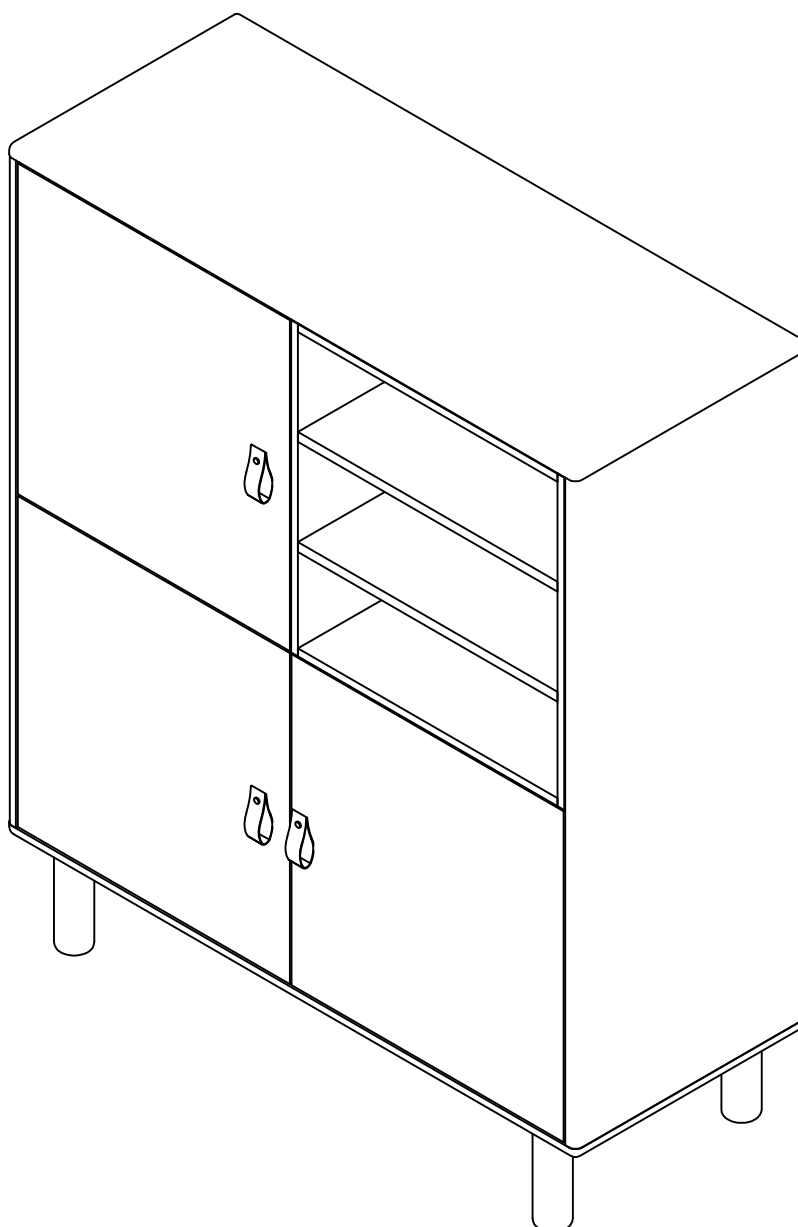
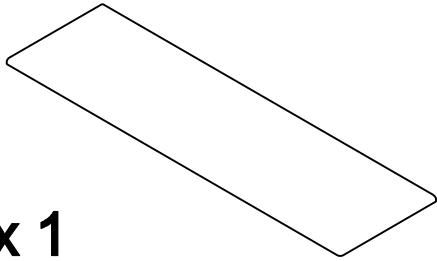


# ASSEMBLY INSTRUCTION

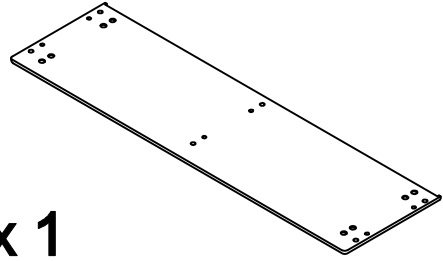


# Hardware List

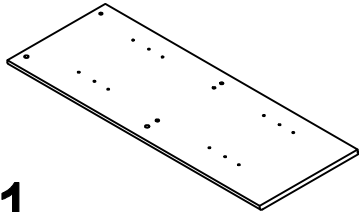
① x 1



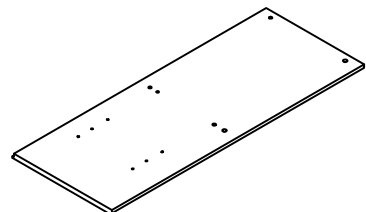
② x 1



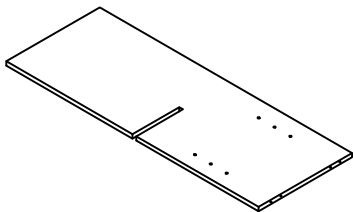
③ x 1



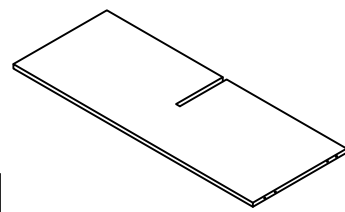
④ x 1



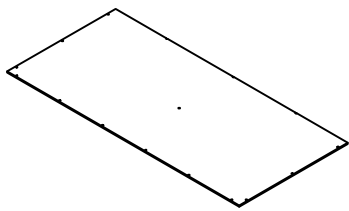
⑤ x 1



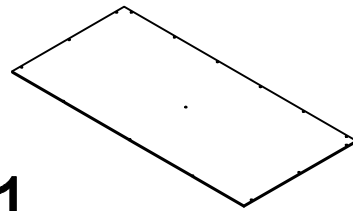
⑥ x 1



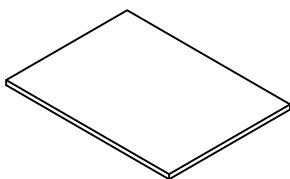
⑦ x 1



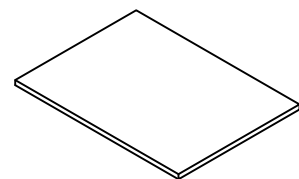
⑧ x 1



⑨ x 2

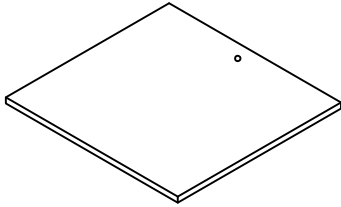


⑩ x 1

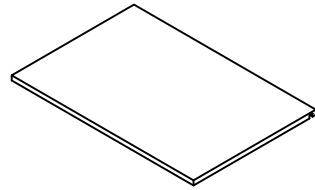


## Hardware List

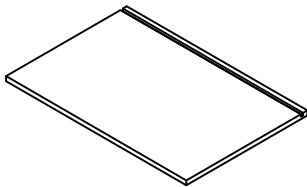
11 x 3



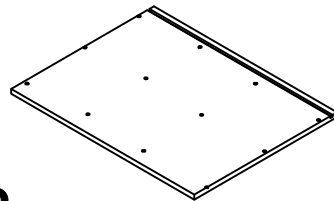
12 x 1



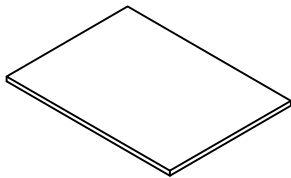
13 x 1



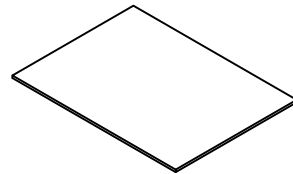
14 x 2



15 x 2



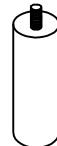
16 x 1



17 x 4



18 x 1



19 x 10



20 x 10

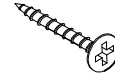


## Hardware List

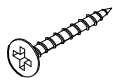
②1 x 16



②2 x 24



②3 x 29



②4 x 3



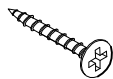
②5 x 3



②6 x 12



②7 x 6



②8 x 6



②9 x 36



③0 x 8



③1 x 8



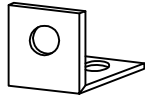
③2 x 8



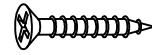
③3 x 1



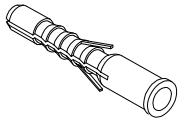
# Tip Restraint Kit



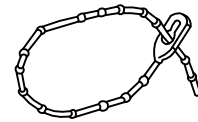
**a x 4**



**b x 8**

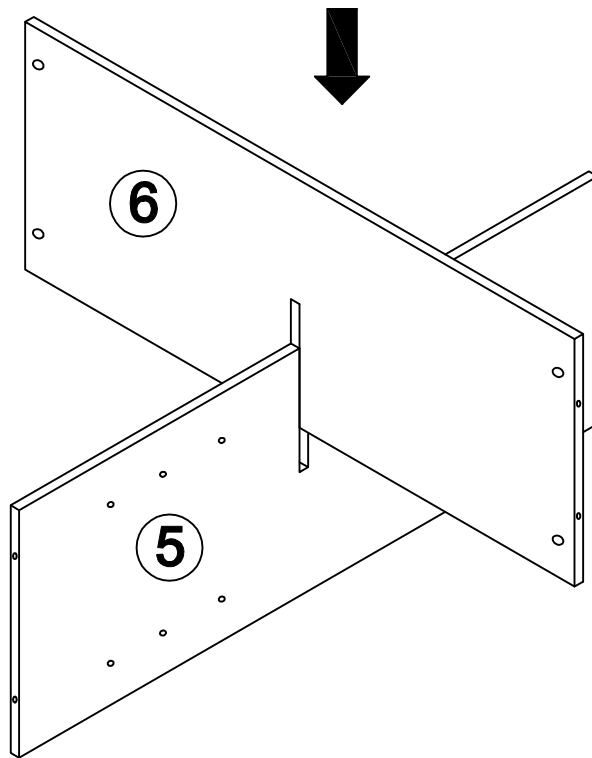


**C x 2**

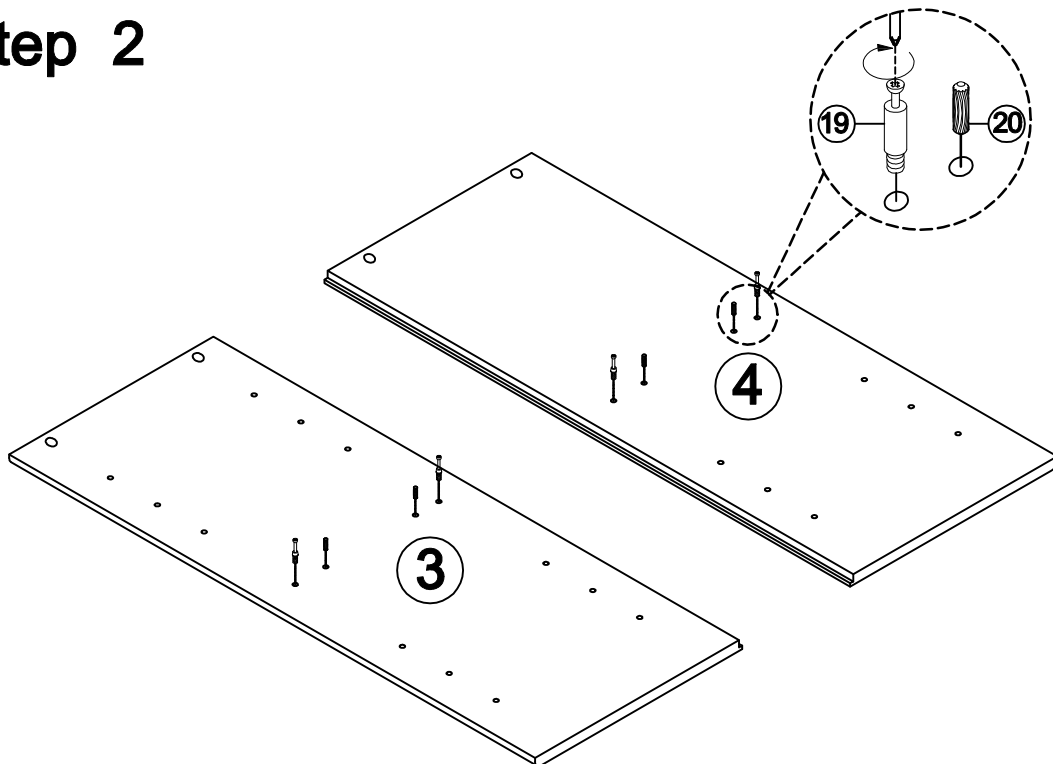


**D x 2**

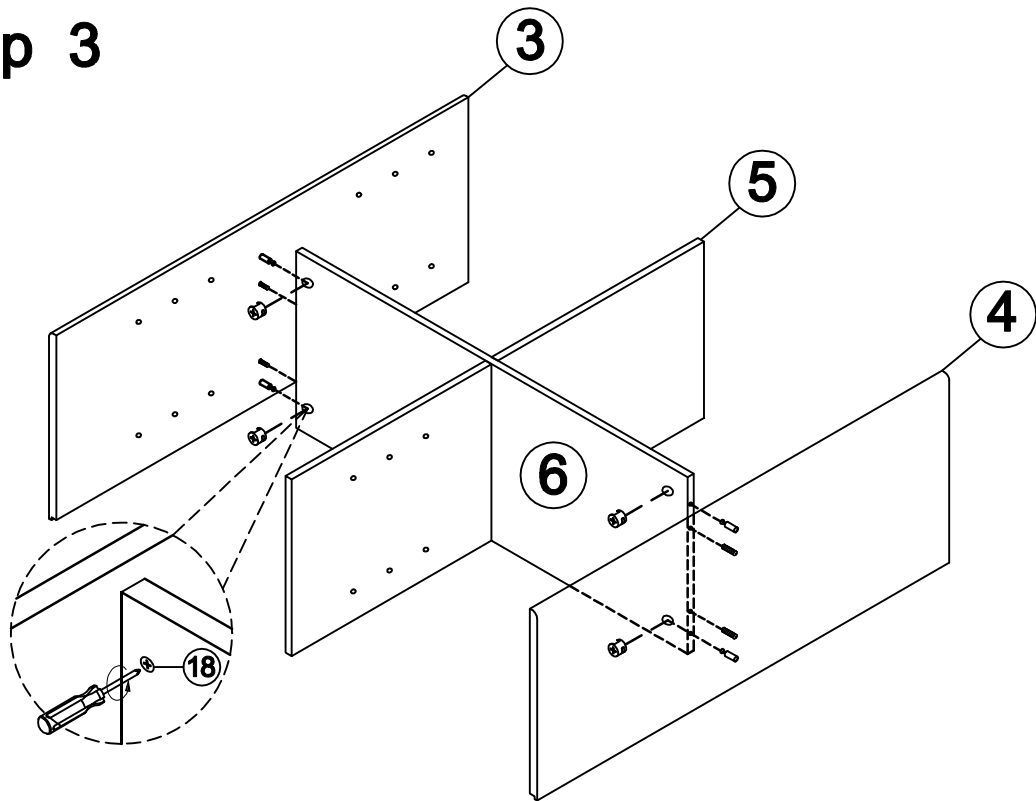
**step 1**



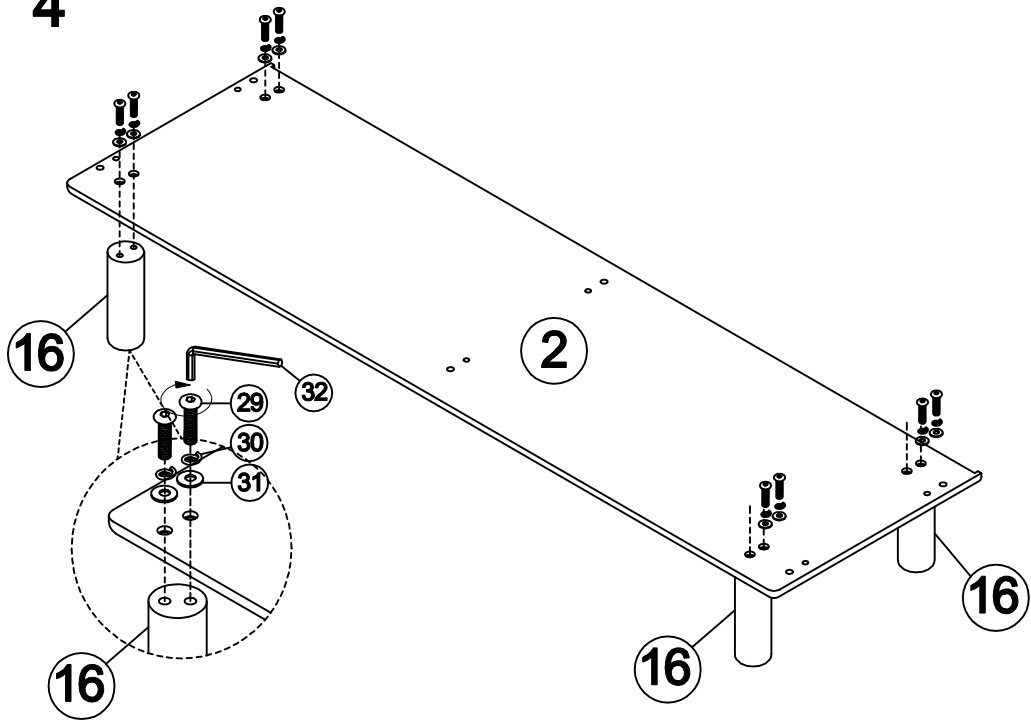
**step 2**



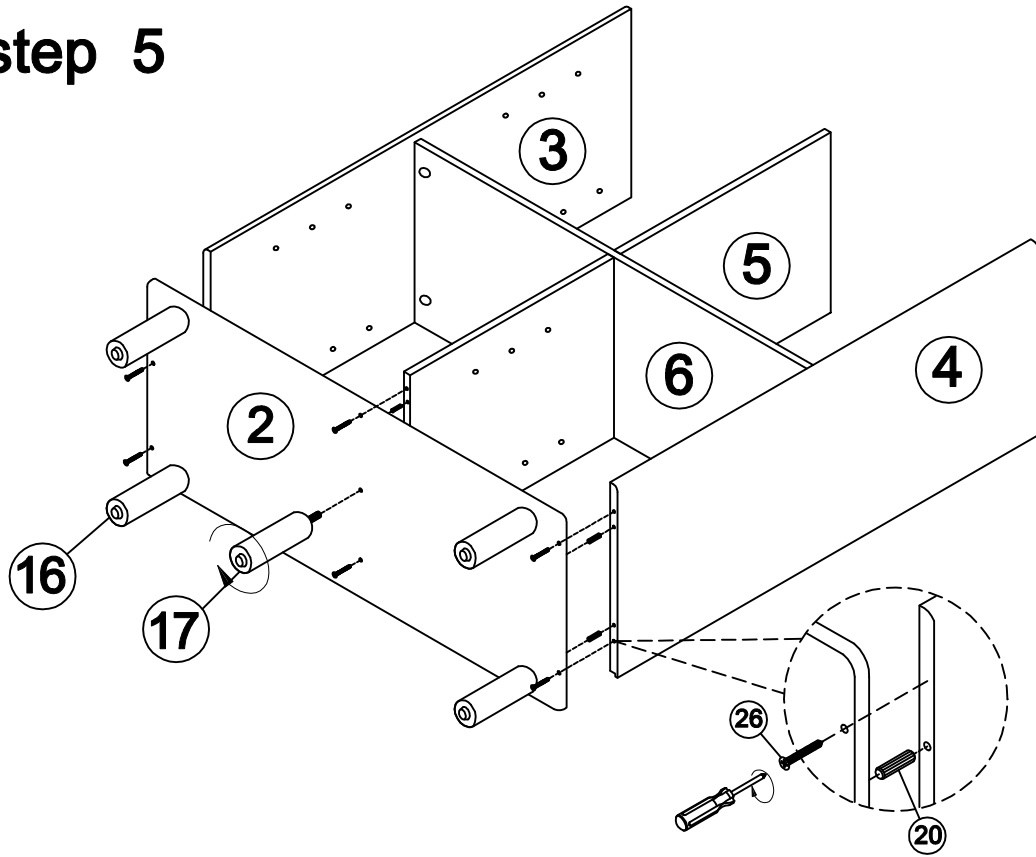
### step 3



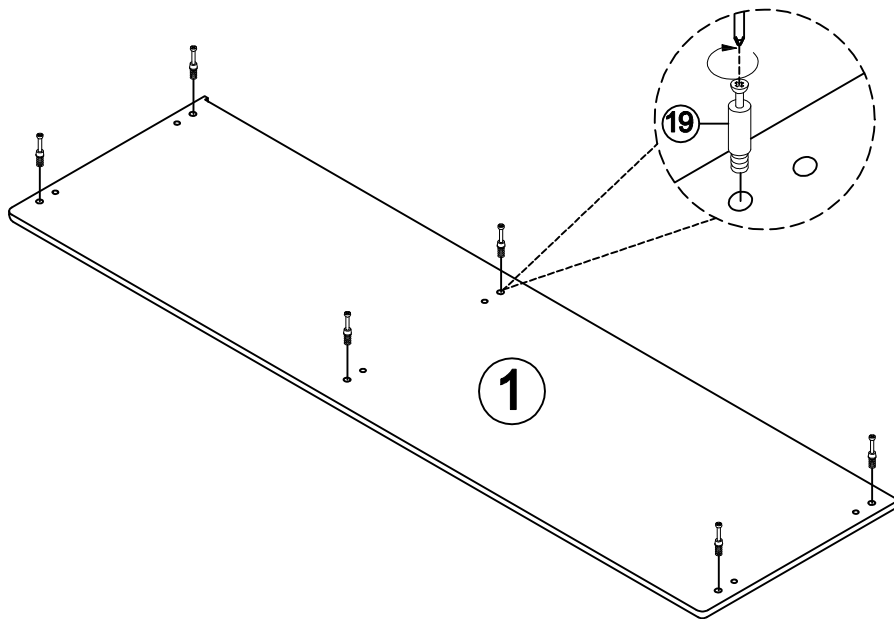
### step 4



## step 5

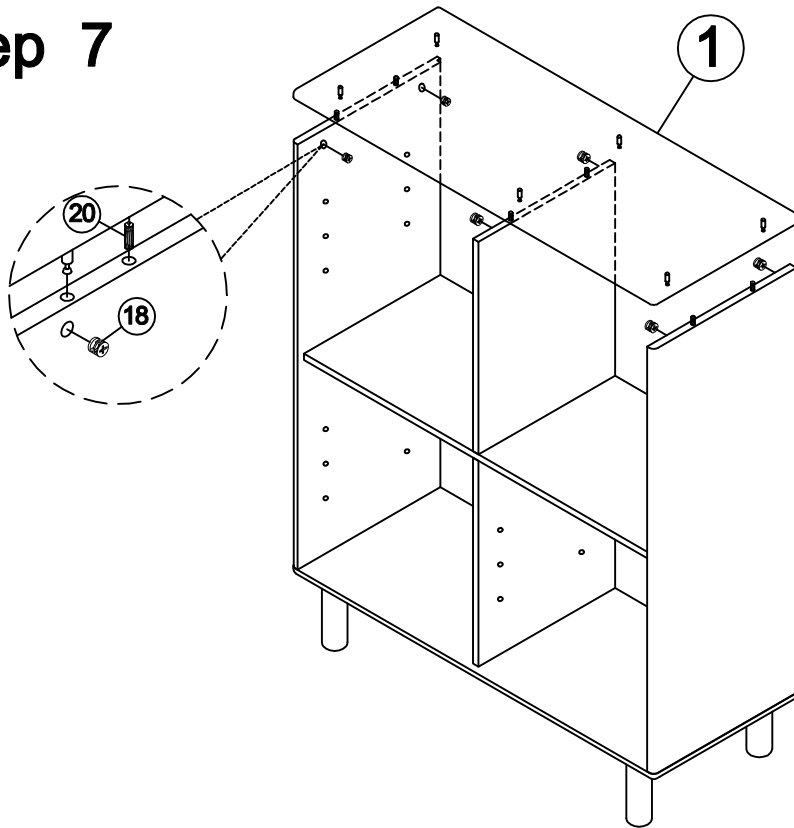


## step 6

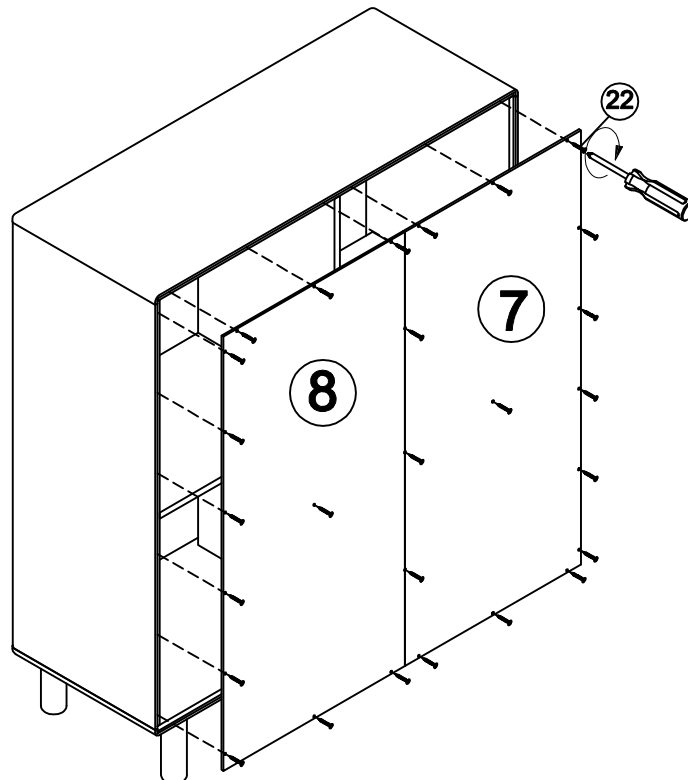




**step 7**

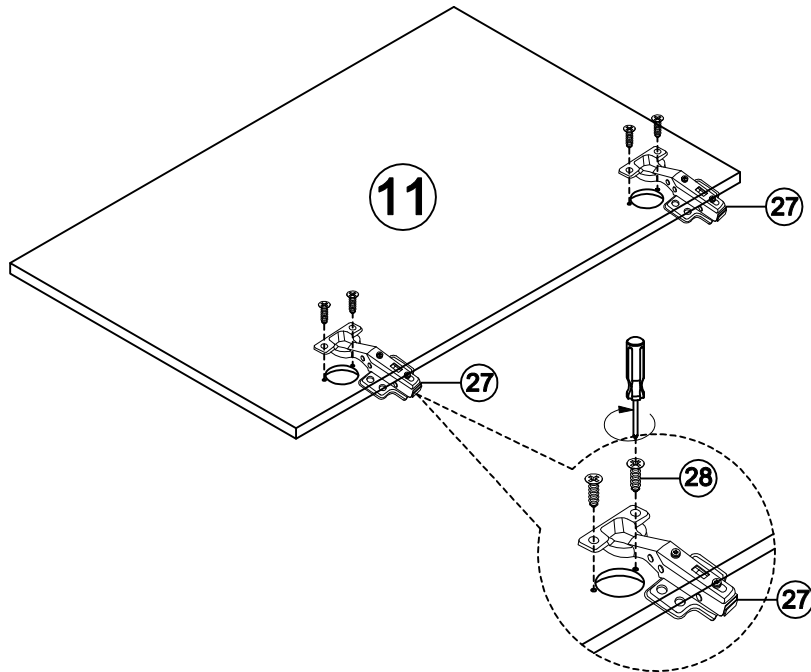


**step 8**

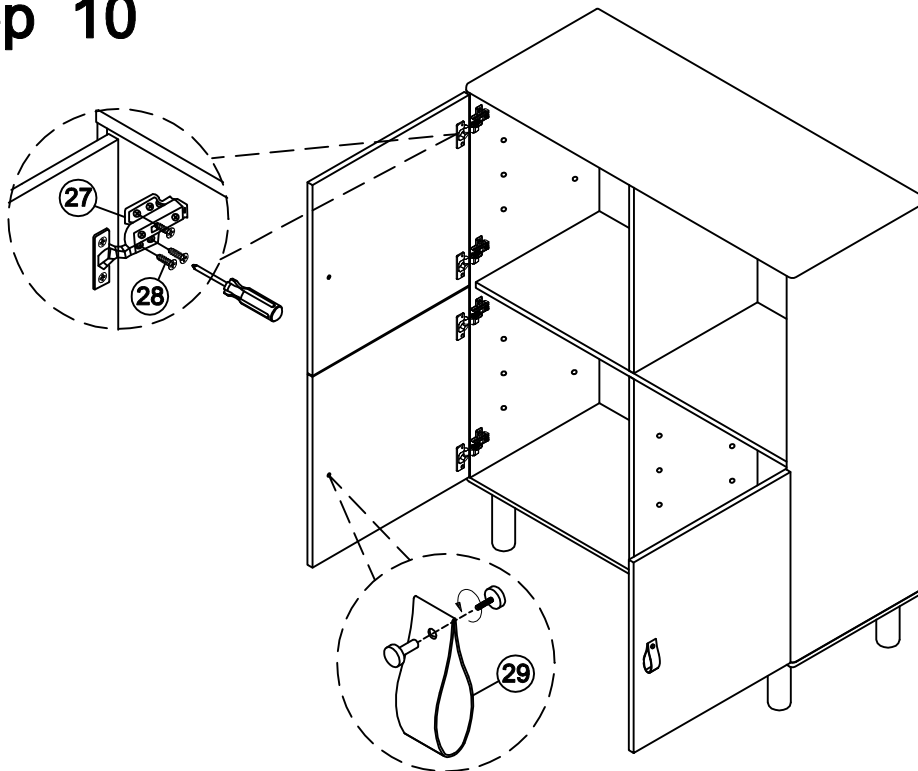


step 9

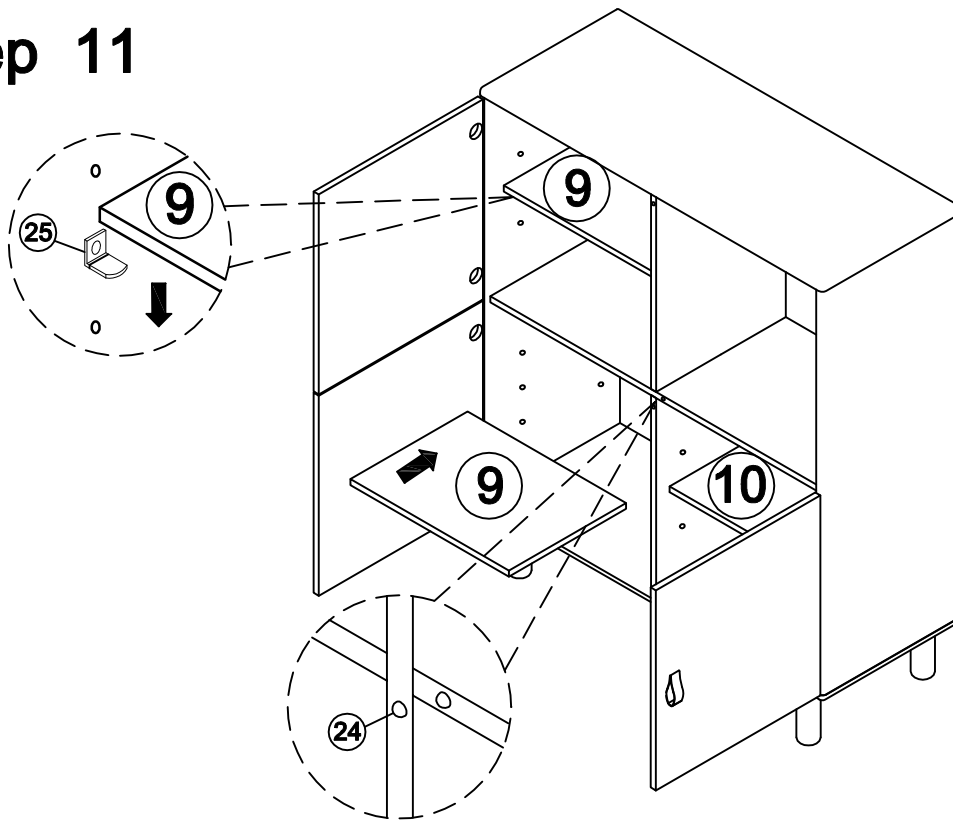
X 3



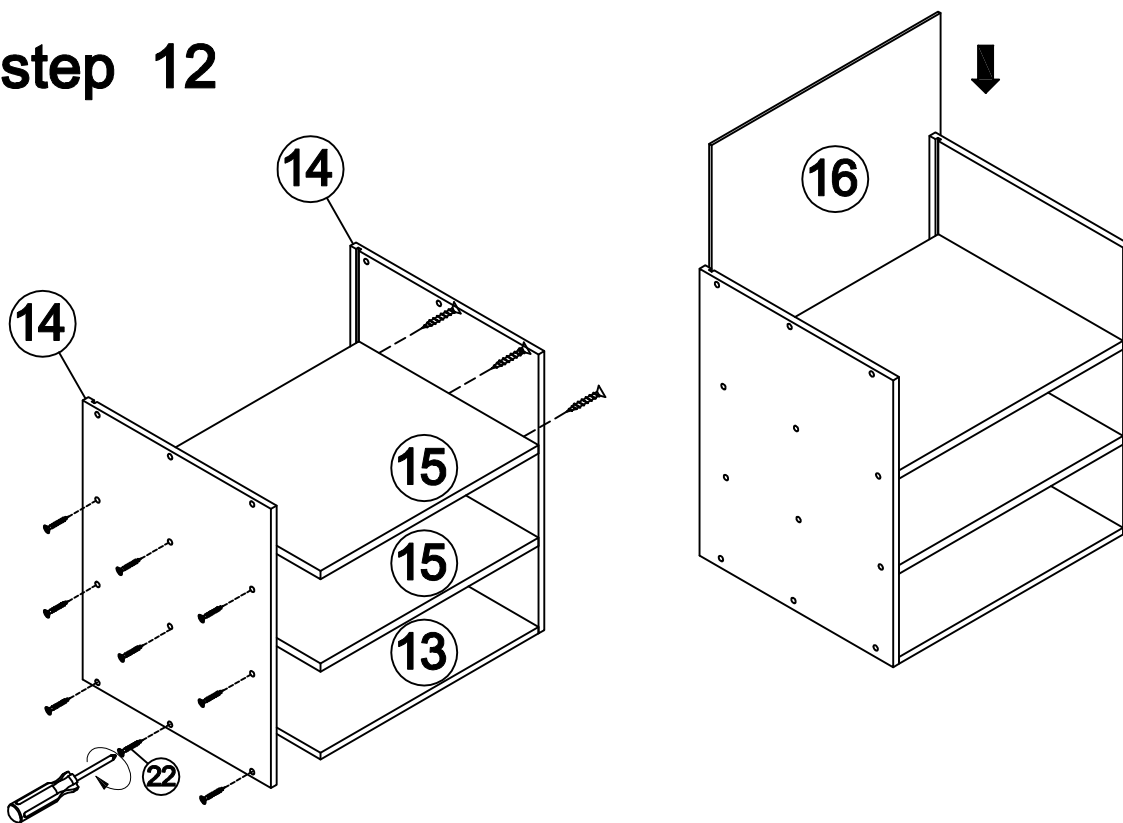
step 10



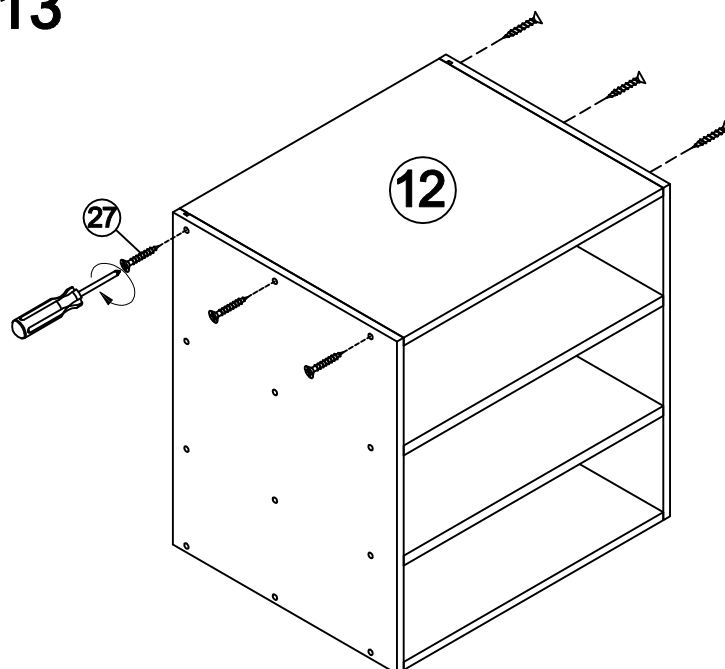
## step 11



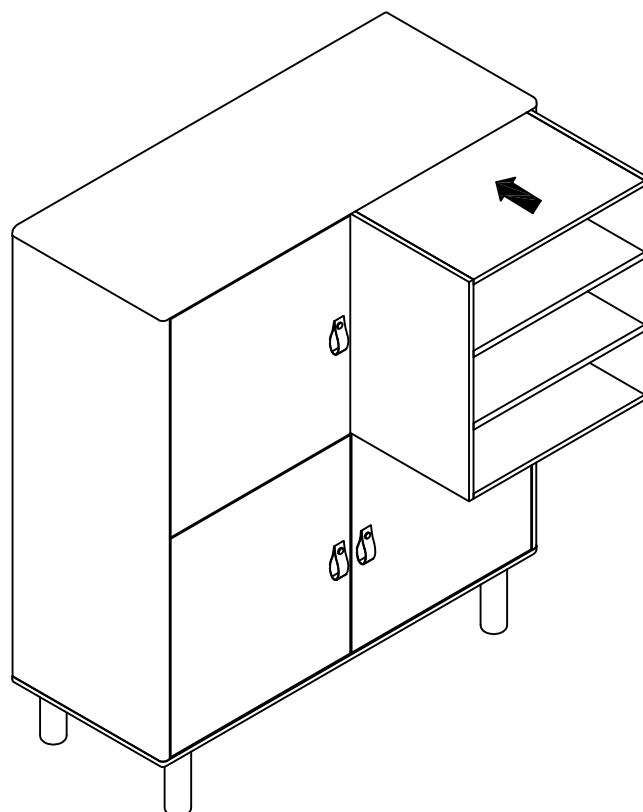
## step 12



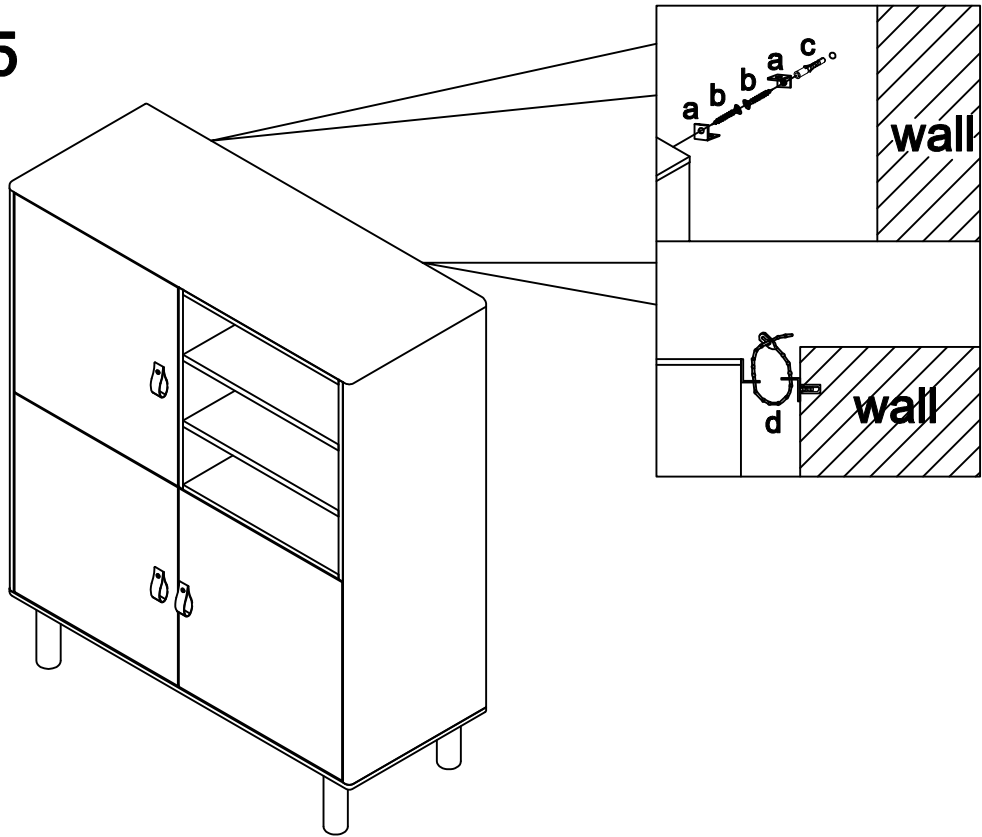
## step 13



## step 14



**step 15**



**step 16**

