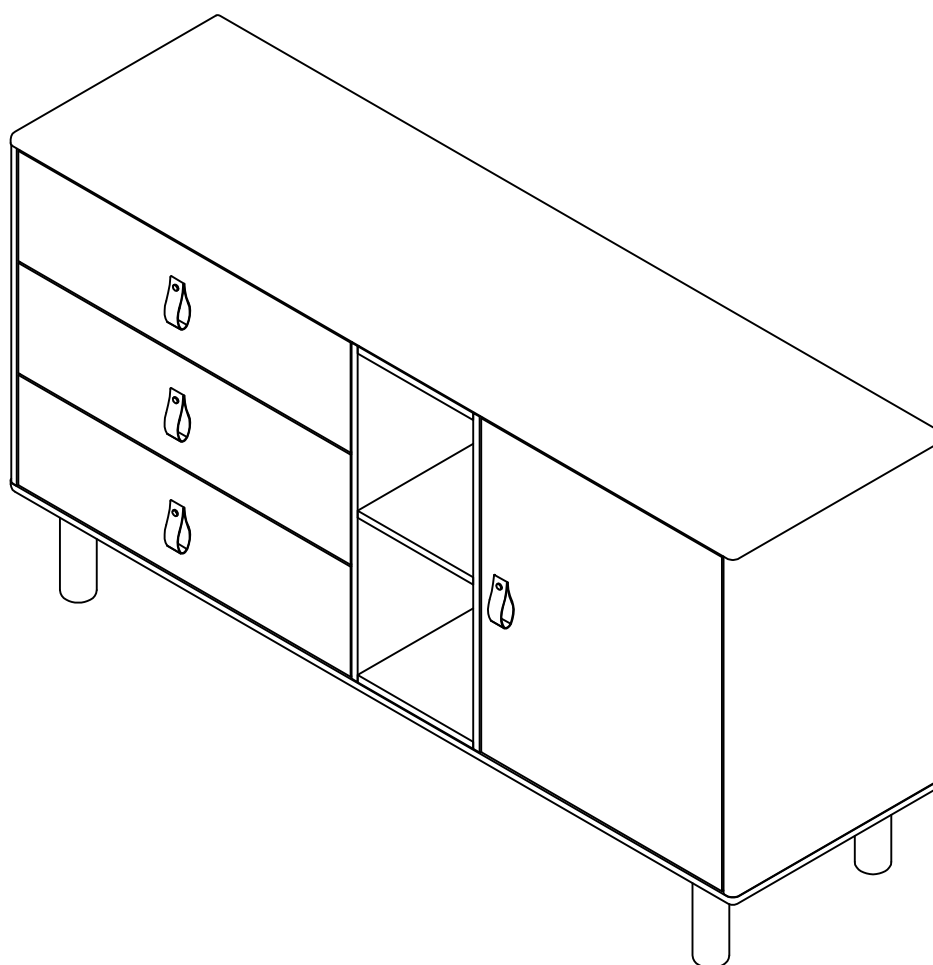
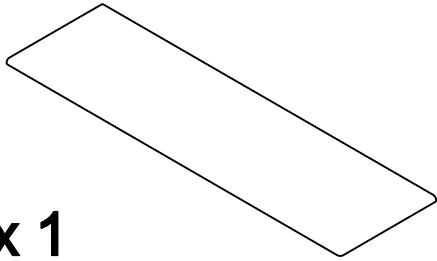


# ASSEMBLY INSTRUCTION

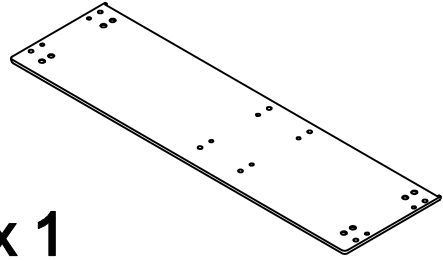


# Hardware List

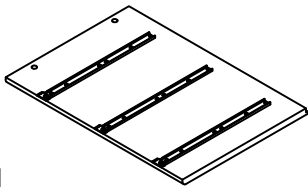
① x 1



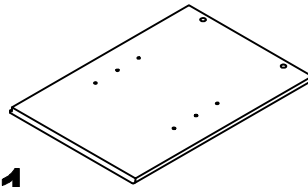
② x 1



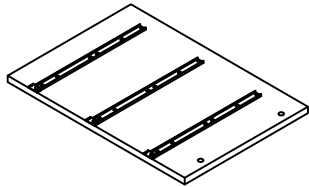
③ x 1



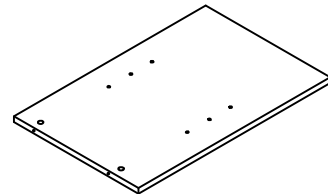
④ x 1



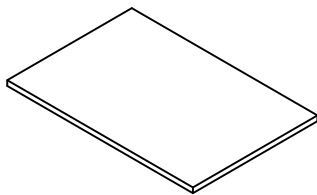
⑤ x 1



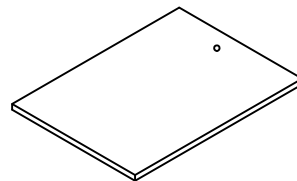
⑥ x 1



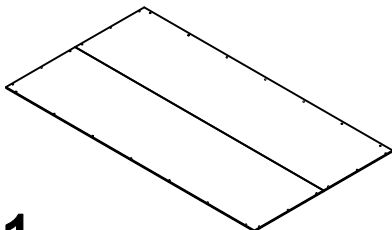
⑦ x 1



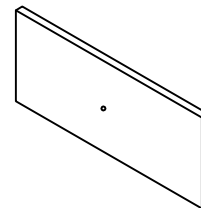
⑧ x 1



⑨ x 1

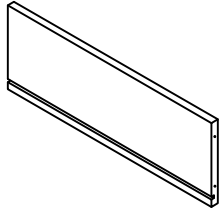


⑩ x 3

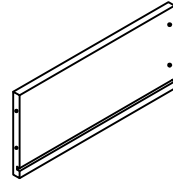


# Hardware List

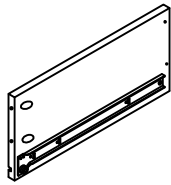
11 x 3



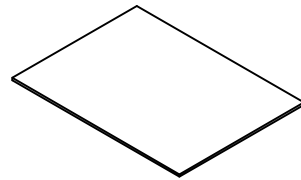
12 x 3



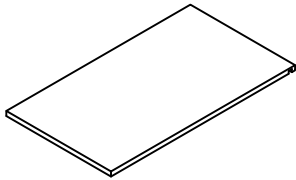
13 x 3



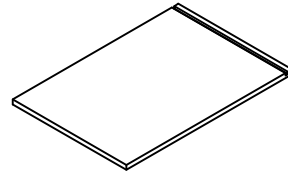
14 x 3



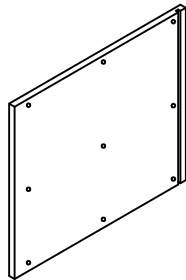
15 x 1



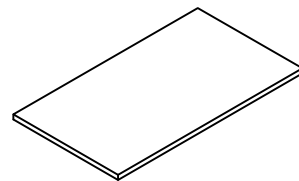
16 x 1



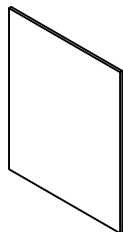
17 x 2



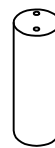
18 x 1



19 x 1



20 x 4



## Hardware List

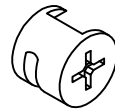
21 x 1



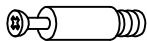
22 x 12



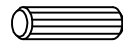
23 x 8



24 x 20



25 x 16



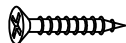
26 x 8



27 x 30



28 x 22



29 x 4



30 x 4



31 x 1



32 x 2



33 x 12



34 x 8

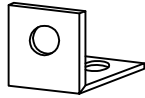


35 x 8

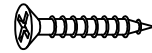




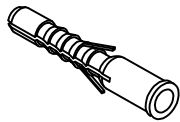
# Tip Restraint Kit



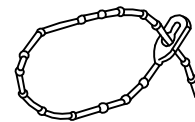
**a x 4**



**b x 4**

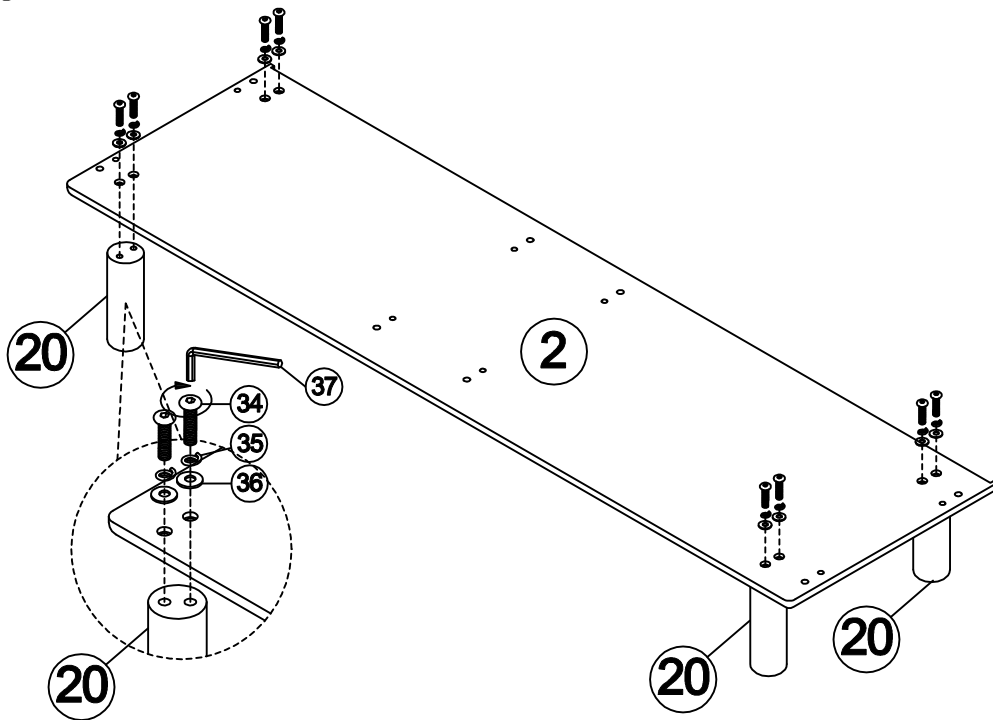


**C x 2**

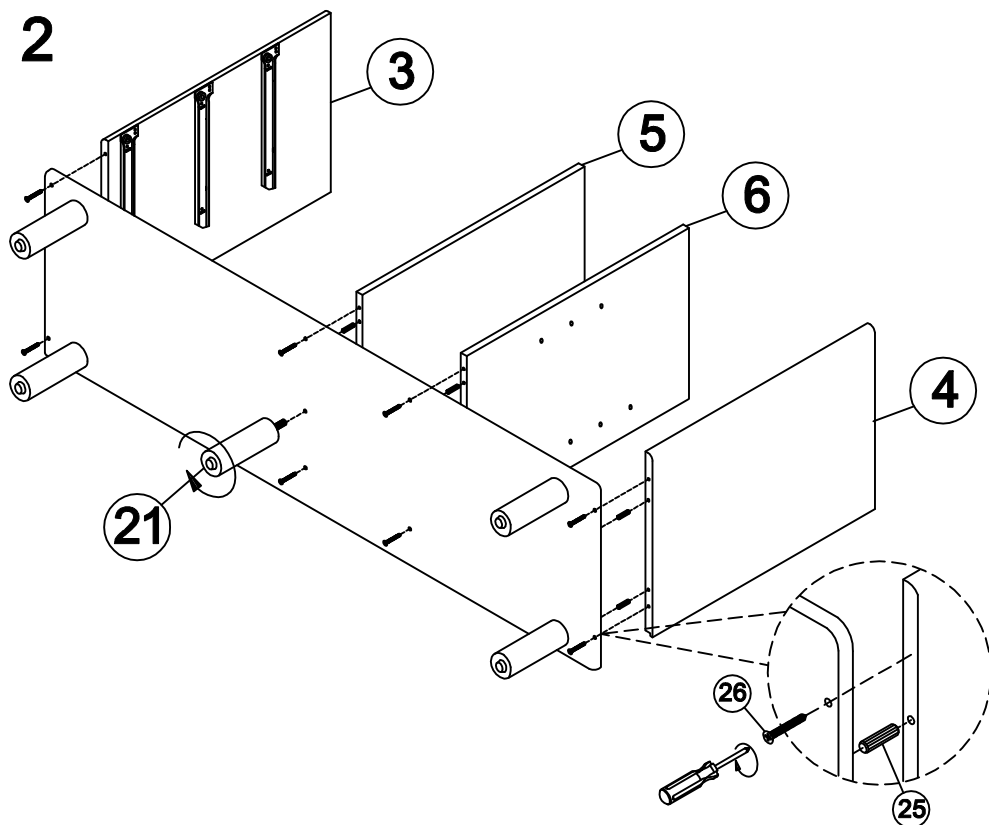


**D x 2**

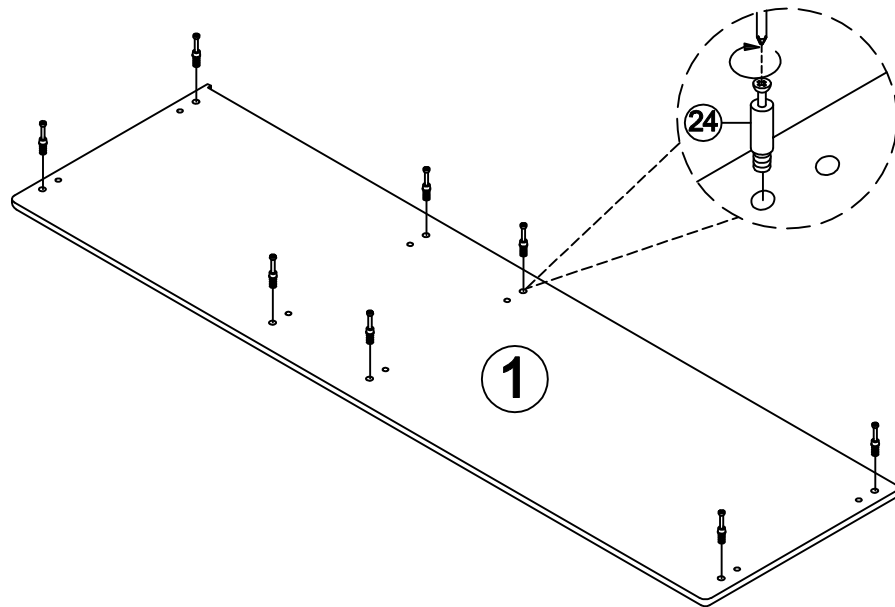
## step 1



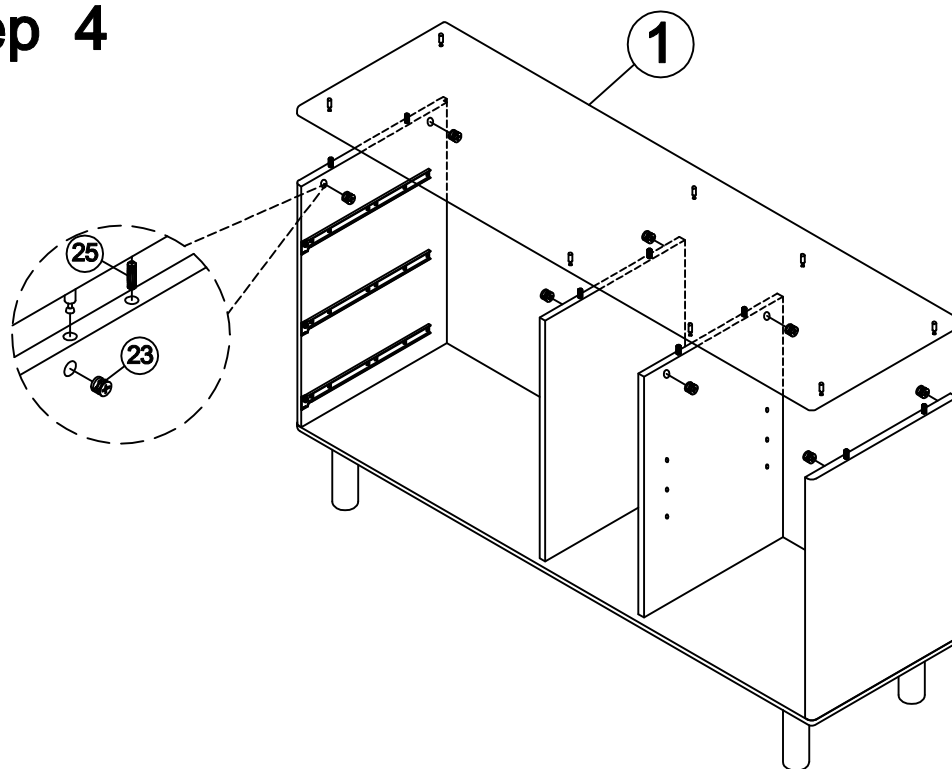
## step 2



### step 3

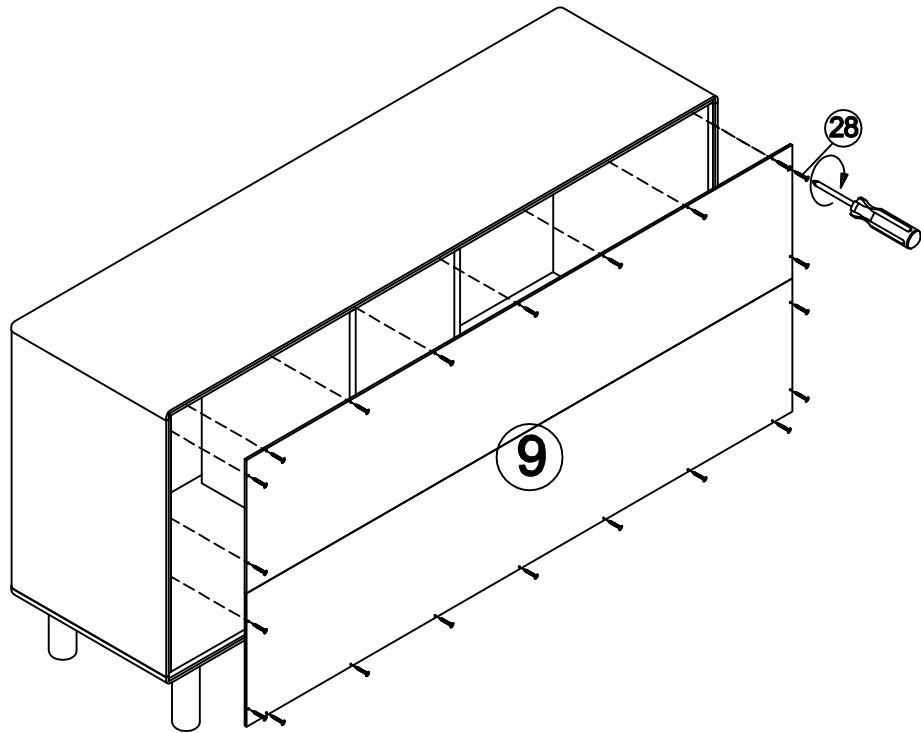


### step 4

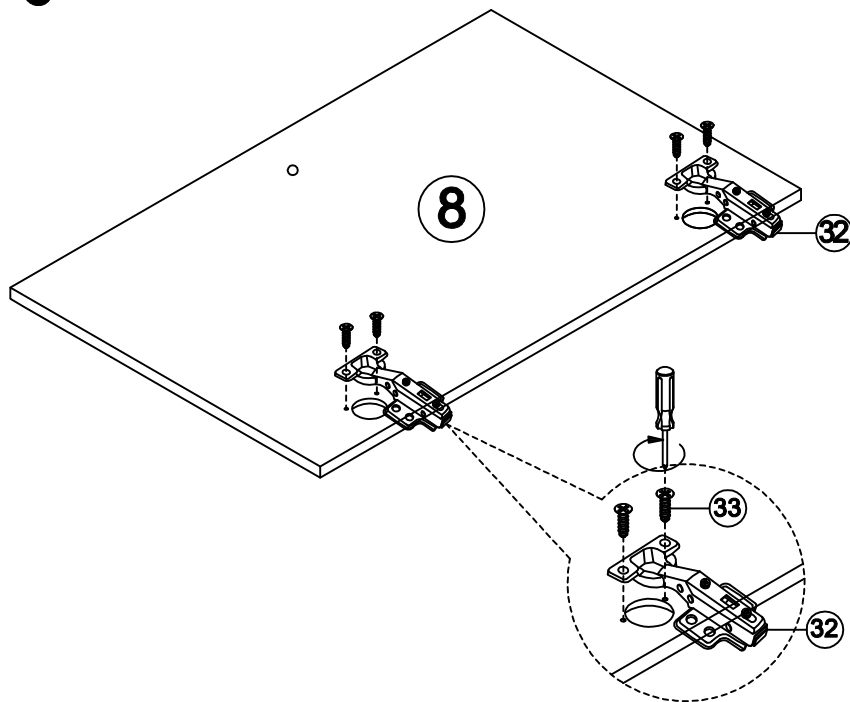




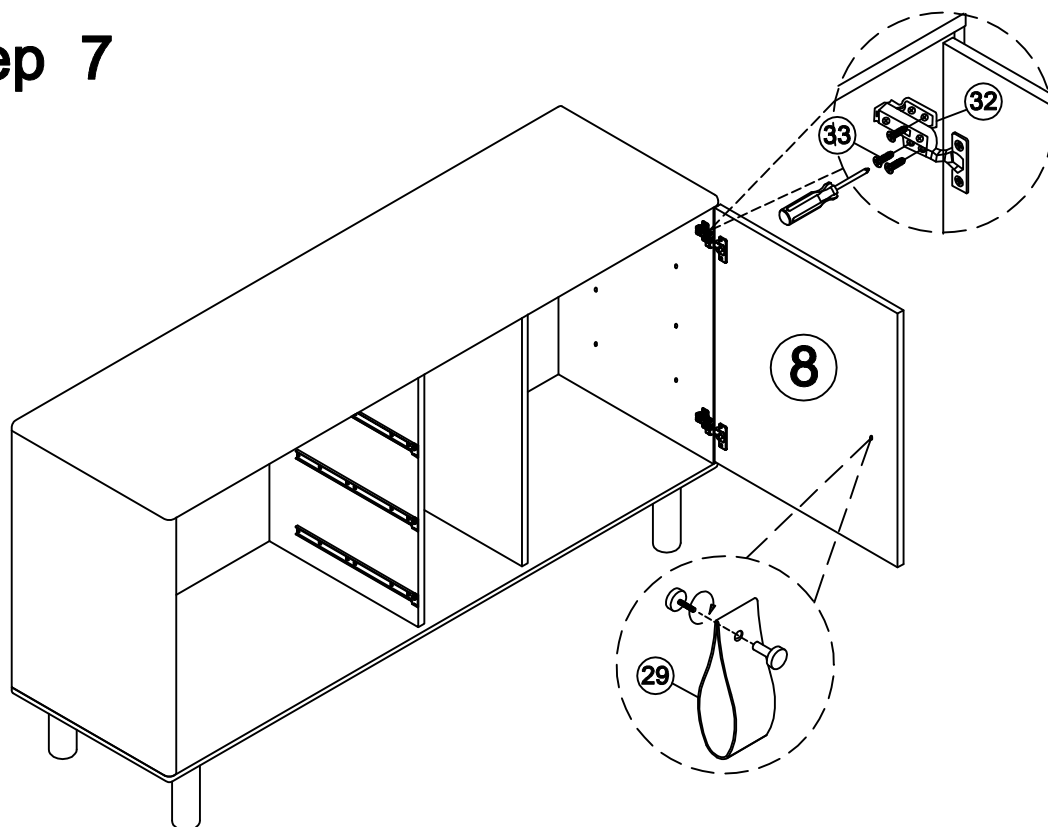
## step 5



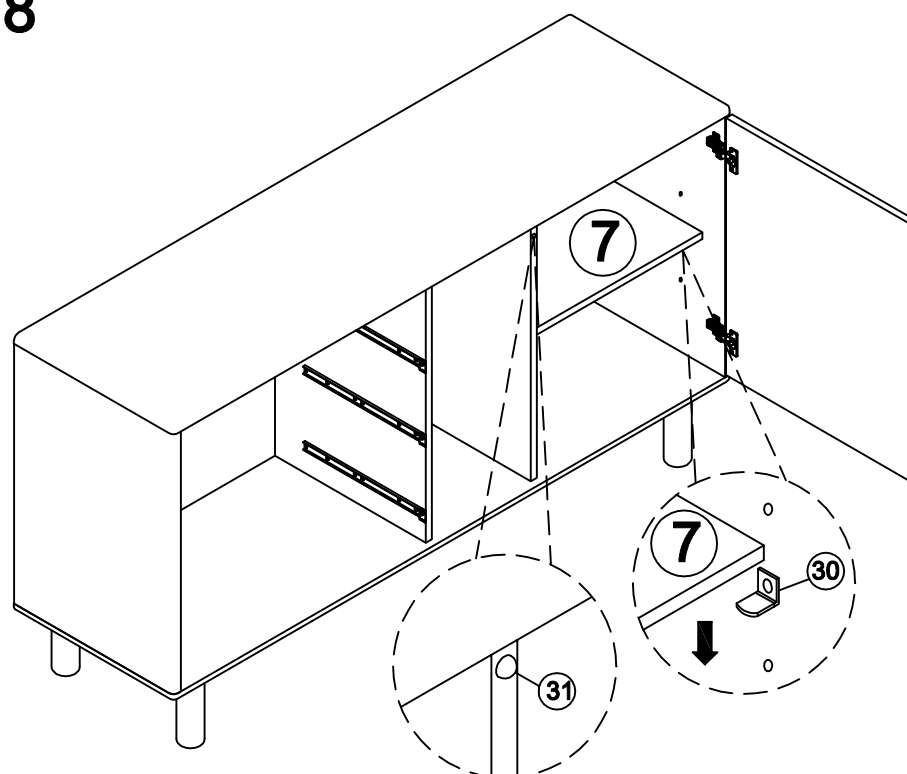
## step 6



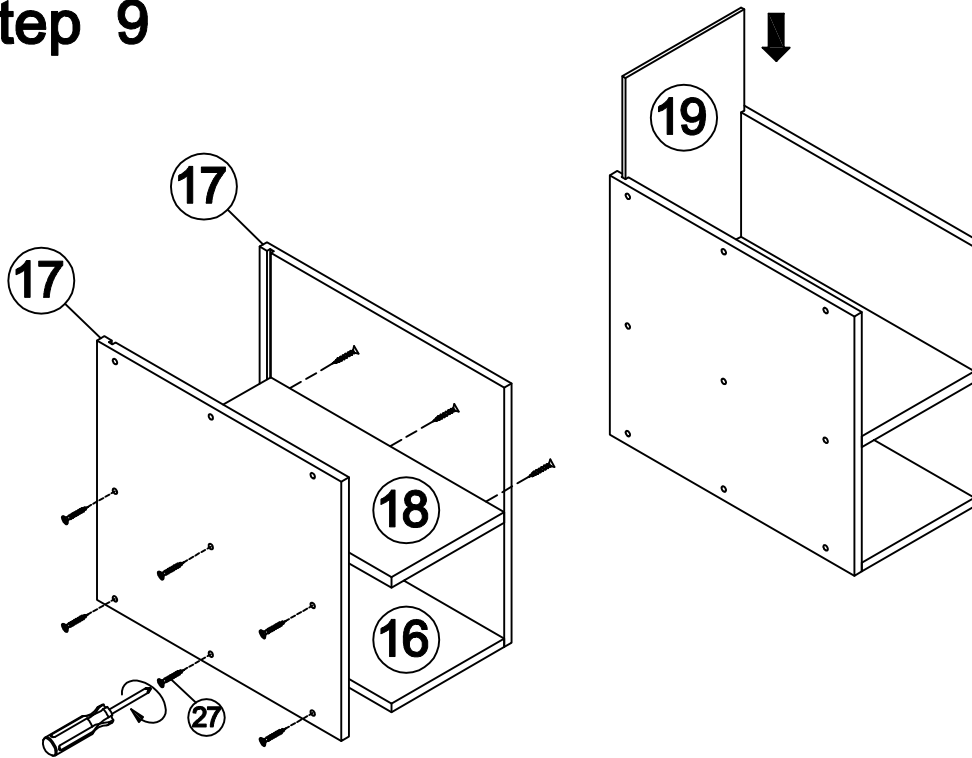
## step 7



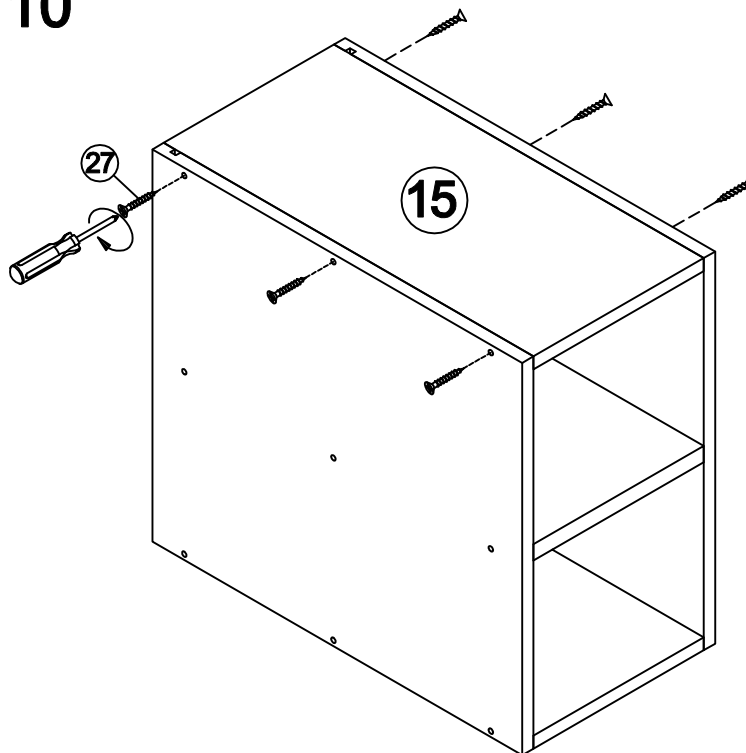
## step 8



## step 9

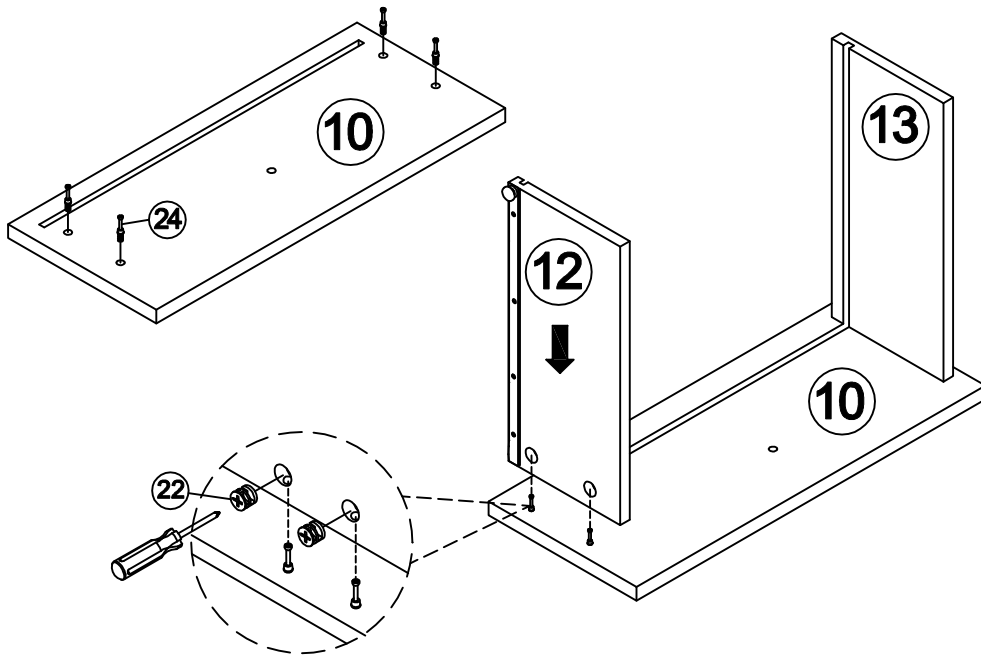


## step 10



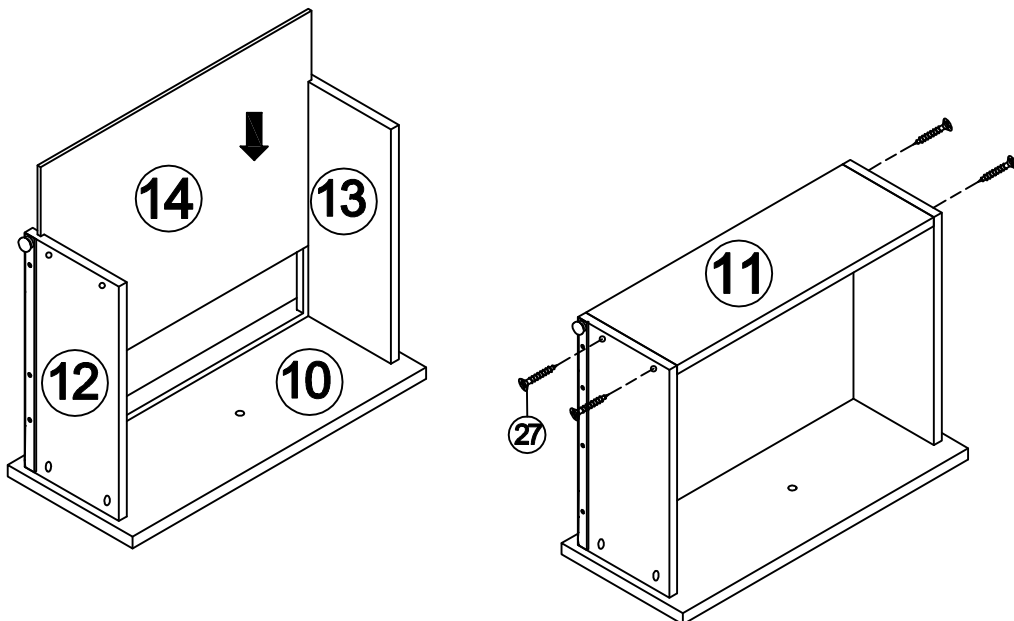
step 11

X 3



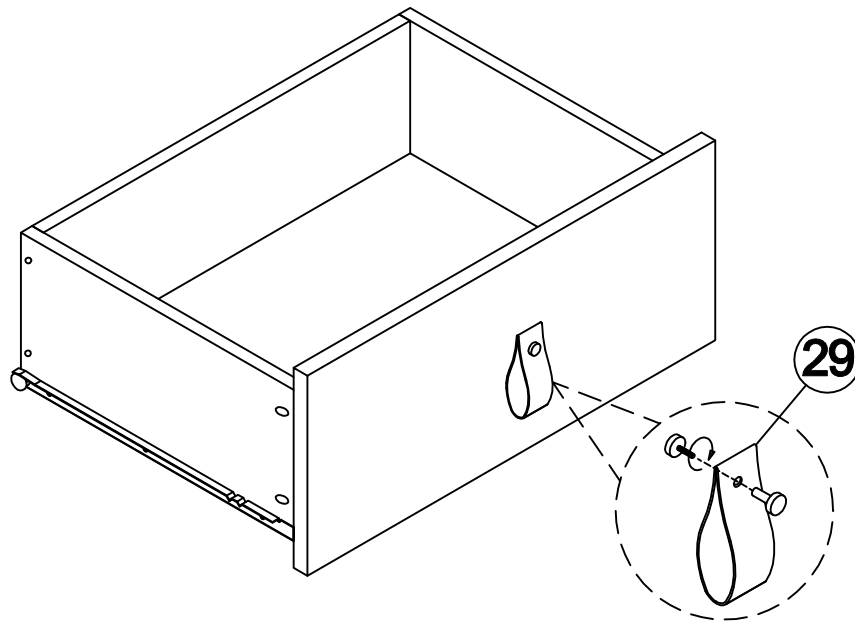
step 12

X 3

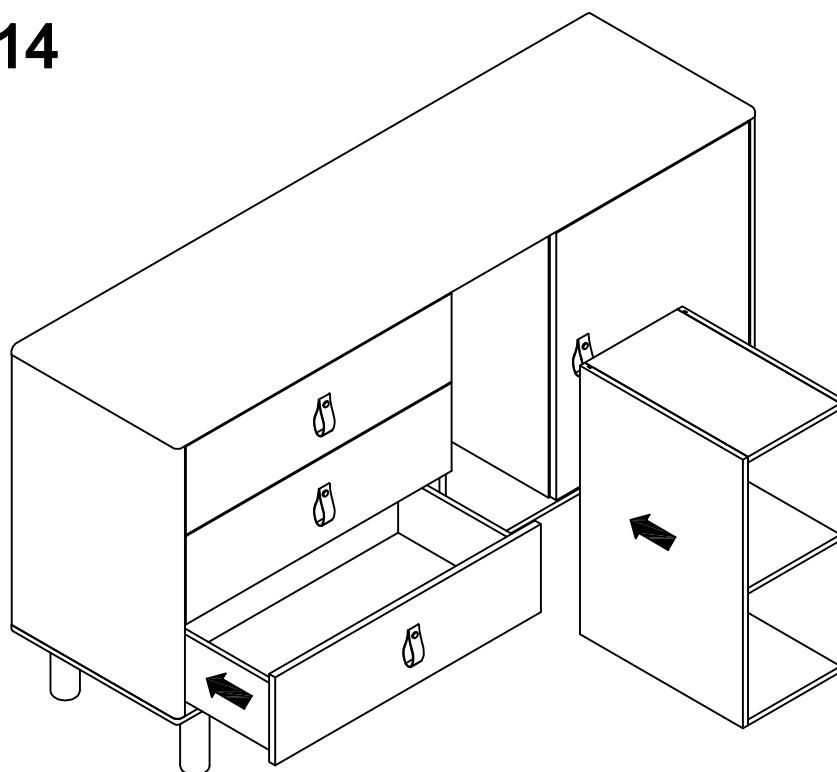


step 13

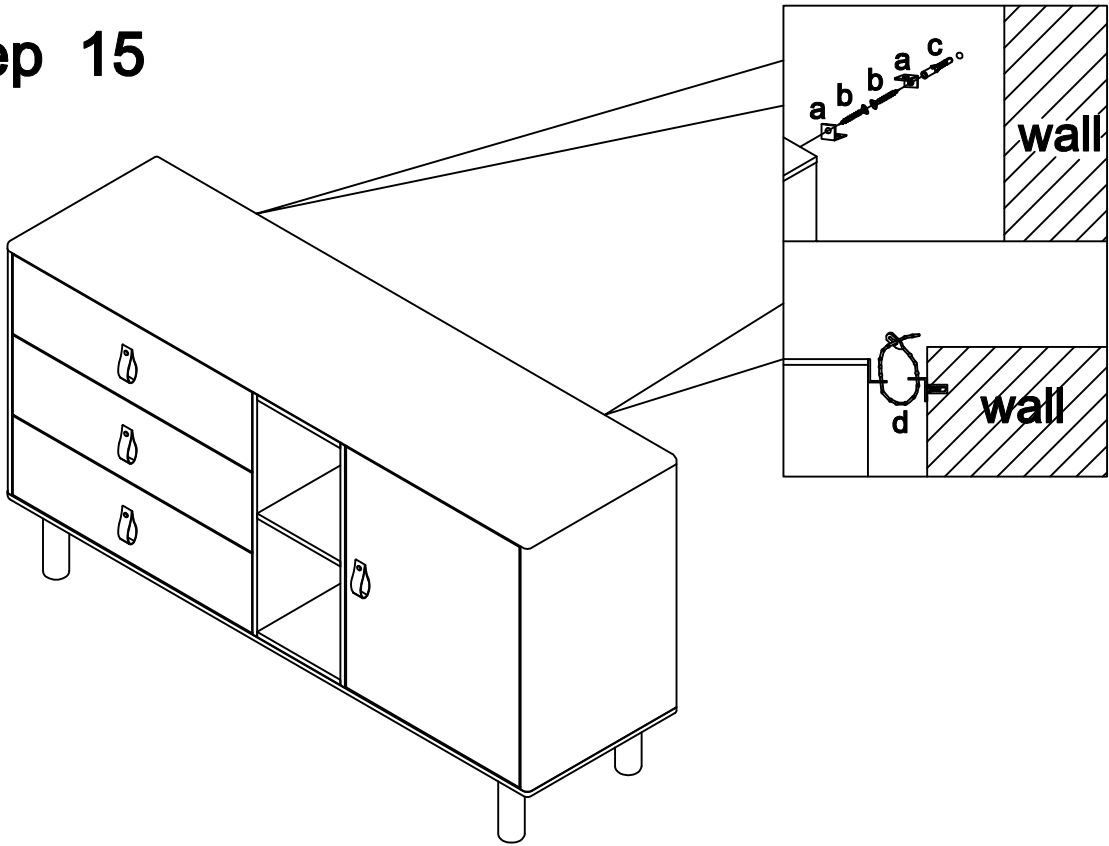
X 3



step 14



**step 15**



**step 16**

