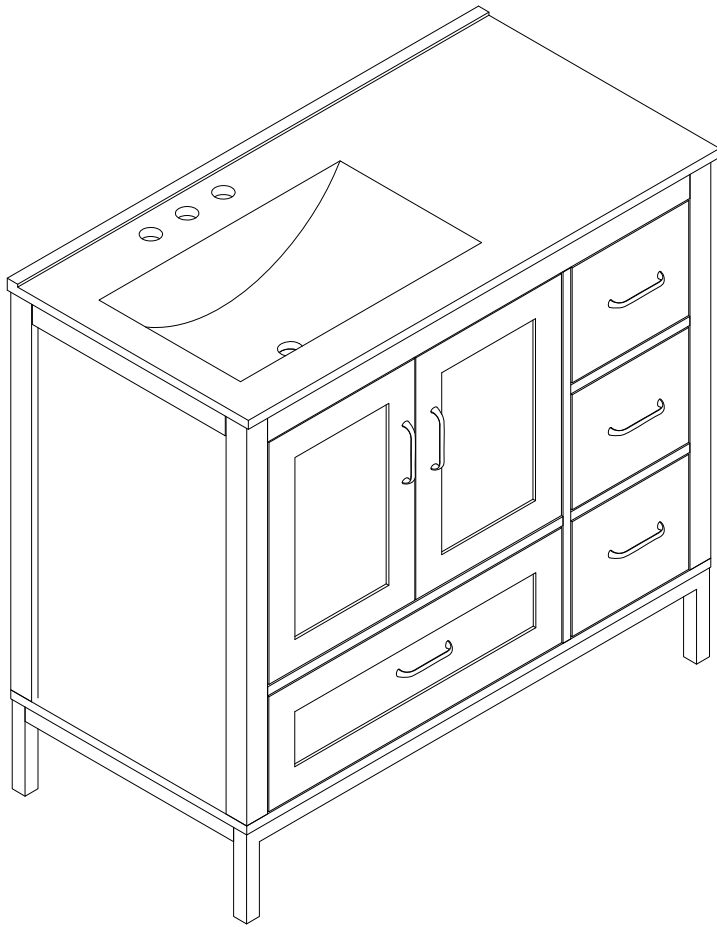
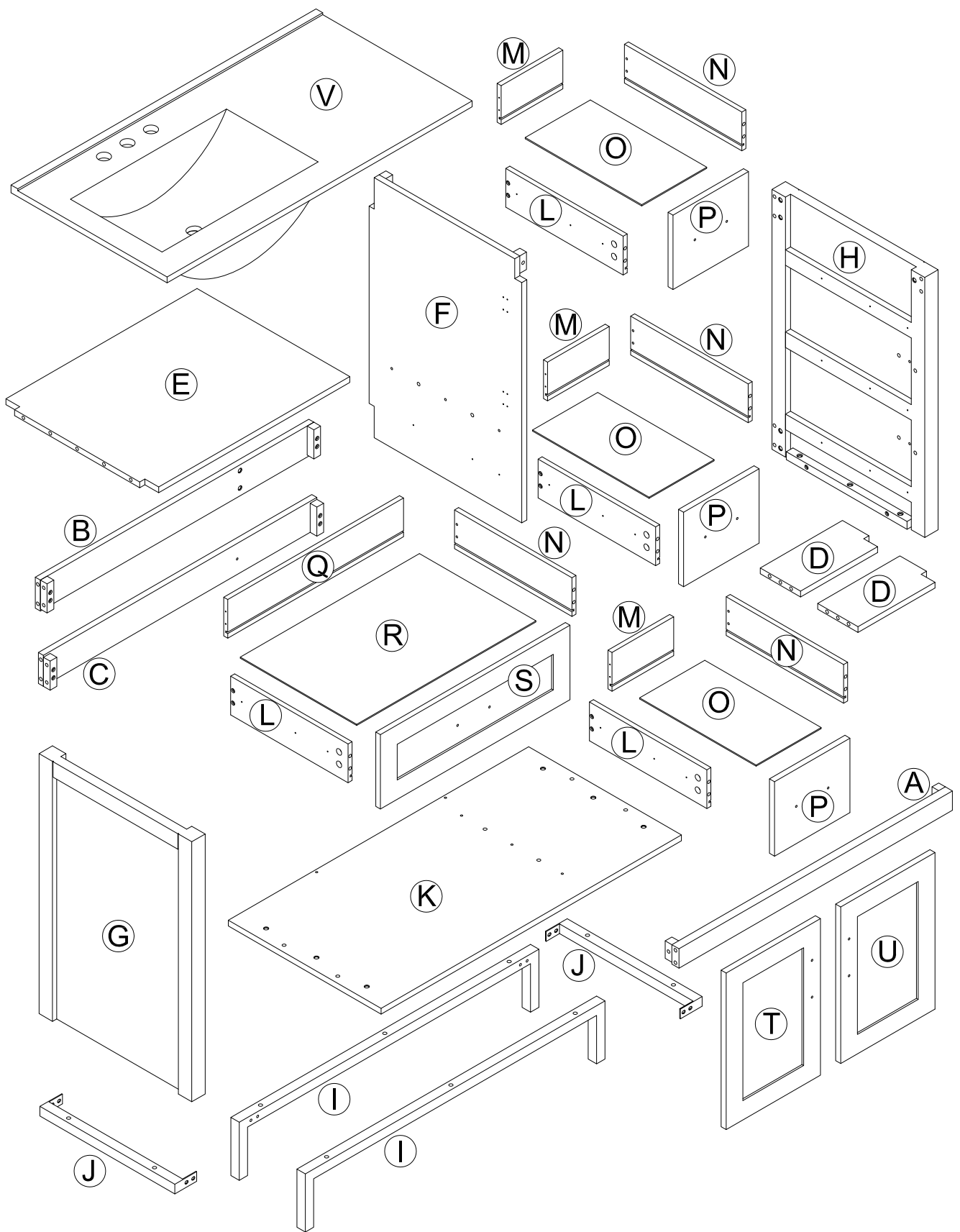
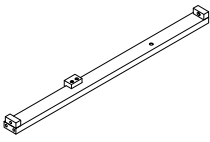
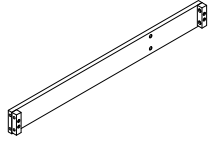
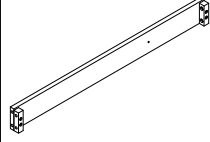
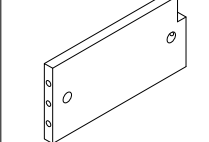
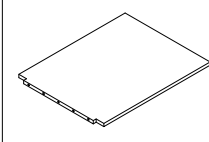
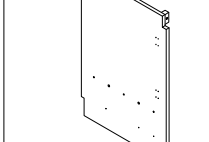
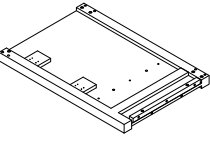
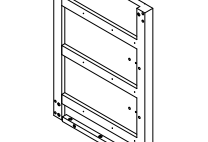
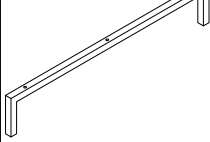
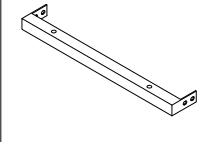
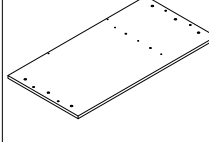
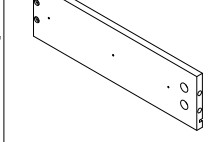
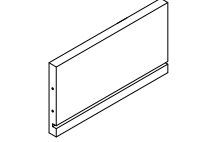
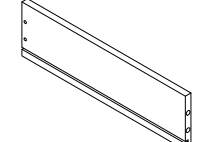
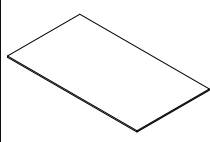
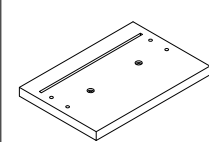
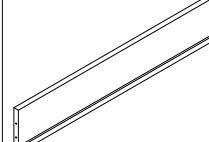
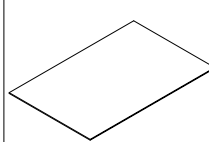
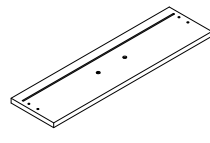
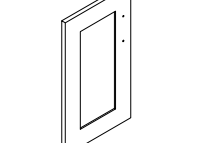
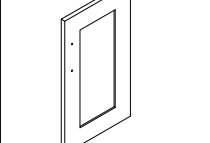
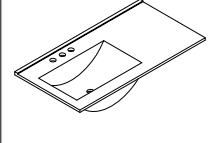


CXY2369-01
CXY2369-02

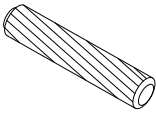
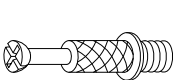
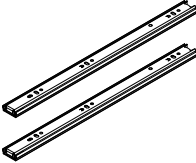

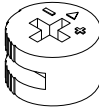
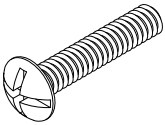
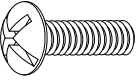
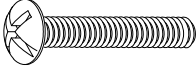
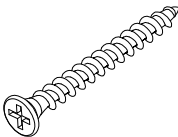
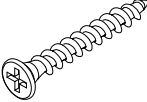


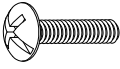

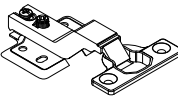
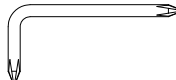
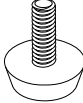




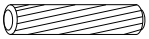
PRODUCT PARTS:

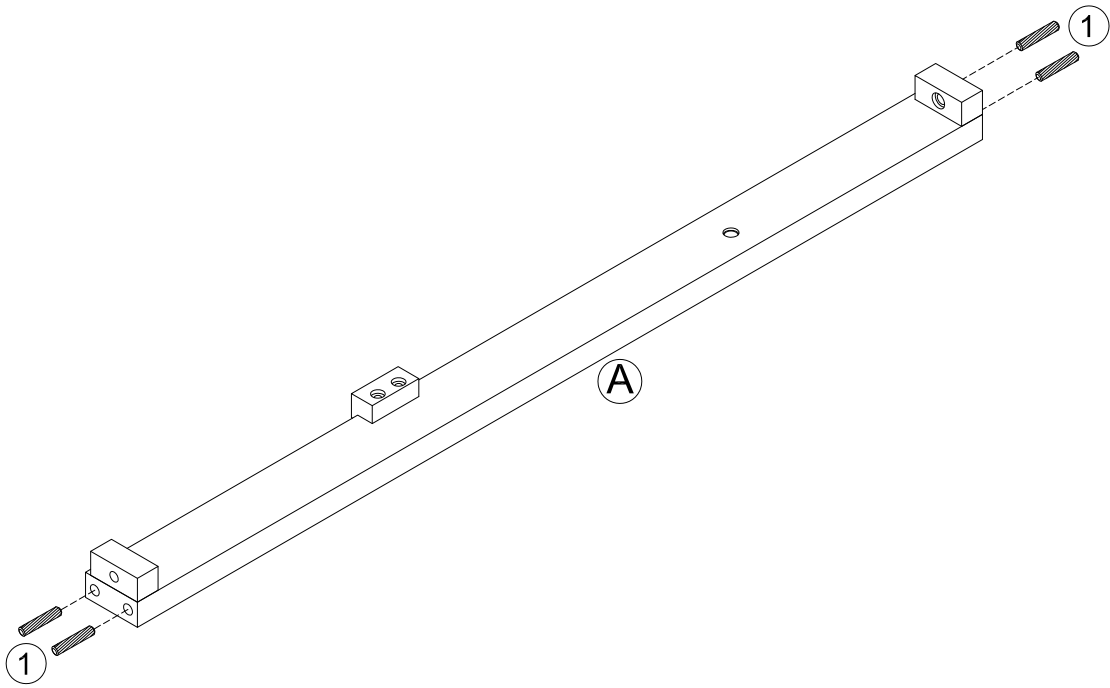
A	B	C	D	E	F
					
1PC	1PC	1PC	2PCS	1PC	1PC
G	H	I	J	K	L
					
1PC	1PC	2PCS	2PCS	1PC	4PCS
M	N	O	P	Q	R
					
3PCS	4PCS	3PCS	3PCS	1PC	1PC
S	T	U	V		
					
1PC	1PC	1PC	1PC		

HARDWARE:

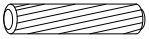
①	②	③	④	⑤	⑥
					
Ø8x30mm	Ø6x33mm	14"x35mm	Ø3x10mm	Ø15x9mm	1/4"x25mm
30+2 PCS	26+2 PCS	4 SET	48+2 PCS	26+2 PCS	19+1PCS
⑦	⑧	⑨	⑩	⑪	⑫
					
1/4"x15mm	1/4"x35mm	Ø4x35mm	Ø4x25mm	5/32"x18mm	6PCS
8 PCS	10 PCS	6 PCS	16+1PCS	10+1PCS	6PCS
⑬	⑭	⑮	⑯	⑰	
					
5/32"x15mm	Ø4x12mm			1/4"x15mm	
2 PCS	24+2PCS	4PCS	1PC	4PCS	

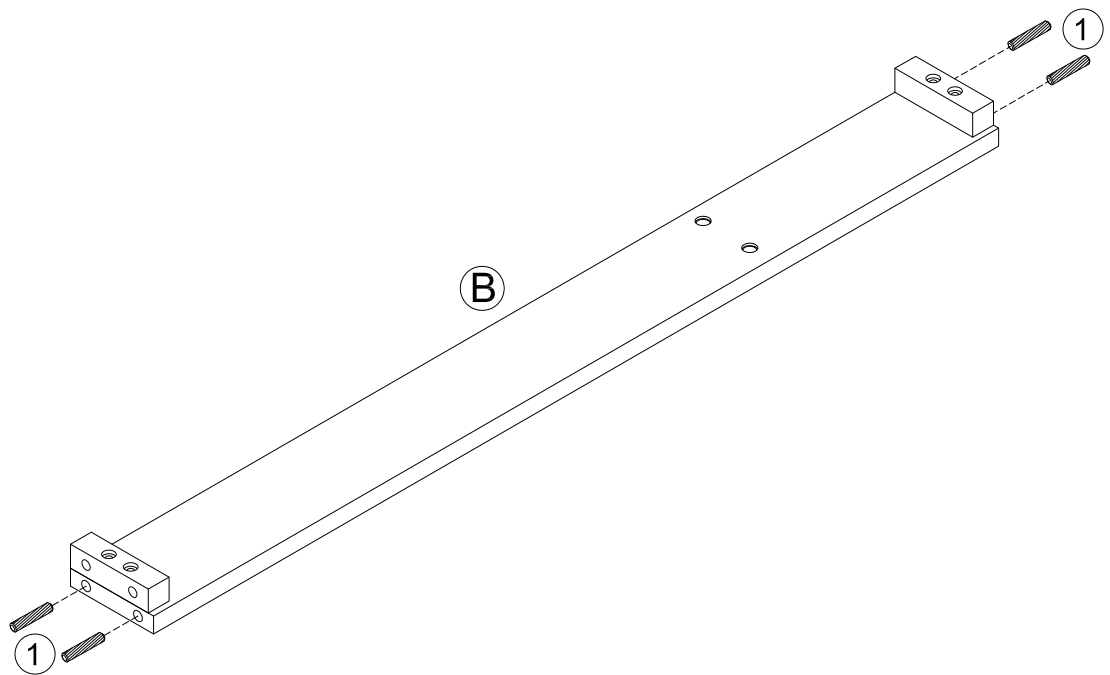
STEP 1

①  4pcs
Ø8x30mm

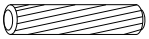


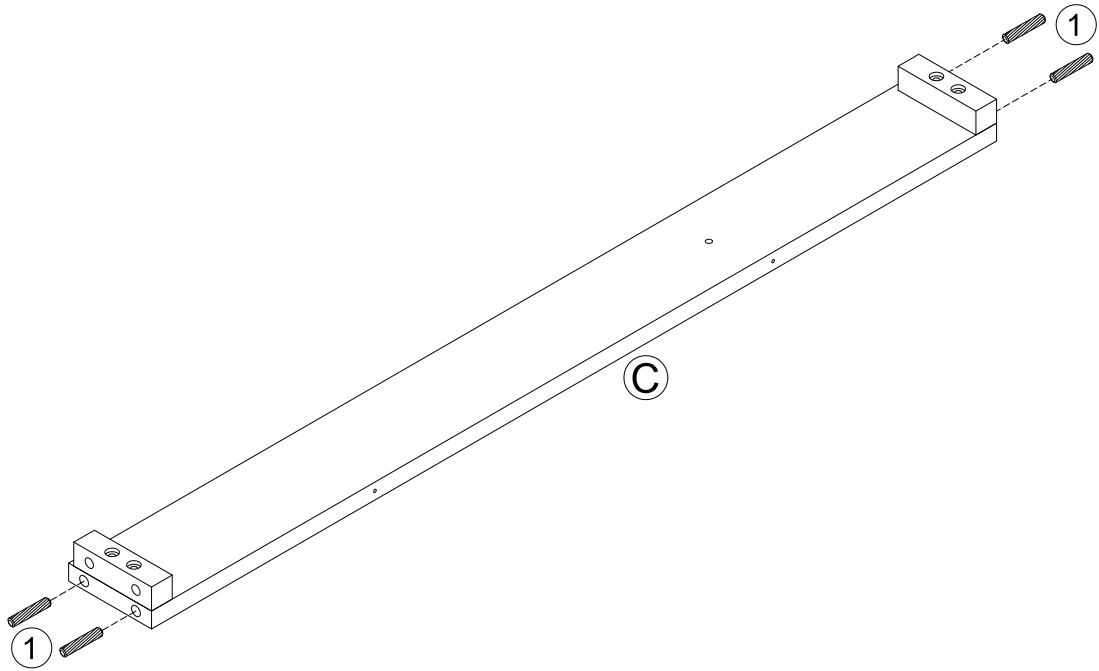
STEP 2

①  4pcs
Ø8x30mm

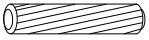


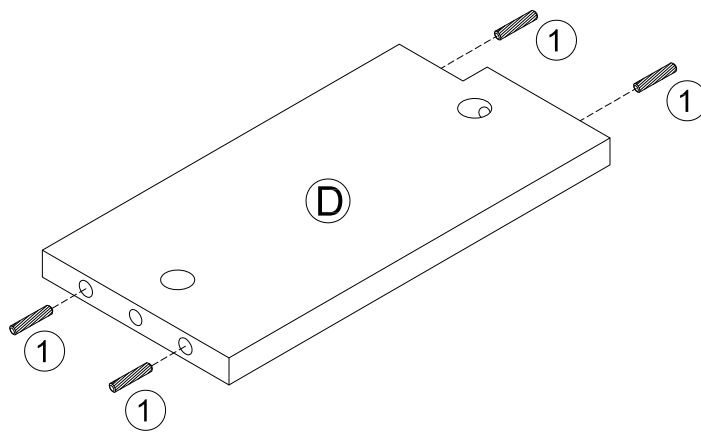
STEP 3

①  4pcs
Ø8x30mm



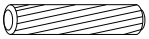
STEP 4

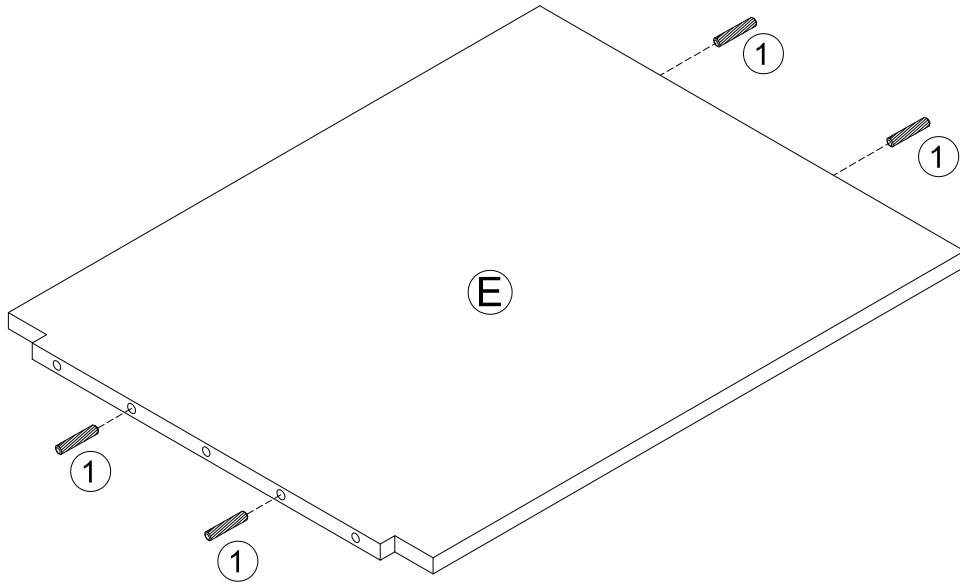
①  8pcs
Ø8x30mm



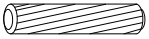

x 2

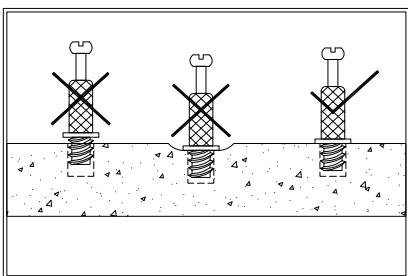
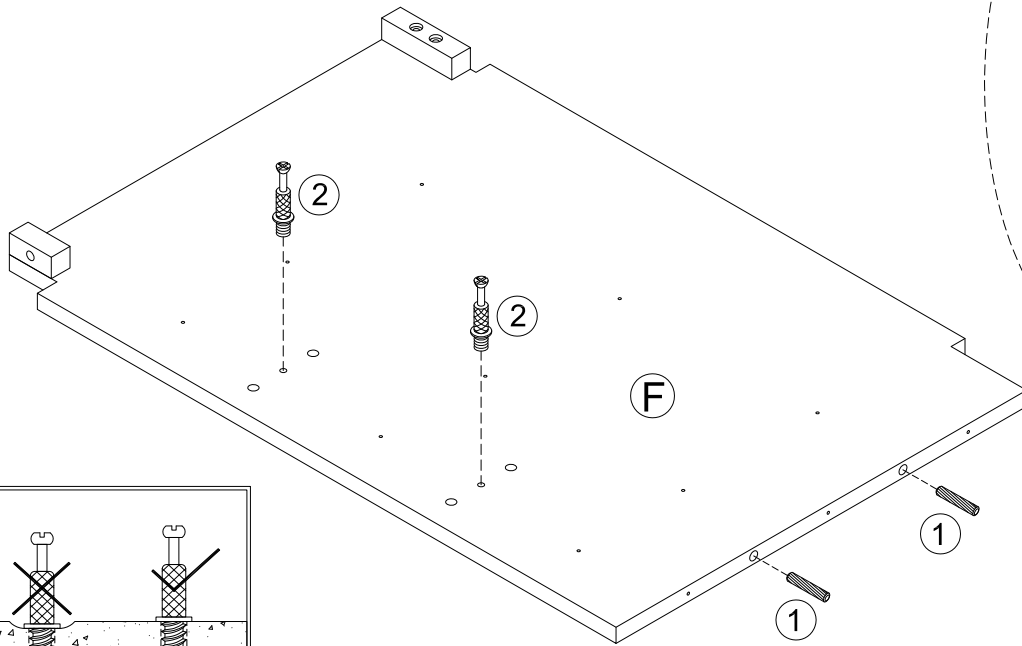
STEP 5

- ①  4pcs
Ø8x30mm



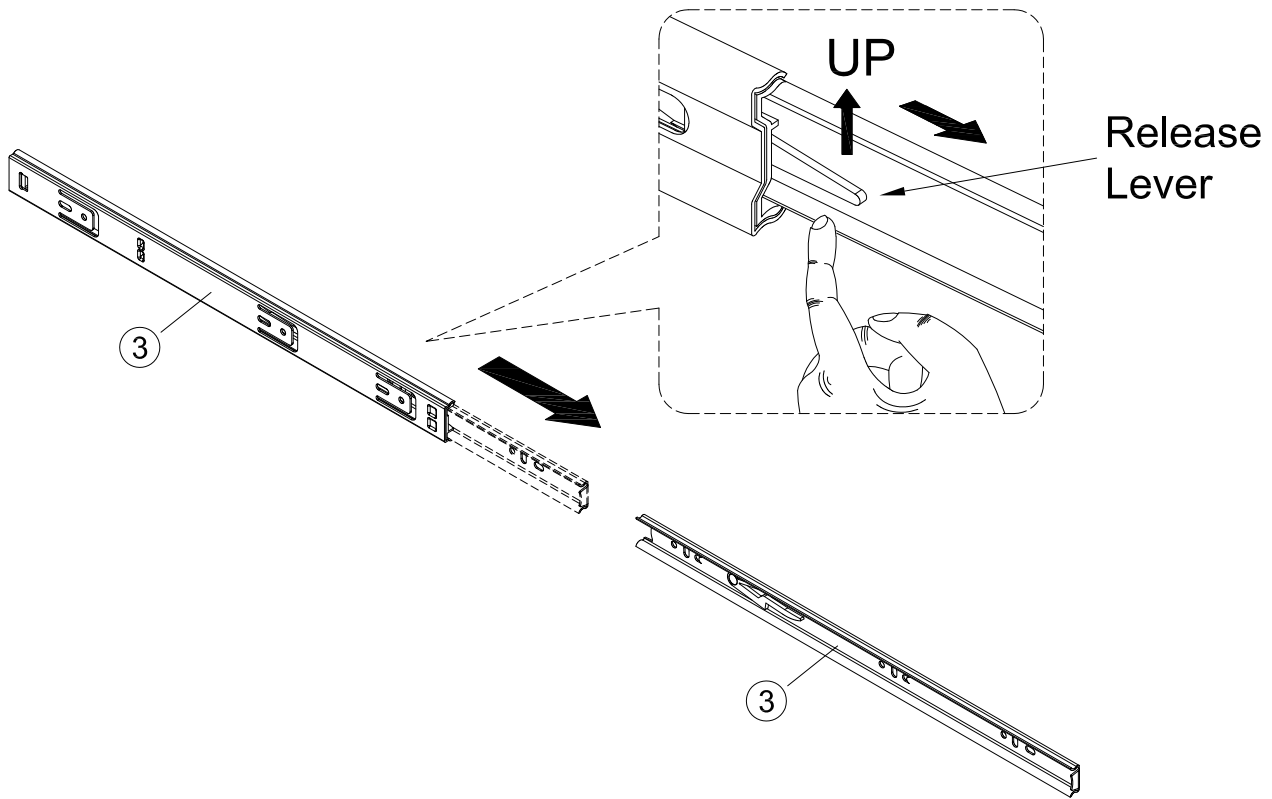
STEP 6

- ①  2pcs
Ø8x30mm
- ②  2pcs
Ø6x33mm



STEP 7

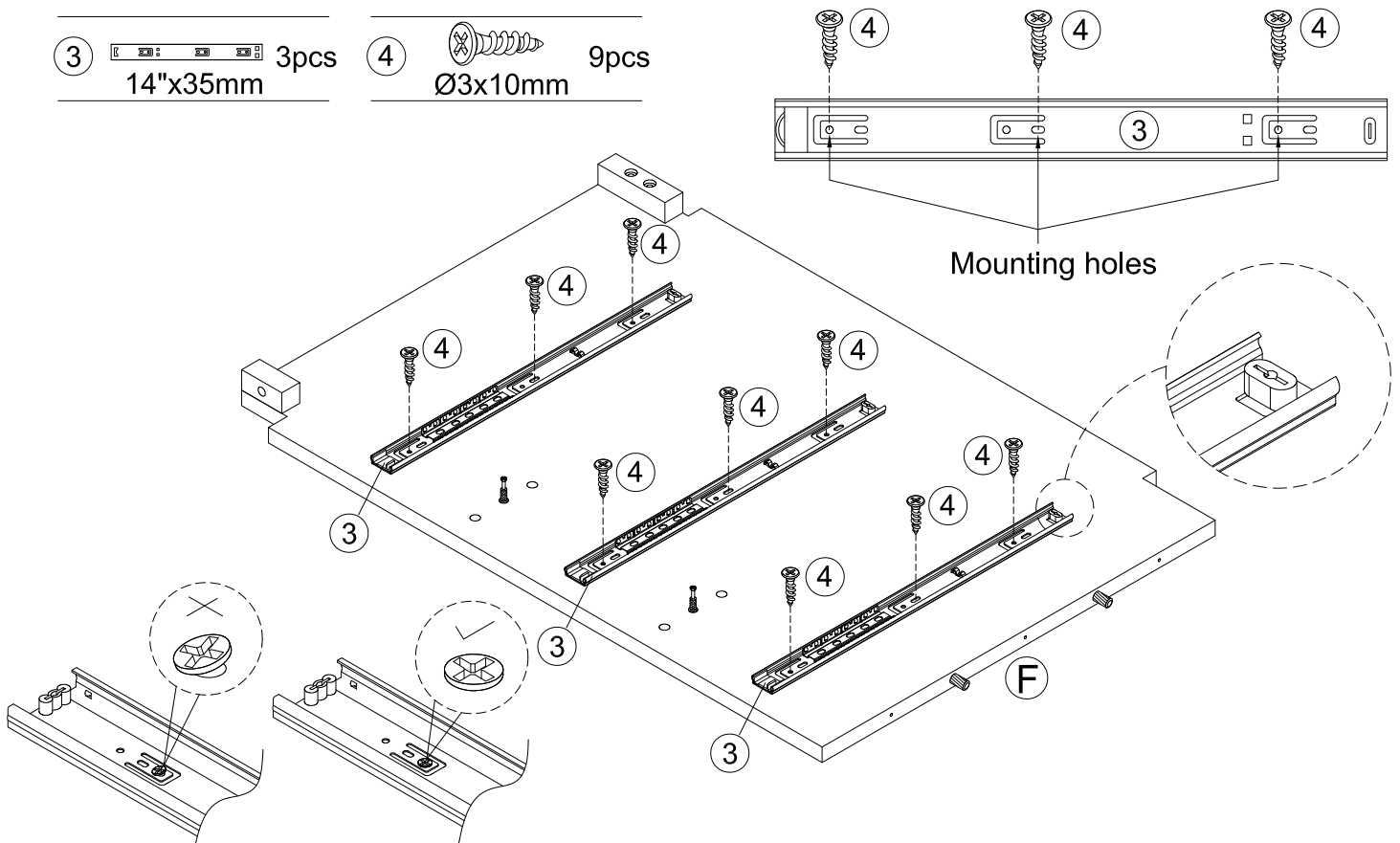
③ 4SET
14"x35mm



STEP 8

③ 3pcs
14"x35mm

④ 9pcs
Ø3x10mm



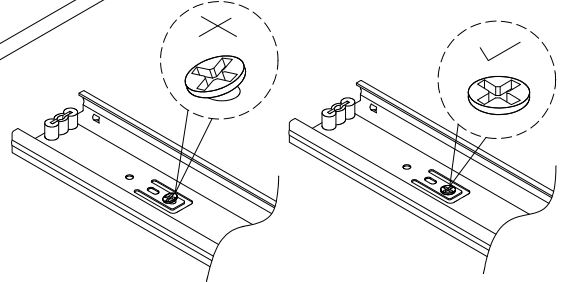
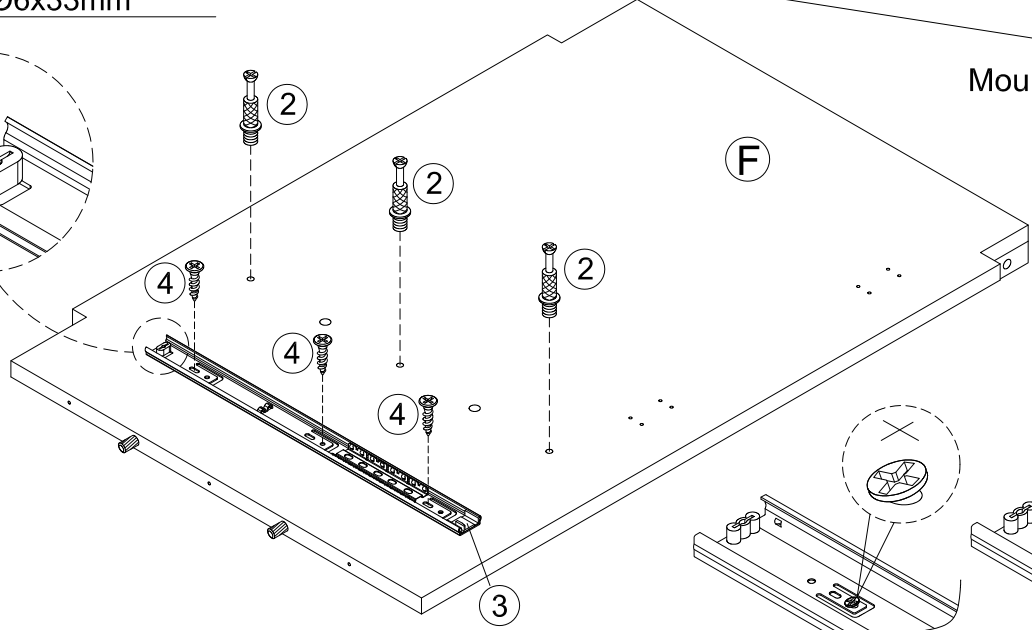
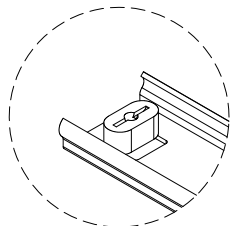
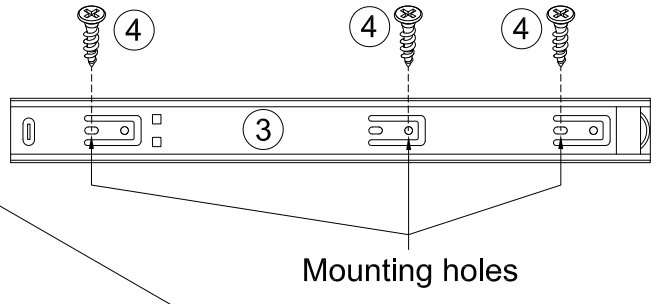
Please make sure that the screw is VERTICAL
so as not to affect the sliding of the drawer.

STEP 9

③ 14"x35mm 1pc

④ Ø3x10mm 3pcs

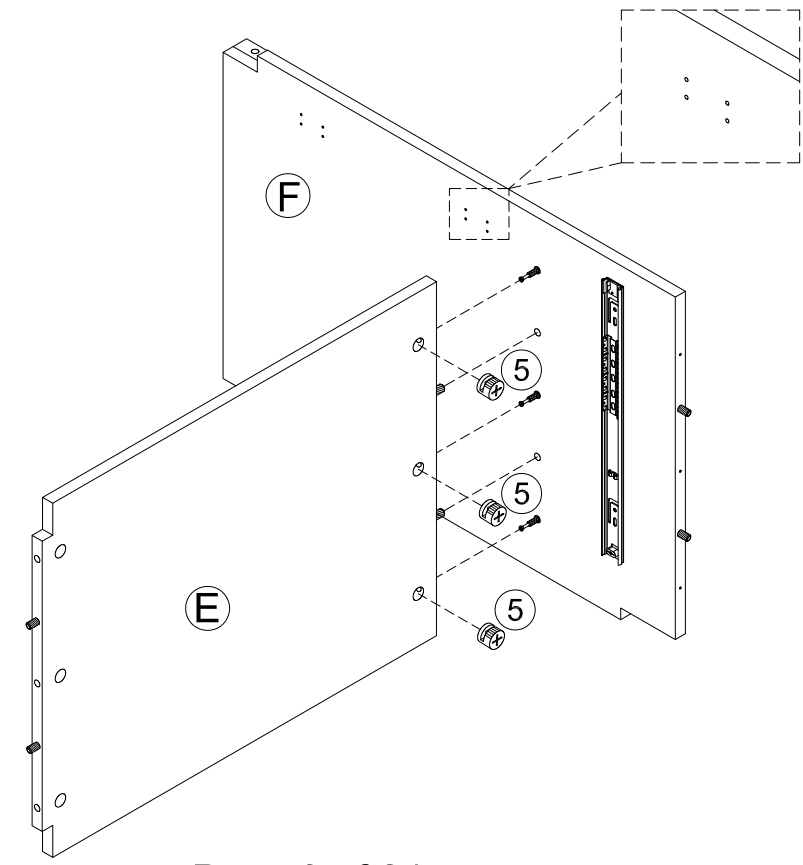
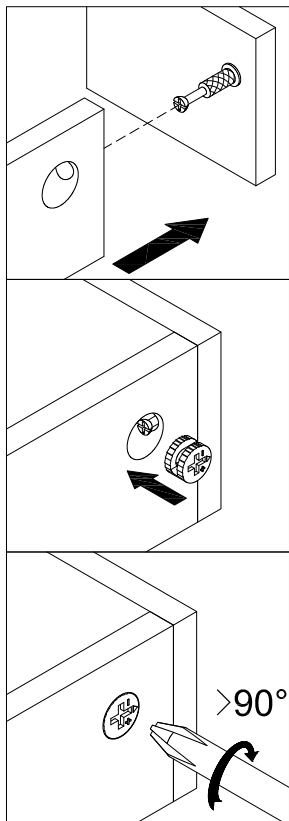
② Ø6x33mm 3pcs



Please make sure that the screw is VERTICAL so as not to affect the sliding of the drawer.

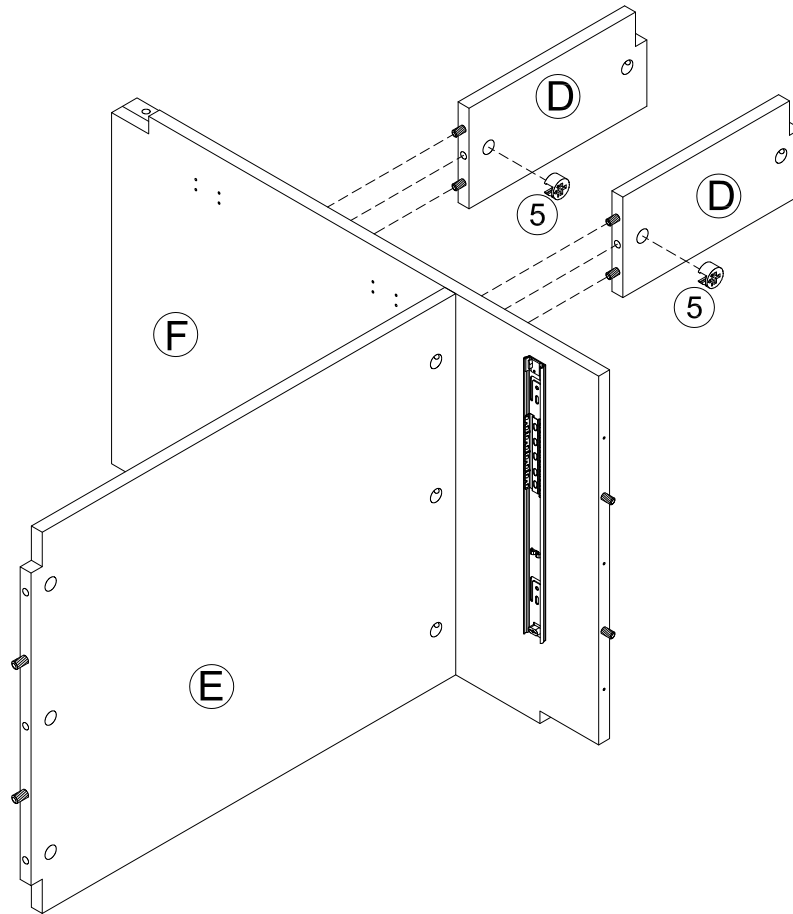
STEP 10

⑤ Ø15x9mm 3pcs

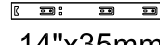


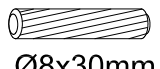


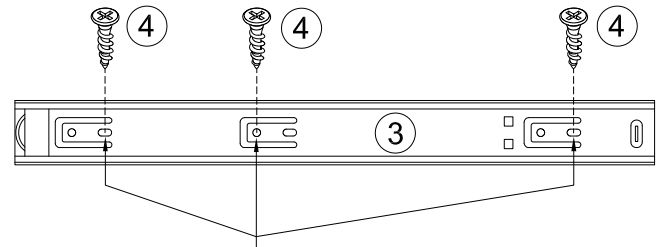
STEP 11

- ⑤  2pcs
Ø15x9mm

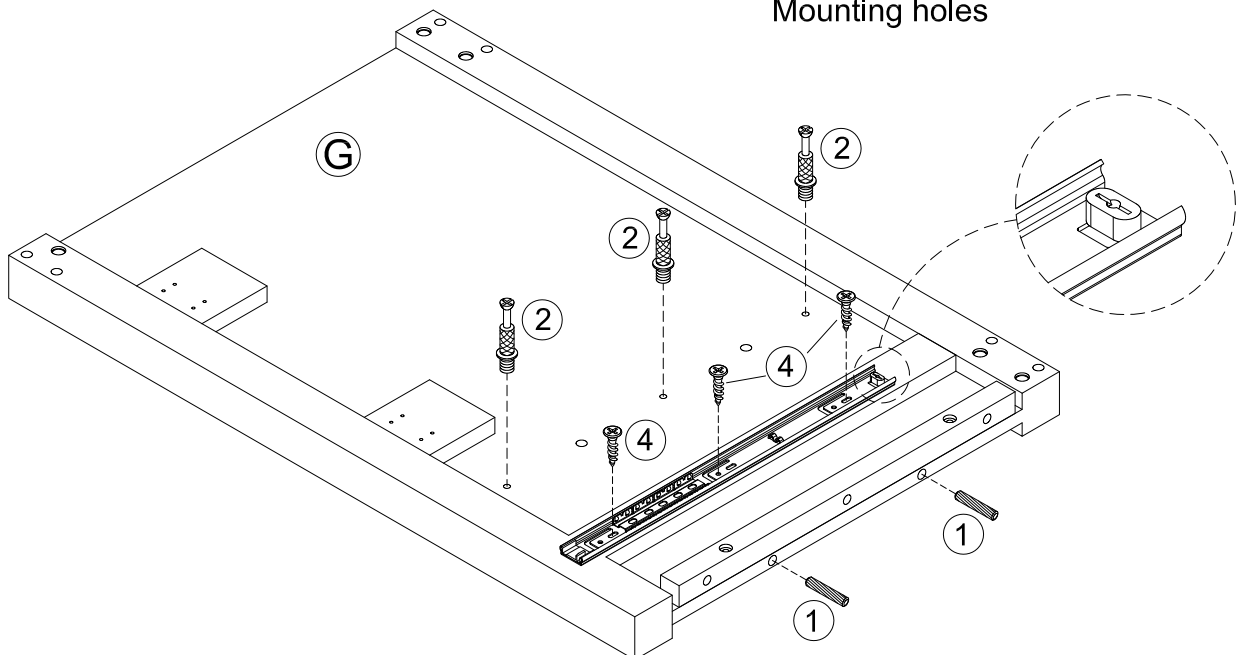


STEP 12

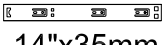

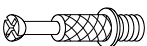
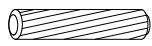
- ③  1pc
14"x35mm
- ④  3pcs
Ø3x10mm
- ②  3pcs
Ø6x33mm
- ①  2pcs
Ø8x30mm

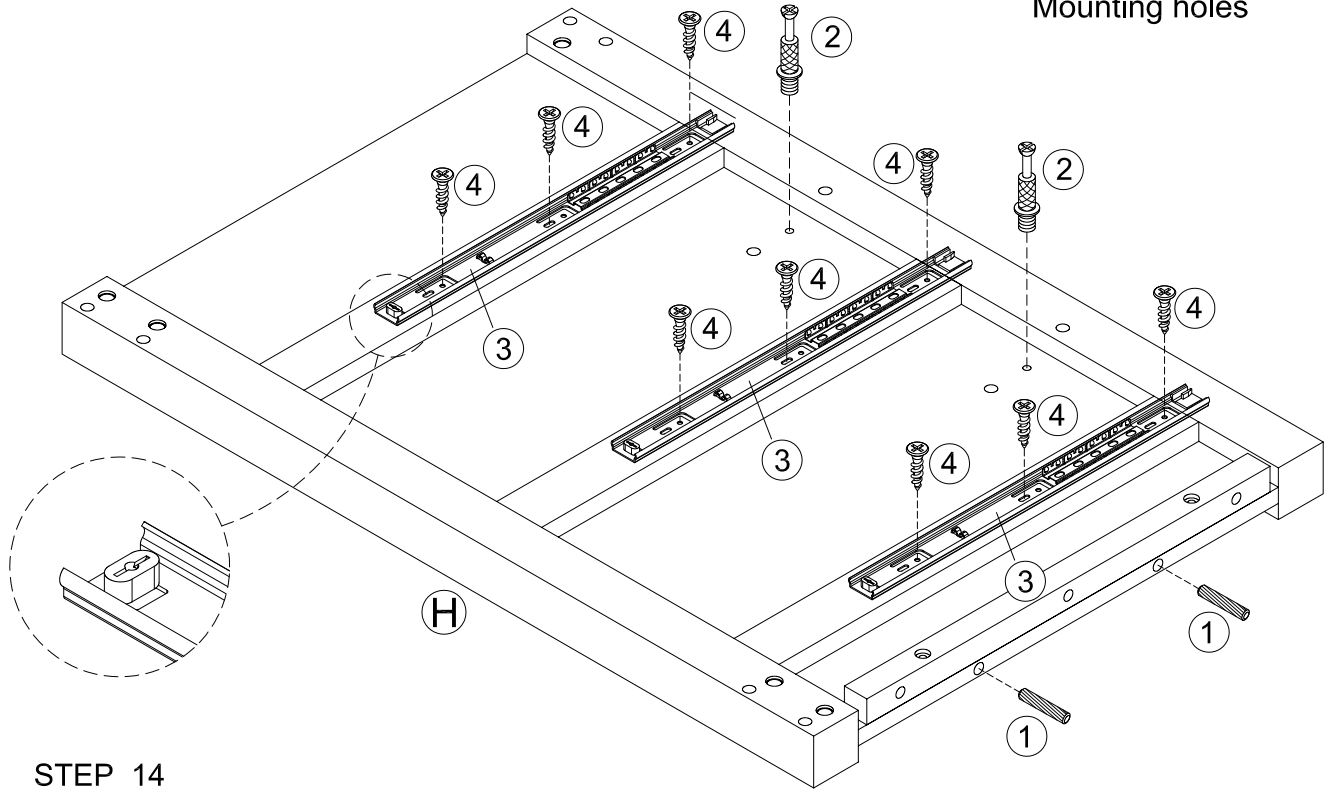
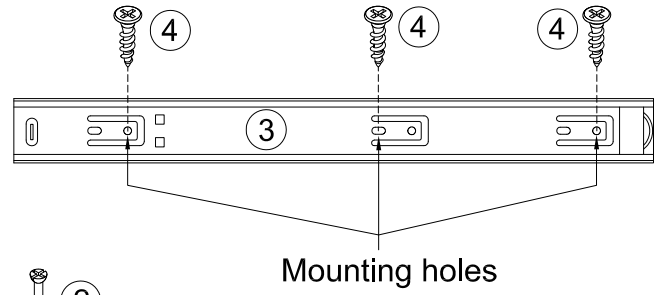


Mounting holes





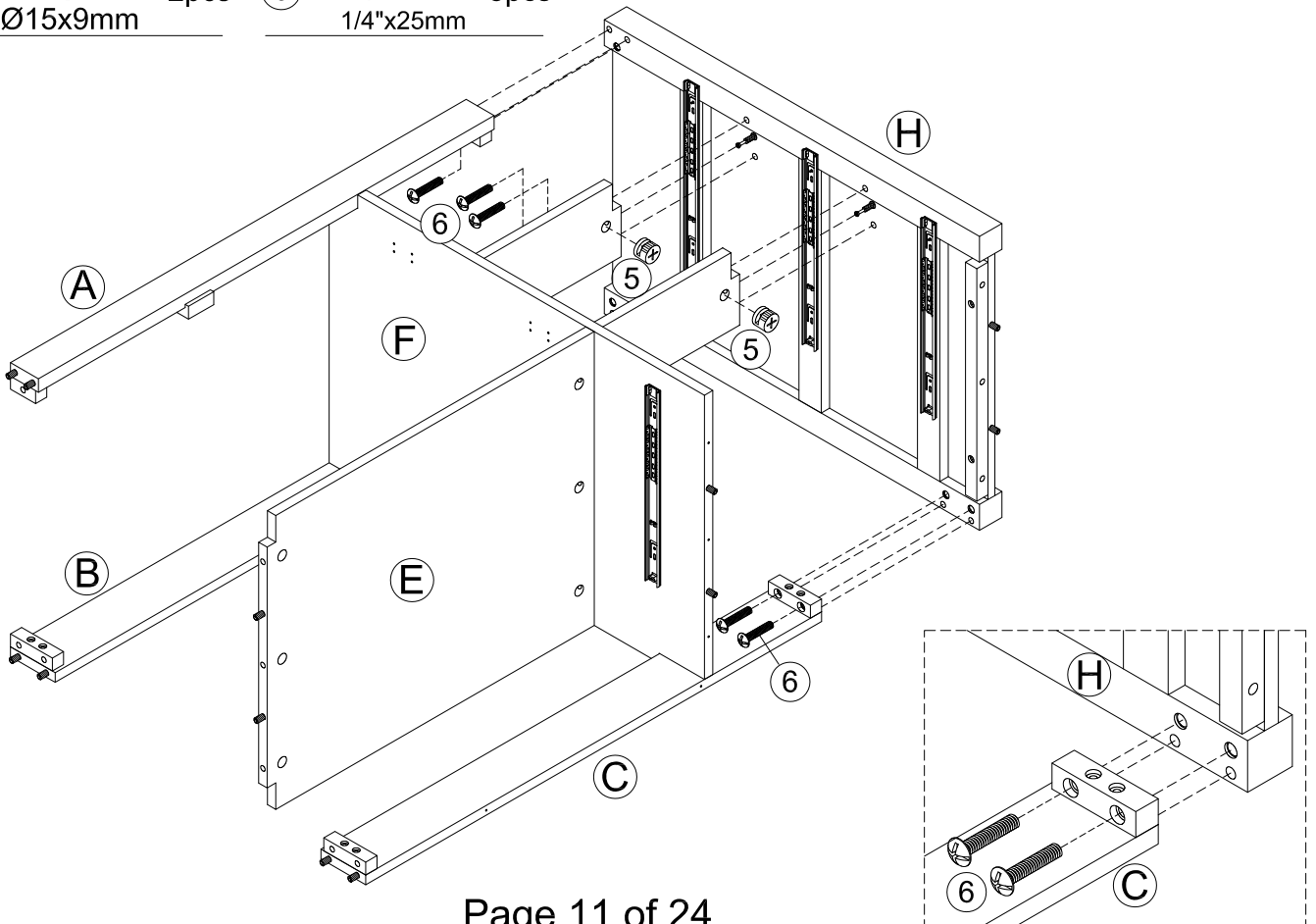
STEP 13

- | | | | | | |
|---|---|------|---|---|------|
| ③ |  | 3pcs | ④ |  | 9pcs |
| | 14"x35mm | | | Ø3x10mm | |
| ② |  | 2pcs | ① |  | 2pcs |
| | Ø6x33mm | | | Ø8x30mm | |




STEP 14

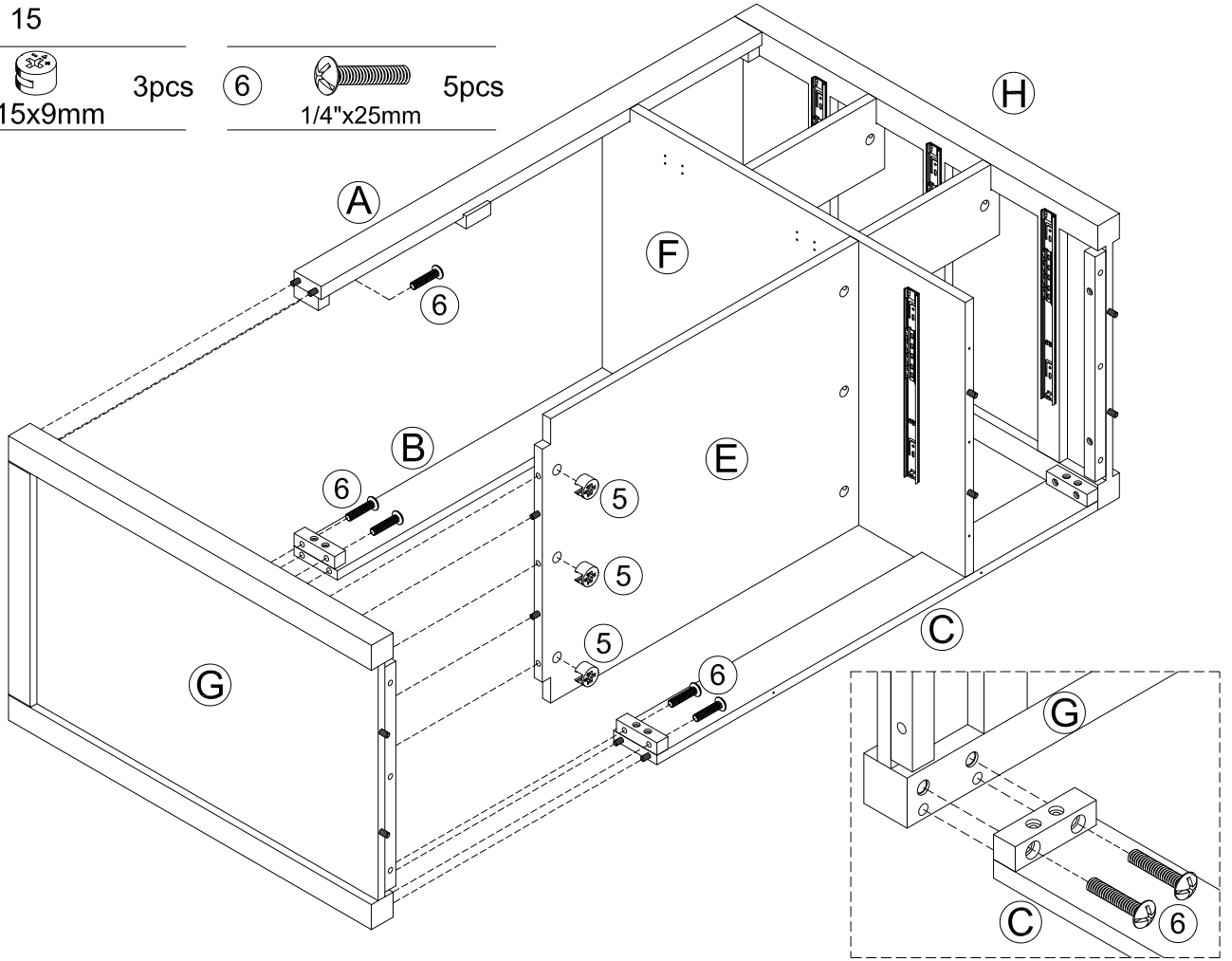
- | | | | | | |
|---|---|------|---|---|------|
| ⑤ |  | 2pcs | ⑥ |  | 5pcs |
| | Ø15x9mm | | | 1/4"x25mm | |




STEP 15


5  3pcs
Ø15x9mm

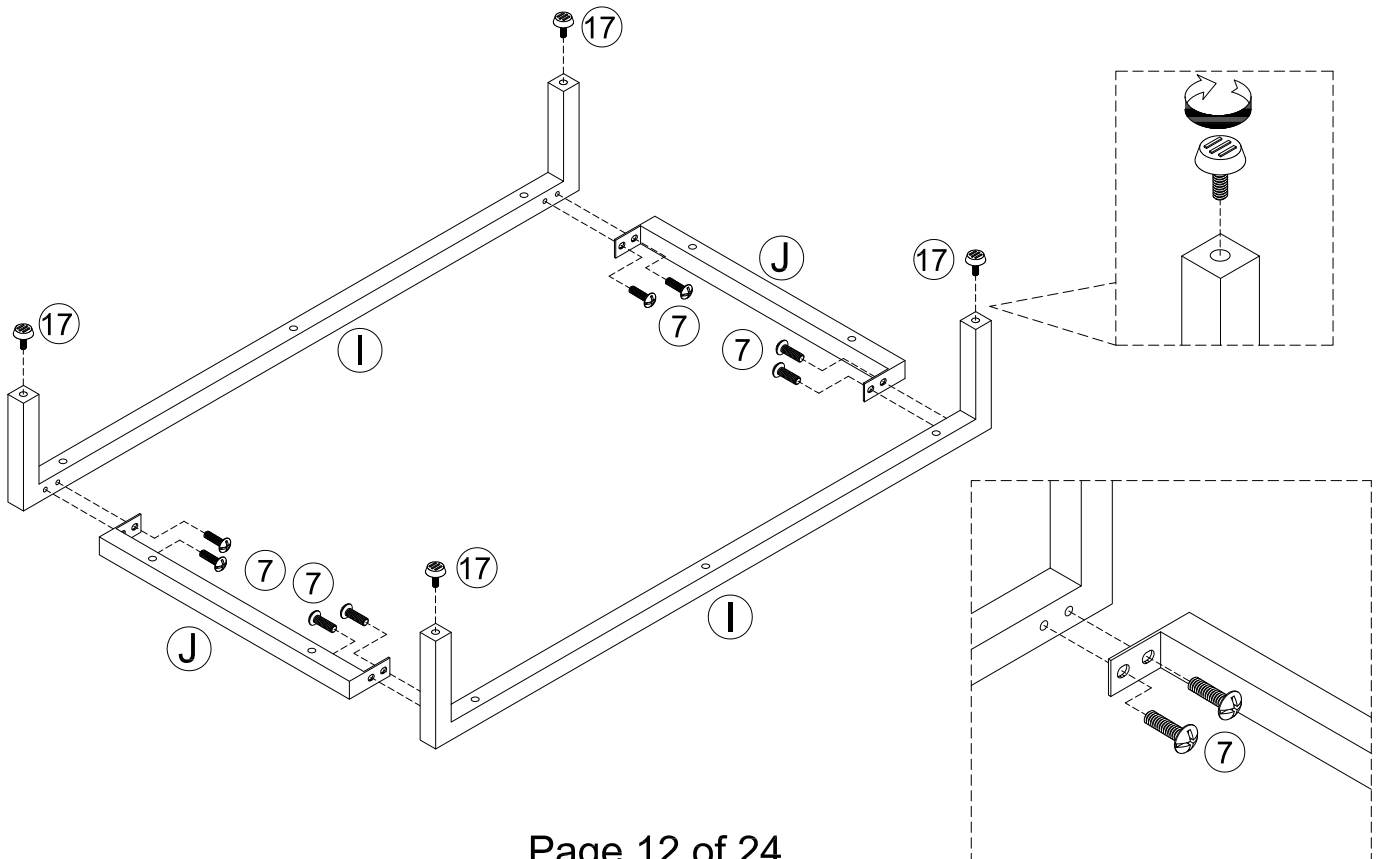
6  5pcs
1/4"x25mm




STEP 16

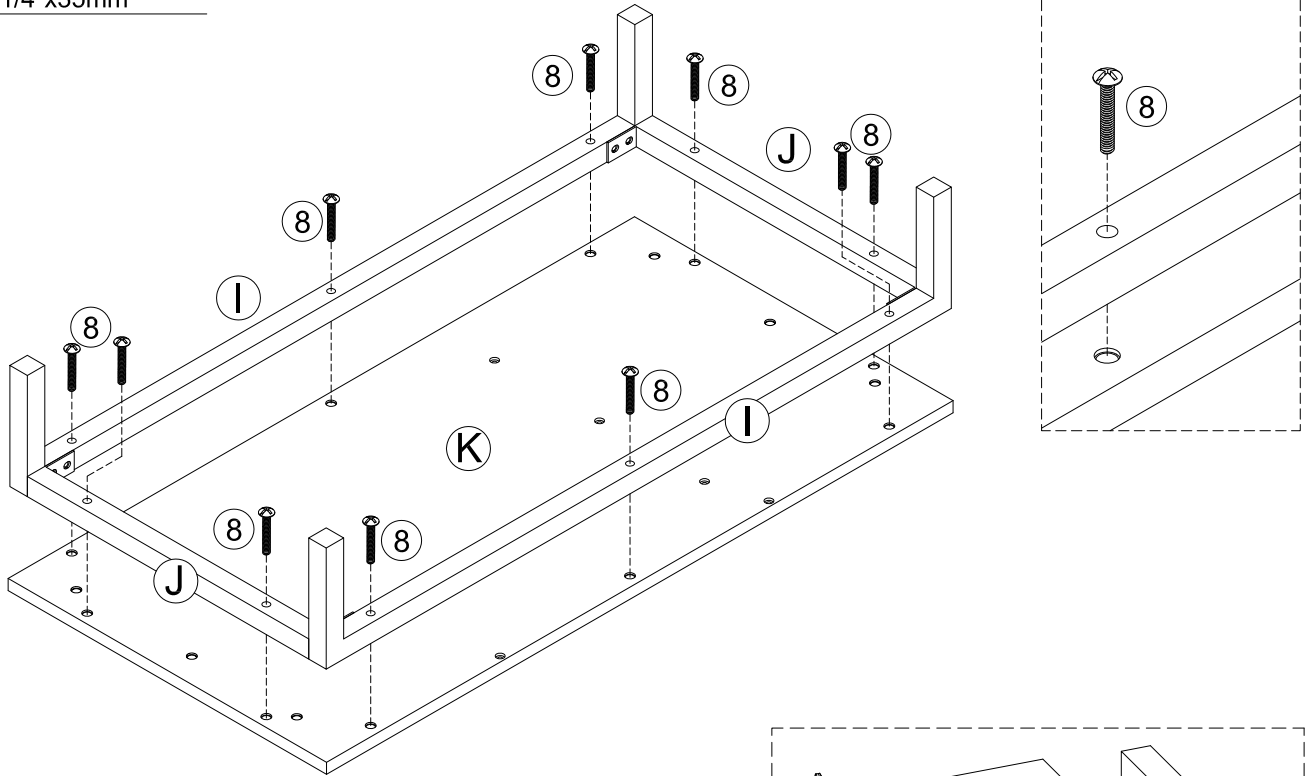
7  8pcs
1/4"x15mm

17  4pcs
1/4"x15mm


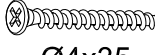



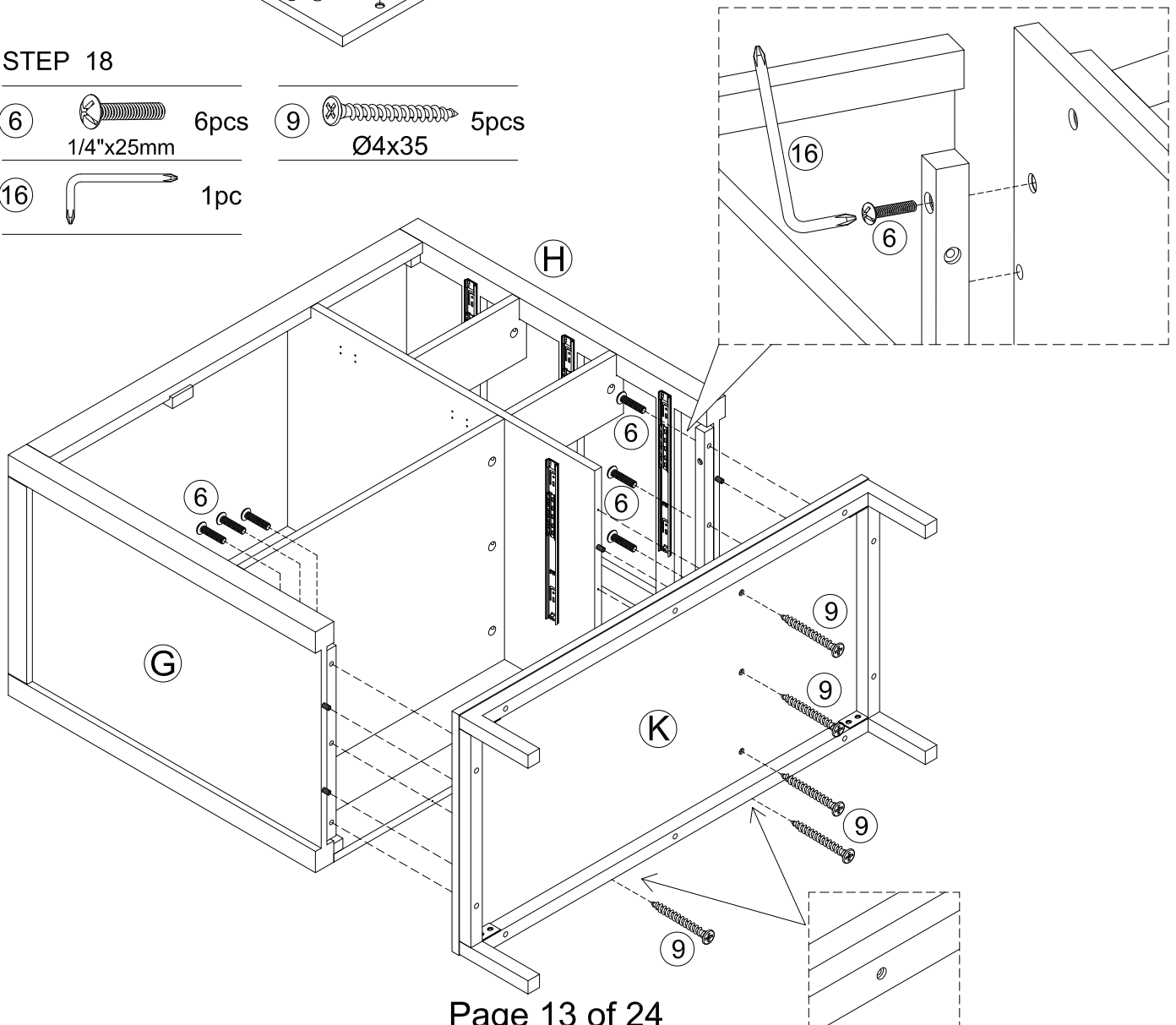
STEP 17

- ⑧  10pcs
1/4"x35mm

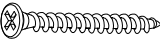


STEP 18

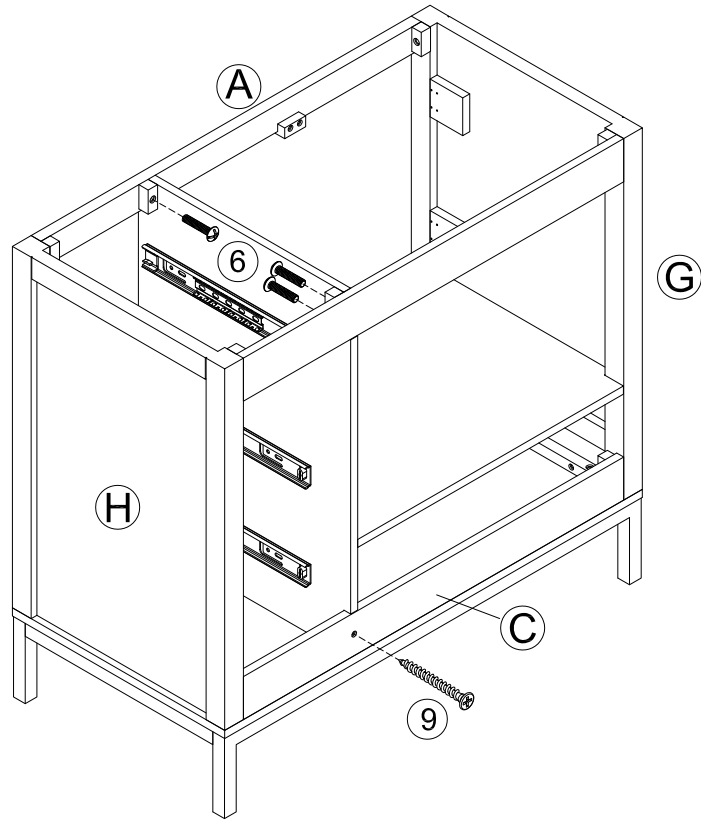
- ⑥  6pcs
1/4"x25mm
- ⑨  5pcs
Ø4x35
- ⑯  1pc




STEP 19

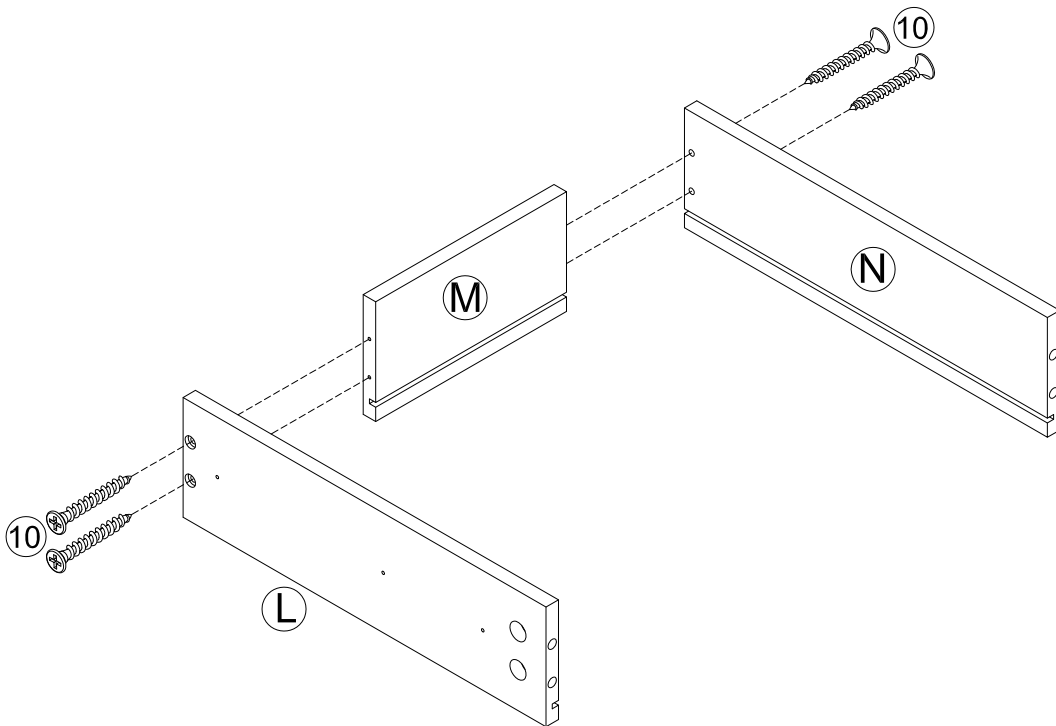
9  1pc
Ø4x35

6  3pcs
1/4"x25mm



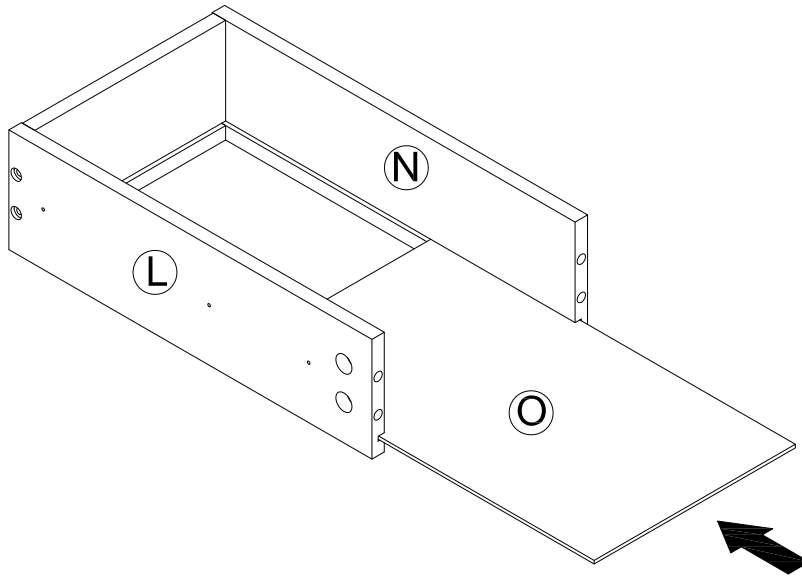
STEP 20

10  12pcs
Ø4x25



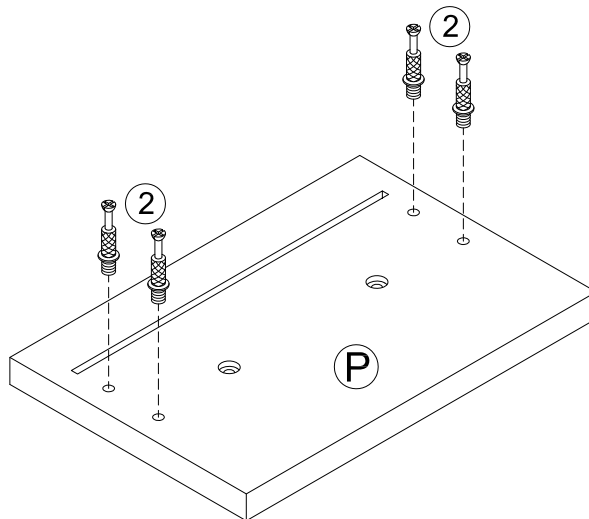
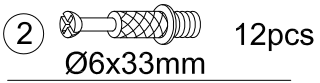
x 3

STEP 21



x 3

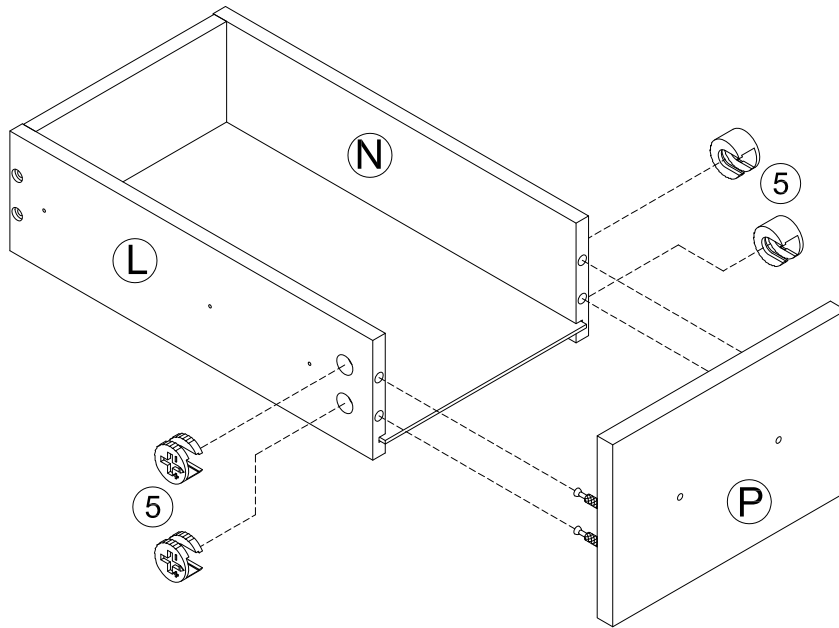
STEP 22



x 3



STEP 23

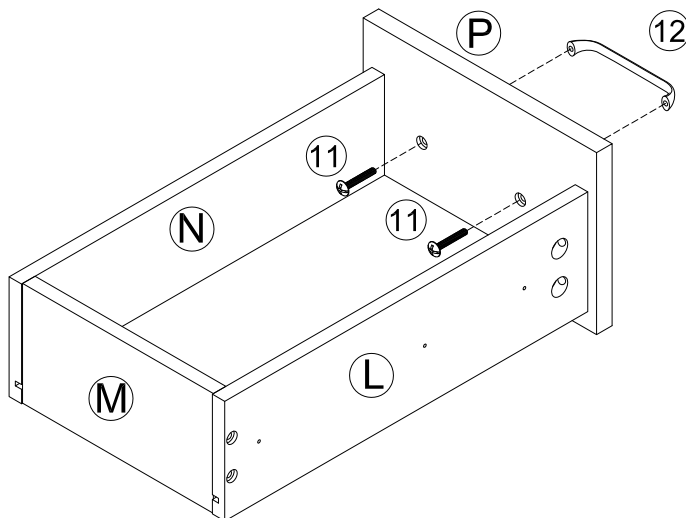
- ⑤  12pcs
Ø15x9mm



x 3

STEP 24

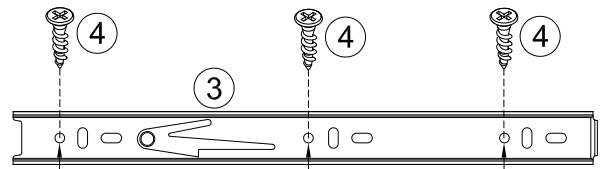
- ⑪  6pcs
5/32"x18mm
- ⑫  3pcs



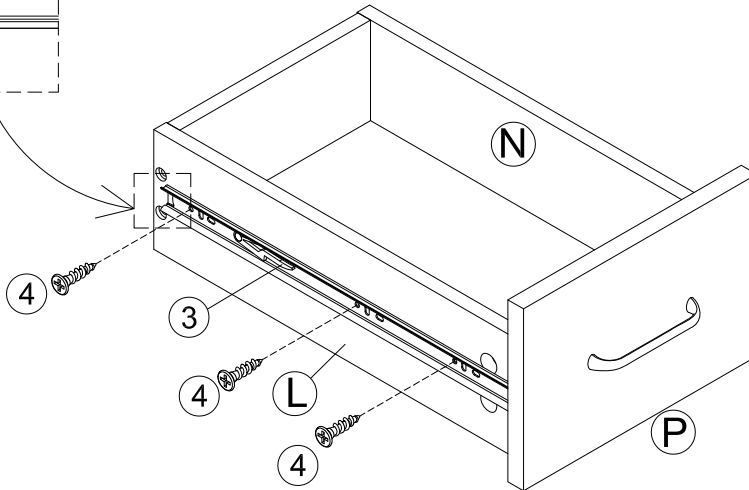
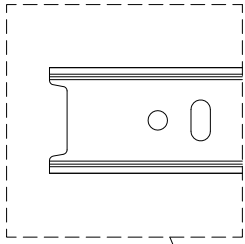
x 3

STEP 25

- ③ 3pcs ④ 9pcs
Ø3x10mm



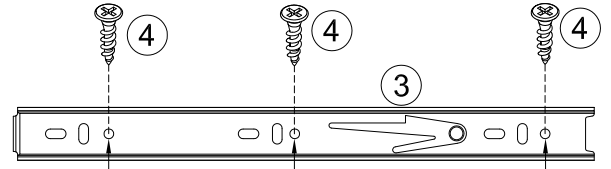
Mounting holes



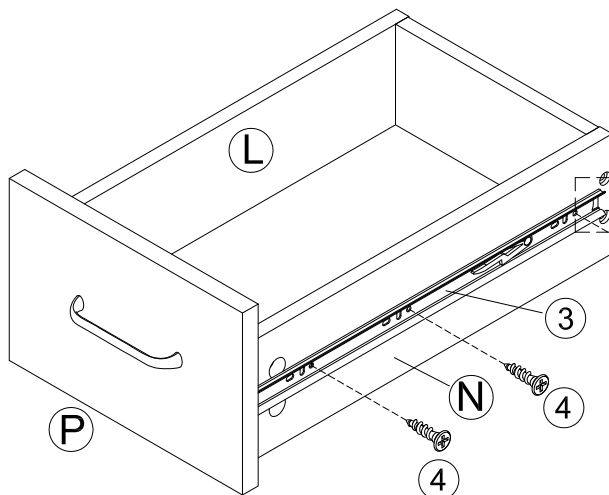
x 3

STEP 26

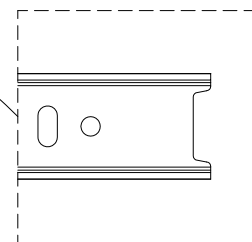
- ③ 3pcs ④ 9pcs
Ø3x10mm



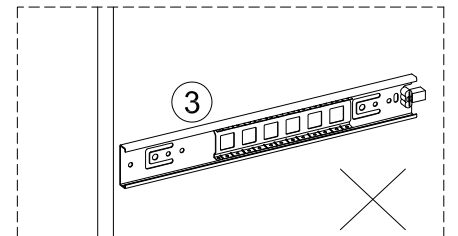
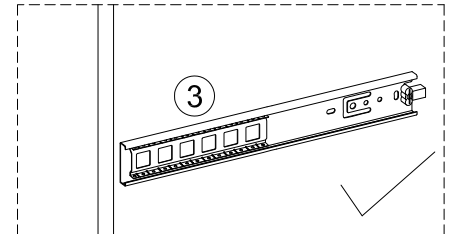
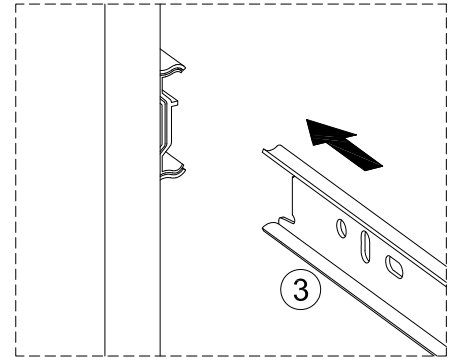
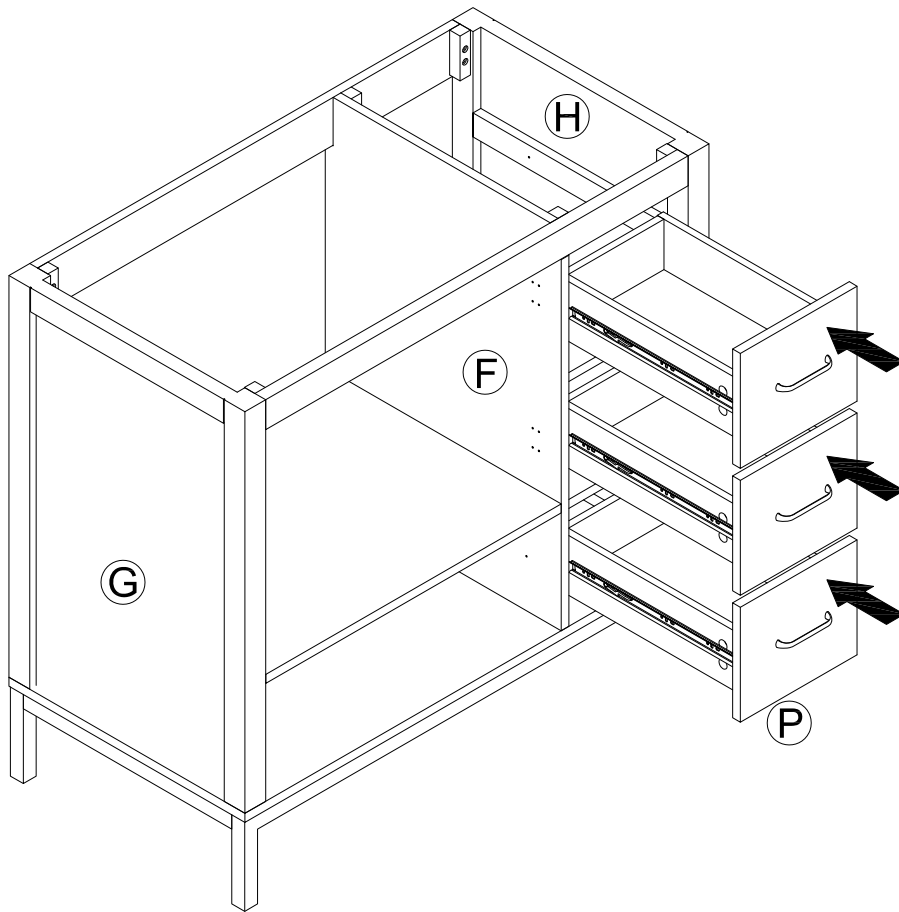
Mounting holes




x 3

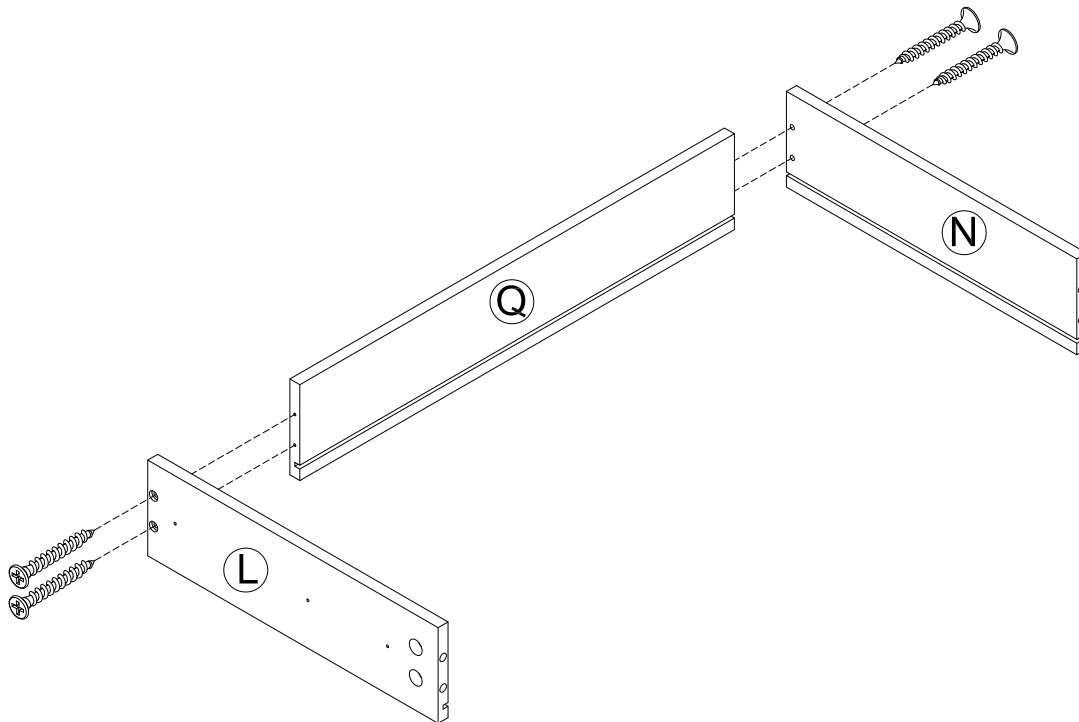


STEP 27

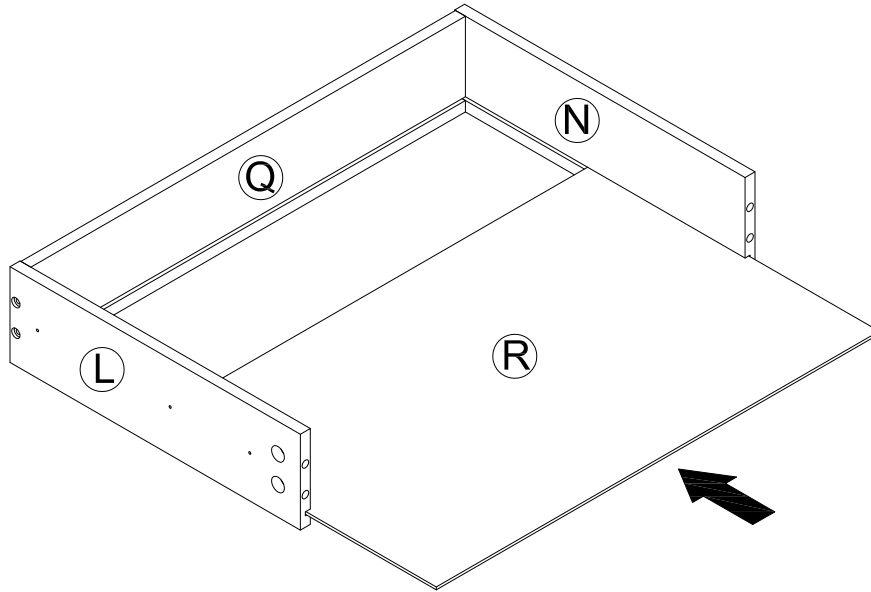


STEP 28

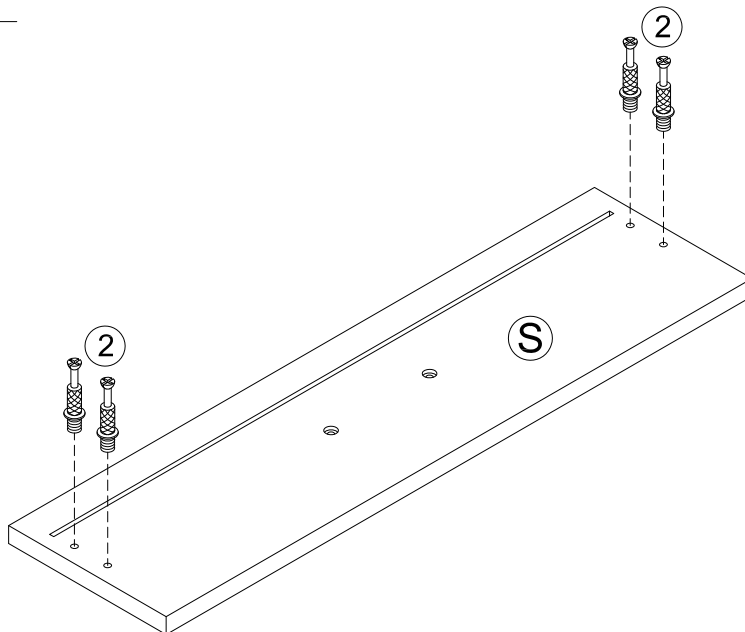
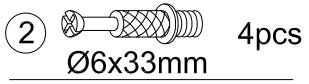
- 10  4pcs
Ø4x25



STEP 29

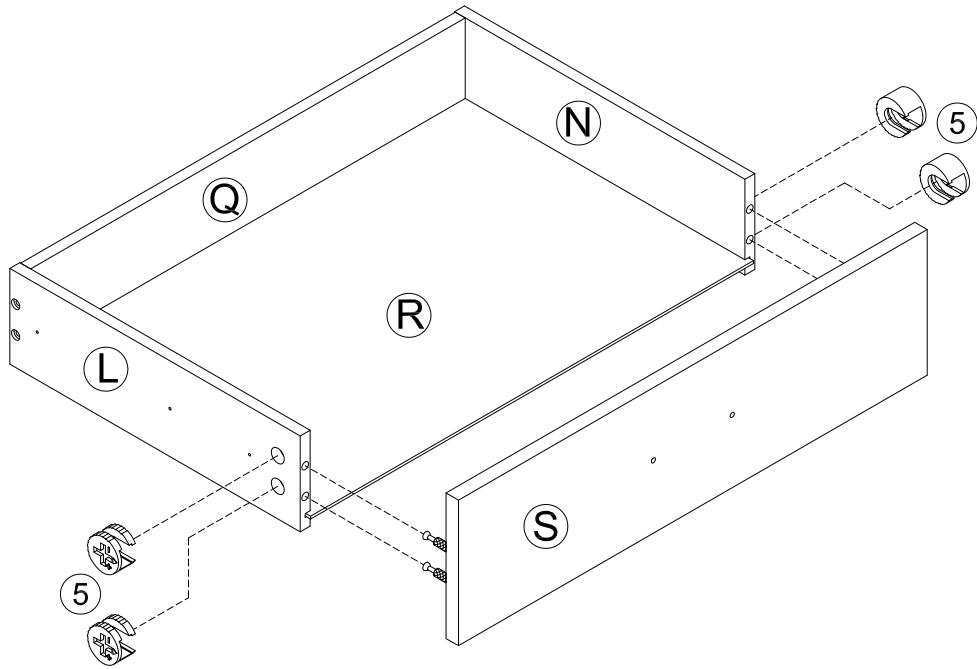


STEP 30





STEP 31

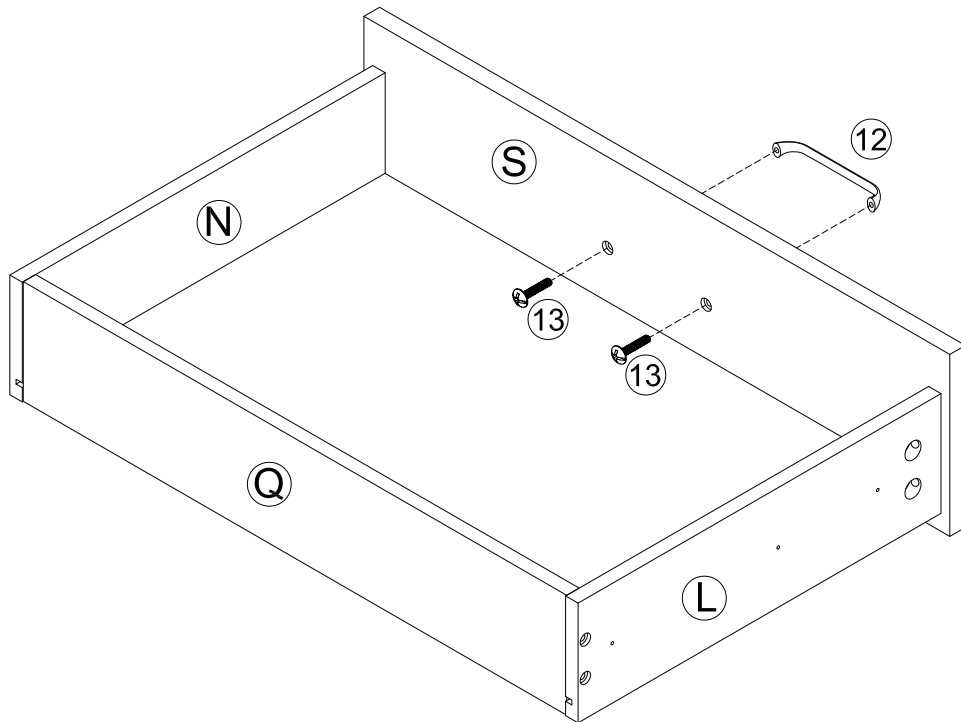
⑤  4pcs
Ø15x9mm



STEP 32

⑬  2pcs
5/32"x15mm

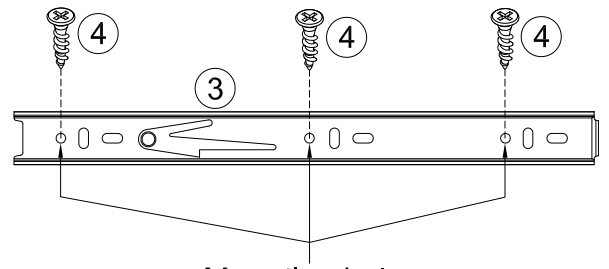
⑫  1pc



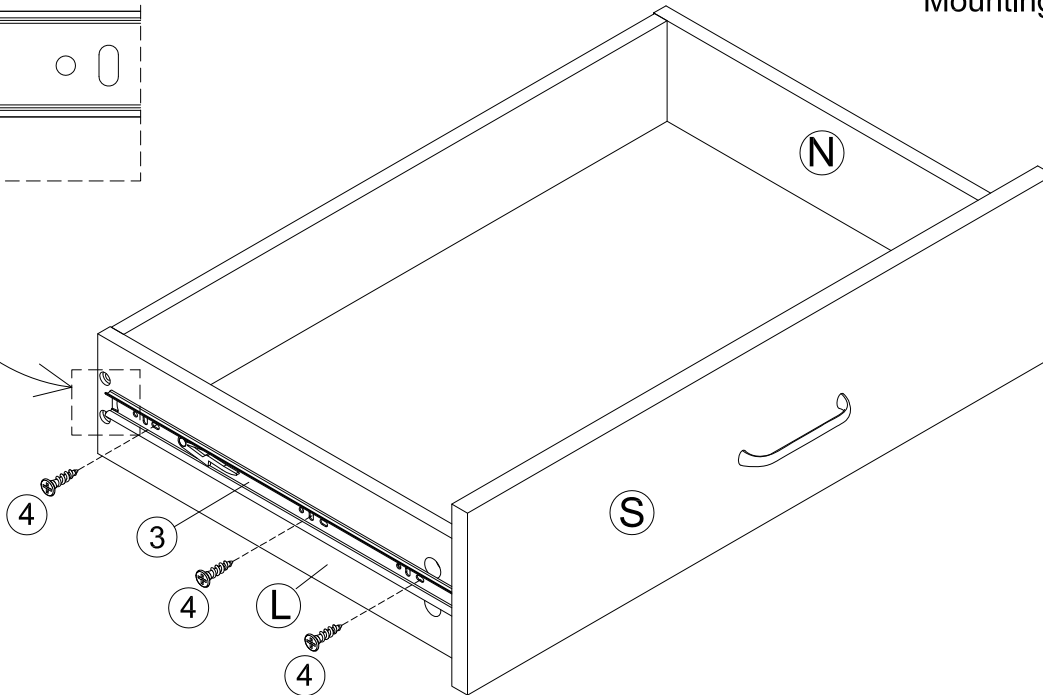
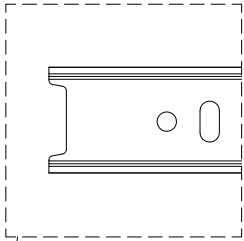
STEP 33

③ 1pc

④ 3pcs
Ø3x10mm



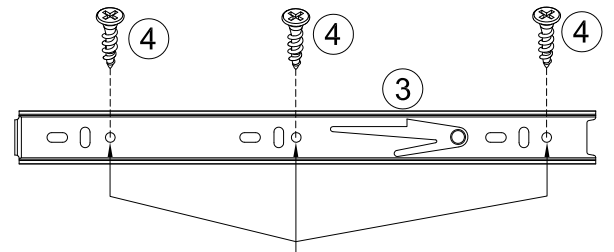
Mounting holes



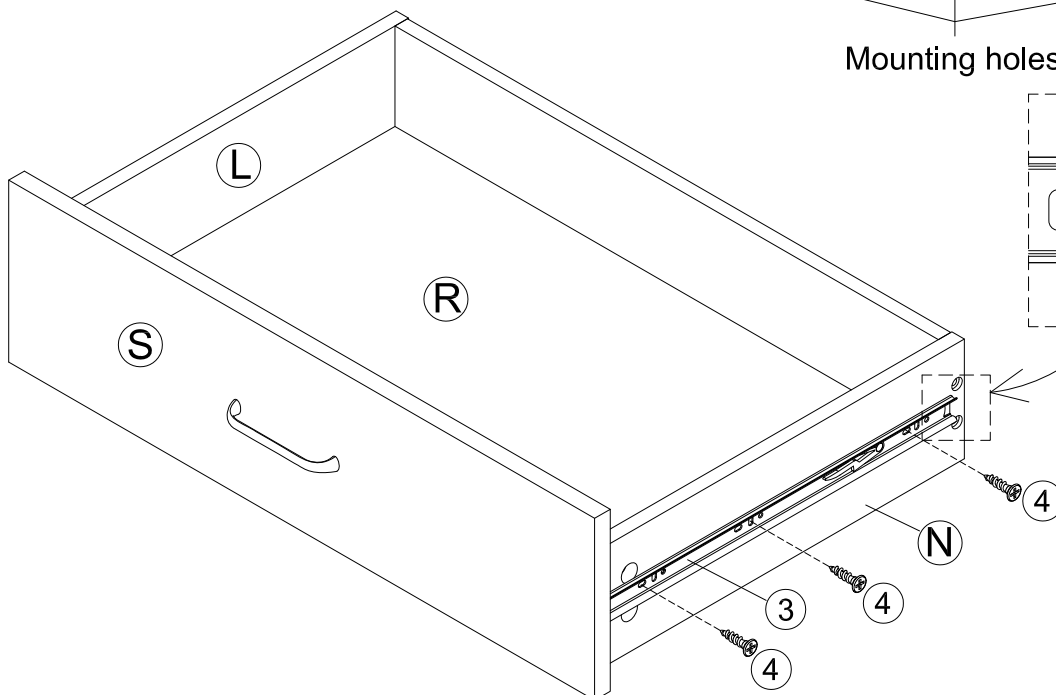
STEP 34

③ 1pc

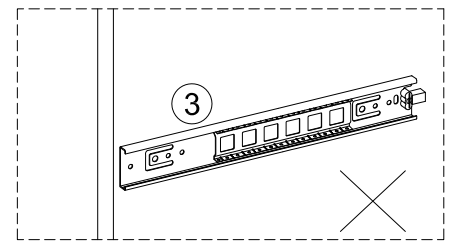
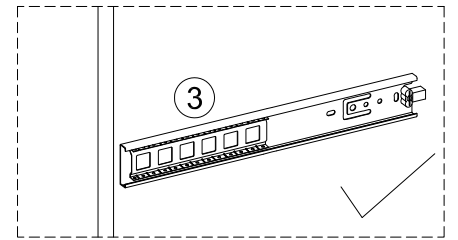
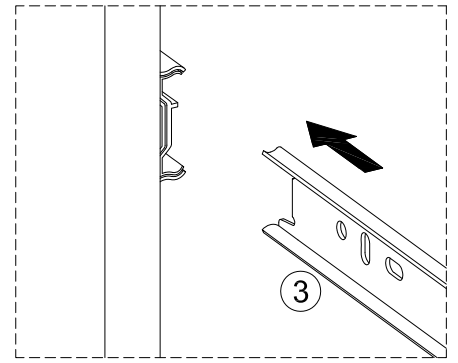
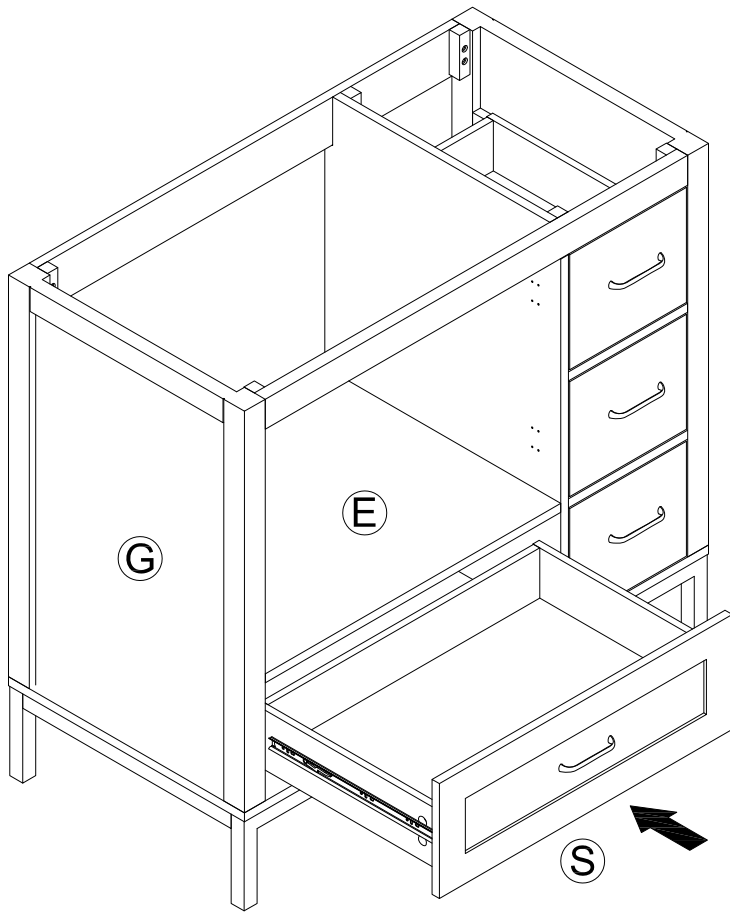
④ 3pcs
Ø3x10mm




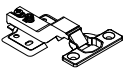
Mounting holes

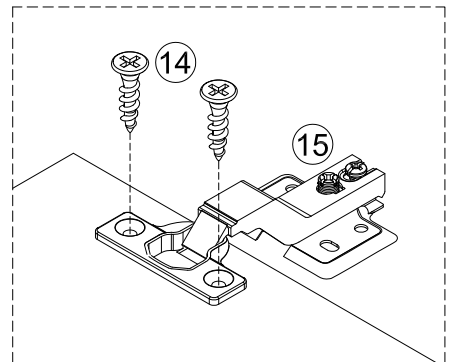
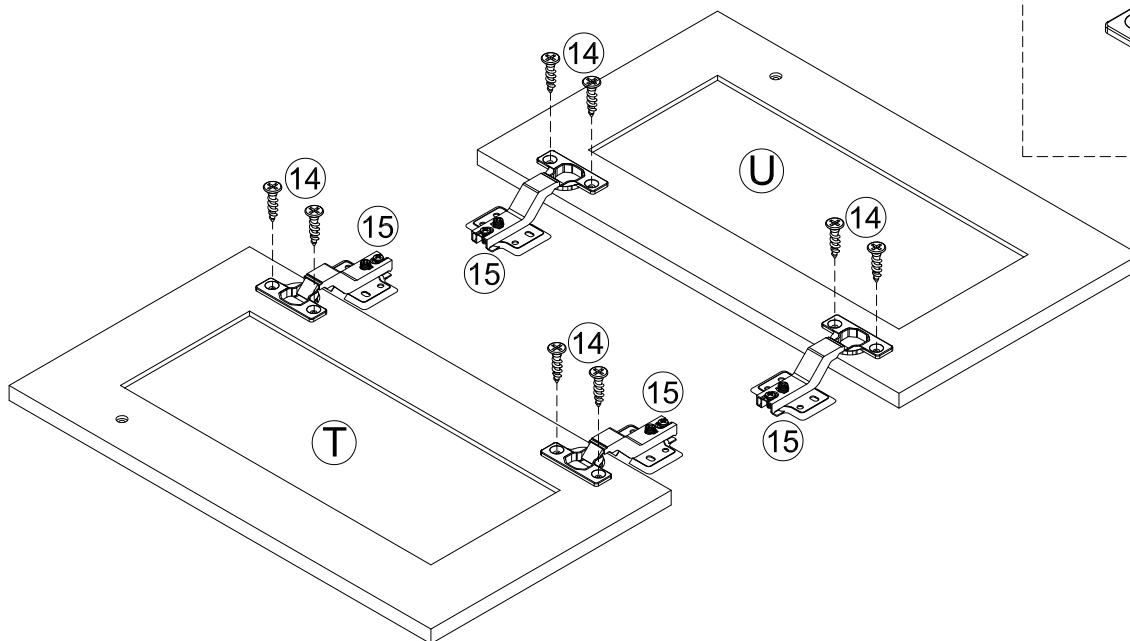


STEP 35



STEP 36

- ⑭  8pcs Ø4x12mm ⑮  4pcs

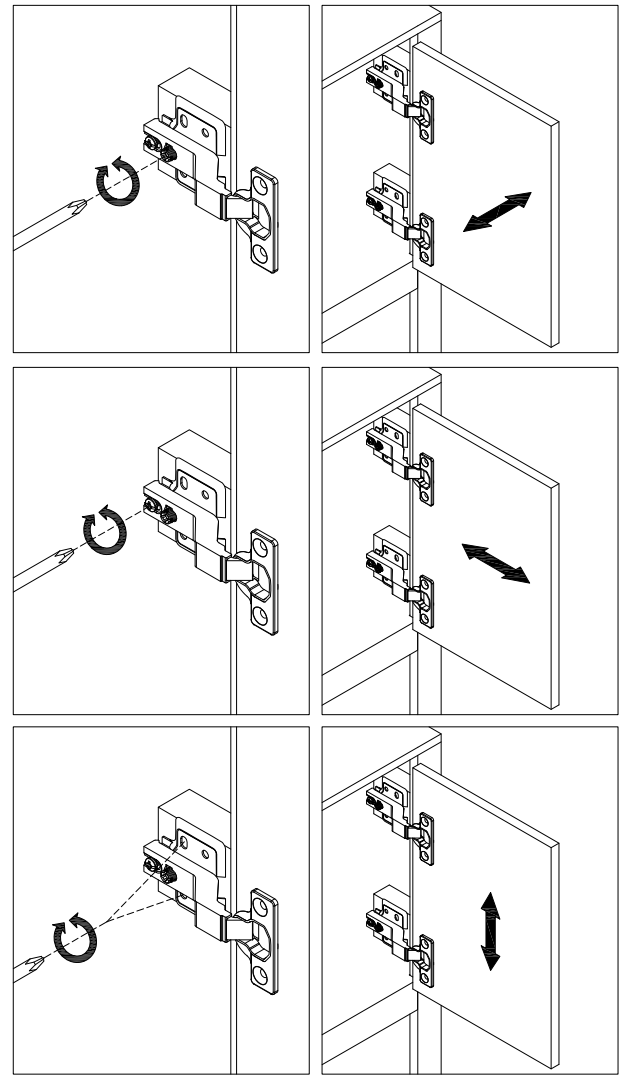
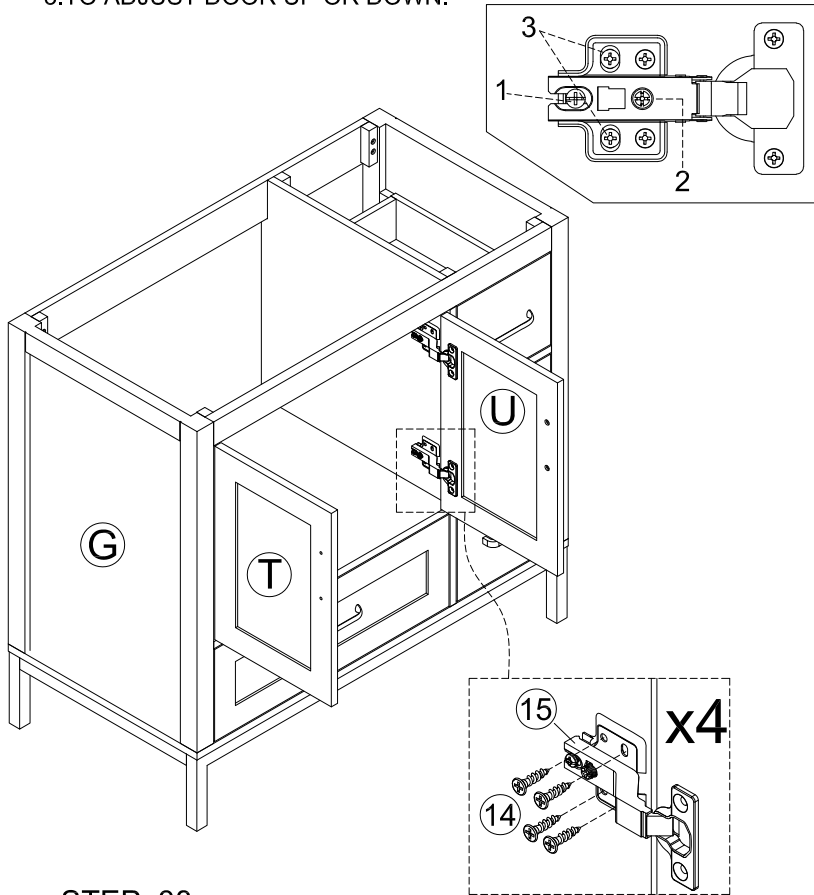


STEP 37


①④  16pcs
 Ø4x12mm

Three-way adjustable hinge for perfectly aligned doors

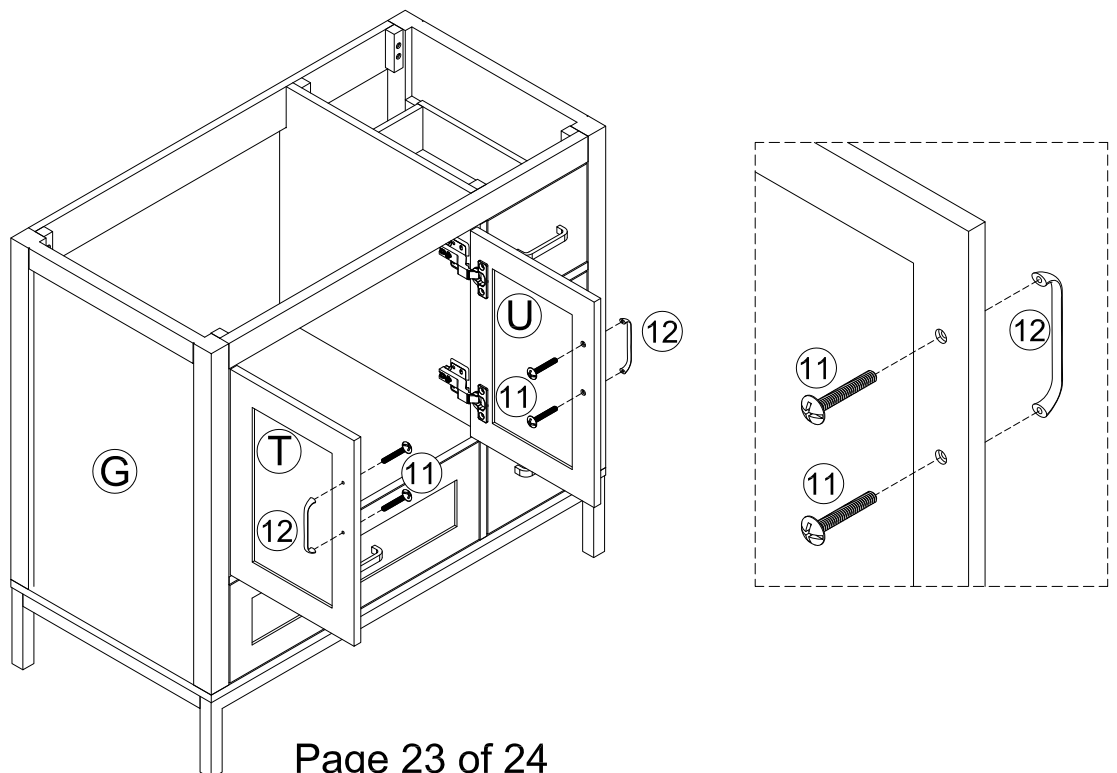
1. TO ADJUST DOOR FORWARD OR BACKWARD.
2. TO ADJUST DOOR TO RIGHT OR TO LEFT.
3. TO ADJUST DOOR UP OR DOWN.



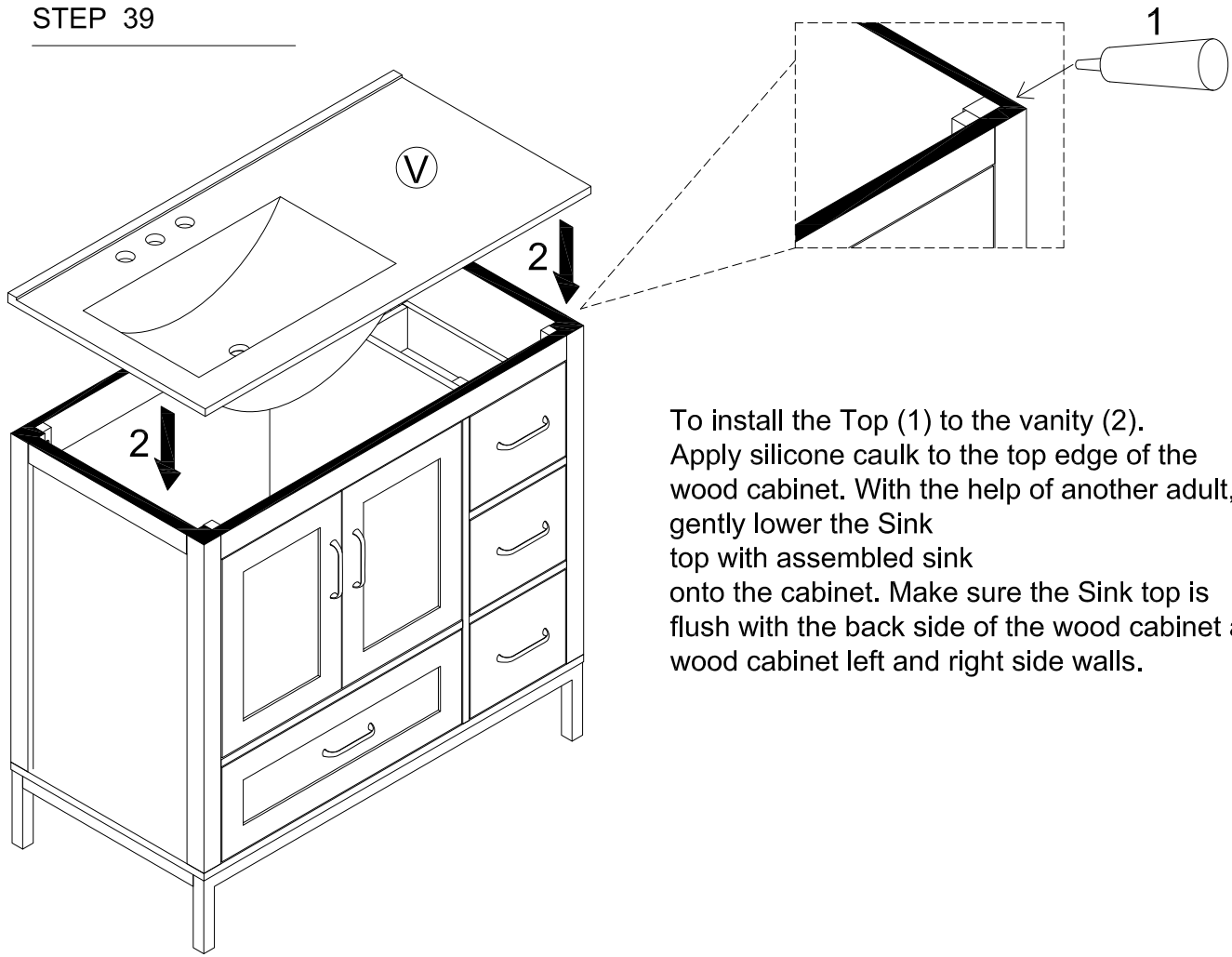
STEP 38

①①  4pcs
 5/32"x18mm

①②  2pcs



STEP 39



To install the Top (1) to the vanity (2). Apply silicone caulk to the top edge of the wood cabinet. With the help of another adult, gently lower the Sink top with assembled sink onto the cabinet. Make sure the Sink top is flush with the back side of the wood cabinet and the wood cabinet left and right side walls.

STEP 39

