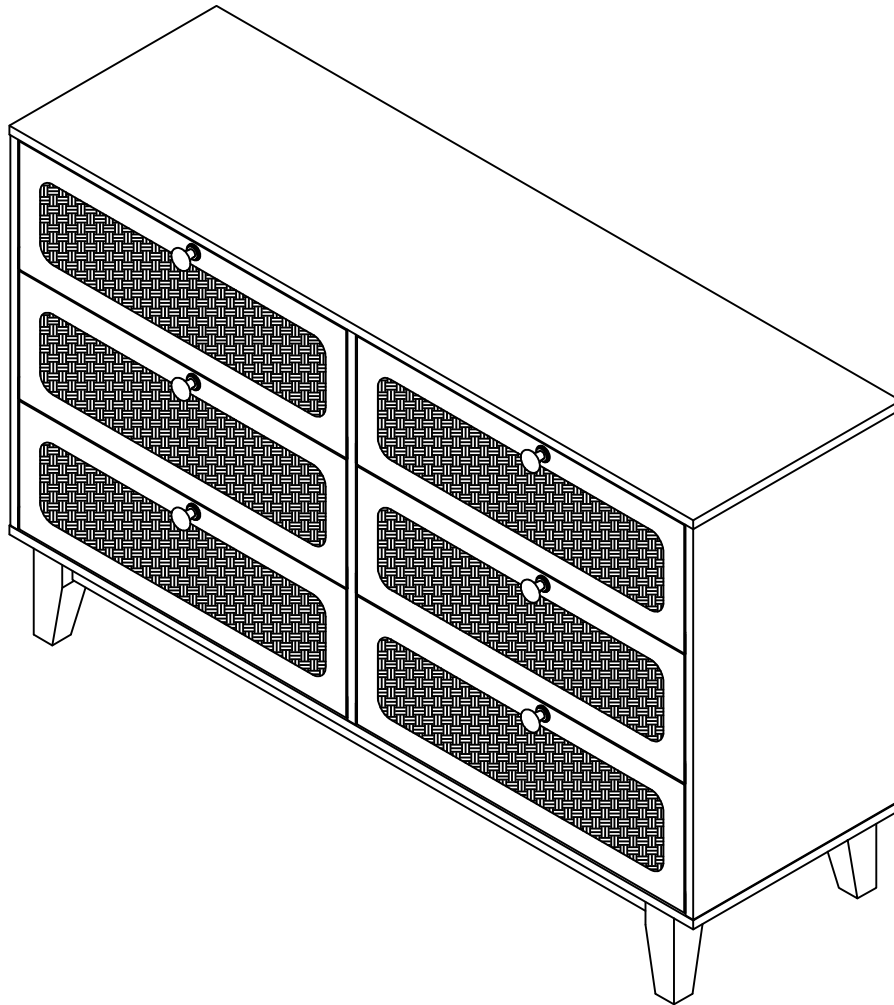
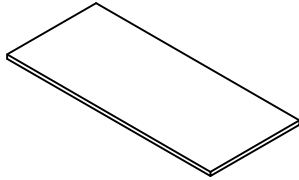


ASSEMBLY INSTRUCTION

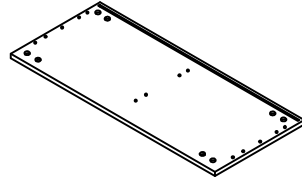


Hardware List

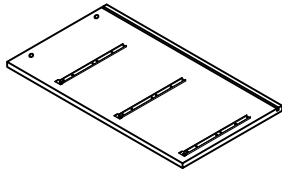
① x 1



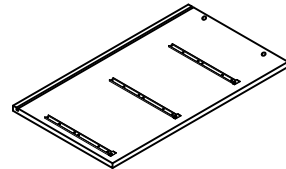
② x 1



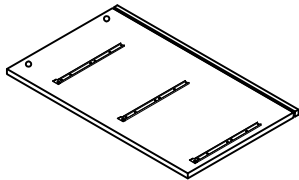
③ x 1



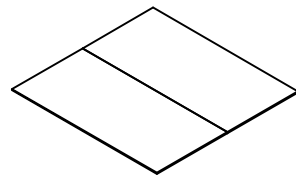
④ x 1



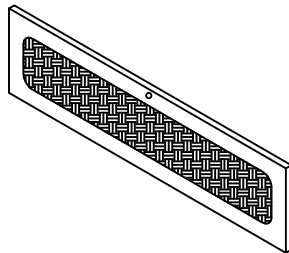
⑤ x 1



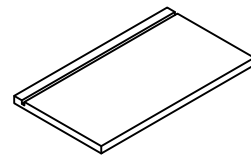
⑥ x 2



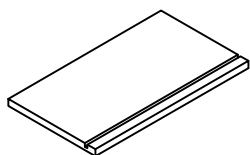
⑦ x 6



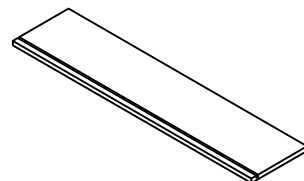
⑧ x 6



⑨ x 6

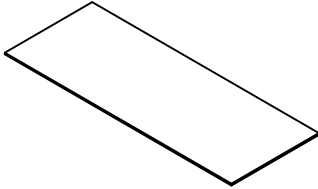


⑩ x 6

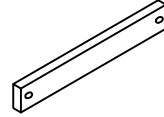


Hardware List

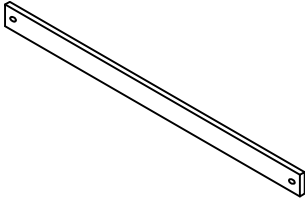
⑪ x 6



⑫ x 2



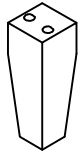
⑬ x 2



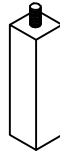
⑭ x 2



⑮ x 2



⑯ x 1



⑰ x 14



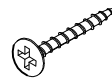
⑱ x 14



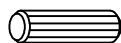
⑲ x 48



⑳ x 21



㉑ x 12



㉒ x 6



Hardware List

23 x 6



24 x 8



25 x 8



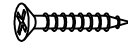
26 x 8



27 x 12



28 x 12



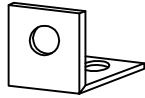
29 x 5



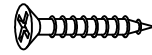
30 x 1



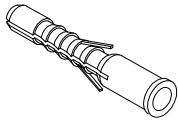
Tip Restraint Kit



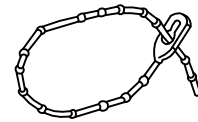
a x 8



b x 8

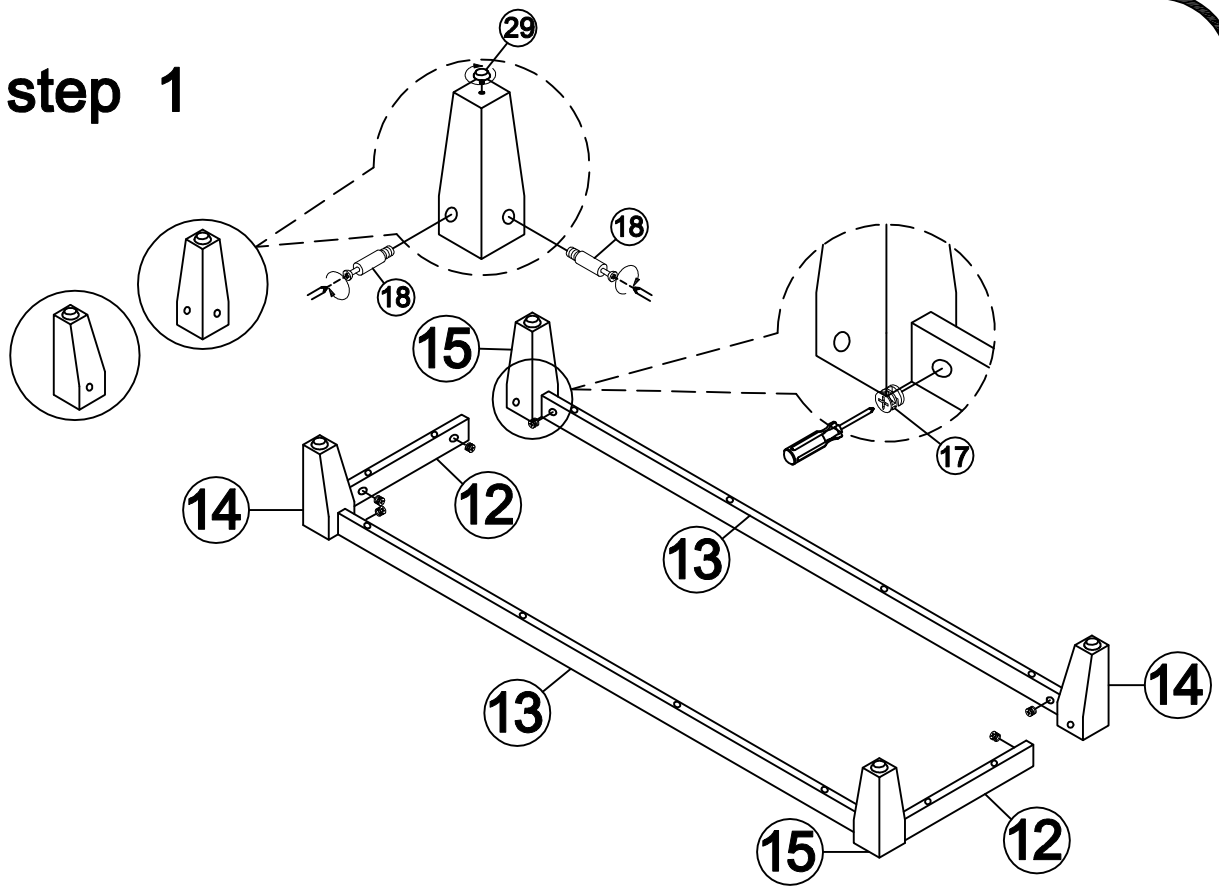


C x 4

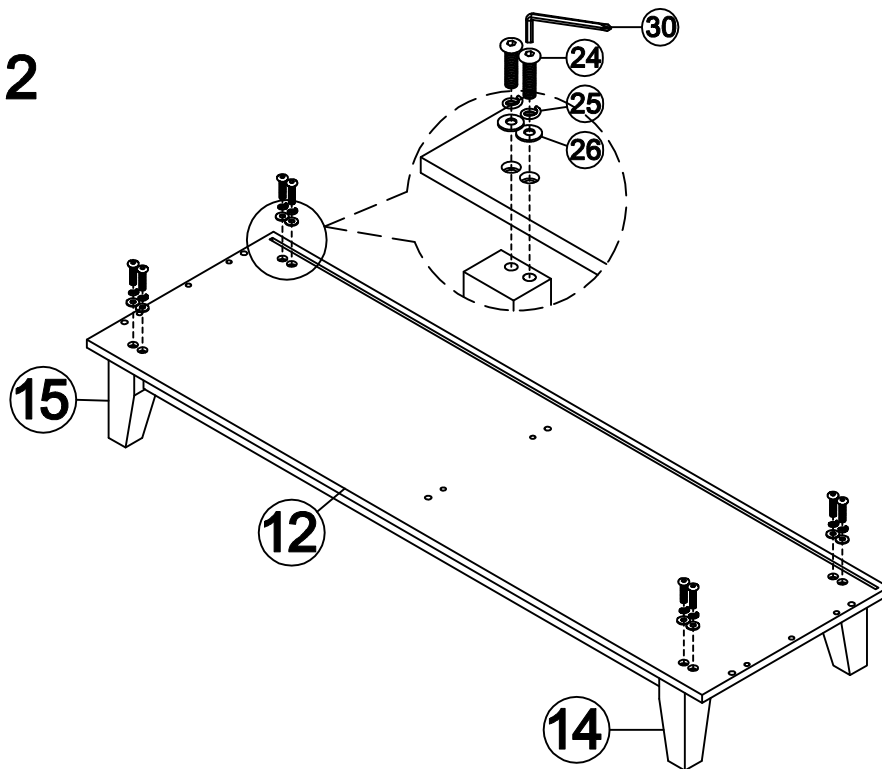


D x 4

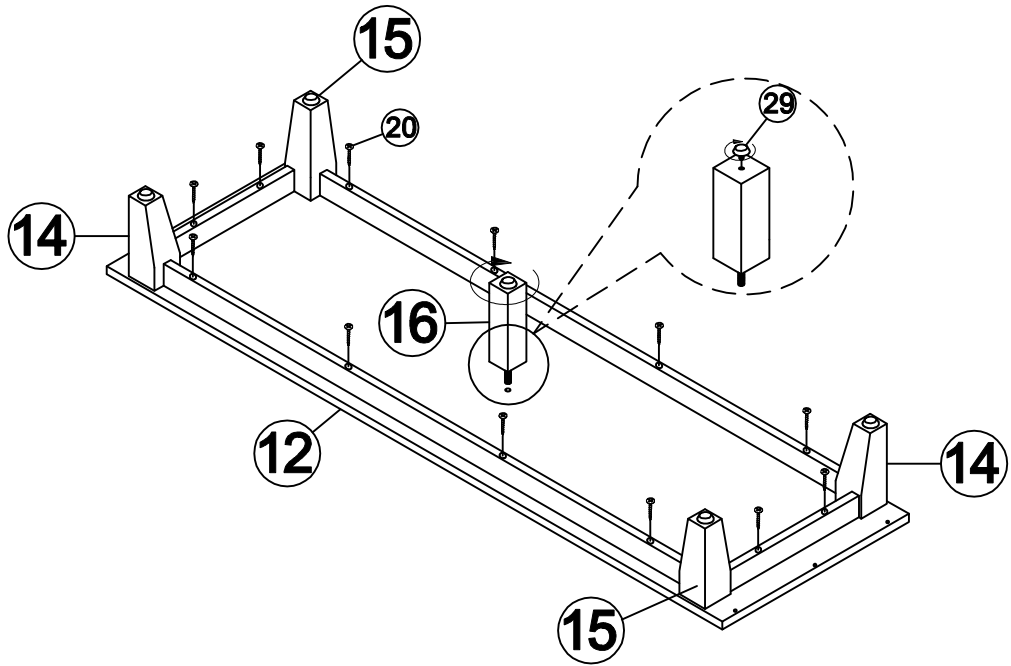
step 1



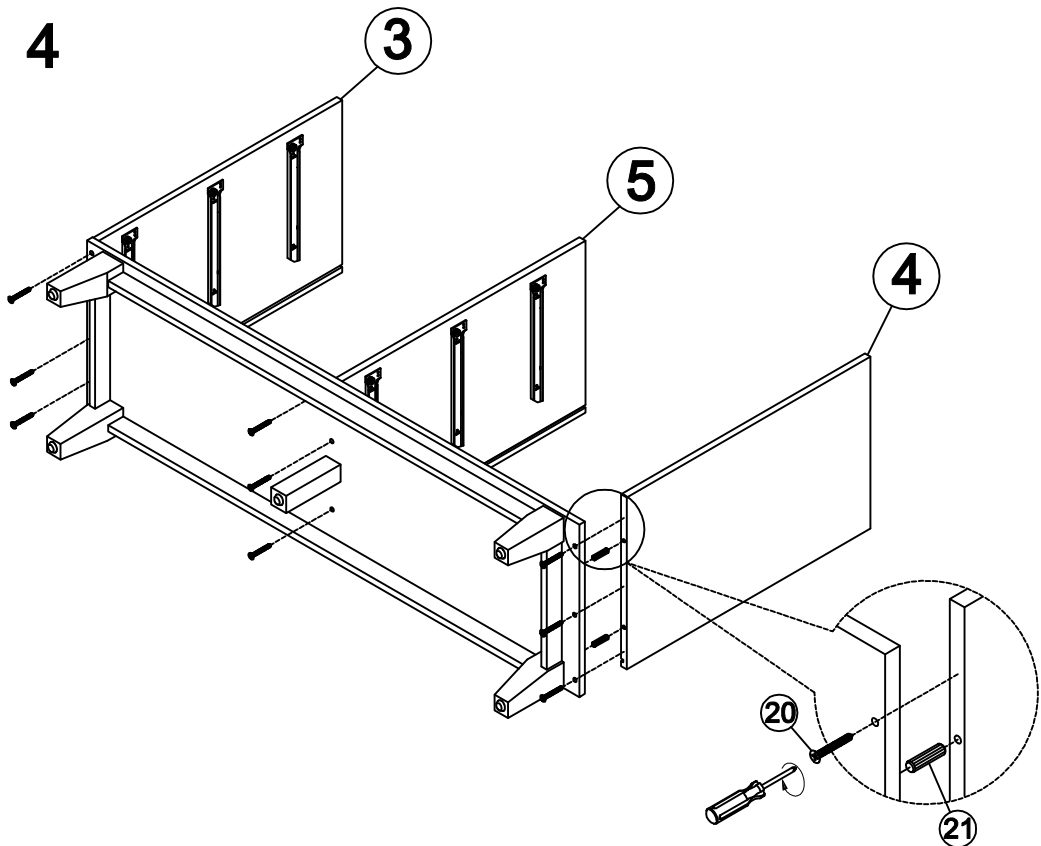
step 2



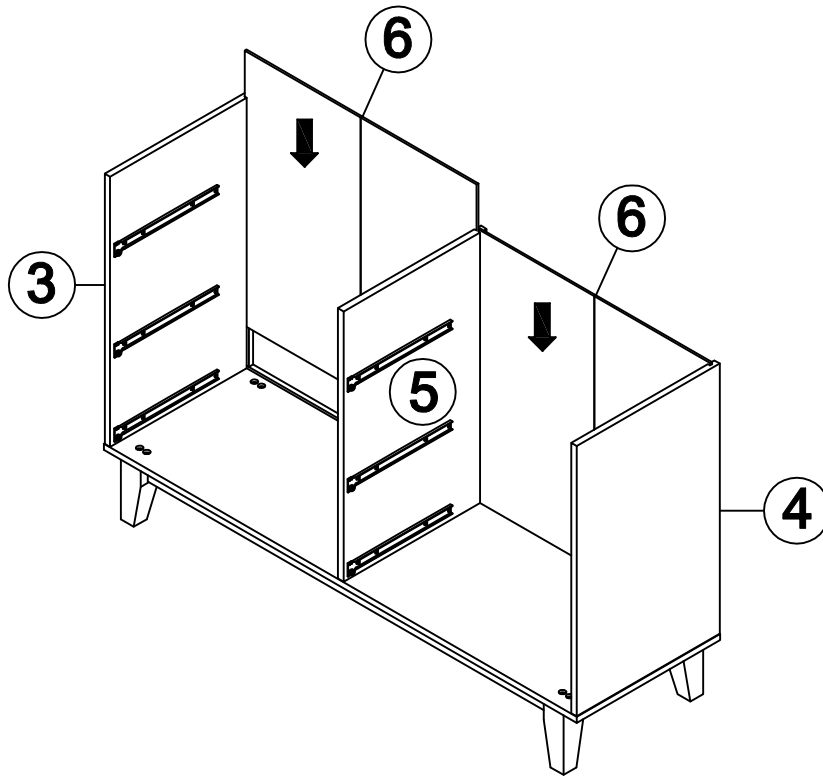
step 3



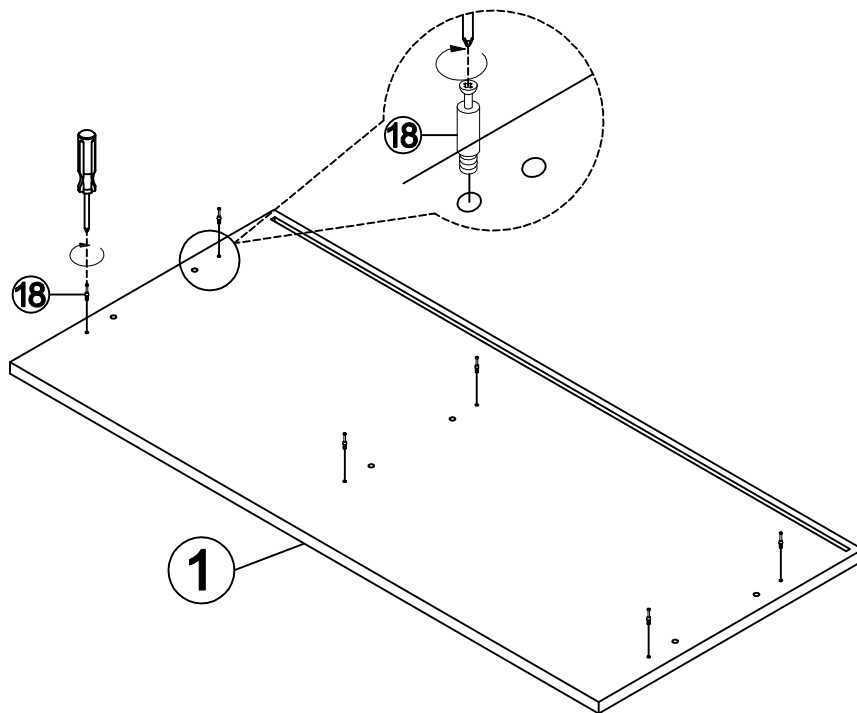
step 4



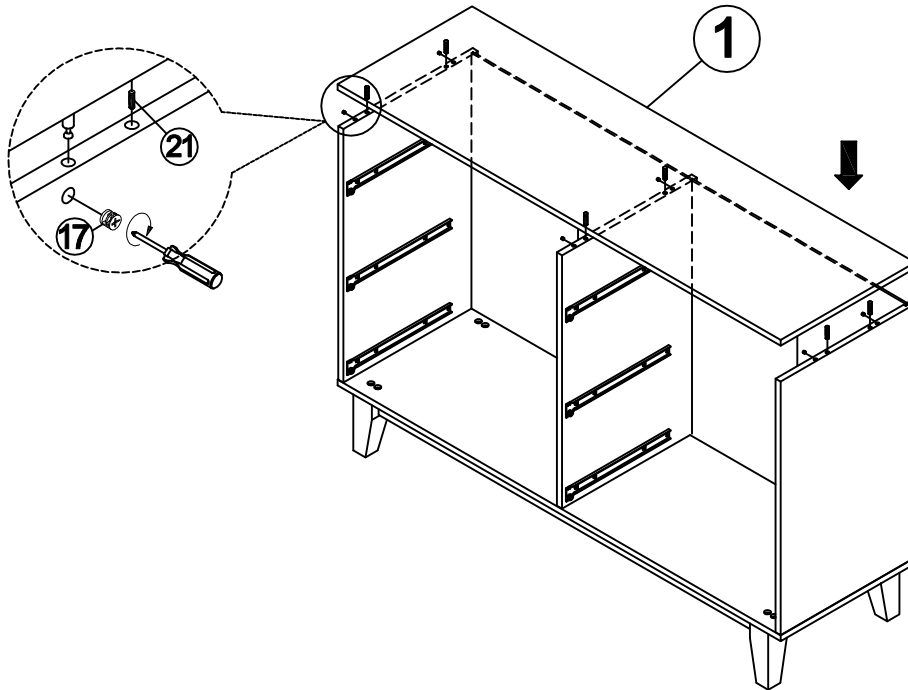
step 5



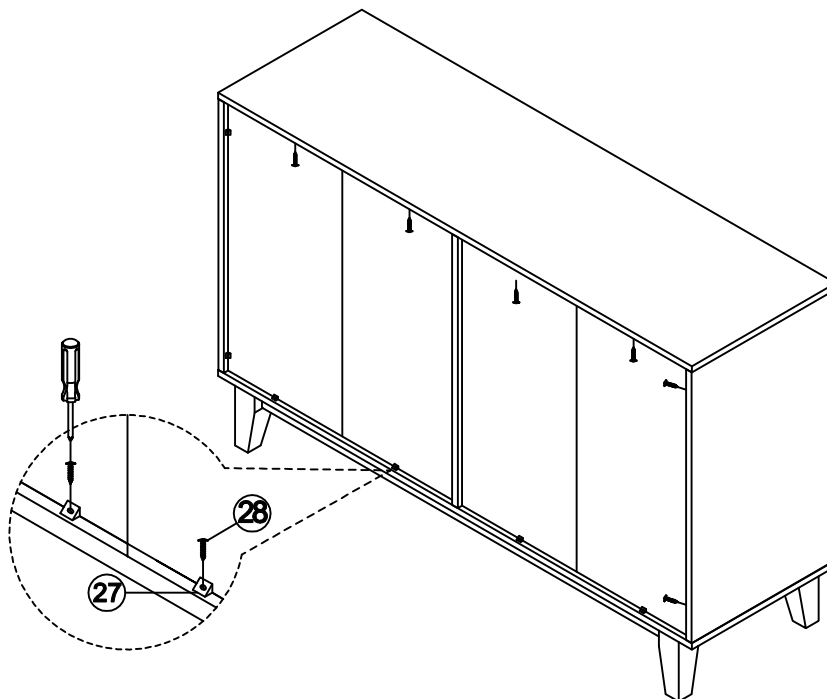
step 6



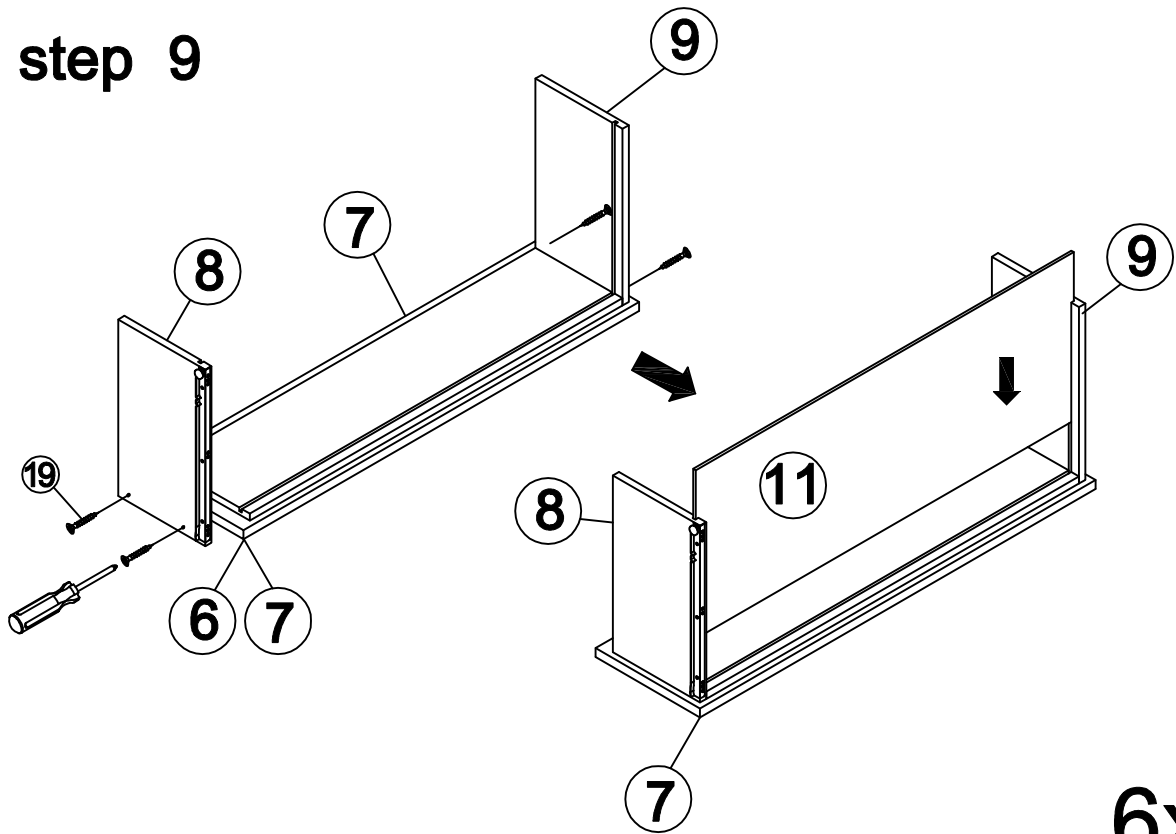
step 7



step 8

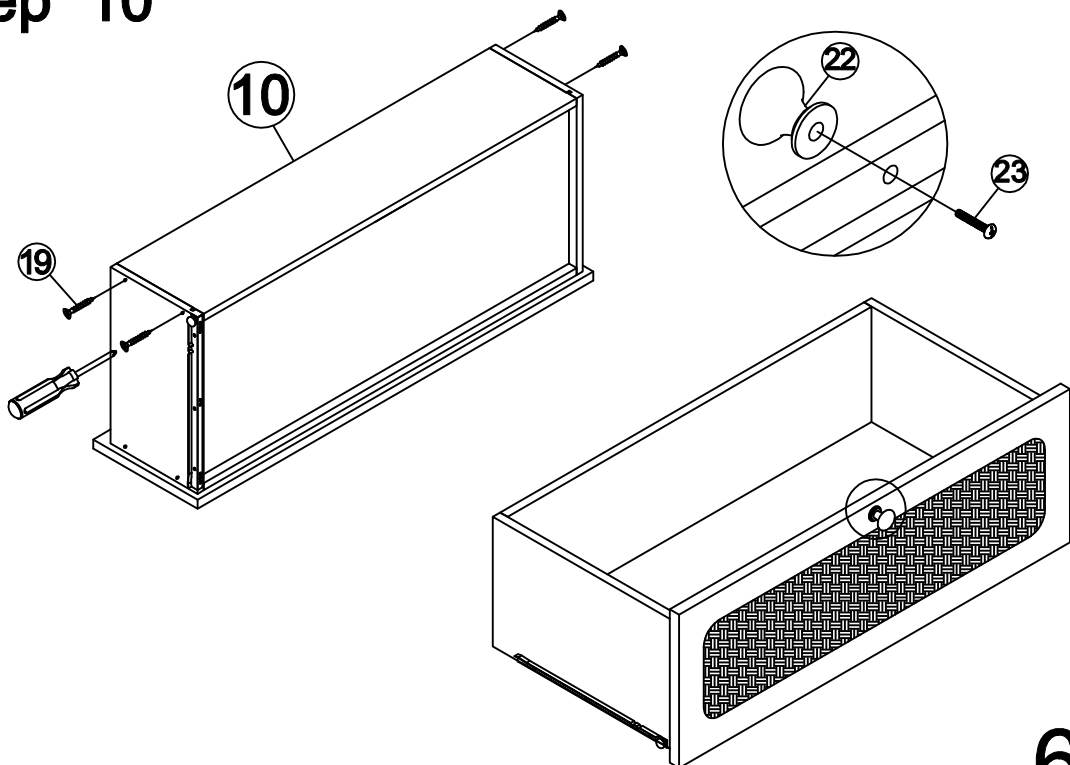


step 9



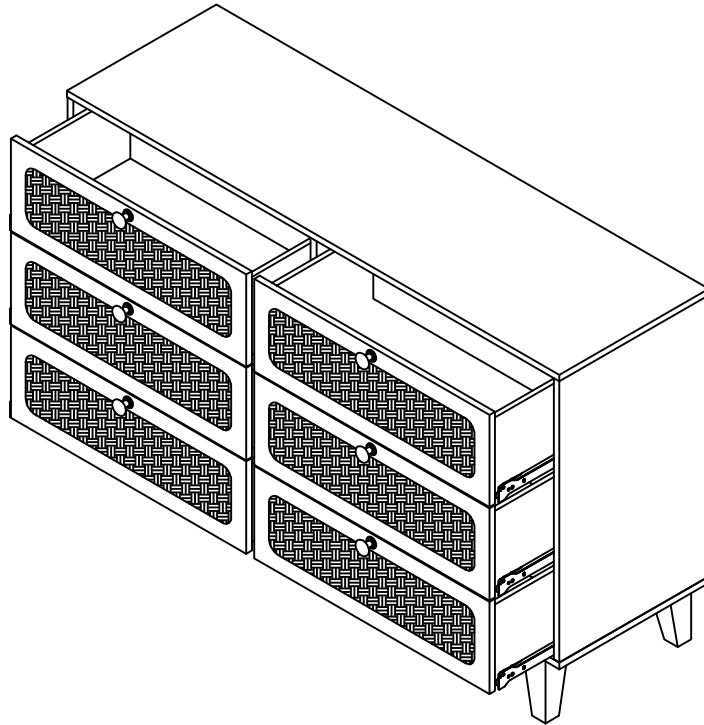
6x

step 10

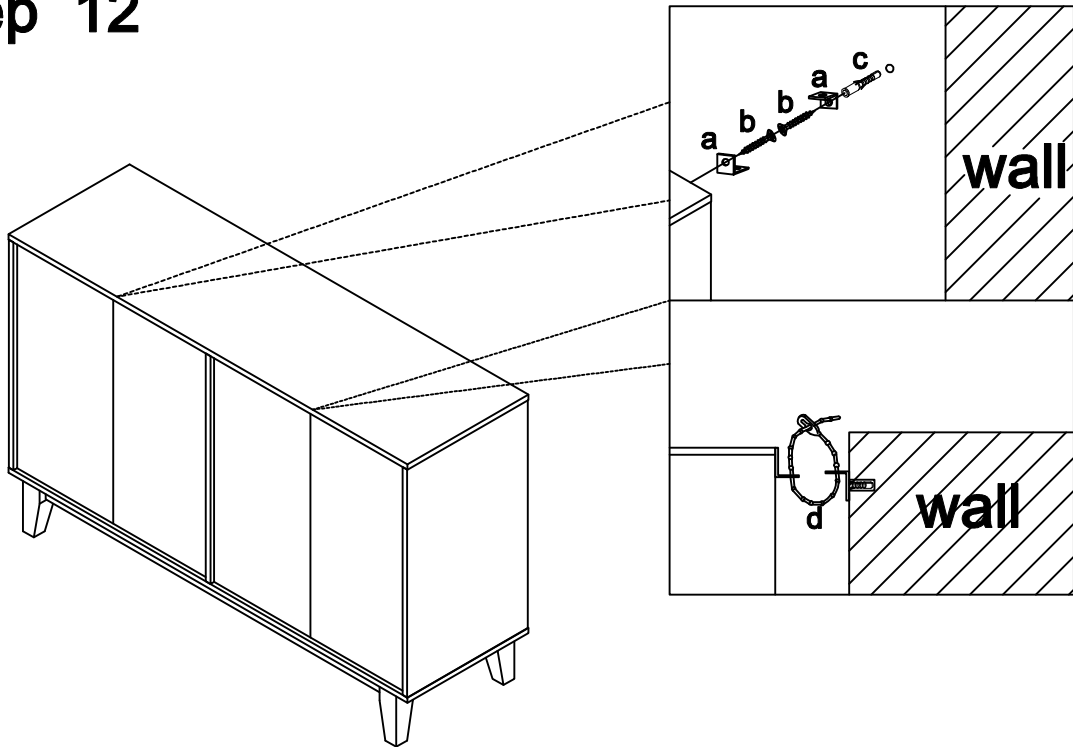


6x

step 11



step 12



step 13

