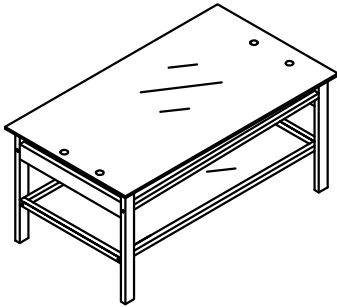


ASSEMBLY INSTRUCTIONS

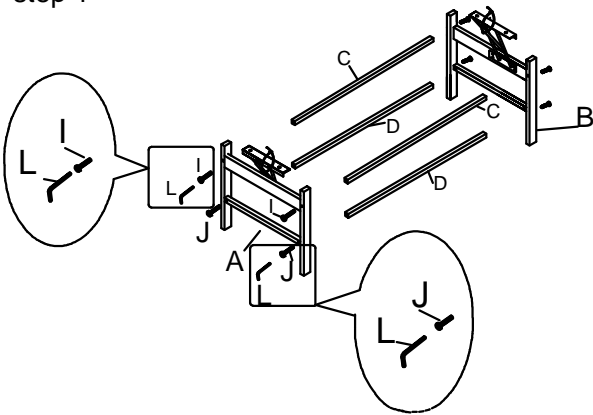
ITEM NO.:CYX2335

PARTS LIST

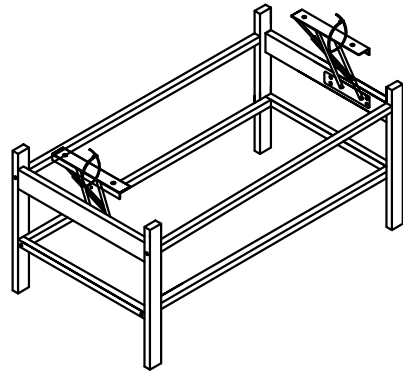
NO.	DESCRIPTION	SKETCH	Q'ty	NO.	DESCRIPTION	SKETCH	Q'ty
A	LEFT SIDE FRAME		1PC	I	BOLT 1/4*2"		4PCS
B	RIGHT SIDE FRAME		1PC	J	BOLT 1/4*1"		4PCS
C	UPPER STRETCHER		2PC	K	BOLT 1/4*1/2"		6PCS
D	LOWER STRETCHER		2PC	L	ALLEN WRENCH		1PC
E	MIDDLE STRETCHER		1PC	M	SELF-ADHESIVE SUCKER		4PCS
F	IRON GAUZE		1PC				
G	GLASS GOP		1PC				
H	SHELF		1PC				



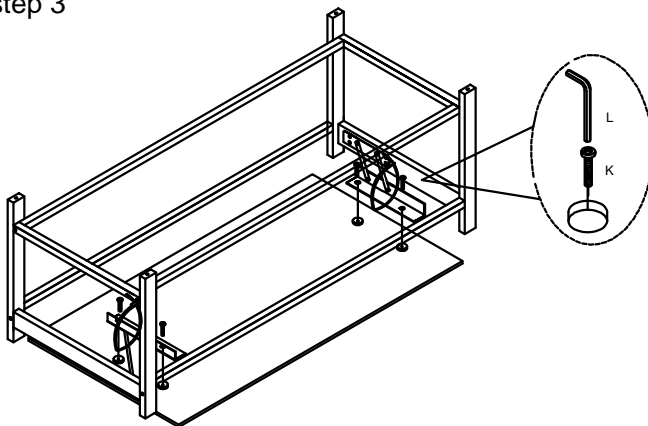
step 1



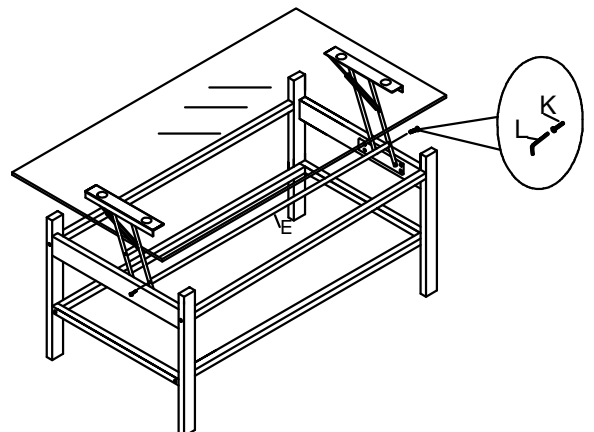
step 2



step 3



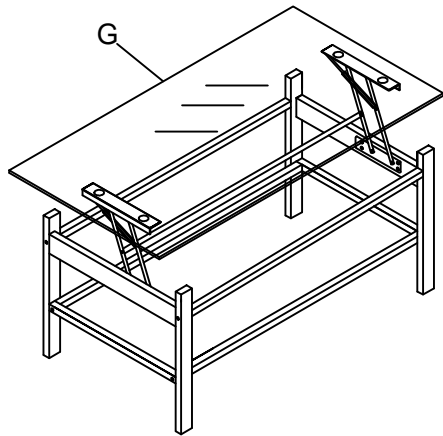
step 4



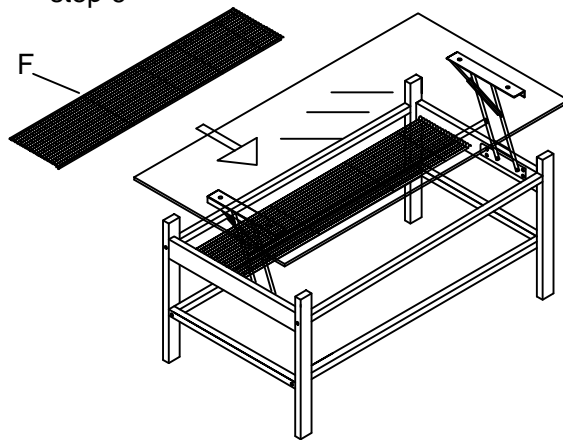
ASSEMBLY INSTRUCTIONS

ITEM NO.:CYX2335

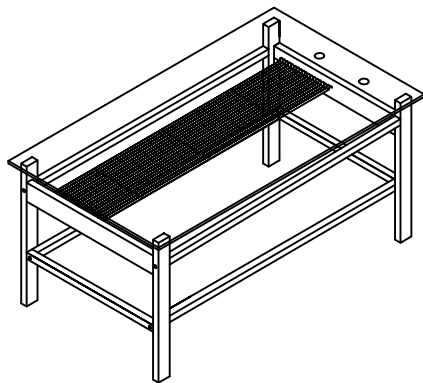
step 5



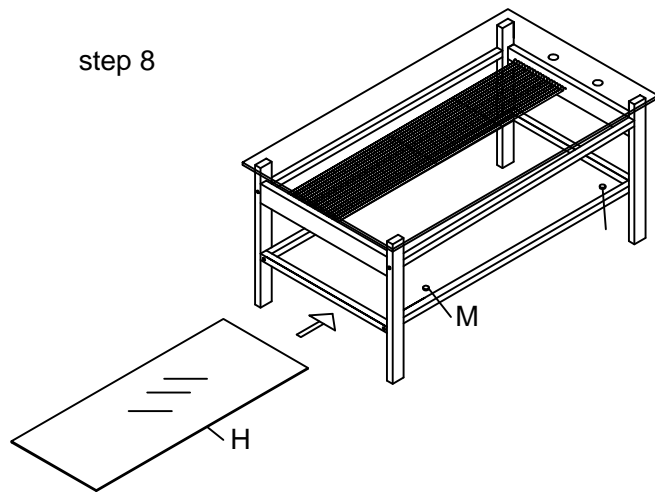
step 6



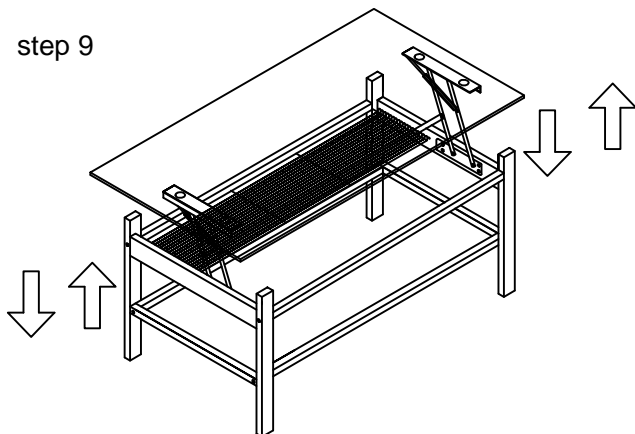
step 7



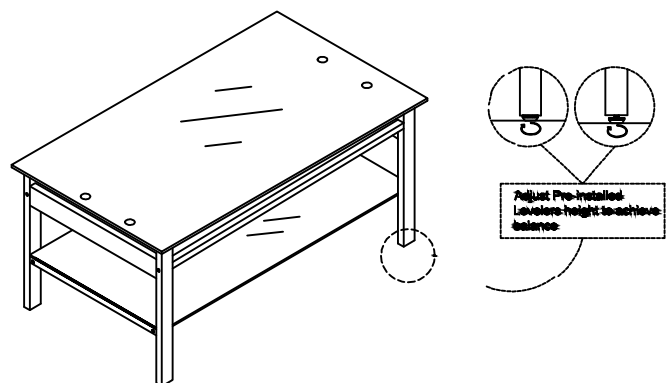
step 8



step 9



step 10



Please lift both sides at the same time when lifting the desktop up or down