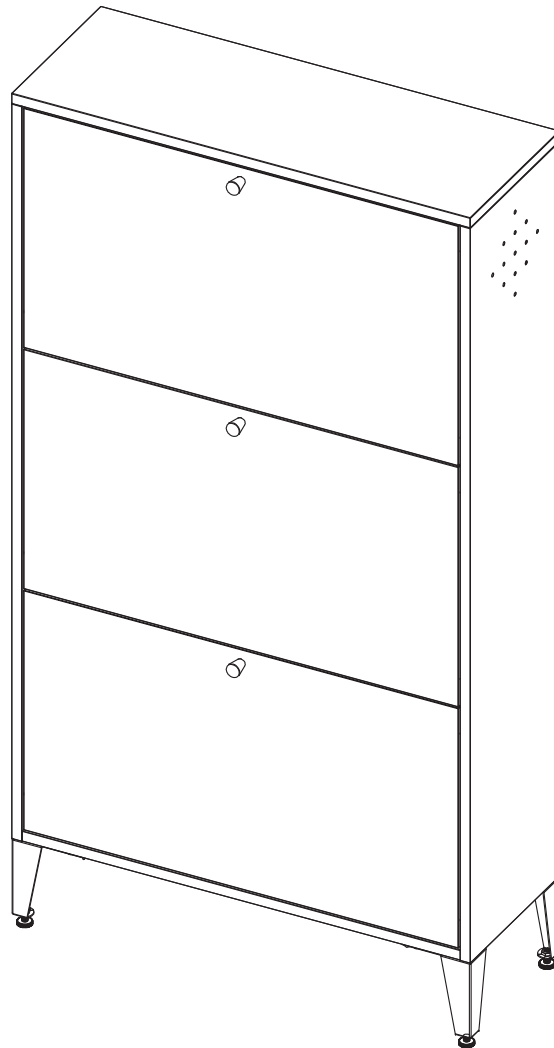


Instruction Manual

Model:W1779P186941



- ▲ Thank you for choosing our products! Please take the time to read and familiarize yourself with the proper installation steps described on the following pages.
- ▲ During the installation process of this cabinet, you need to use an electric drill, screwdriver and hammer. You need to prepare in advance. The above installation tools are not included in this product.

IMPORTANT

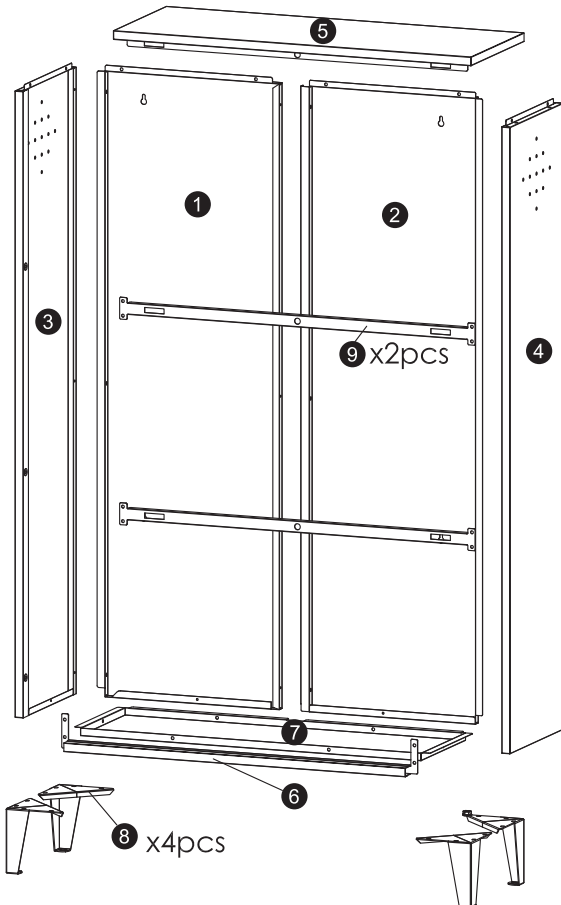
⚠ WARNING



- Tip over hazard: secure the safety! The cabinet can be tipped over by children or adults, so we suggest that you could mount the cabinet on the wall.
- Do not move this cabinet using its handle.

Cabinet exploded view

Parts List



- | | | |
|--------------------|----------------|------------|
| ① Left back plate | ⑤ Top plate | |
| ② Right back plate | ⑥ Underframe | |
| ③ Left side plate | ⑦ Bottom plate | |
| ④ Right side plate | ⑧ Foot | ⑨ Pull rod |

Ax87pcs 	Bx4pcs (Foot mat) 	Cx4pcs (Expansion screw) C1 C2	Dx6pcs (Magnetic lock)
Ex3pcs (Rubber buffer) 	Fx3pcs (Handle) 	Gx3pcs 	Hx6pcs

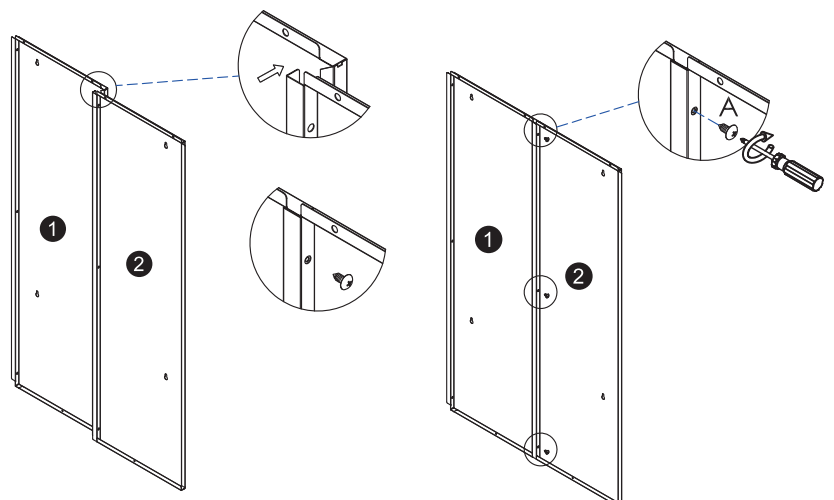
Tips:

The serial number labels are attached to the inside of the parts, please distinguish the parts according to the exploded view on the left.

In order to prevent the loss of accessories during the installation process or for future accessory replacement, there is a spare parts package in the product. Please keep it properly.

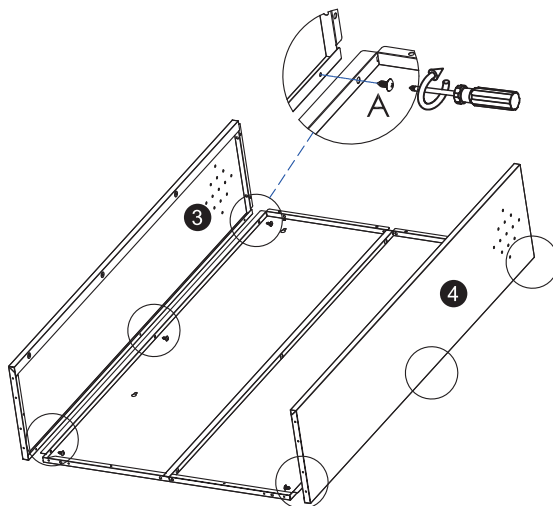
Step 1 Cabinet back installation

Align ① and ② and lock it in place, then fix it with three screws A

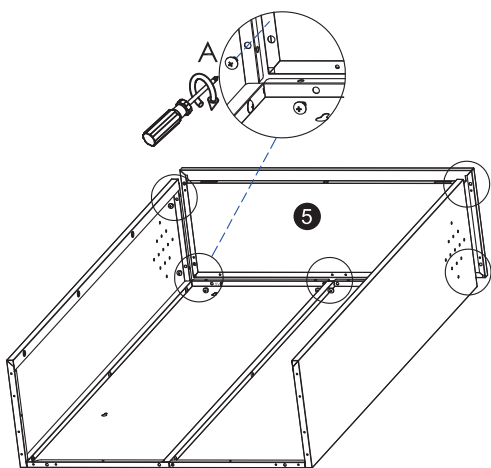


Step 2 Cabinet side installation

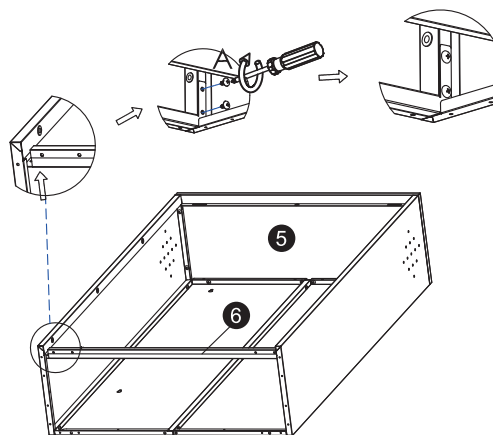
Align ③ and ④ on both sides, clamp them at the appropriate position and align the screw holes, and then fix them with six screws A.



Step 3 Cabinet top and underframe installation



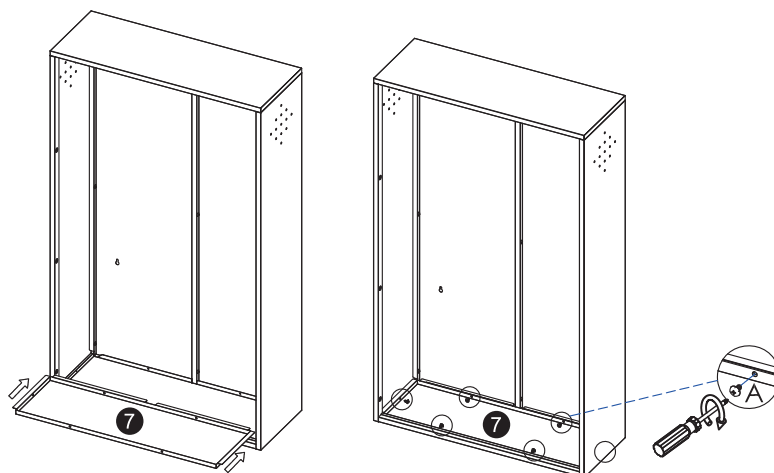
Put ⑤ on the top of the cabinet and align it, then fix it with eight screws A.



Put ⑥ in the designated position and fix it with four screws A.

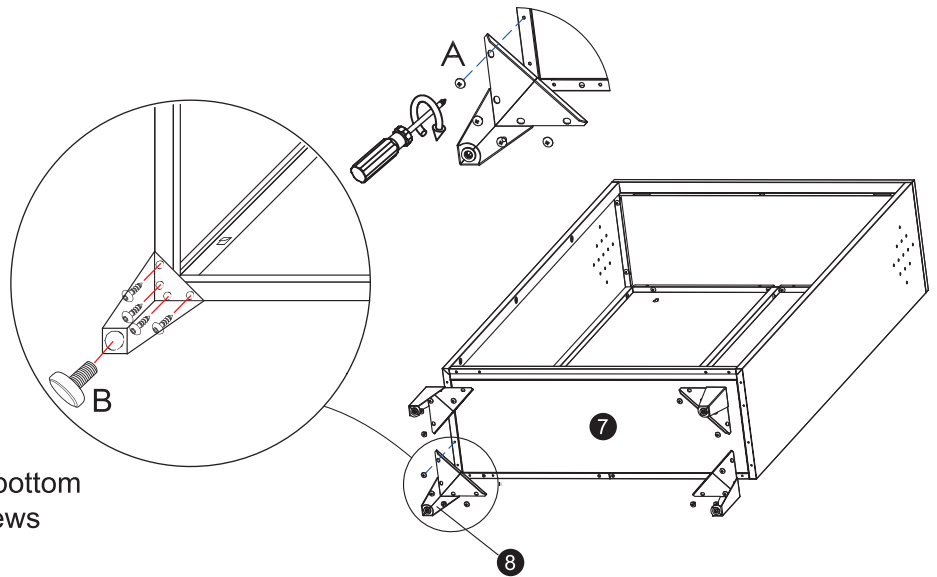
Step 4 Cabinet bottom installation

Place ⑦ at the bottom and fix it with six screws A.



Step 5 Foot and foot mat installation

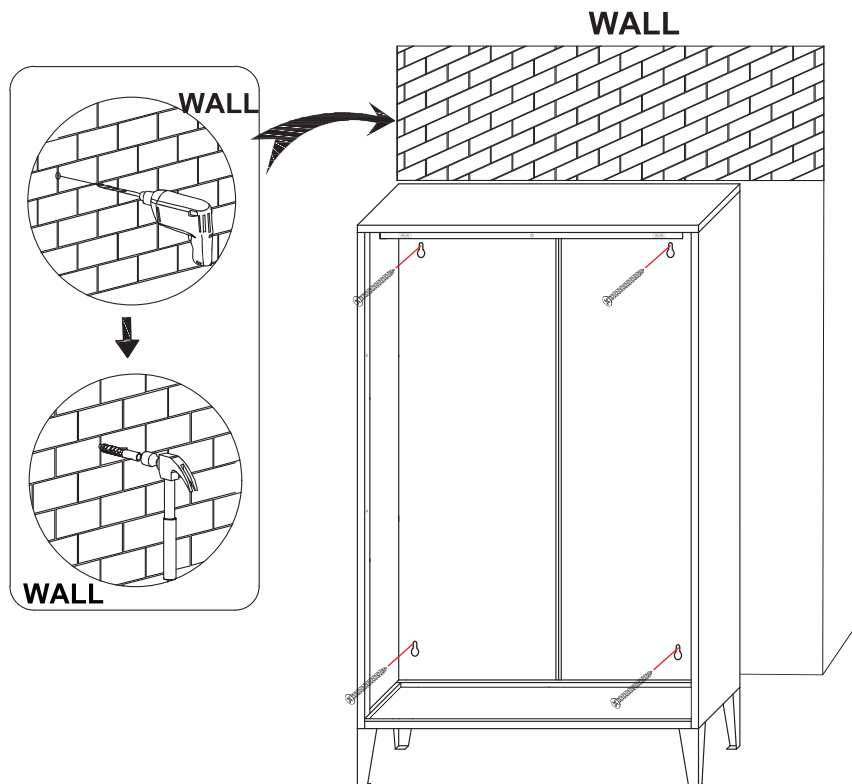
Tips: The cabinet comes with four adjustable or removable feet to prevent scratching the floor. The stability of the cabinet can be improved by adjusting the foot mats.



Lay the cabinet down, align ⑧ with the bottom screw holes on ⑦, and fix it with 16 screws A. Then rotate to install B.

Tips: If the cabinet shakes, the mats pads can be adjusted to make the cabinet more stable.

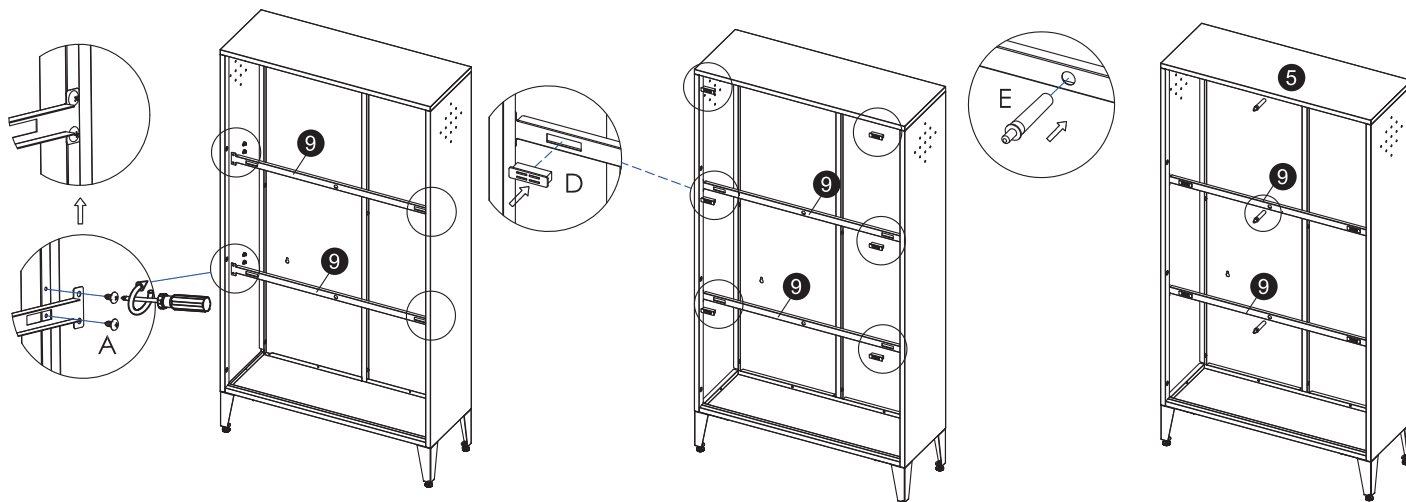
Step 6 Wall mount (Please choose to mount according to individual needs)



- Place the cabinet in the desired position, mark the drilling points on the wall from the mounting holes inside the cabinet, then remove the cabinet and drill holes.
- Use a hammer to drive the expansion bolts (C2*4 pcs) into the drilled holes, and then place the cabinet so that the mounting holes are aligned with the drilled holes.
- Screw the expansion screws (C1*4 pcs) into the drilled hole.

Tips: we suggest that you could mount the cabinet on the wall to prevent the cabinet from falling.

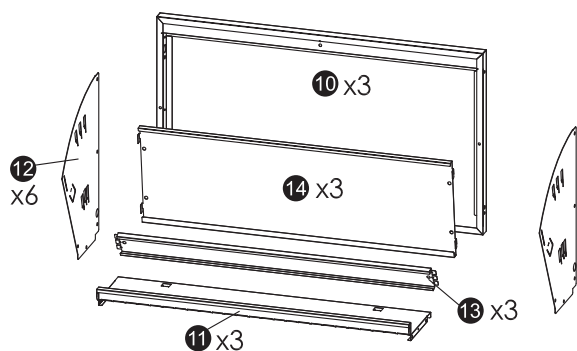
Step 7 Foot and foot mat installation



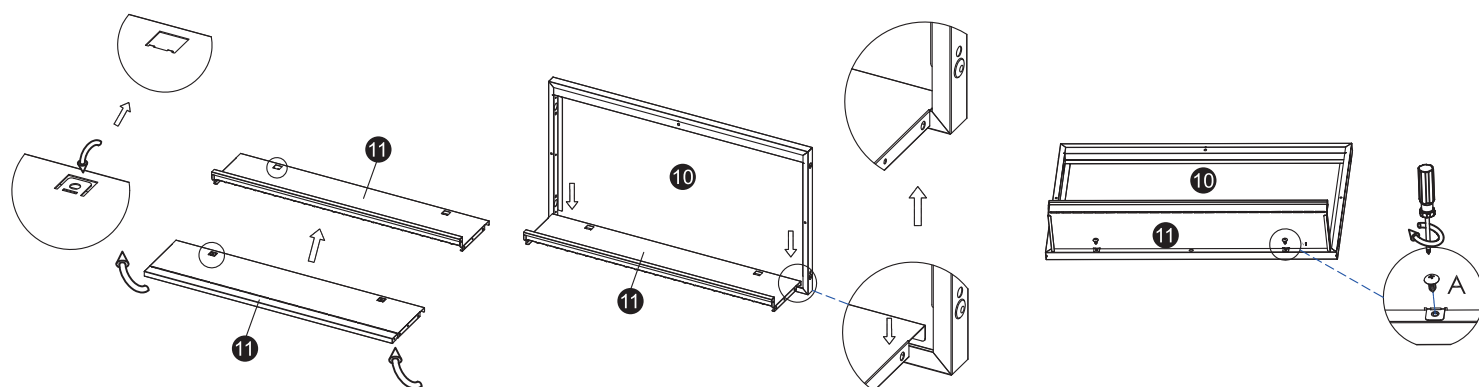
Install two ⑨s at the positions as shown in the figure, and fix them with 8 screws A. Then insert D into both sides of the top and ⑨.

Insert E respectively into the hole in the middle of the top and the hole in the middle of ⑨.

Step 8 Drawer assembly (Drawers can be installed according to this part number sequence)



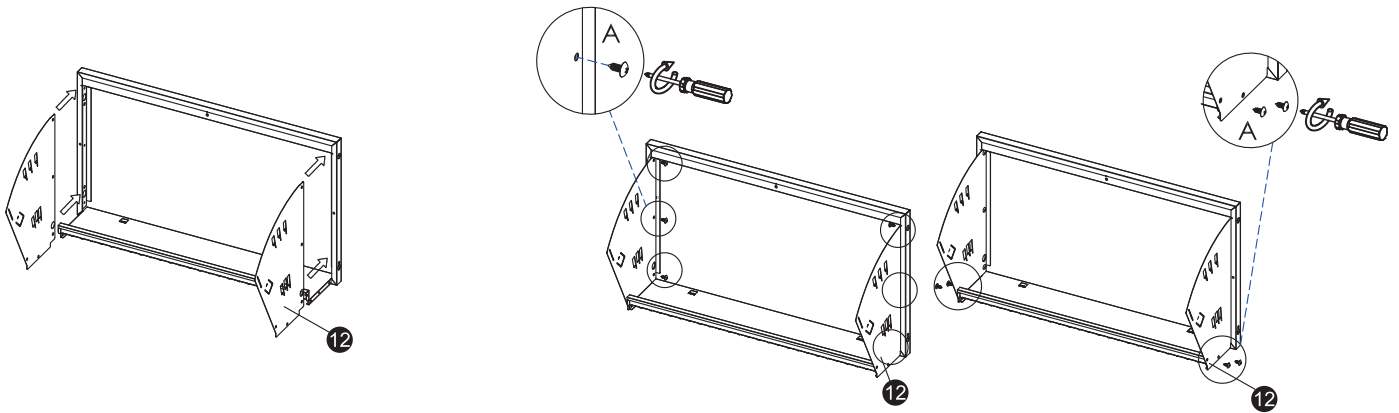
- ⑩ Drawer front
- ⑪ Drawer bottom
- ⑫ Drawer side
- ⑬ Drawer backslash
- ⑭ Drawer divider



Bend the front end of ⑪ upwards, the back metal buckle downwards, and then clamp it to the bottom of ⑩.

Fix it with two screws A.

Step 9 Drawer side installation

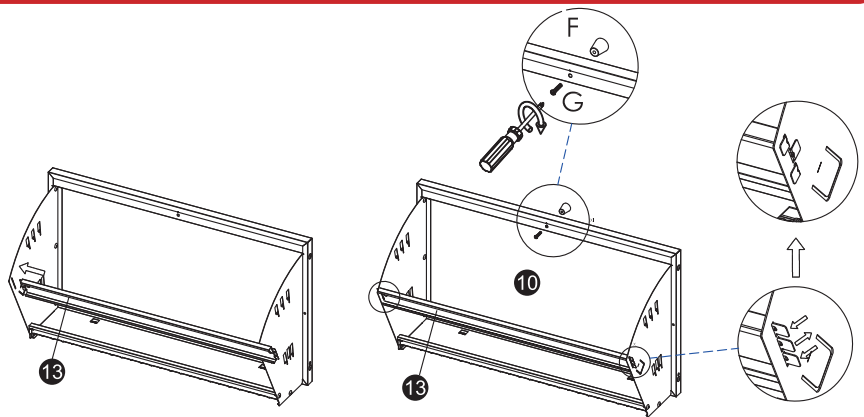


Insert ⑫ into both sides of the drawer.

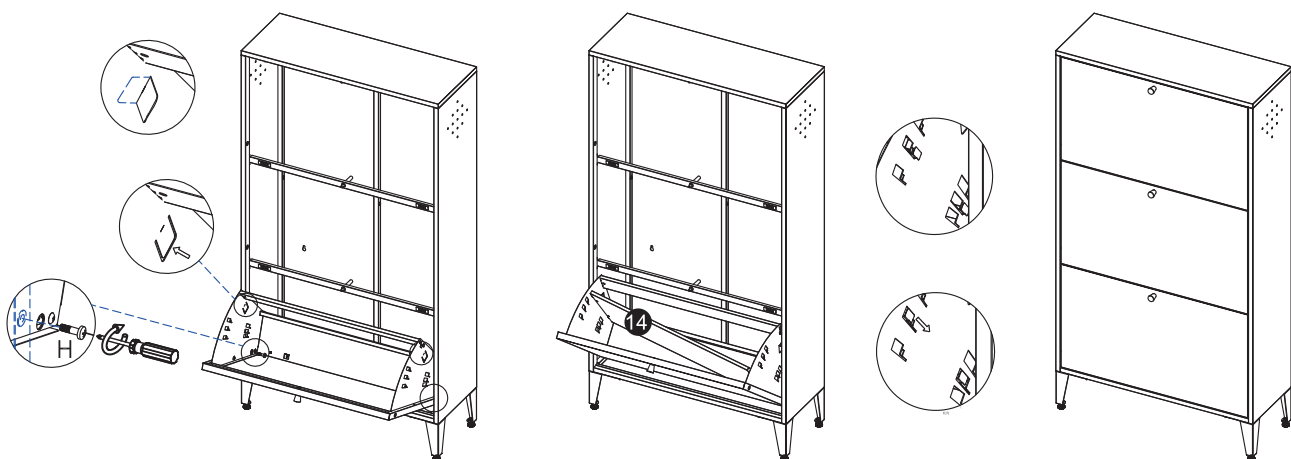
Fix both sides and the bottom with 10 screws A.

Step 10 Drawer backslash installation

Insert ⑬ into both sides of the drawer and bend the metal buckle to fix it as shown in the figure. Then use one screw G to install F on ⑩.



Step 11 Drawer and divider installation



Install the assembled drawer on the shoe cabinet, and install two screws H to fix both sides. Then bend the metal buckle on ⑫ outward to prevent the drawer from falling, as shown in the figure.

Then insert ⑭ into the corresponding holes of the drawer. (⑭ can be adjusted freely according to personal will.)

Notice: Assemble the other two drawers in the same way and then install them on the shoe cabinet, and the assembly is all completed.