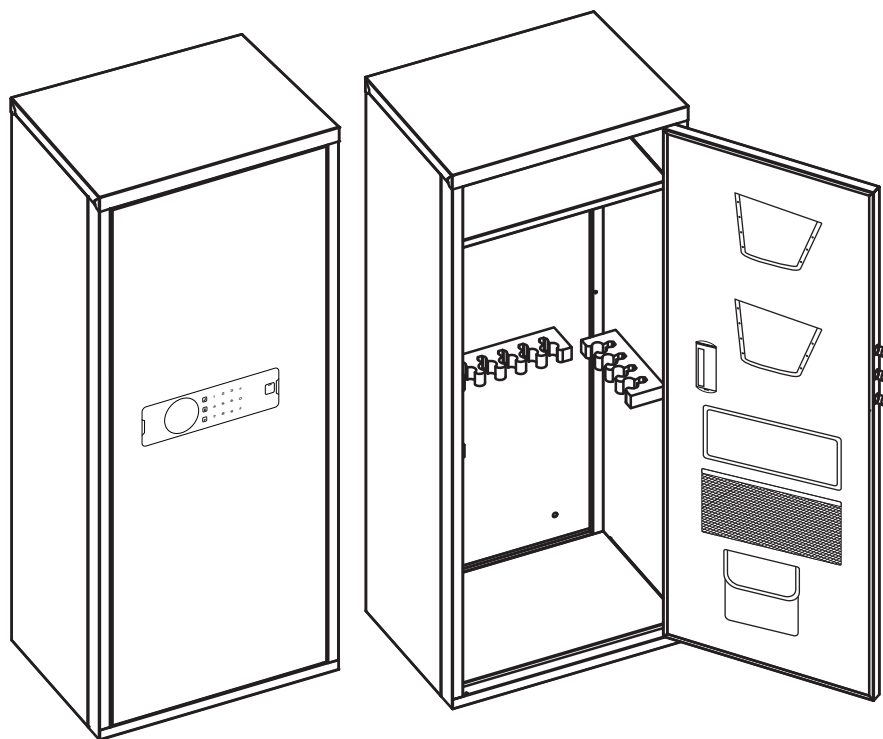


Instruction Manual

SKU:AKM1



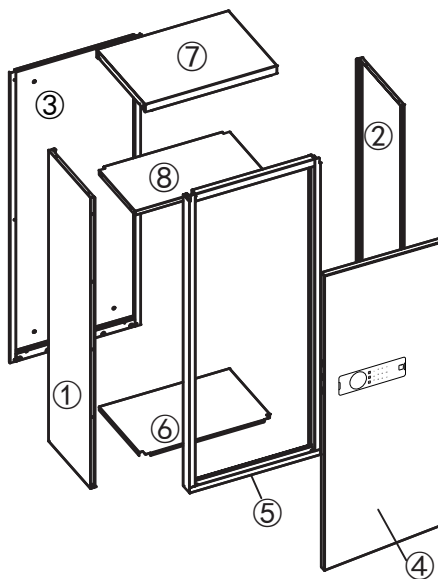
CATALOGUE & WARNING



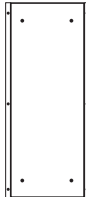





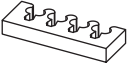
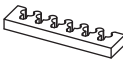
Cabinet Exploded View & Part List	1
Installation	2-5
Cabinet Display	6
Cabinet Settings and Function Introduction	7-9
Trouble Shooting	10

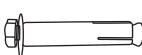





Exploded View & Part List

Tips

1. Please read the complete installation instructions carefully before assembling the gun cabinet.
2. Check the materials to make sure they are normal and not damaged.
3. Refer to the illustrations to identify the parts and accessories of the gun cabinet.
4. Align the holes and tighten the screws during installation.
5. Installation requires two people, and keep children away to avoid accidental injury.



				
①	②	③	④	⑤
(Left Side Plate) 1 PC	(Right Side Plate) 1 PC	(Back Plate) 1 PC	(Door) 1 PC ④⑤ has been assembled at the factory	
				
⑥	⑦	⑧	⑨	⑩
(Bottom Plate) 1 PC	(Top Plate) 1 PC	(Shelf) 1 PC	(Gun Stock) 2 PCS	(Gun Stock) 1 PC

					
A	B	C	D	E	F
(Expansion Screw) 4 PCS	(Screw) 12 PCS	(Screw) 35 PCS	(Metal piece) 4 PCS	(Screwdriver) 1 PC	(Sensor light) 1 PC

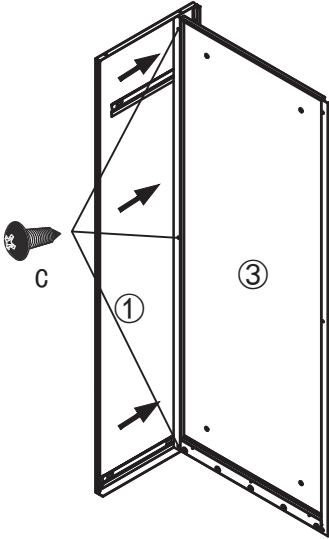
Installation Instructions

⚠ WARNING



- Tip over hazard: Secure the cabinet! The cabinet can be tipped over by children or adults, please make sure the cabinet is mounted on the wall.
- Keep the keys in a secure place away from children.
- Do not move this cabinet using its handle.

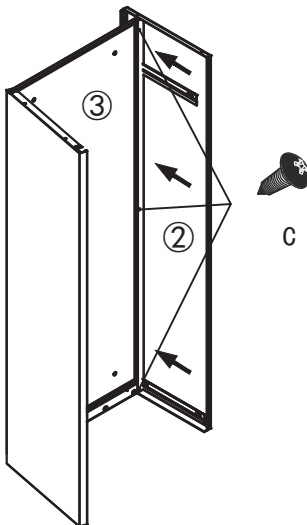
1



Step 1 Left Plate Installation

Fix ① and ③ with three C's.

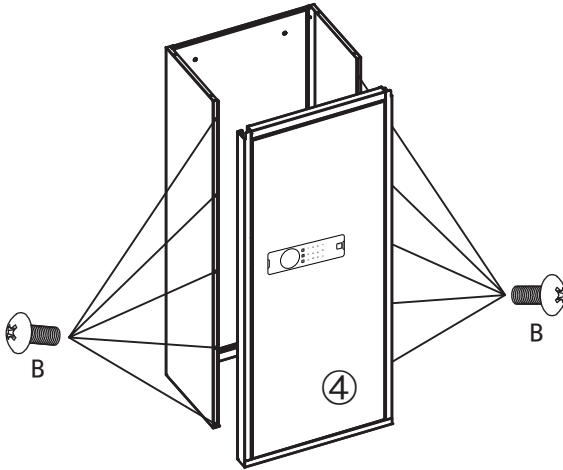
2



Step 2 Right Plate Installation

Fix ② and ③ with three C's.

3



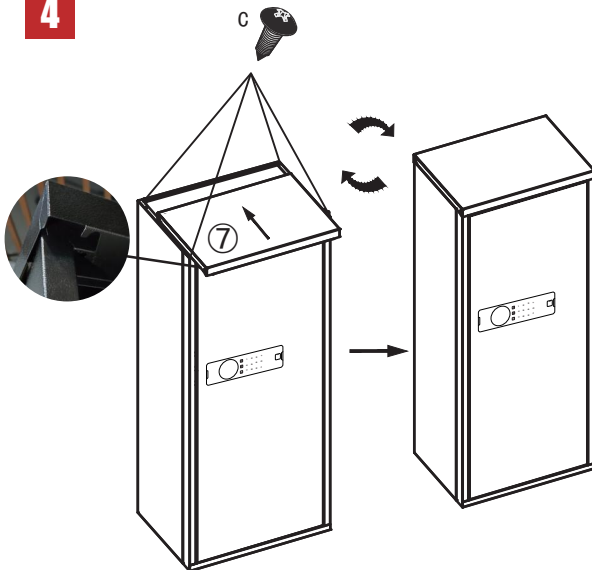
Step 3 Door Installation

Fix ④ on both sides with ten B's.

NOTICE:

Parts ④ and ⑤ were already assembled at the factory.

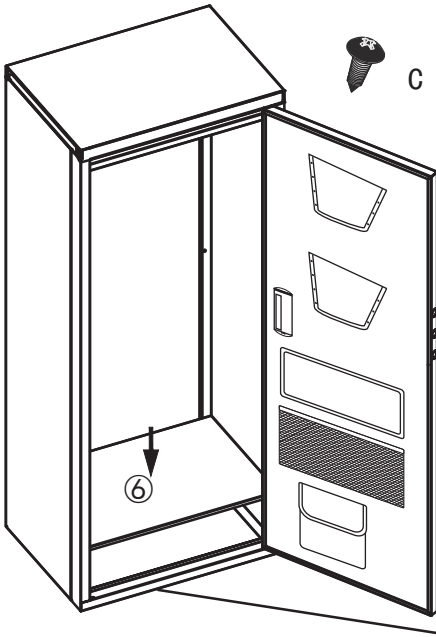
4



Step 4 Top Plate Installation

Install ⑦ and fix it with four C's from the inside.

5



Step 5 Bottom plate Installation

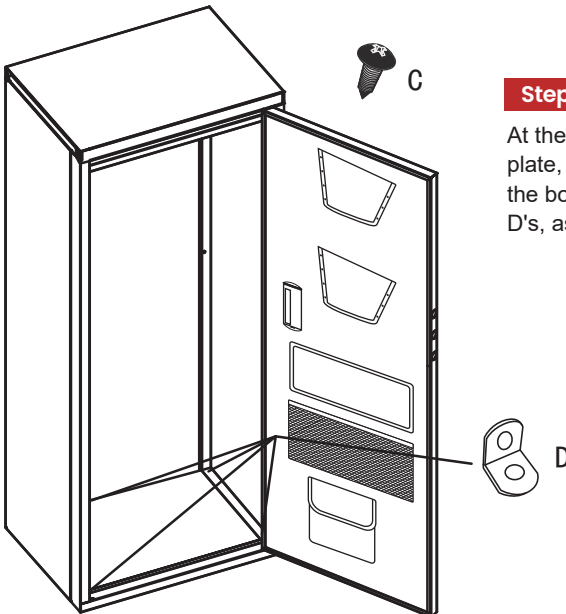
Put ⑥ on the bottom.

NOTICE:

Please lay the cabinet flat and adjust the feet to the same height as the surrounding area to increase the bearing capacity of the cabinet.

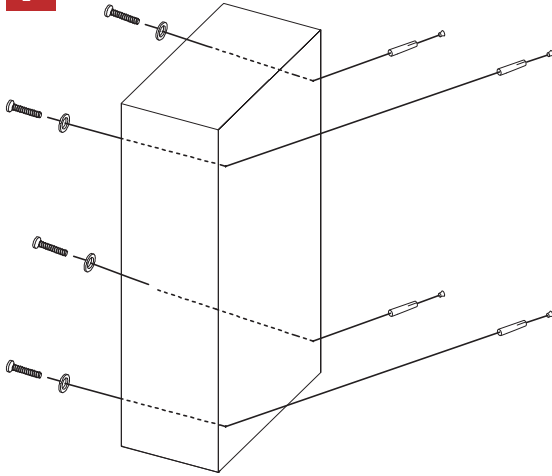


6



Step 6 Fix the Bottom Plate

At the four corners of the interior bottom plate, there are eight pre-drilled holes. Fix the bottom plate with eight C's and four D's, as the picture shows.

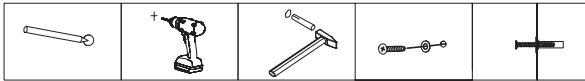
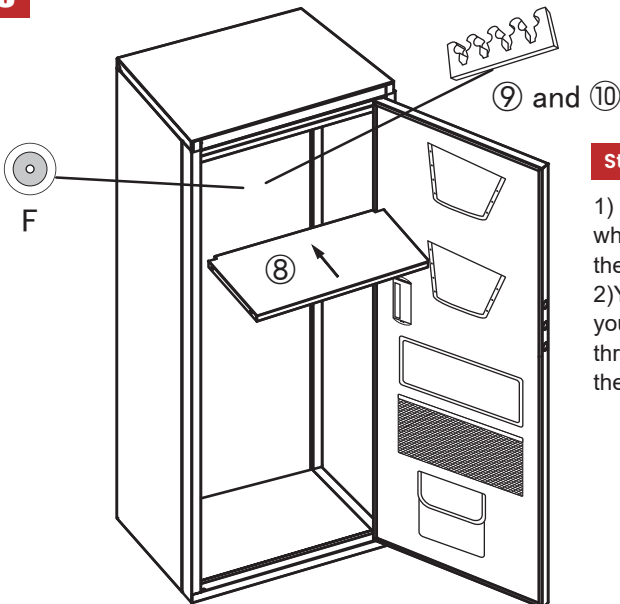
7

Step 7 Mount the Cabinet

Fix the cabinet on the wall with four A's.

NOTICE:

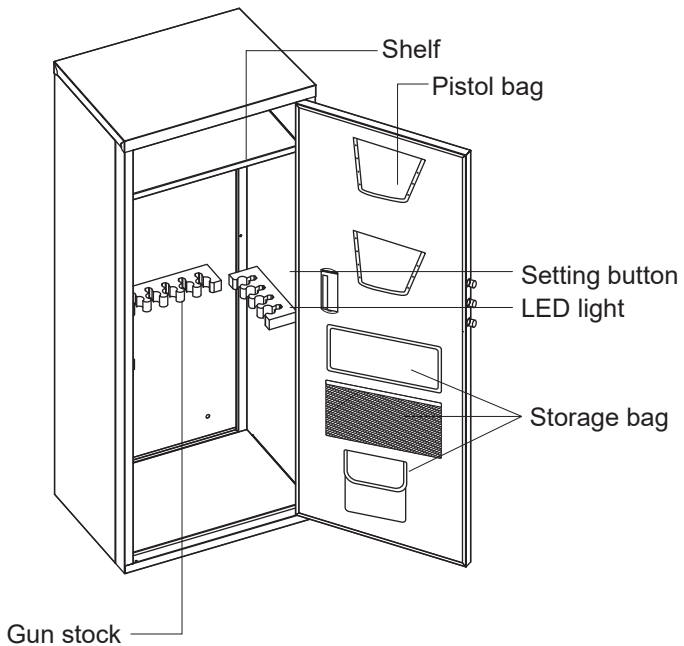
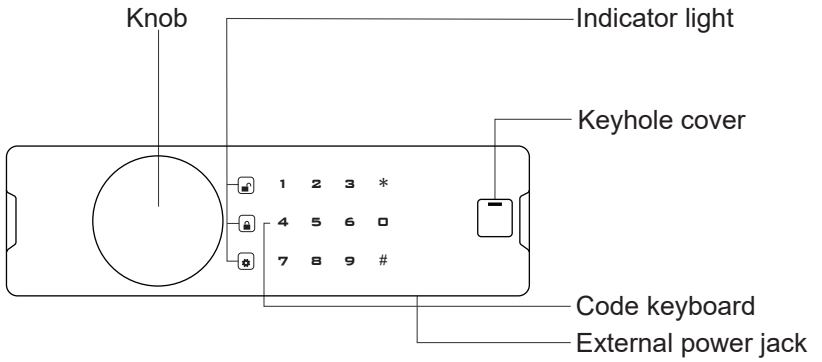
We suggest that you could mount the cabinet on the wall to prevent it from falling. If you choose to do so, do it in this step.

**8**

Step 8 Shelf and Gun Stock Installation

- 1) Install ⑧, then install ⑨ and ⑩ wherever you want, and you can adjust the position as needed.
- 2) You can install the F's in any position you want (The sensor light requires three AAA batteries. It will light up when the door is open or object sensed).

Cabinet Display



First Opening

1. Slide the emergency keyhole cover down.
2. Insert the emergency key into the key hole and turn it counterclockwise.
3. Turn the handle clockwise to open the gun cabinet.
4. Open the door, and then open the cover of battery box.
5. Insert 4 AA batteries (not included). When the batteries are inserted correctly, the indicator light will light up once.

! IMPORTANT

1. Please do not use rechargeable batteries.
2. Do not mix different brands of batteries, and used and new batteries, as it may burn the panel.
3. If the panel is not powered after installing the battery, please check if the battery is low.

User Code Programming

1. Open the safe, keep it open, short press the setting button (on the inner side of the door) , the safe beeps once and the keypad lights on.
2. Input a new code(3-12 digits),then press # to confirm. The buzzer plays a chord, indicating that the code is successfully set.
3. Test the code before you close the door.

! IMPORTANT

It is recommended that users change the default password “123456” as soon as possible after opening the gun cabinet for the first time to prevent unauthorized access to your gun cabinet.

The Second User Code Programming

1. Open the safe, keep it open, touch to wake up the screen, enter 0 twice, then short press the setting button (on the inner side of the door), the safe beeps once and the keypad lights on.
2. Input a new code(3-12 digits),then press # to confirm. The buzzer plays a chord, indicating that the code is successfully set.
3. Test the code before you close the door.

! IMPORTANT

1. 10 seconds without any operation after pressing the setting button, it will go back to standby mode, you need to retry.
2. Please set up both of two codes immediately after receiving the safe.
3. A single beep indicates that the code has been set successfully, thrice beep indicates that the two codes entries are inconsistent, please repeat the procedures.

Low Battery Warning

After installing the batteries or entering the password, if the safe is consistently beeping, it indicates that the battery power is low and new batteries need to be replaced.

Dual Alarm System

1. After 3 consecutive times of wrong codes, the alarm system will be activated and last 30 seconds, enter the right code, then #, to cancel it.

2. In standby state, press *, there is a beep and all the lights came on at once, the vibration alarm mode is turned on. If the box is shaken or hit violently, it will give an alarm immediately for 30 seconds, at this point, enter the correct code to stop the alarm.

▲NOTICE:

1. After safe is opened with code, the vibration alarm will be turned off and needs to be turned on again.

2. When you forget the code, the alarm can be stopped by using the key to open the safe and remove the battery to cut off the power.

Restore Factory Settings

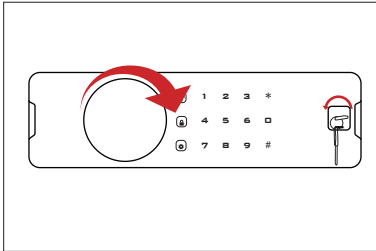
Keep pressing the setting button for 5 seconds until you hear a beep, indicating that the reset has been successful. At this point, all codes will be invalid and need to be reset.

NOTICE:

The default code is “123456”.

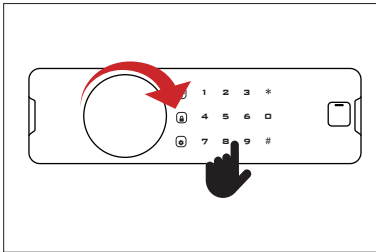
Three Ways to Open the Cabinet

1. The first way to open: Use the emergency key.



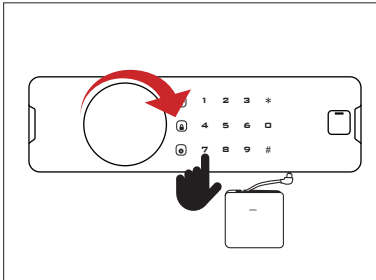
Insert the emergency key into the right keyhole, turn counterclockwise to the limit and hold still, then rotate the knob clockwise to open the safe (Suitable for the first opening, forget code or weak battery).

2. The second way to open: Use the code.



After installing the battery, enter your code and then press the # key to confirm, rotate the knob clockwise to open the safe (Suitable for quick access and daily use).

3. The third way to open: Use the emergency battery box + code



When the battery of your safe is weak and you can't find the keys, please insert the emergency battery box into the external power jack, then enter the correct code to open the door (Suitable for the battery is out of power and the key can not be found).

NOTICE:

Every time you open the safe, you need to press the “#” key first, then enter your code, press the “#” key to confirm, and turn the knob clockwise to open.

Trouble Shooting

Malfunction	Cause	Solution
Inserting the battery does not work	Battery drained	Replacement battery
	Electrode reversed	Put the battery in the correct position
Can't open with password	Low battery	Replace with new battery
	Wrong password	Please reset your password
Unlocked but the door won't open	The key is not turned to the specified position	After turning the key to the specified position, turn the knob to open
	The knob is not turned within 5 seconds of entering the password	After turning the key to the specified position, turn the knob to open
Cannot be locked	Key not pulled out	Lock the door after removing the key
LED won't light up	Use the key to open the safe	Use the electronic code to open the safe
Cabinet wobbling	The screws are not tightened	Tighten the screws

Maintainance
1.If you do not use the cabinet for a long time, please take out the battery to prevent the battery fluid from leaking and damaging the safe.
2.Keep your keys and emergency battery box safe, it can open the the cabinet when it is out of power or if you forget your code.
3.Store the cabinet in a cool, backlit place.
4.Do not wipe the cabinet with corrosive chemical solvents, use a clean rag to wipe with a little cleaning agent.