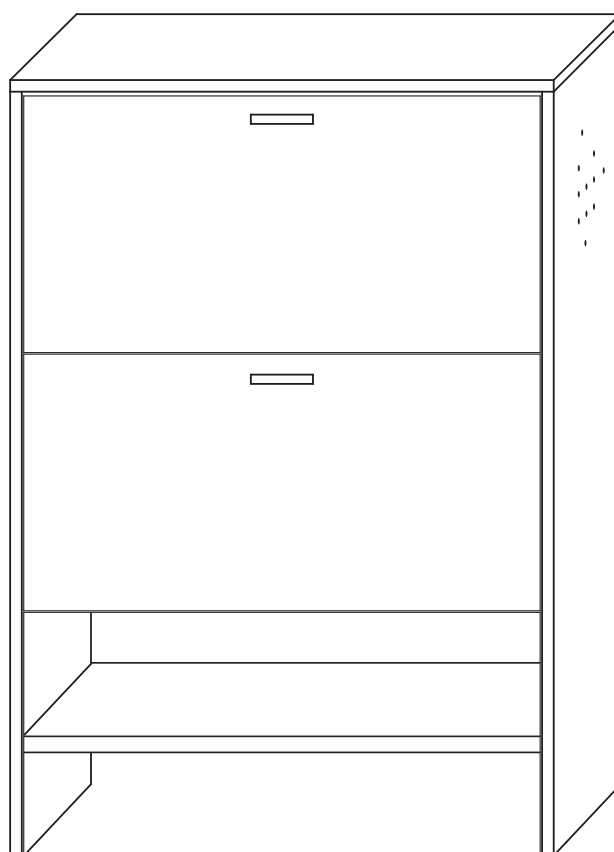


# Instruction Manual

Model:W1779124212



- ⚠** Thank you for choosing our products! Please take the time to read and familiarize yourself with the proper installation steps described on the following pages.
- ⚠** You will need a drill and gloves during the installation process, which can be prepared in advance as these tools are not included in the product.

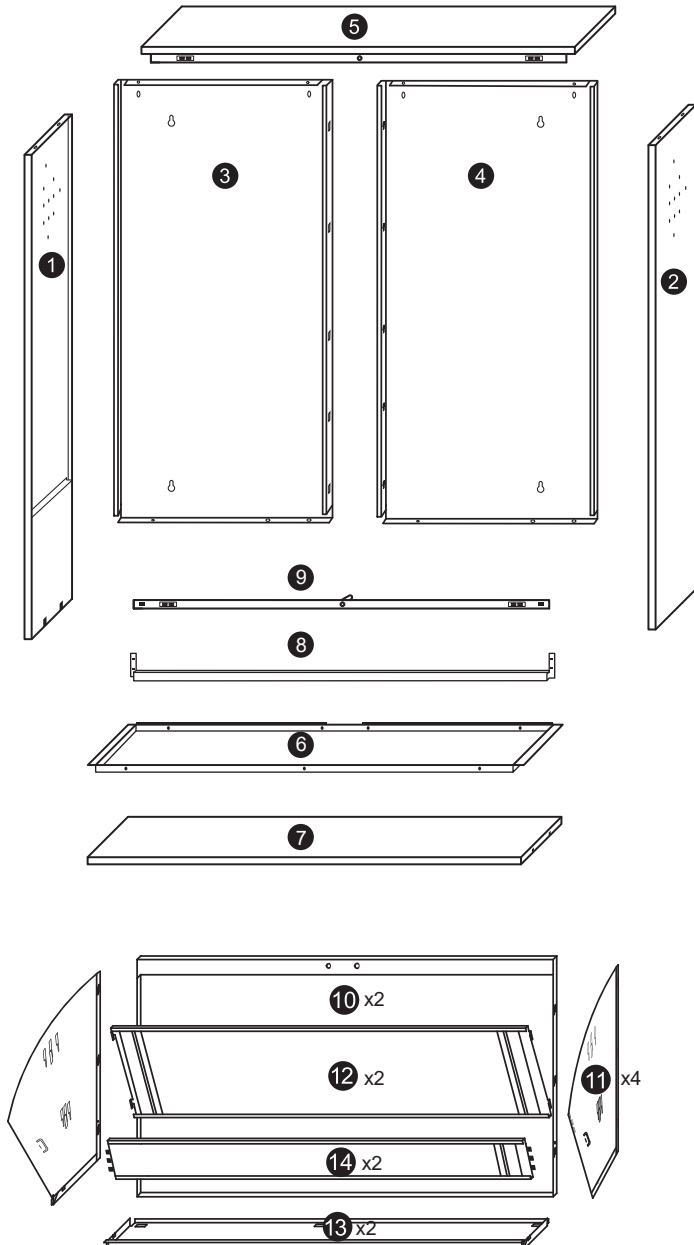
## IMPORTANT



### WARNING

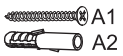






- Tip over hazard: secure the safety! The cabinet can be tipped over by children or adults, so we suggest that you could mount the cabinet on the wall.
- Do not move this cabinet using its handle.

### Cabinet exploded view



### Parts list

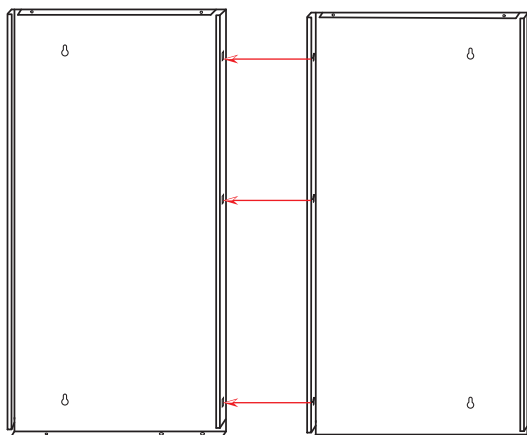
- |                    |                         |
|--------------------|-------------------------|
| ① Left side plate  | ⑧ Holder                |
| ② Right side plate | ⑨ Magnetic strip        |
| ③ Left backplate   | ⑩ Drawer front          |
| ④ Right backplate  | ⑪ Left/Right side plate |
| ⑤ Top plate        | ⑫ Drawer middle plate   |
| ⑥ Bottom plate     | ⑬ Drawer bottom         |
| ⑦ Bottom shelf     | ⑭ Drawer backplash      |

<b>A*4 pcs</b> (expansion screws) 	<b>B*52 pcs</b> (self-tapping screws) 	<b>C*4 pcs</b> (handle screws) 
<b>D*5 pcs</b> (1 for spare) (shelf bracket) 	<b>E*2 pcs</b> (handle) 	<b>F*2 pcs</b> (rubber buffer) 
<b>G*4 pcs</b> (magnetic lock) 		

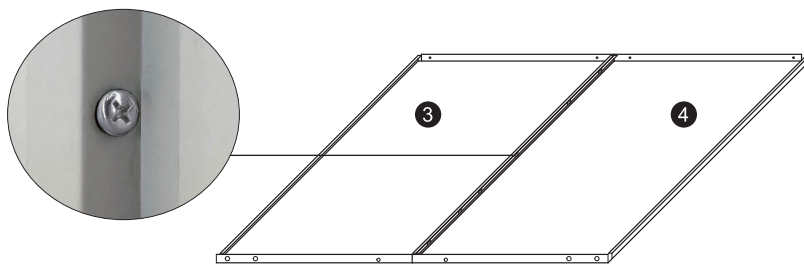
#### Tips:

The serial number labels are attached to the inside of the parts. please distinguish the parts according to the exploded view on the left.

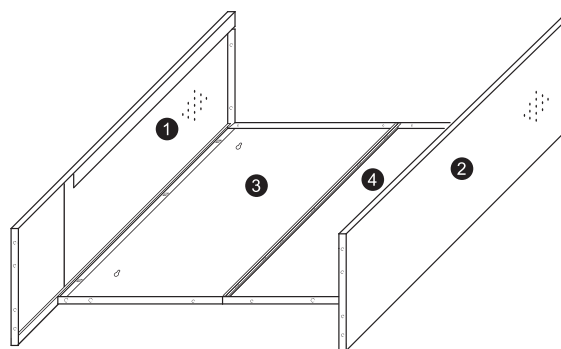
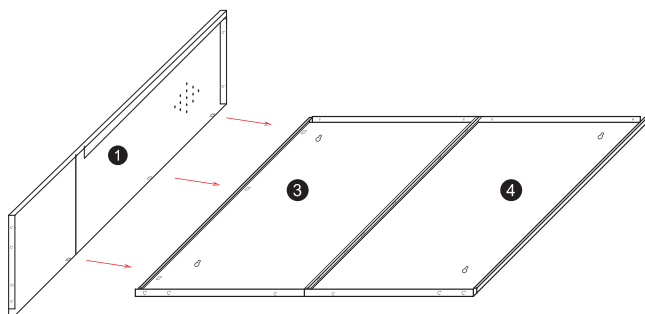
## Step 1 Cabinet back installation



Fix ③ and ④ with 3 self-tapping screws (B).



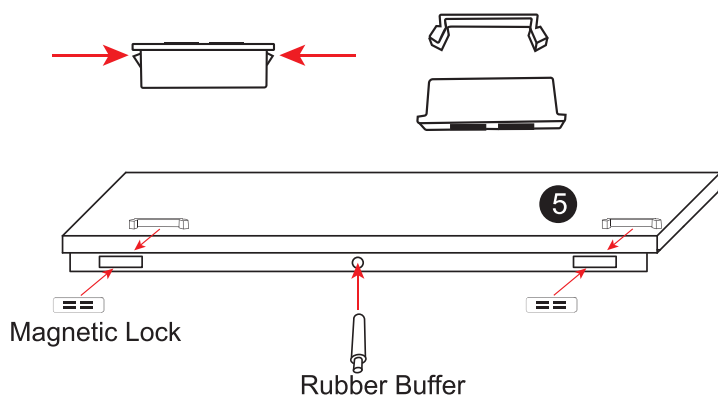
## Step 2 Cabinet side installation



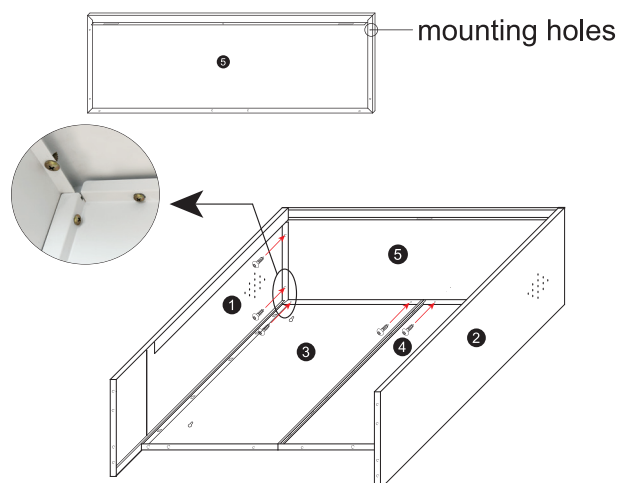
Fix ① to ③ with 3 self-tapping screws(B), then install ② in the same way.

## Step 3 Magnetic lock and rubber buffer installation

Press the convex corners on both side of the magnetic lock to divide the magnetic lock into two parts, insert them into the corresponding holes of ⑤ from the front and back respectively, then insert the rubber buffer into the corresponding holes.

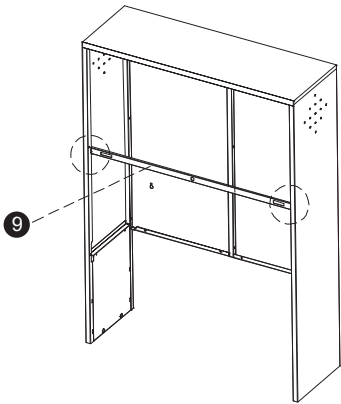


## Cabinet top installation

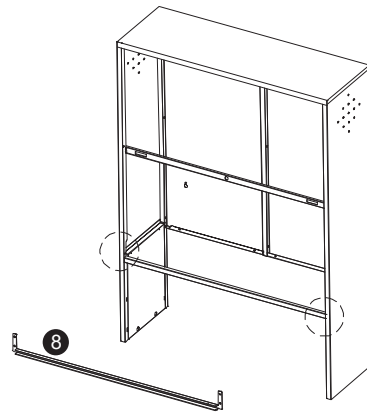


Put ⑤ on the top, align the screw holes and fix it with 8 self-tapping screws (B).

## Step 4 Holder and magnetic strip installation



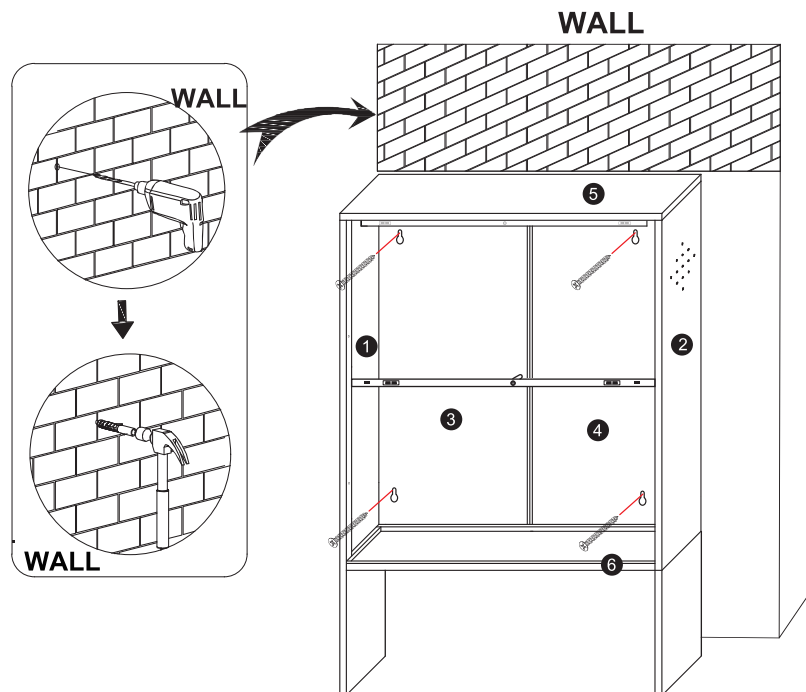
Place ⑨ in the middle, align the screw holes, and fix it with 2 self-tapping screws (B). Then install the magnetic lock and rubber buffer (the method is the same as in step 3)



Place ⑧ in the bottom position (as shown), then align the screw holes, and fix it with 4 self-tapping screws (B).

## Step 5 Wall mount (Please choose whether to mount according to individual needs)

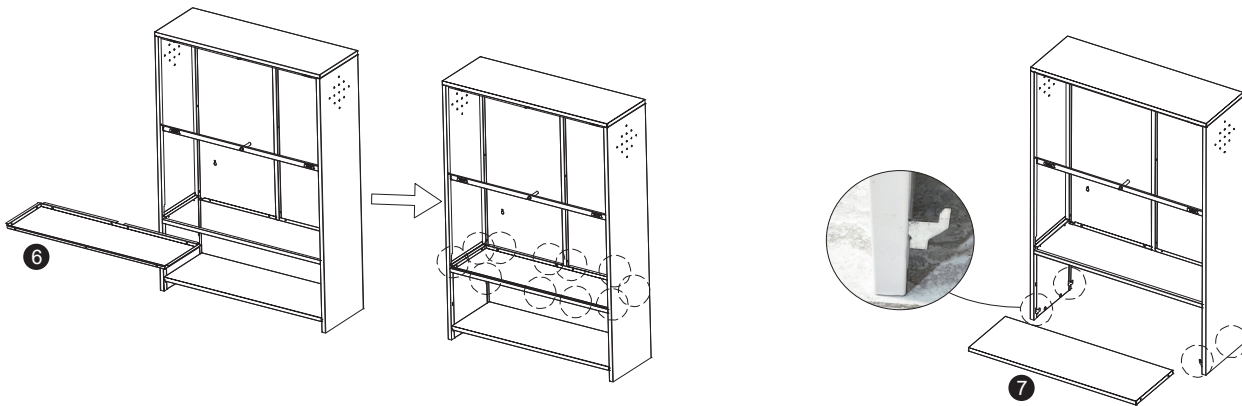
**Tips:** We suggest that you could mount the cabinet on the wall to prevent the cabinet from falling. If you choose to do so, do it in this step.



- Place the cabinet in the desired position, mark the drilling points on the wall from the mounting holes inside the cabinet, then remove the cabinet and drill holes.
- Use a hammer to drive the expansion bolts (A2\*4 pcs) into the drilled holes, and then place the cabinet so that the mounting holes are aligned with the drilled holes.
- Screw the expansion screws (A1\*4 pcs) into the drilled hole.



## Step 6 Bottom plate and shelf installation

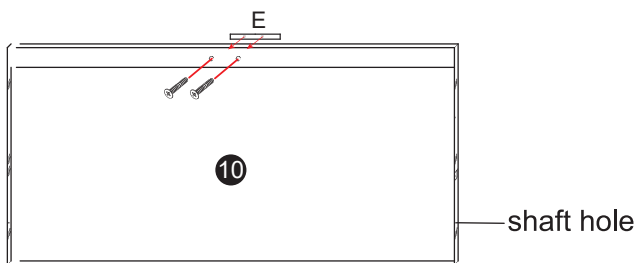


Place ⑥ in the position shown and fix it with ⑪ self-tapping screws (B).

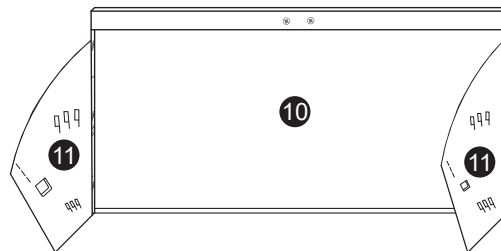
Install 4 shelf brackets (D), then place ⑦ in the position shown.

**Tips:** The shelf is adjustable, you can adjust its position according to your needs.

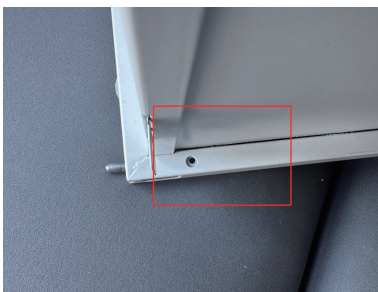
## Step 7 Drawer side plate and bottom installation (1)



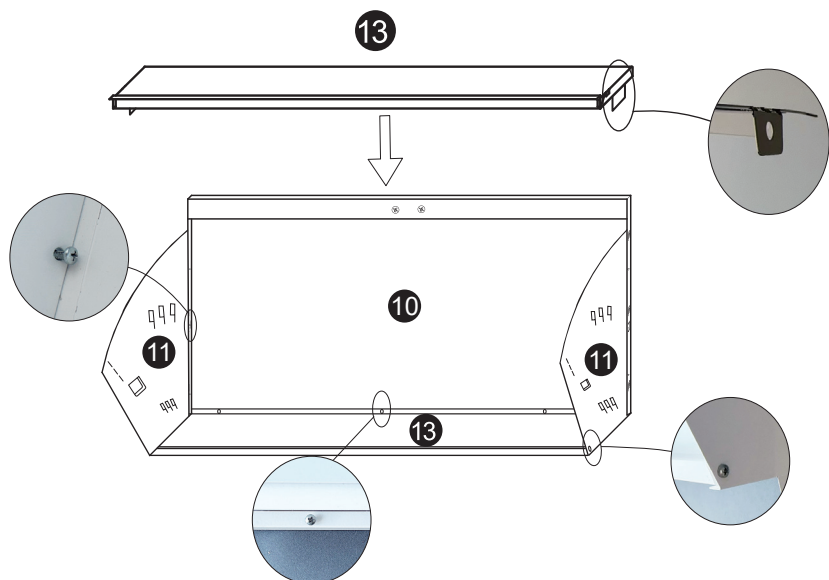
As shown on the left, fix the handle (E) to ⑩ with 2 handle screws (C), then put ⑪ on either side of ⑩. (Do not install the screws here)



## Step 8 Drawer side plate and bottom installation (2)



This part should be inside.

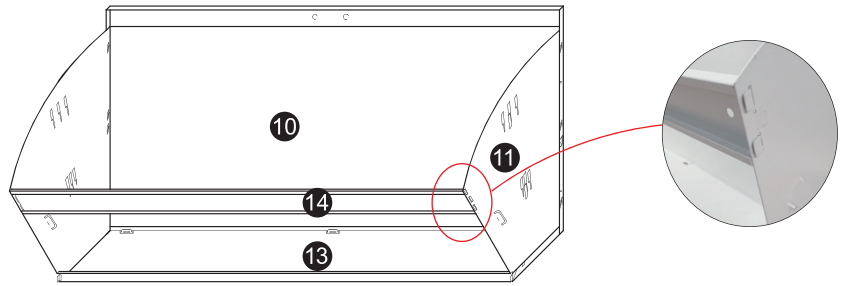


Bend down 90° the 2 metal buckles on both sides of ⑬, then insert it into the corresponding holes of ⑪ (as shown in the picture), fix ⑩ ⑪ ⑬ with screws.

## Step 9 Drawer backslash installation



Insert the metal buckles on both sides of ⑪ into the corresponding holes of ⑭, and press the metal buckles on both sides by 90°, as shown on the right.



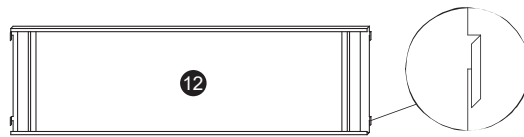
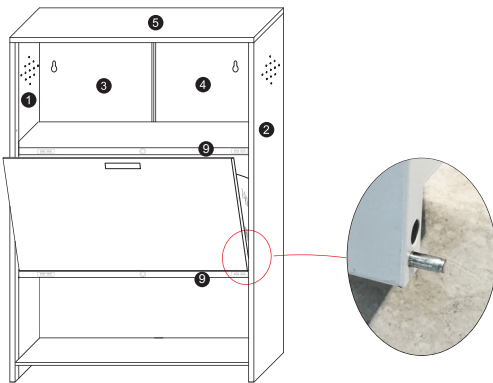
## Step 10 Drawer and middle plate installation

Tips:

1. In order to facilitate the installation, ⑫ is installed last.

2. You can adjust it freely according to the size and height of your shoes, because it is detachable and adjustable.

Put the installed drawer on 8, tilt the drawer moderately outward, align the shaft on both sides of the drawer with the holes on the inside of ① and ②. Tilt the "#" outward about 60° to prevent the drawer from falling outward after installing the drawer. (the same method for the other drawer)



Finally, put ⑫ into the corresponding holes of ⑪ to install it, then the whole installation is completed.

