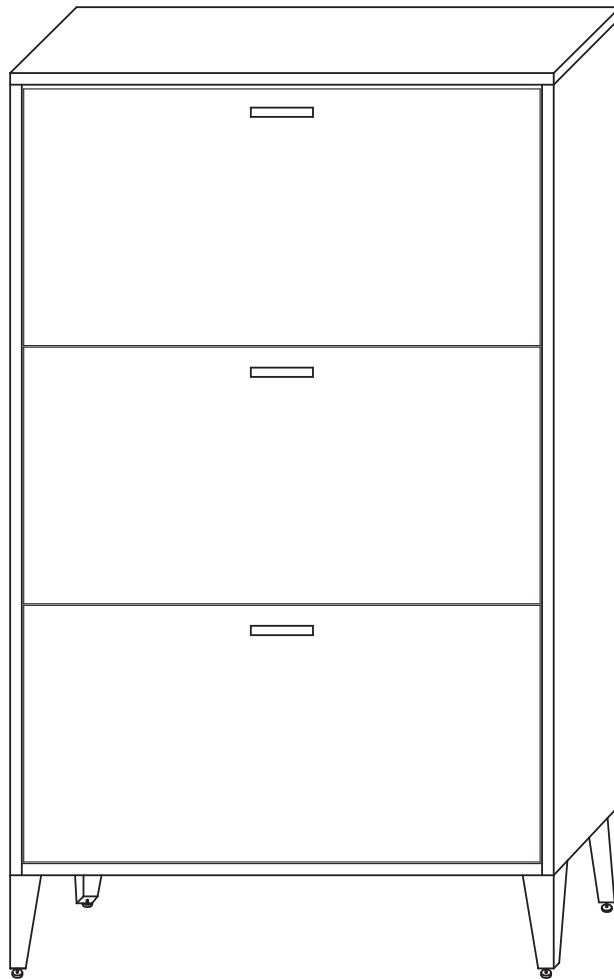


Instruction Manual

Model:W100049057



- ⚠ Thank you for choosing our products! Please take the time to read and familiarize yourself with the proper installation steps described on the following pages.
- ⚠ During the installation process of this cabinet, you need to use an electric drill, screwdriver and hammer. You need to prepare in advance. The above installation tools are not included in this product.

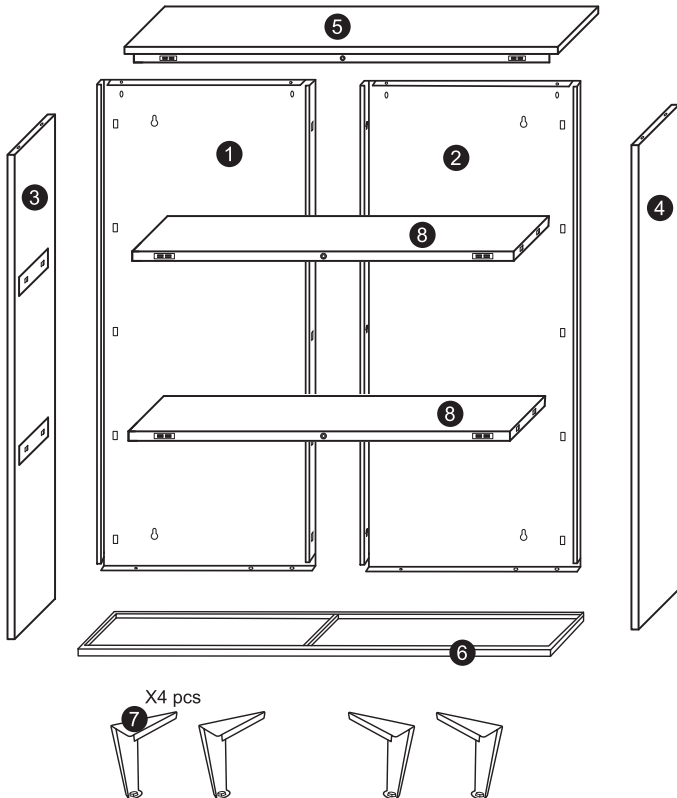
IMPORTANT

⚠ WARNING



- Tip over hazard: secure the safety! The cabinet can be tipped over by children or adults, so we suggest that you could mount the cabinet on the wall.
- Do not move this cabinet using its handle.

Cabinet exploded view



Parts List

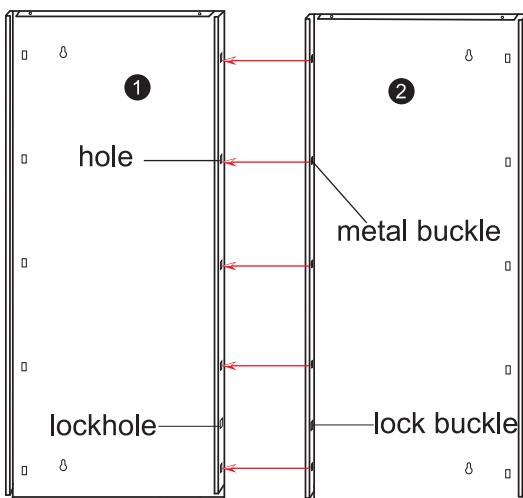
- | | |
|--------------------|----------------------|
| ① Left back plate | ⑤ Top plate |
| ② Right back plate | ⑥ Bottom square tube |
| ③ Left side plate | ⑦ Foot mats |
| ④ Right side plate | ⑧ Shelf |

A*4 pcs (expansion screws) 	B*26 pcs 	C*6 pcs
D*6 pcs 	E*4 pcs (foot mat) 	F*3 pcs (handle)
G*3 pcs (rubber buffer) 	H*6 pcs (magnetic lock) 	

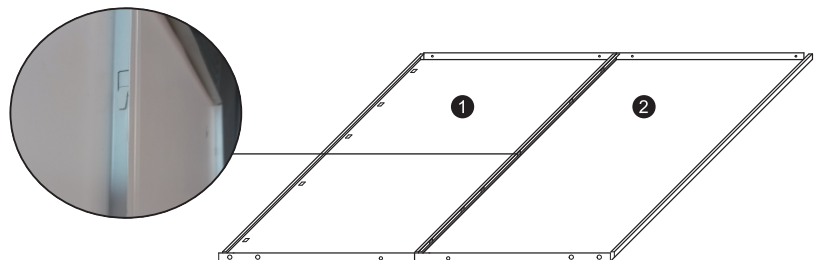
Tips:

1. The serial number labels are attached to the inside of the parts, please distinguish the parts according to the exploded view on the left.
2. In addition to the above installation accessories, there is also a spare accessory package to prevent the loss of accessories during the installation process.

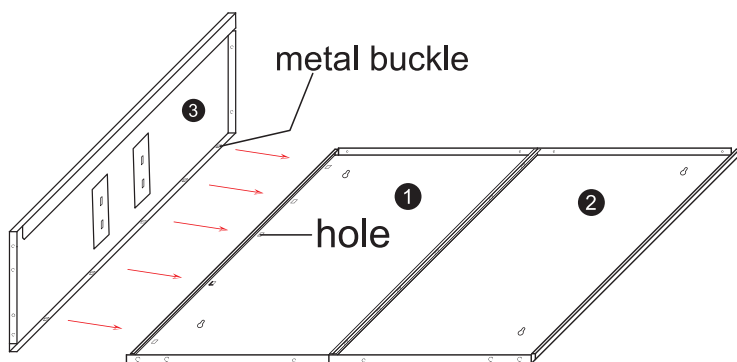
Step 1 Cabinet Back Installation



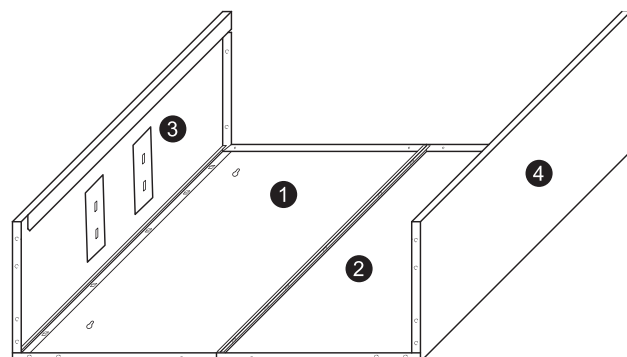
Lift the five metal buckles on ② outward by about 45° and insert them into the corresponding holes of ①, press the metal buckles down, and press the lock buckle on ② 90° to the left to lock ① and ②.



Step 2 Cabinet side installation

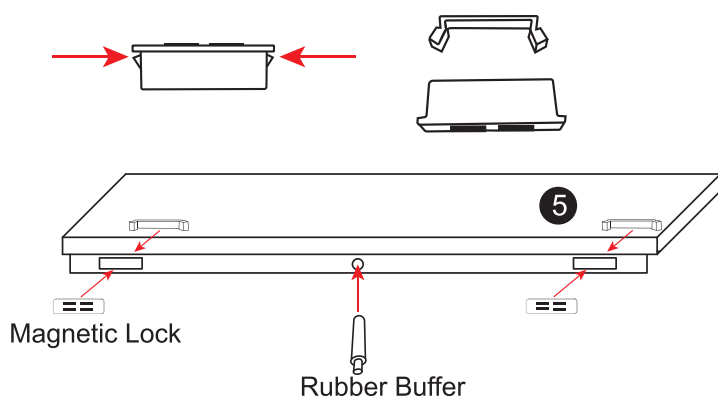


Lift the five metal buckles on ③ inwards by about 45° and insert them into the corresponding holes of ①, then press the metal buckles down to lock ① and ③, ④ Install in the same way.

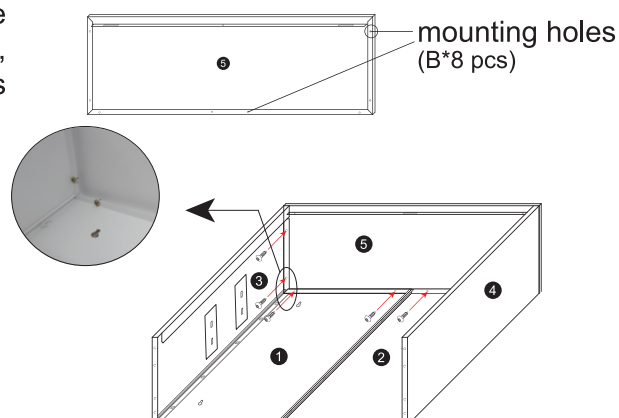


Step 3 Magnetic lock and rubber buffer installation

Press the convex corners on both side of the magnetic lock to divide the magnetic lock into two parts, insert them into the corresponding holes of ⑤ from the front and back respectively, and insert the rubber buffer into the corresponding holes, as shown in the figure below, ⑧ Install in the same way.

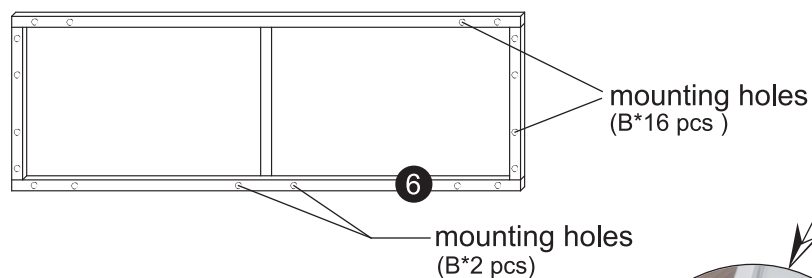


Cabinet top installation



Put ⑤ on top of the U-shaped frame, align the bottom hole with the hole on top of the U-shaped frame, and fix it with screws. (need to use B*8 pcs)

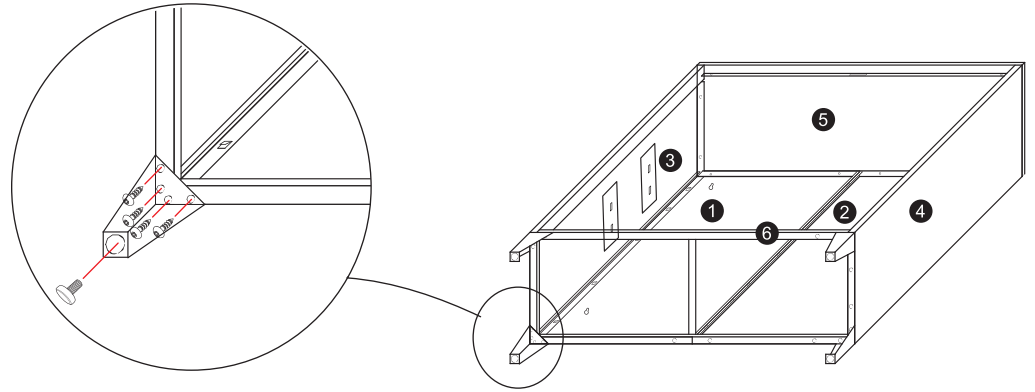
Step 4 Cabinet bottom installation



Slightly separate ③④, so that ⑥ can be placed in the bottom of U-shaped frame. (Tips: the mounting holes face down)

Step 5 Install the bottom bracket and foot mats

Tips: The cabinet comes with four adjustable or removable feet to prevent scratching the floor. The stability of the cabinet can be improved by adjusting the foot mats.



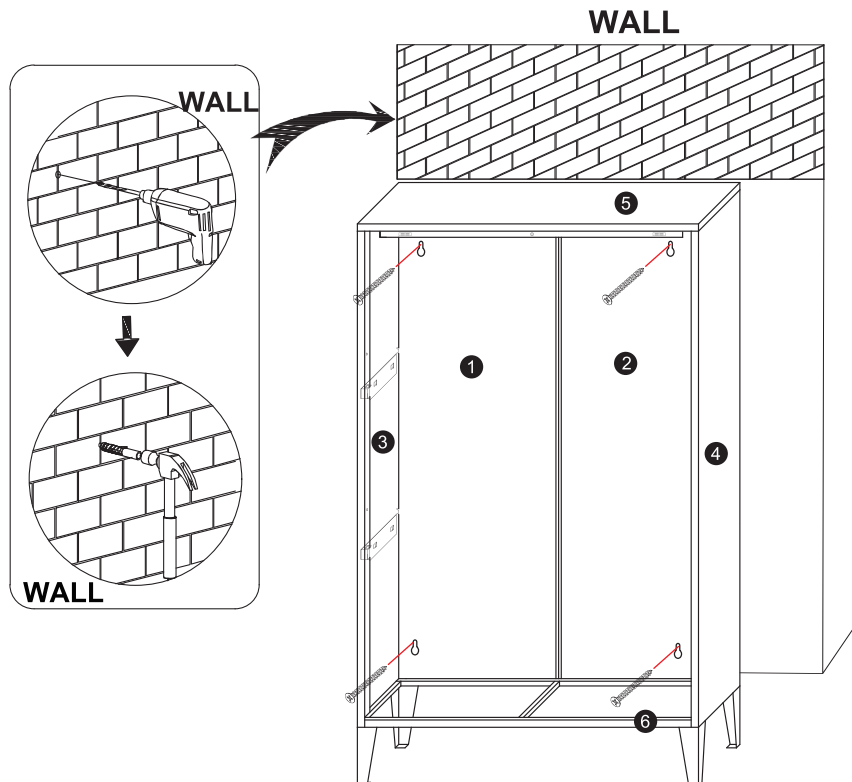
Align the holes at the bottom of ⑦ and ⑥, as shown in the figure below, install and fix them with screws (B*4 pcs), and screw the foot pads (E*1 pcs) into the holes at the bottom of ⑦, and use the same for the other three. At the same time, fix the two holes in the middle of the bottom of ⑥ with screws (B*2 pcs), and then erect the cabinet.

1. If the cabinet shakes, adjust the foot pads properly until the cabinet is stable.

2. If the tripod and foot pads are not required, please use screws (B*18 pcs) to tighten the bottom mounting holes and fix them.

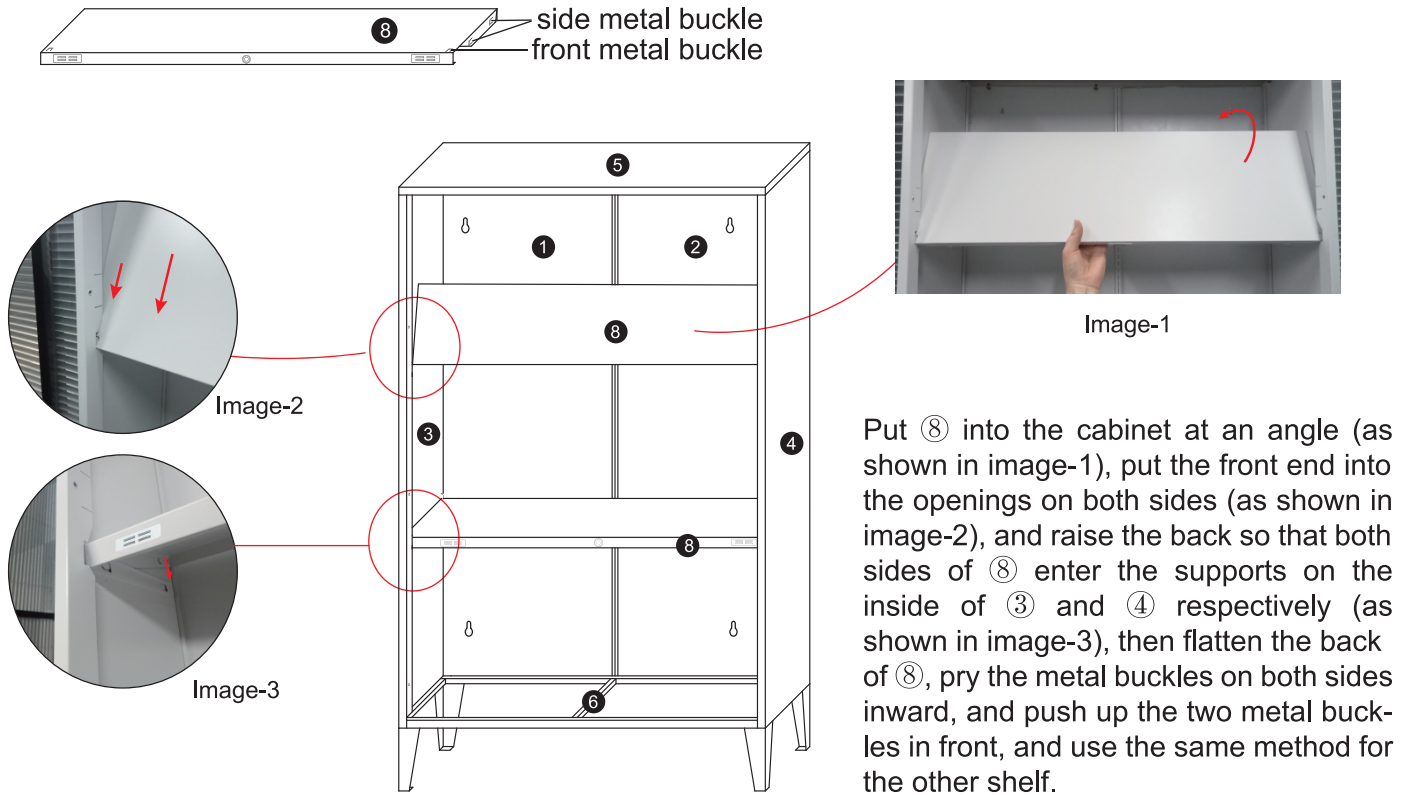
Step 6 Wall mount (Please choose to mount according to individual needs)

Tips: we suggest that you could mount the cabinet on the wall to prevent the cabinet from falling.

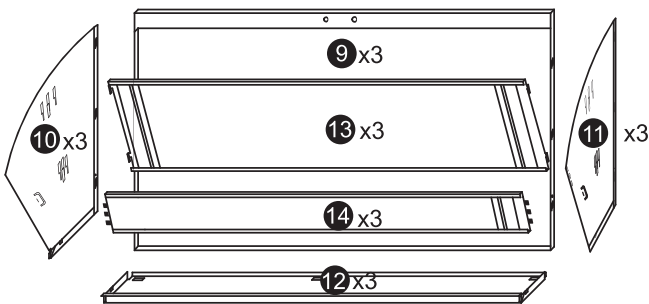


- Place the cabinet in the desired position, mark the drilling points on the wall from the mounting holes inside the cabinet, then remove the cabinet and drill holes.
- Use a hammer to drive the expansion bolts (A2*4 pcs) into the drilled holes, and then place the cabinet so that the mounting holes are aligned with the drilled holes.
- Screw the expansion screws (A1*4 pcs) into the drilled hole.

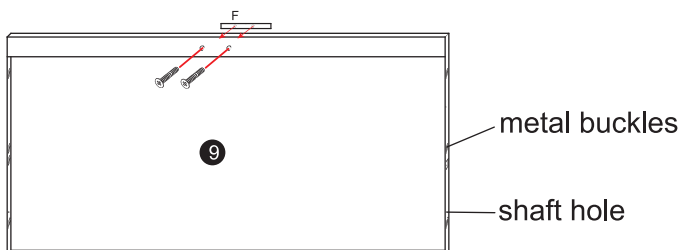
Step 7 Cabinet interior shelves installation



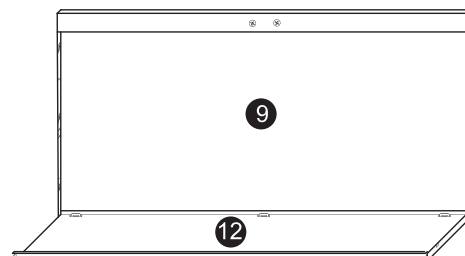
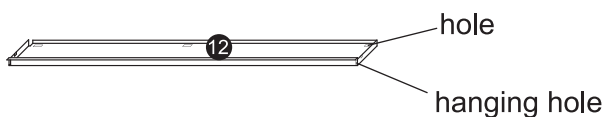
Step 8 Internal drawer installation (Drawers can be installed according to this part number sequence)



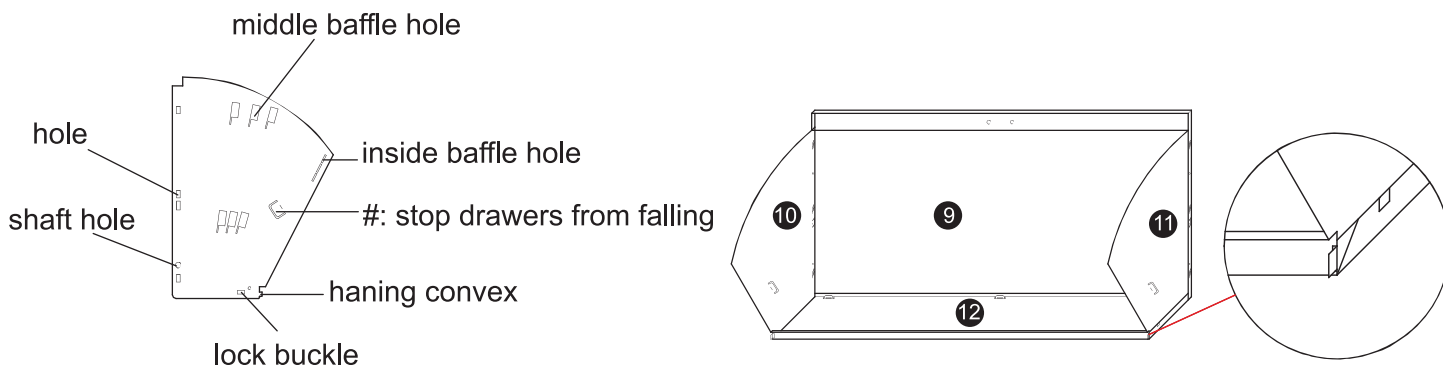
- ⑨ Drawer front
- ⑩ Left side plate
- ⑪ Right side plate
- ⑫ Drawer bottom
- ⑬ Drawer middle baffle plate
- ⑭ Drawer backsplash



As shown on the left, use screws (C*2pcs) to install the handle on ⑨, pry up the metal buckle at the bottom of ⑨ 90° and insert it into the corresponding hole of ⑫, press the metal buckle inward to lock ⑨ and ⑫.



Step 9 Drawer side mount

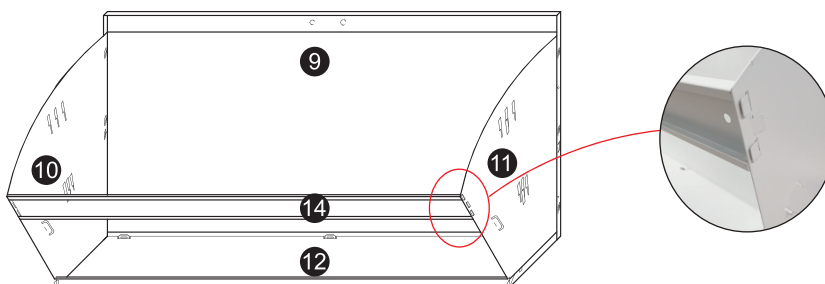


Pry the 6 metal buckles on both sides of ⑨ inward by about 45°, and insert the mounting ears at the bottom of ⑪ into the hanging holes of ⑫, as shown in the figure (note that ⑪ is on the inside of ⑫), align the metal buckles of ⑨ with the holes of ⑪, and then upward Press the metal button, and then press the lock into the corresponding lock hole, so that ⑪ and ⑫ are locked, and ⑩ is installed in the same way.

Step 10 Drawer inner baffle installation



Insert the metal buckles at both ends of ⑭ into the corresponding holes of ⑩ and ⑪ respectively, and press the metal buckles to both sides by 90°, as shown on the right.

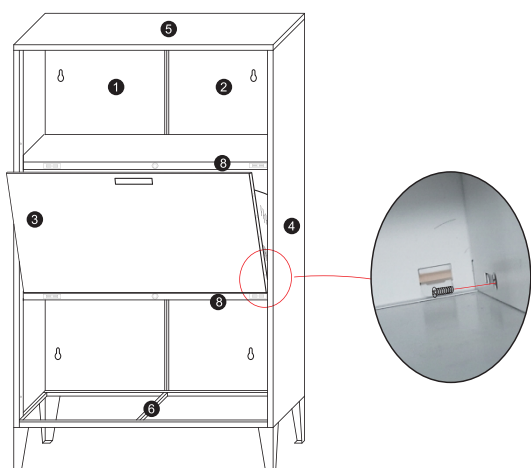


Step 11 Drawer installation and drawer middle baffle installation

Tips:

1. In order to facilitate the installation, ⑬ is placed in the last part for installation.
2. ⑬ With detachable and adjustable functions, you can use it freely according to the size and height of the shoes.

Put the installed drawer on ⑧, tilt the drawer moderately outward, align the shaft holes on both sides of the drawer with the holes on the inside of ③ and ④, then fix it with screws (D*2pcs), and place the "# " outward tilt about 60° to stop the drawer from falling. The other two drawers are installed using the same method.



Finally, put ⑬ into the corresponding holes of ⑩ and ⑪, and the installation is completed here.

