
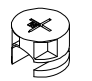
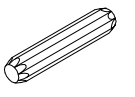
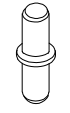
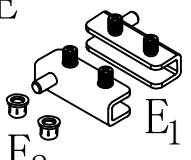
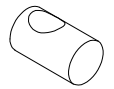

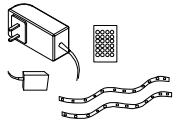
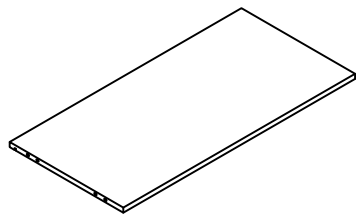


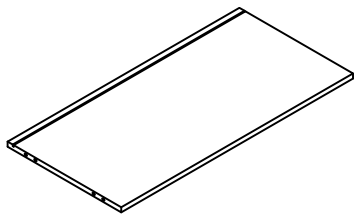
<p>A</p>  <p>12PCS</p>	<p>B</p>  <p>12PCS</p>	<p>C</p> <p>8*40</p>  <p>12PCS</p>	<p>D</p>  <p>4PCS</p>	<p>E</p>  <p>E₁ 2PCS E₂</p>	<p>F</p>  <p>4PCS</p>	<p>G</p> <p>4*9</p>  <p>4PCS</p>	<p>LED</p>  <p>1PCS</p>
---	---	---	--	---	--	---	--

1



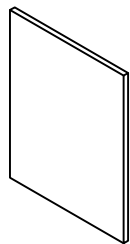
765*375 1PC

2



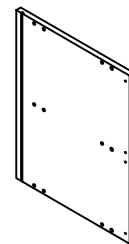
765*375 1PC

3



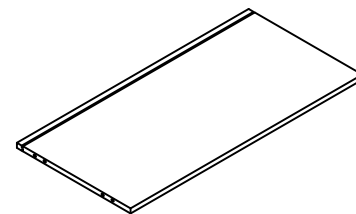
480*375 1PC

4



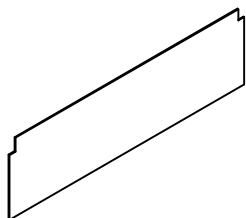
480*375 1PC

5



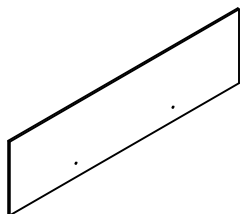
765*375 1PC

6



775*225 2PC

7



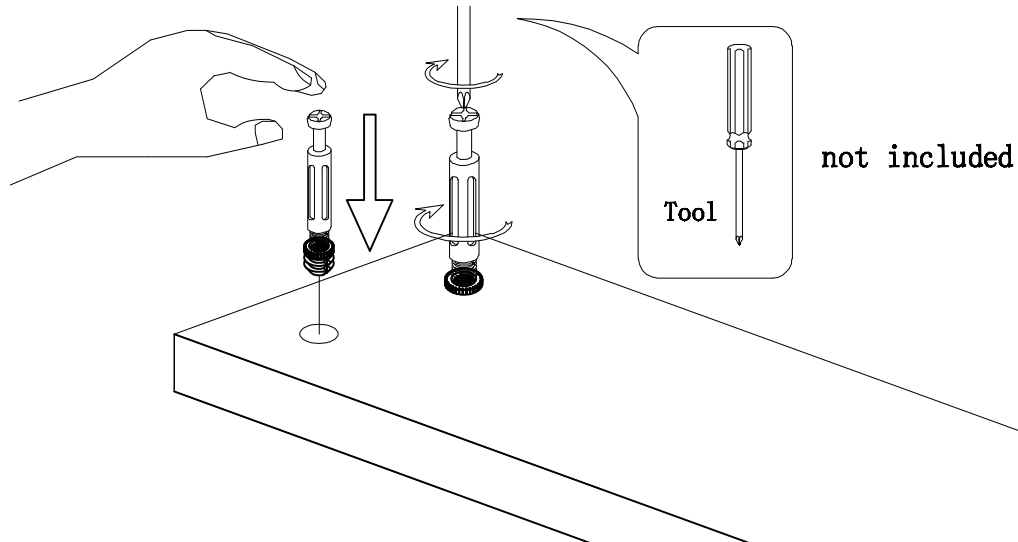
757*211 2PC



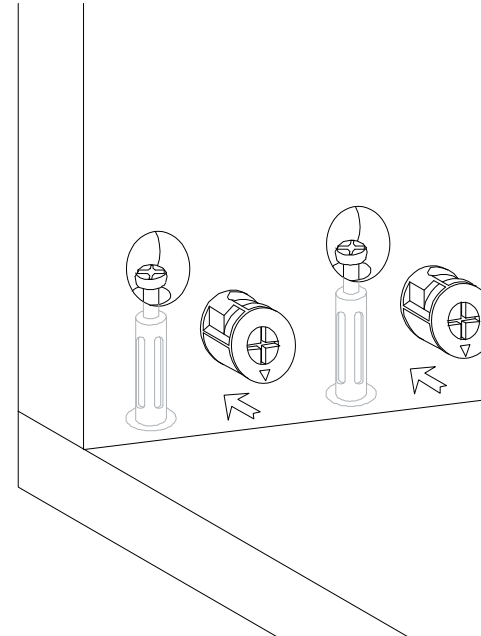
Hardware installation demonstration

NOTE: Please make sure "A" hardware tightened and can't be pulled out!

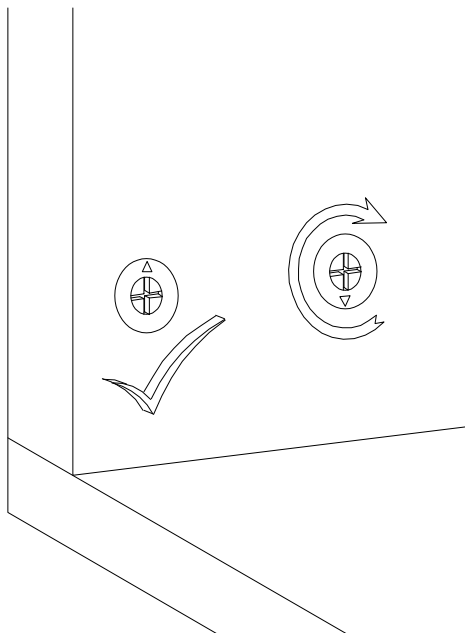
I



II



III

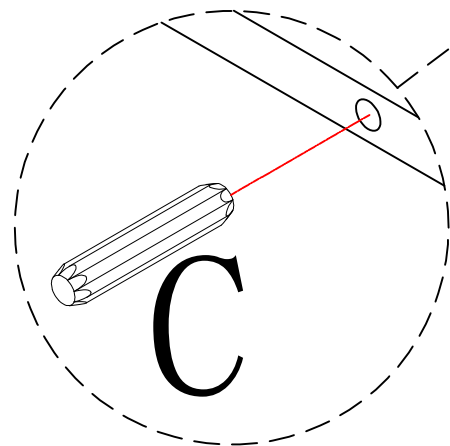
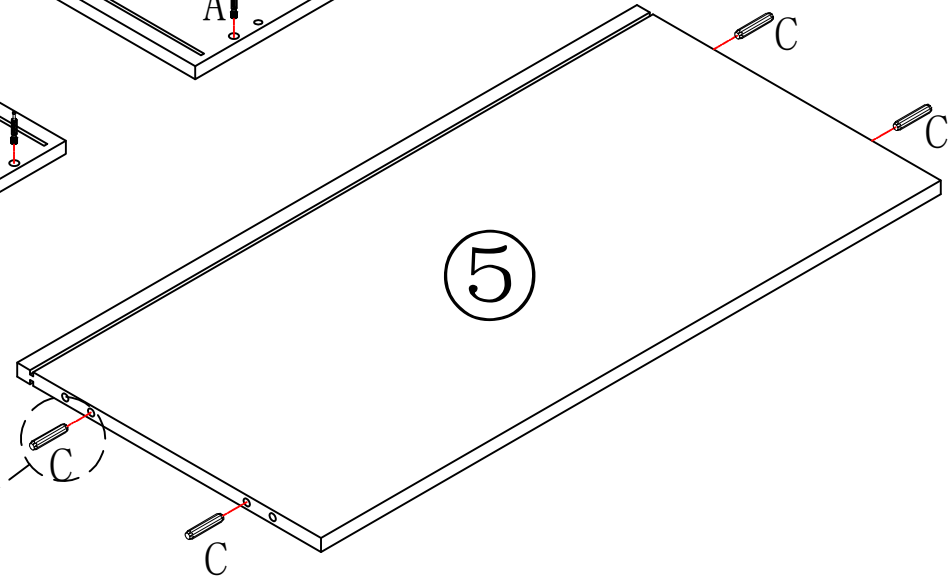
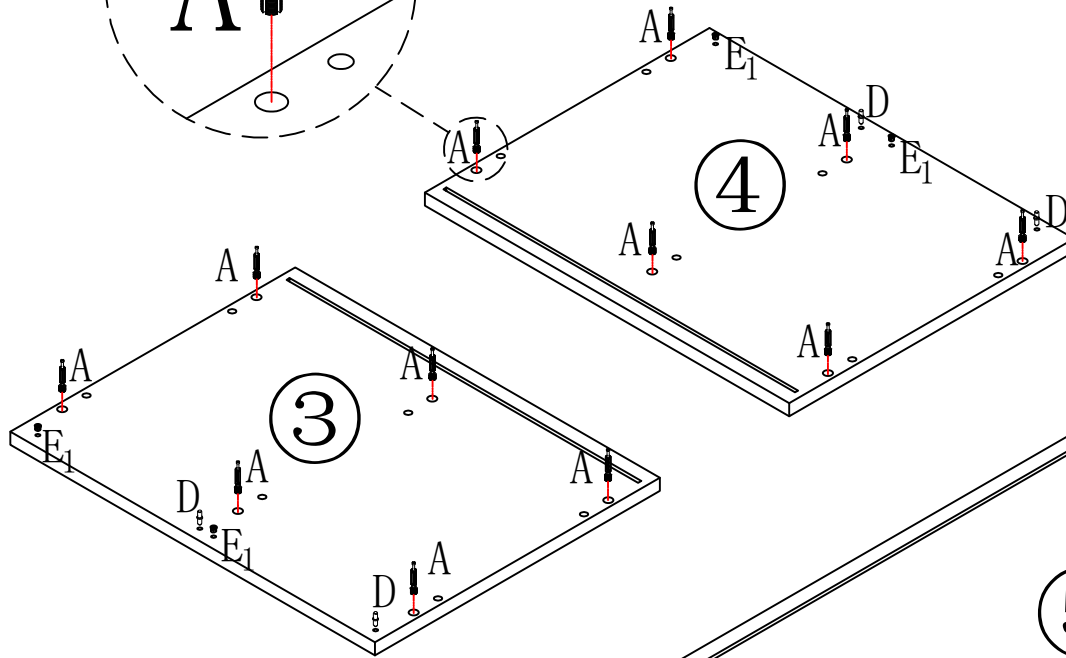
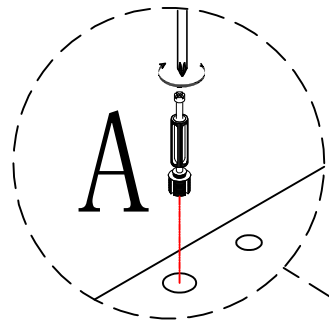



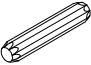
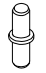

IV



Scan QR code for assembly video

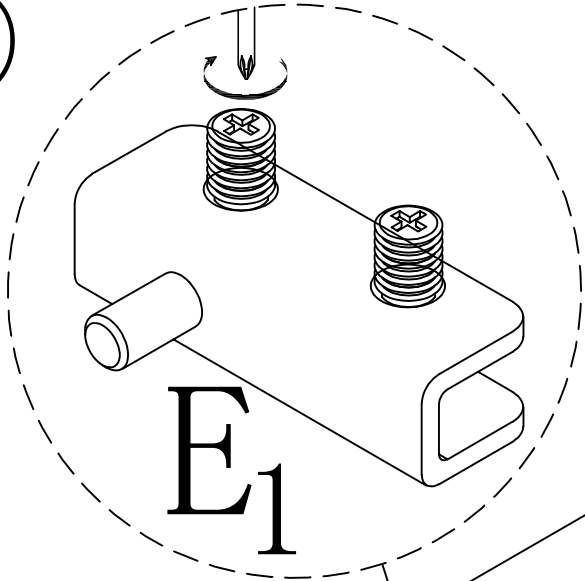
①



	A*12
	C*4
	D*4
	E ₁ *2

put A on board ③ ④
put C on board ⑤

2

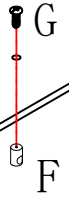


E₁



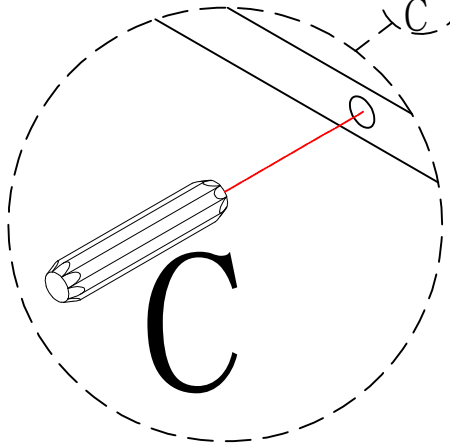
X2

7

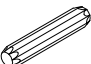





1

2

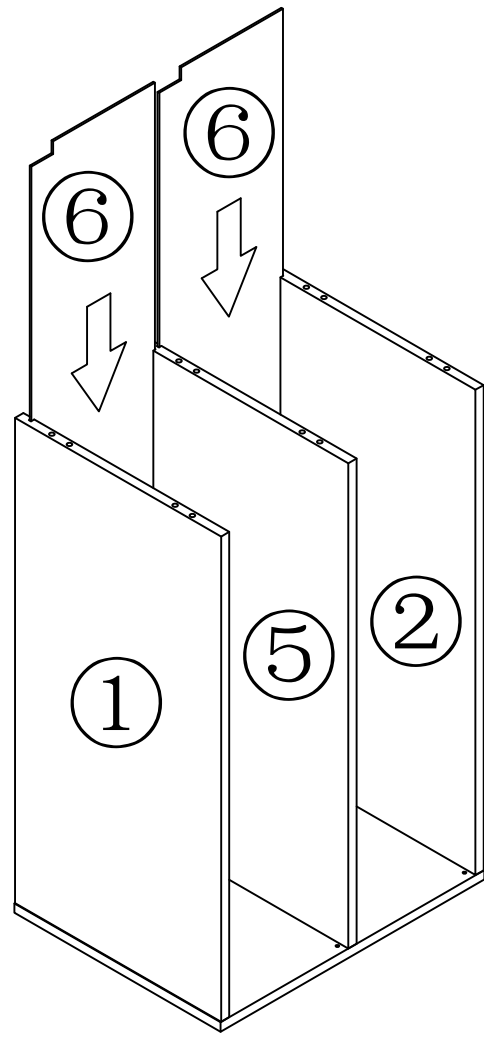
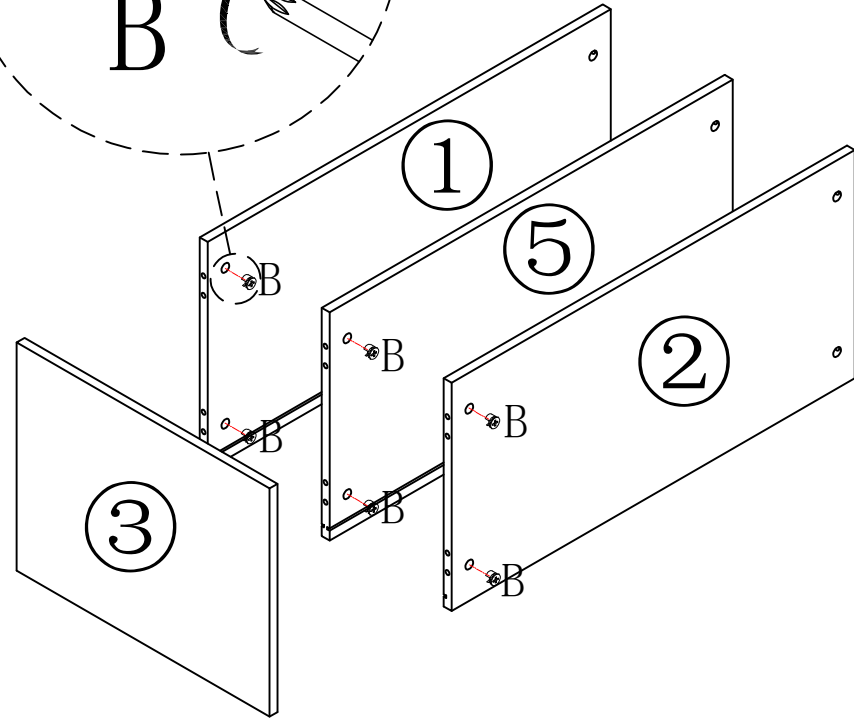
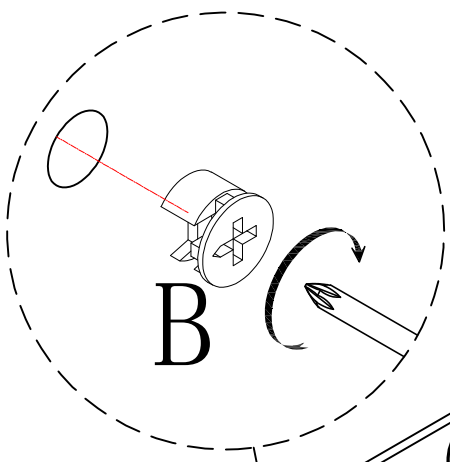


C

	C*8
	E ₁ *2
	F*4
	G*4


put C on board ① ②

③

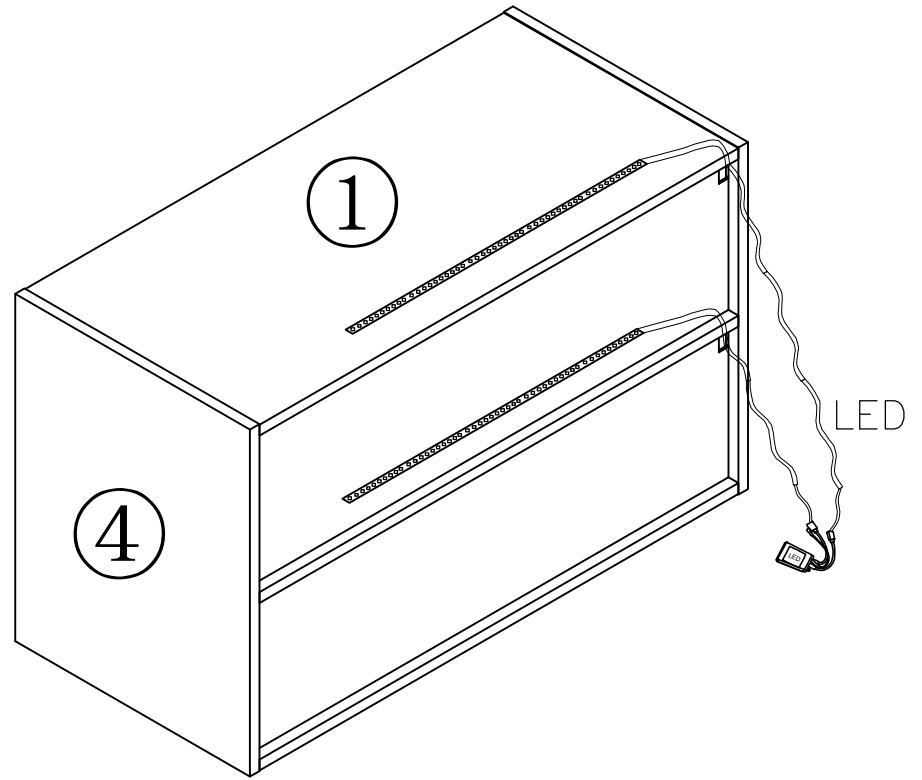
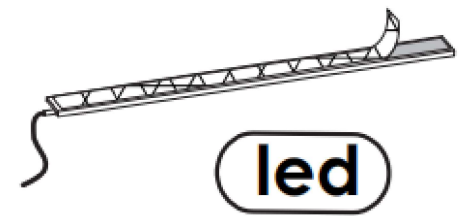
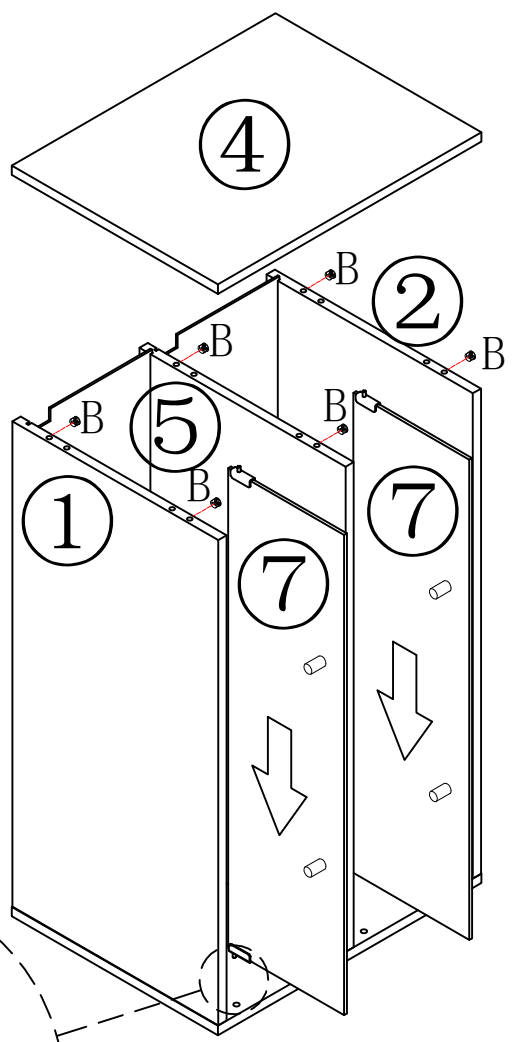


Make sure the arrow on the screw align to the hole on the side.

put B on board ① ② ⑤

	C*6
---	-----

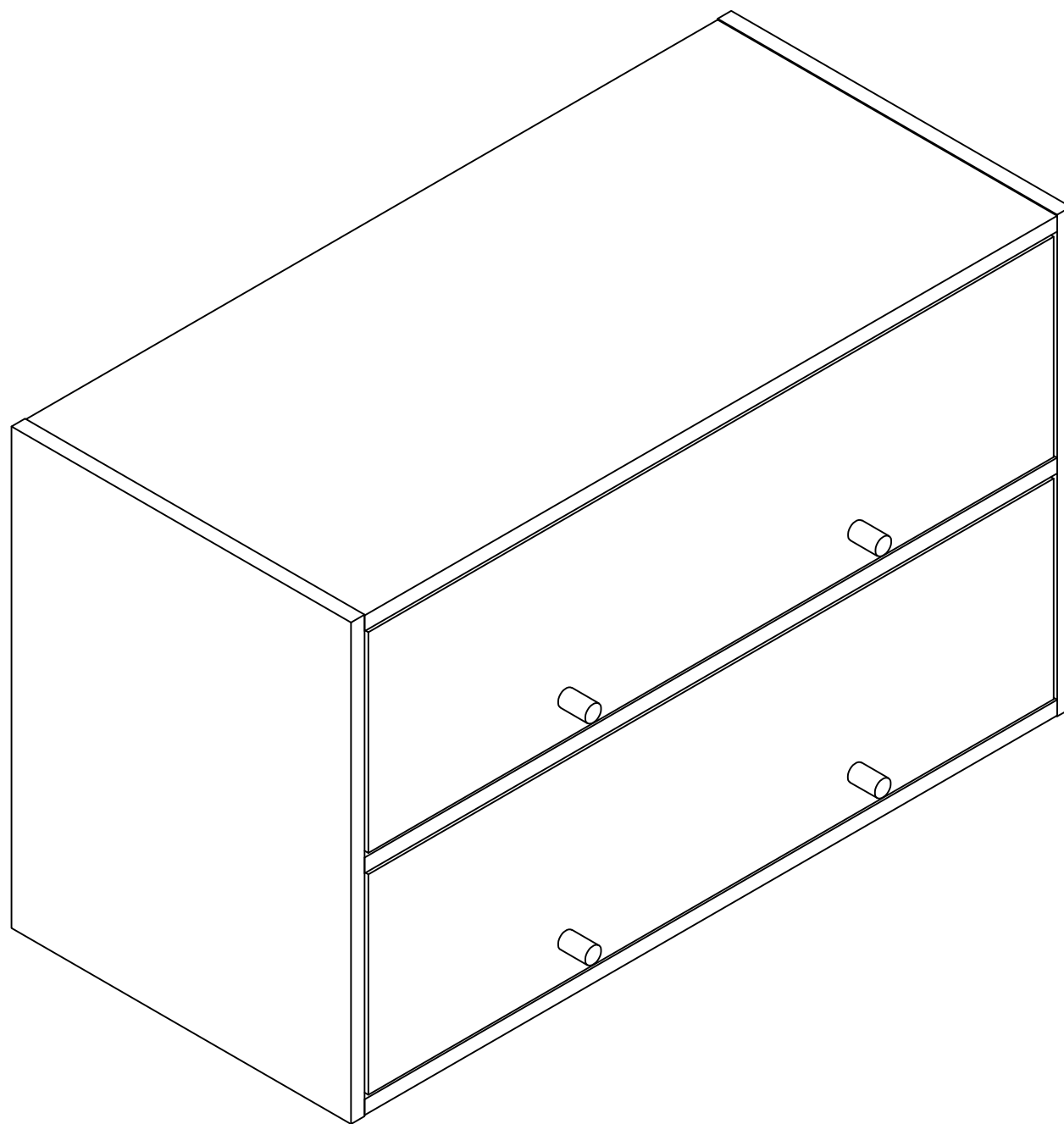
4



Make sure the arrow on the screw align to the hole on the side.

put B on board ① ② ⑤

	C*6
--	-----



END