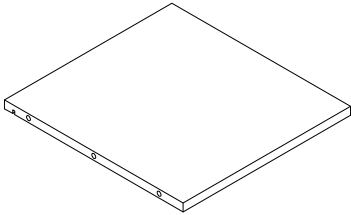
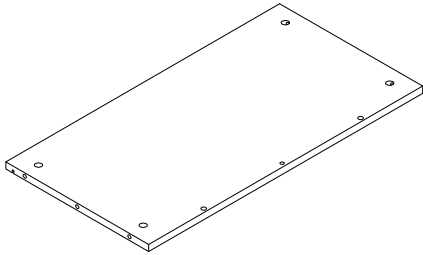
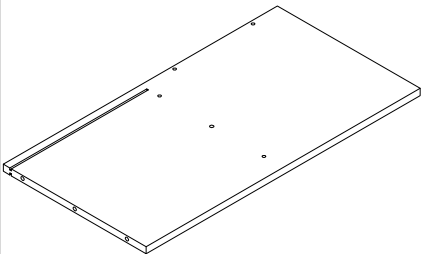
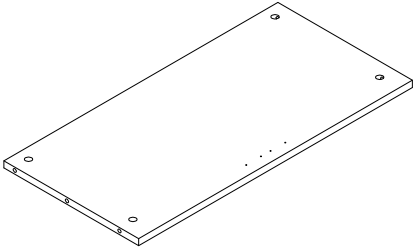
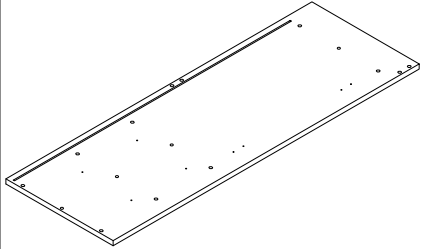
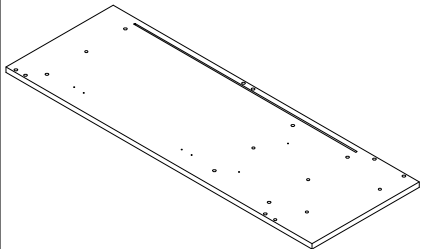
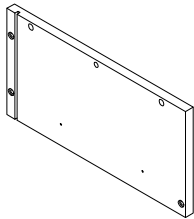
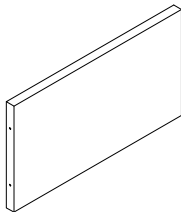
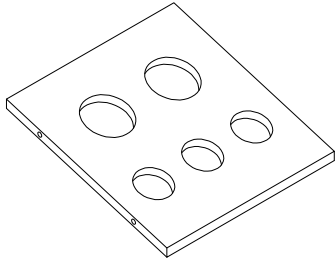
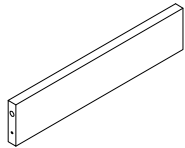
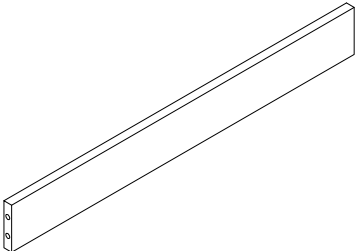
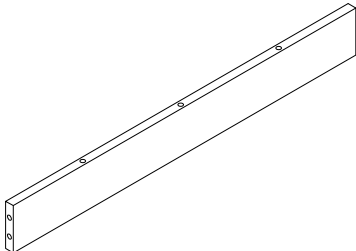
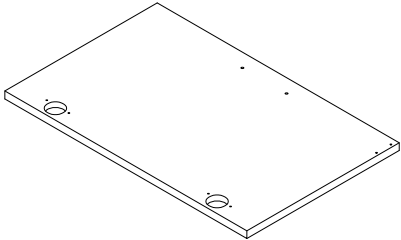
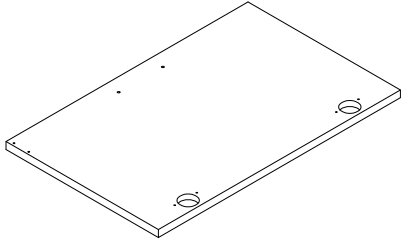
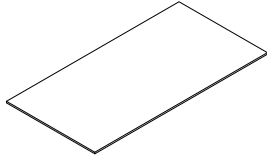
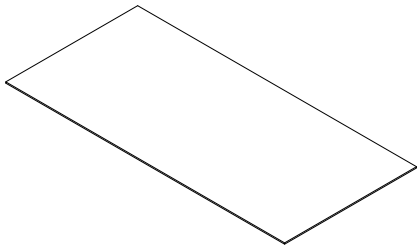


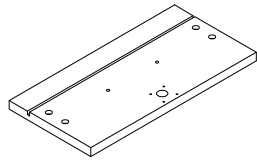
<p>1</p>  <p>328*350 1 PCS</p>	<p>2</p>  <p>671*350 1 PCS</p>	<p>3</p>  <p>671*350 1 PCS</p>	<p>4</p>  <p>671*330 1 PCS</p>	<p>5</p>  <p>1000*350 1 PCS</p>
<p>6</p>  <p>1000*350 1 PCS</p>	<p>7</p>  <p>180*350 1 PCS</p>	<p>8</p>  <p>328*180 1 PCS</p>	<p>9</p>  <p>328*333 1 PCS</p>	<p>10</p>  <p>328*70 1 PCS</p>
<p>11</p>  <p>671*80 1 PCS</p>	<p>12</p>  <p>671*80 1 PCS</p>	<p>13</p>  <p>527*332 1 PCS</p>	<p>14</p>  <p>527*332 1 PCS</p>	<p>15</p>  <p>173*338 1 PCS</p>

16



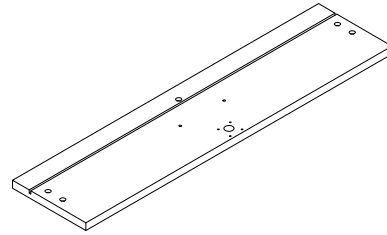
719*340 2 PCS

17



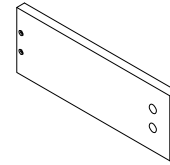
324*160 1 PCS

18



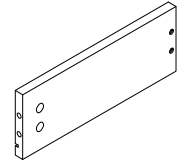
666*160 1 PCS

19



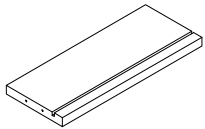
300*110 2 PCS

20



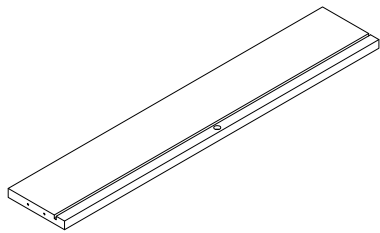
300*110 2 PCS

21



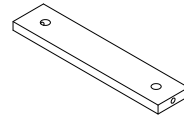
273*110 1 PCS

22



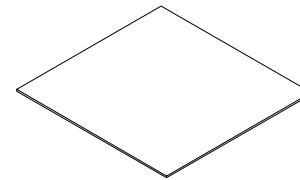
616*110 1 PCS

23



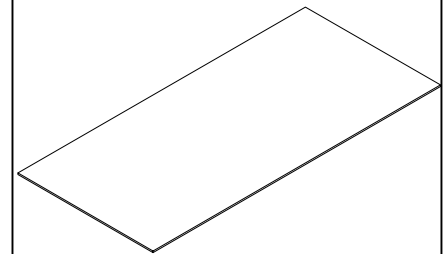
284*60 1 PCS

24



283*294 1 PCS

25



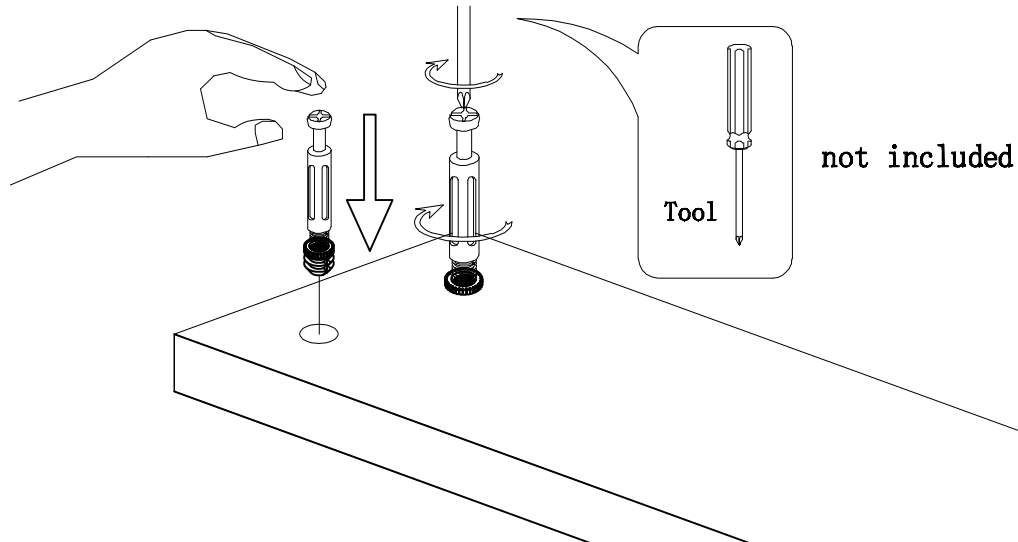
626*294 1 PCS



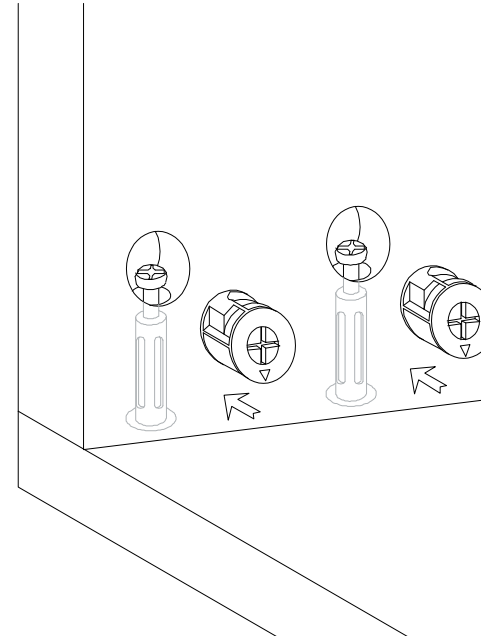
Hardware installation demonstration

NOTE: Please make sure "A" hardware tightened and can't be pulled out!

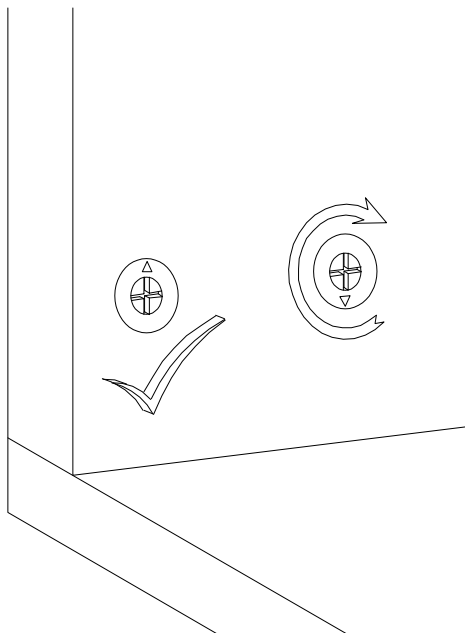
I



II



III

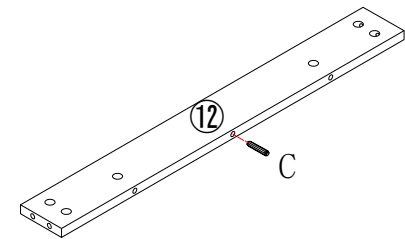
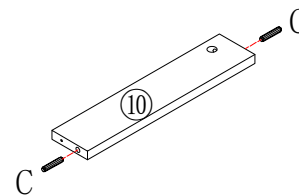
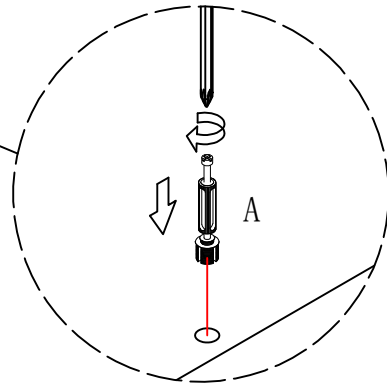
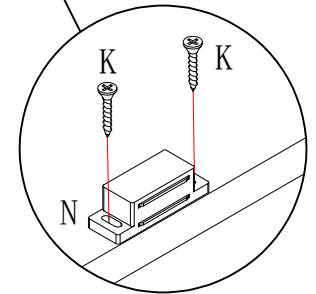
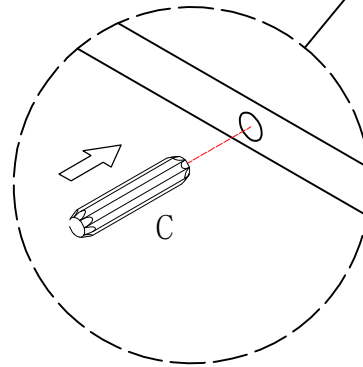
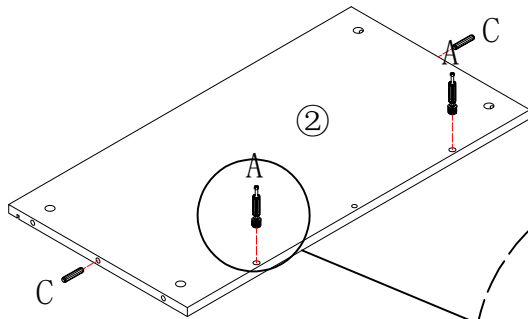
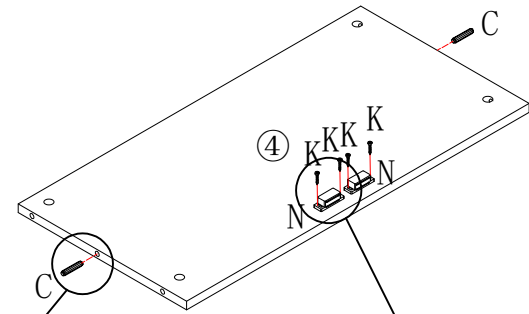
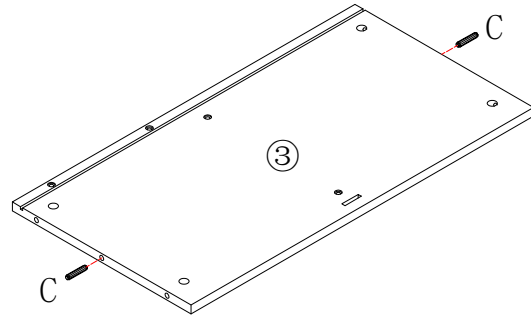
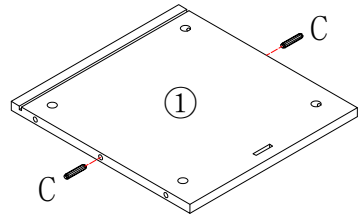



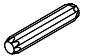


IV



Scan QR code for assembly video

①

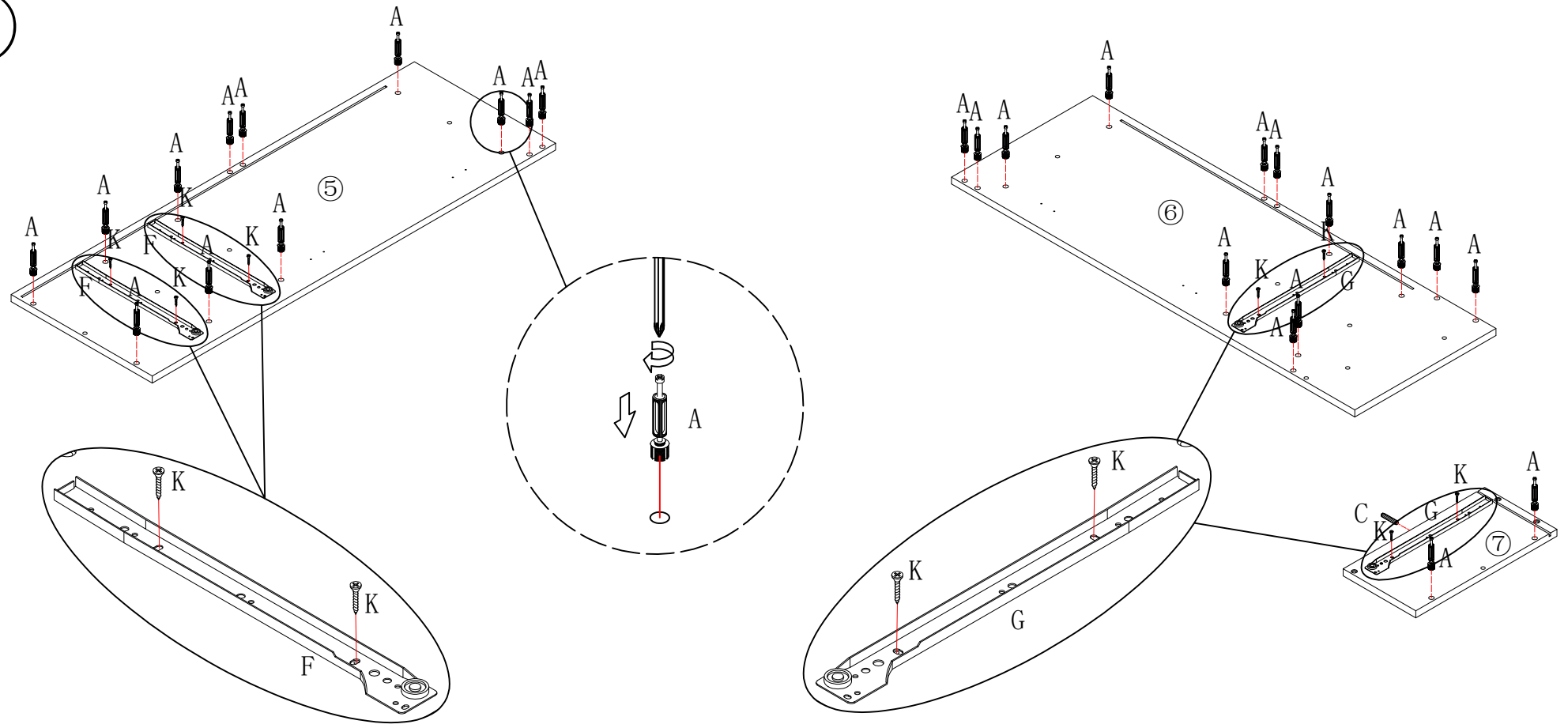



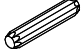





	A*2
	C*11
	K*4
	N*2

put A on board ②

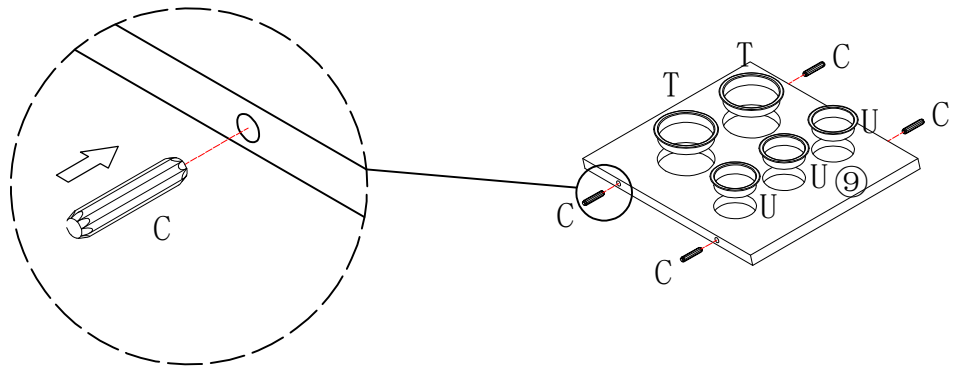
put C on board ①②③④⑩⑫

②

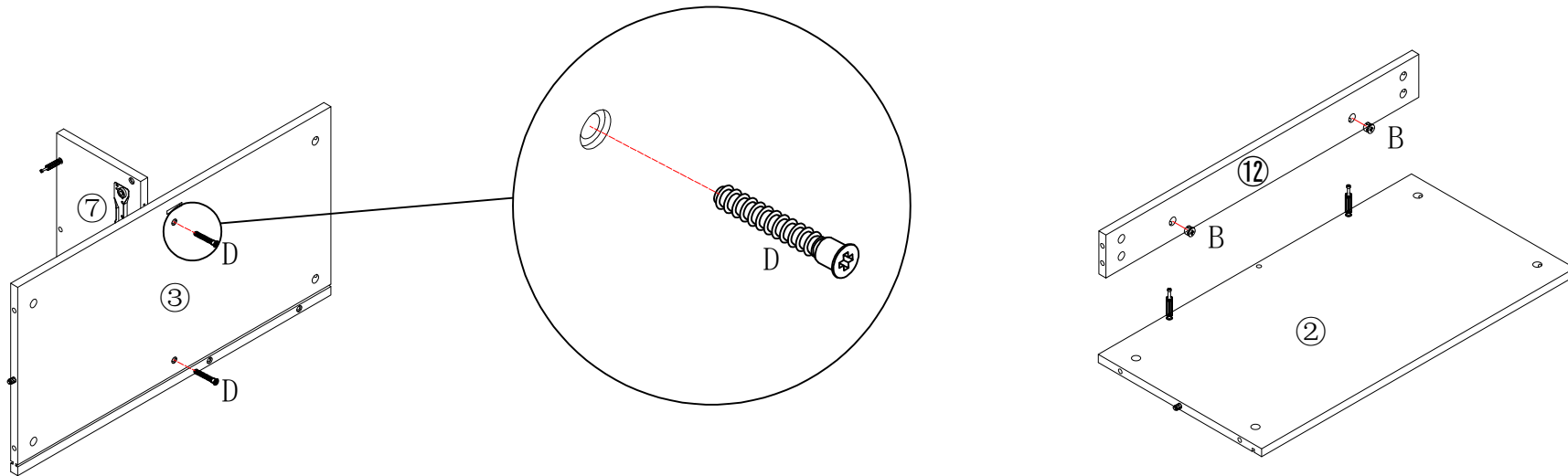


	A*27
	C*5
	F*2
	G*2
	K*8
	T*2
	U*3

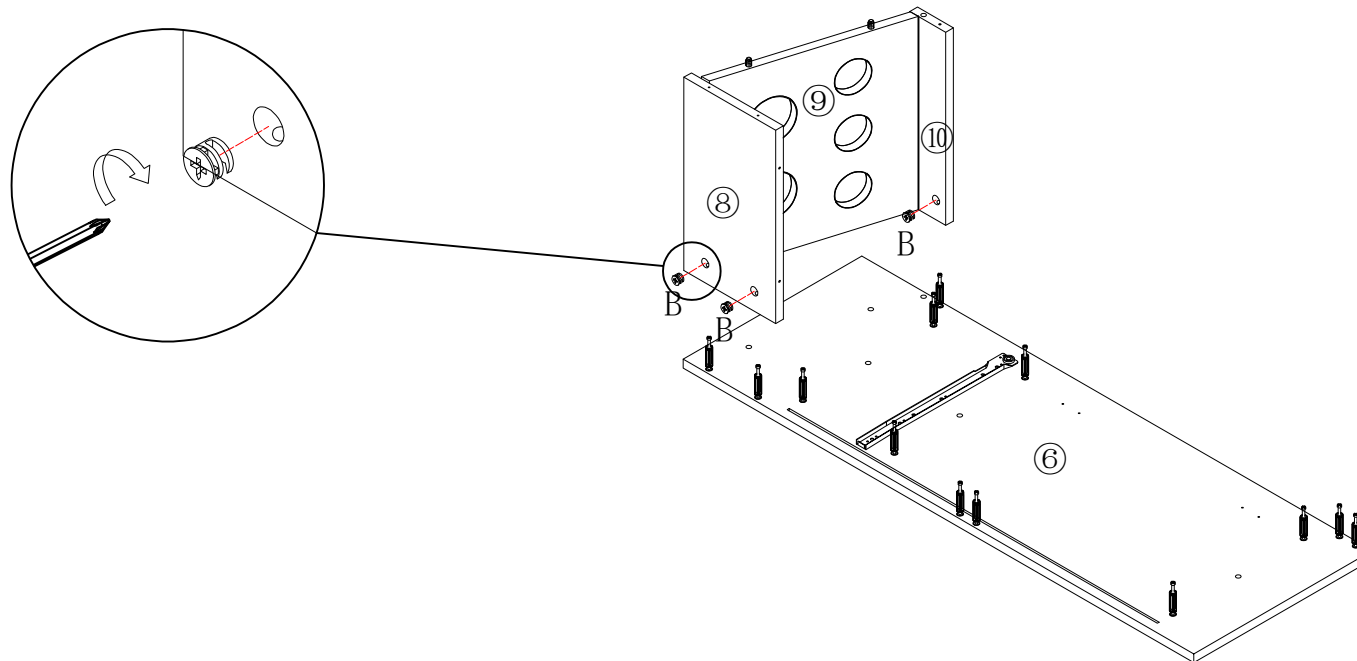
put A on board ⑤⑥⑦
 put C on board ⑦⑨





3



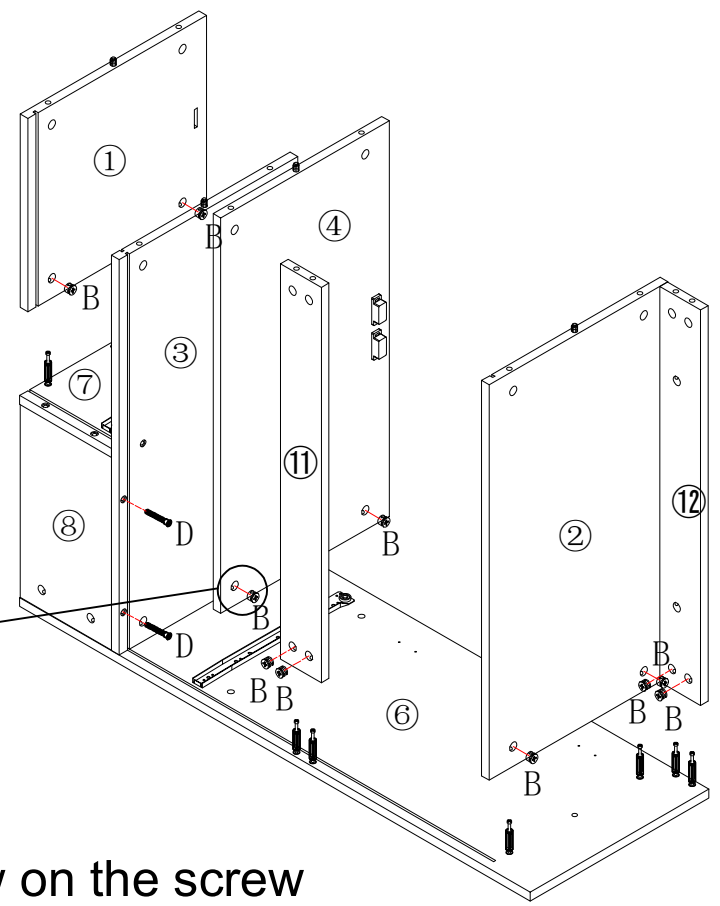
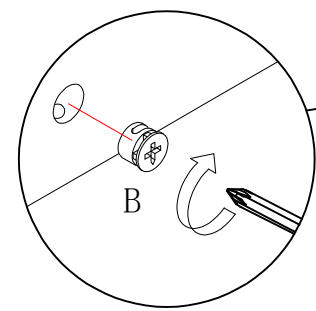
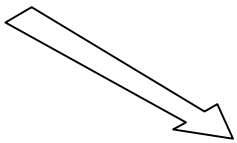
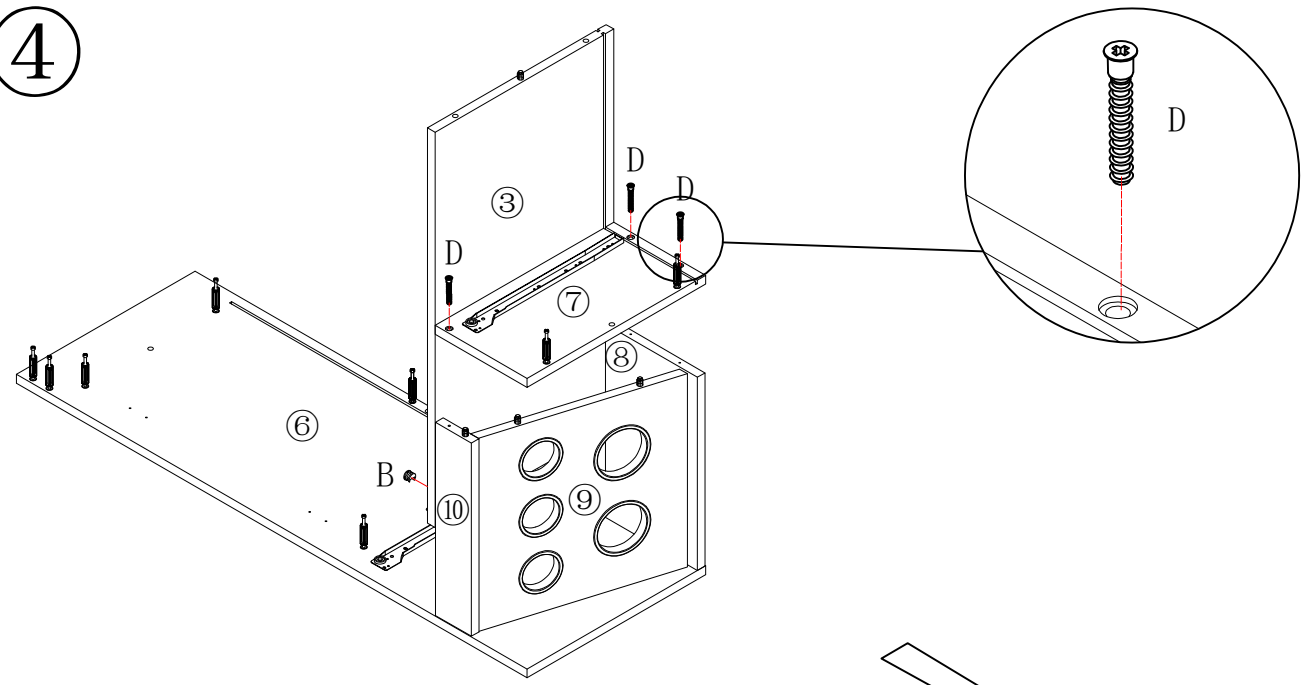
Make sure the arrow on the screw align to the hole on the side.





	B*5
	D*2

put B on board ⑧⑩⑫

4

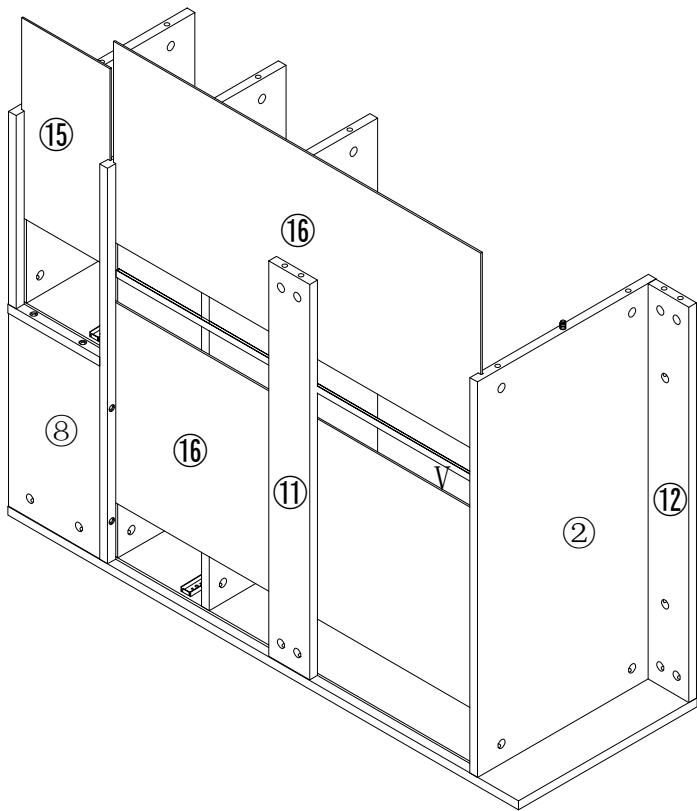


Make sure the arrow on the screw align to the hole on the side.

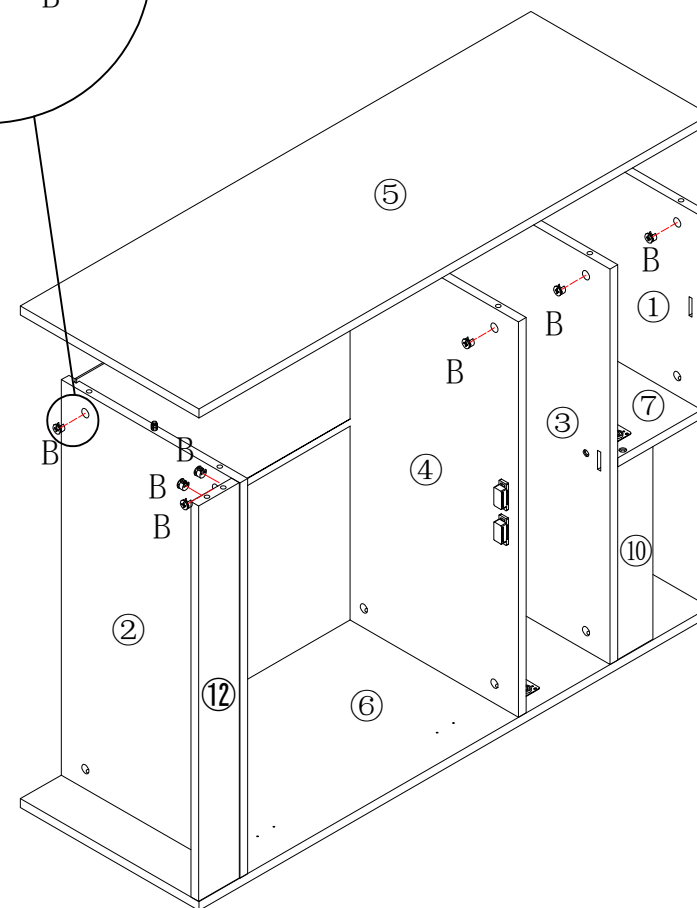
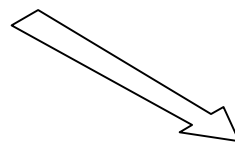
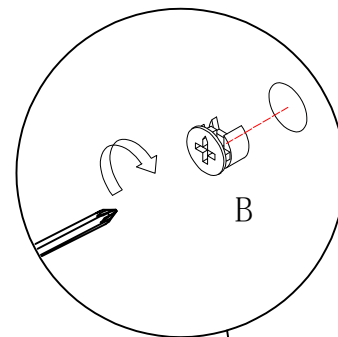
	B*12
	D*5



put B on board ①②③④⑪⑫

5



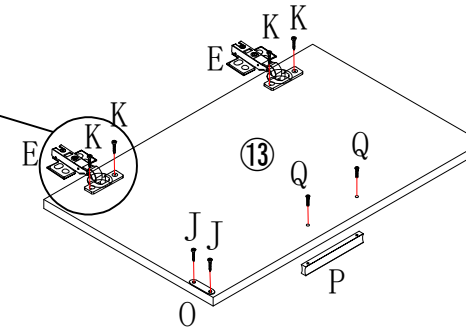
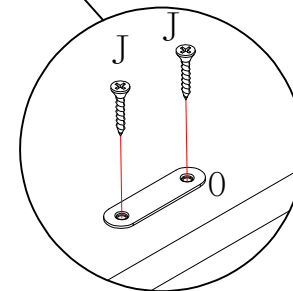
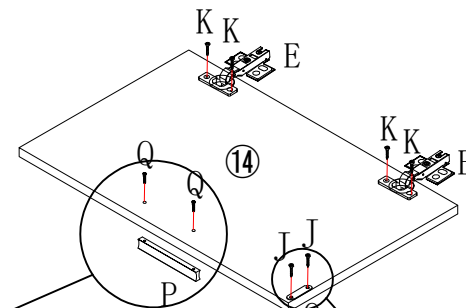
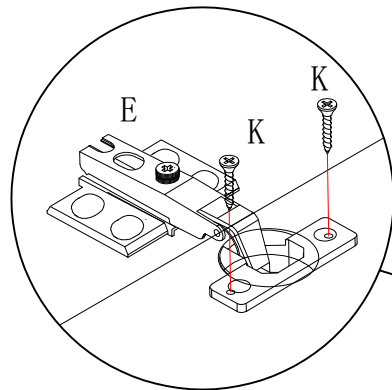
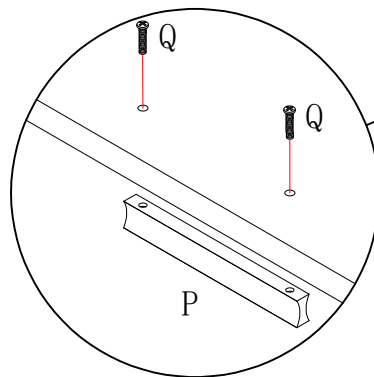
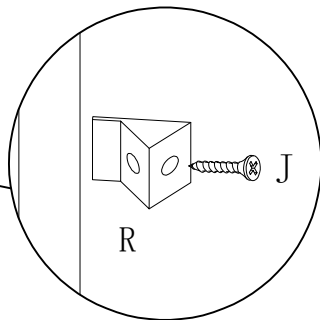
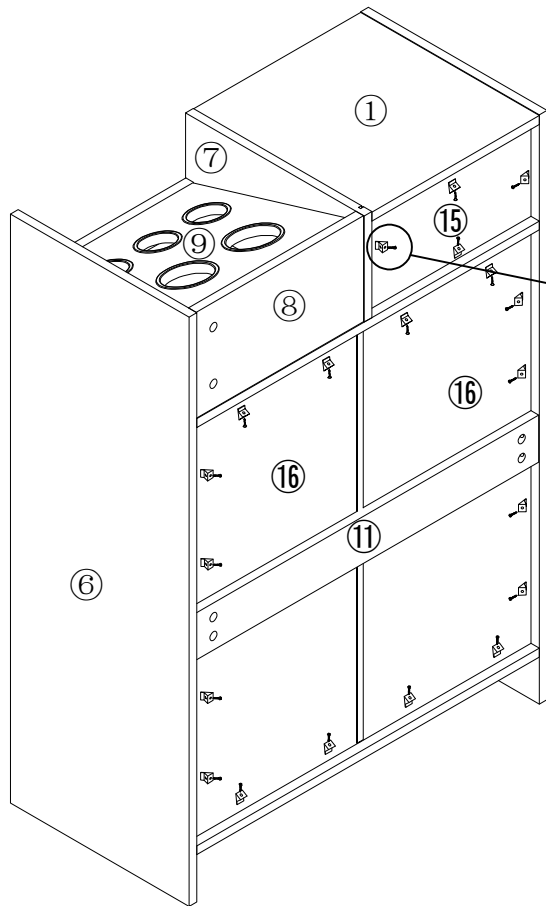
Make sure the arrow on the screw align to the hole on the side.

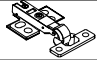



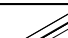

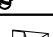


	B*12
	V*1

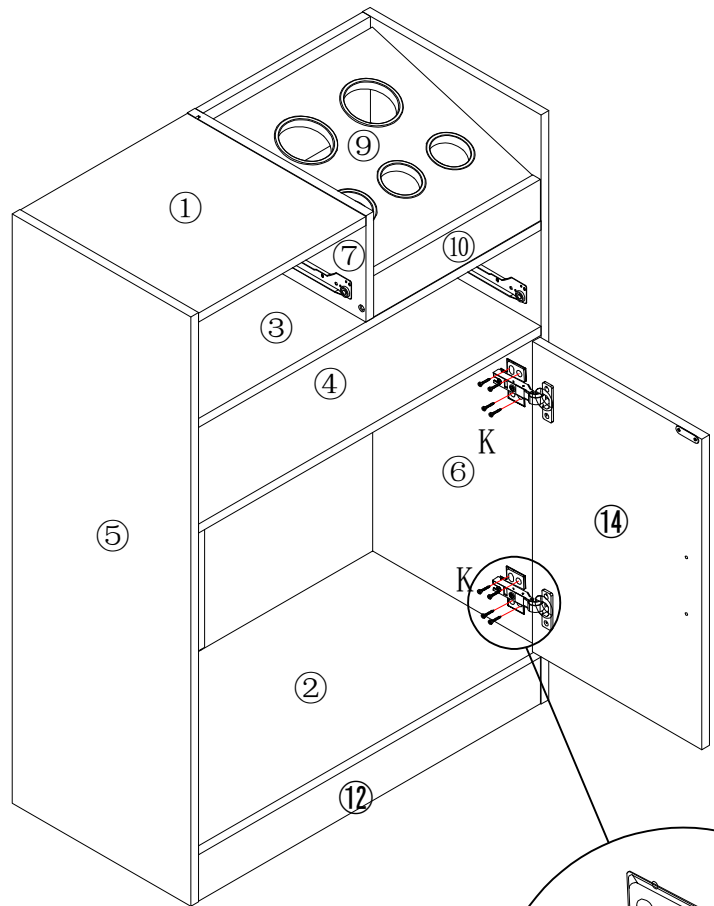
put B on board ①②③④⑪⑫

6

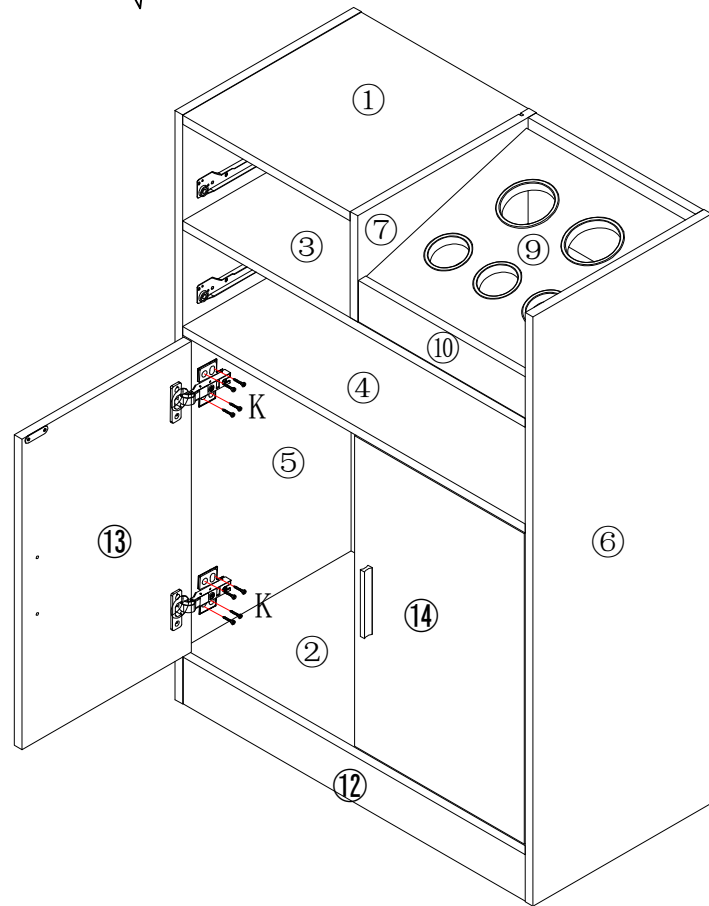


	E*4
	J*24
	K*8
	O*2
	P*2
	Q*4
	R*20

7

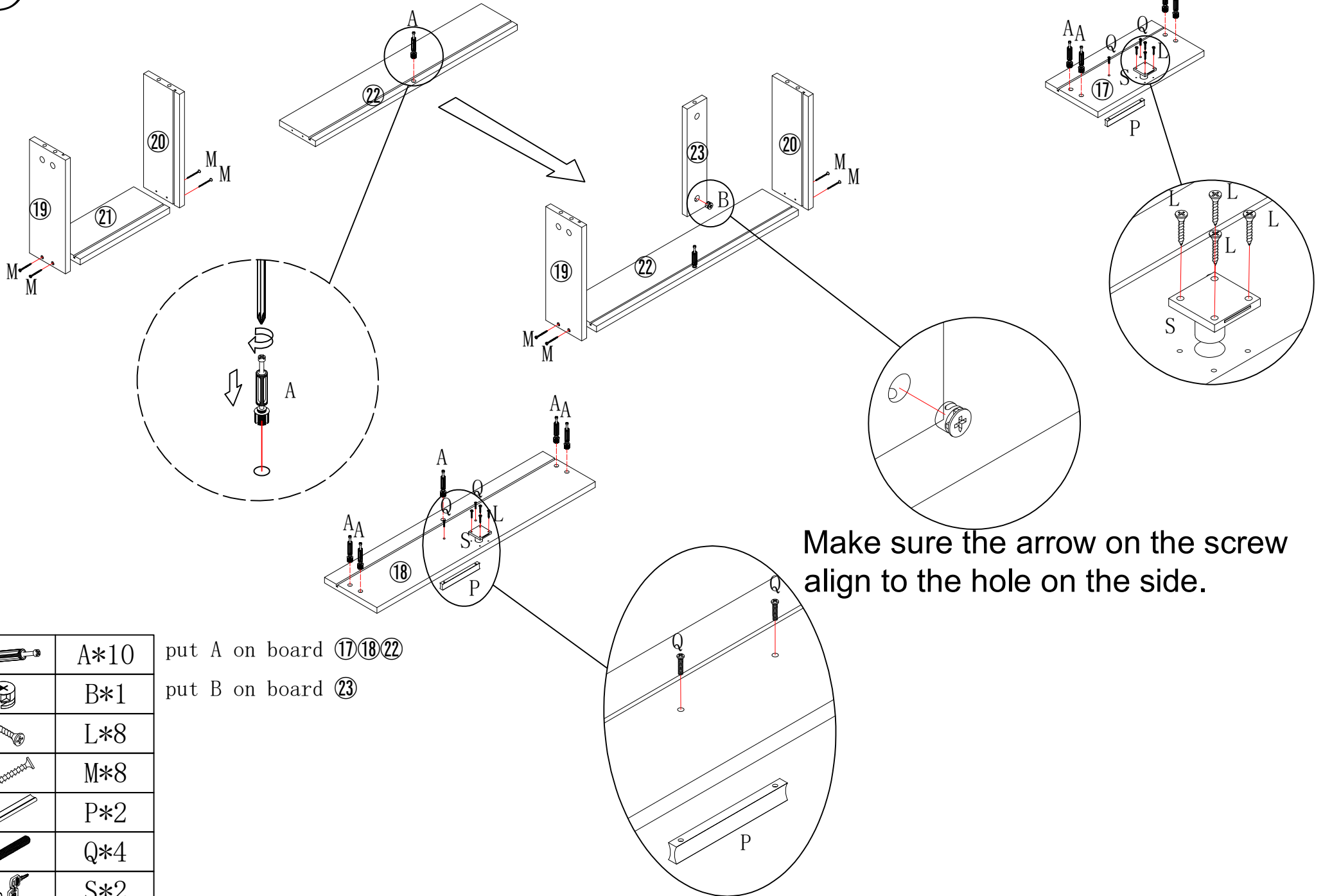


Rotate 90°

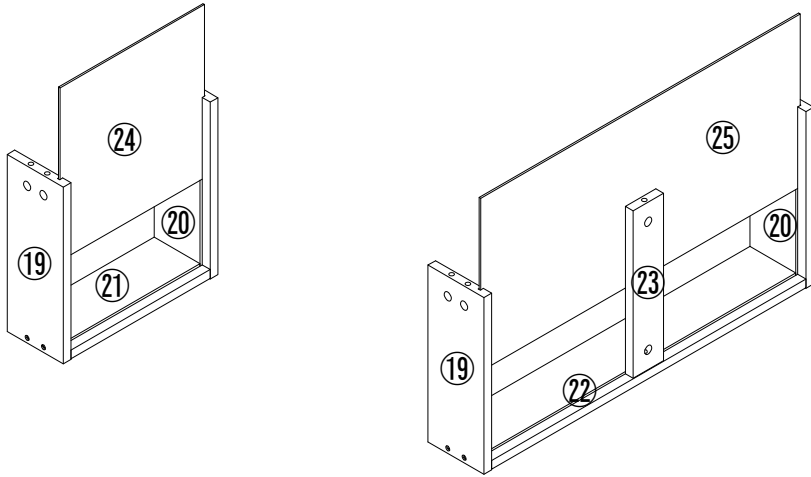


K*16

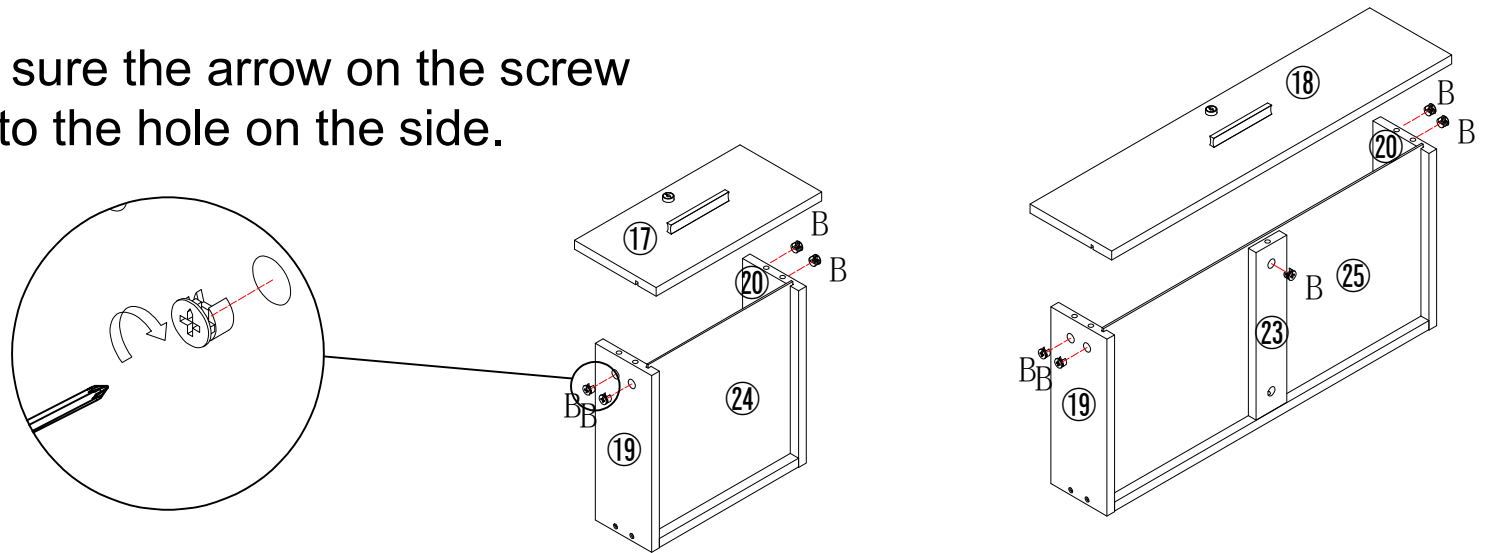
8



9



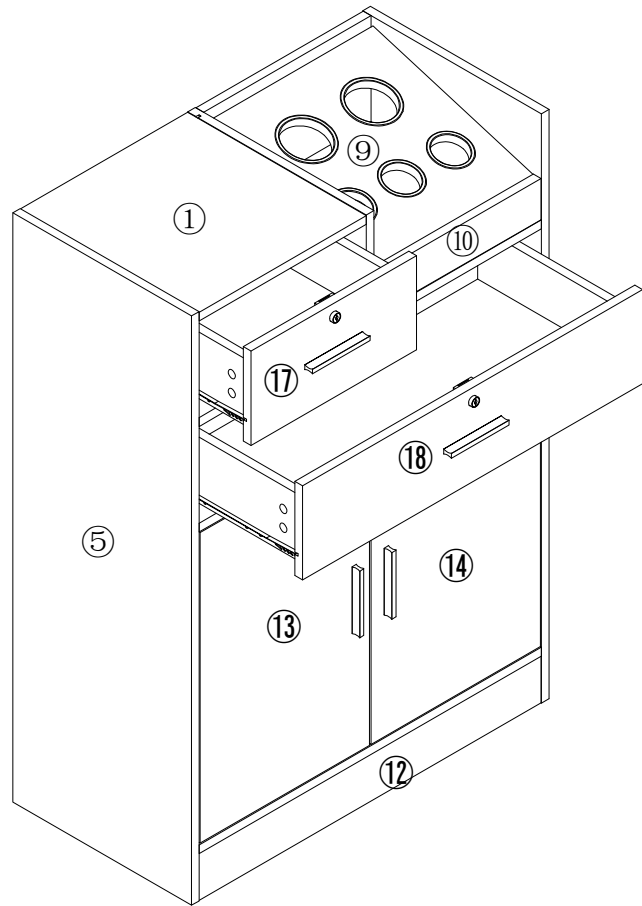
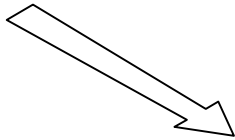
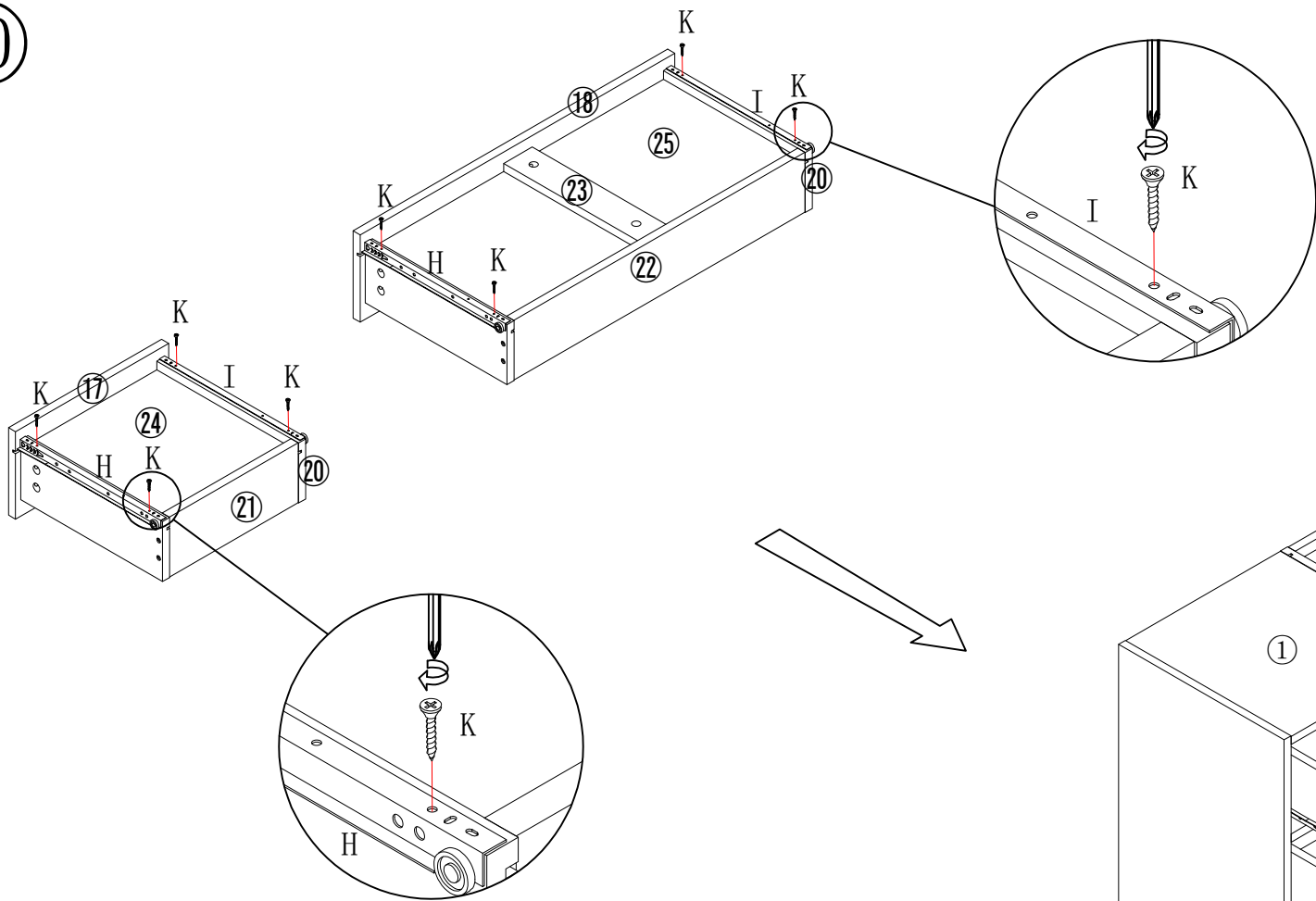
Make sure the arrow on the screw align to the hole on the side.






B*9

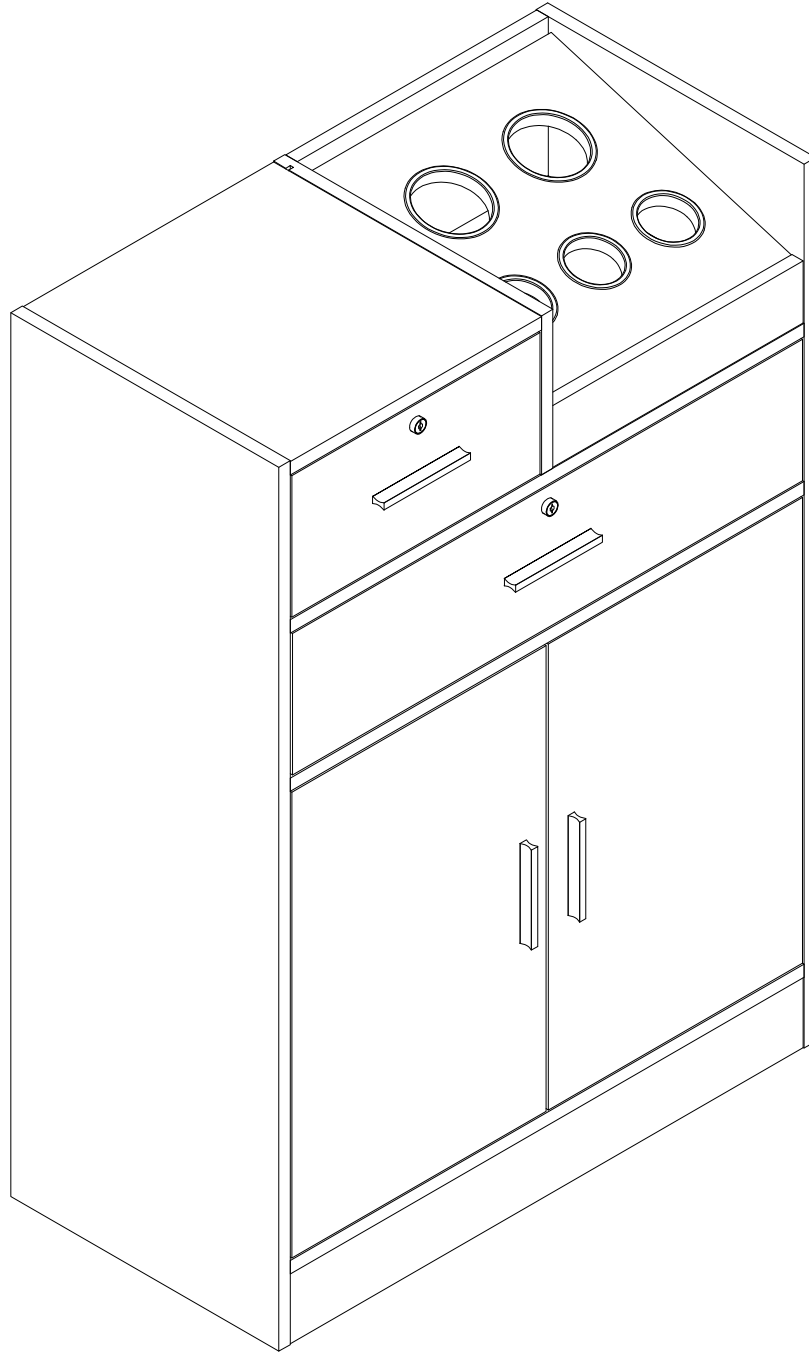
put B on board 15/16

10



	H*2
	I*2
	K*8

11



---END---