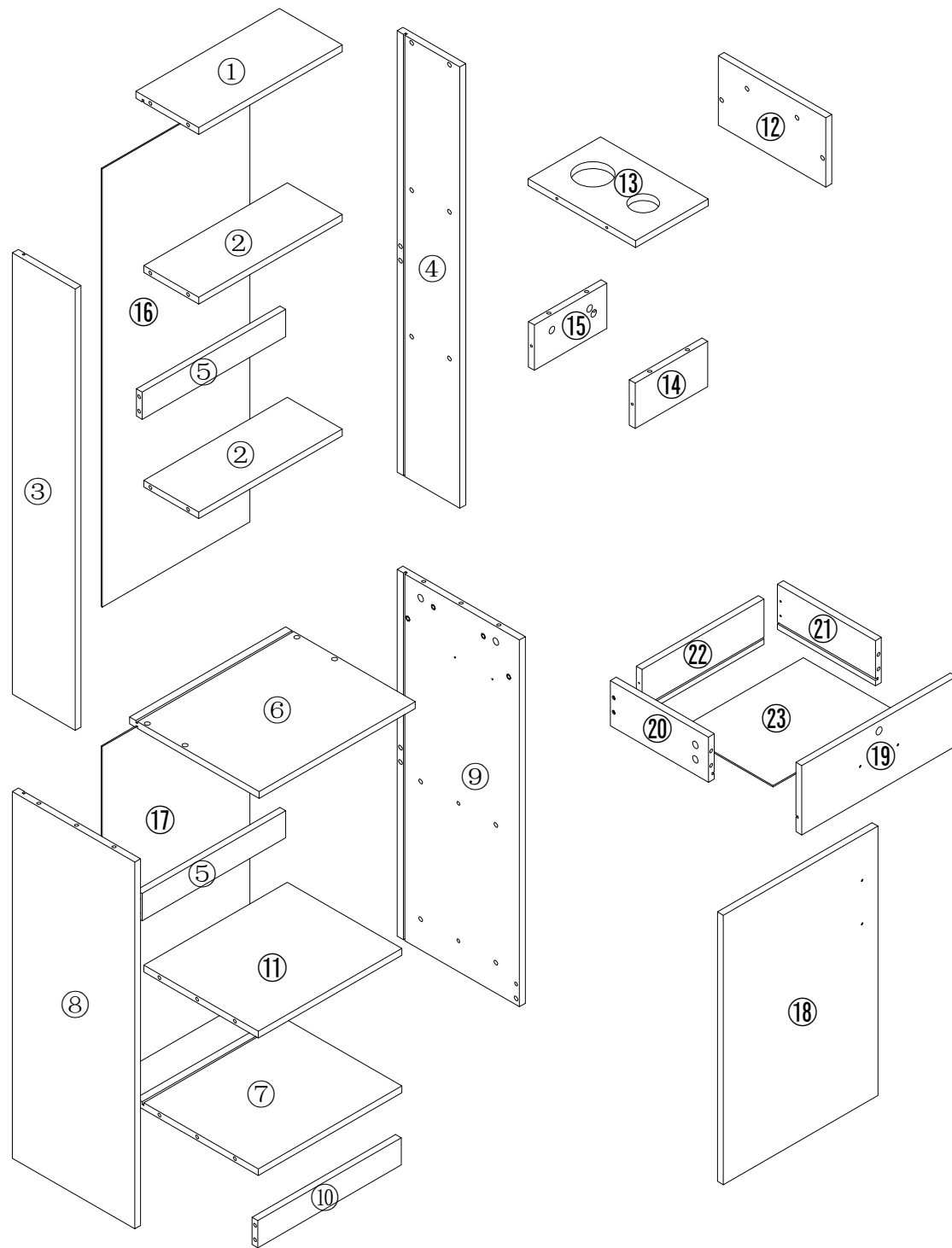
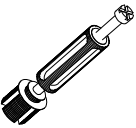
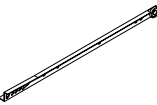
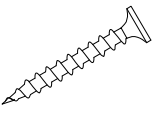

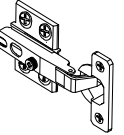
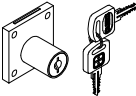
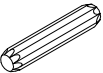
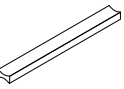
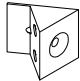



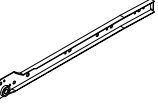
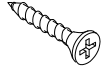

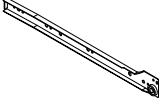
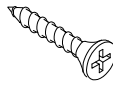
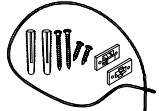
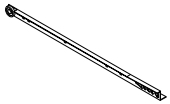
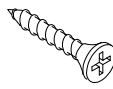
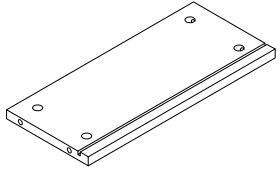


H23061 JG



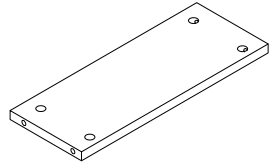
<p>A</p>  <p>46PCS</p>	<p>H 250MM</p>  <p>1PCS</p>	<p>O 3.5*35</p>  <p>4PCS</p>
<p>B</p>  <p>46PCS</p>	<p>I</p>  <p>2PCS</p>	<p>P</p>  <p>1PCS</p>
<p>C 8*40</p>  <p>8PCS</p>	<p>J 96MM</p>  <p>2PCS</p>	<p>Q</p>  <p>24PCS</p>
<p>D 7*50</p>  <p>8PCS</p>	<p>K 4*18</p>  <p>4PCS</p>	<p>R ϕ 80</p>  <p>1PCS</p>
<p>E 250MM</p>  <p>1PCS</p>	<p>L 3*12</p>  <p>24PCS</p>	<p>S ϕ 60</p>  <p>1PCS</p>
<p>F 250MM</p>  <p>1PCS</p>	<p>M 3.5*14</p>  <p>20PCS</p>	<p>T</p>  <p>2PCS</p>
<p>G 250MM</p>  <p>1PCS</p>	<p>N 3.5*16</p>  <p>4PCS</p>	

1



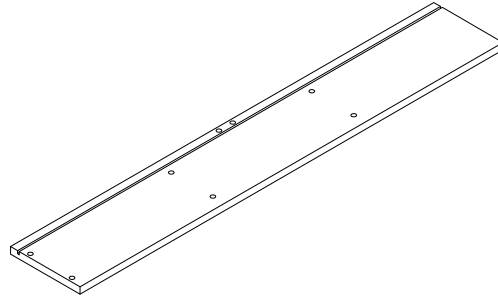
366*160 1 PCS

2



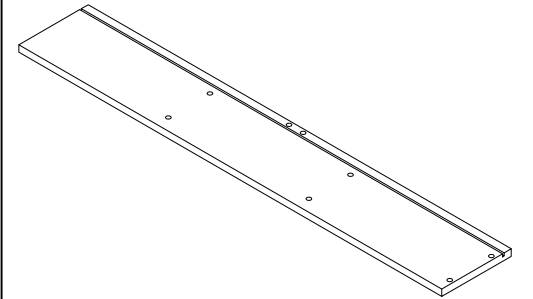
366*140 2 PCS

3



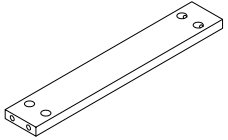
975*160 1 PCS

4



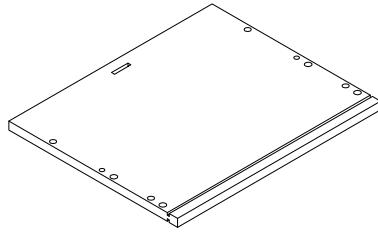
975*160 1 PCS

5



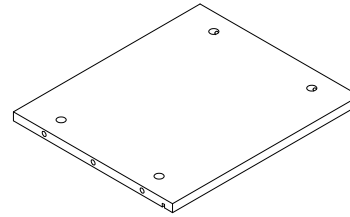
366*60 2 PCS

6



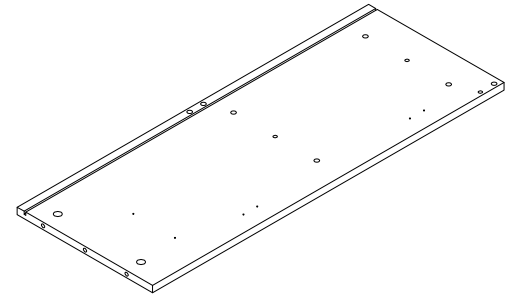
398*330 1 PCS

7



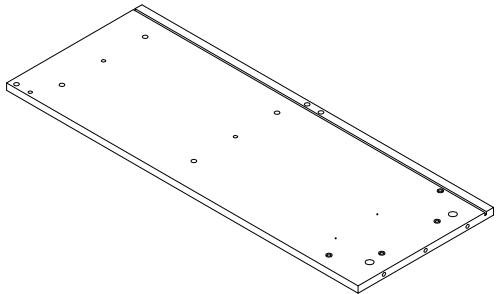
366*312 1 PCS

8



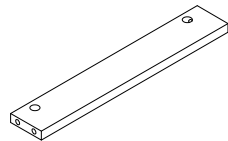
810*312 1 PCS

9



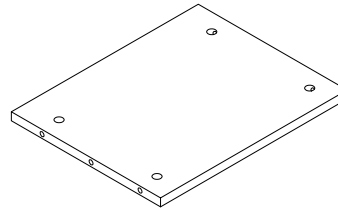
810*312 1 PCS

10



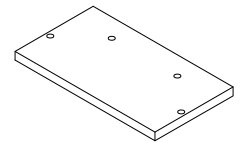
366*60 1 PCS

11



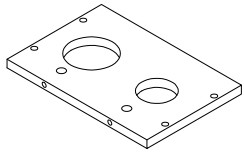
366*292 1 PCS

12



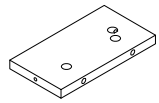
153*274 1 PCS

13



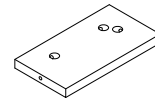
274*185 1 PCS

14



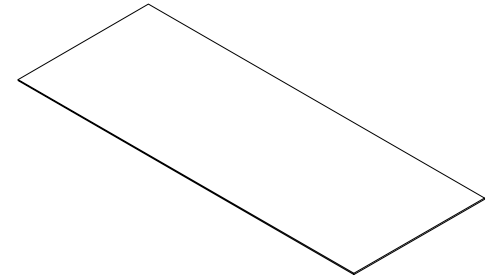
185*100 1 PCS

15



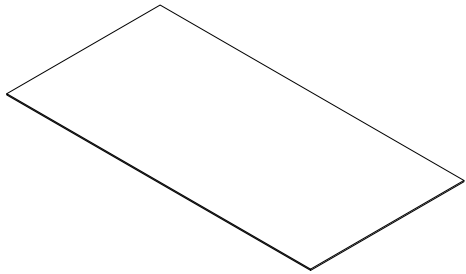
184*100 1 PCS

16



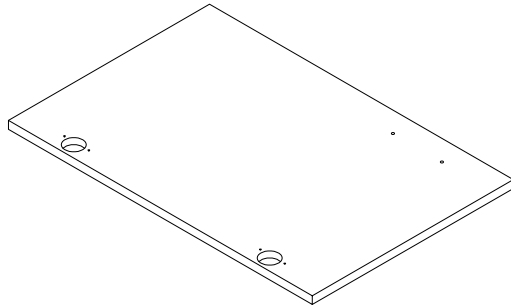
968*376 1 PCS

17



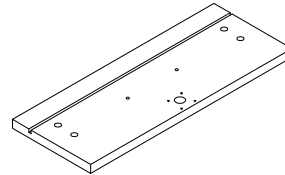
744*376 1 PCS

18



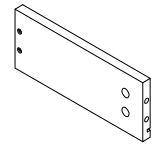
595*394 1 PCS

19



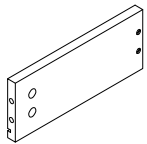
394*153 1 PCS

20



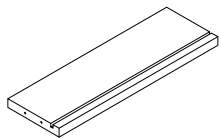
250*100 1 PCS

21



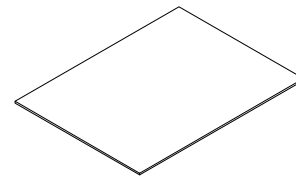
250*100 1 PCS

22



311*100 1 PCS

23



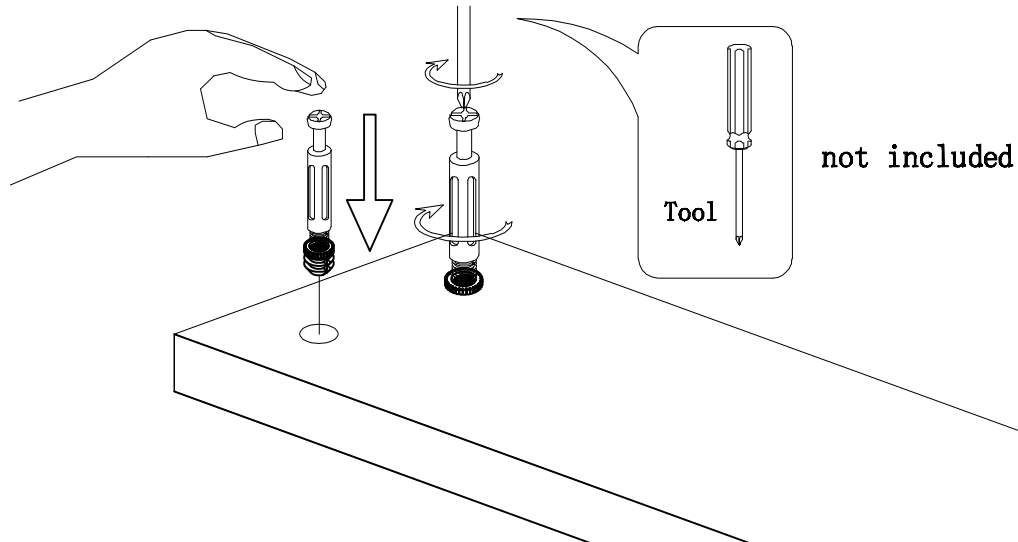
321*244 1 PCS



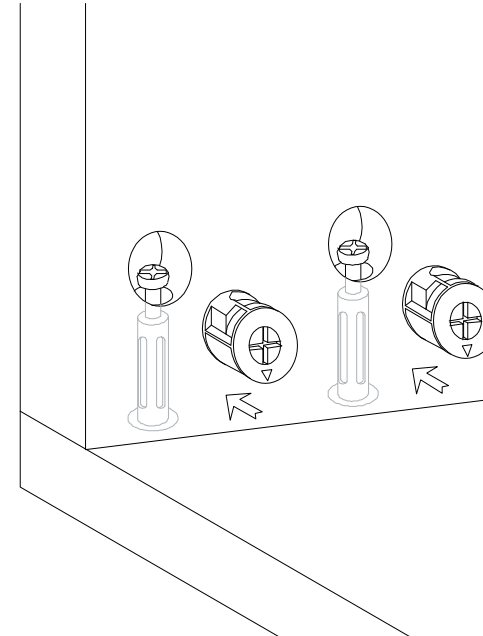
Hardware installation demonstration

NOTE: Please make sure "A" hardware tightened and can't be pulled out!

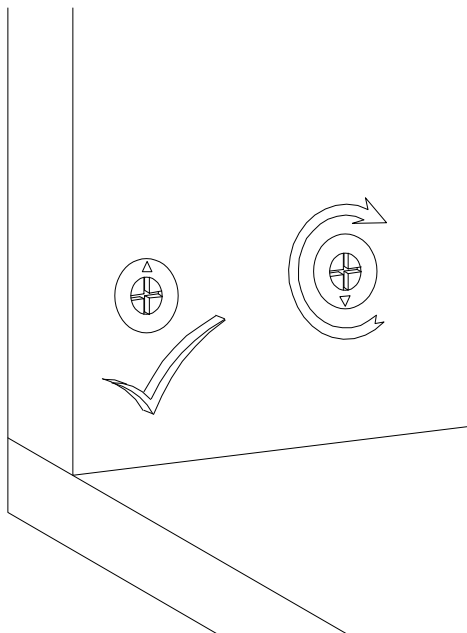
I



II



III

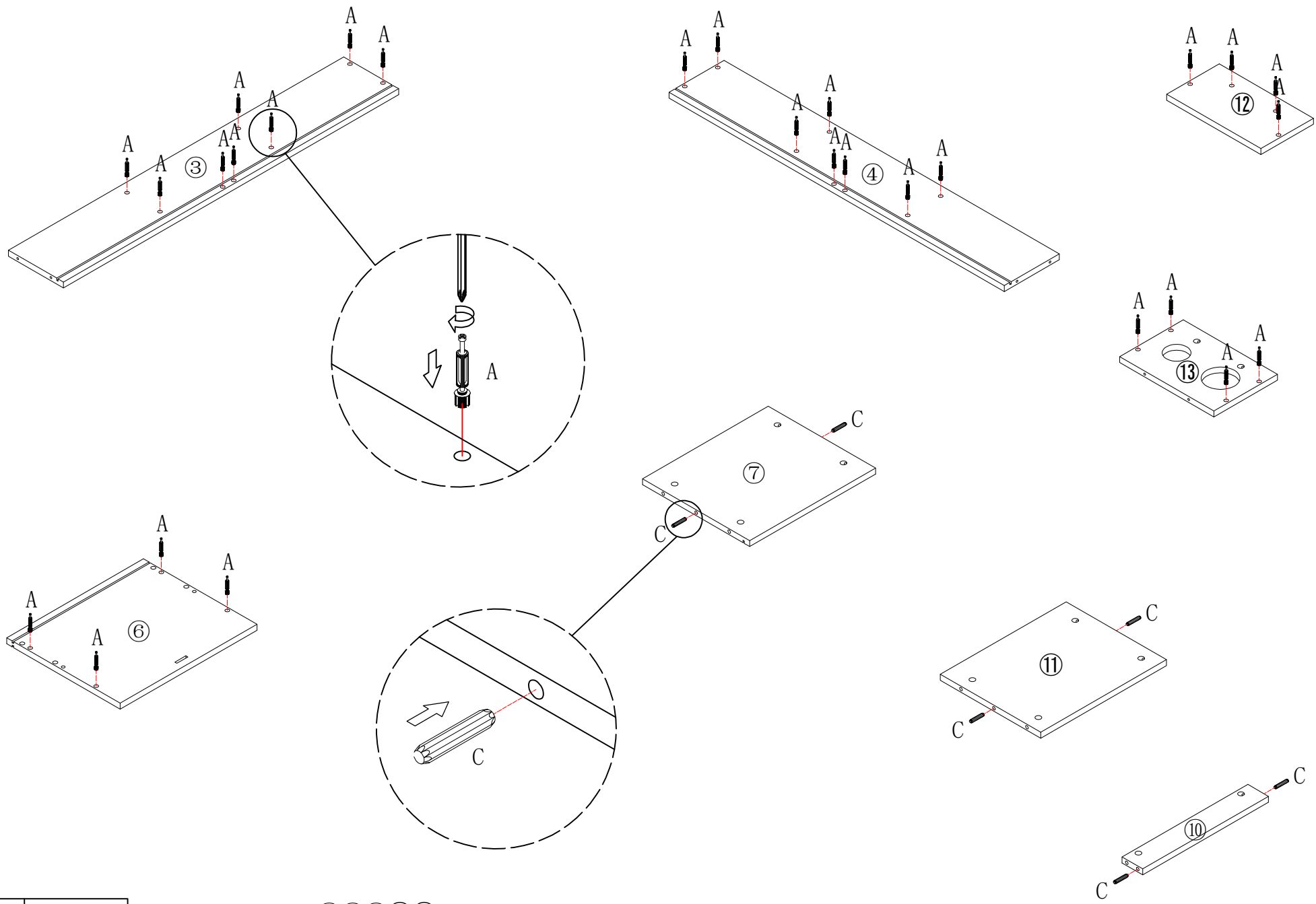




IV



Scan QR code for assembly video

1

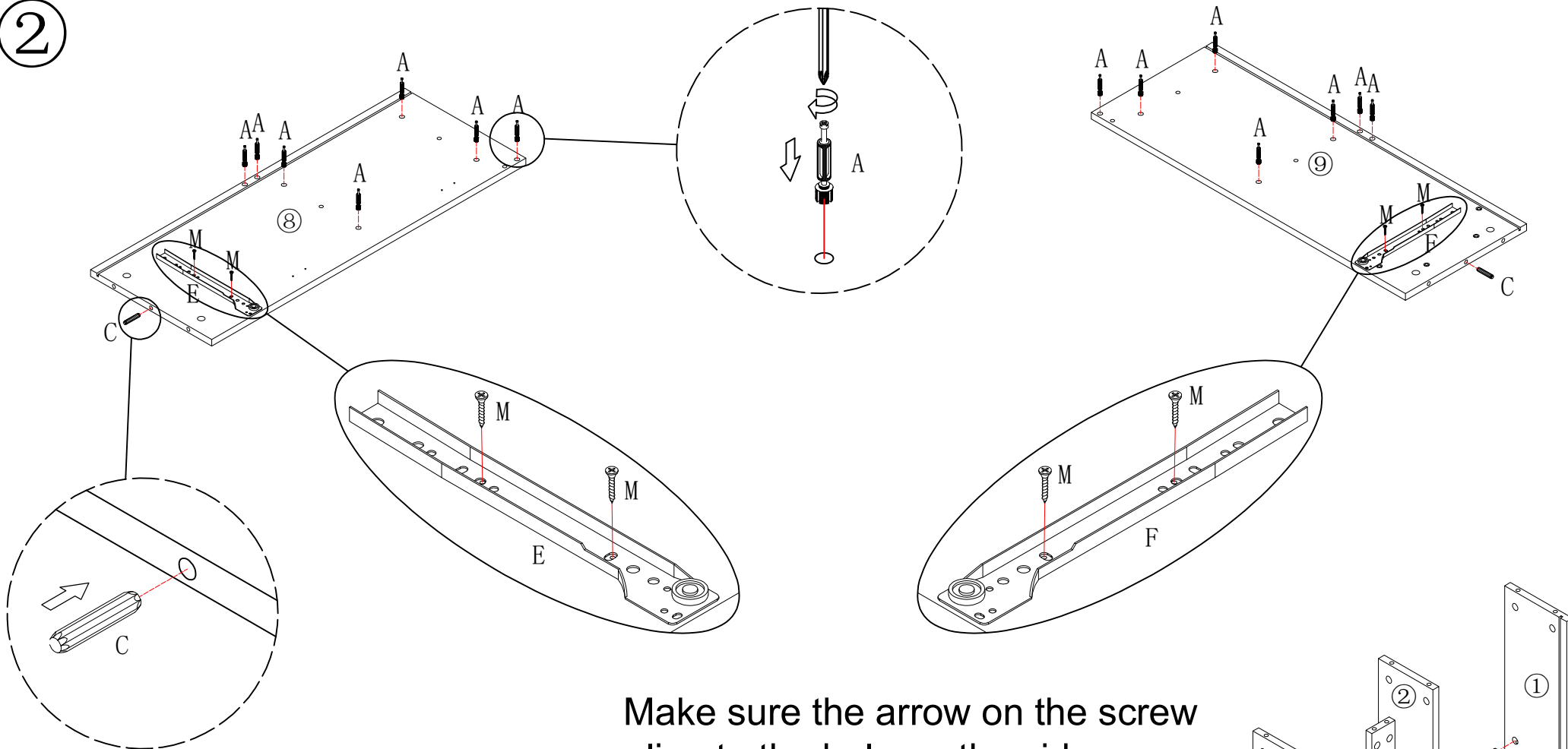


	A*28
	C*6

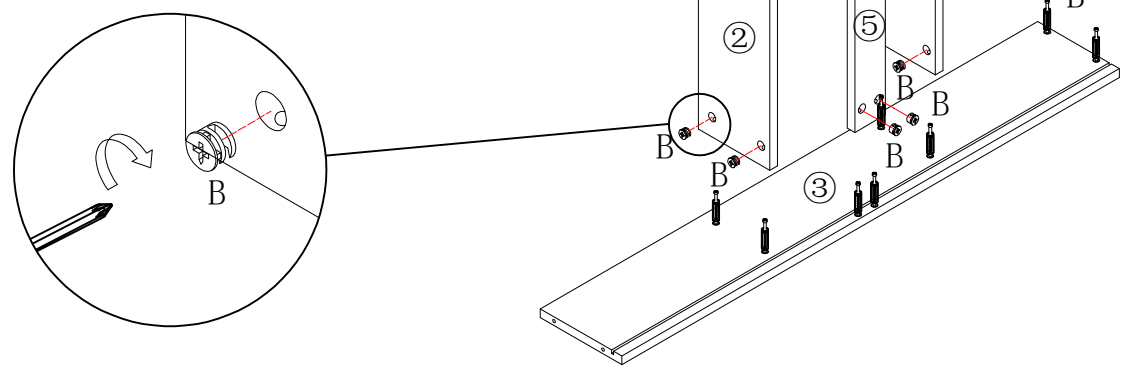
put A on board ③④⑥⑫⑬







put C on board ⑦⑩⑪

②



Make sure the arrow on the screw align to the hole on the side.

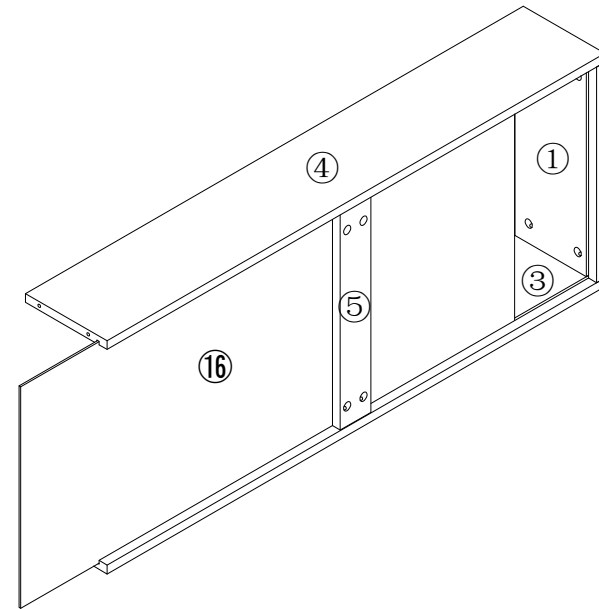
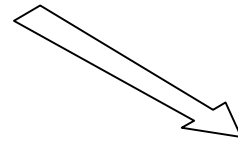
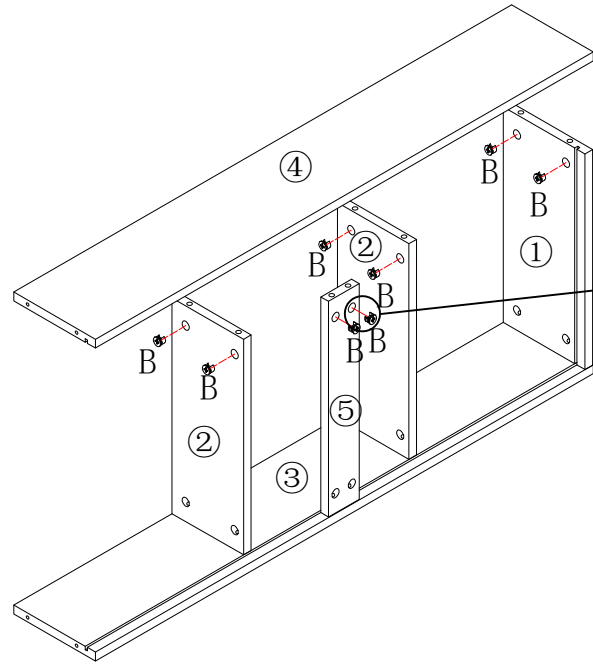


	A*14
	C*2
	B*8
	E*1
	F*1
	M*4

put A on board ⑧⑨
 put C on board ⑧⑨
 put B on board ①②⑤

3

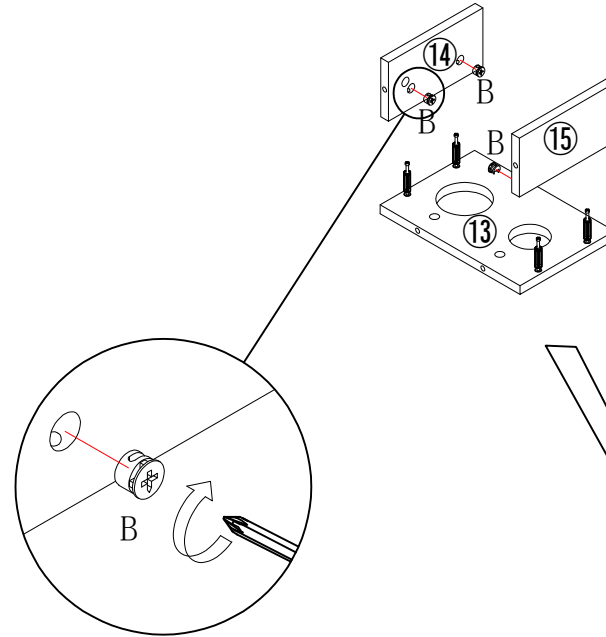
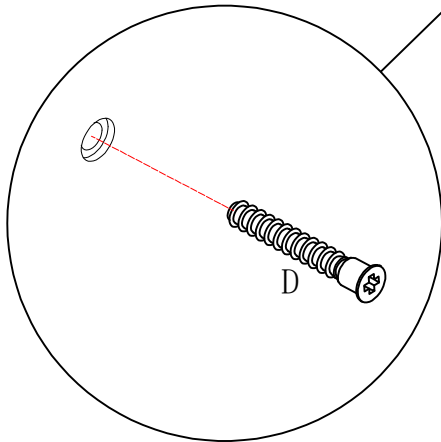
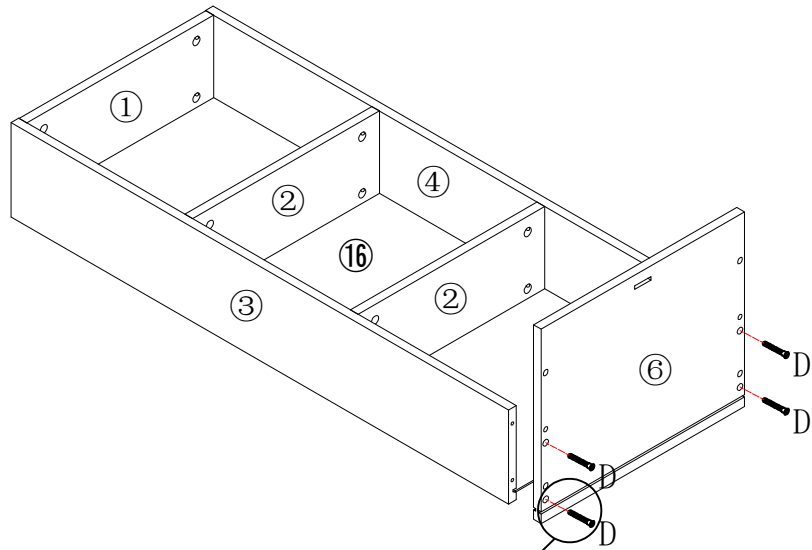
Make sure the arrow on the screw align to the hole on the side.



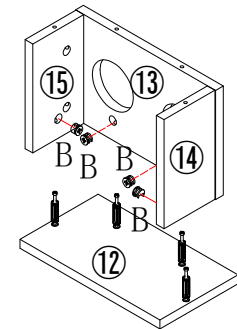
B*8



put B on board ①②⑤

4



Make sure the arrow on the screw align to the hole on the side.

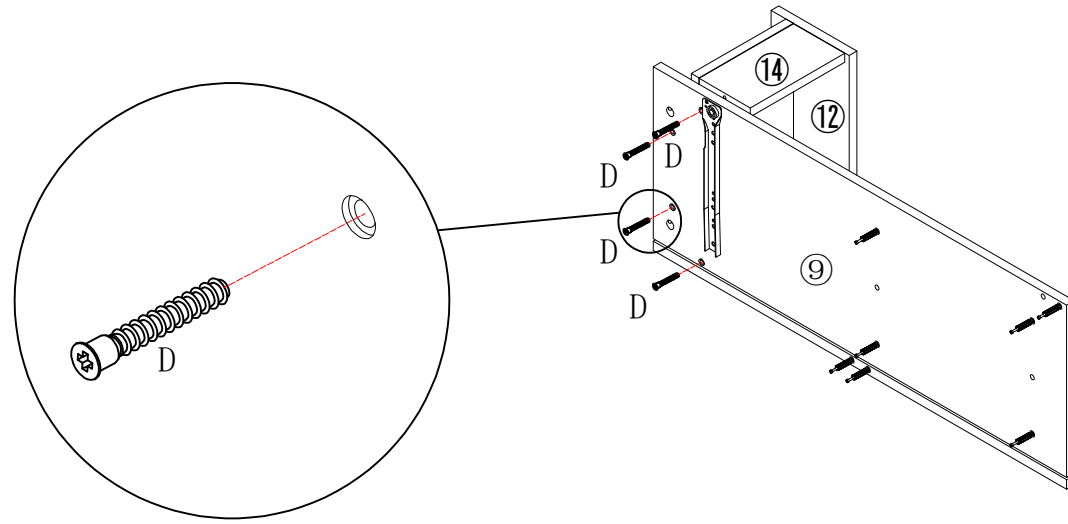
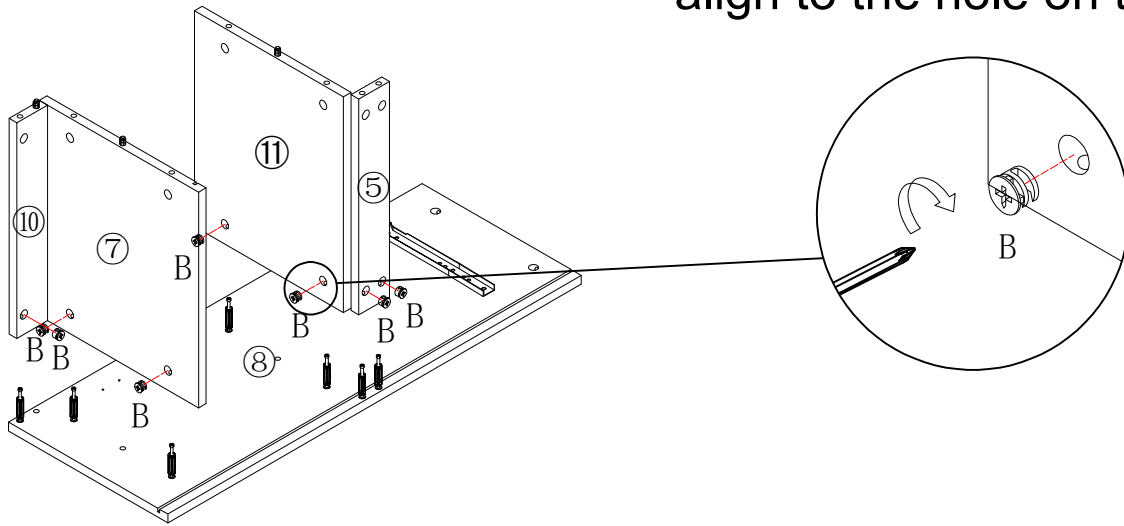




	B*8
	D*4

put B on board 13 14 15

5

Make sure the arrow on the screw align to the hole on the side.

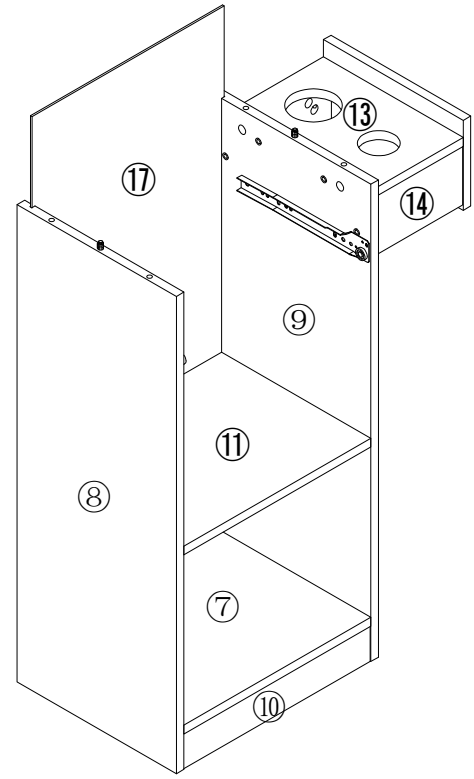
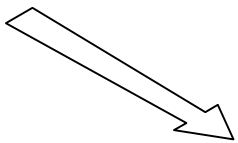
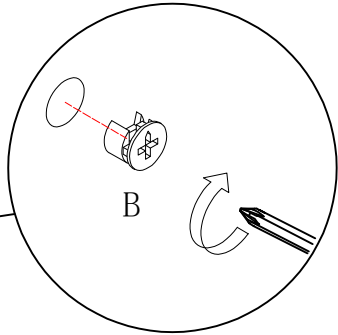
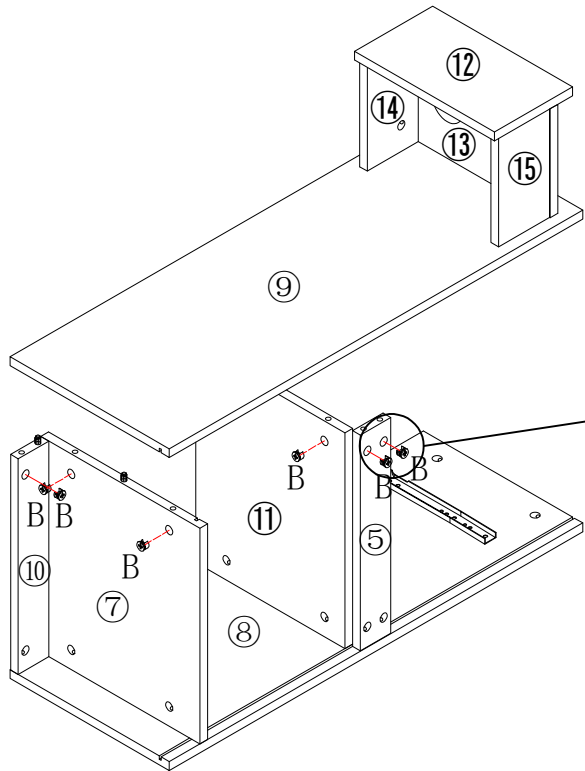


	B*7
	D*4

put B on board 5 7 10 11

6

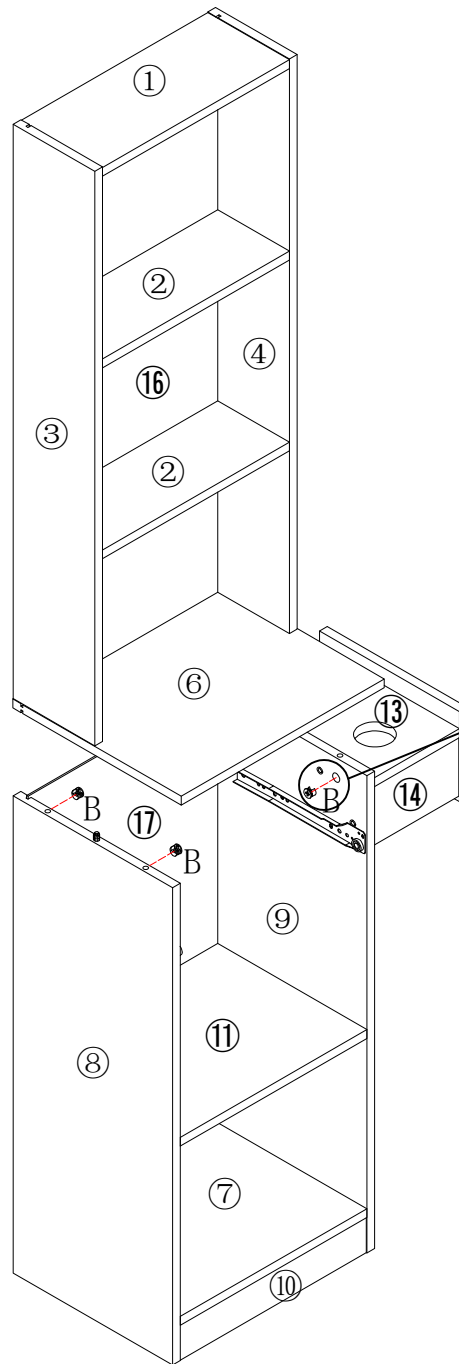
Make sure the arrow on the screw align to the hole on the side.



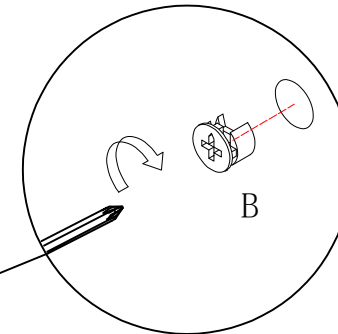
B*7

put B on board 5 7 10 11

7



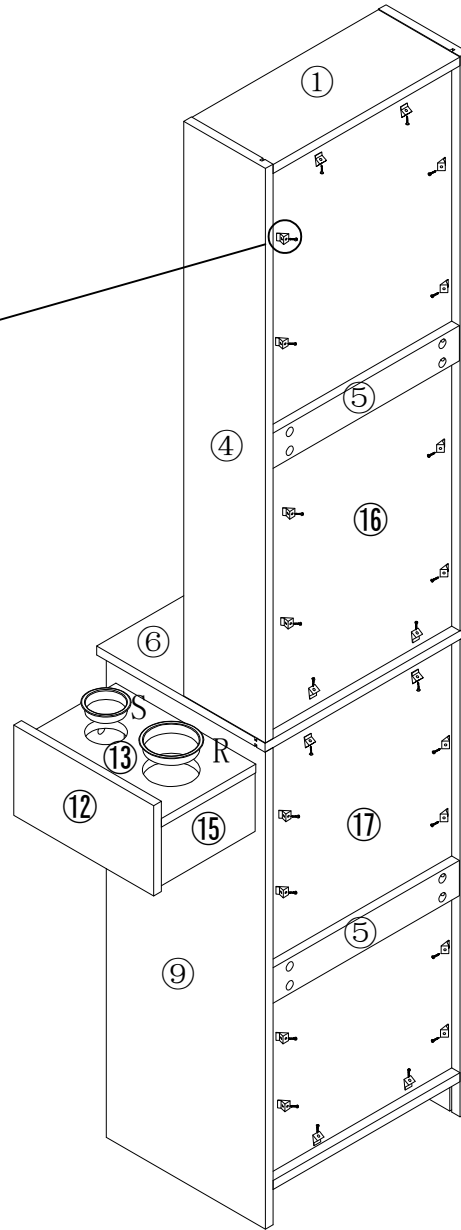
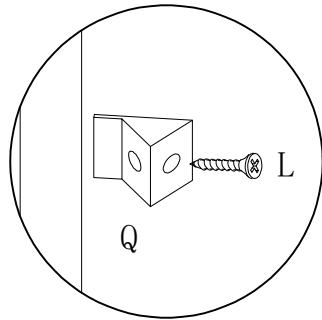
Make sure the arrow on the screw align to the hole on the side.


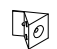




B*4

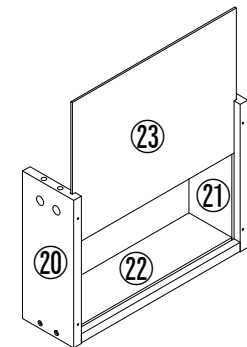
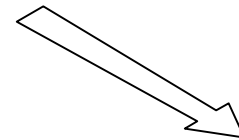
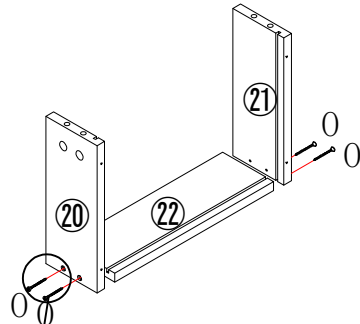
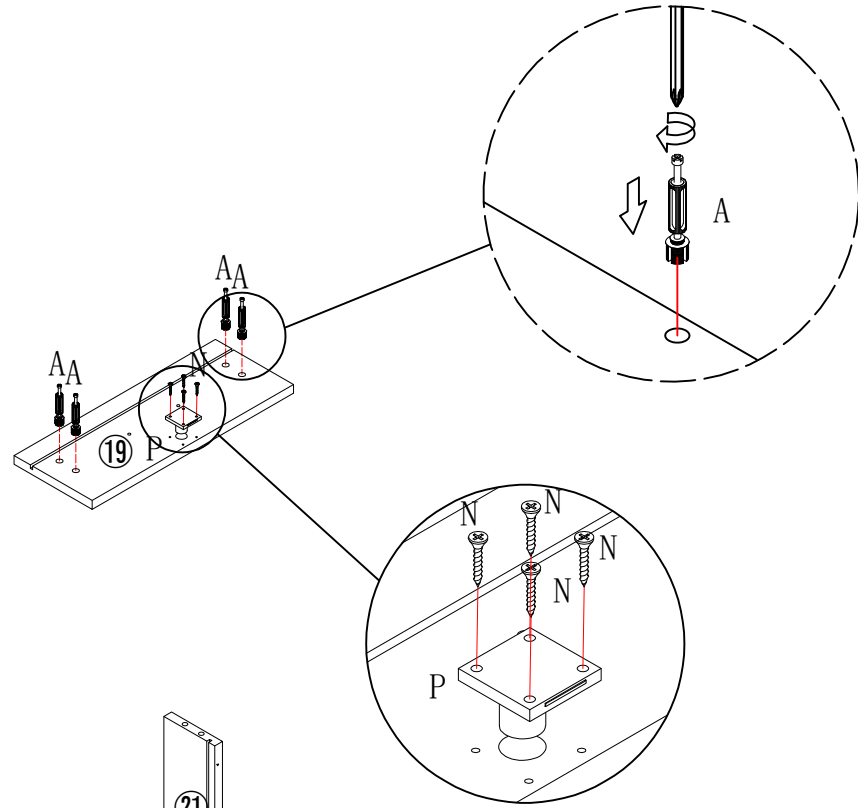
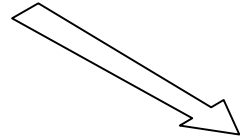
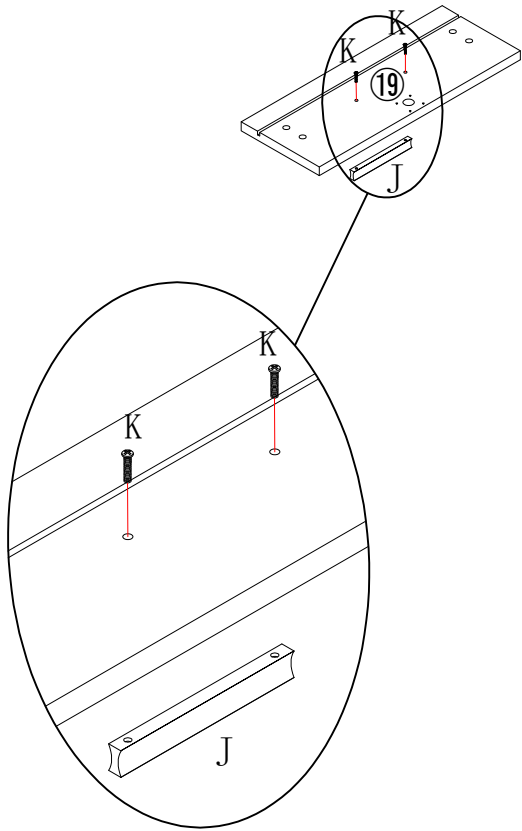
put B on board 8 9







8



	L*24
	Q*24
	R*1
	S*1

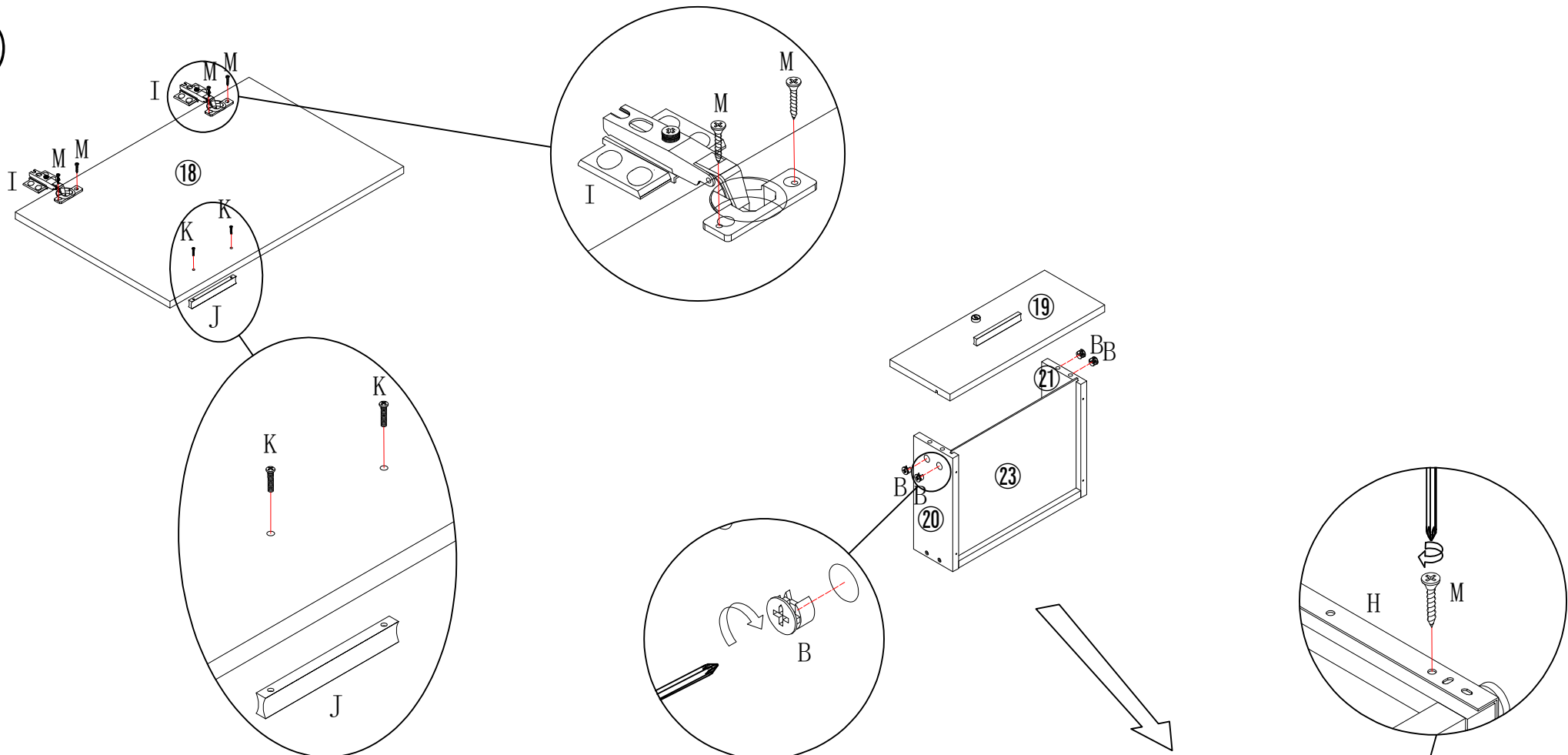
9










	A*4
	J*1
	K*2
	N*4
	O*4
	P*1

put A on board ①9

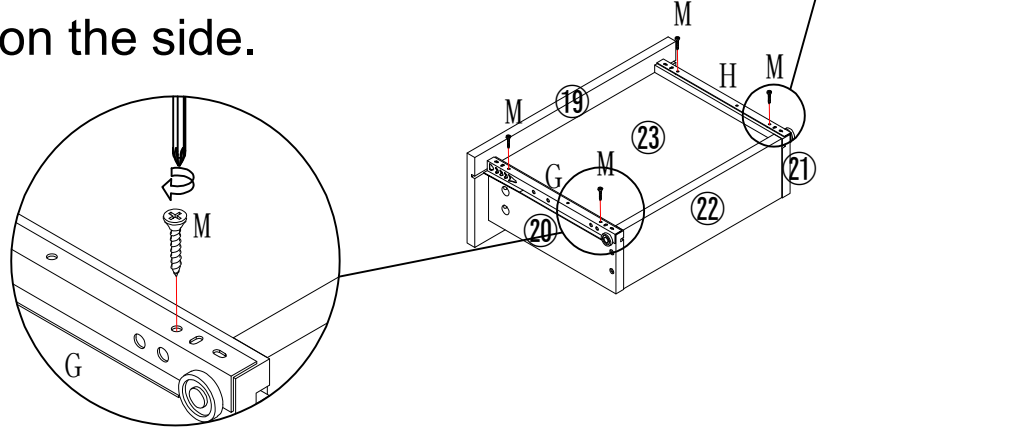
10



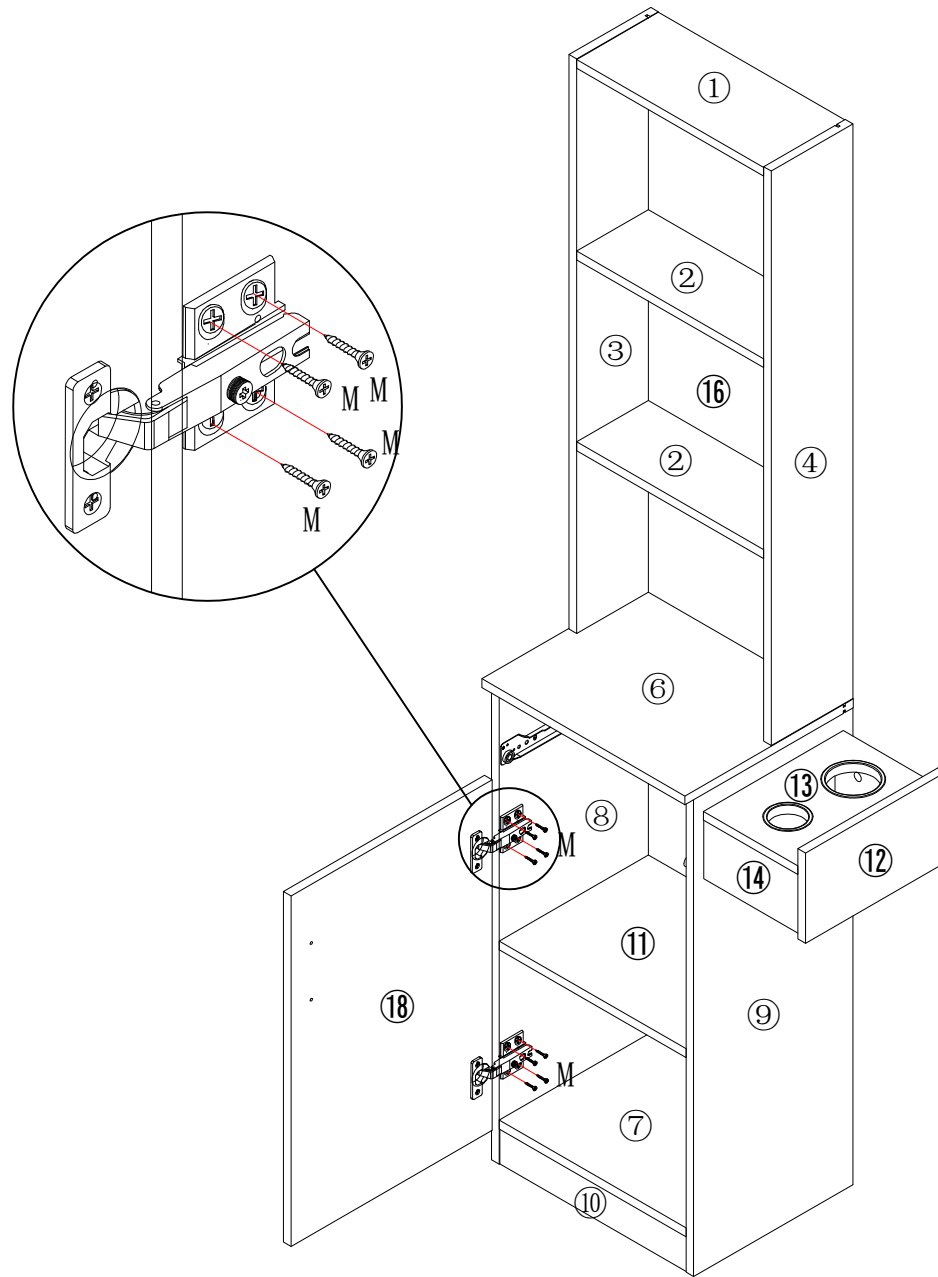
Make sure the arrow on the screw align to the hole on the side.

	B*4
	G*1
	H*1
	I*2
	J*1
	K*2
	M*8

put B on board ②⑤⑨⑪

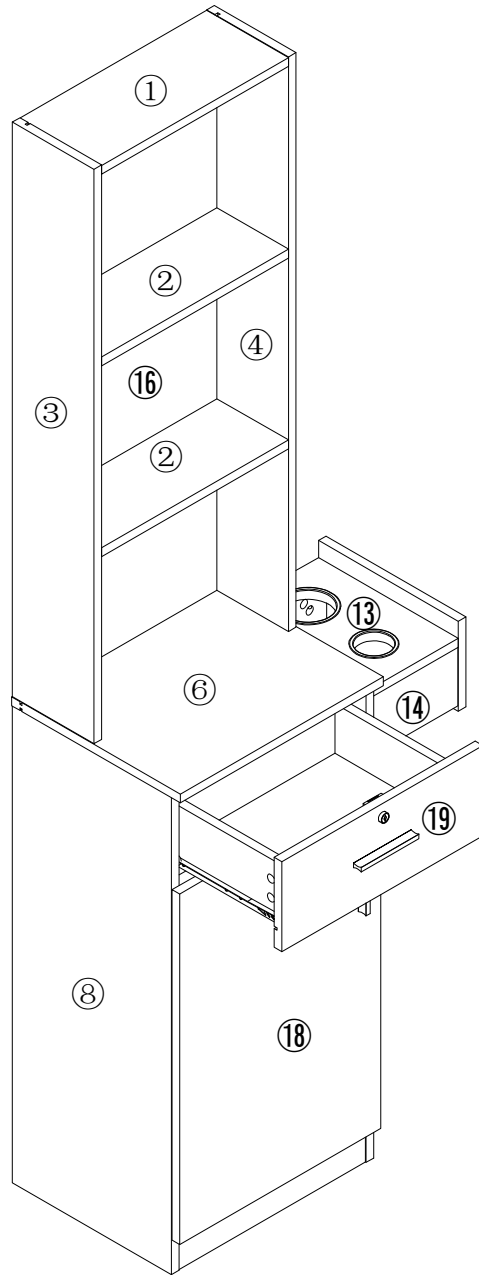


11

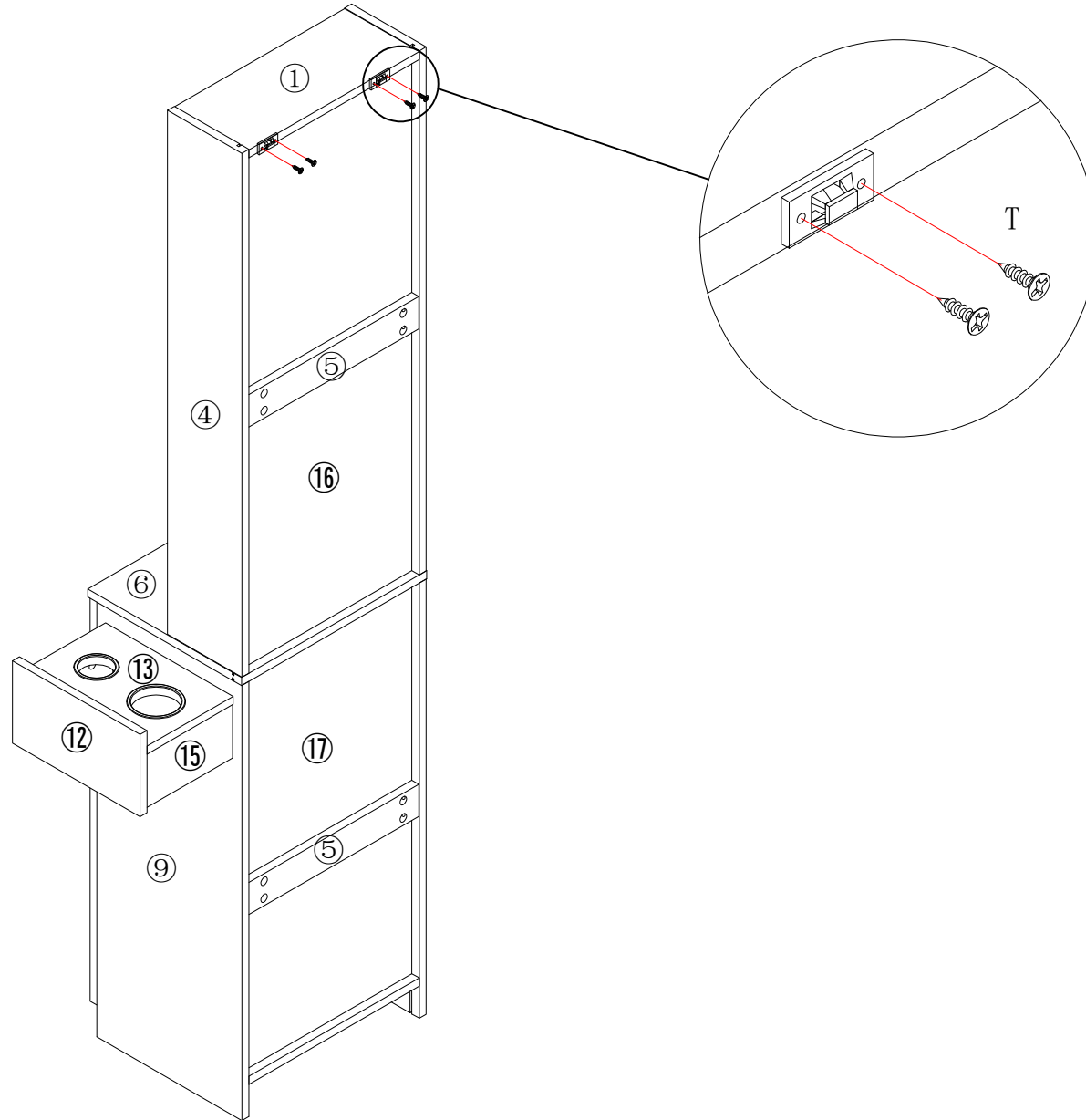


M*8

12

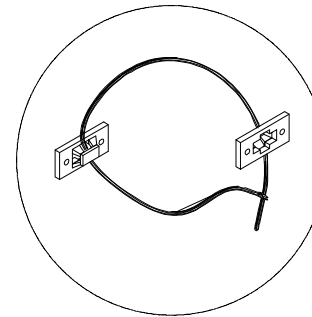
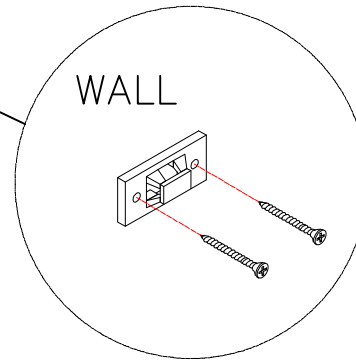
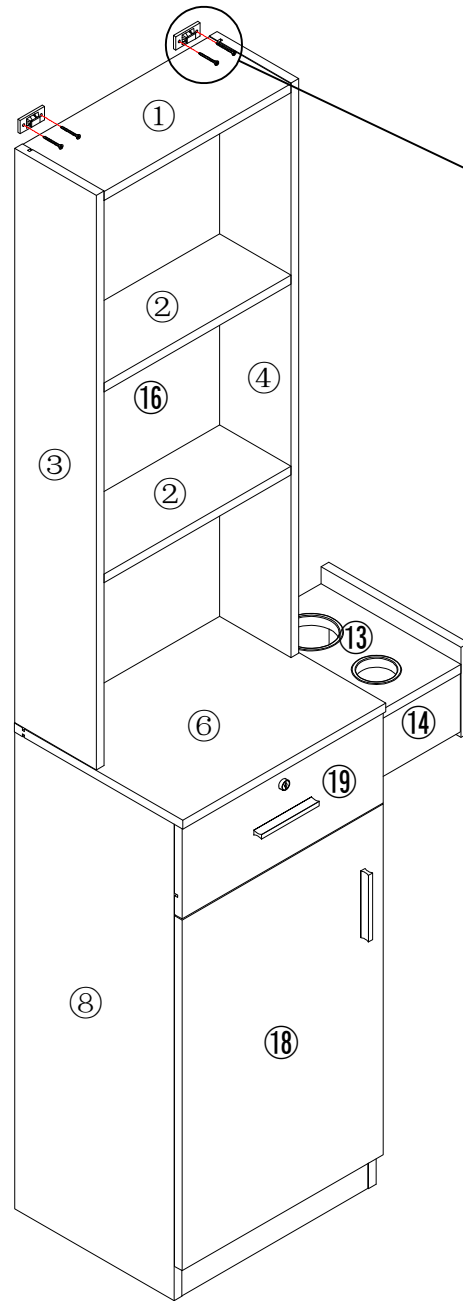


13

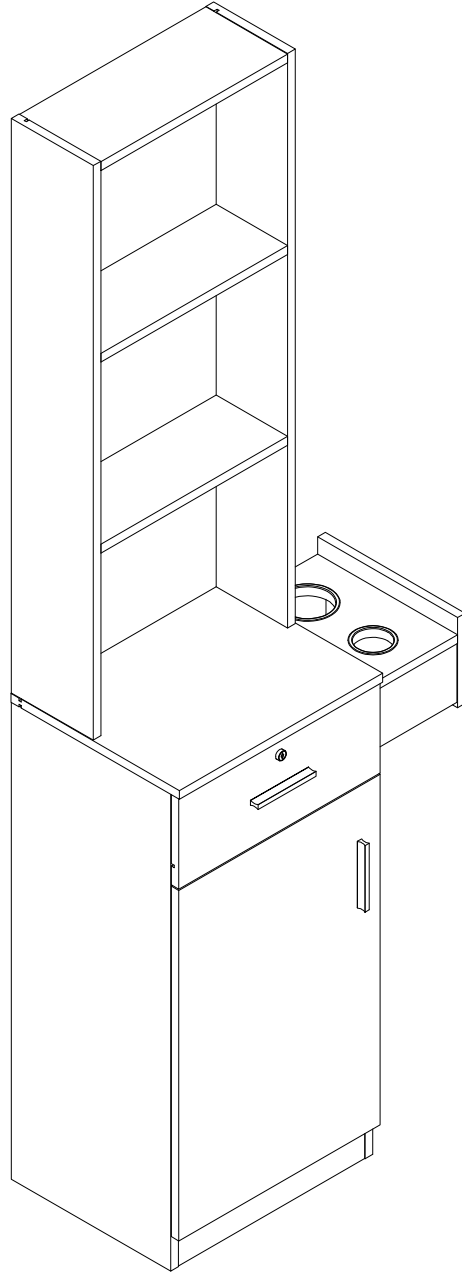


T*2

14



15



---END---