

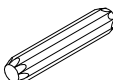

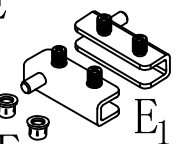
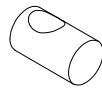

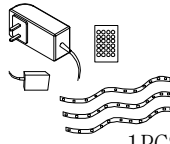
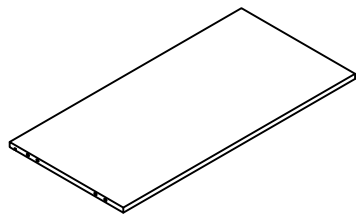


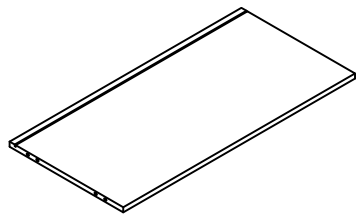
<p>A</p>  <p>16PCS</p>	<p>B</p>  <p>16PCS</p>	<p>C</p> <p>8*40</p>  <p>16PCS</p>	<p>D</p>  <p>6PCS</p>	<p>E</p>  <p>E<sub>1</sub> 3PCS E<sub>2</sub> 3PCS</p>	<p>F</p>  <p>6PCS</p>	<p>G</p> <p>4*9</p>  <p>6PCS</p>	<p>LED</p>  <p>1PCS</p>
---	---	---	--	--	--	---	--

1



765\*375 1PC

2



765\*375 1PC

3



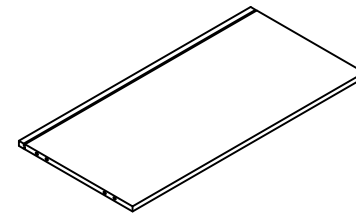
720\*375 1PC

4



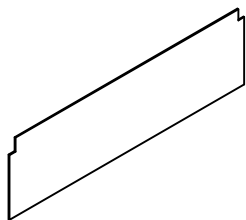
720\*375 1PC

5



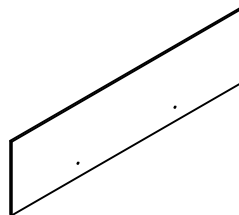
765\*375 2PC

6



775\*228 3PC

7



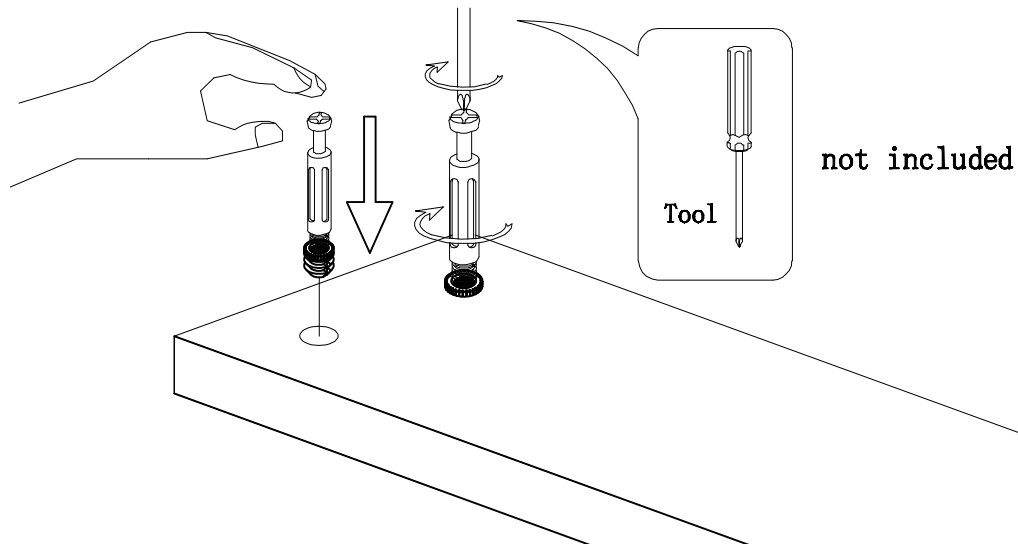
757\*213 3PC



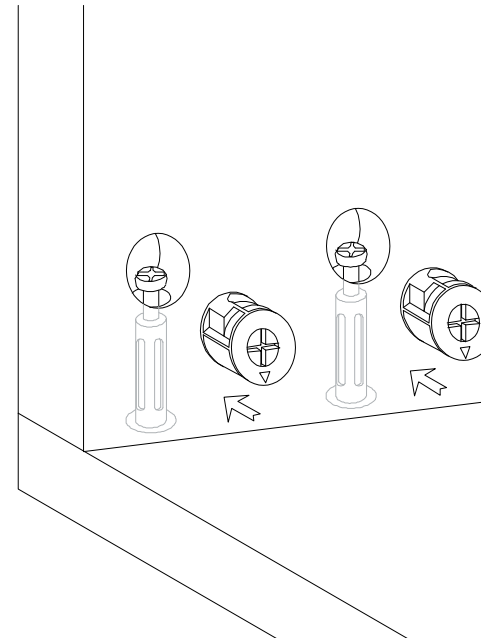
## Hardware installation demonstration

NOTE: Please make sure "A" hardware tightened and can't be pulled out!

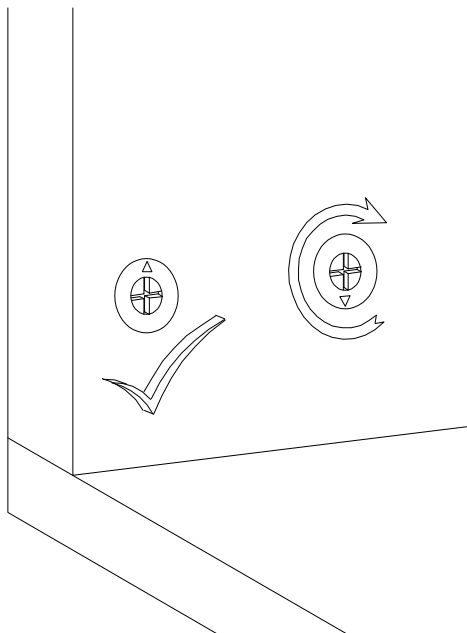
I



II



III

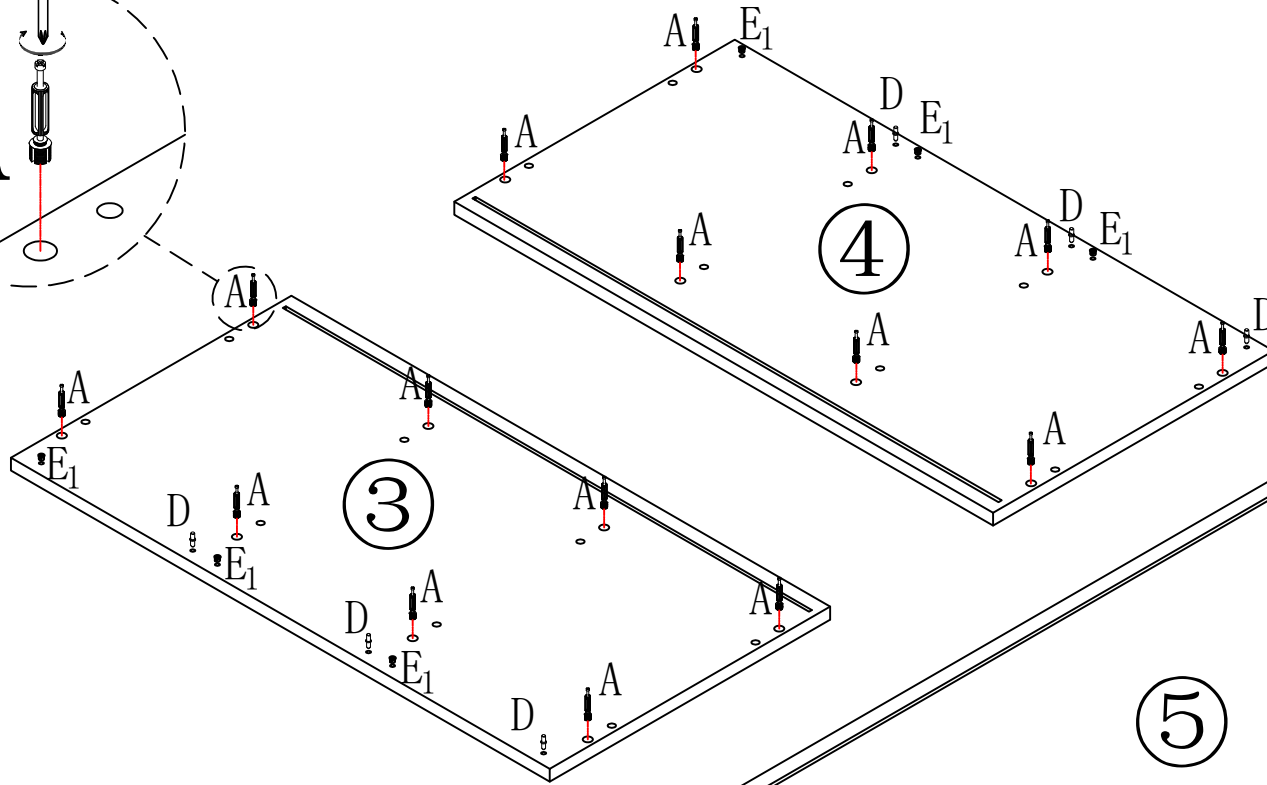
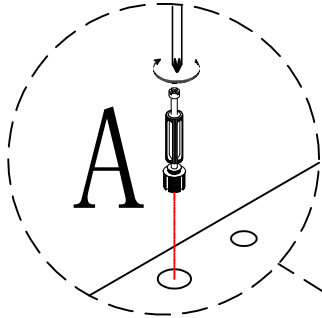


IV



Scan QR code for assembly video

①

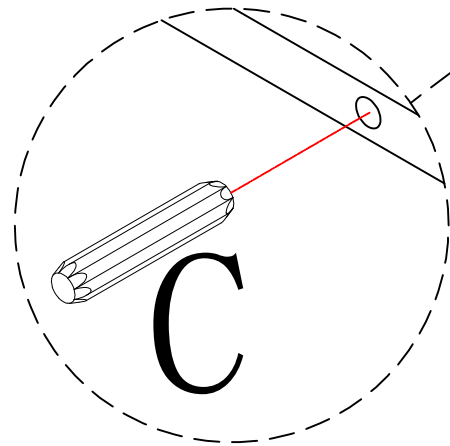



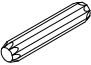
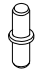

④

③

⑤

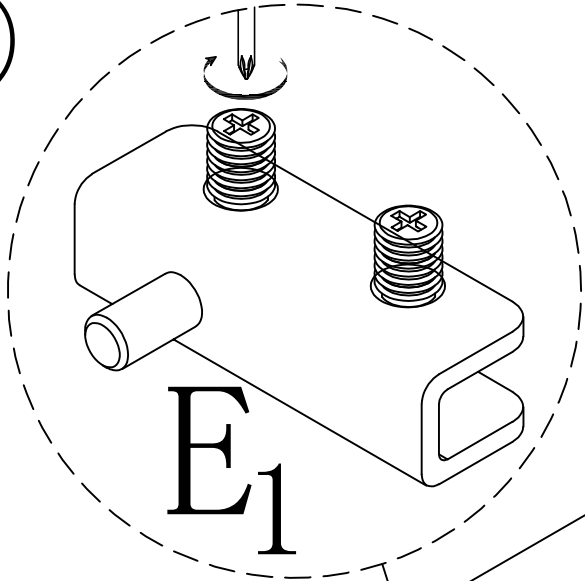
X2



	A*16
	C*8
	D*6
	E <sub>1</sub> *3

put A on board ③ ④  
 put C on board ⑤

2



E<sub>1</sub>

X3

7

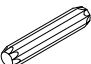
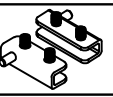
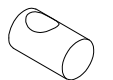



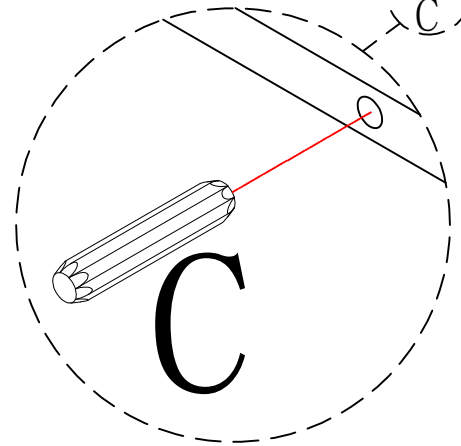
G  
F

G  
F

1

2

	C*8
	E <sub>1</sub> *3
	F*6
	G*6



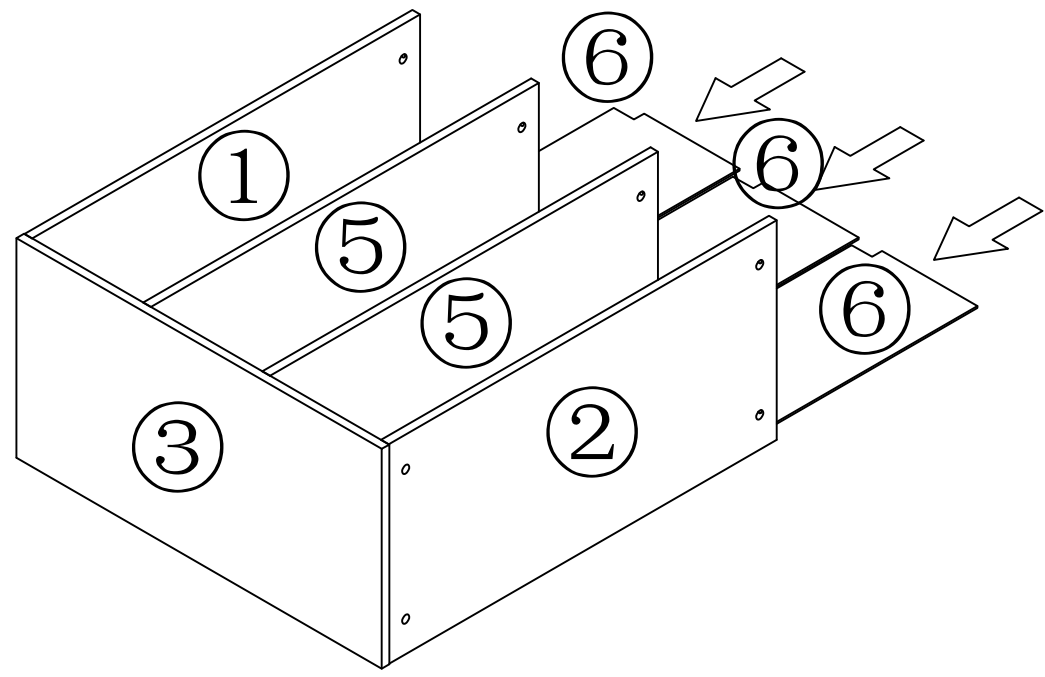
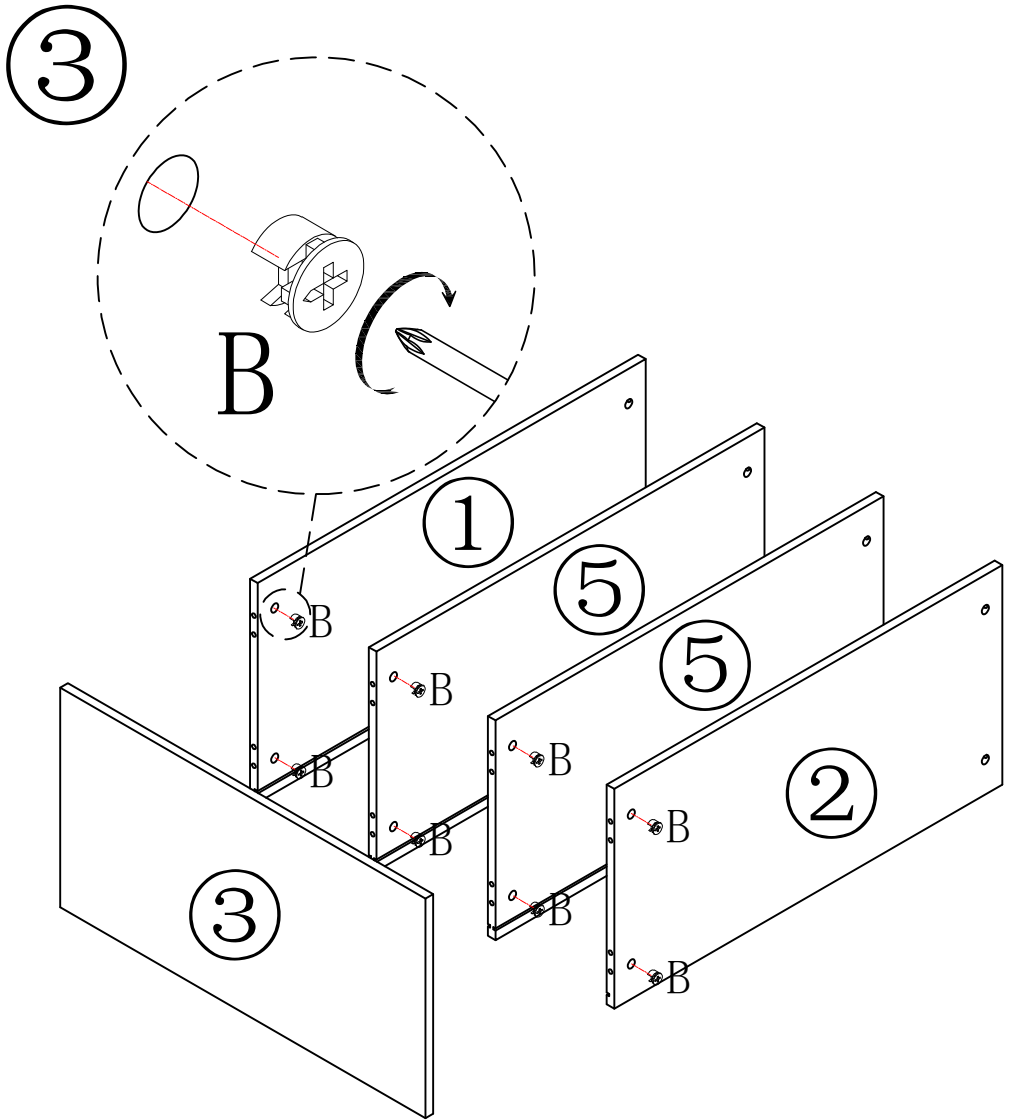
C

C

C


C

put C on board ① ②

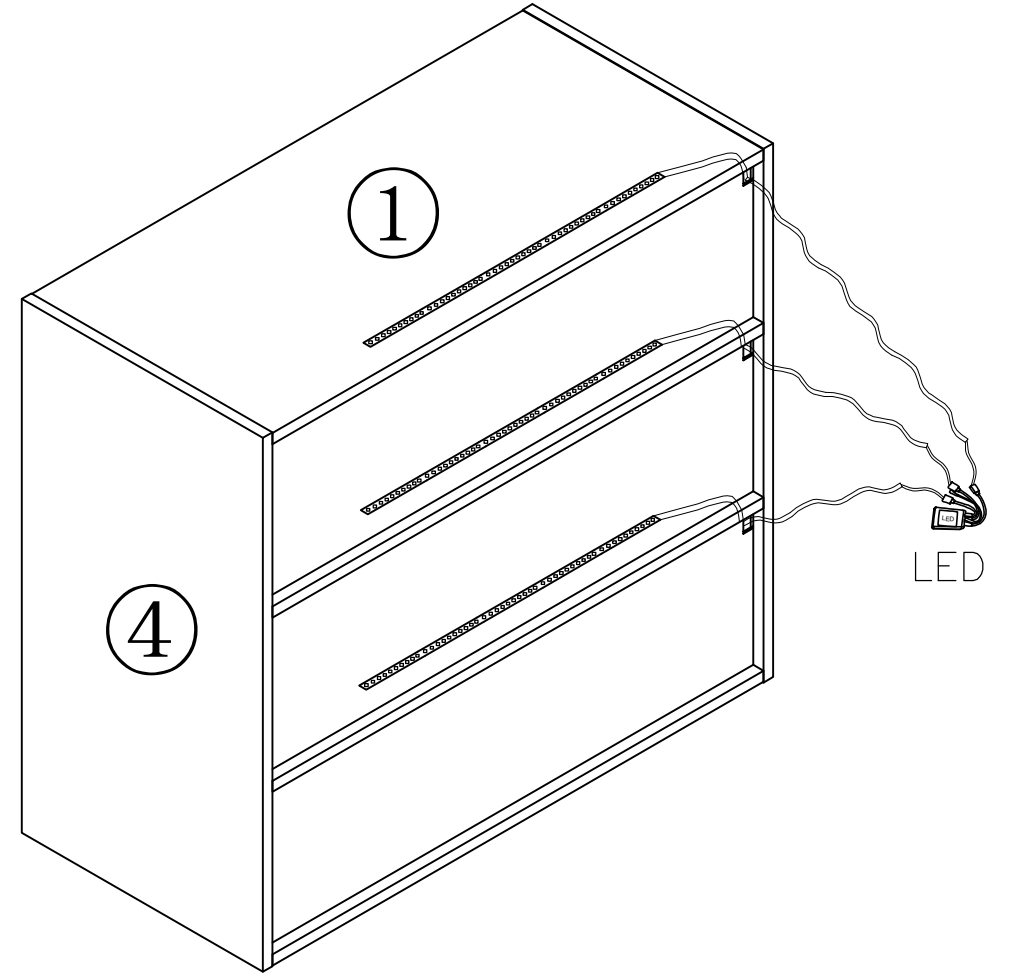
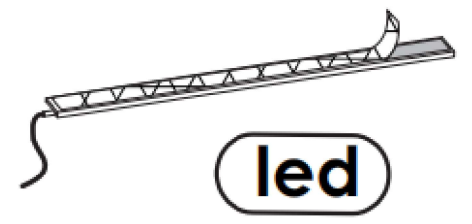
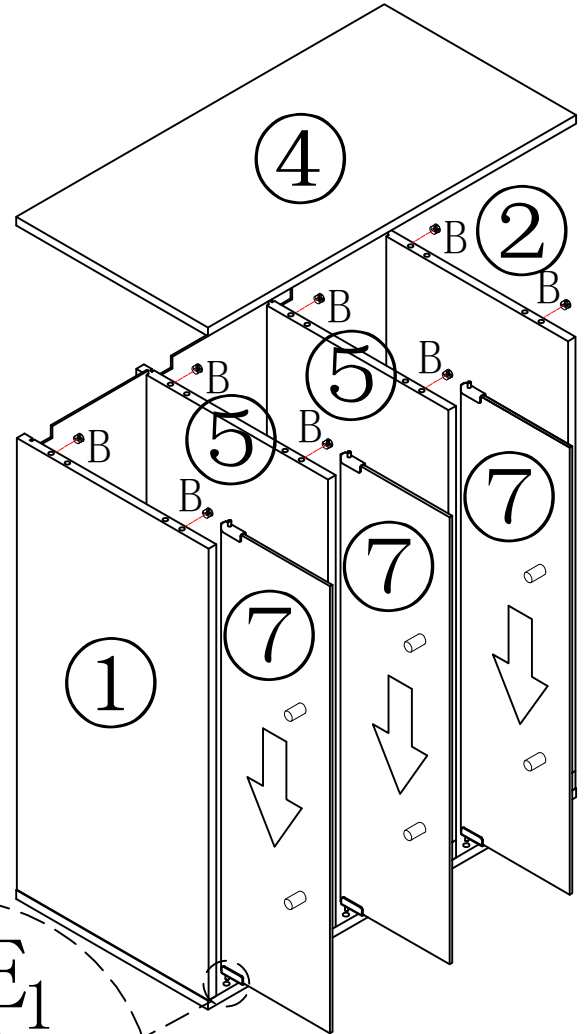


Make sure the arrow on the screw align to the hole on the side.

put B on board ① ② ⑤

	<p>B*8</p>
---	------------

4



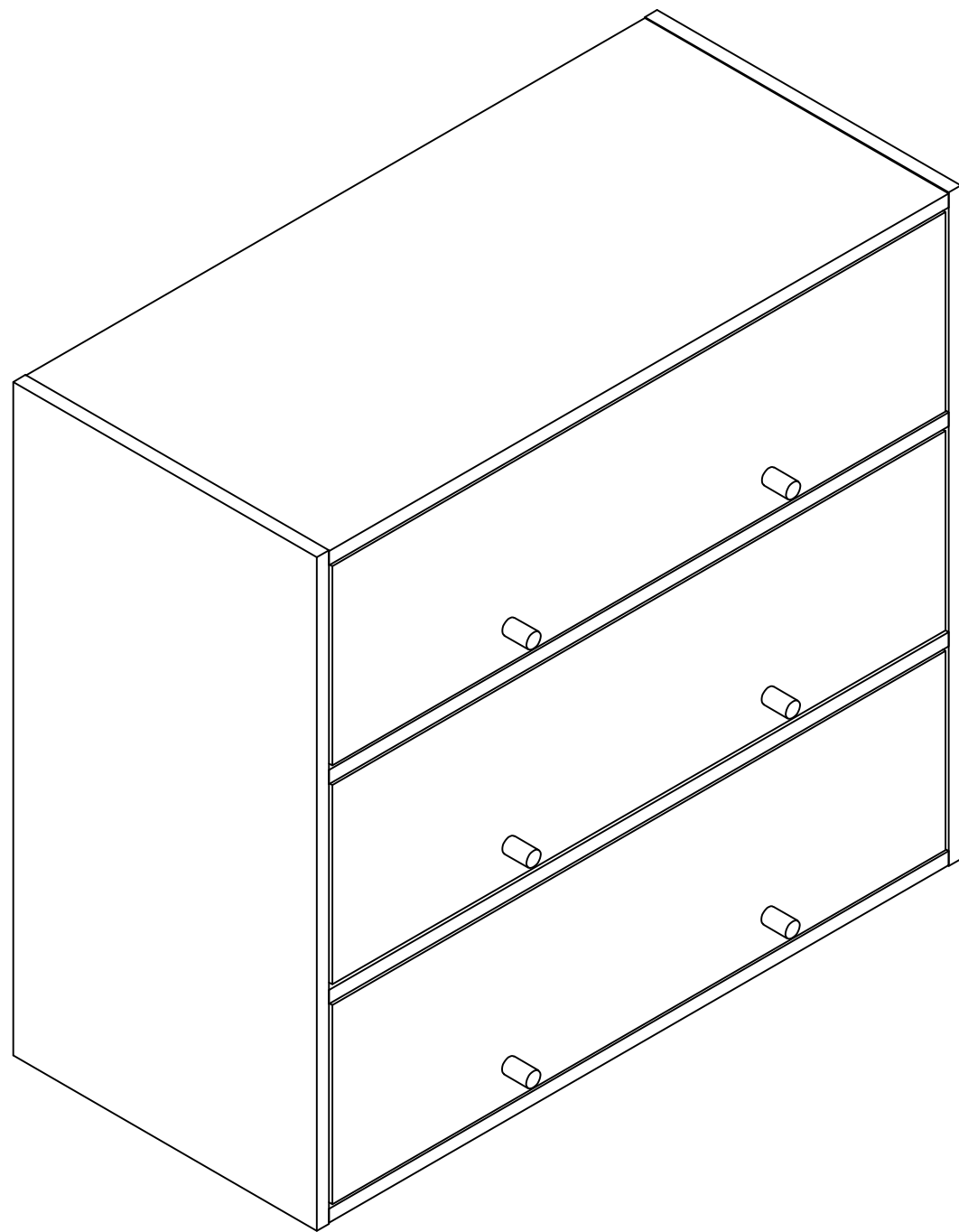
Make sure the arrow on the screw align to the hole on the side.

put B on board ① ② ⑤



B\*8





END