



## **WARNING!**

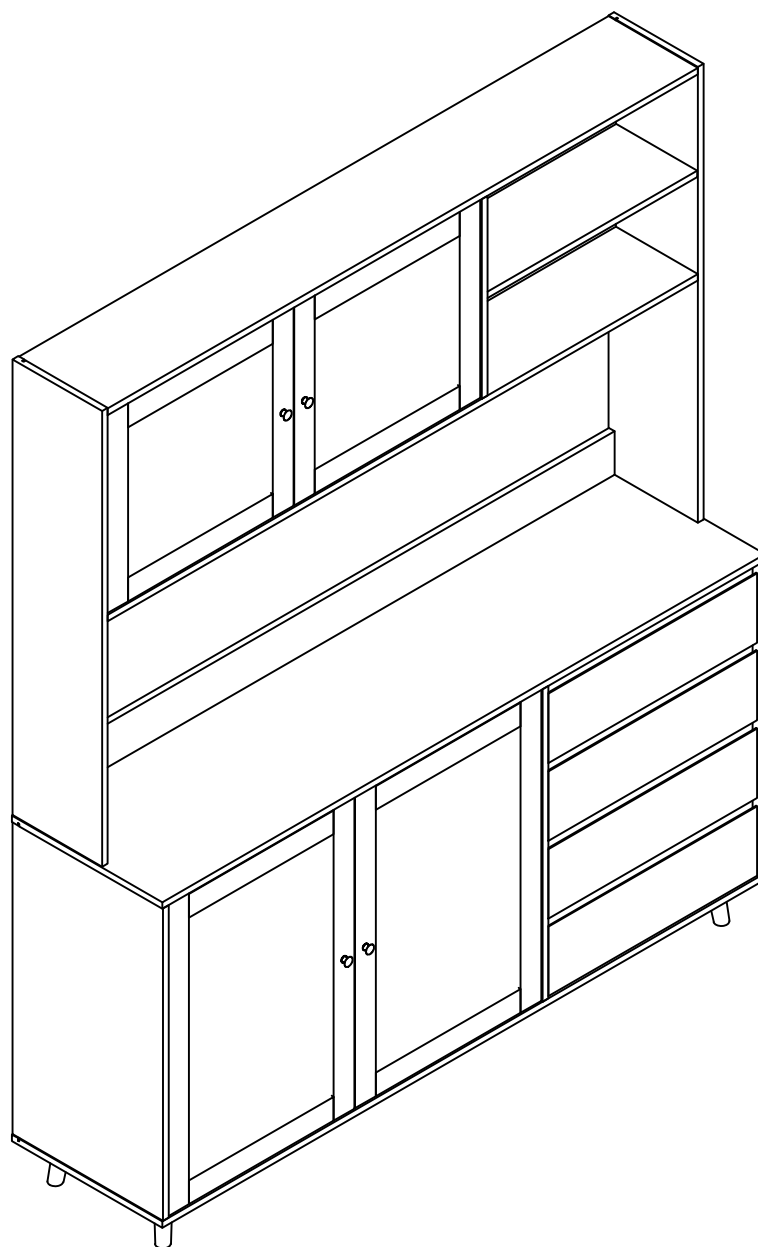
Children have died from furniture tipover. Fixed wall device have been included with this product;you must install the fixed wall device according to these instructions in order to minimize the risk of furniture.If you have any questions about this product or the Fixed wall device , please contact us immediately.

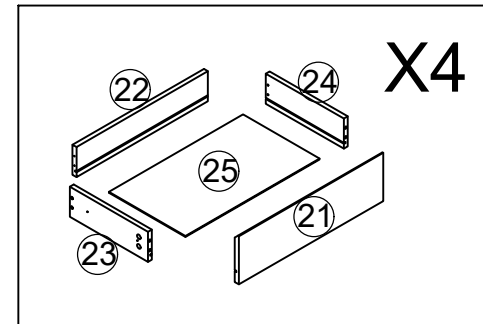
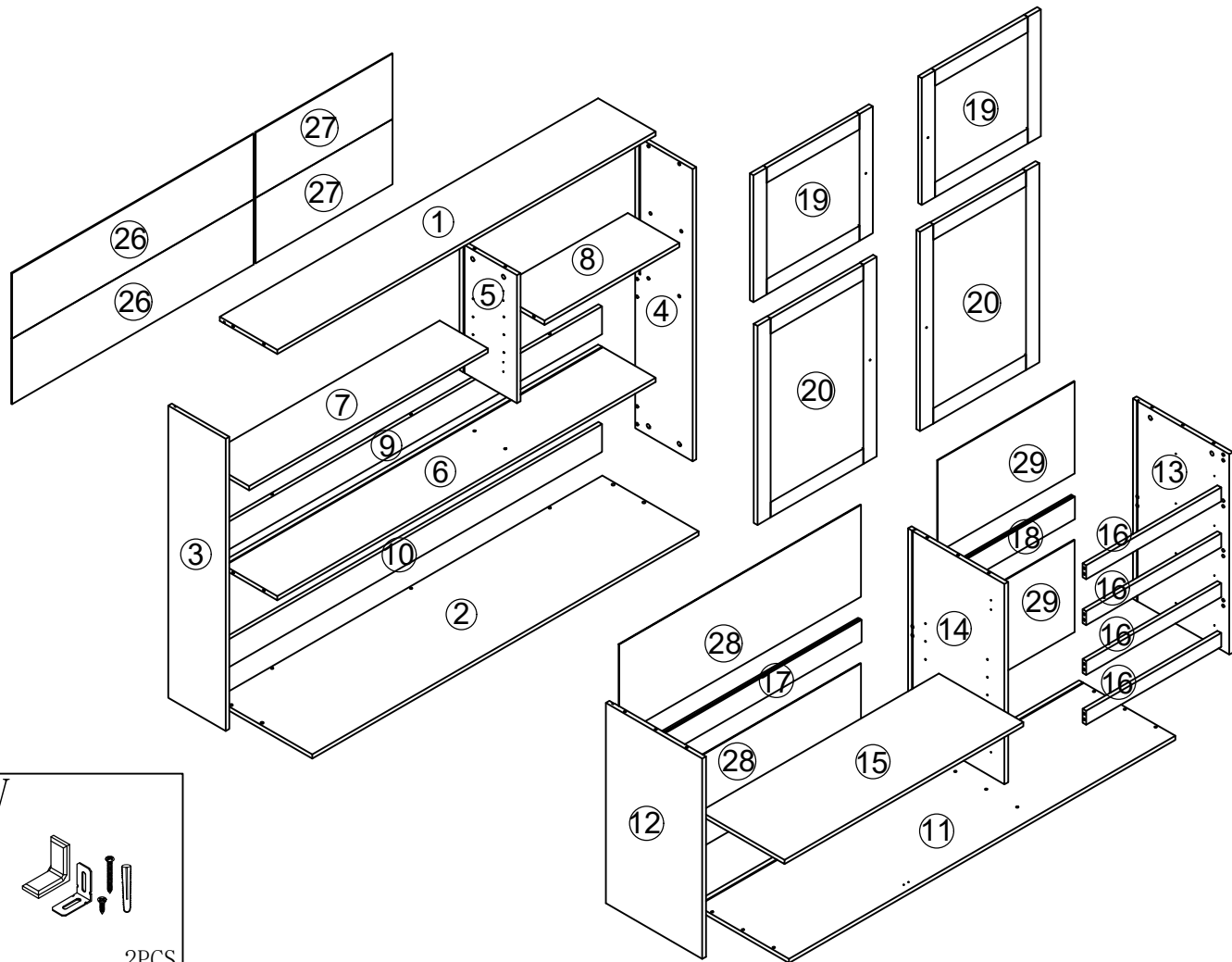
Never allow children to climb or hang on furniture,including drawers or cabiner doors.




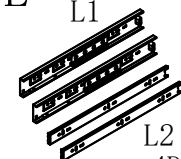



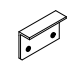




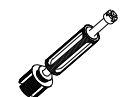

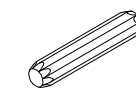

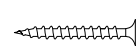

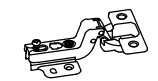
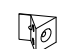


In addition to installing the restrains,to help prevent tip-over.

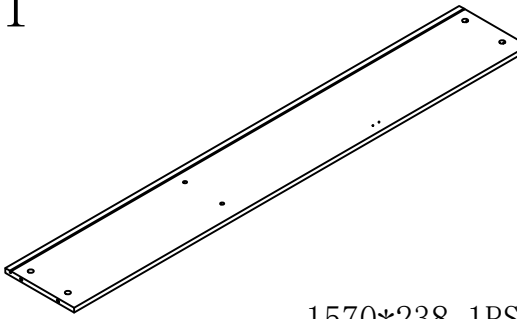
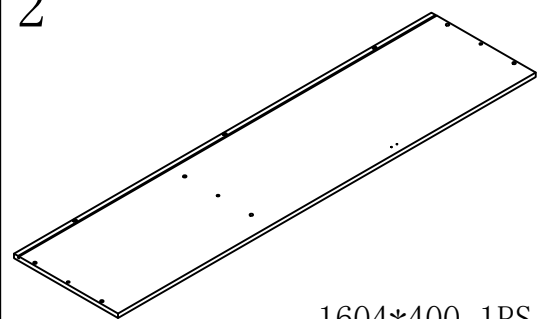
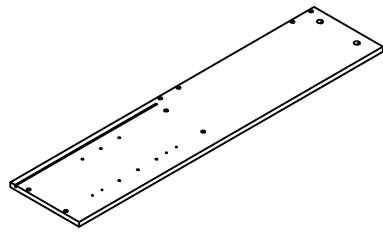
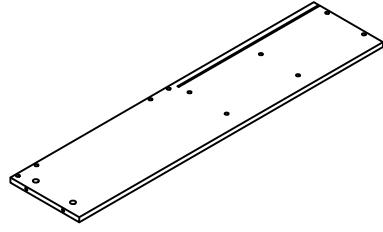
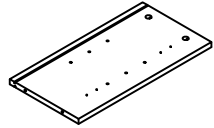
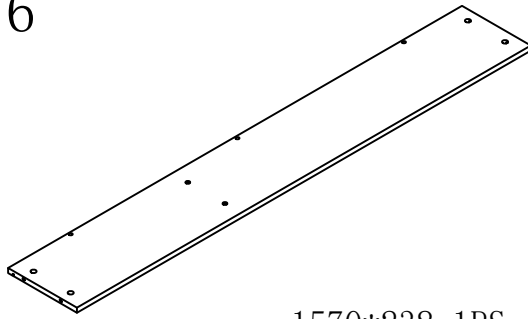
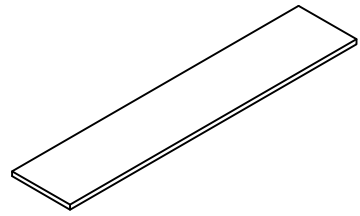
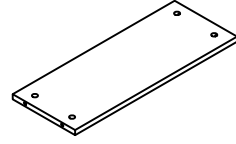
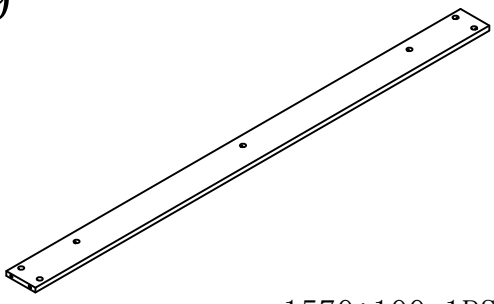
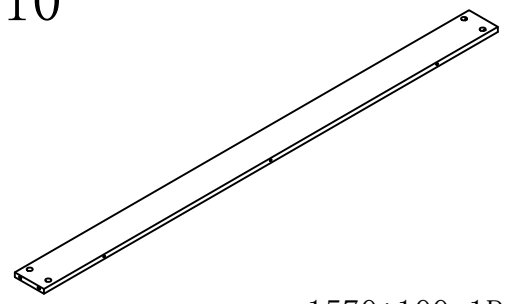
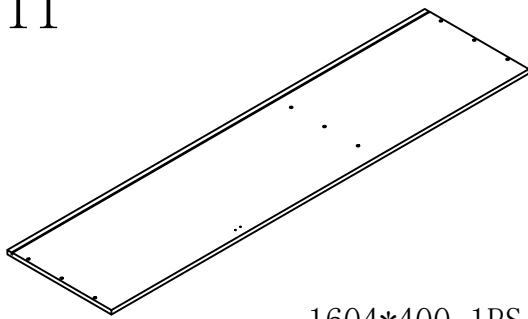
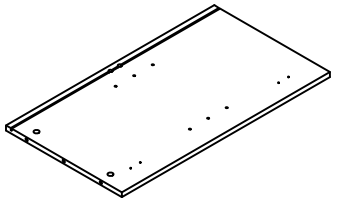
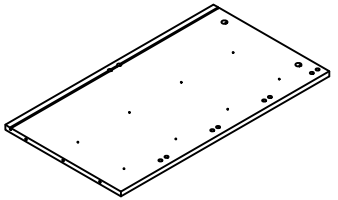
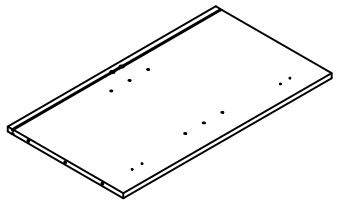
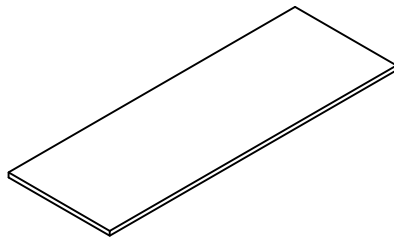
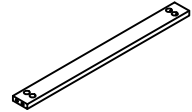
1. Never put a TV or other heavy objects on top of this product.
2. Do not stand on the product.

<b>! WARNING</b>	
	<b>Children have died from furniture tipover. To reduce the risk of furniture tipover:</b> <ul style="list-style-type: none"><li>• ALWAYS install tipover restraint provided.</li><li>• NEVER put a TV on this product.</li><li>• NEVER allow children to stand, climb or hang on drawers, doors, or shelves.</li><li>• NEVER open more than one drawer at a time.</li><li>• Place heaviest items in the lowest drawers.</li><li>• Do not defeat or remove the drawer interlock system.</li></ul> <p><i>This is a permanent label. Do not remove!</i></p>
	

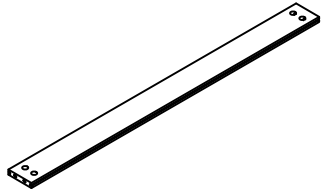




<p>U</p>  <p>3PCS</p>	<p>V</p>  <p>2PCS</p>										
<p>K</p> <p>4*20</p>  <p>4PCS</p>	<p>L</p> <p>L1 300mm</p> <p>L2 4PCS</p>  <p>4PCS</p>	<p>M</p> <p>993mm</p>  <p>1PCS</p>	<p>N</p> <p>556mm</p>  <p>1PCS</p>	<p>O</p>  <p>8PCS</p>	<p>P</p>  <p>3PCS</p>	<p>Q</p>  <p>4PCS</p>	<p>R</p>  <p>2PCS</p>	<p>S</p>  <p>4PCS</p>	<p>T</p>  <p>2PCS</p>		
<p>A</p>  <p>74PCS</p>	<p>B</p>  <p>74PCS</p>	<p>C</p> <p>8*40</p>  <p>3PCS</p>	<p>D</p> <p>3.5*14</p>  <p>116PCS</p>	<p>E</p> <p>3.5*35</p>  <p>16PCS</p>	<p>F</p> <p>7*50</p>  <p>14PCS</p>	<p>G</p>  <p>8PCS</p>	<p>H</p>  <p>26PCS</p>	<p>I</p> <p>3*12</p>  <p>26PCS</p>	<p>J</p>  <p>4PCS</p>		

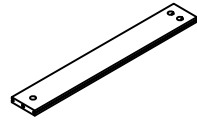
<p>1</p>  <p>1570*238 1PS</p>	<p>2</p>  <p>1604*400 1PS</p>	<p>3</p>  <p>1050*238 1PS</p>	<p>4</p>  <p>1050*238 1PS</p>
<p>5</p>  <p>460*238 1PS</p>	<p>6</p>  <p>1570*238 1PS</p>	<p>7</p>  <p>991*200 1PS</p>	<p>8</p>  <p>560*215 1PS</p>
<p>9</p>  <p>1570*100 1PS</p>	<p>10</p>  <p>1570*100 1PS</p>	<p>11</p>  <p>1604*400 1PS</p>	<p>12</p>  <p>720*400 1PS</p>
<p>13</p>  <p>720*400 1PS</p>	<p>14</p>  <p>720*400 1PS</p>	<p>15</p>  <p>991*350 1PS</p>	<p>16</p>  <p>560*50 4PS</p>

17



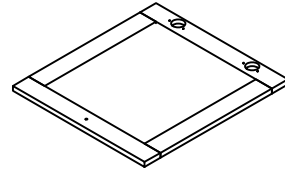
995\*80 1PS

18



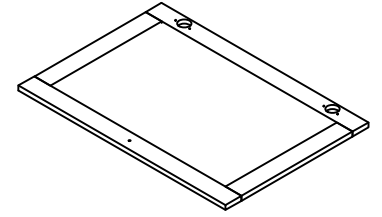
560\*80 1PS

19



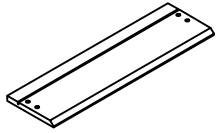
456\*495 2PS

20



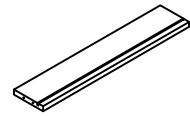
716\*495 2PS

21



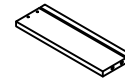
555\*160 4PS

22



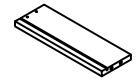
505\*100 4PS

23



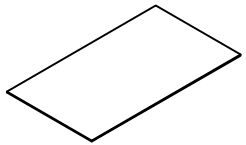
300\*100 4PS

24



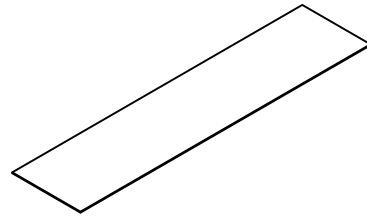
300\*100 4PS

25



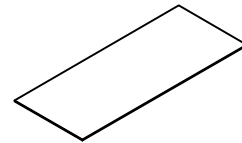
515\*294 4PS

26



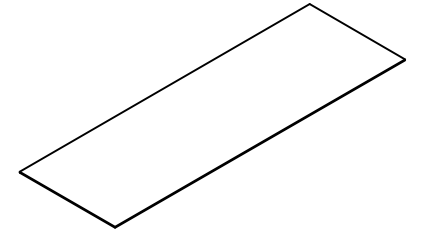
1003\*234 2PS

27



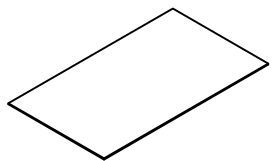
568\*234 2PS

28



1003\*330 2PS

29



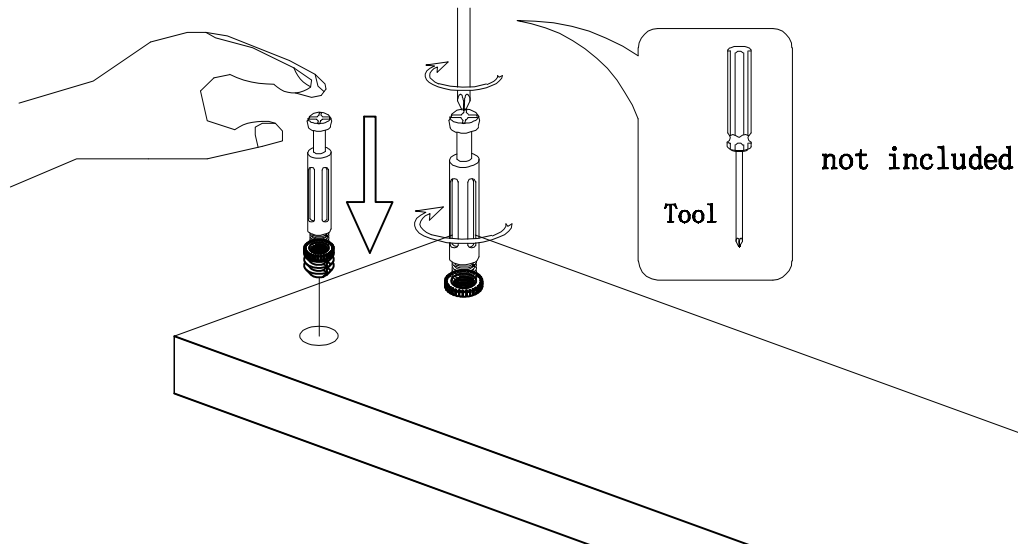
568\*330 2PS



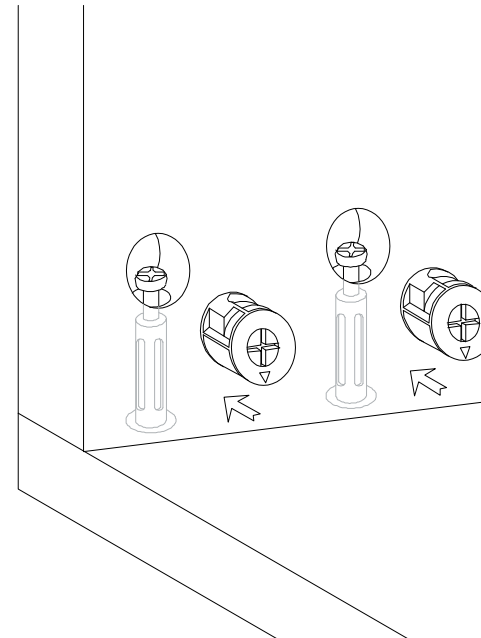
## Hardware installation demonstration

NOTE: Please make sure "A" hardware tightened and can't be pulled out!

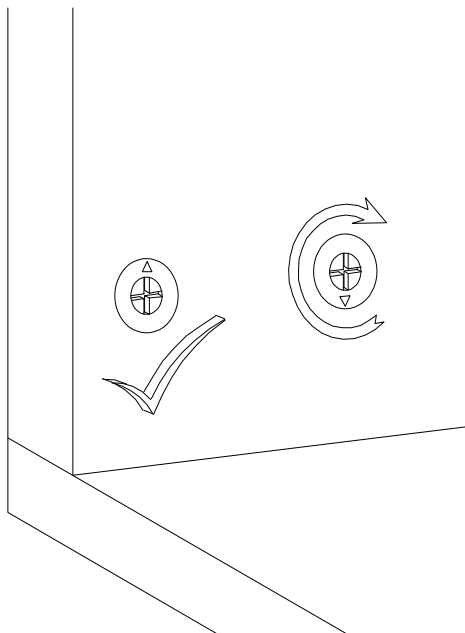
I



II



III

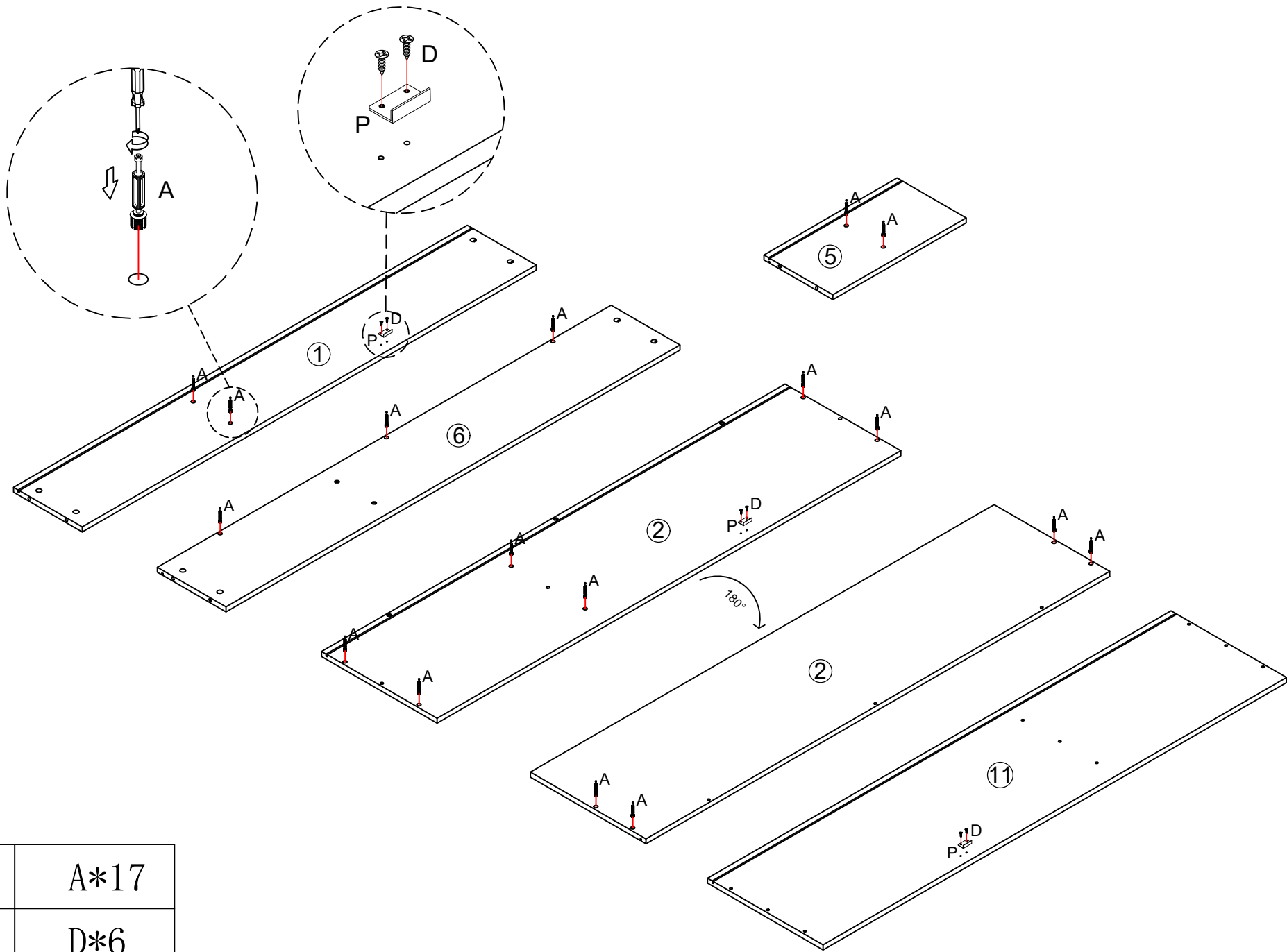





IV



Scan QR code for assembly video

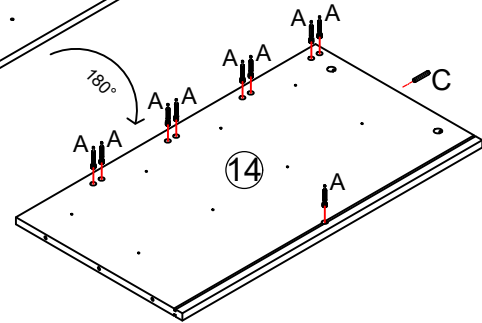
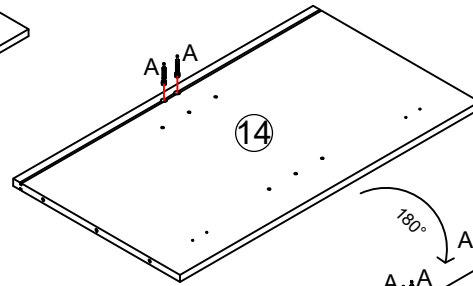
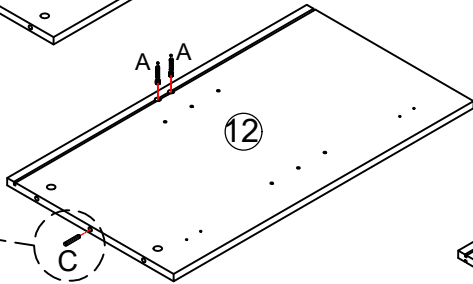
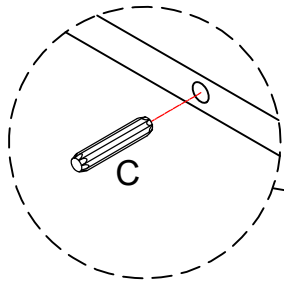
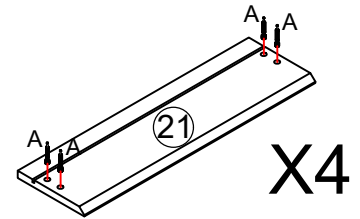
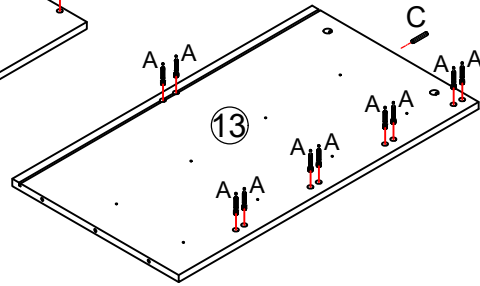
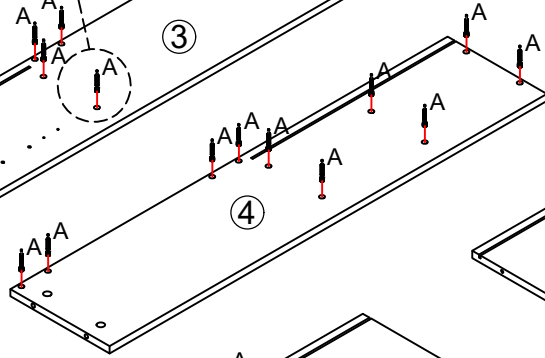
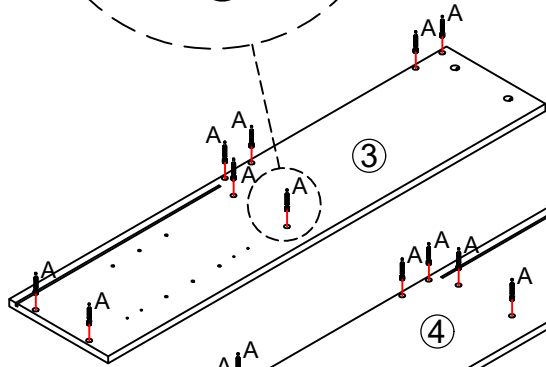
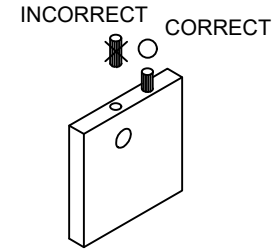
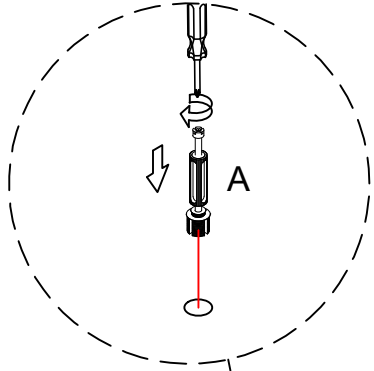
1


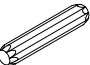


	A*17
	D*6
	P*3

put A on board ①②⑤⑥

2

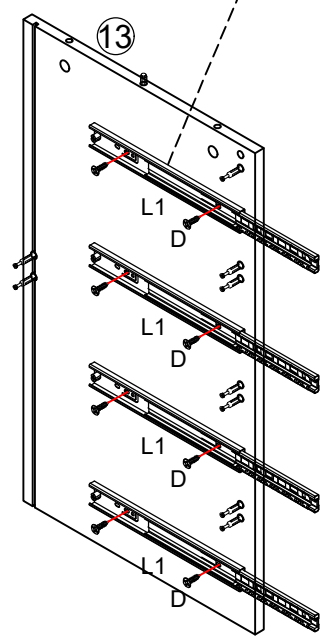
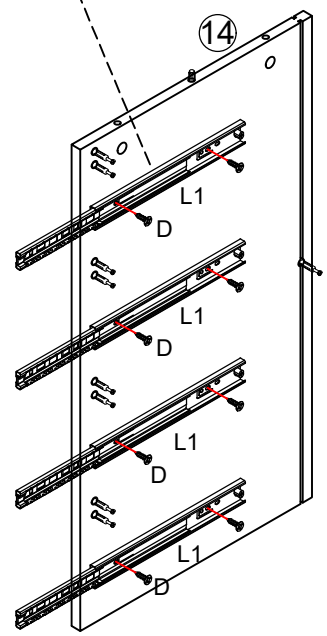
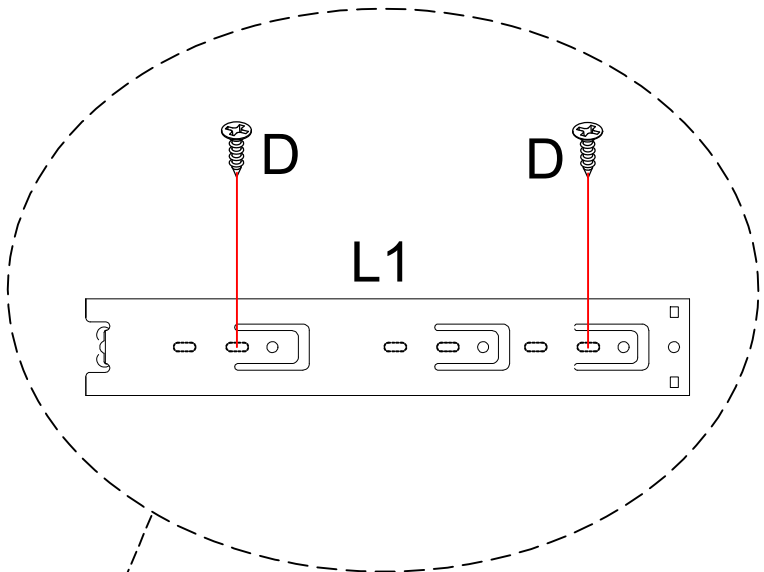
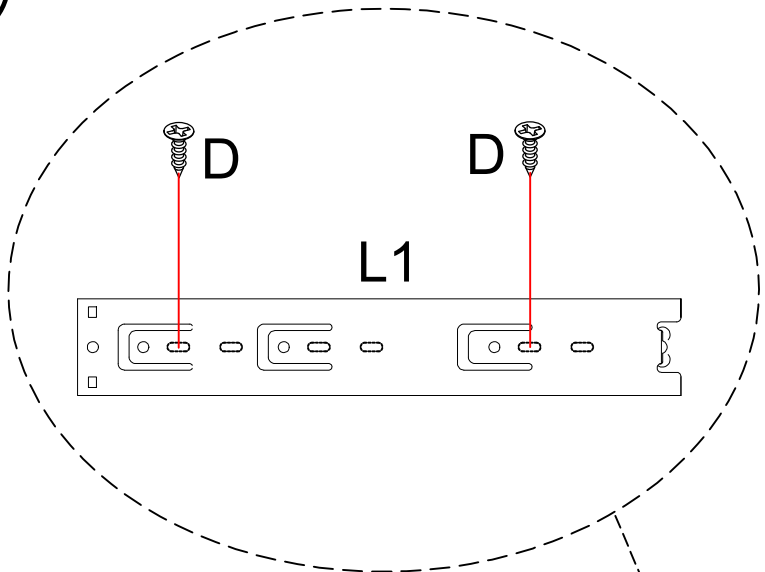



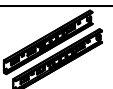
	A*57
	C*3

put A on board ③ ④ ⑫ ⑬ ⑭ ⑰  
 put C on board ⑫ ⑬ ⑭



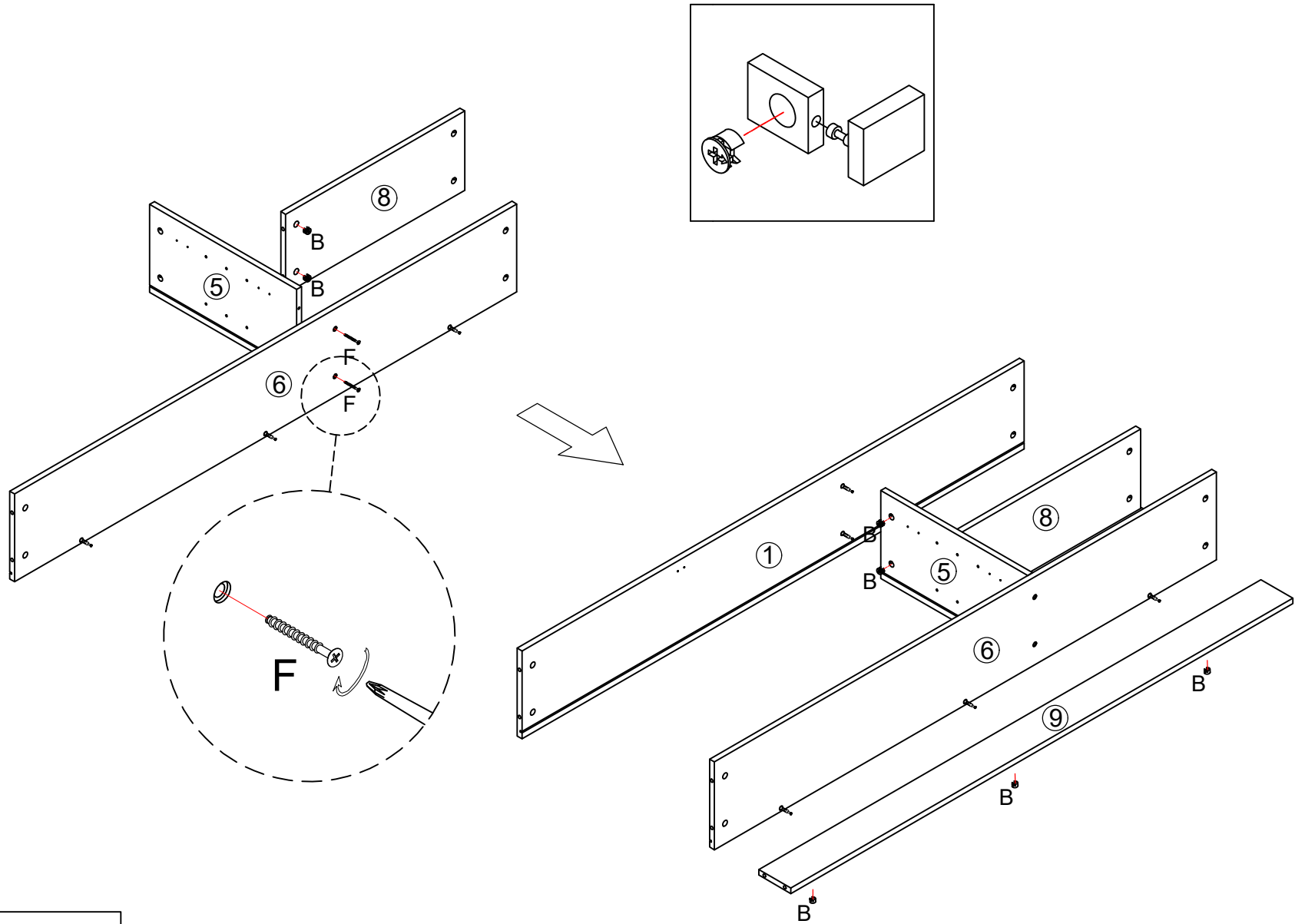
3



	D*16
	L1*4

4

Make sure the arrow on the screw align to the hole on the side.



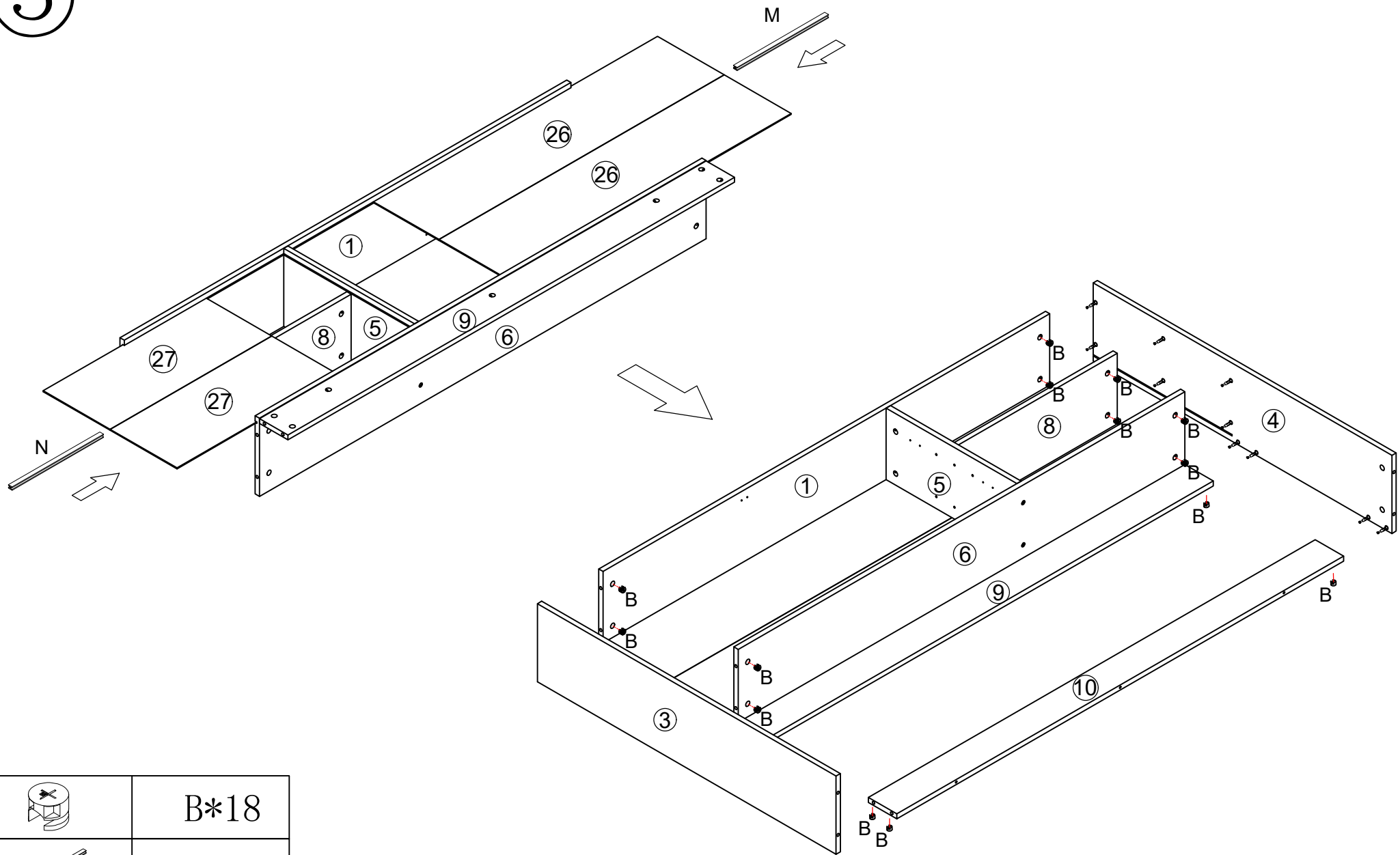
B\*7






F\*2

put B on board ⑤ ⑧ ⑨

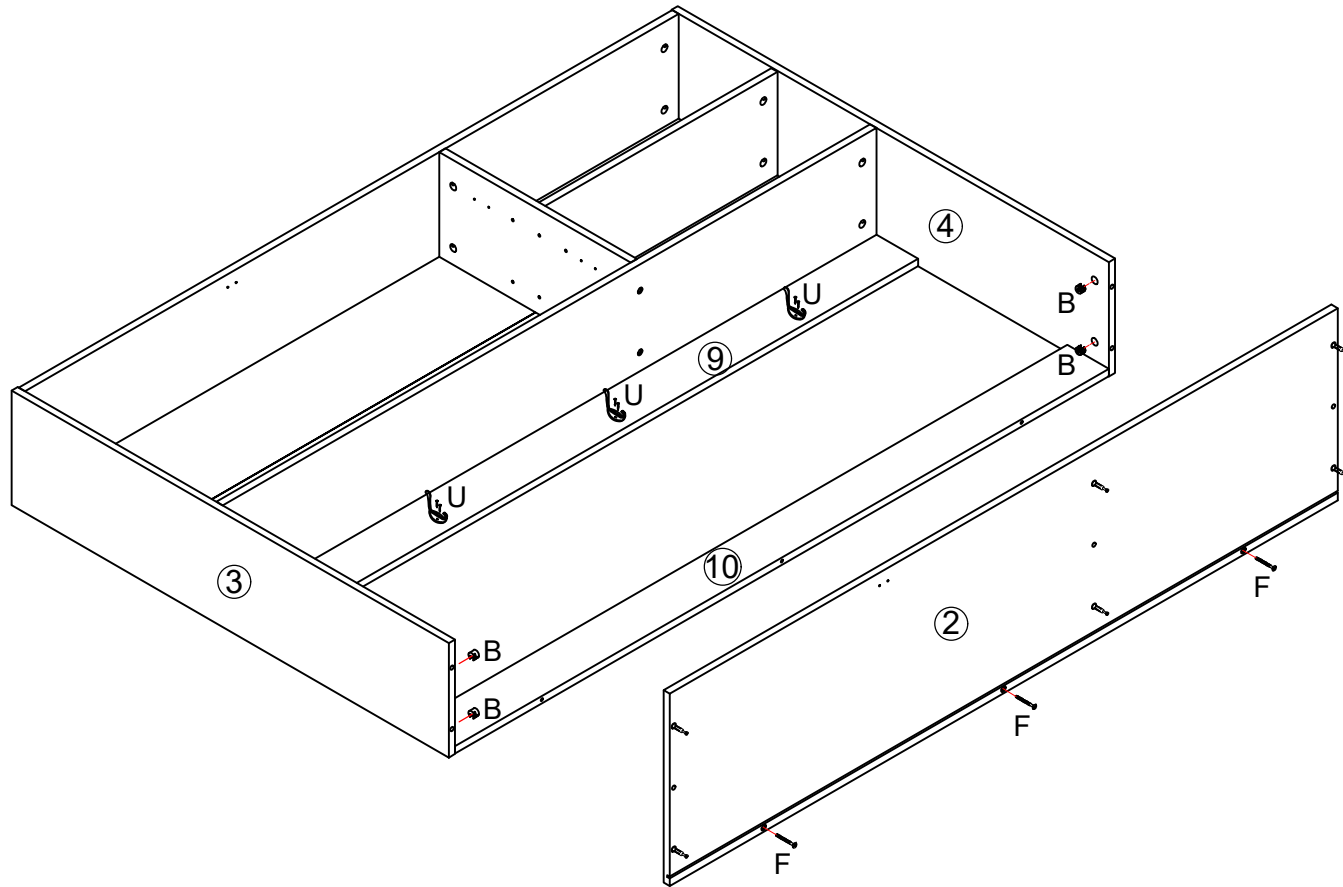
5



	B*18
	M*1
	N*1

put B on board ①⑥⑧⑨⑩

6



B\*4



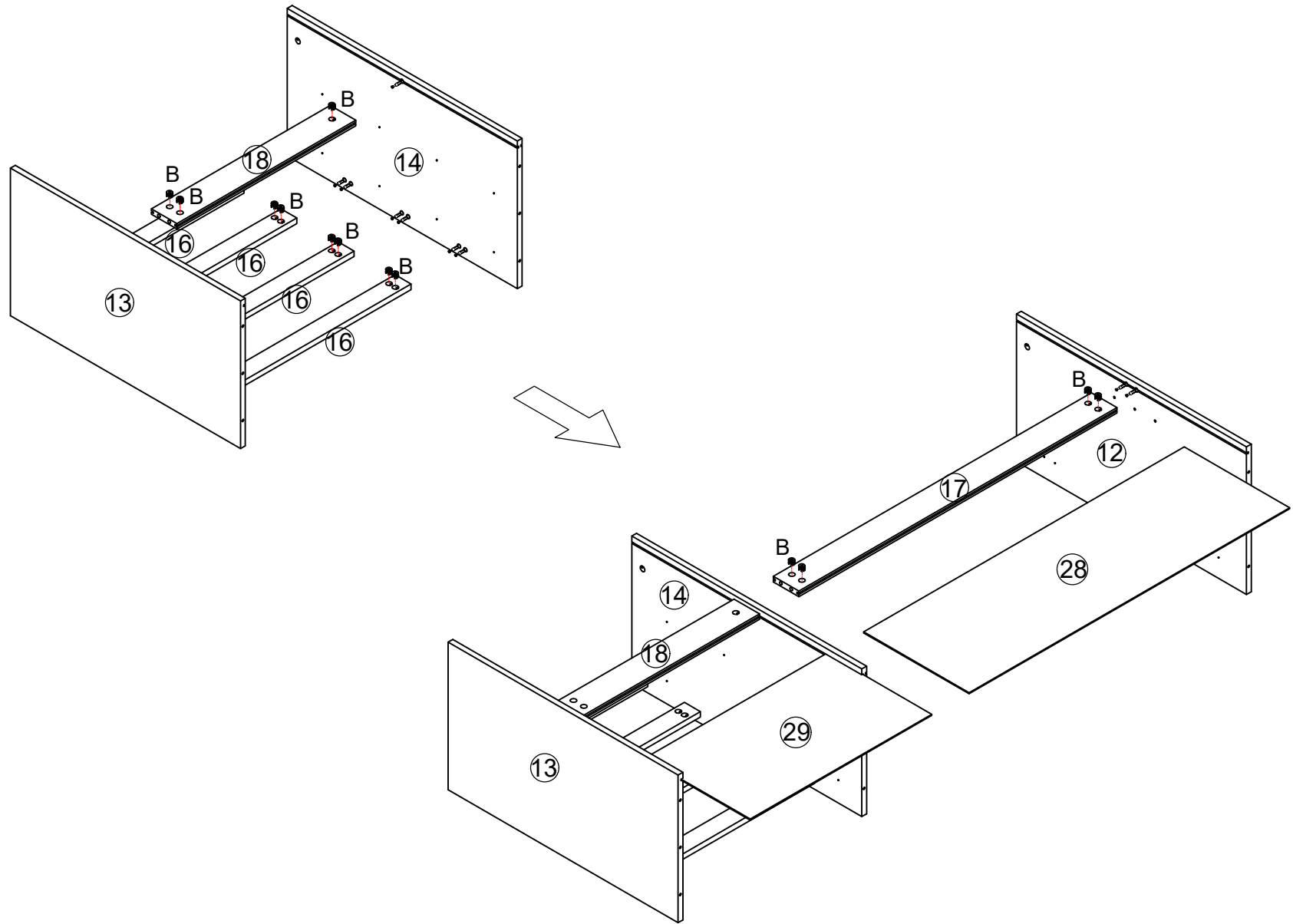
F\*3



U\*3

put B on board ③④

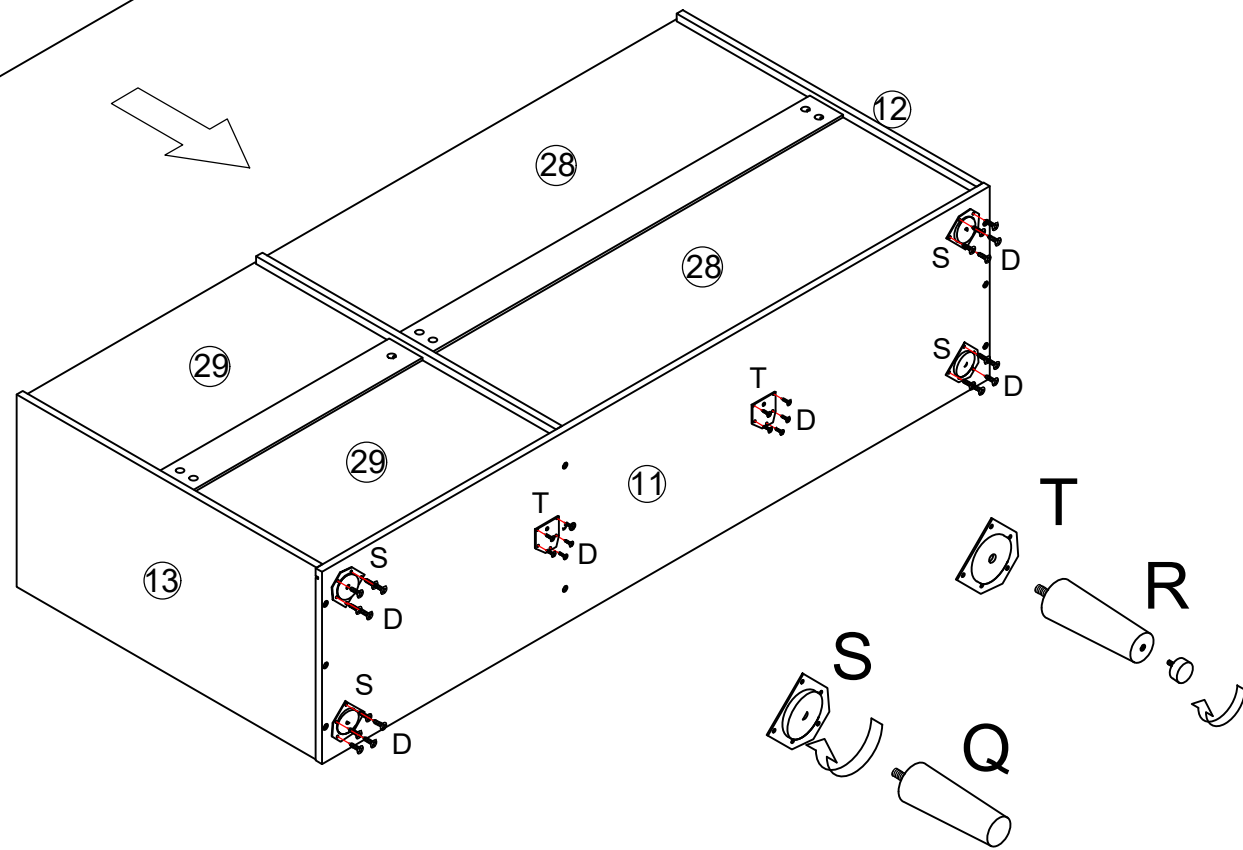
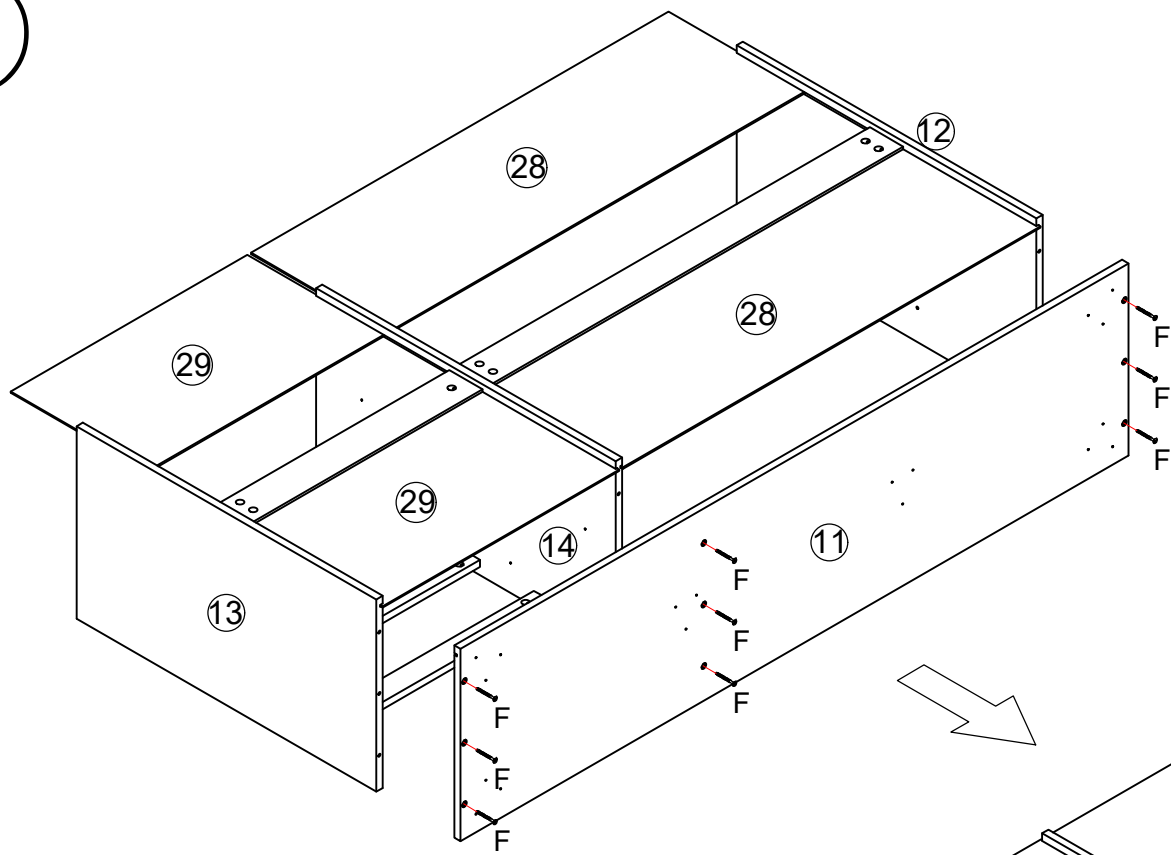
7









B\*23

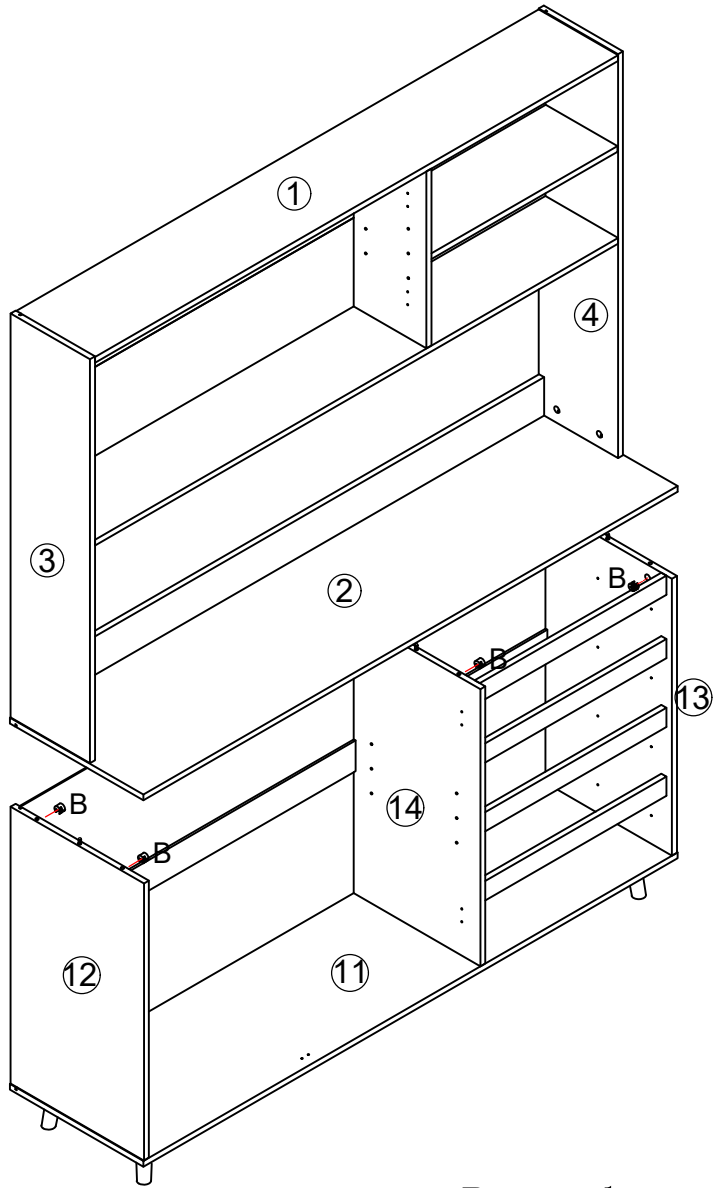
put B on board 16 17 18

8

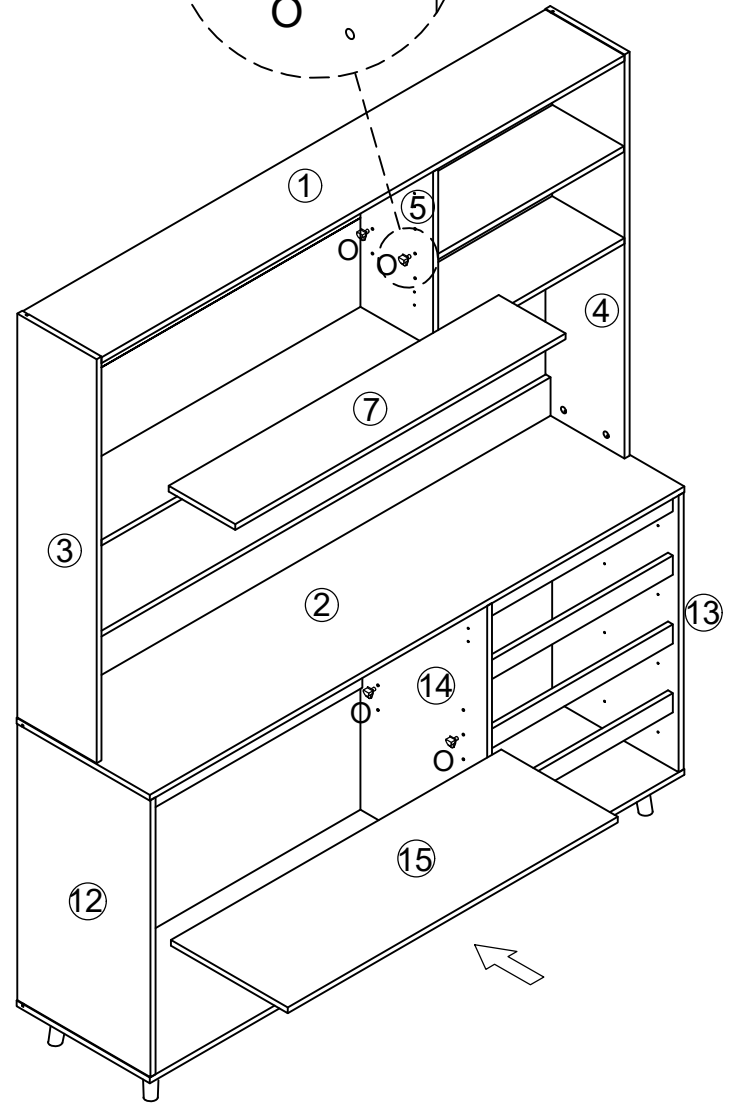
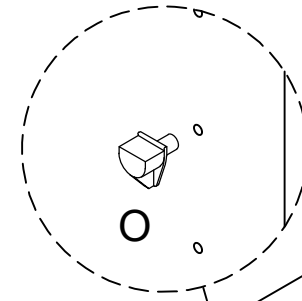
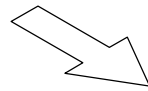


	D*30
	F*9
	Q*4
	R*2
	S*4
	T*2

9



put B on board ⑫ ⑬ ⑭

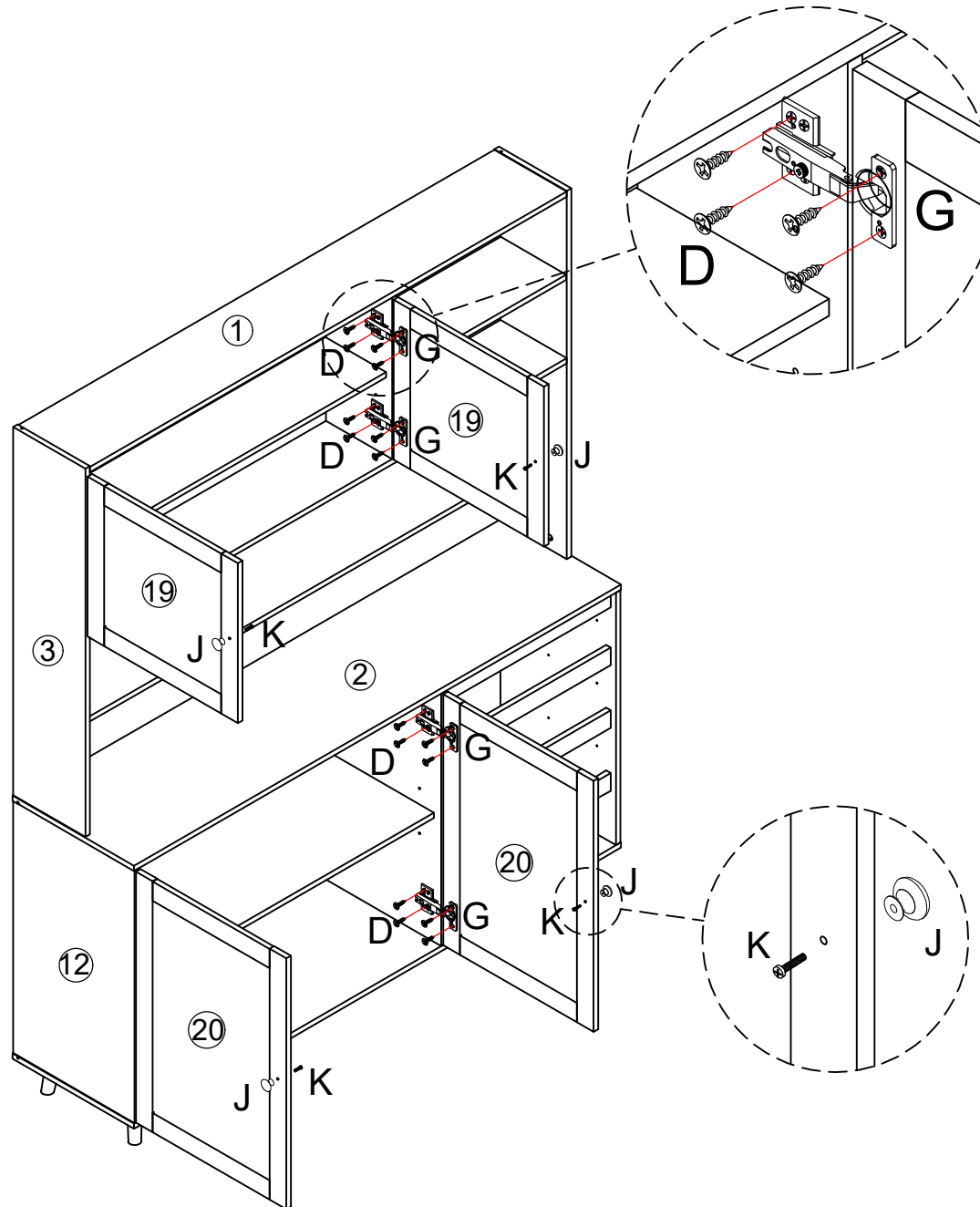



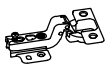


B\*6



O\*8

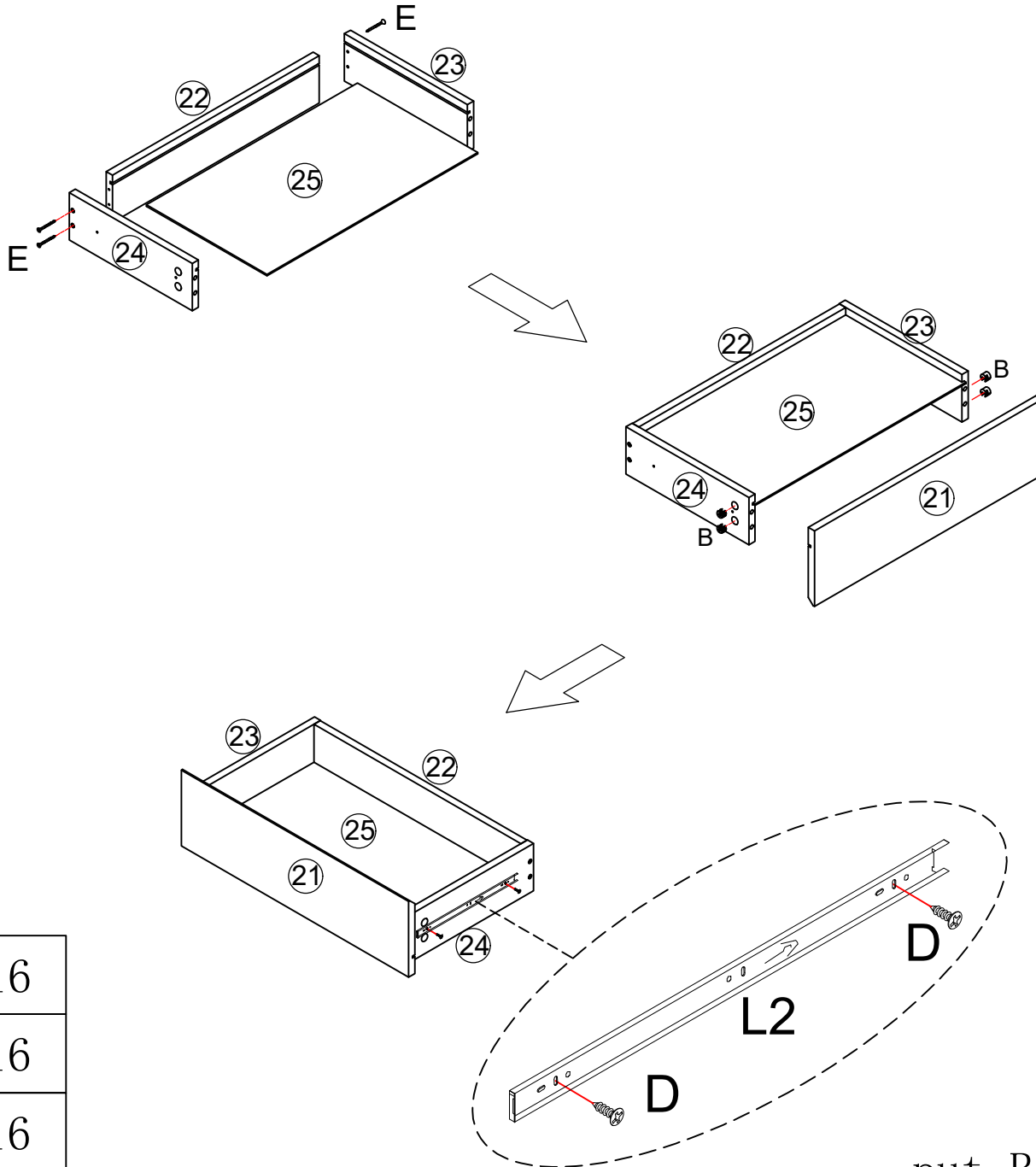
10





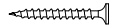

	D*48
	G*8
	J*4
	K*4



11

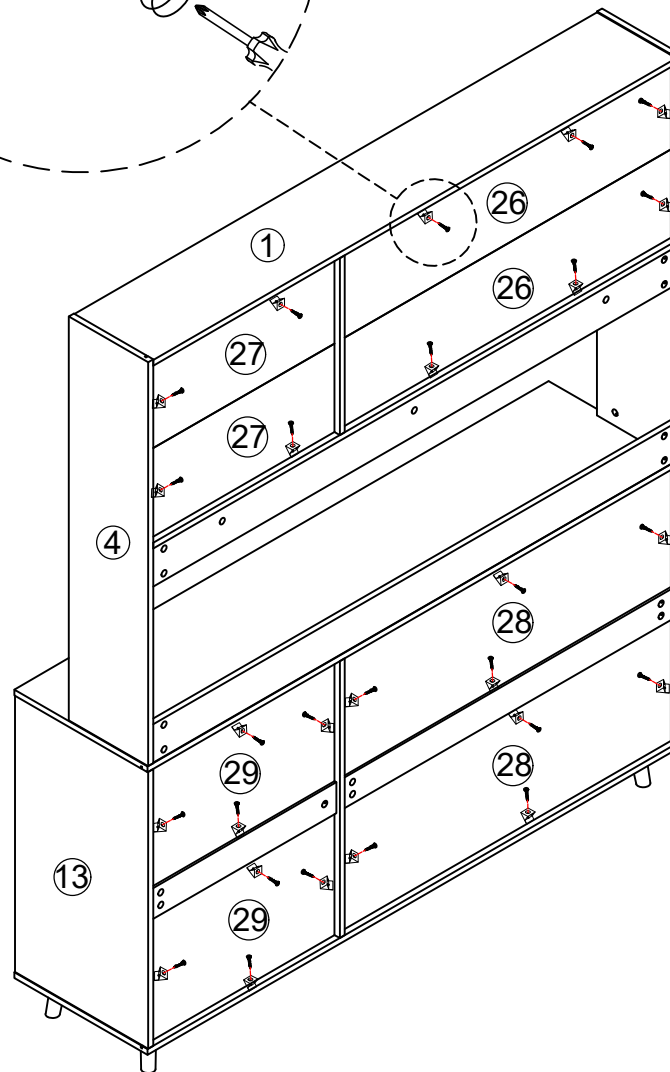
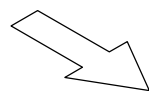
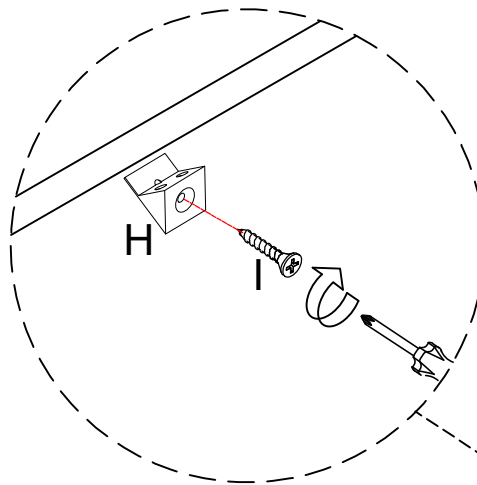
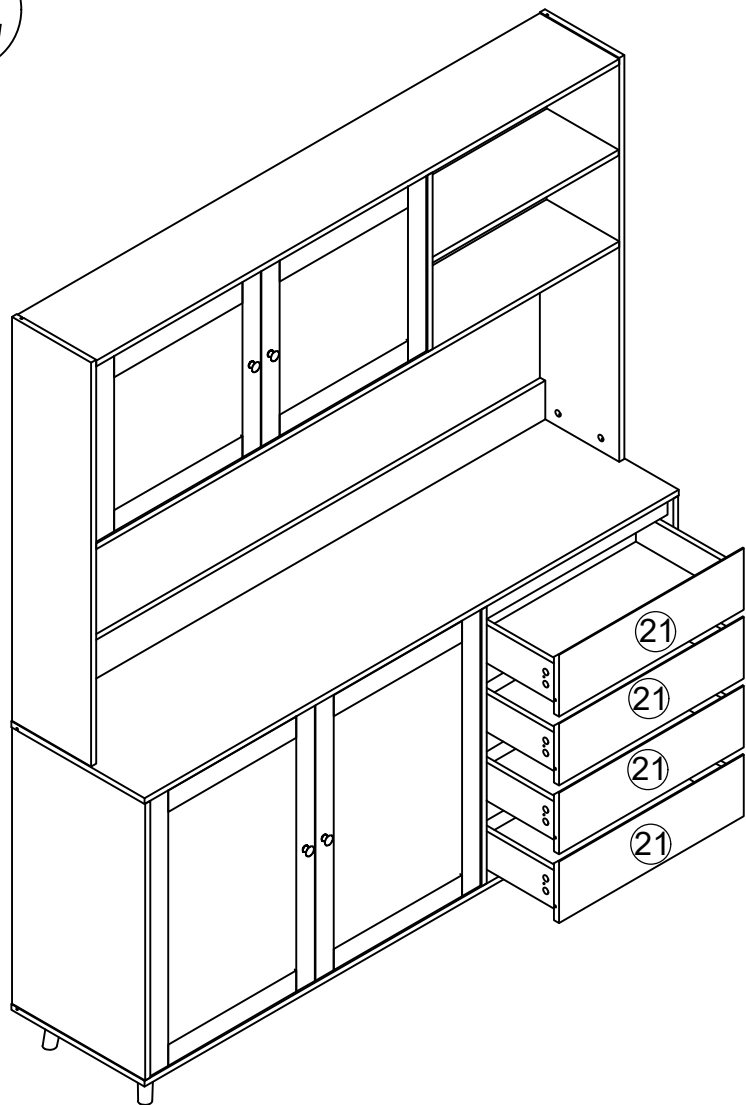


X4

	B*16
	D*16
	E*16
	L2*4

put B on board 23 24

12

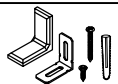
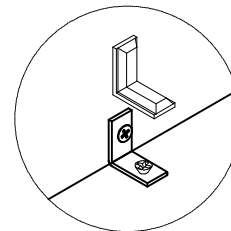
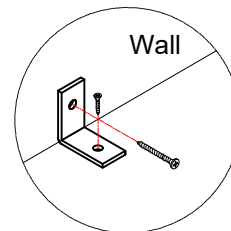
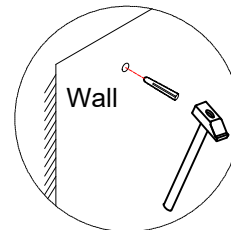
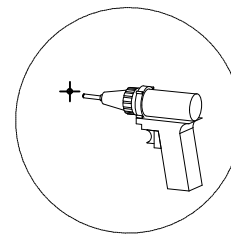
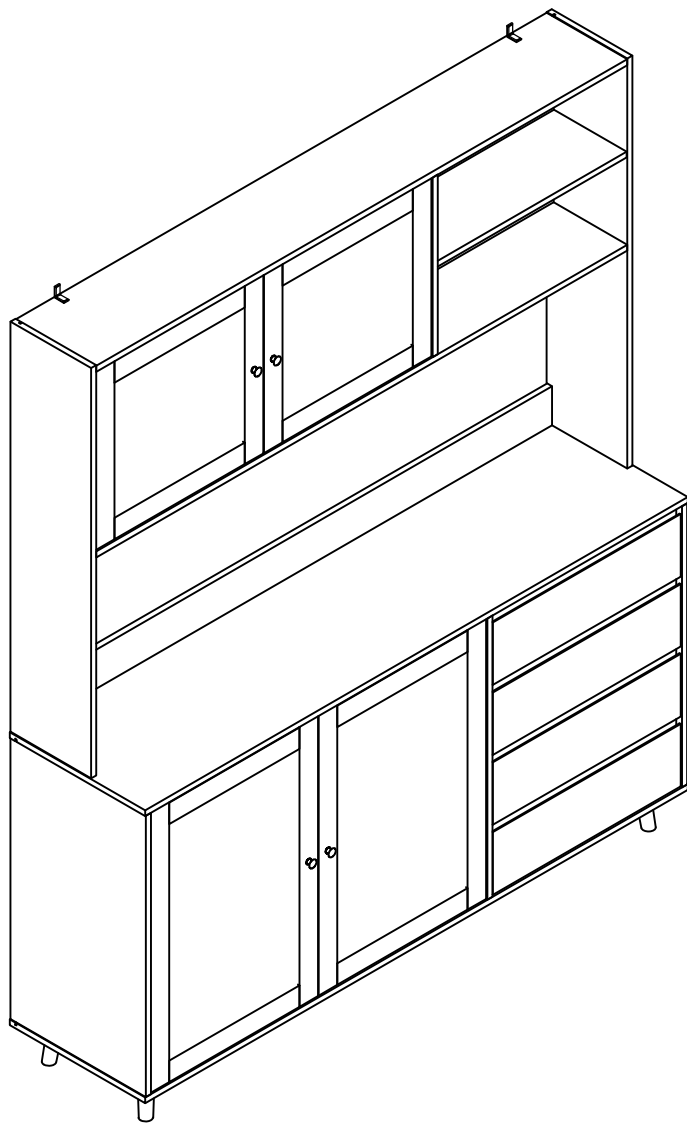


H\*26



I\*26

13



V\*2

Please install tip-proof fitting.