
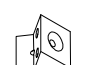




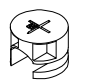

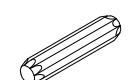
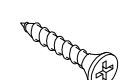


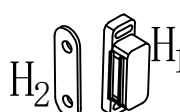


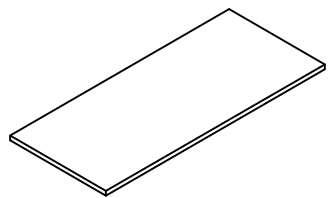


N	3*12	O	
			
16PCS		16PCS	

K	7*50	L	6*25	M	
					
6PCS		4PCS		2PCS	

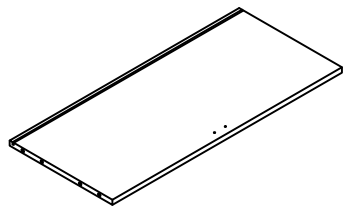
A	B	C	8*40	D	8*30	E	3.5*14	F	3.5*20	G	H	I	J	4*18
														
32PCS	32PCS	31PCS		14PCS	12PCS	3PCS	8PCS	3PCS	4PCS	4PCS				

1



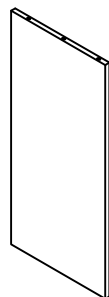
800*350 1PCS

2



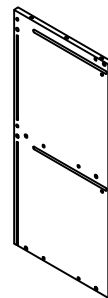
768*344 1PCS

3



740*344 1PCS

4



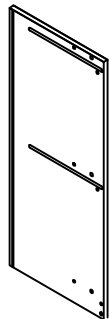
740*344 1PCS

5



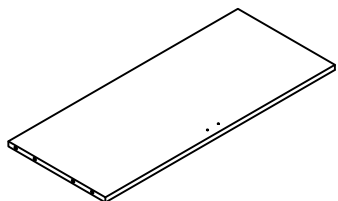
815*344 1PCS

6



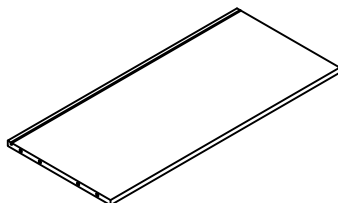
815*344 1PCS

7



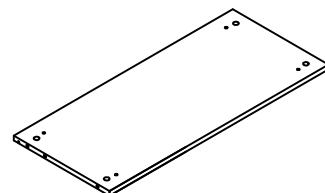
768*324 2PCS

8



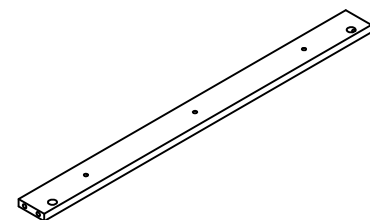
768*328 1PCS

9



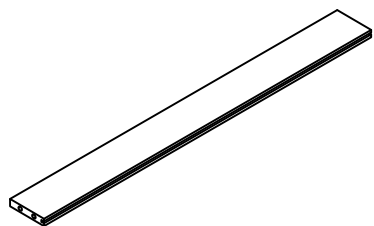
768*344 1PCS

10



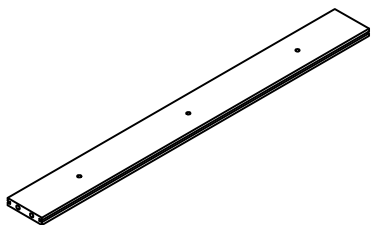
768*60 1PCS

11



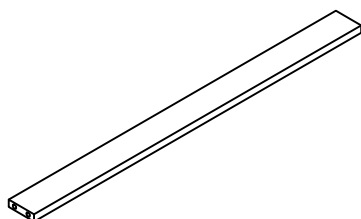
768*80 1PCS

12



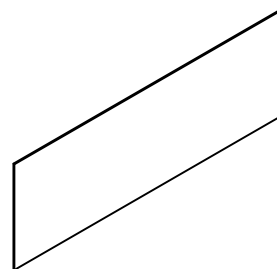
768*80 2PCS

13



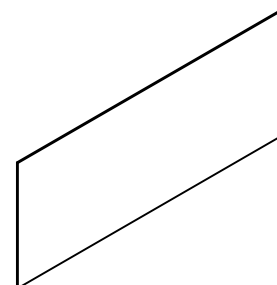
768*60 1PCS

14



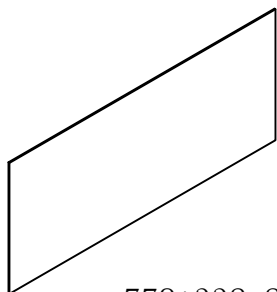
778*267 1PCS

15



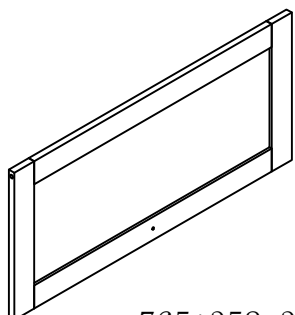
778*317 1PCS

16



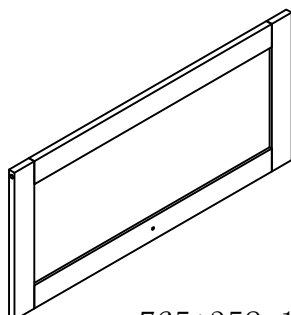
778*332 2PCS

17



765*352 3PCS

18



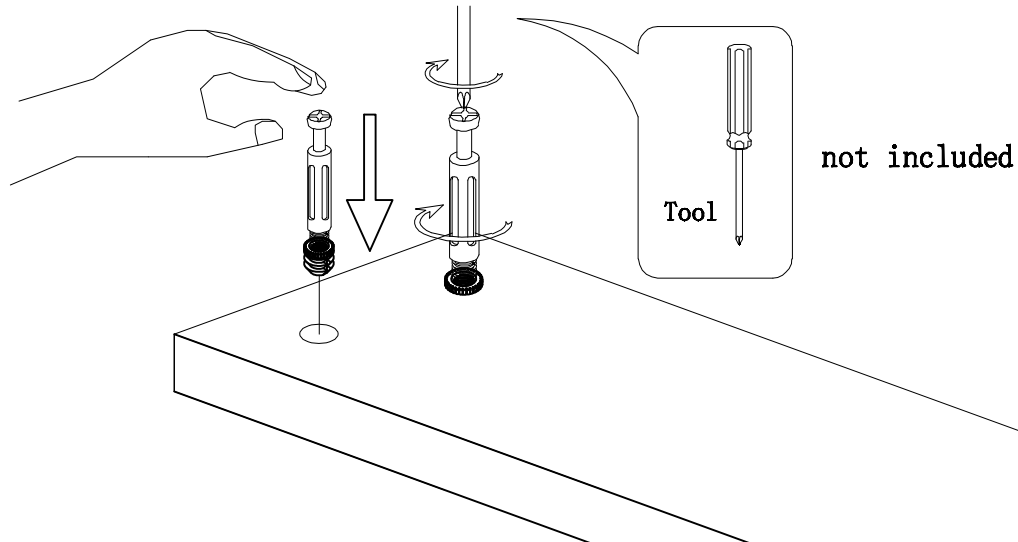
765*352 1PCS



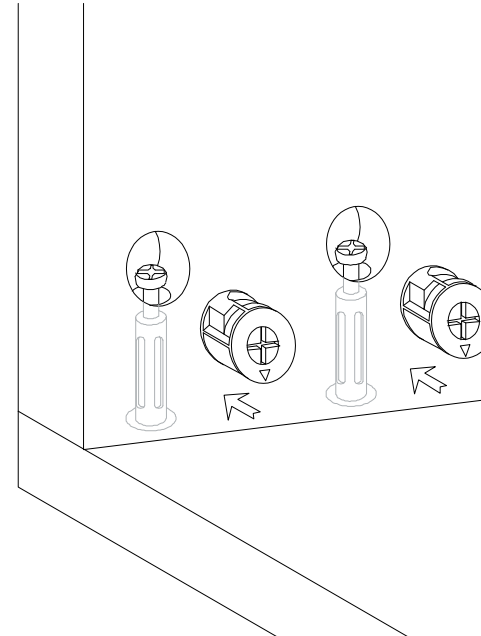
Hardware installation demonstration

NOTE: Please make sure "A" hardware tightened and can't be pulled out!

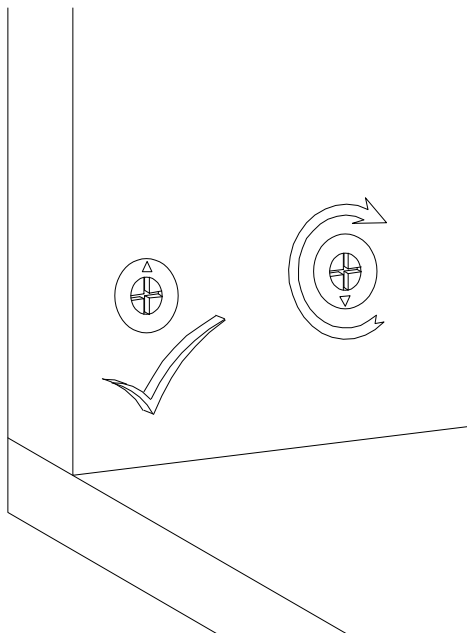
I



II



III

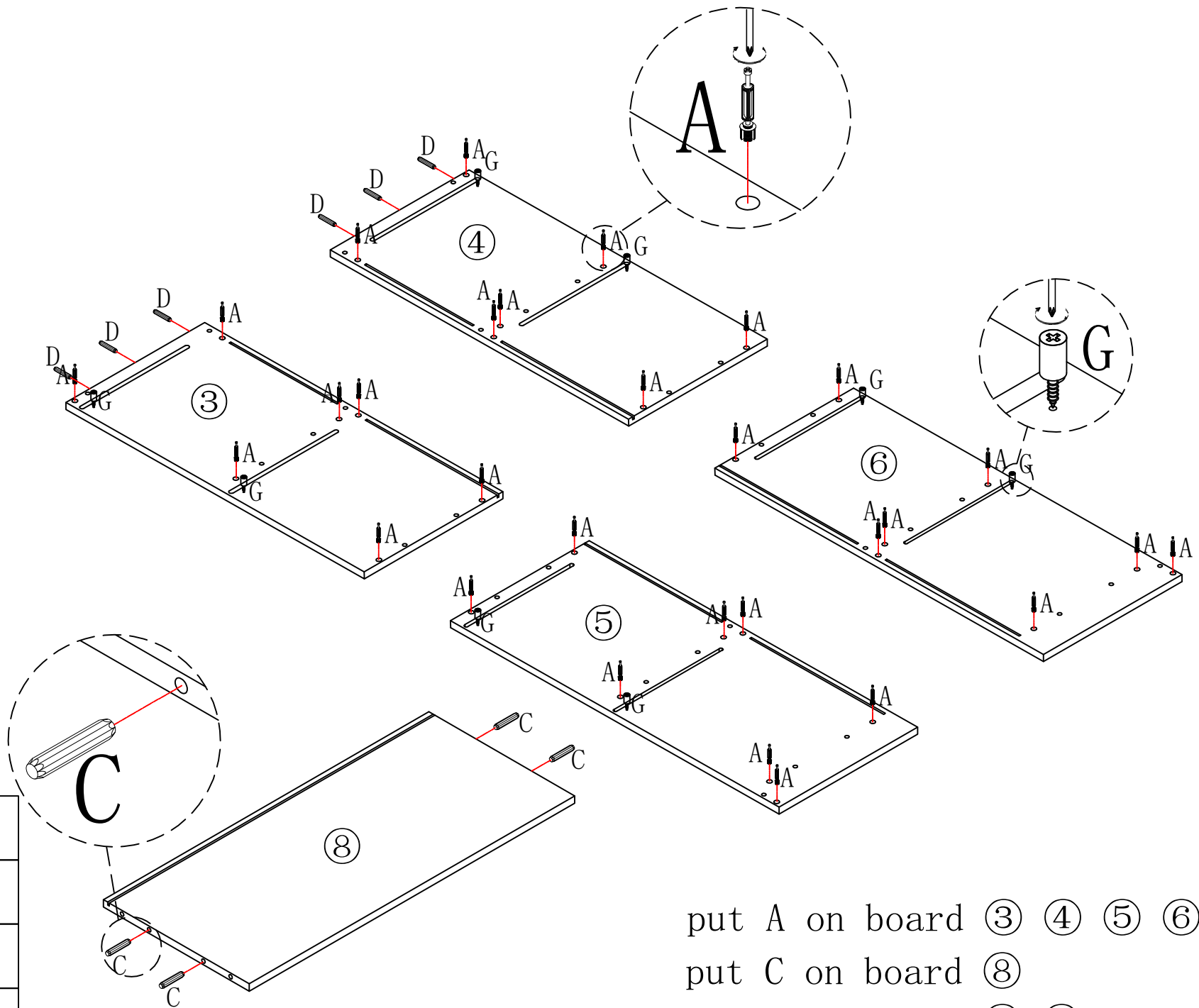



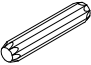
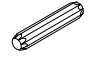

IV



Scan QR code for assembly video

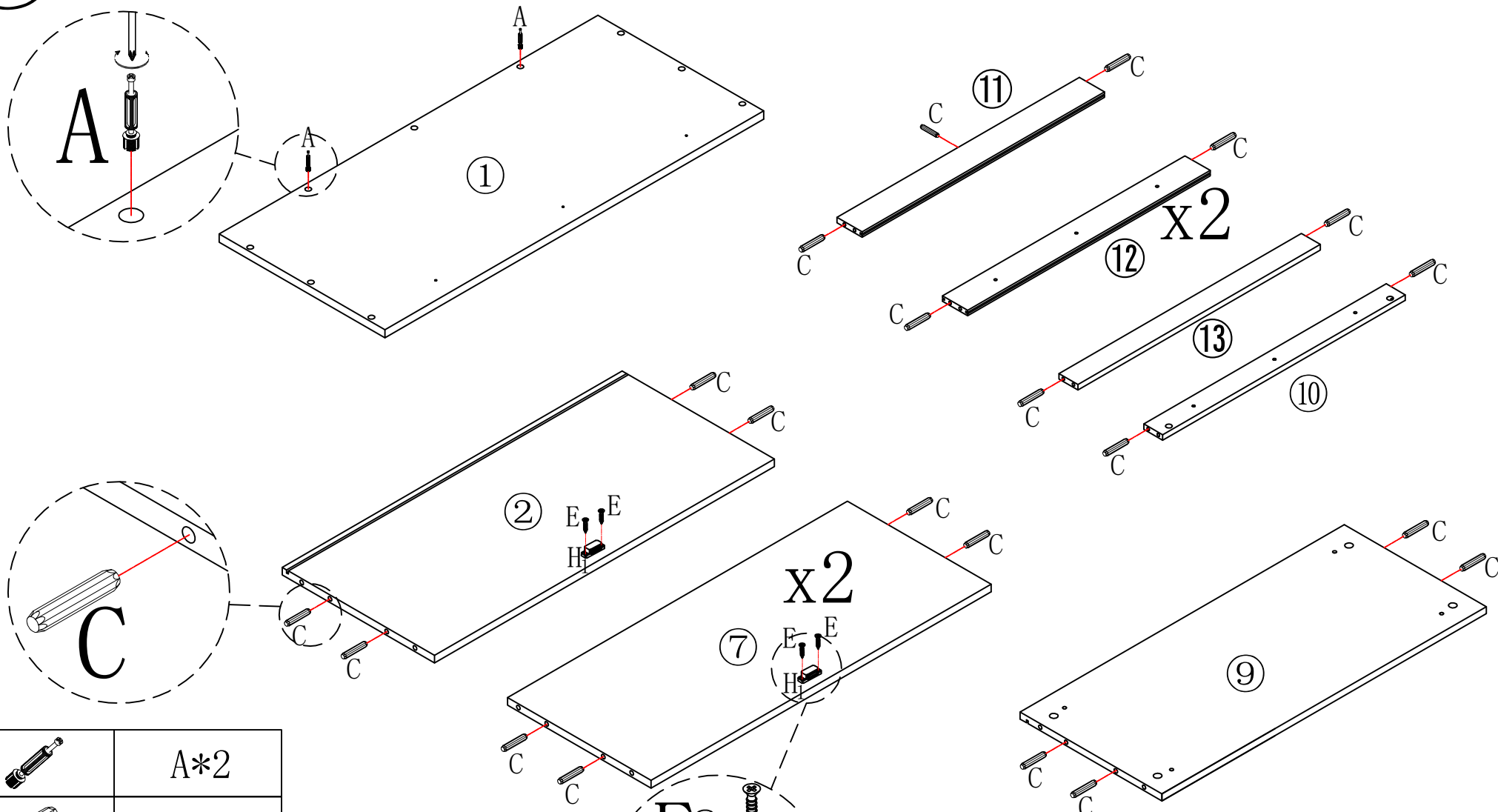
1


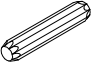
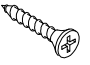
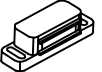


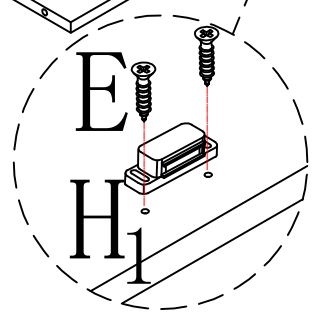
	A*30
	C*4
	D*6
	G*8

put A on board ③ ④ ⑤ ⑥
put C on board ⑧
put D on board ③ ④

2



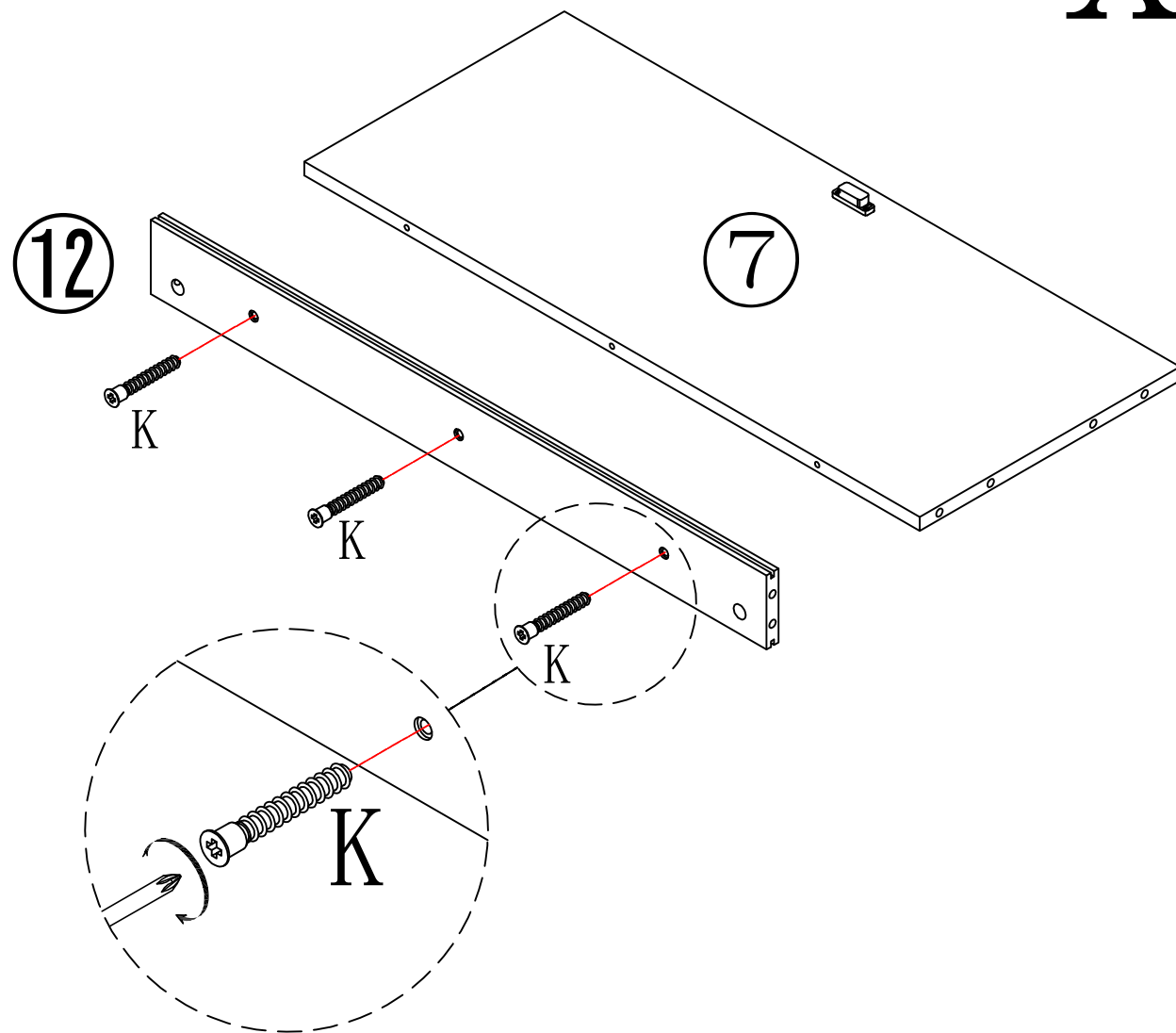
	A*2
	C*27
	E*6
	H ₁ *3




put A on board ①
 put C on board ② ⑦ ⑨ ⑩ ⑪ ⑫ ⑬

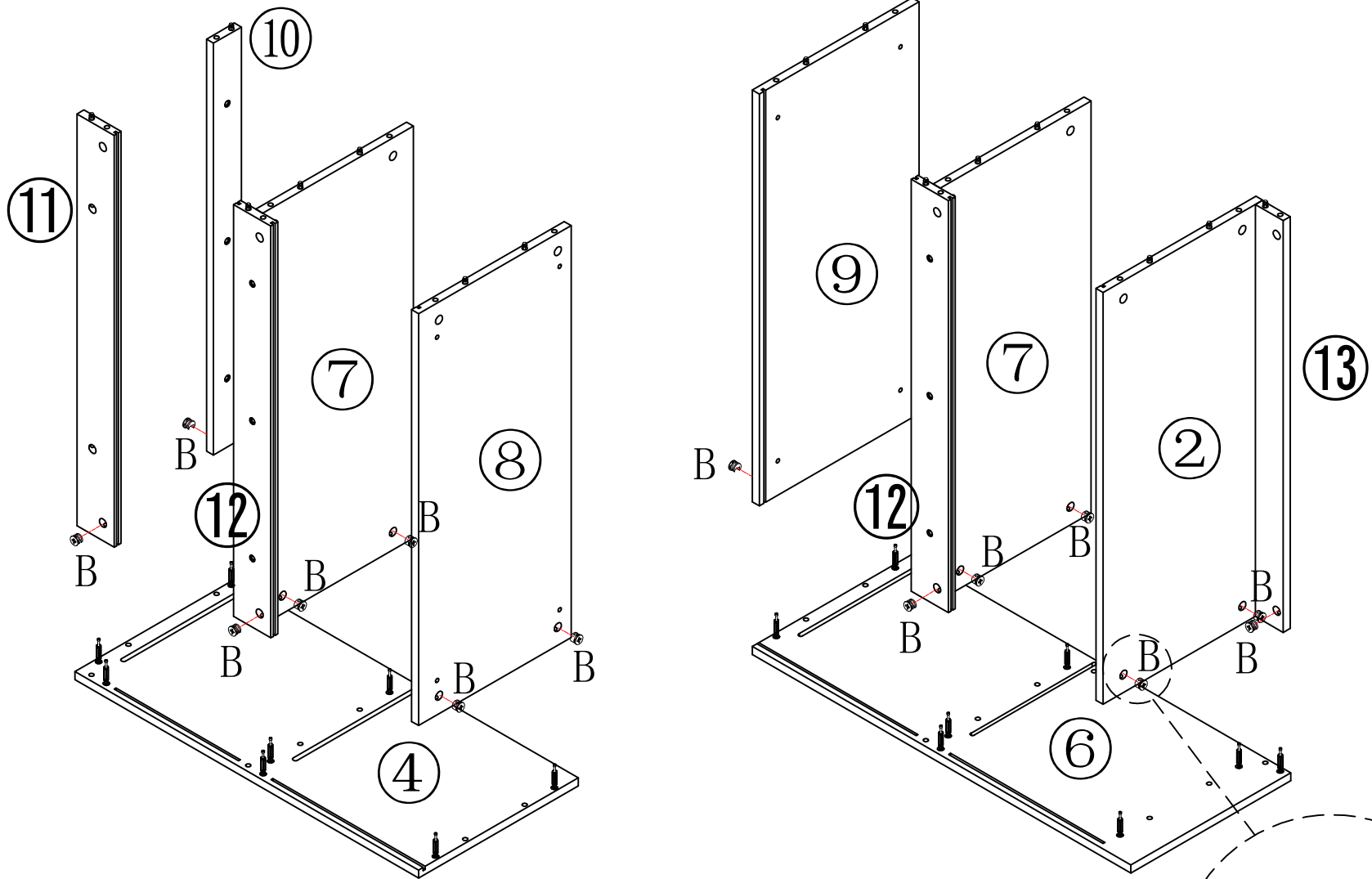
3

x2



	K*6
---	-----

4

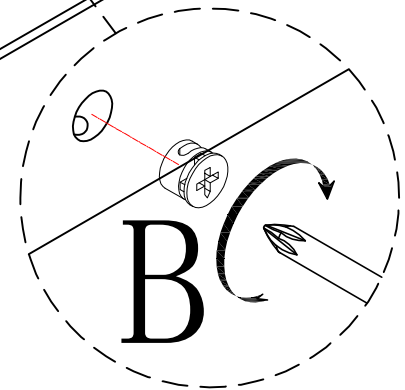


Make sure the arrow on the screw align to the hole on the side.

put B on board ⑤ ⑥

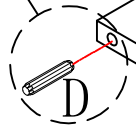
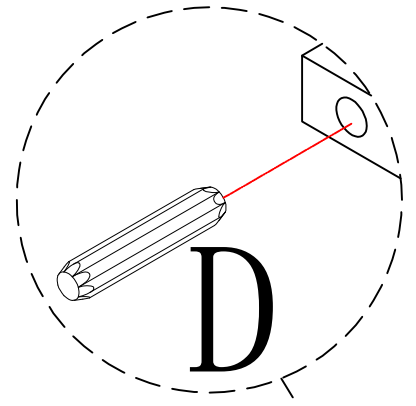
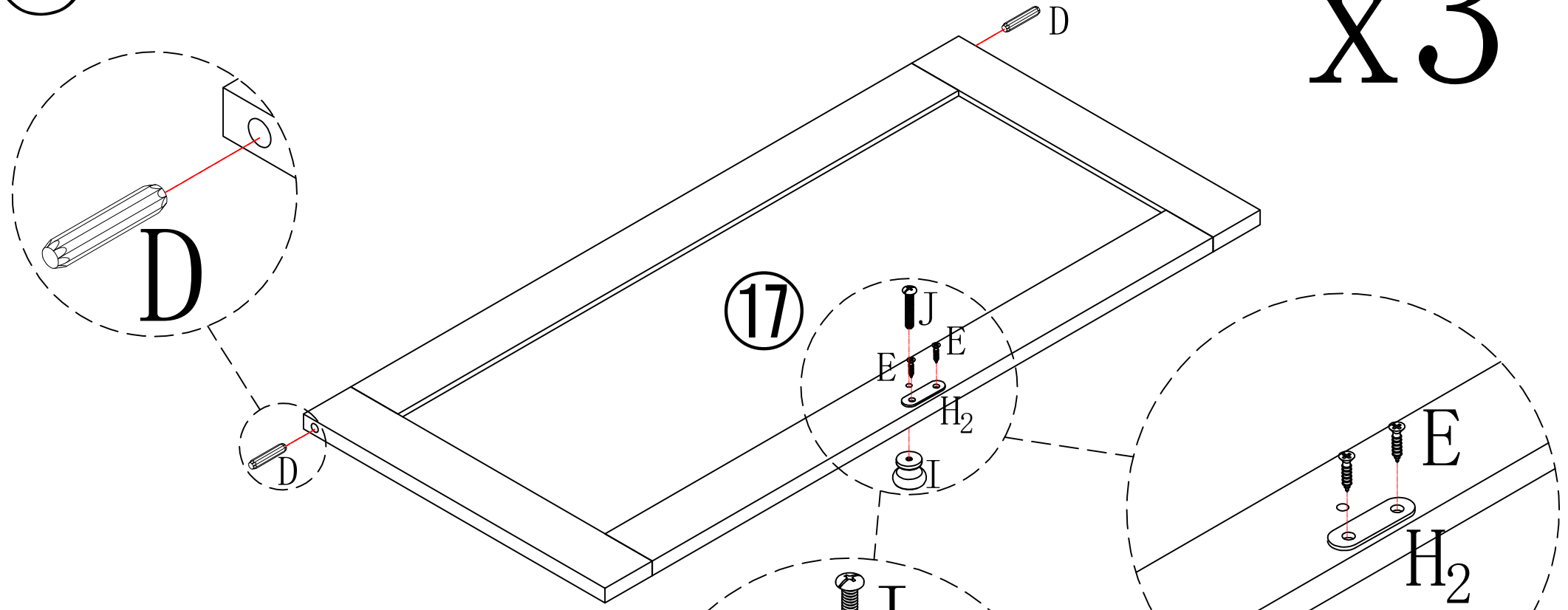


B*15

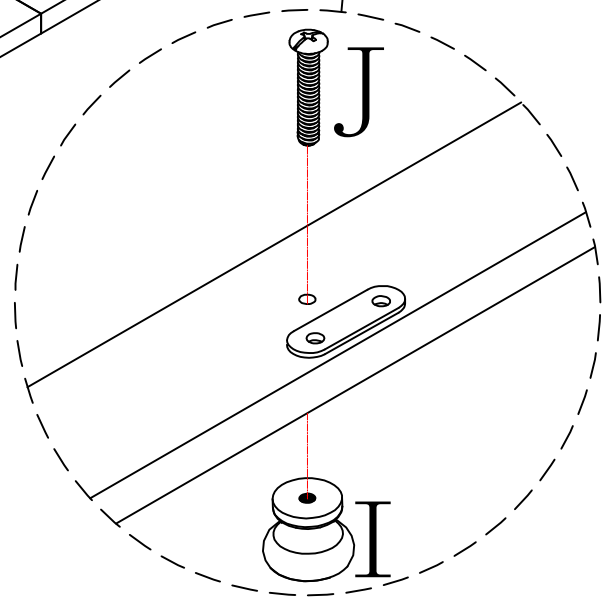
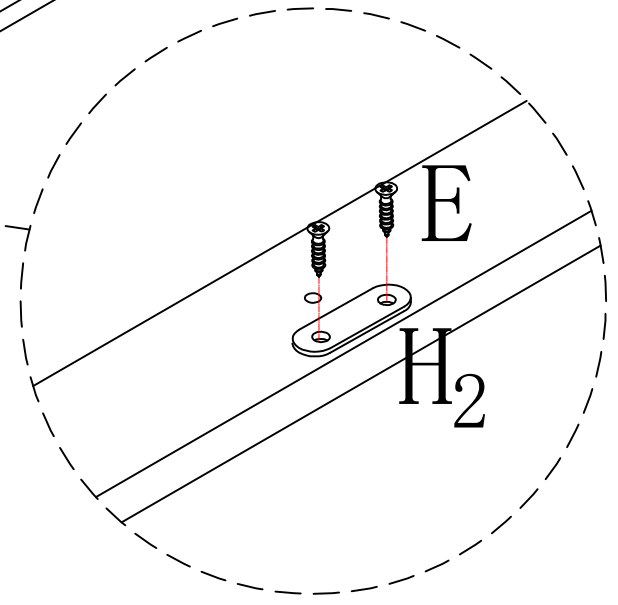
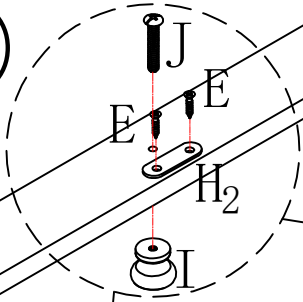


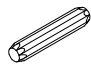




5

x3

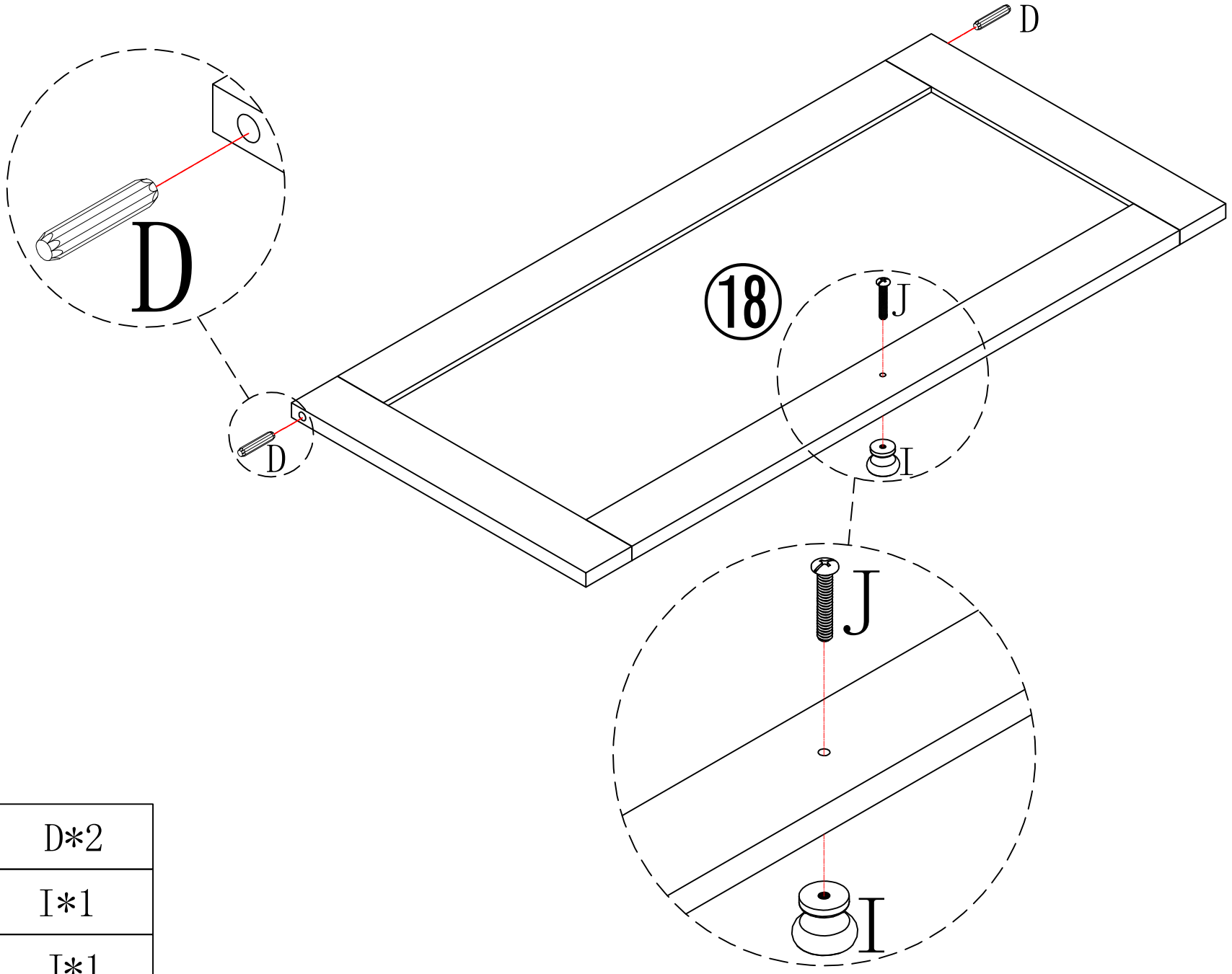


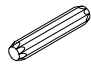


17



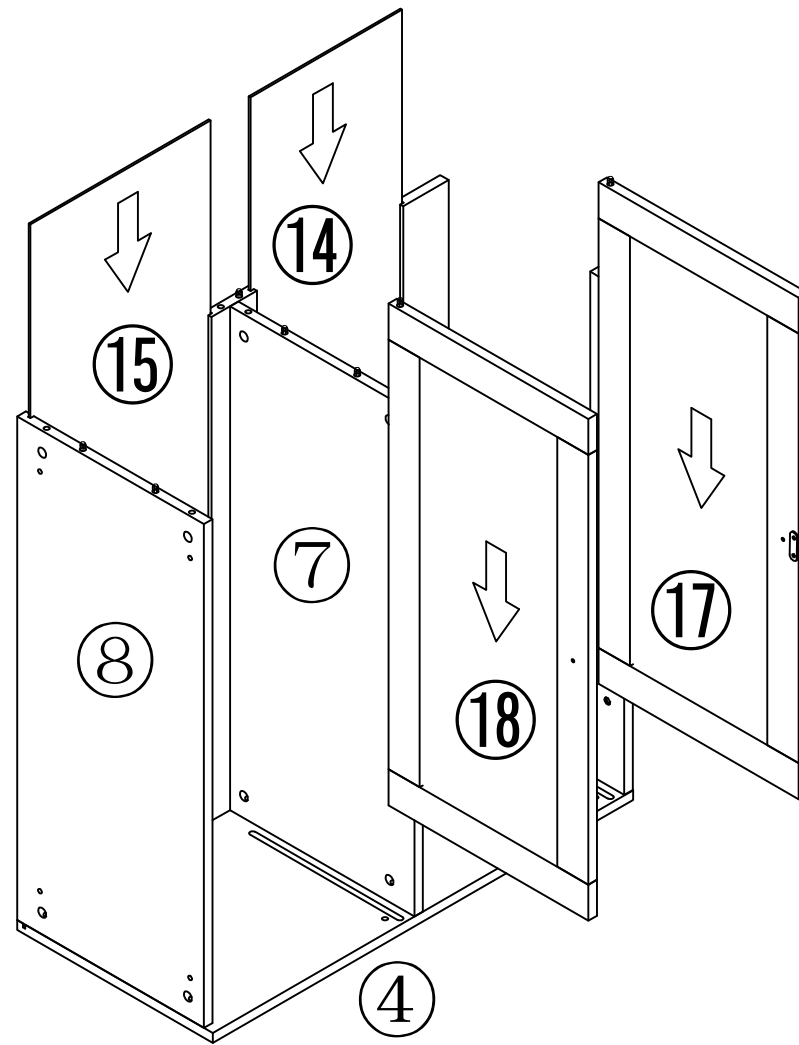
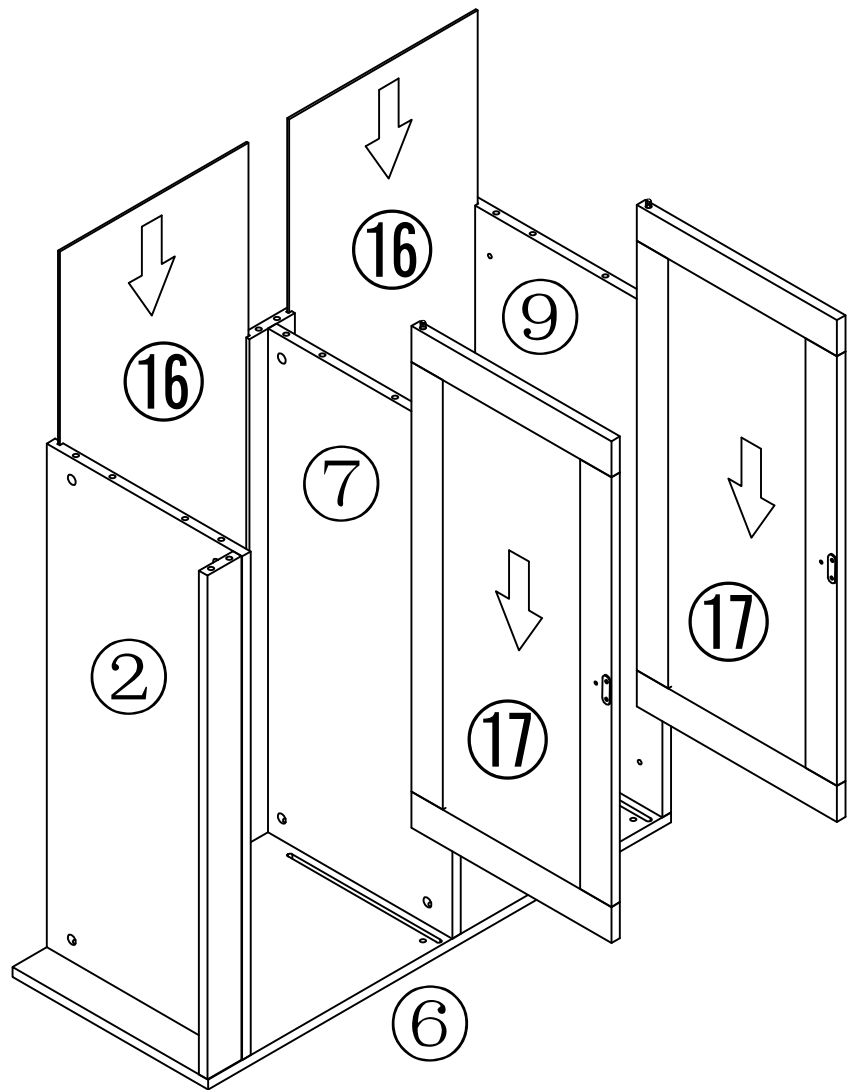
	D*6
	E*6
	H ₂ *3
	I*3
	J*3

6

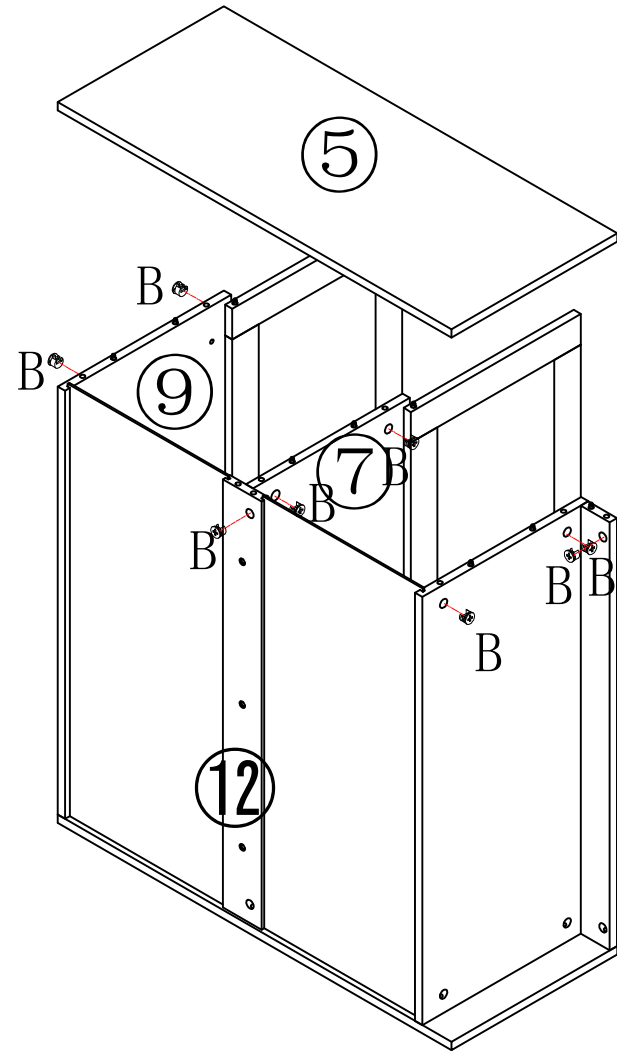
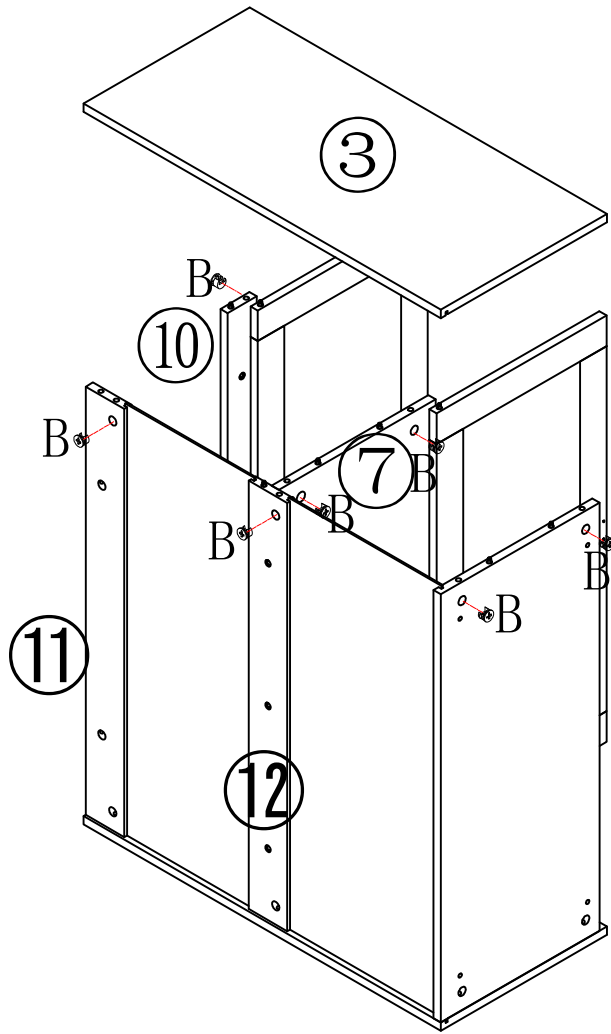


	D*2
	I*1
	J*1

7

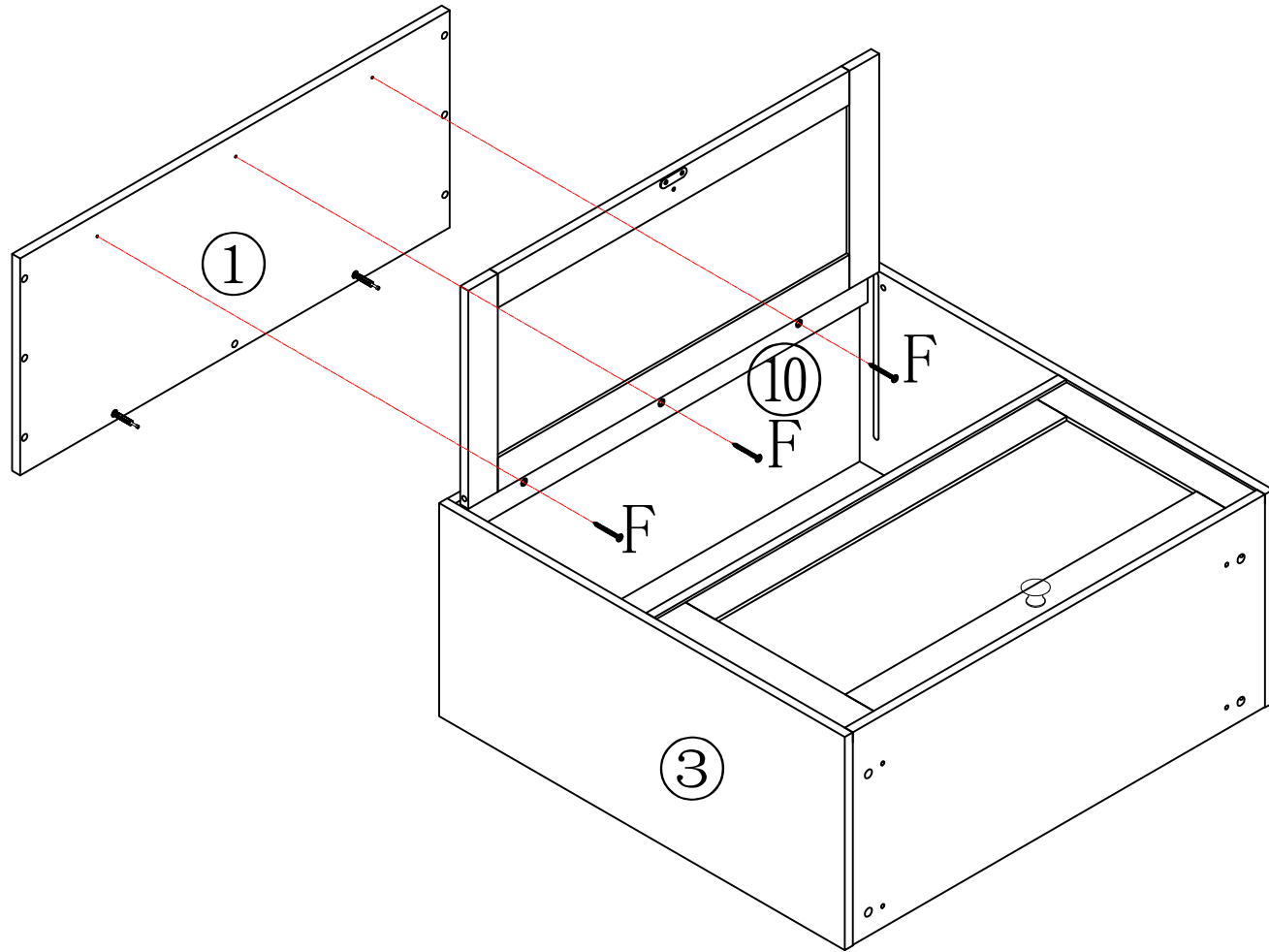


8



B*15

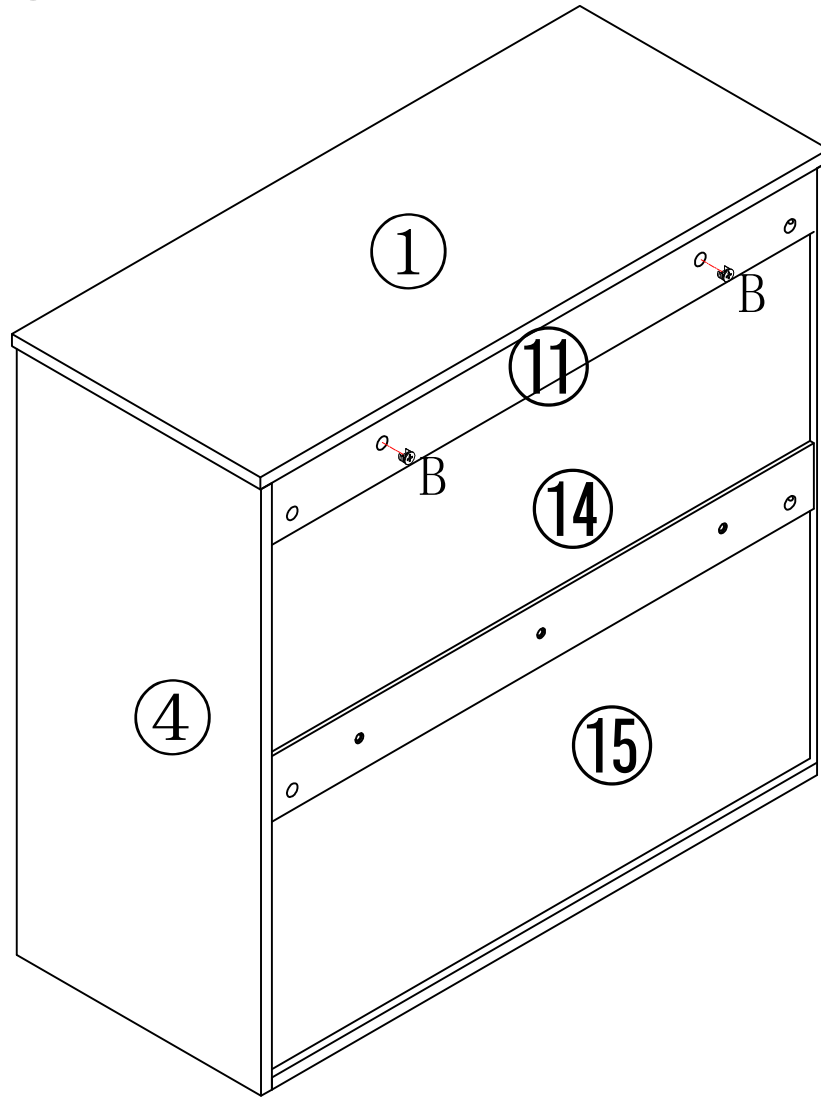
9



F*3

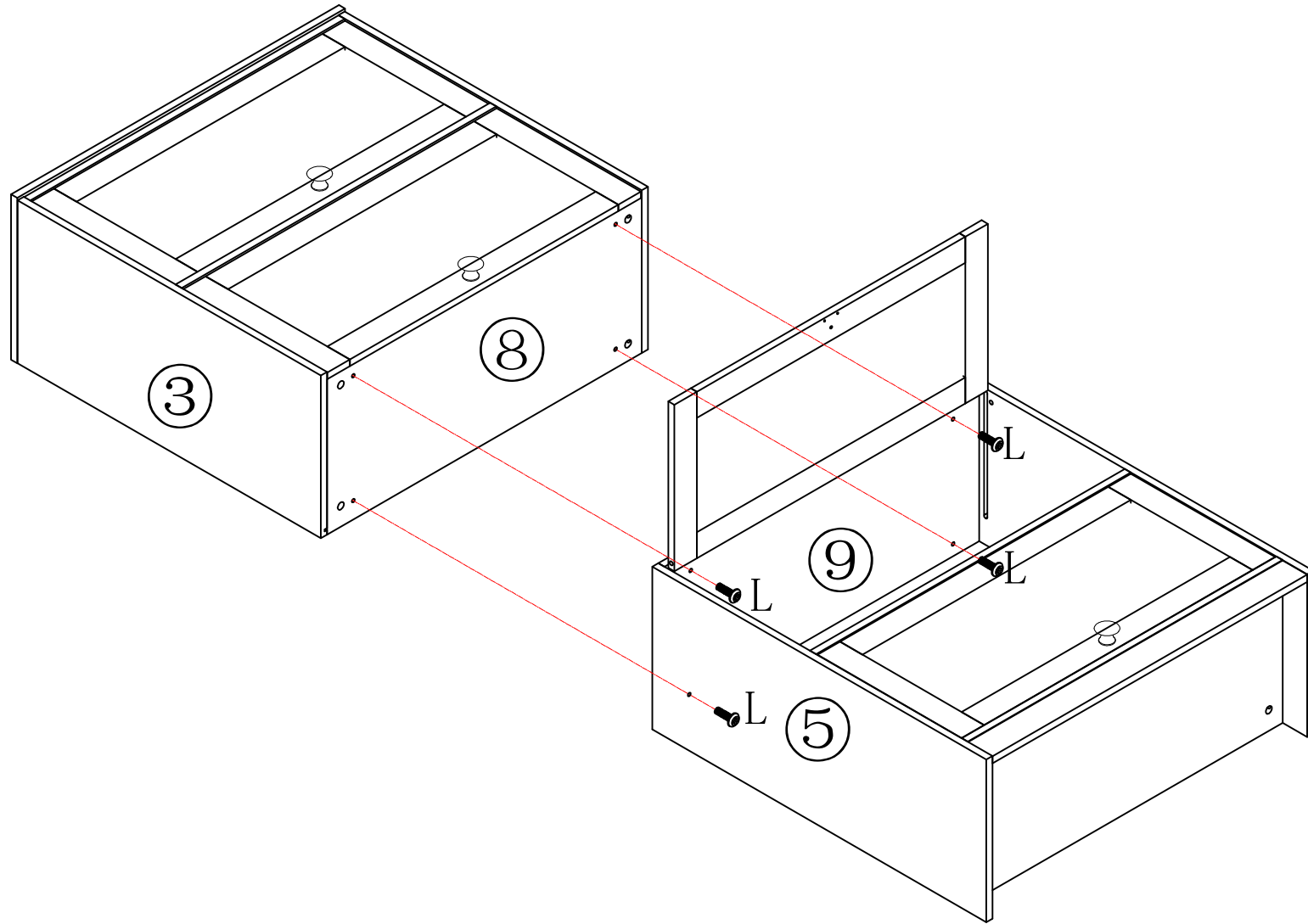
10

put B on board 11



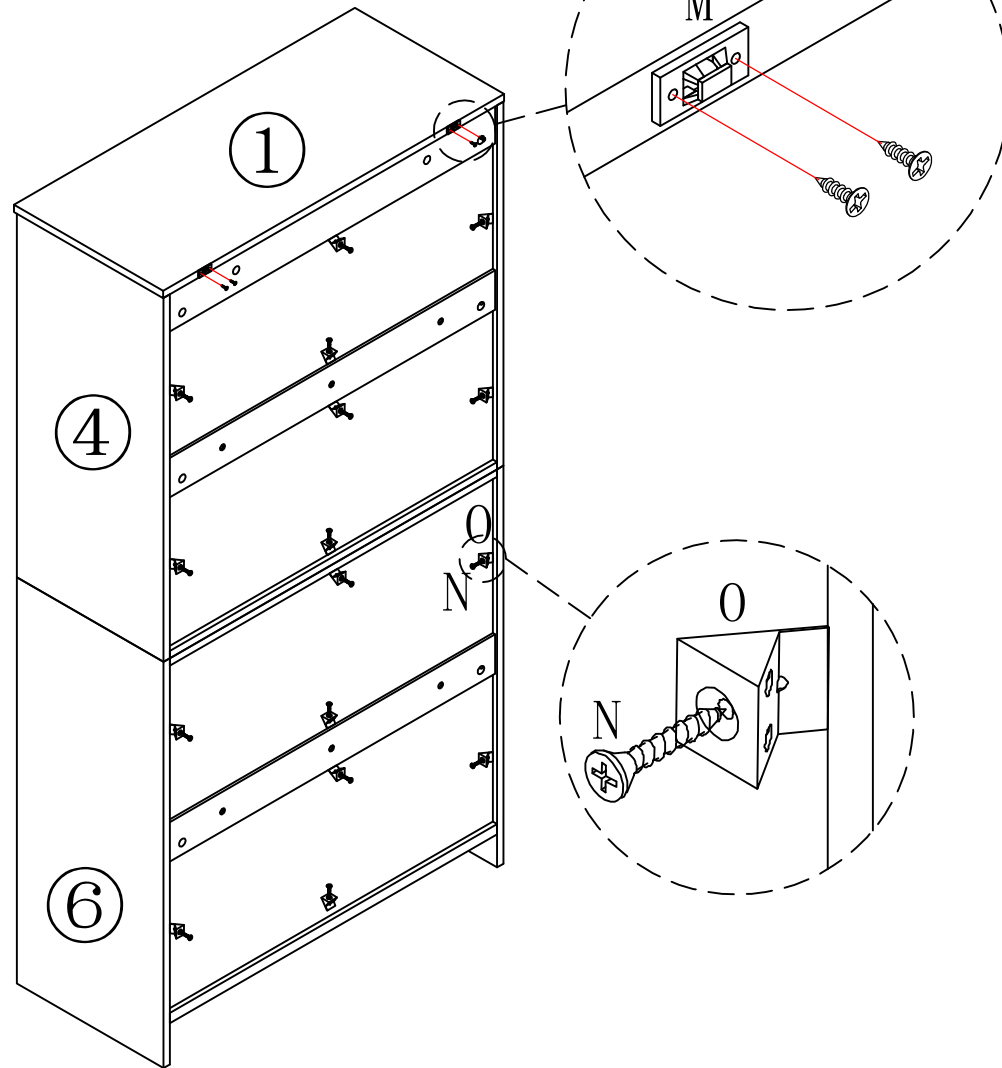
B*2

11



L*4

12



M*2

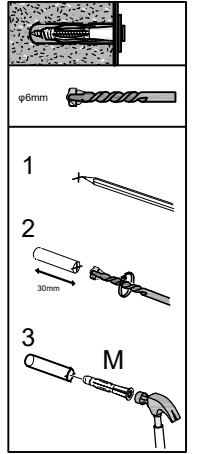
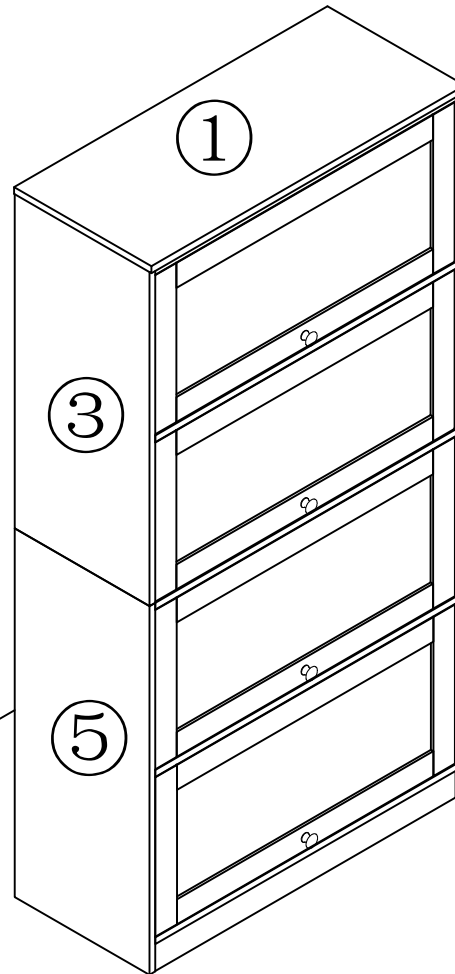


N*16



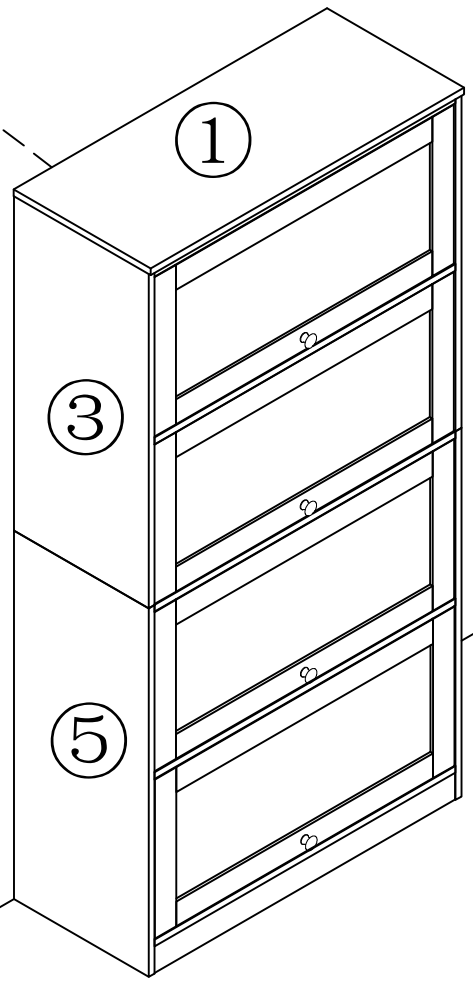
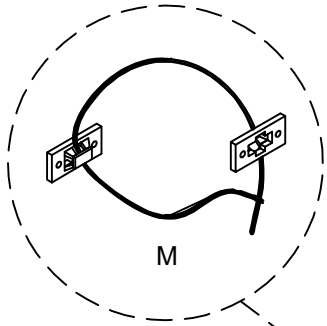
O*16


13

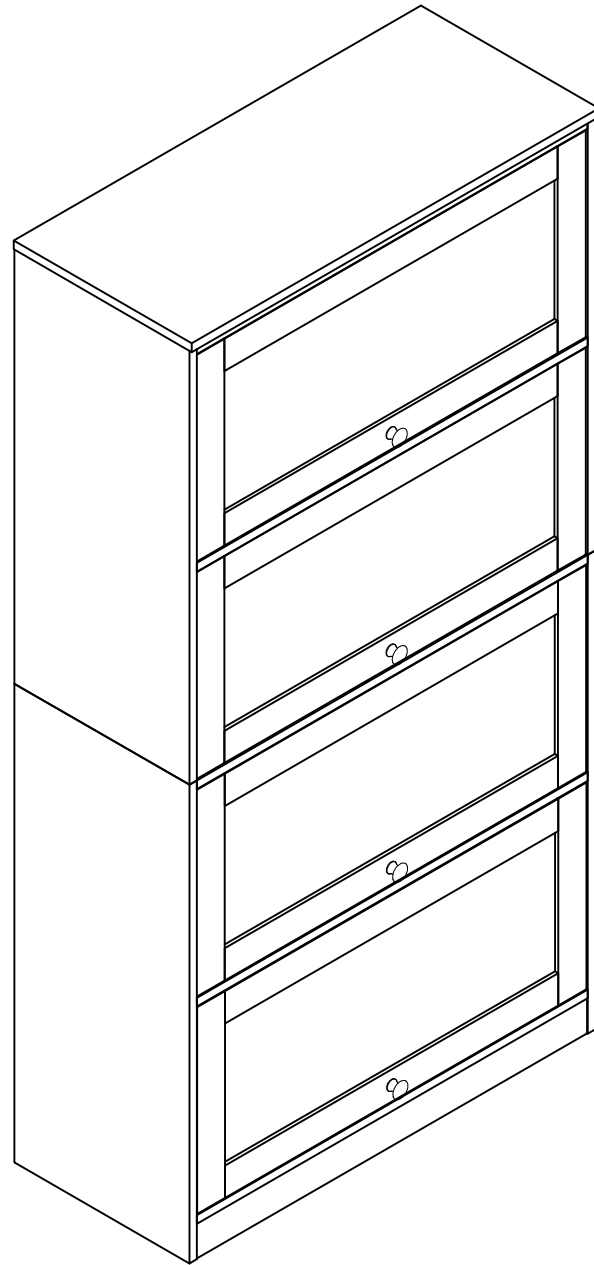


M*2

14



 M*2



END