

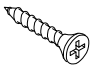
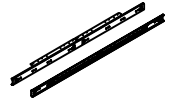
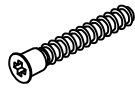
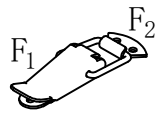
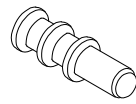

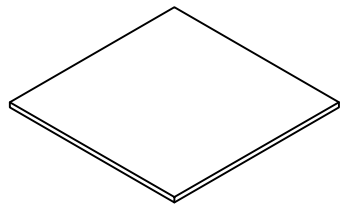


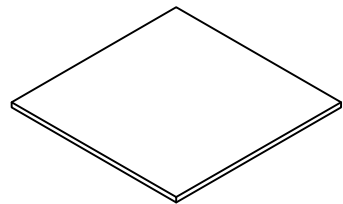
<p>A</p>  <p>20PCS</p>	<p>B</p>  <p>20PCS</p>	<p>C</p> <p>3.5*20</p>  <p>68PCS</p>	<p>D</p>  <p>1PCS</p>	<p>E</p> <p>7*50</p>  <p>16PCS</p>	<p>F</p>  <p>6PCS</p>	<p>G</p>  <p>12PCS</p>	<p>H</p> <p>8*40</p>  <p>16PCS</p>
---	---	---	--	--	--	---	---

1



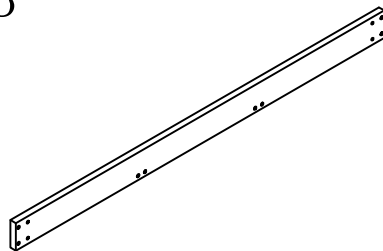
900\*900 1PS

2



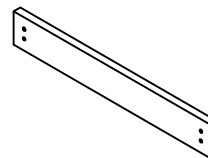
900\*900 1PS

3



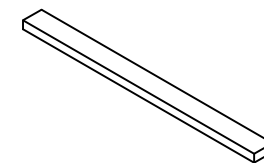
1700\*110 2PS

4



750\*110 2PS

5



750\*60 2PS

6



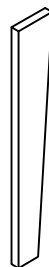
733\*95 2PS

7



733\*95 2PS

8



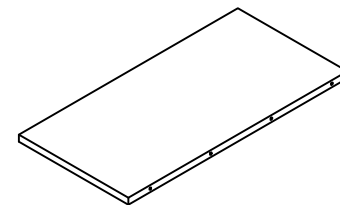
733\*120 2PS

9



733\*120 2PS

10



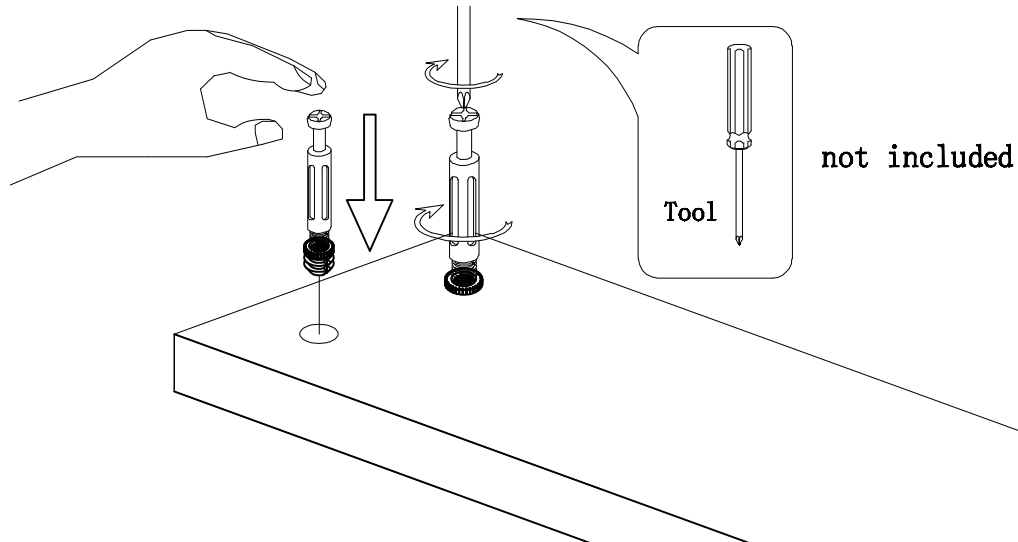
900\*450 2PS



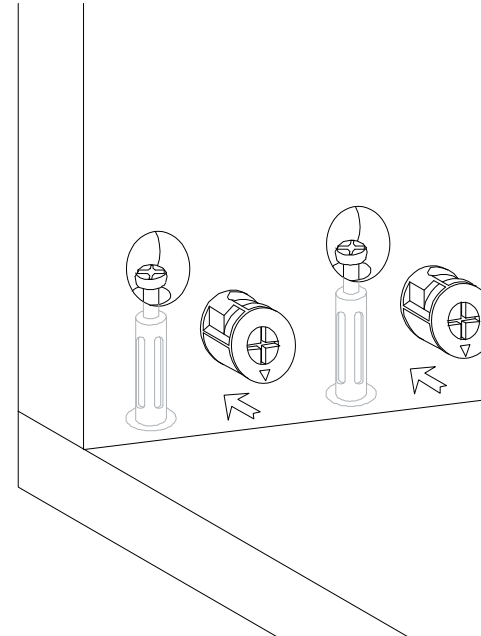
## Hardware installation demonstration

NOTE: Please make sure "A" hardware tightened and can't be pulled out!

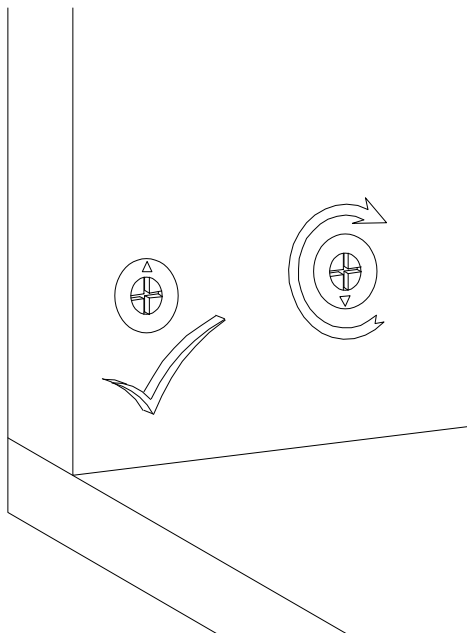
I



II



III

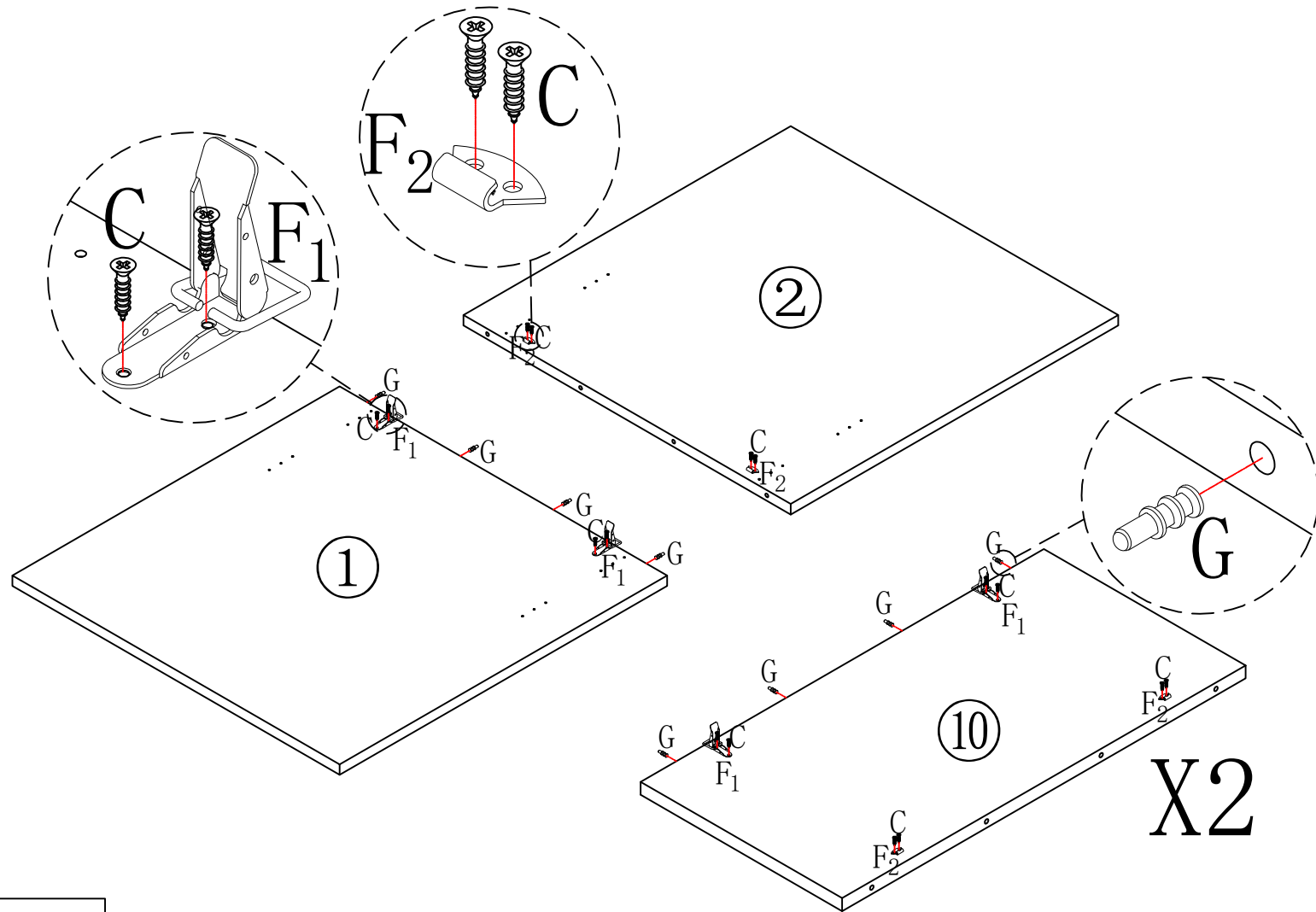





IV



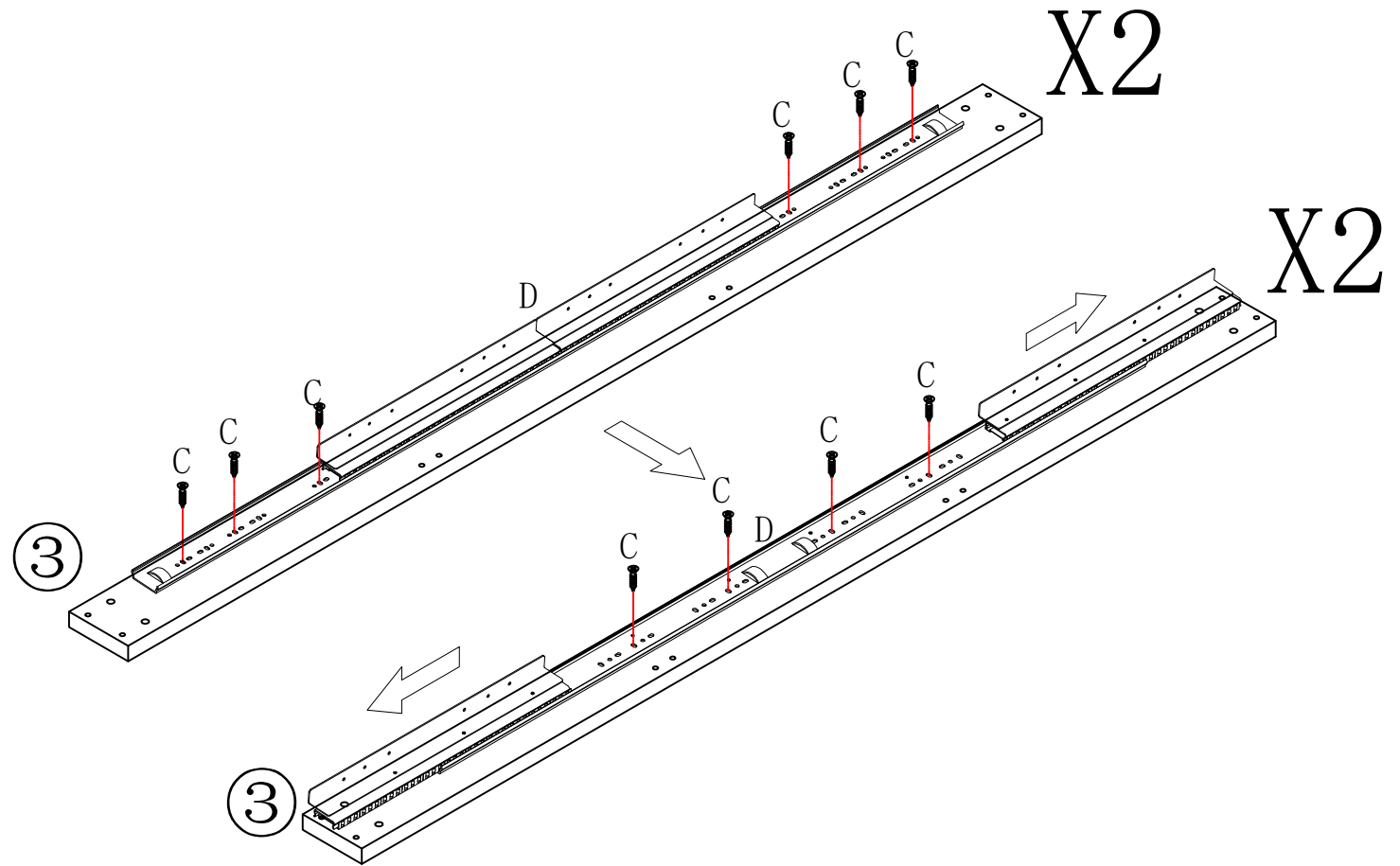
Scan QR code for assembly video



1



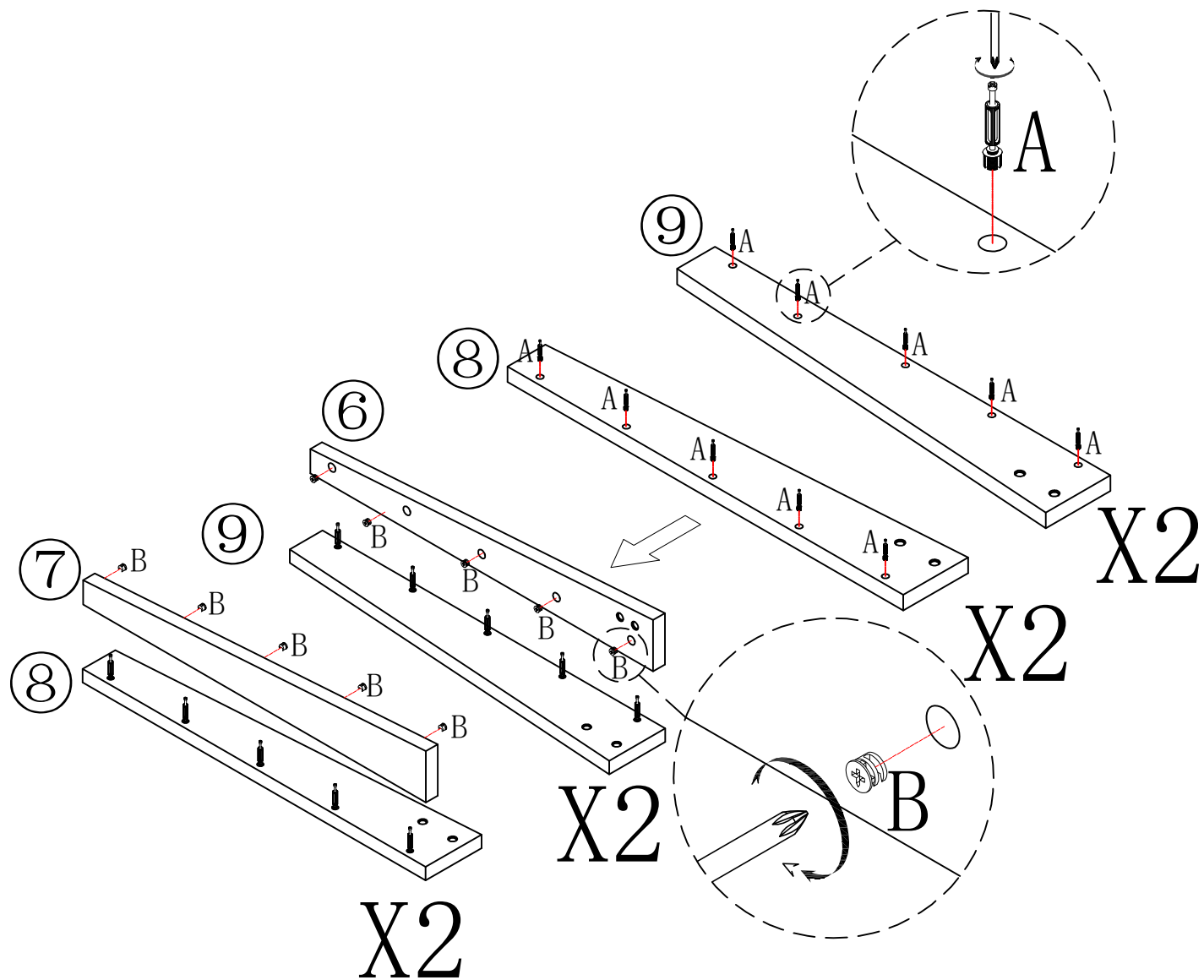
	C*24
	F*6
	G*12

②





	C*20
	D*1

3

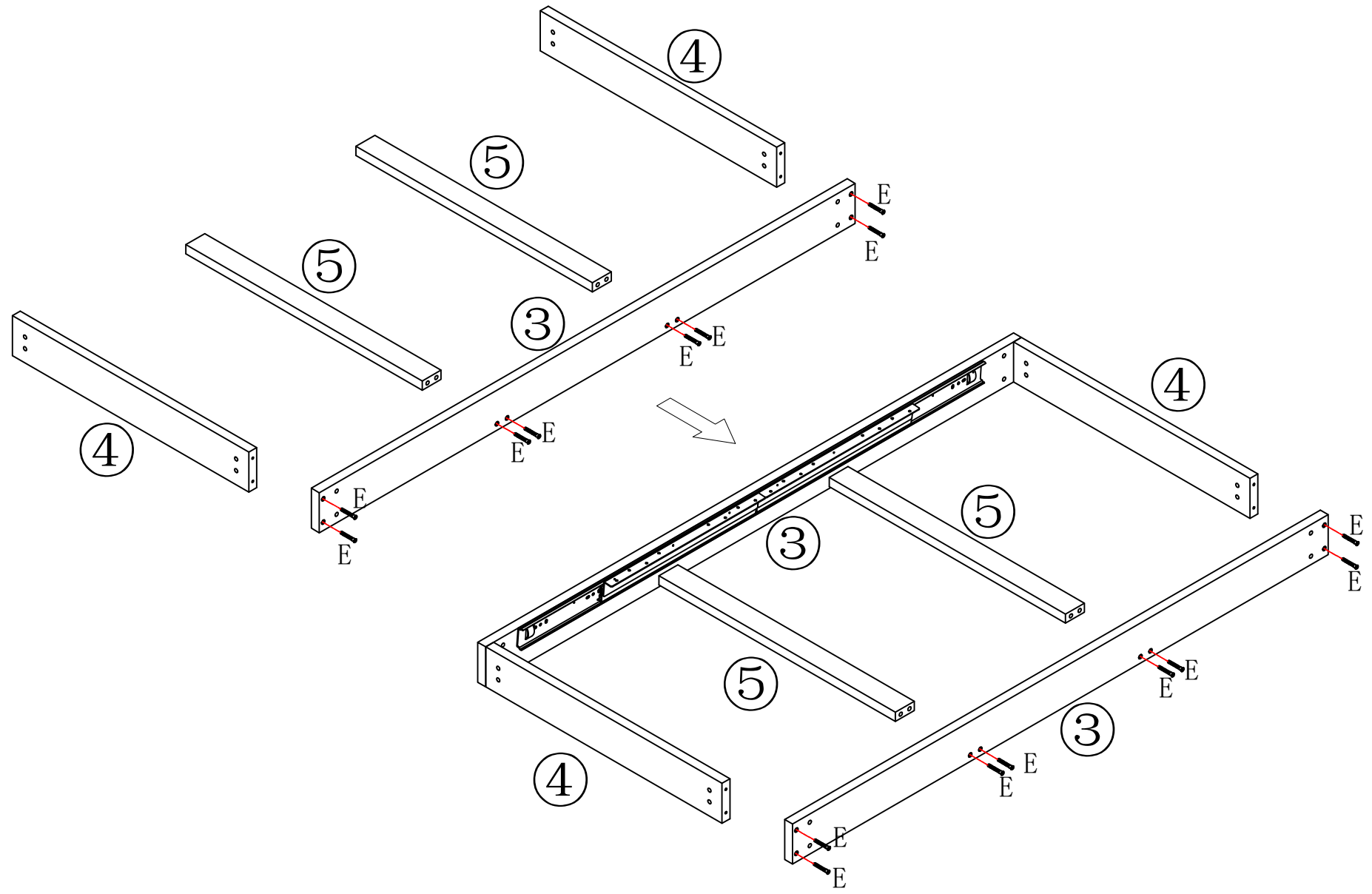



Make sure the arrow on the screw align to the hole on the side.

	A*20
	B*20

put A on board ⑧ ⑨  
put B on board ⑥ ⑦

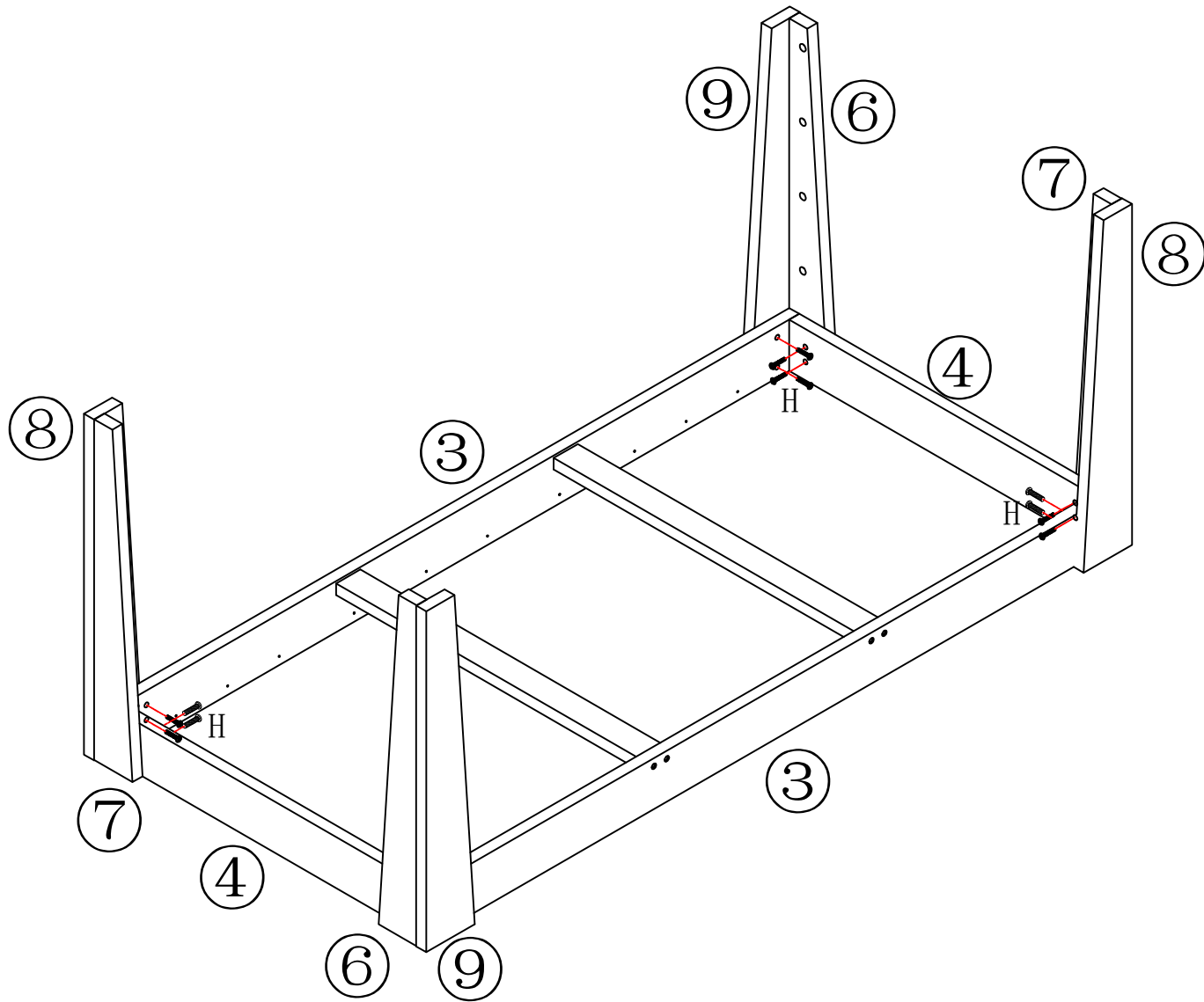
4



	E*16
---	------

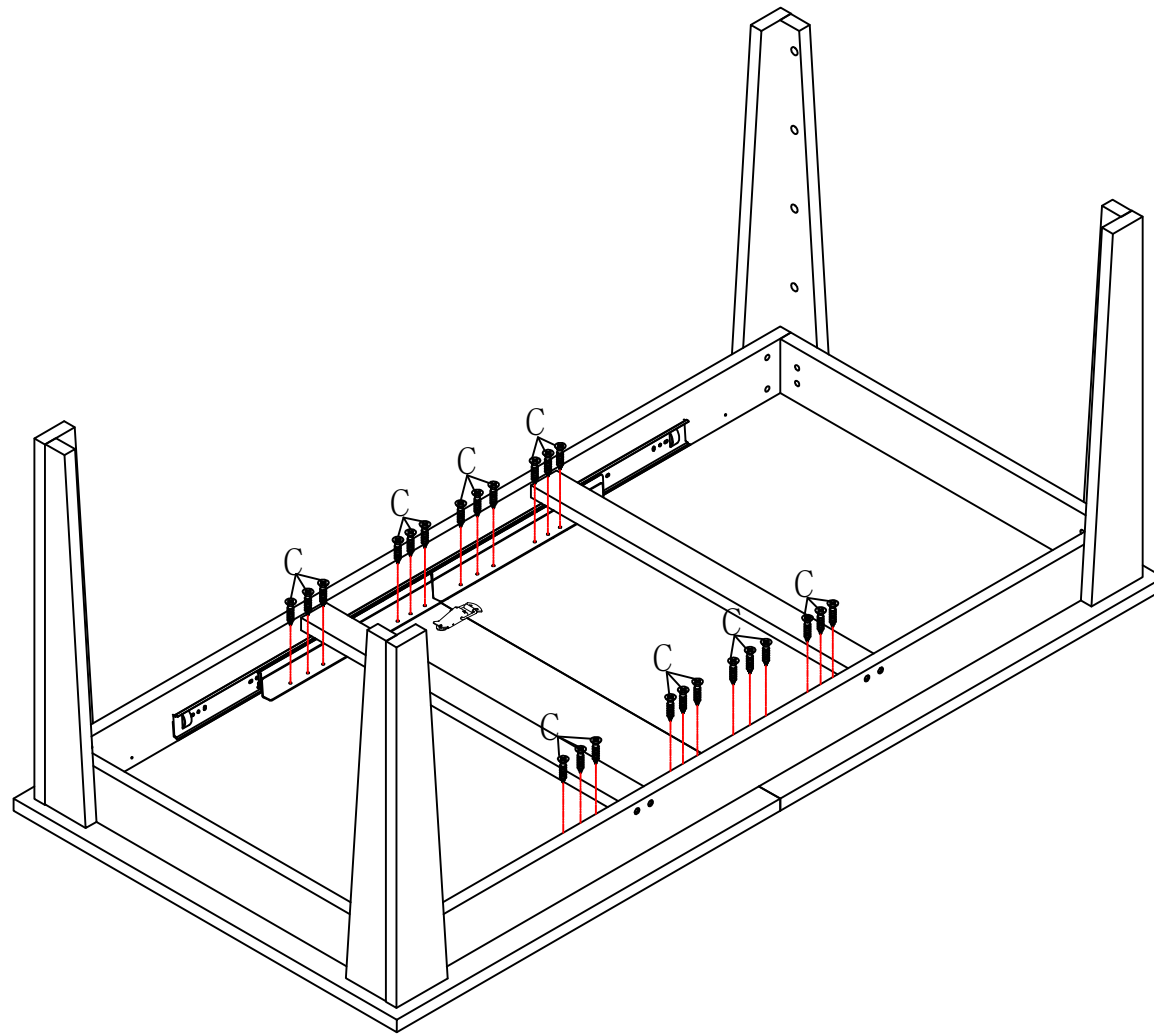


5



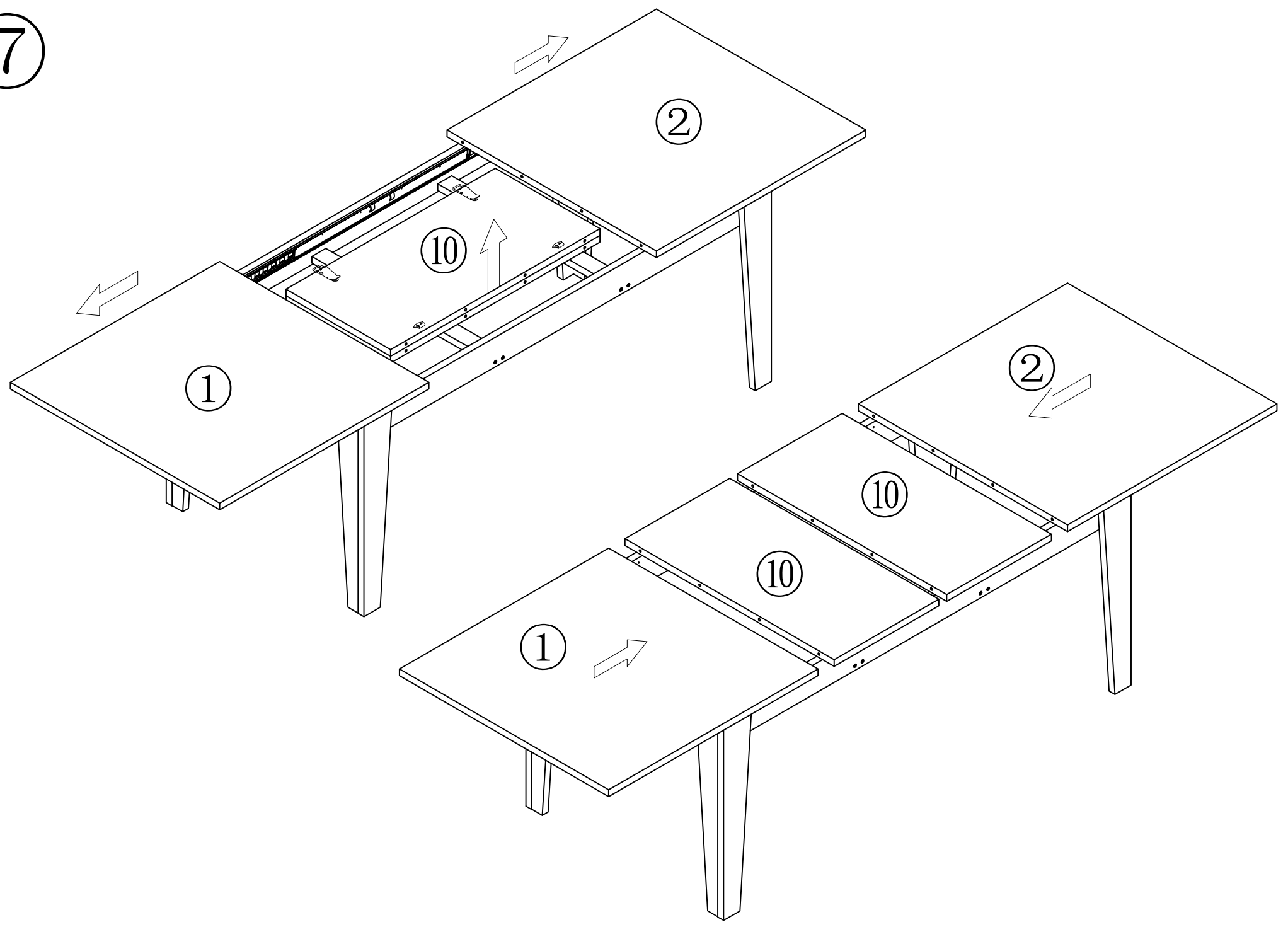
H\*16

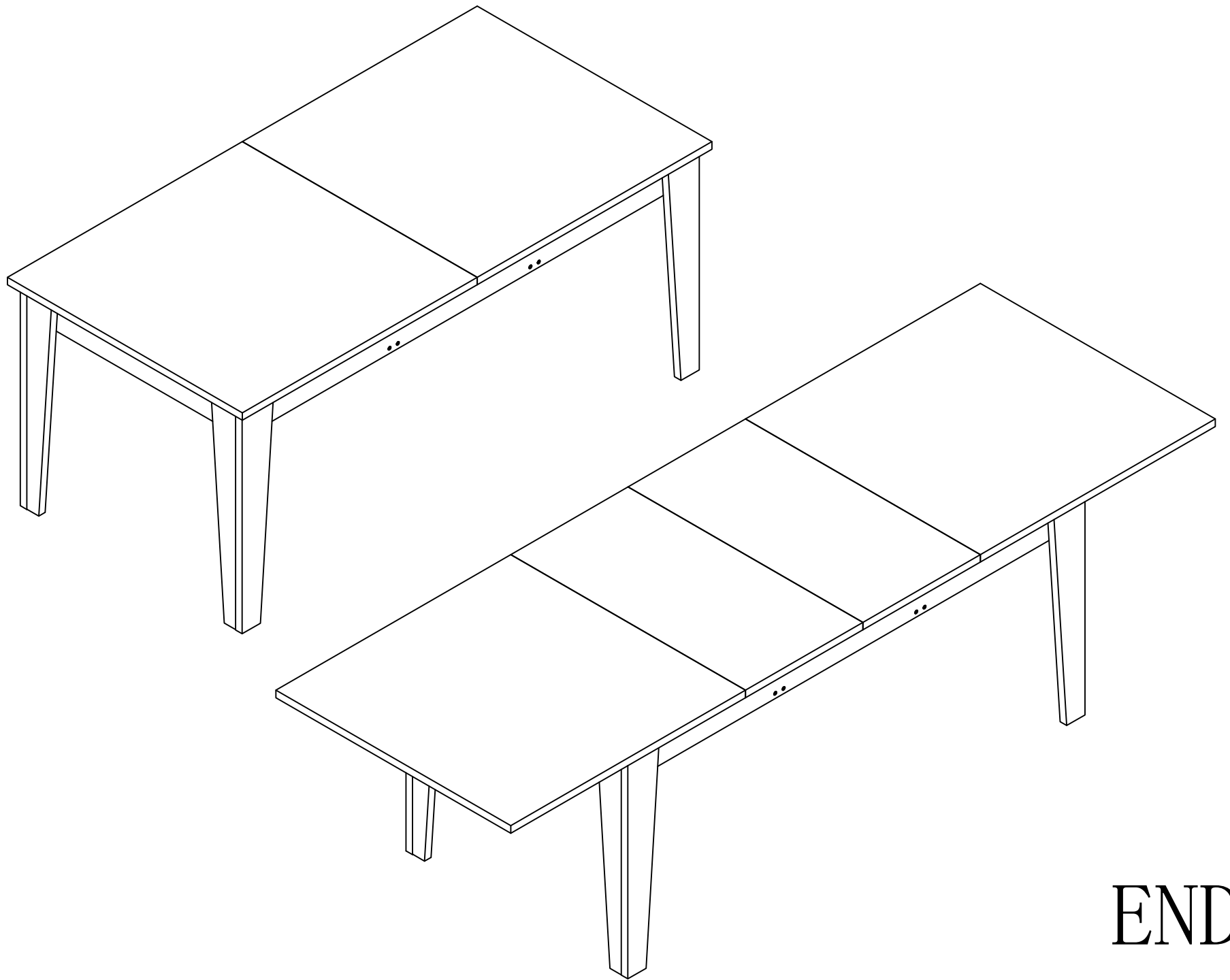
6



C\*24

7





END