
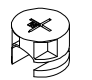
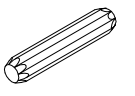


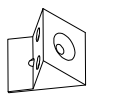
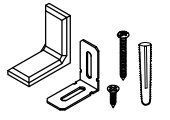
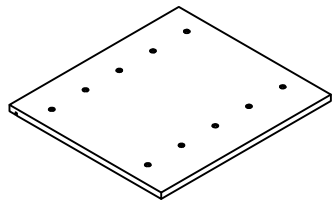


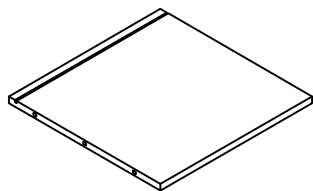
<p>A</p>  <p>16PCS</p>	<p>B</p>  <p>16PCS</p>	<p>C</p> <p>8*40</p>  <p>4PCS</p>	<p>D</p> <p>3*25</p>  <p>20PCS</p>	<p>E</p> <p>3*12</p>  <p>4PCS</p>	<p>F</p>  <p>4PCS</p>	<p>G</p>  <p>2PCS</p>
---	---	--	---	---	--	--

1



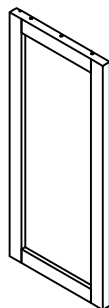
452*405 1PCS

2



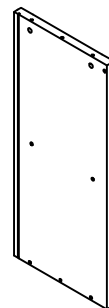
390*390 1PCS

3



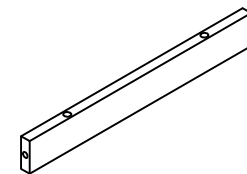
885*390 1PCS

4



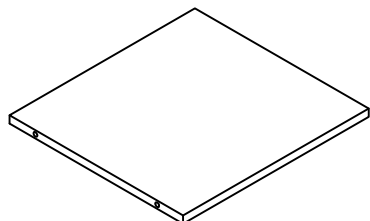
885*390 1PCS

5



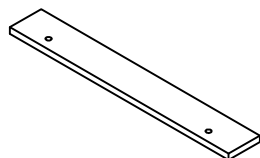
390*50 1PCS

6



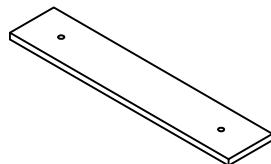
390*365 1PCS

7



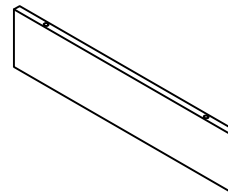
350*50 2PCS

8



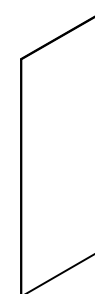
350*70 3PCS

9



350*80 5PCS

10



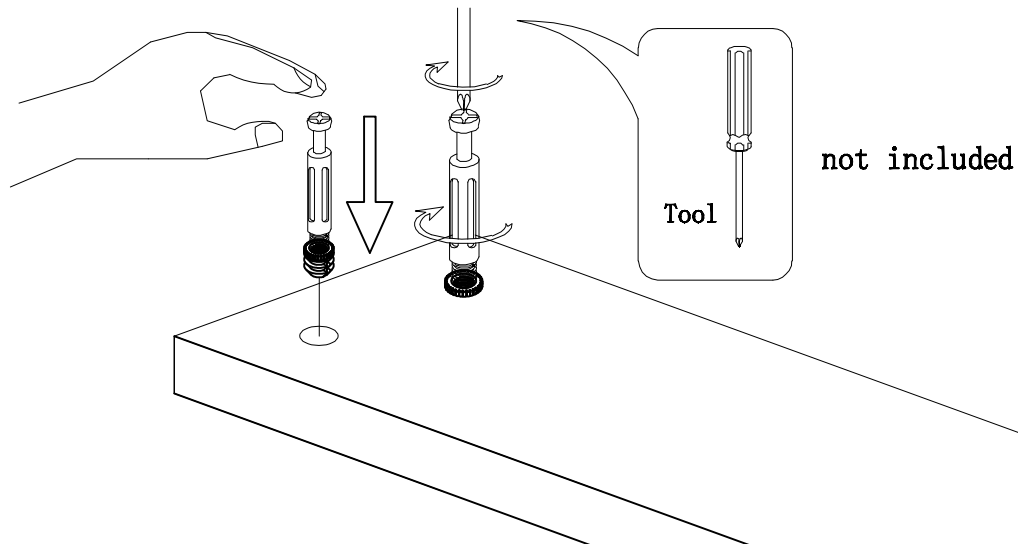
879*400 1PCS



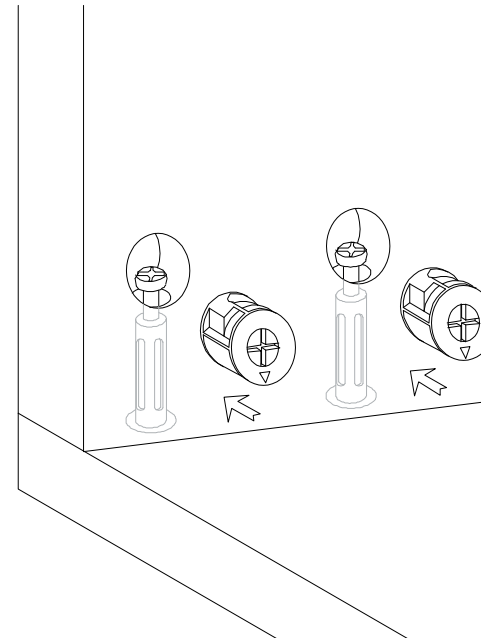
Hardware installation demonstration

NOTE: Please make sure "A" hardware tightened and can't be pulled out!

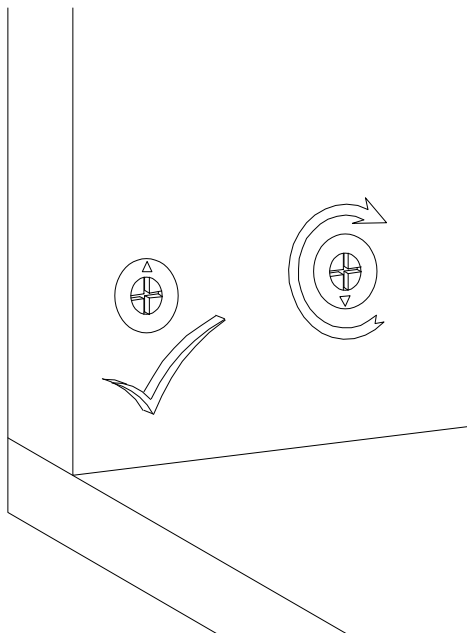
I



II



III

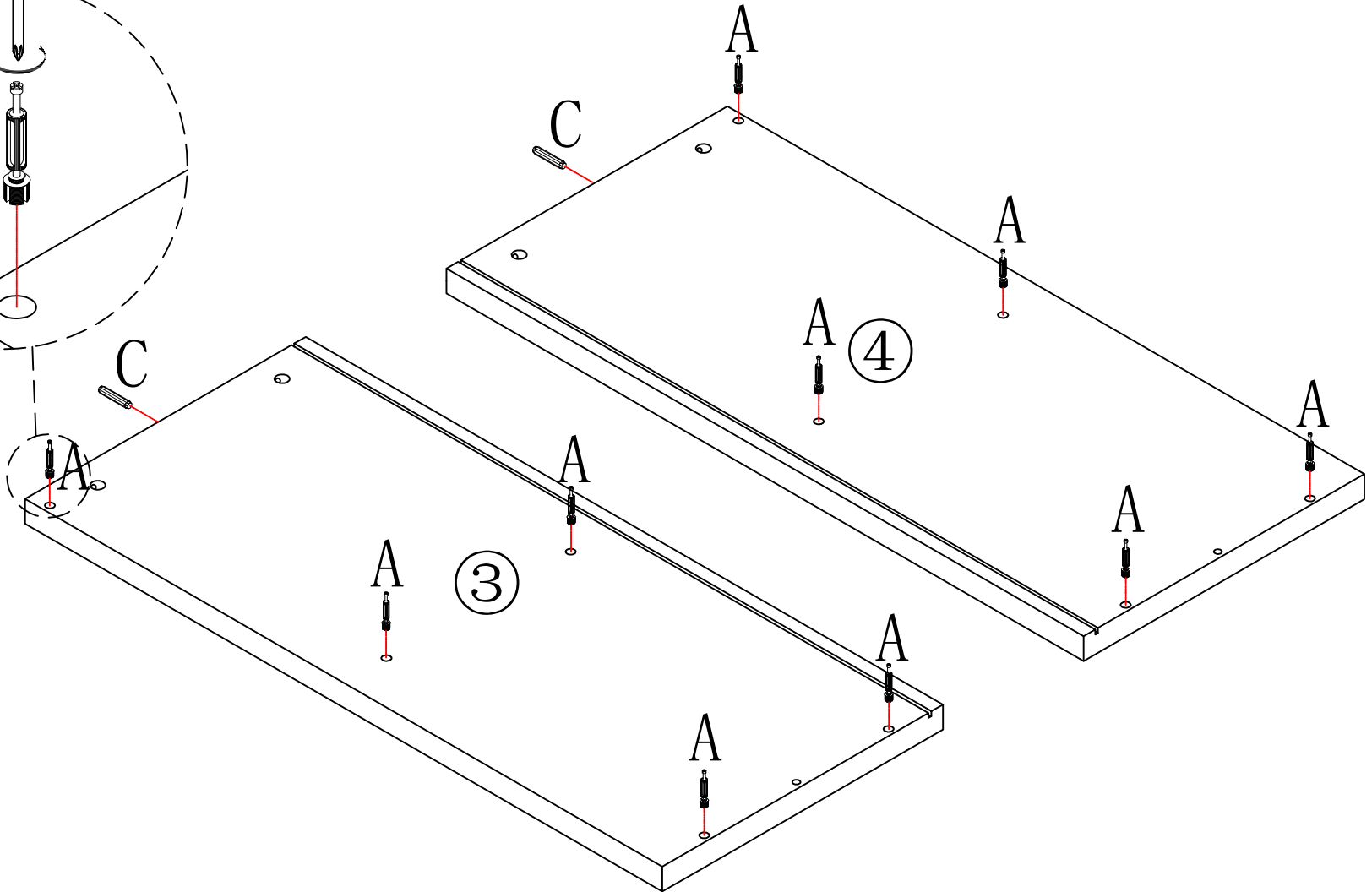
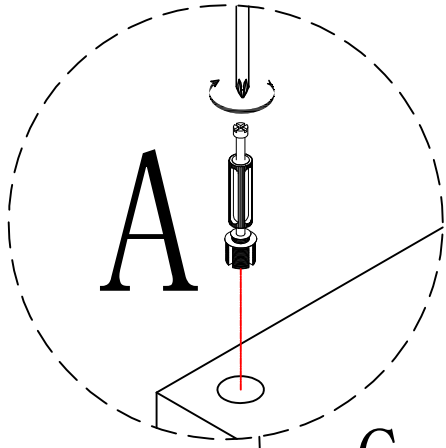



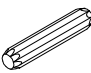
IV



Scan QR code for assembly video

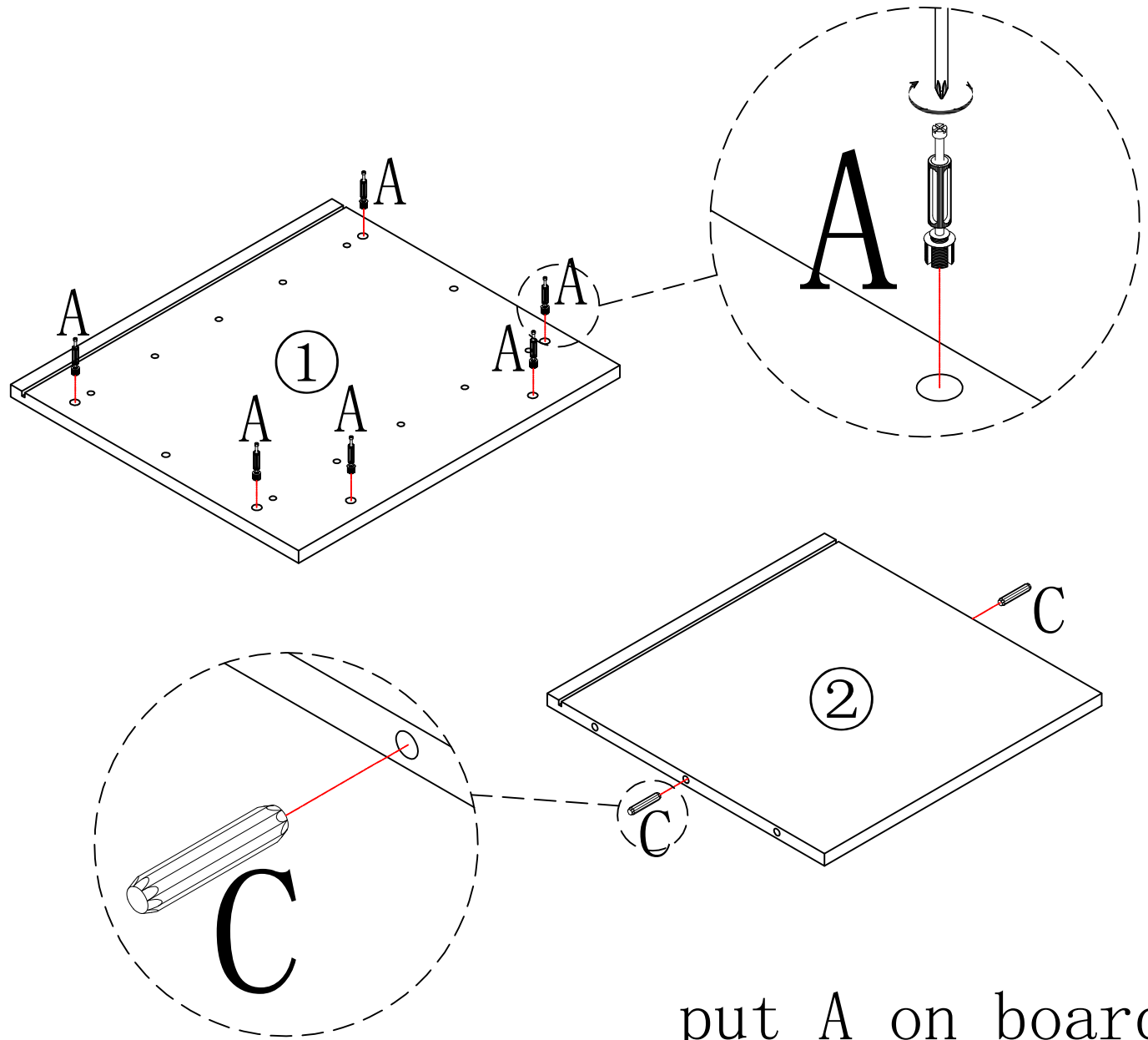
①



	A*10
	C*2


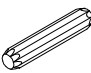
put A on board ③ ④
put C on board ③ ④

2

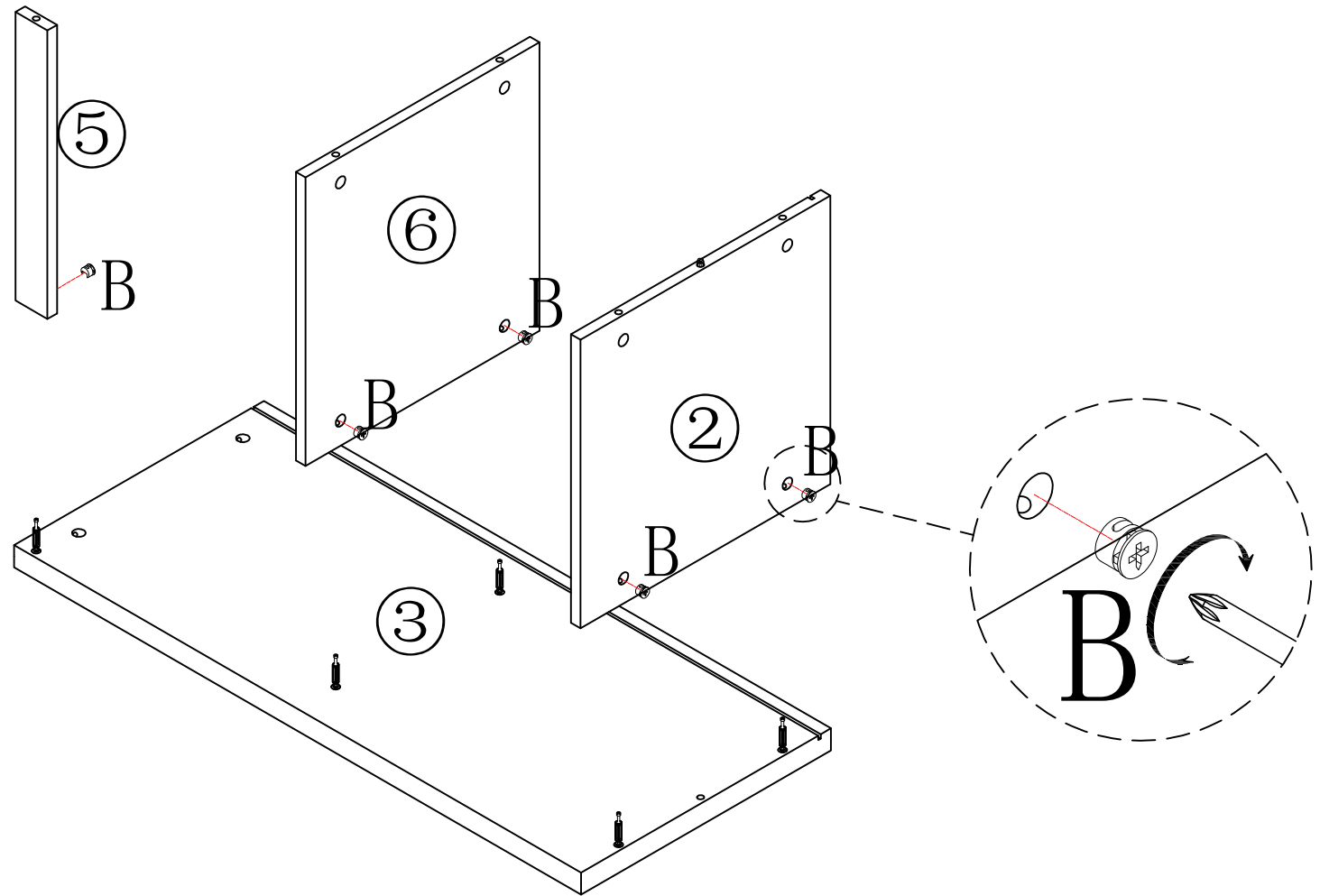


put A on board ①

put C on board ②

	A*6
	C*2

③



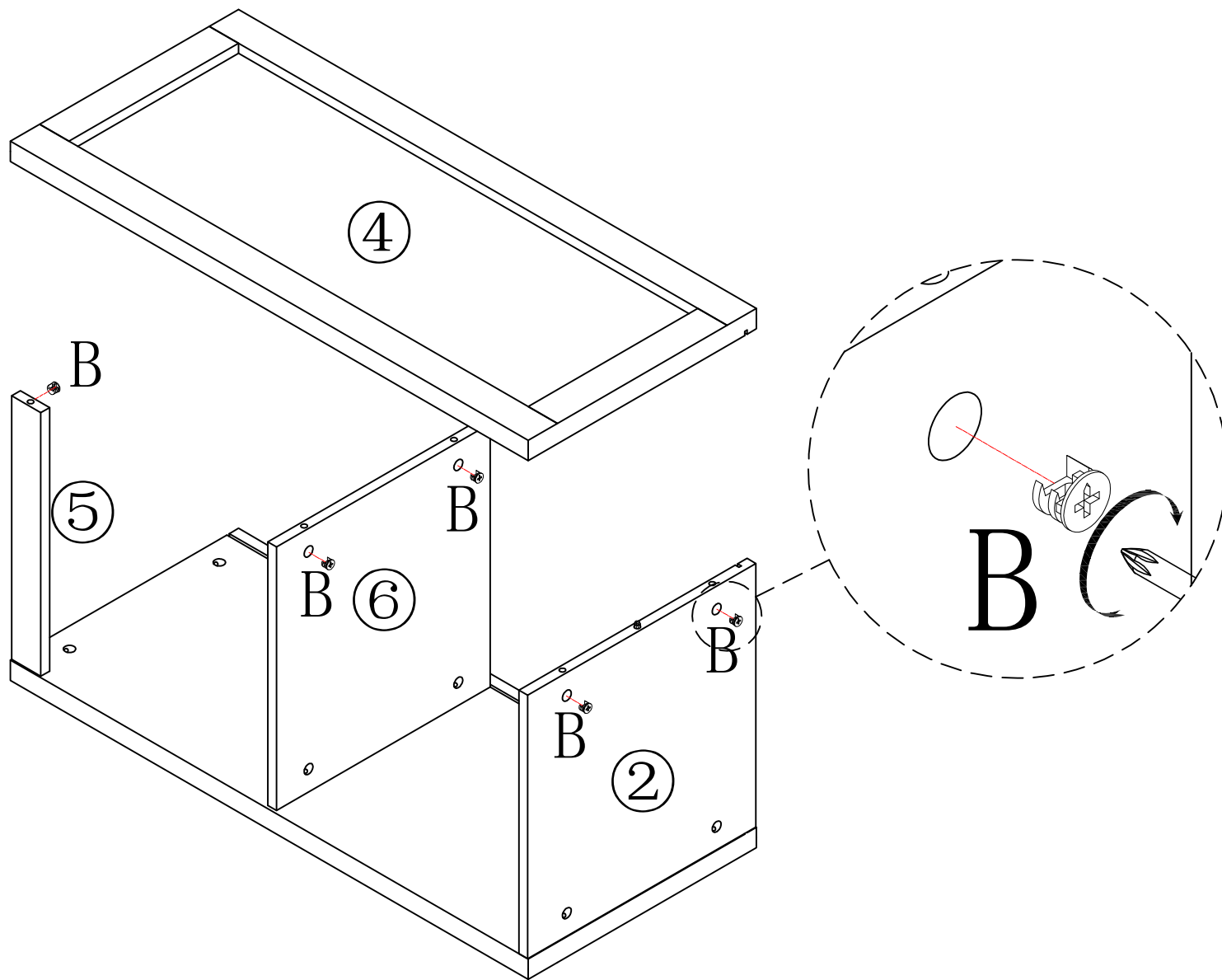
Make sure the arrow on the screw align to the hole on the side.

put B on board ② ⑤ ⑥



B*5

4

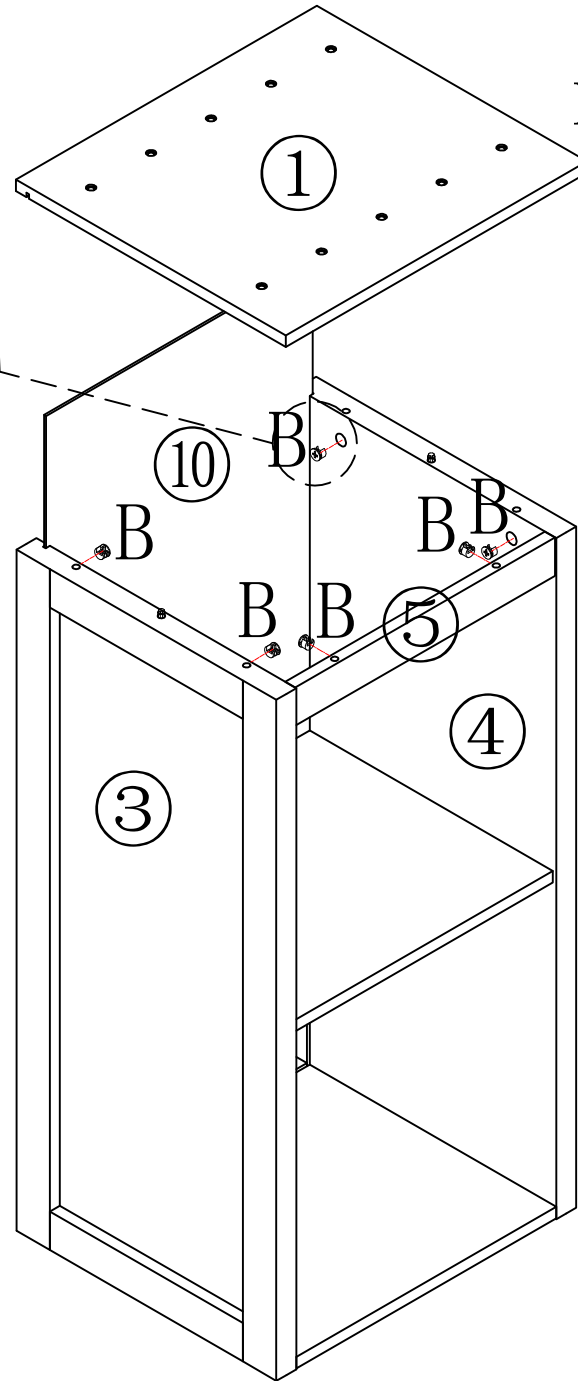
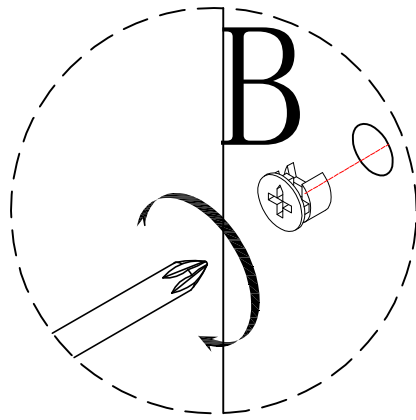


B*5

put B on board ② ⑤ ⑥

5

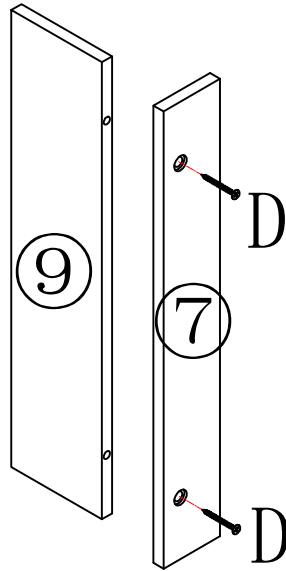
put B on board ③ ④ ⑤



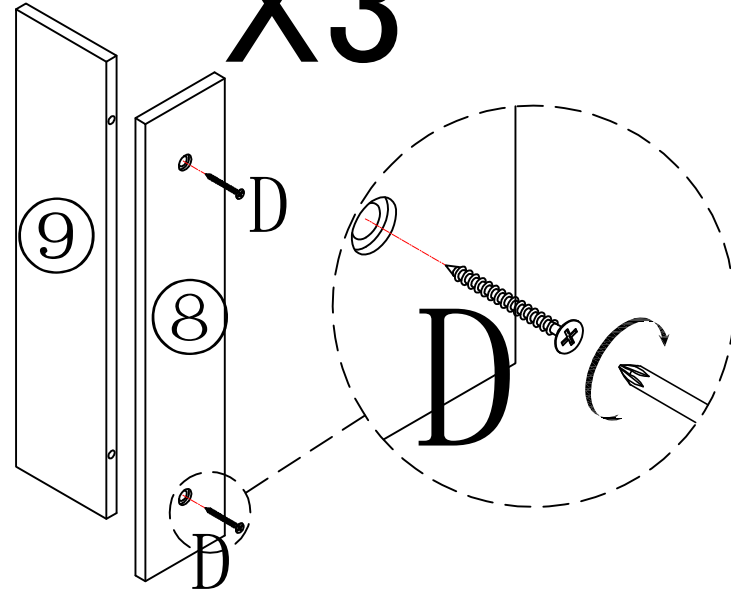
B*6

⑥

X2

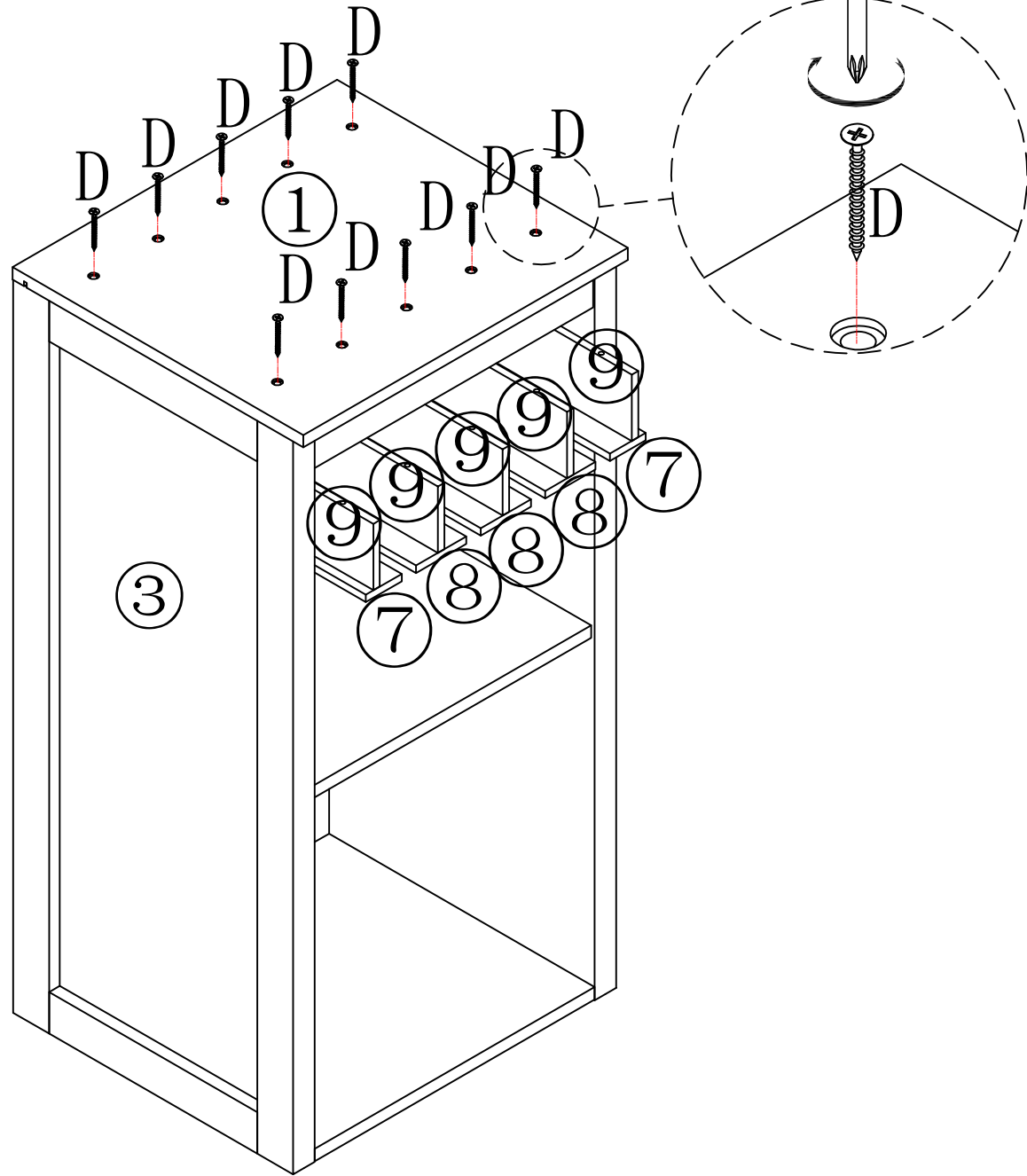


X3



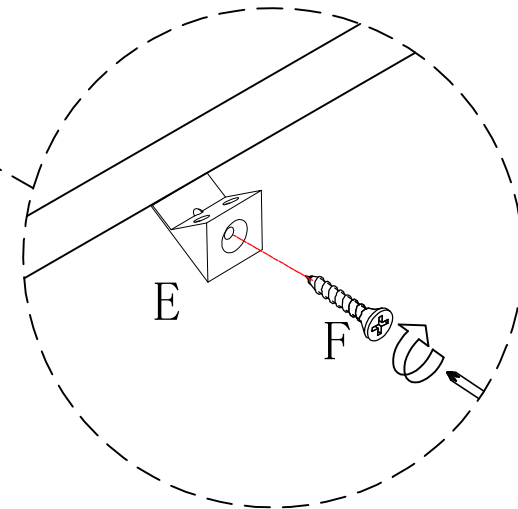
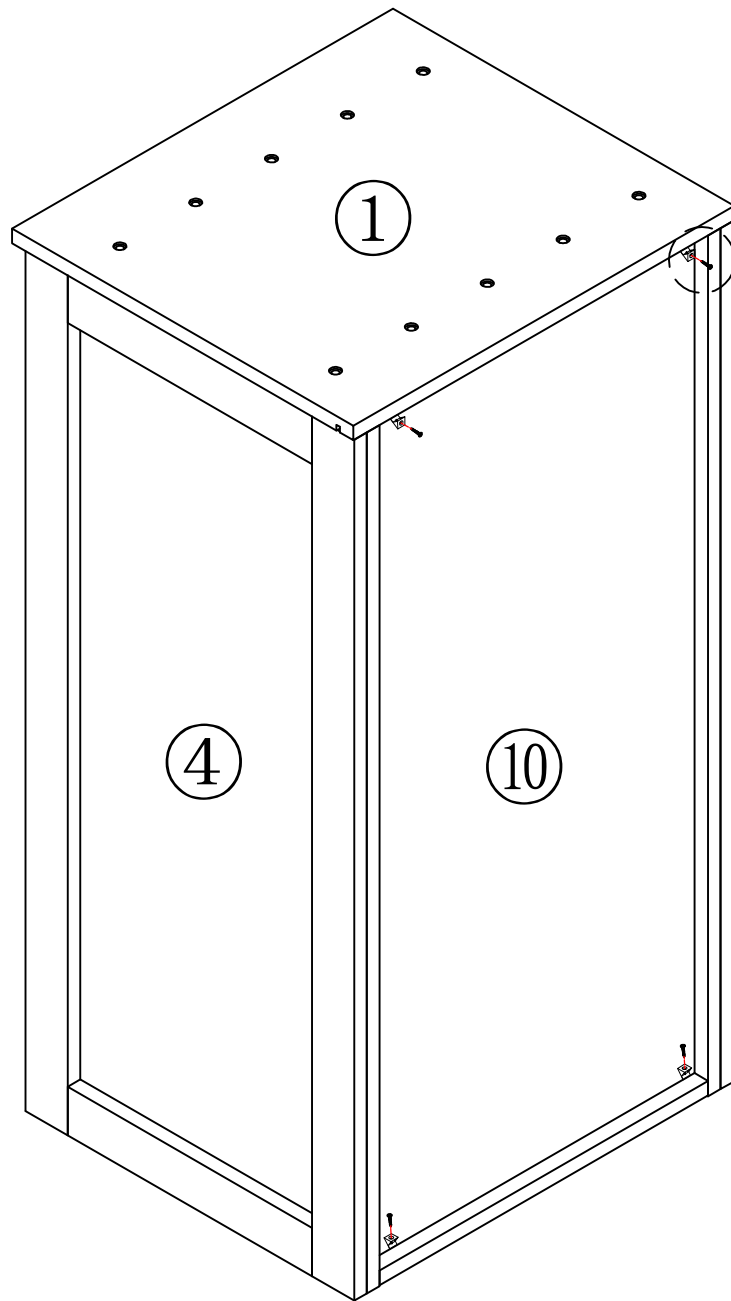
D*10



7



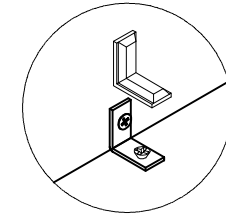
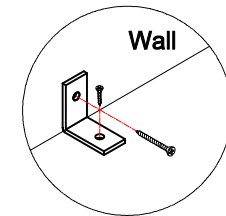
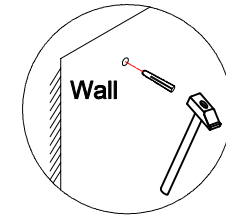
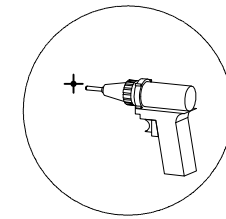
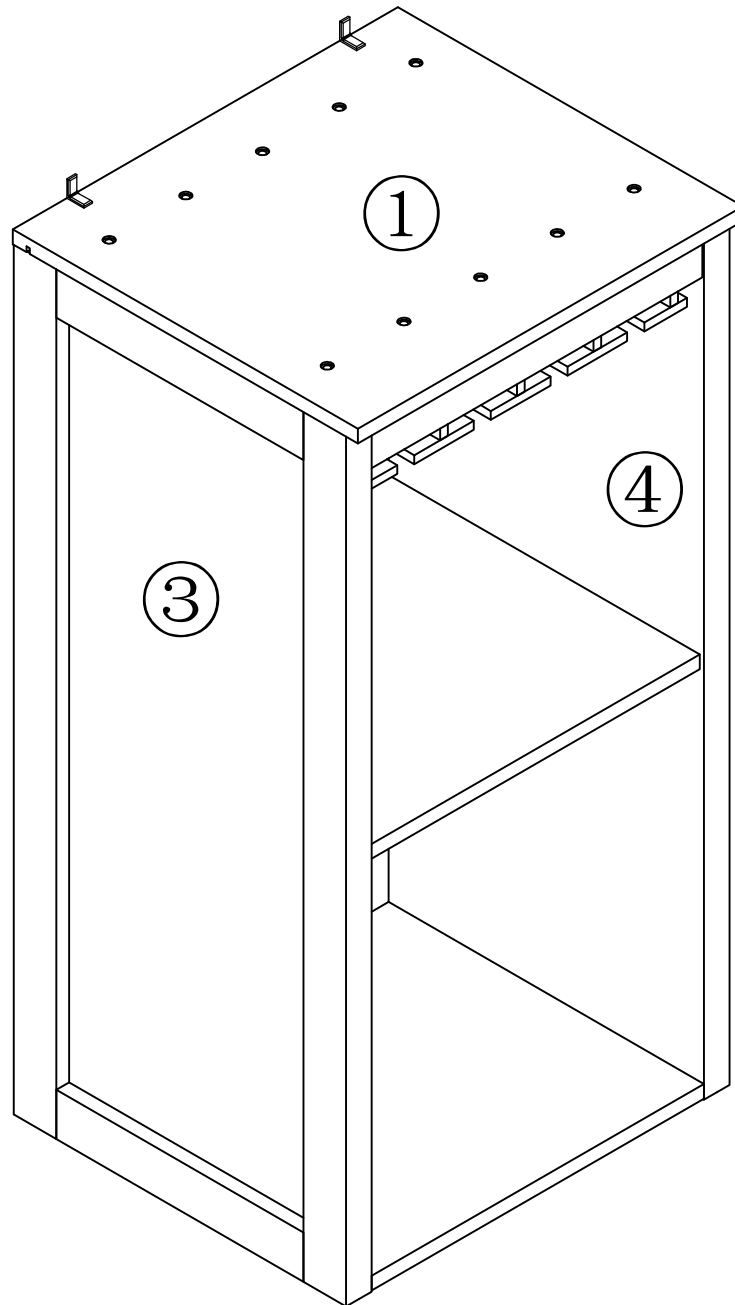
D*10

8

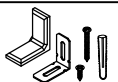


	E*4
	F*4

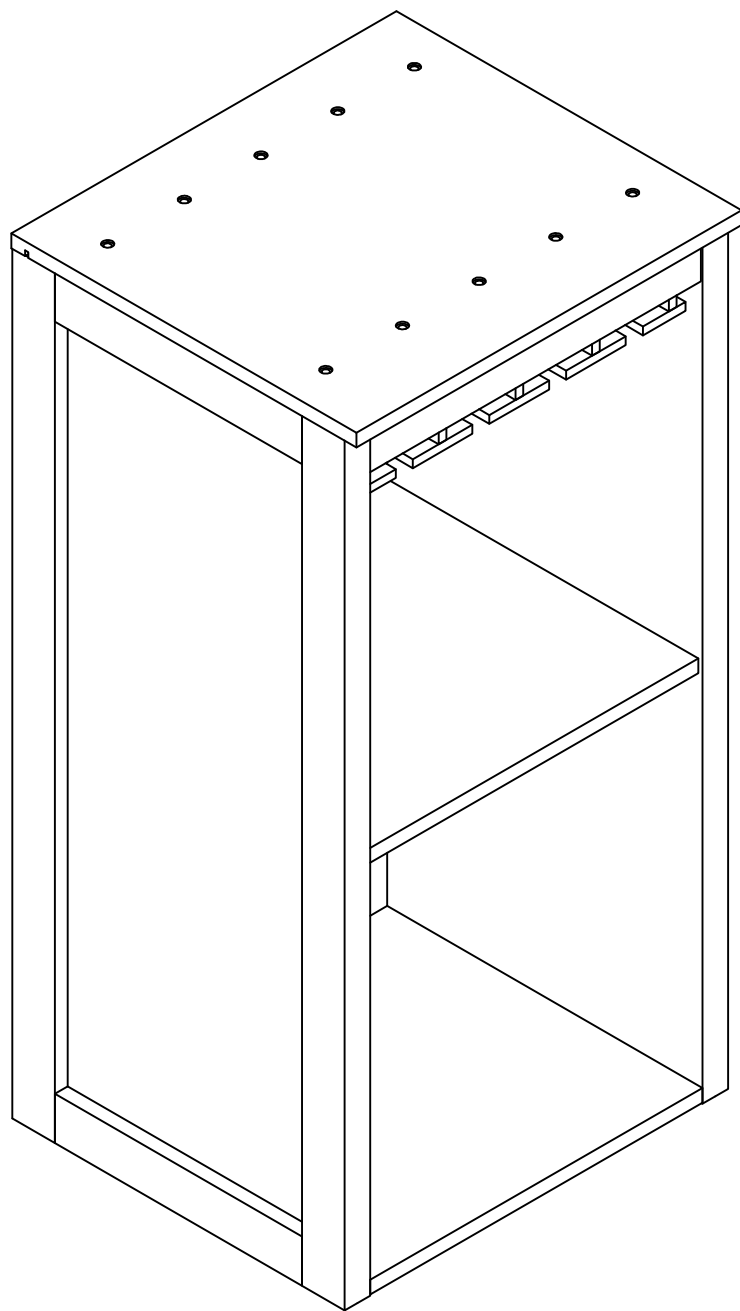
9



Please install tip-proof fitting.



G*2



END