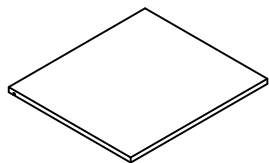
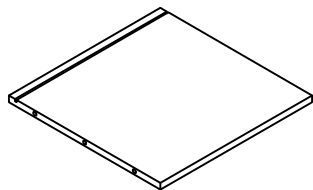


1



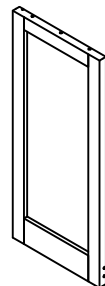
452*405 1PCS

2



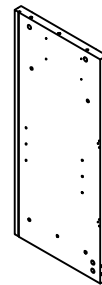
390*390 1PCS

3



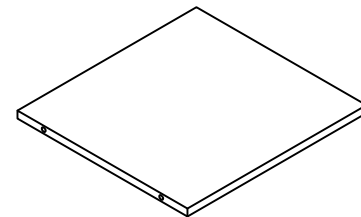
885*390 1PCS

4



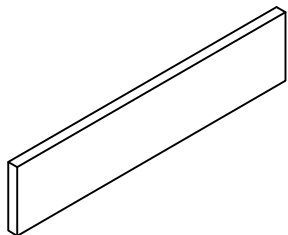
885*390 1PCS

5



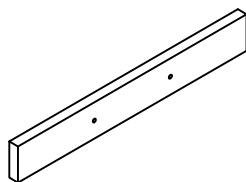
390*370 1PCS

6



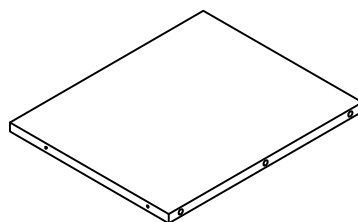
452*100 1PCS

7



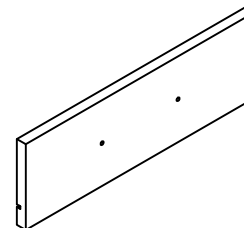
385*53 1PCS

8



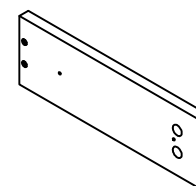
365*300 1PCS

9



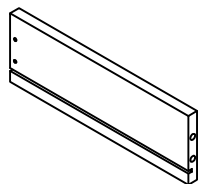
385*125 1PCS

10



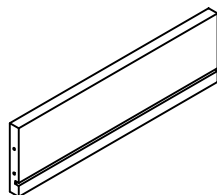
300*100 1PCS

11



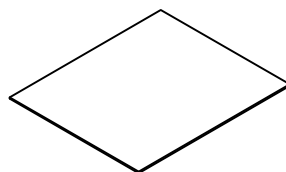
300*100 1PCS

12



335*100 1PCS

13



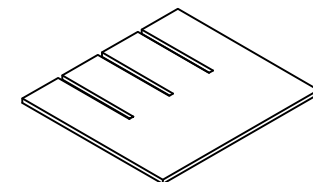
345*294 1PCS

14



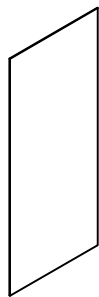
582*350 3PCS

15



387*350 7PCS

16



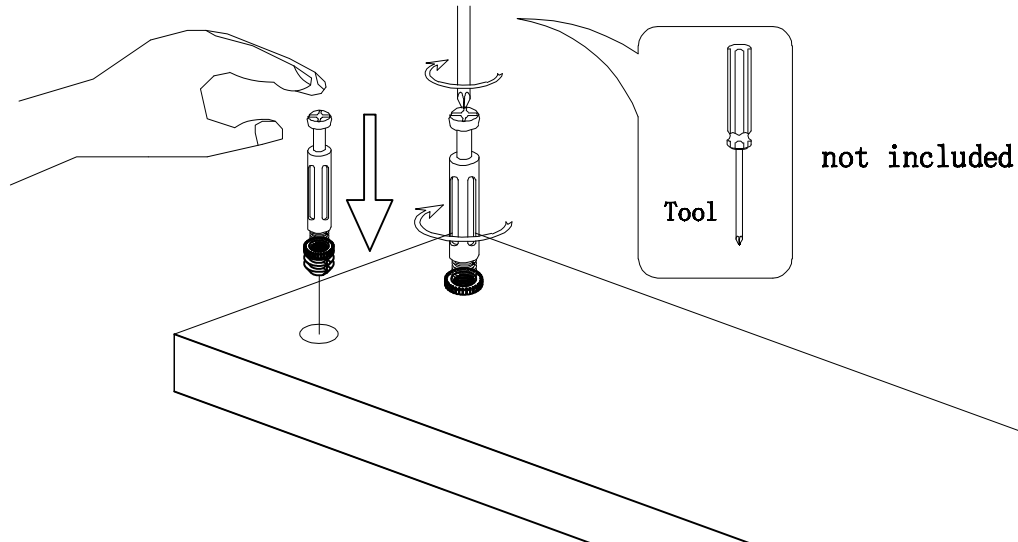
879*400 1PCS



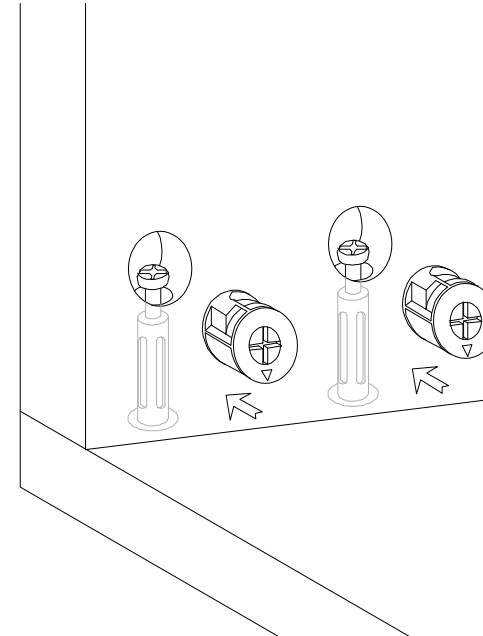
Hardware installation demonstration

NOTE: Please make sure "A" hardware tightened and can't be pulled out!

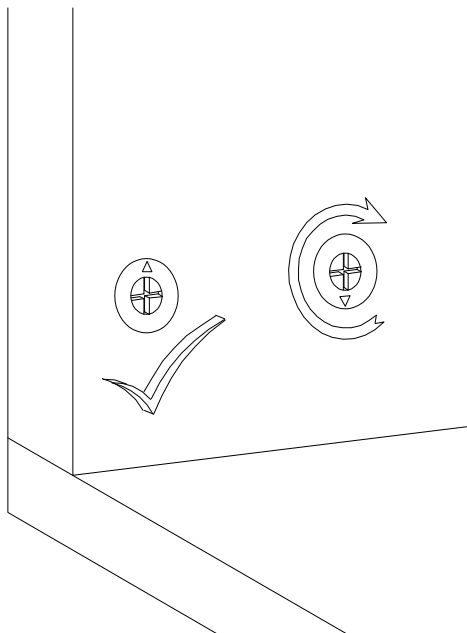
I



II



III

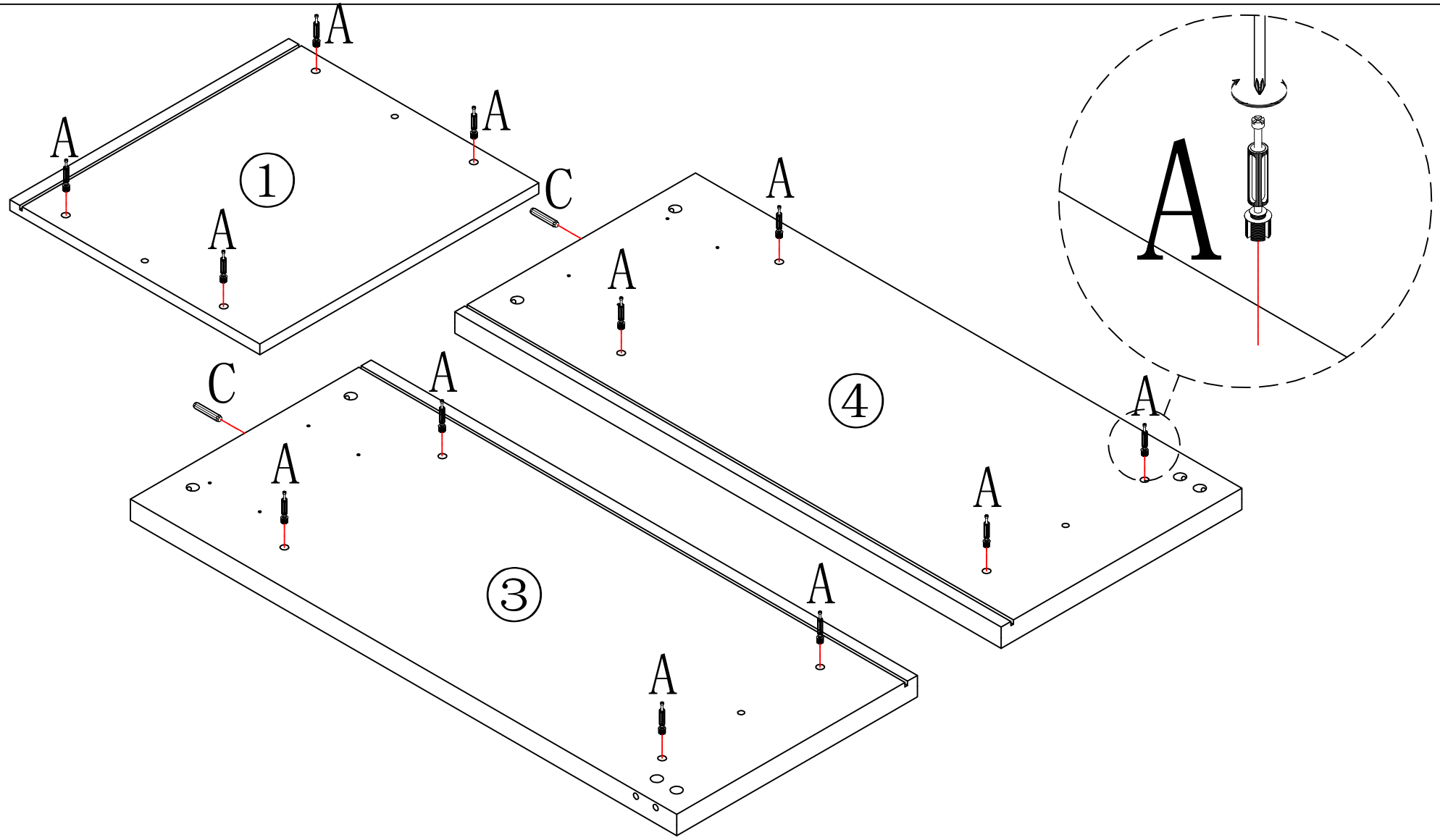



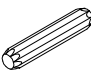
IV



Scan QR code for assembly video

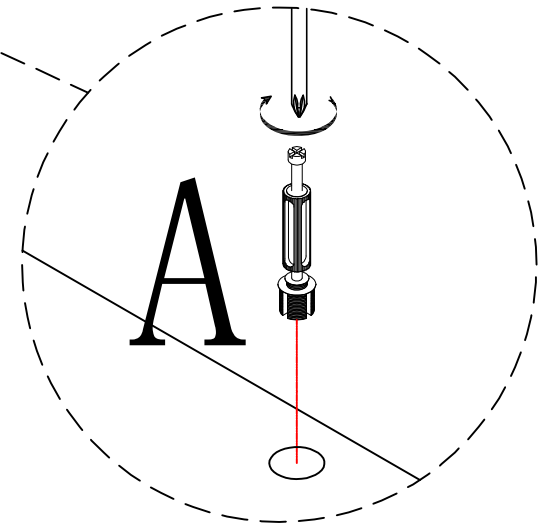
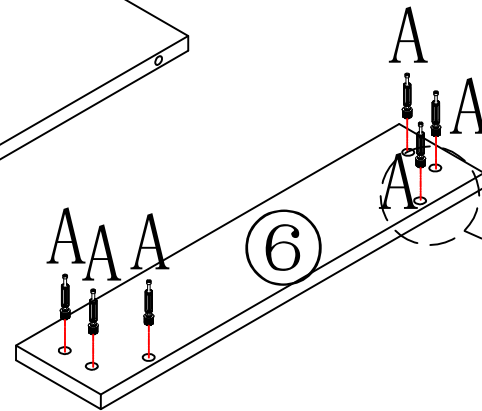
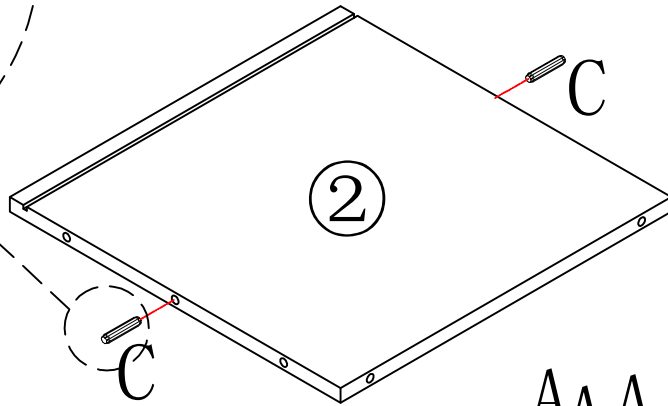
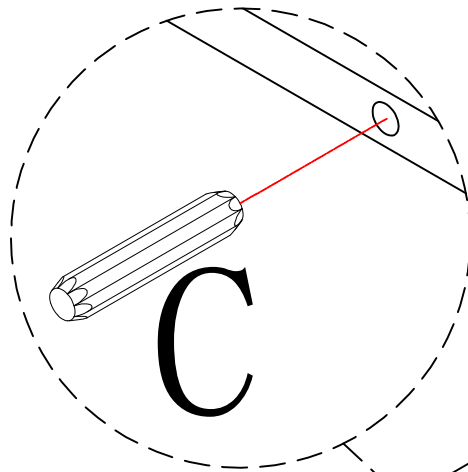
①



	A*12
	C*2


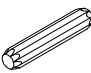
put A on board ① ③ ④
 put C on board ③ ④

②

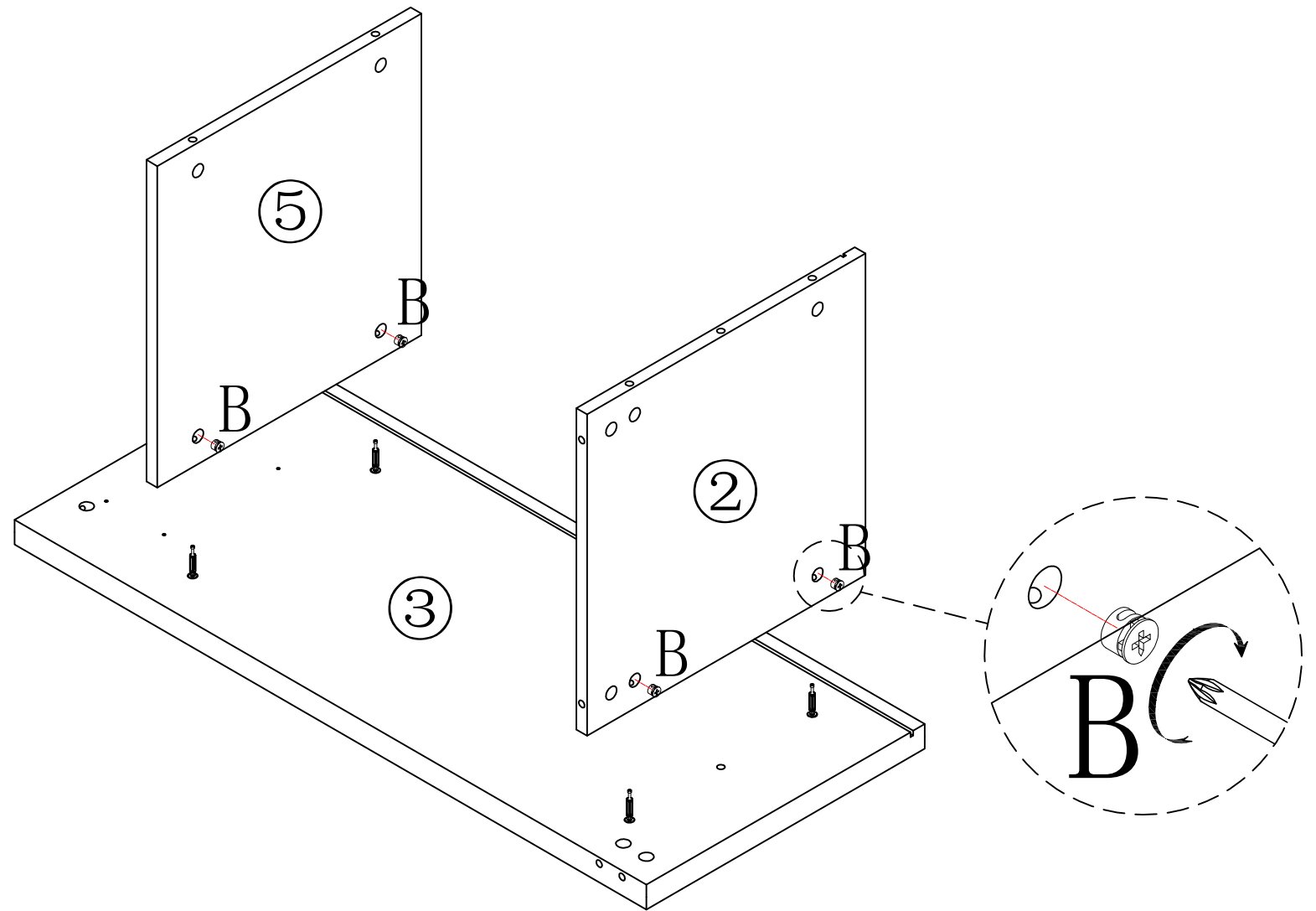


put A on board ⑥

put C on board ②

	A*6
	C*2

③



Make sure the arrow on the screw align to the hole on the side.

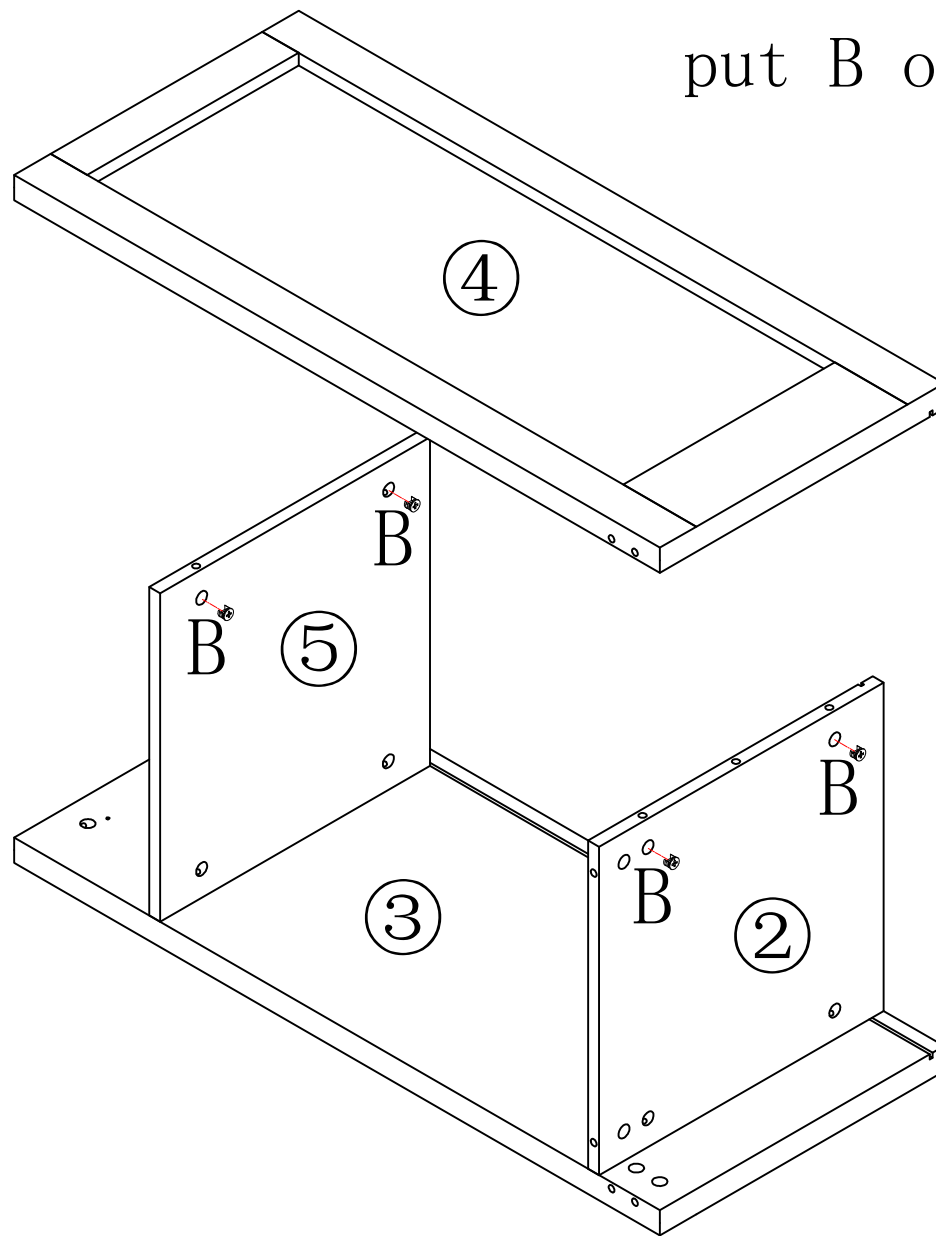
put B on board ② ⑤



B*4

④

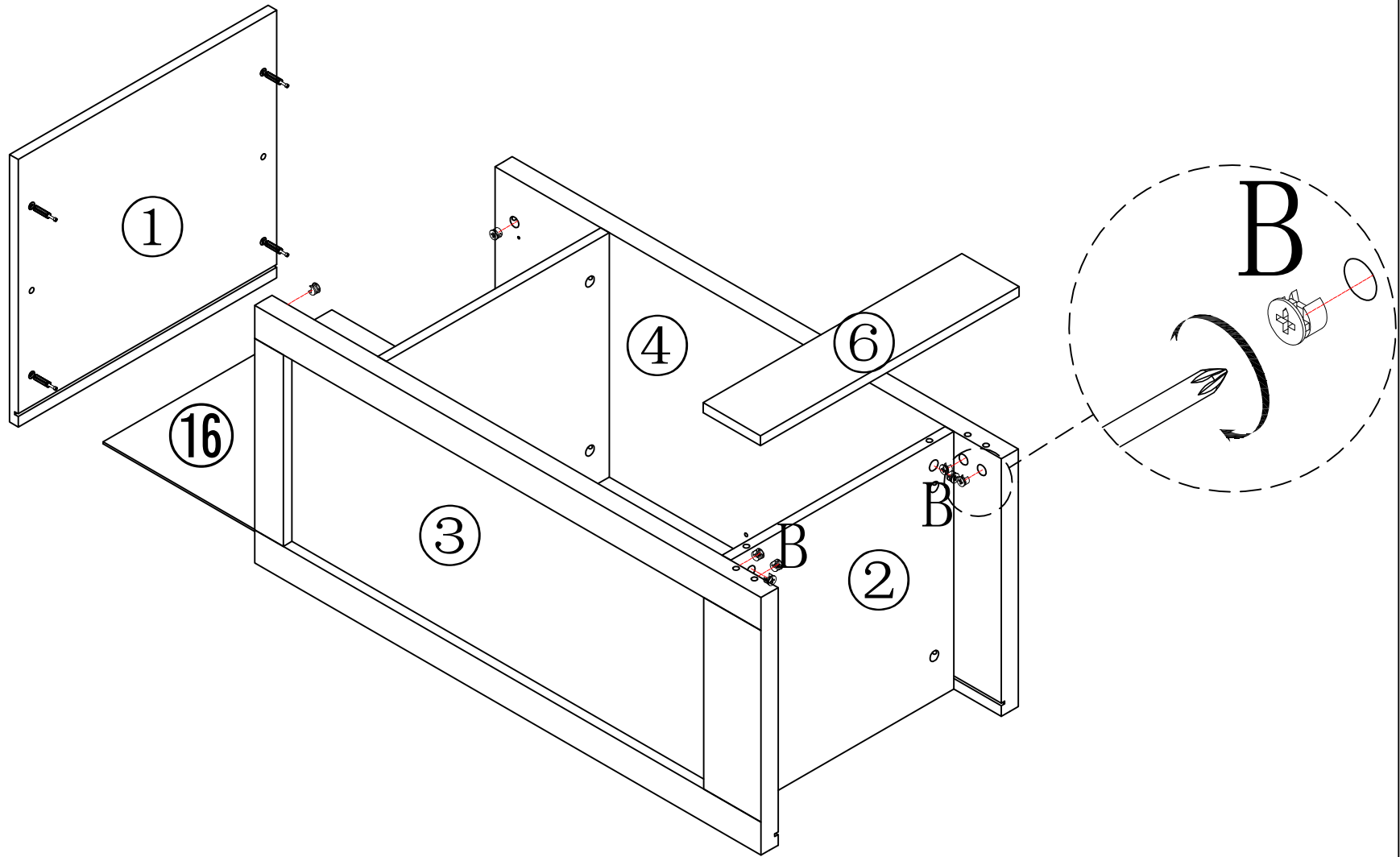
put B on board ② ⑤



B*4

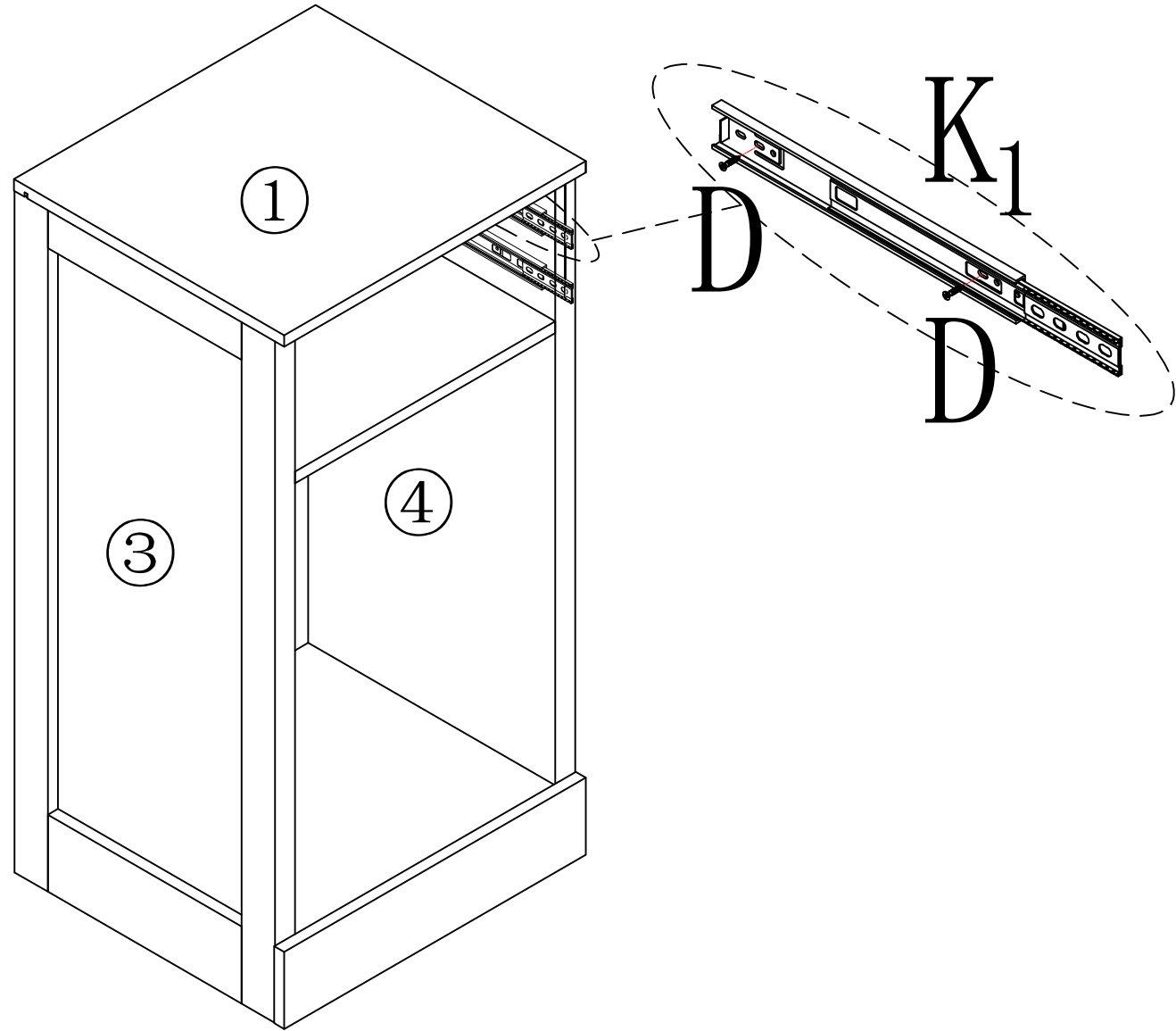
5

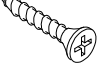

put B on board ② ③ ④



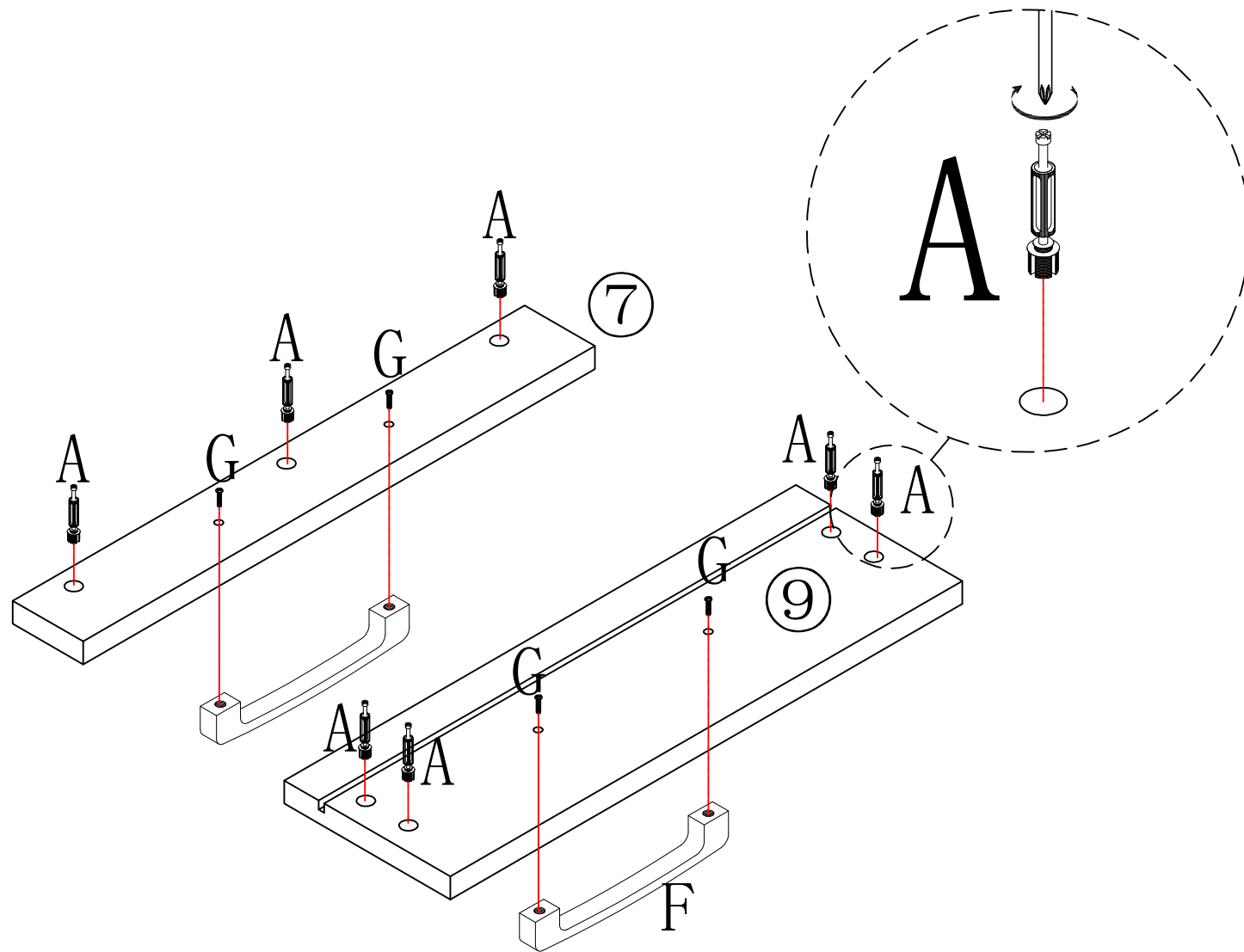
B*10


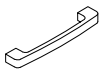

⑥



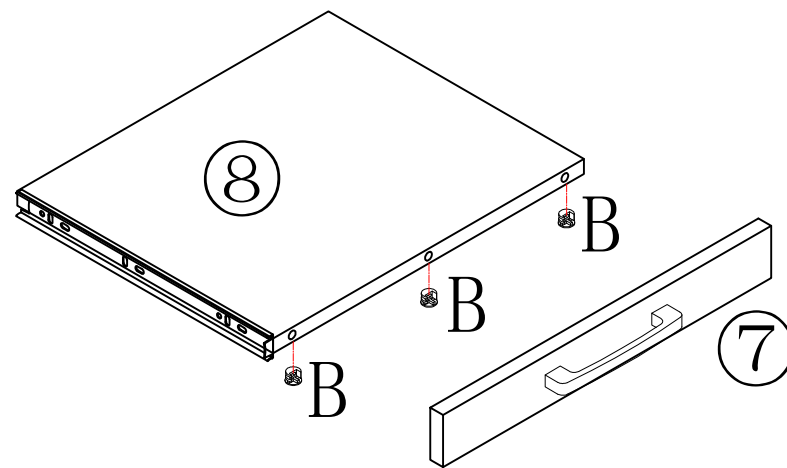
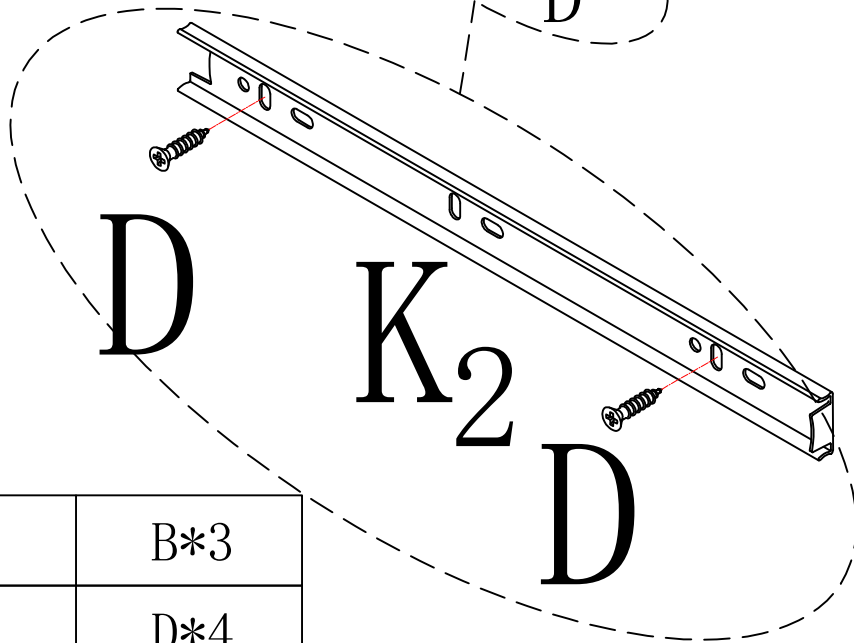
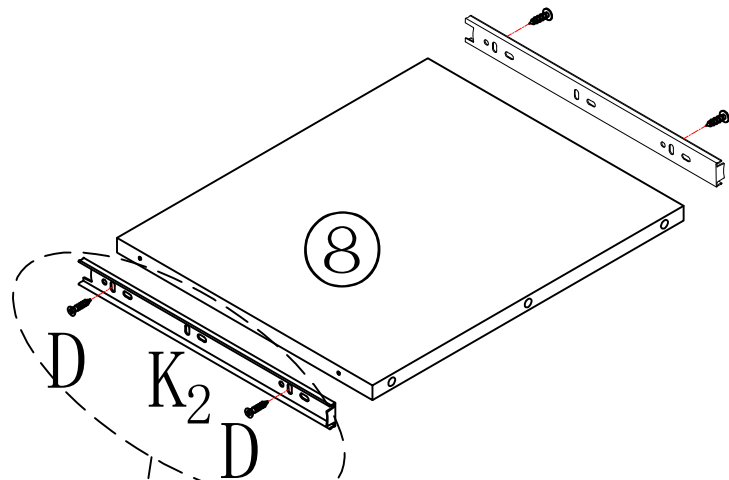
	D*8
	K ₁ *4

7






	A*7
	F*2
	G*4

8

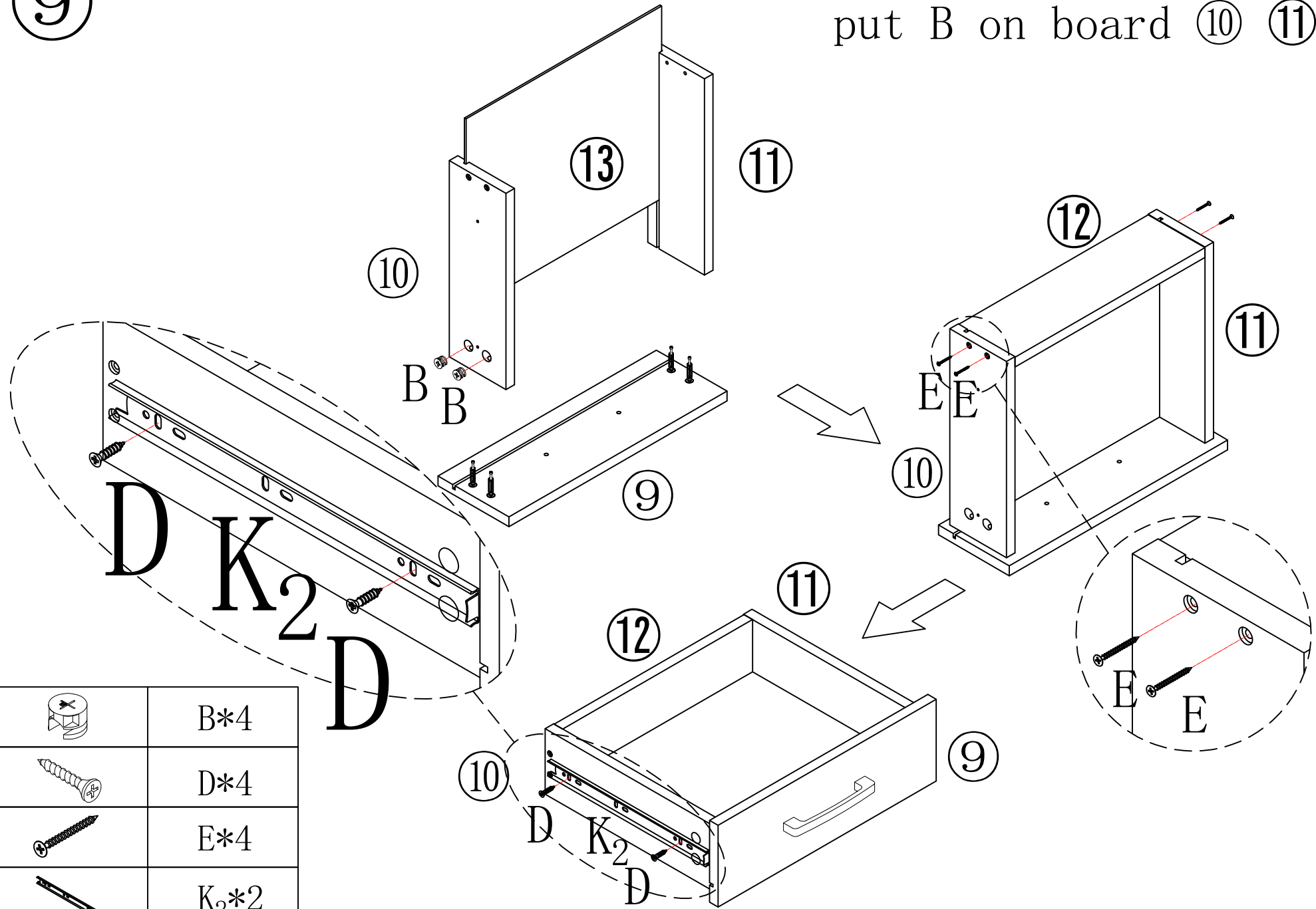



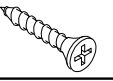
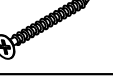

put B on board ⑧

	B*3
	D*4
	K ₂ *2

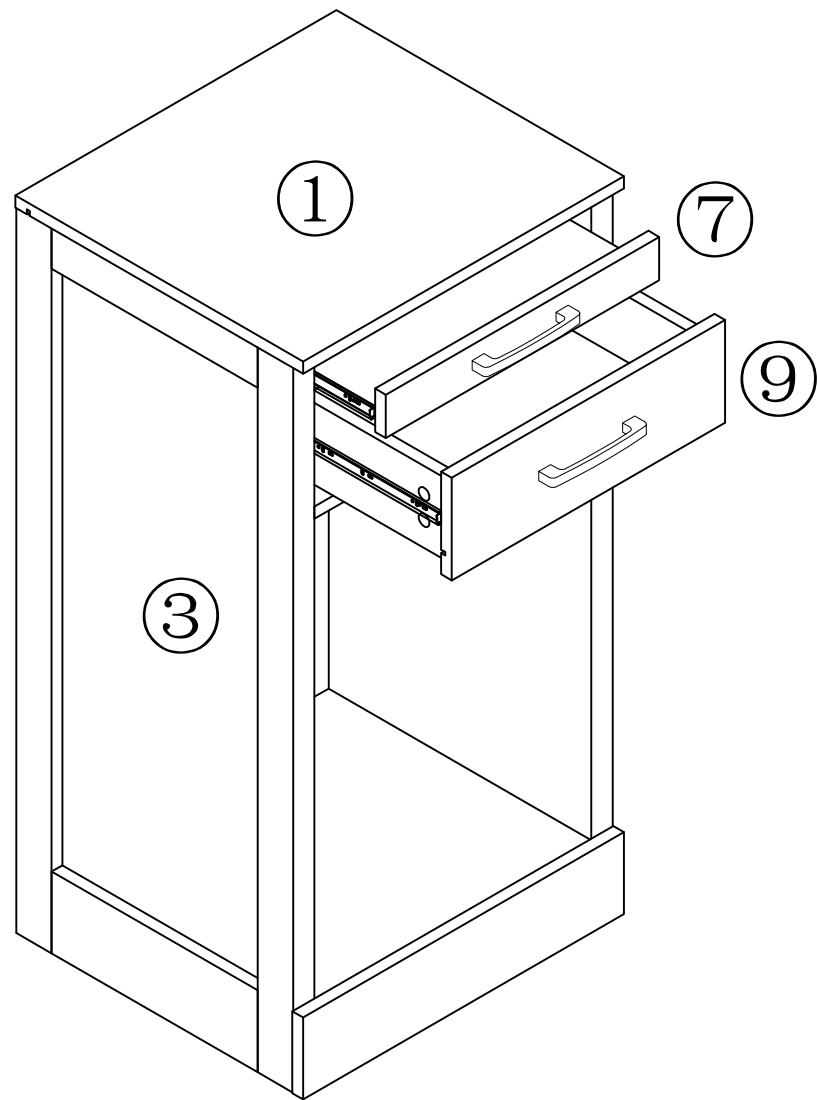
9

put B on board 10 11

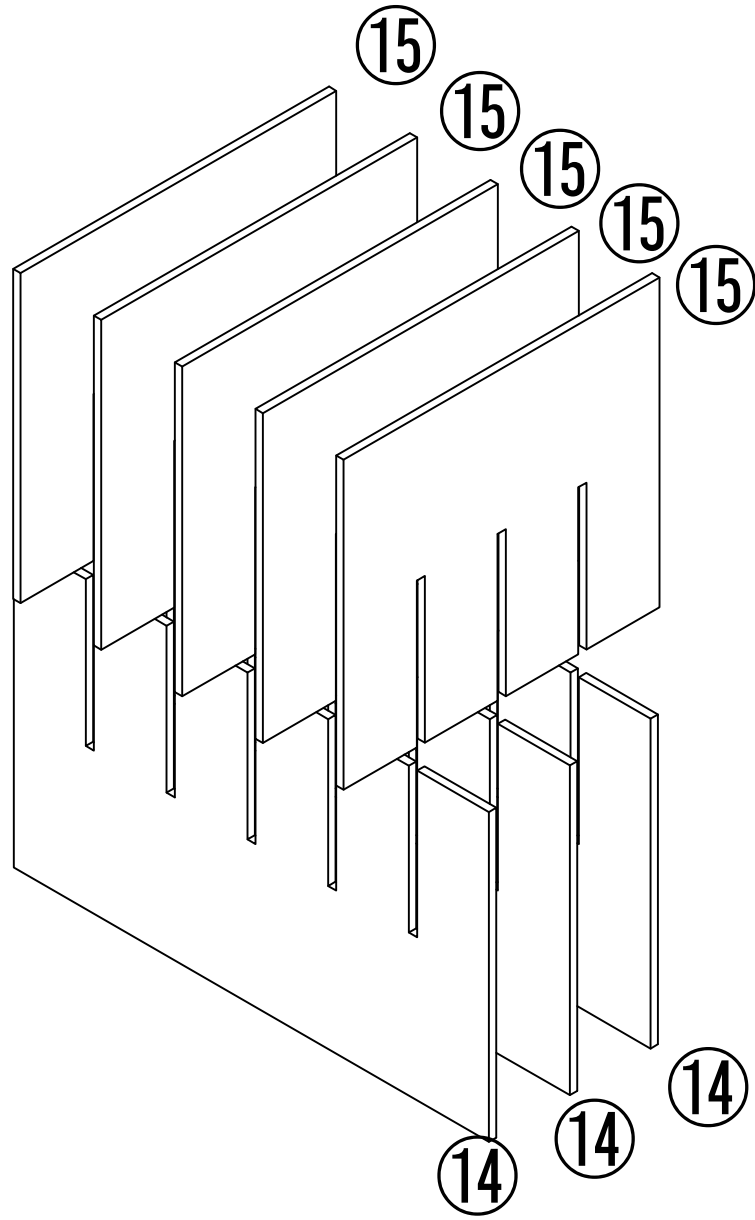


	B*4
	D*4
	E*4
	K ₂ *2

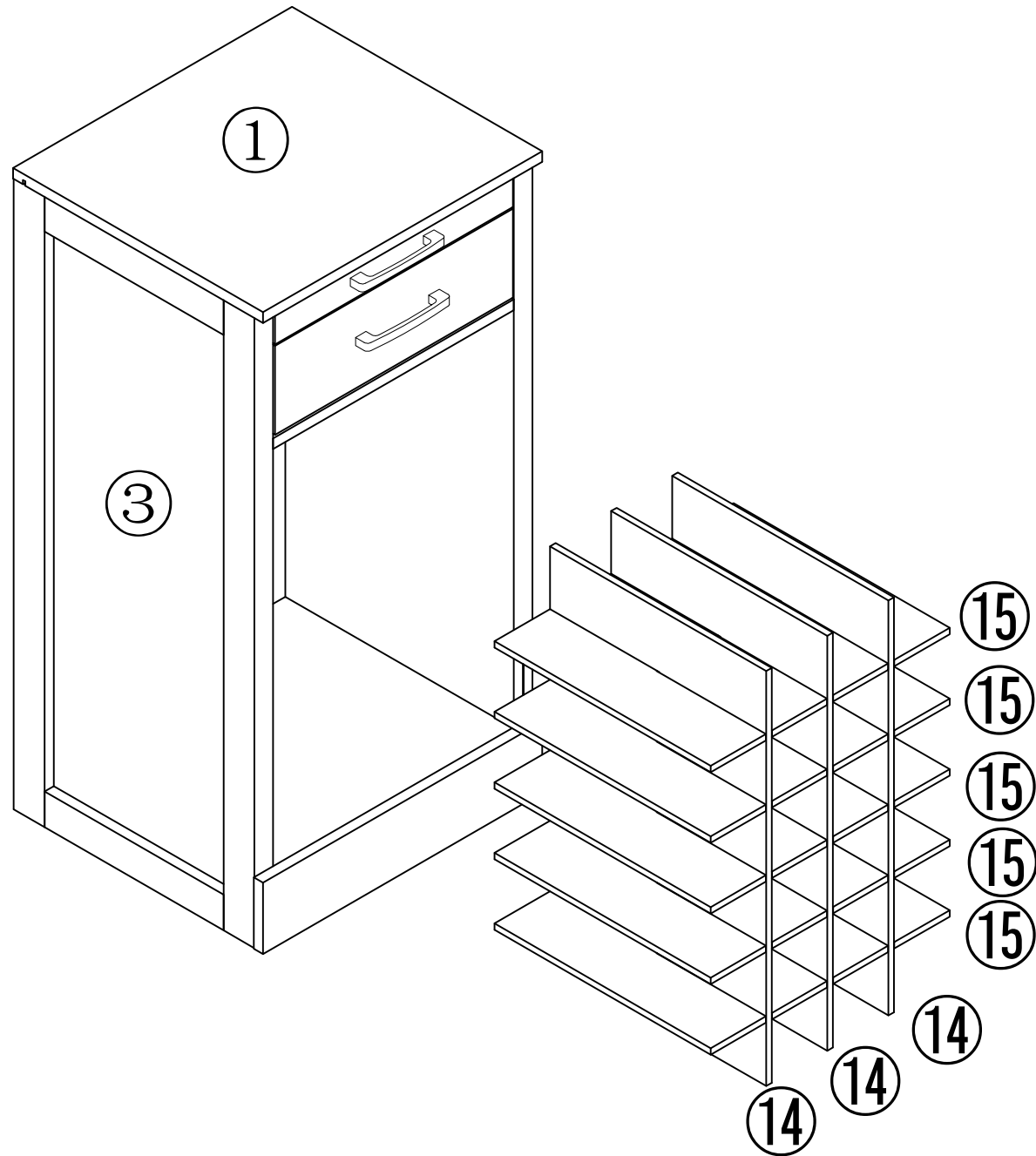
10



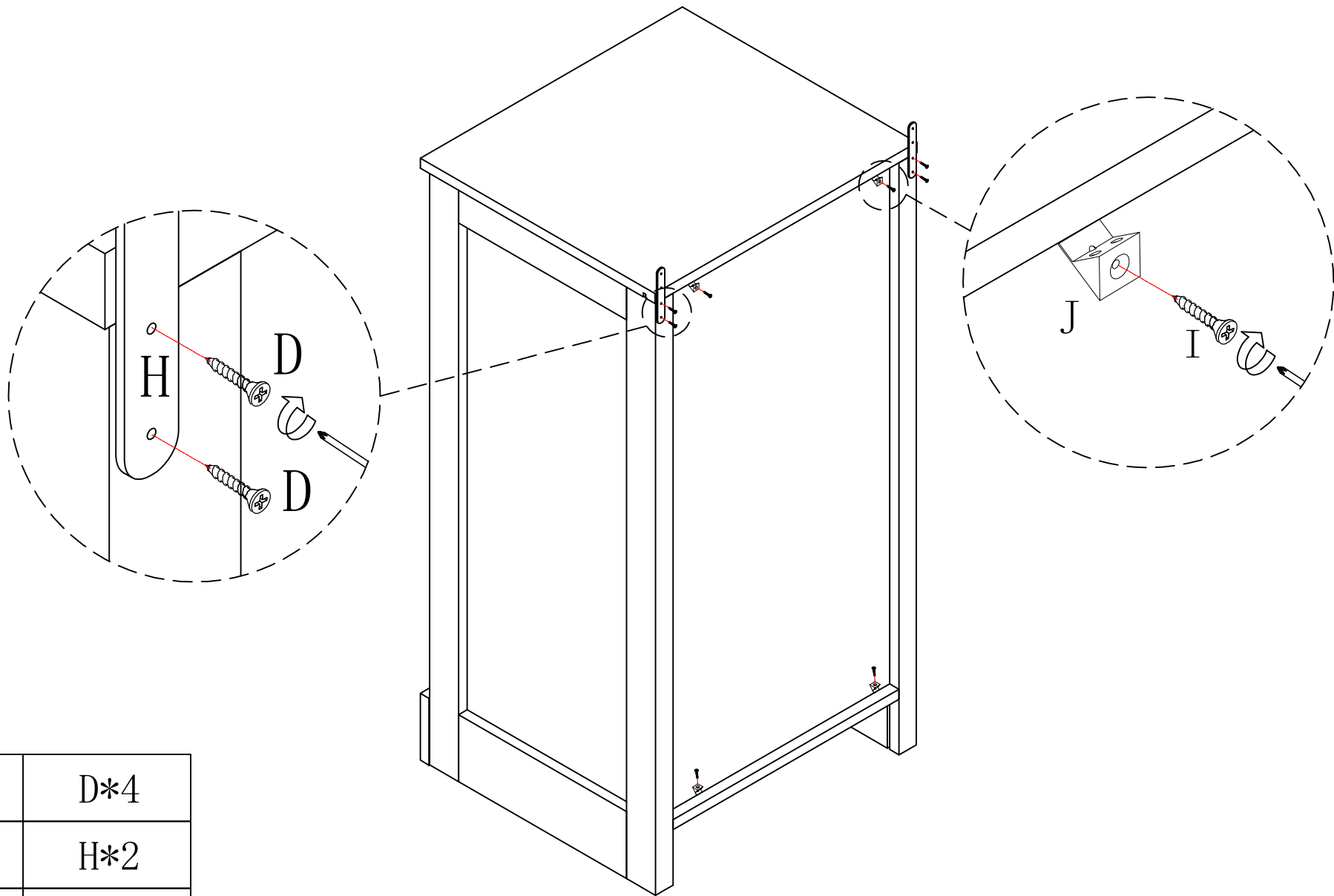
11




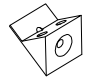


12

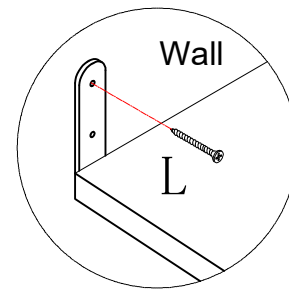
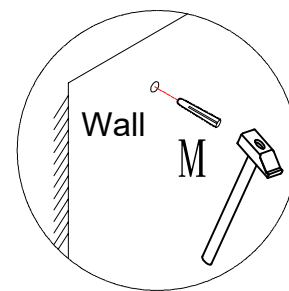
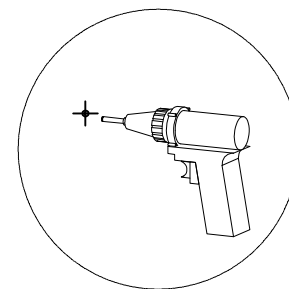
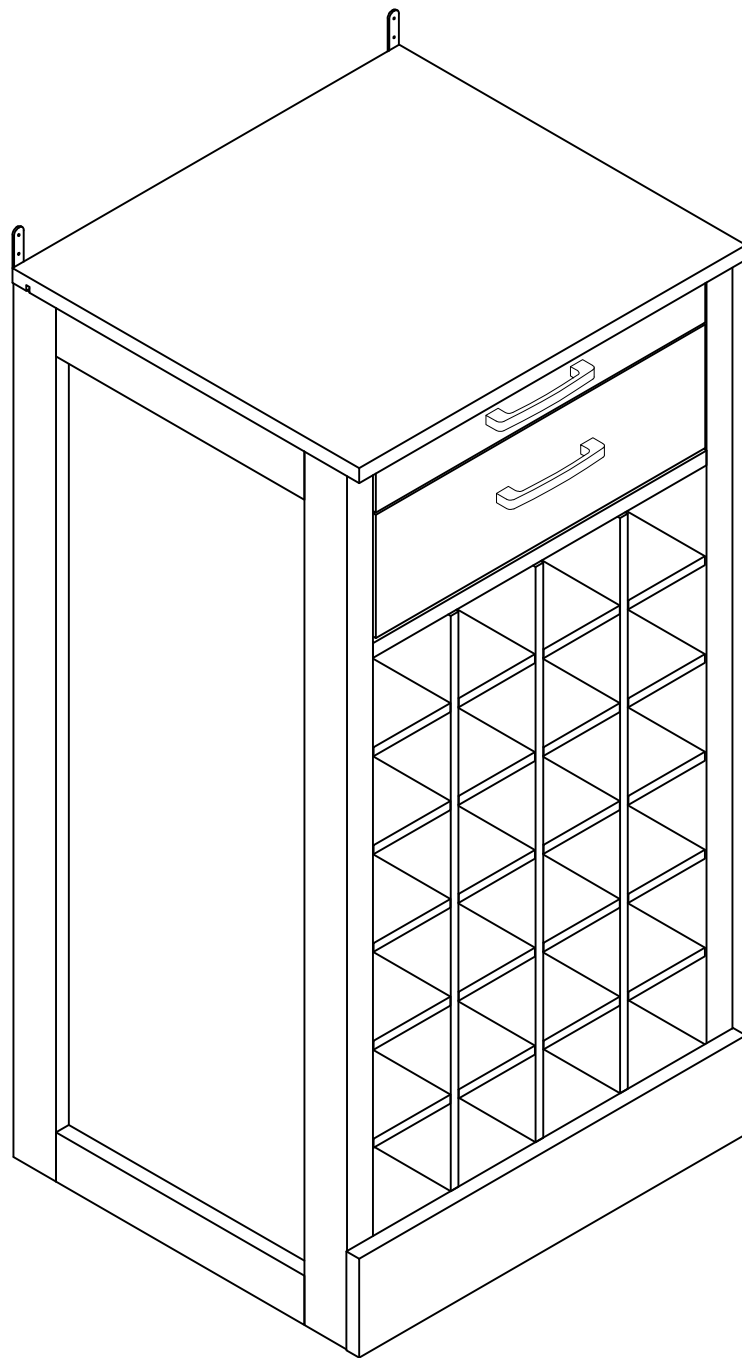




13



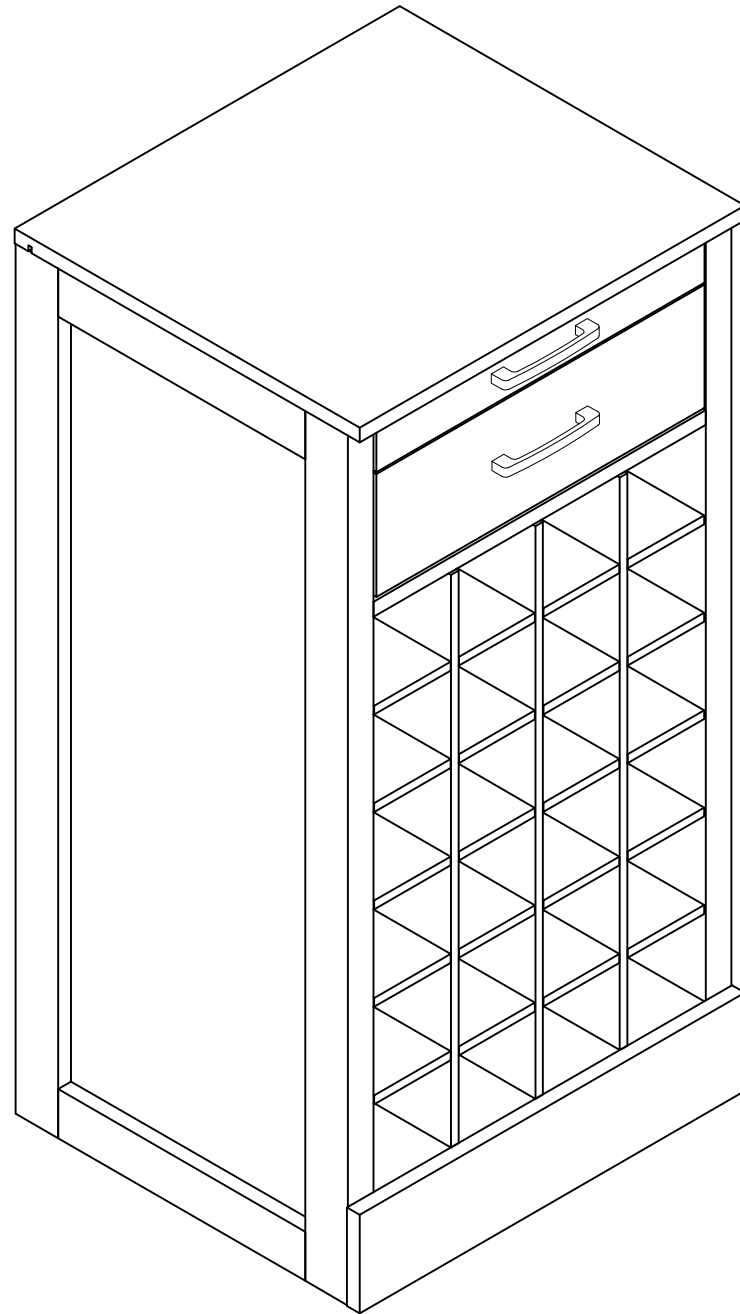
	D*4
	H*2
	I*4
	J*4

14

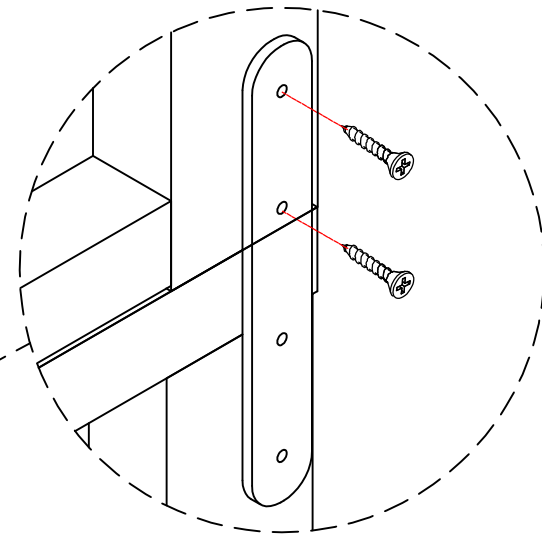
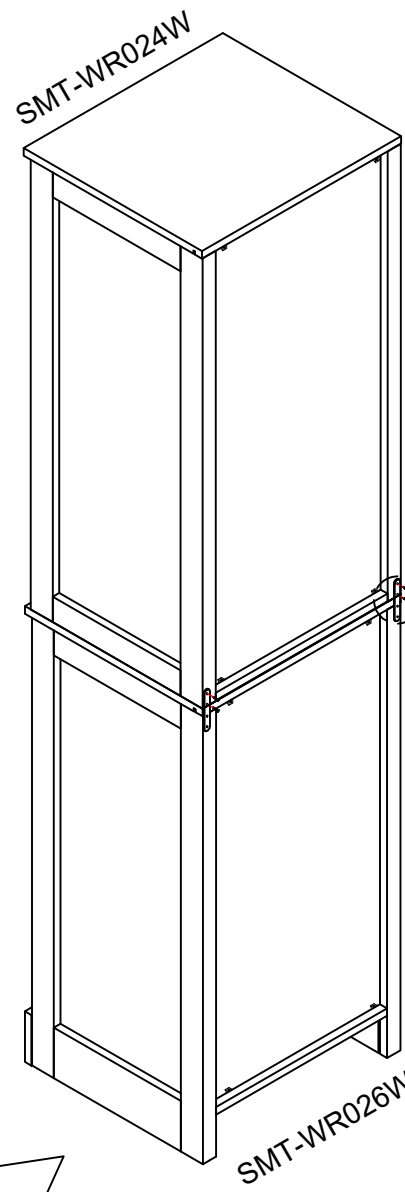
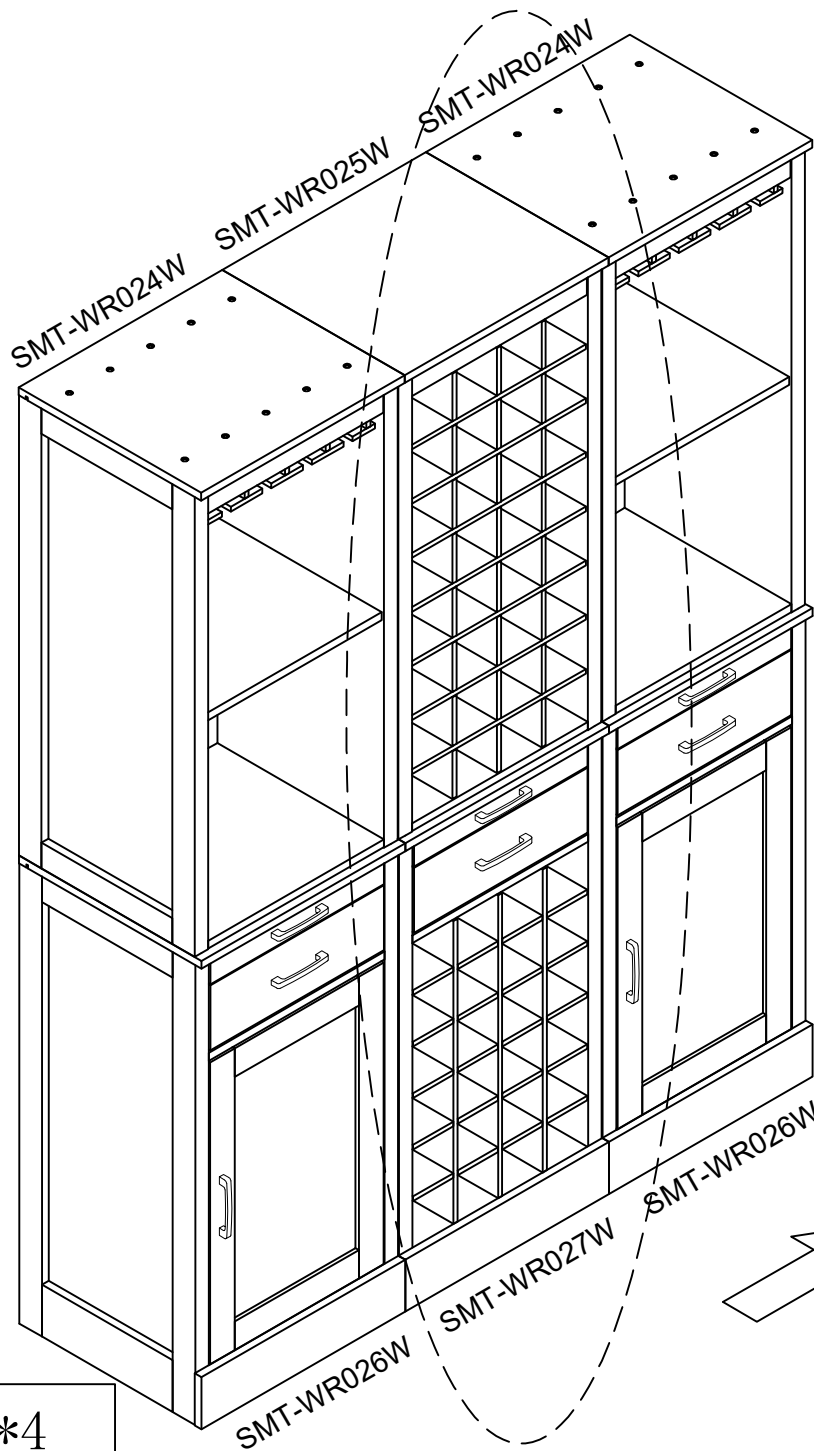


	L*2
	M*2

Please install tip-proof fitting.



END



D*4