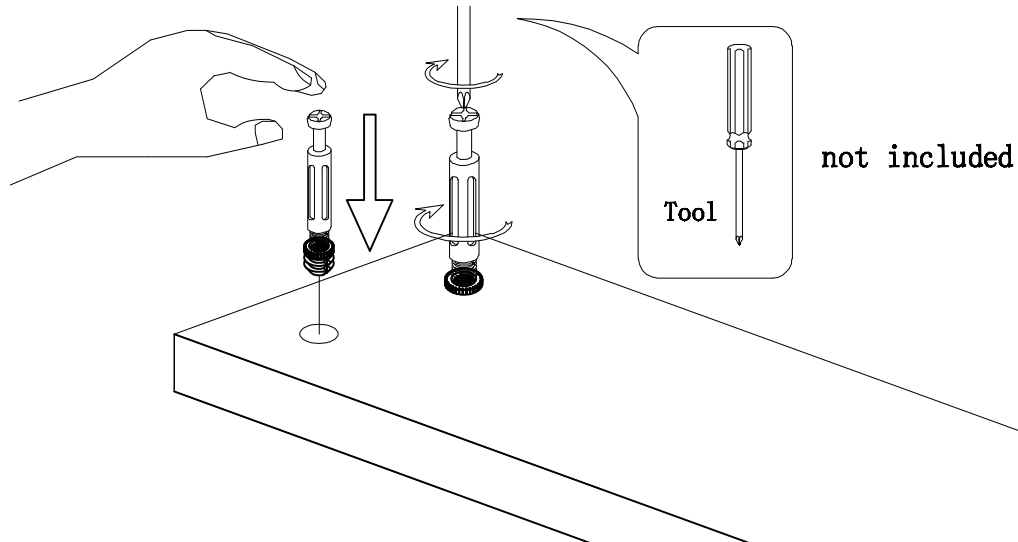




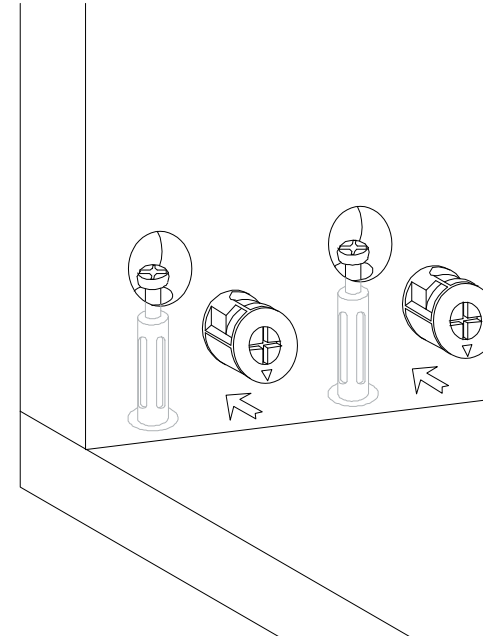
Hardware installation demonstration

NOTE: Please make sure "A" hardware tightened and can't be pulled out!

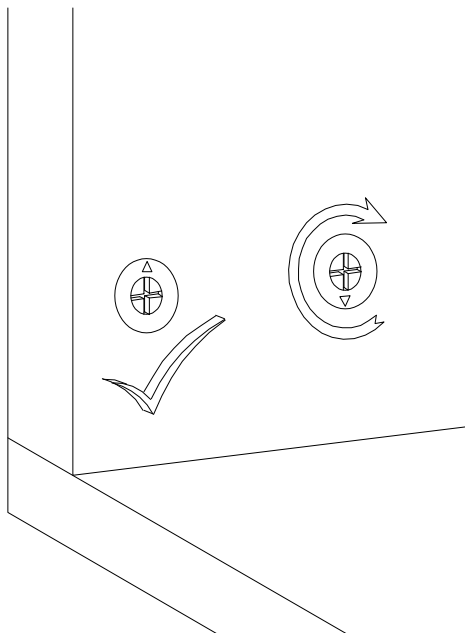
I



II



III

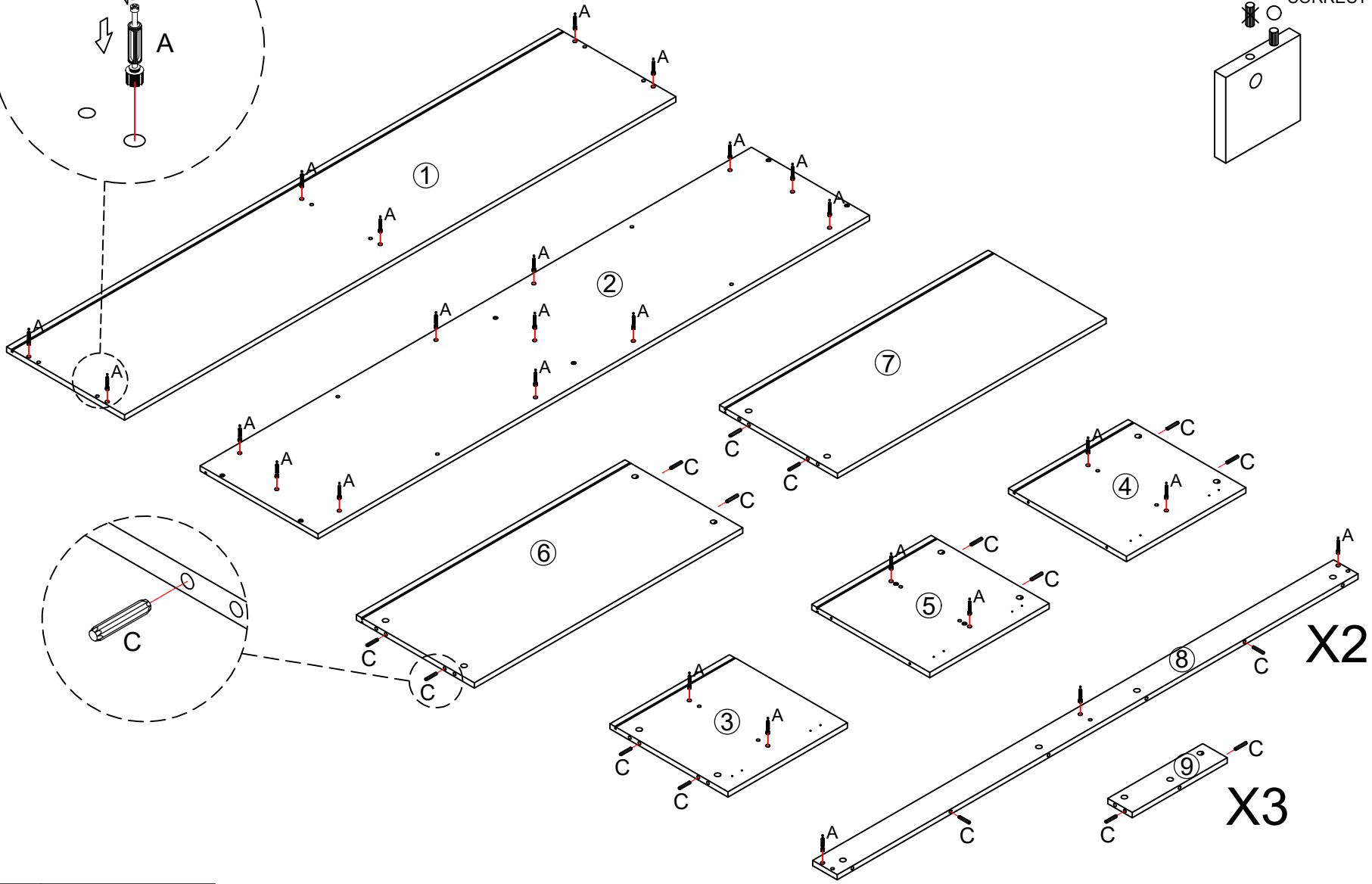
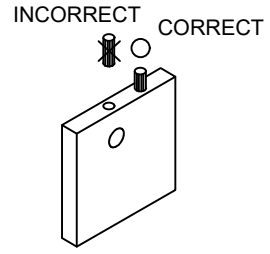
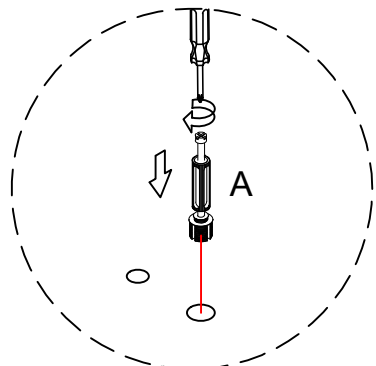



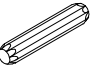
IV



Scan QR code for assembly video

1

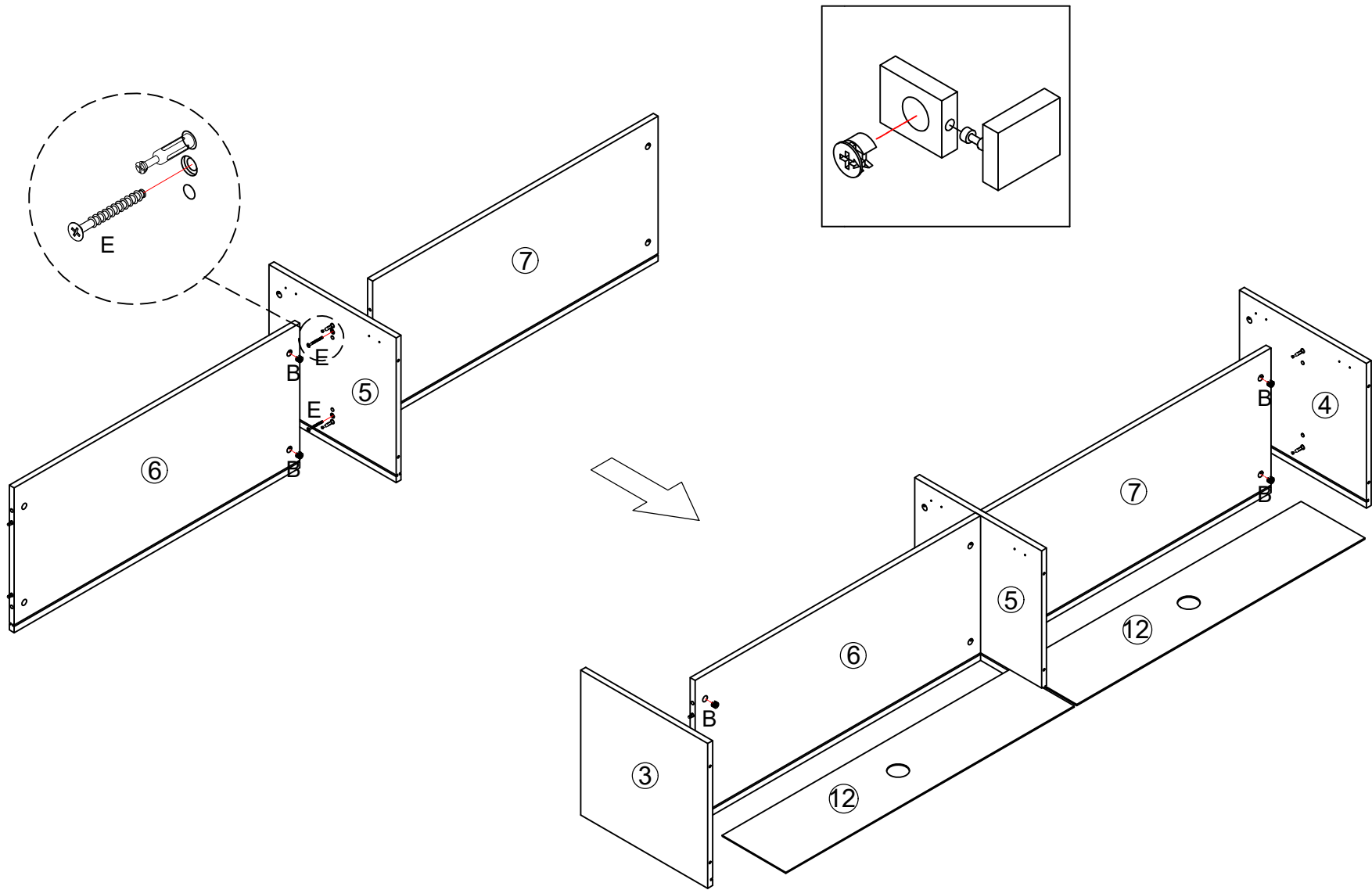


	A*29
	C*22

put A on board ①②③④⑤⑧
 put C on board ③④⑤⑥⑦⑧⑨

2

Make sure the arrow on the screw align to the hole on the side.



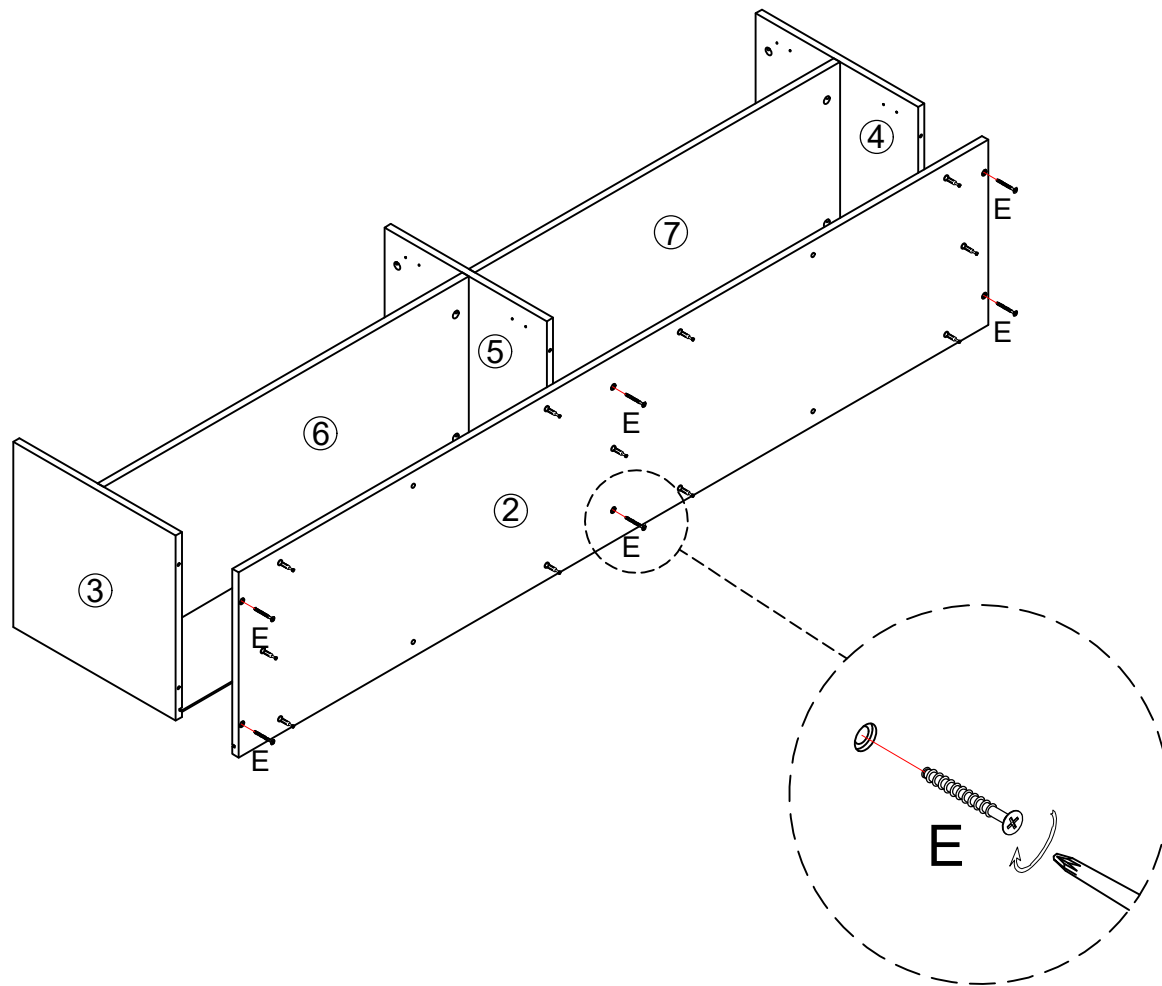
B*6



E*2

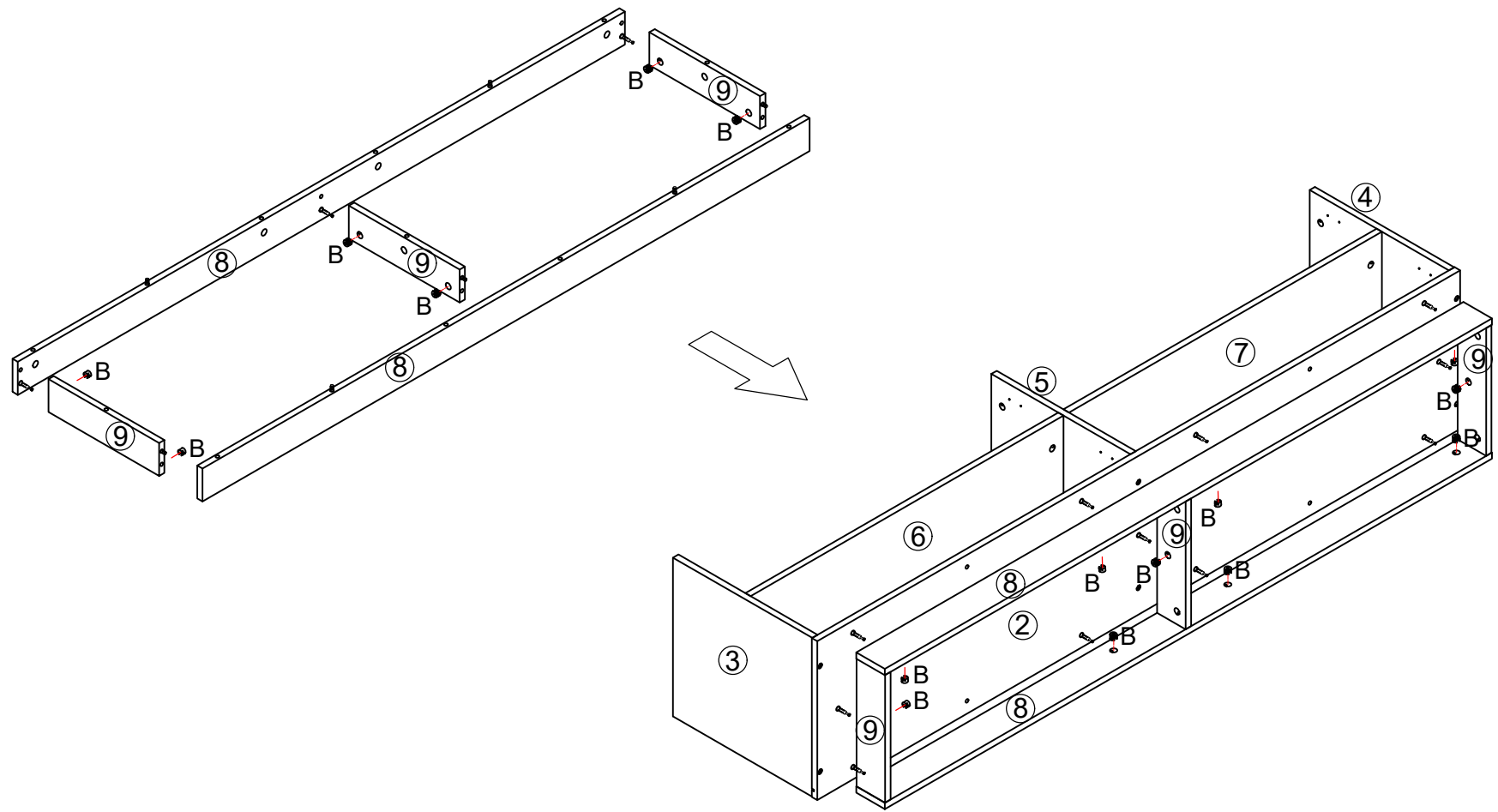
put B on board ⑥⑦

3



E*6

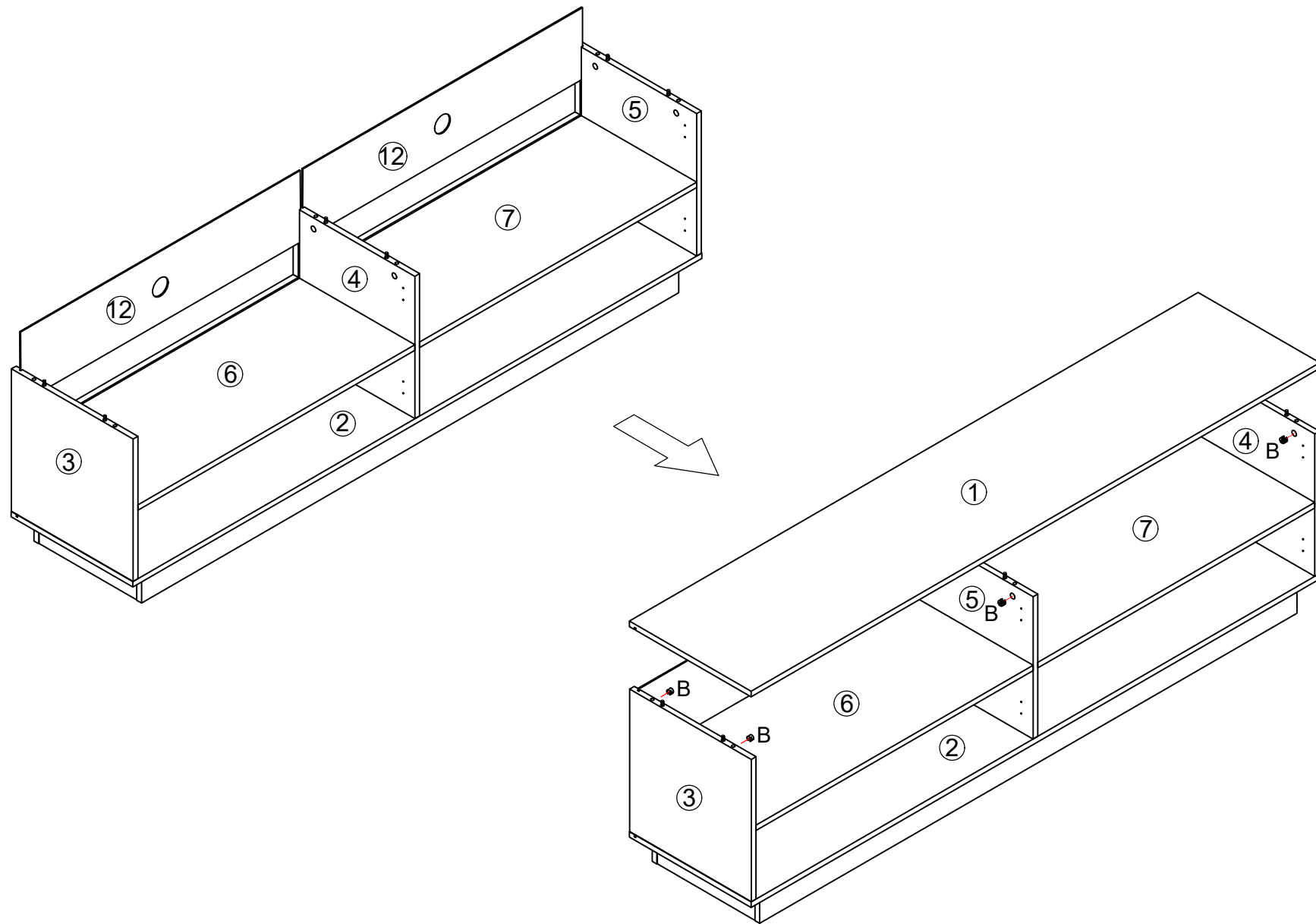
4



B*17

put B on board ⑧ ⑨

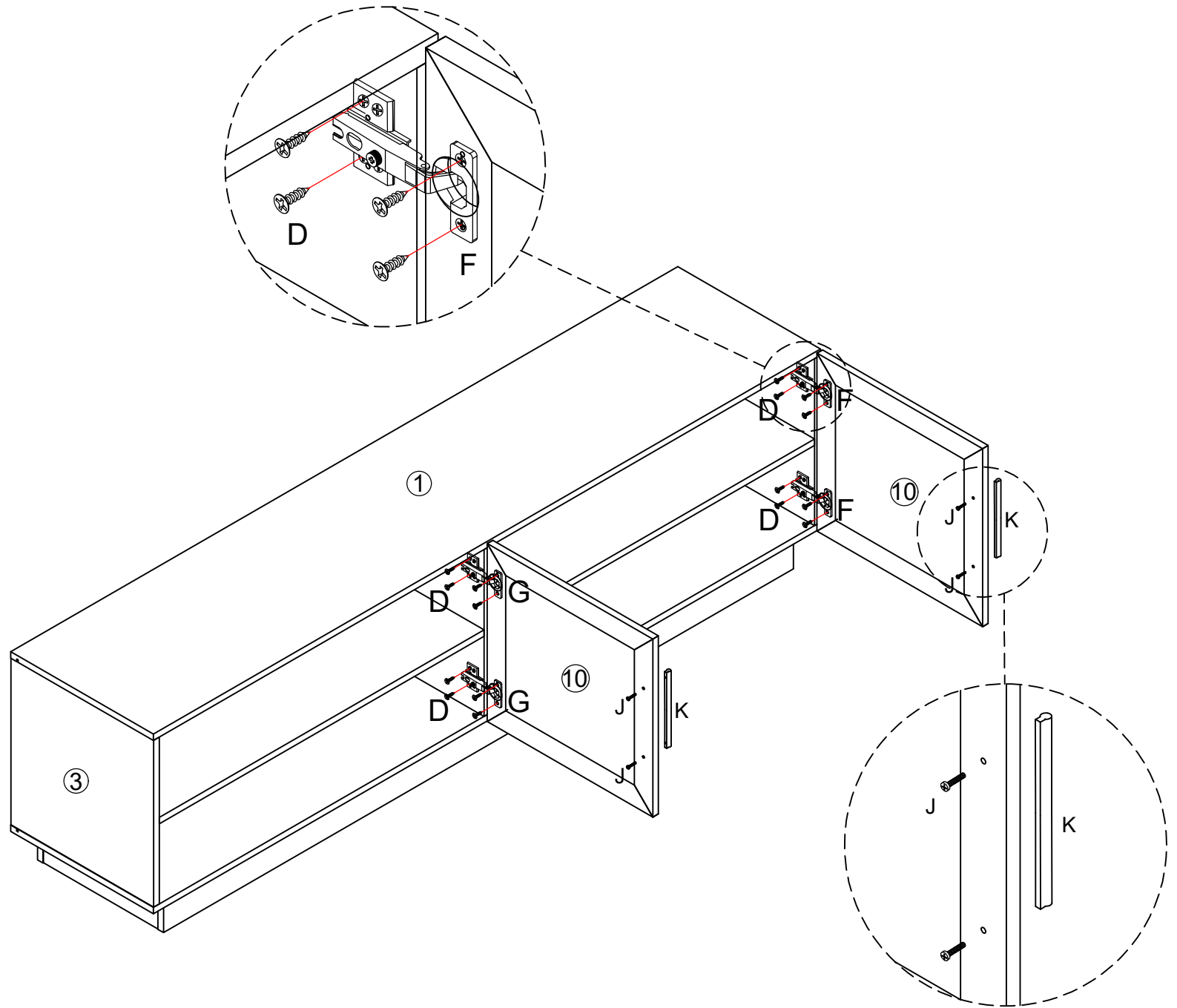
5


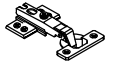
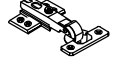
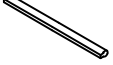



B*6

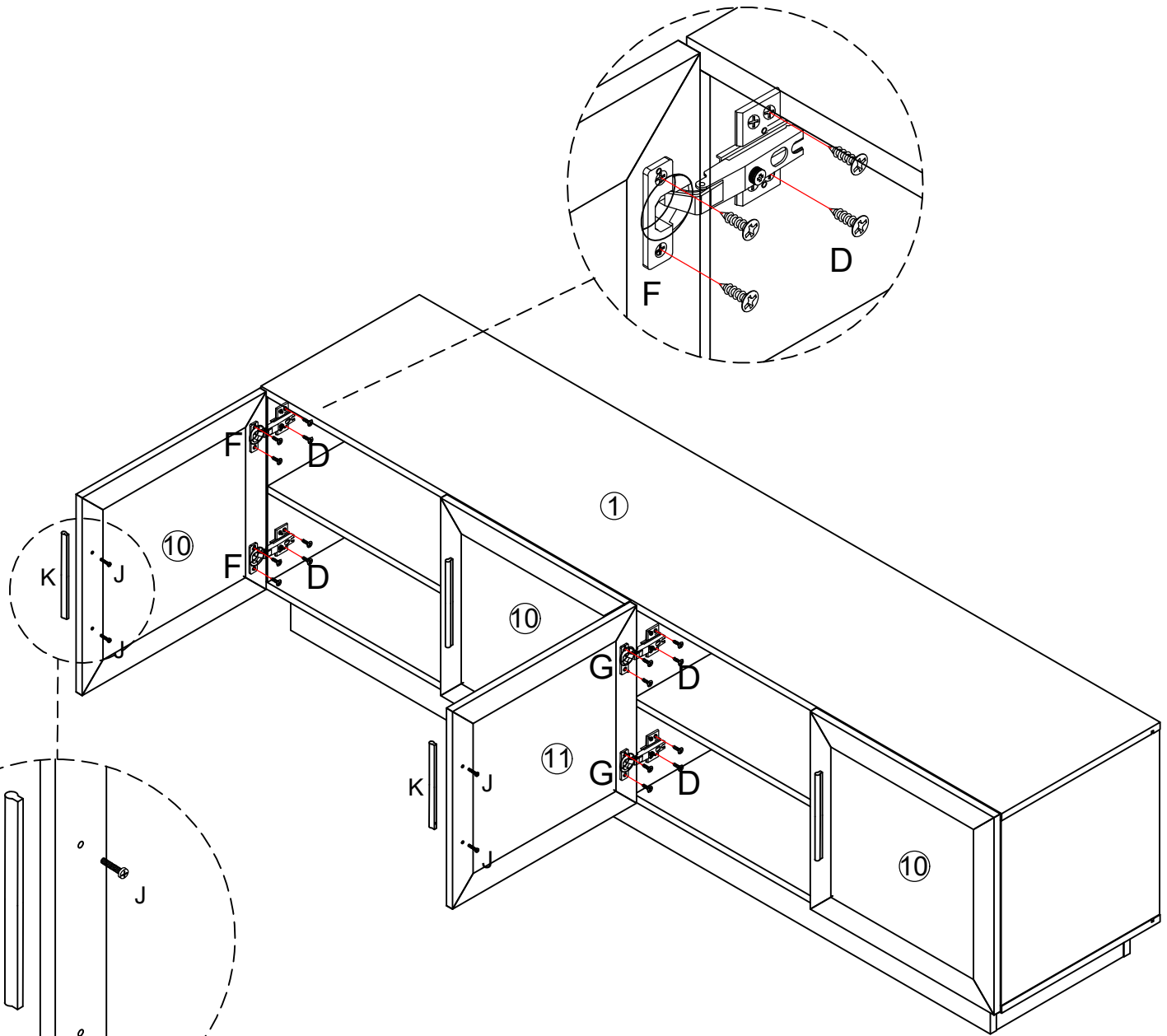
put B on board ③④⑤


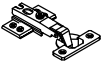
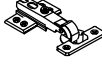
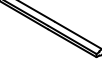

6



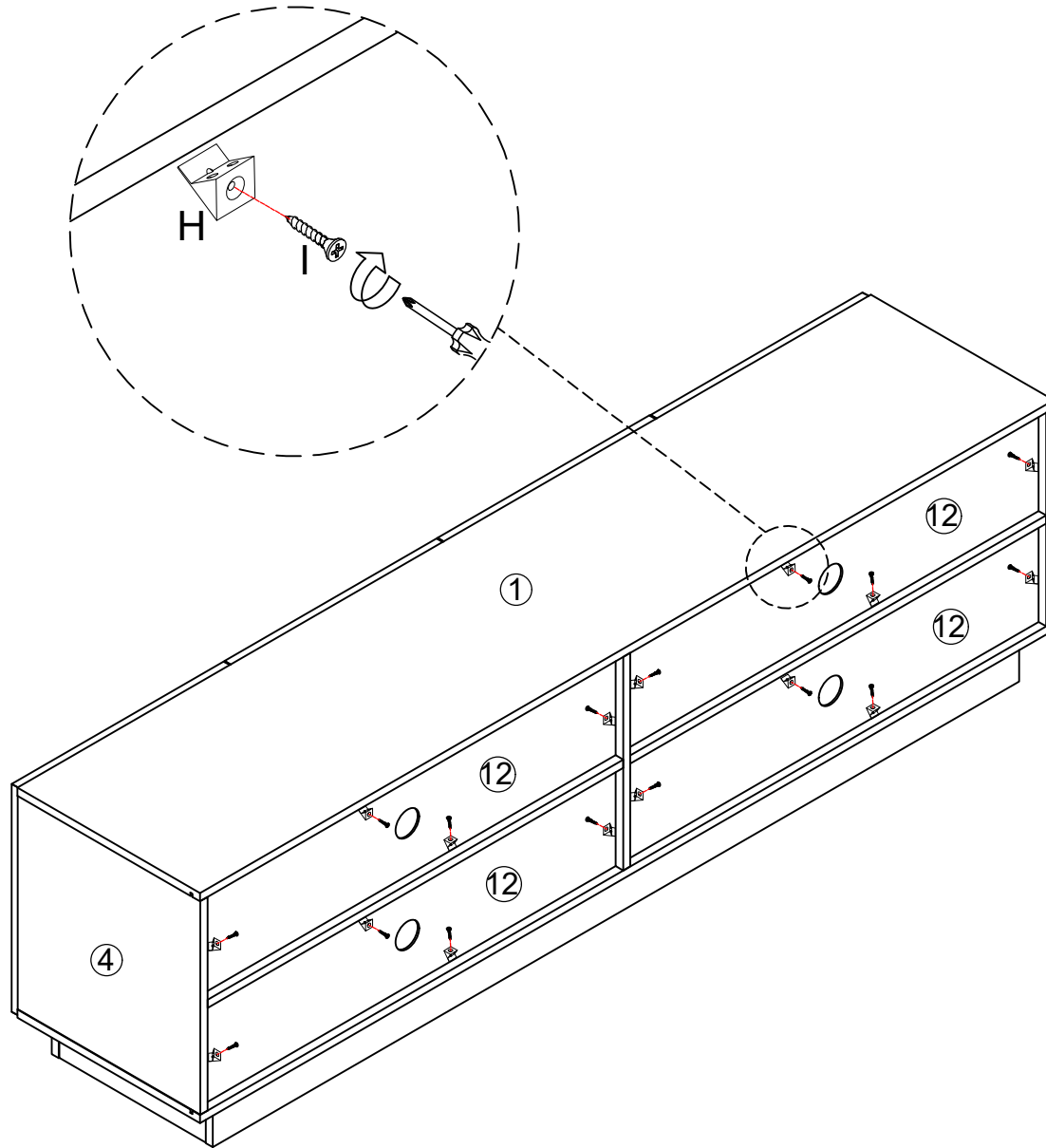
	D*24
	F*2
	G*2
	K*2
	J*4

7



	D*24
	F*2
	G*2
	K*2
	J*4

8



H*16



I*16

