



WARNING!

Children have died from furniture tipover. Fixed wall device have been included with this product;you must install the fixed wall device according to these instructions in order to minimize the risk of furniture.If you have any questions about this product or the Fixed wall device , please contact us immediately.

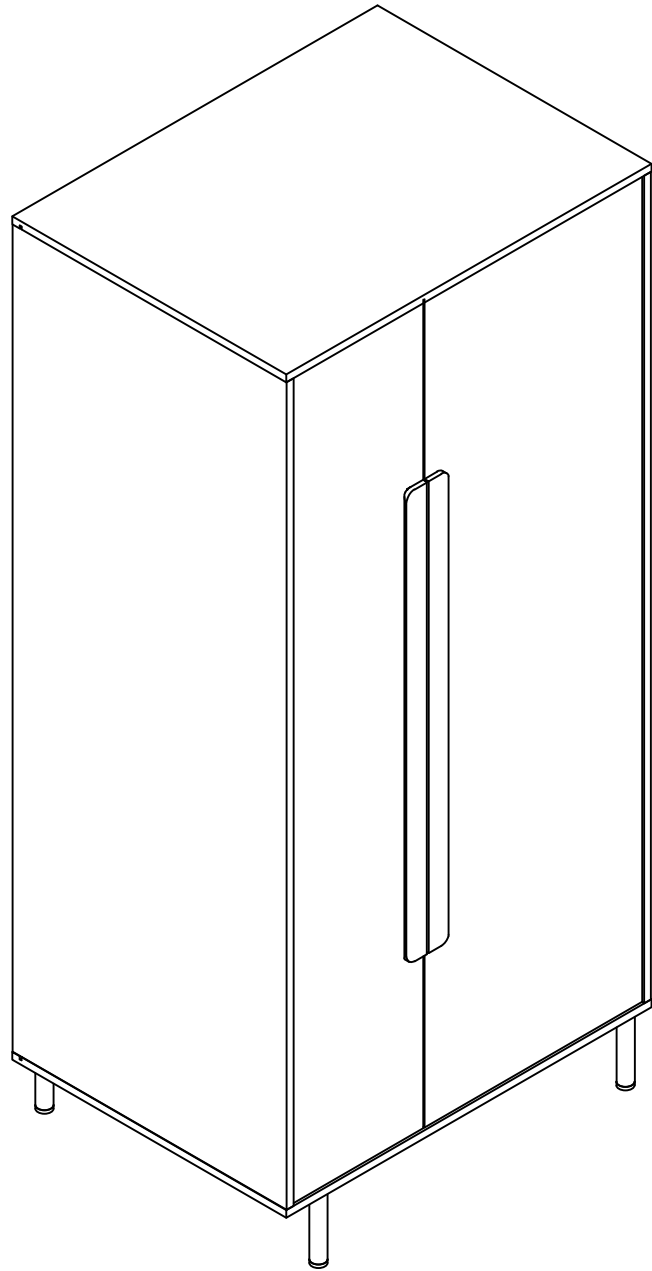
Never allow children to climb or hang on furniture,including drawers or cabiner doors.

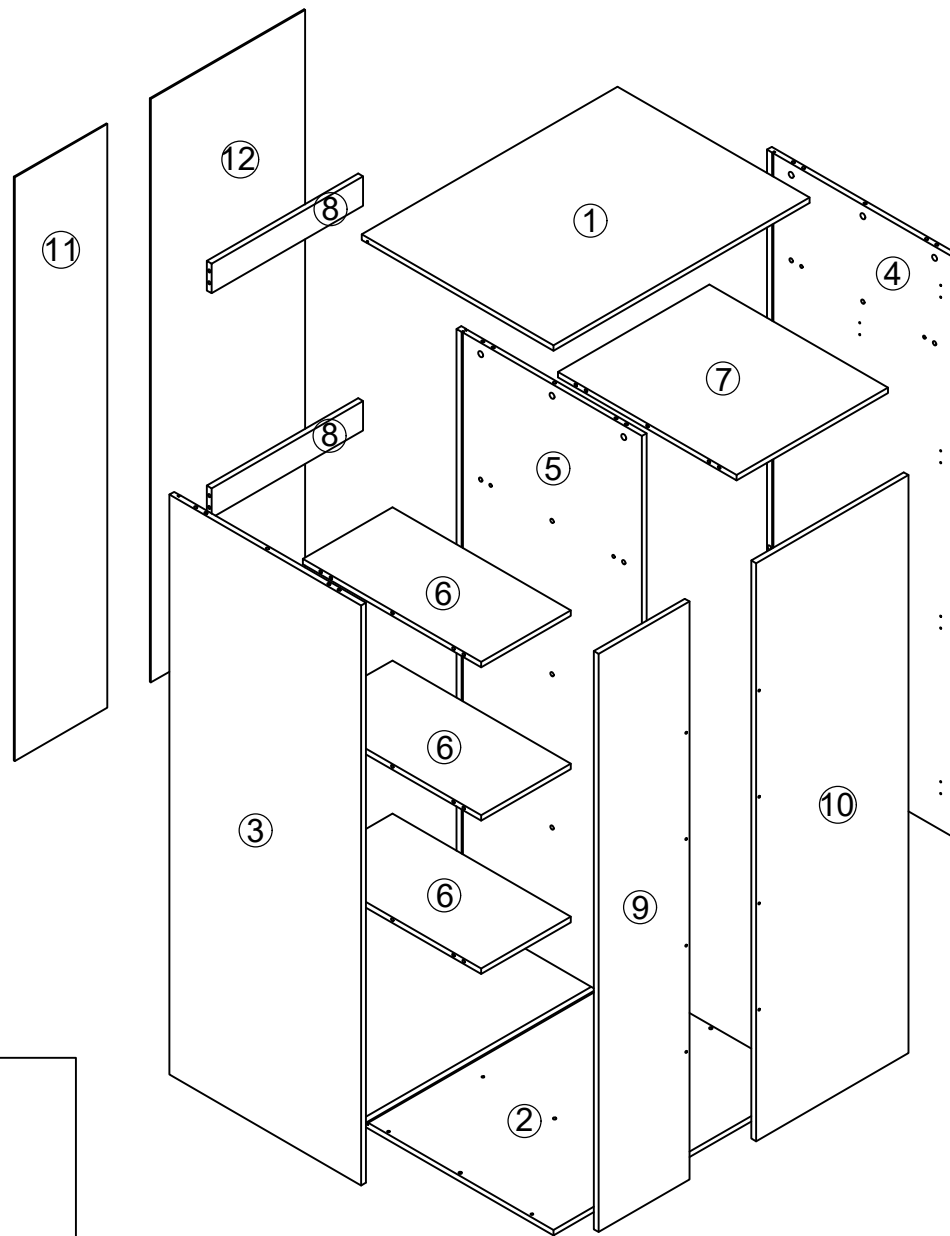
In addition to installing the restrains,to help prevent tip-over.

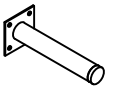
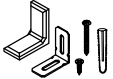
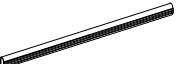

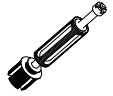

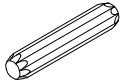

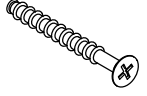
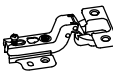




1. Never put a TV or other heavy objects on top of this product.
2. Do not stand on the product.

! WARNING	
	Children have died from furniture tipover. To reduce the risk of furniture tipover: <ul style="list-style-type: none">• ALWAYS install tipover restraint provided.• NEVER put a TV on this product.• NEVER allow children to stand, climb or hang on drawers, doors, or shelves.• NEVER open more than one drawer at a time.• Place heaviest items in the lowest drawers.• Do not defeat or remove the drawer interlock system. <p><i>This is a permanent label. Do not remove!</i></p>
	

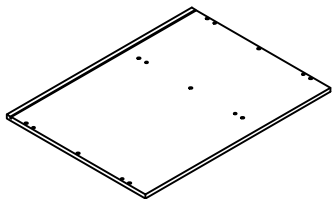
JG23014





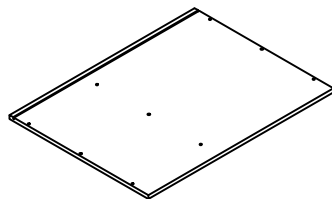
<p>K 150mm</p>  <p>4PCS</p>	<p>L</p>  <p>2PCS</p>	<p>M 465mm</p>  <p>1PCS</p>	<p>N</p>  <p>2PCS</p>						
<p>A</p>  <p>37PCS</p>	<p>B</p>  <p>37PCS</p>	<p>C 8*40</p>  <p>29PCS</p>	<p>D 3.5*14</p>  <p>62PCS</p>	<p>E 7*50</p>  <p>6PCS</p>	<p>F</p>  <p>7PCS</p>	<p>G</p>  <p>2PCS</p>	<p>H 4*26</p>  <p>8PCS</p>	<p>I</p>  <p>18PCS</p>	<p>J 3*12</p>  <p>18PCS</p>

1



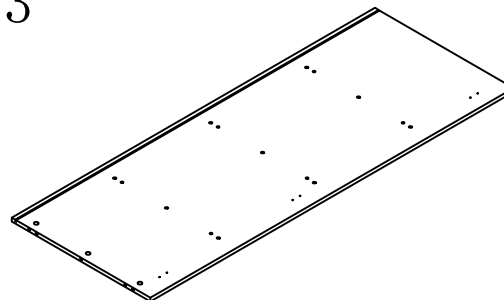
800*600 1PS

2



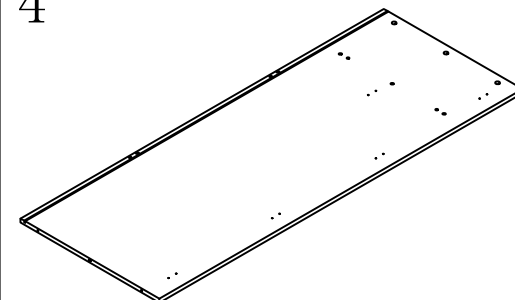
800*600 1PS

3



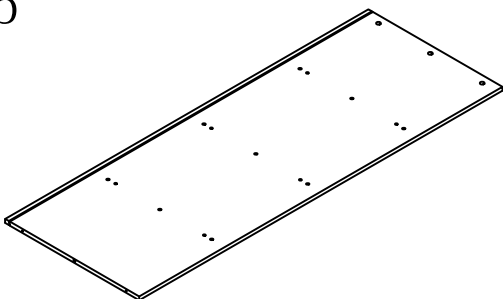
1570*600 1PS

4



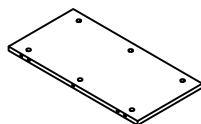
1570*600 1PS

5



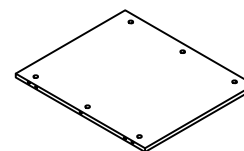
1570*580 1PS

6



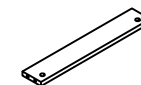
280*558 3PS

7



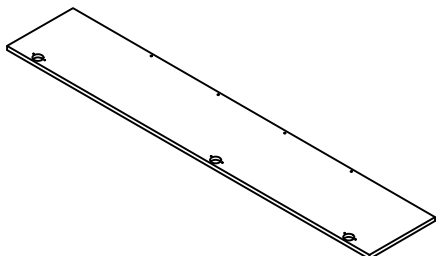
473*558 1PS

8



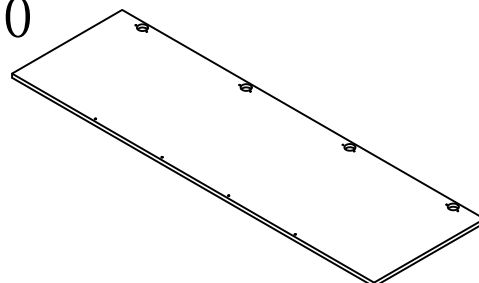
473*80 2PS

9



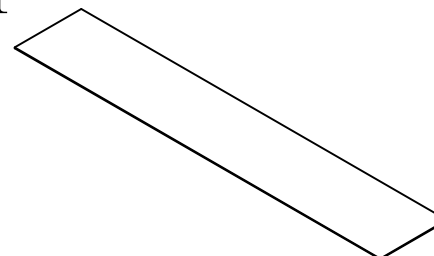
1565*284 1PS

10



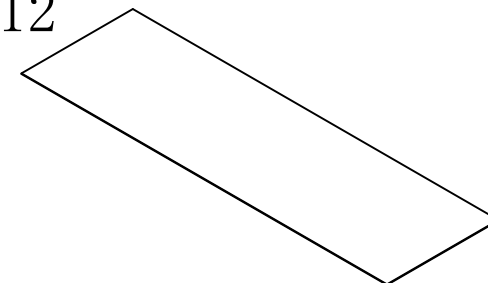
1565*477 1PS

11



1580*289 1PS

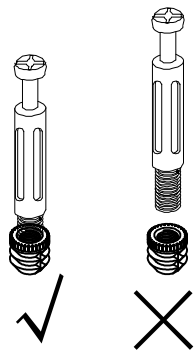
12



1580*482 1PS

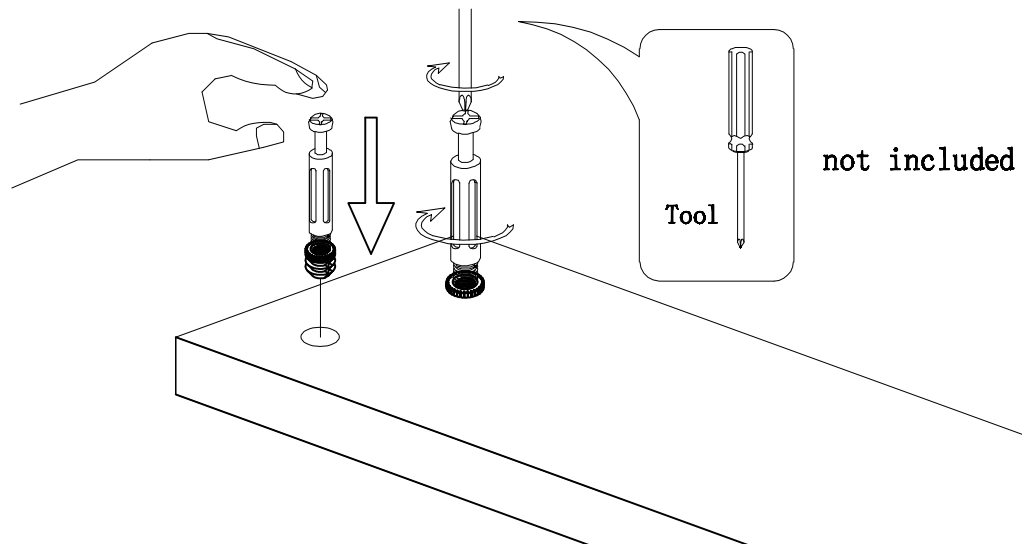
"A" Hardware installation example

I

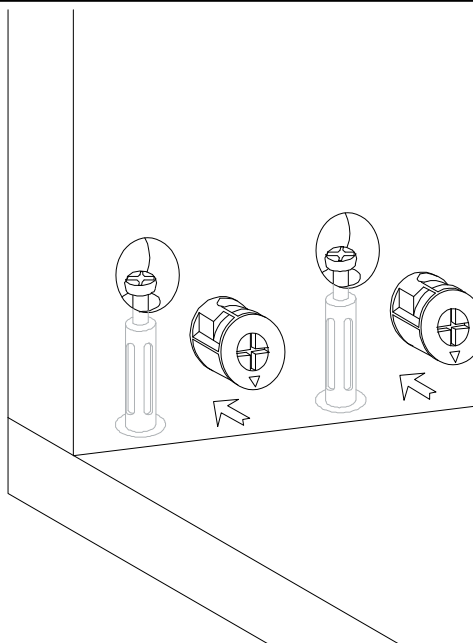


This part cannot be separated,
please install in strict
accordance with the assembly
requirements

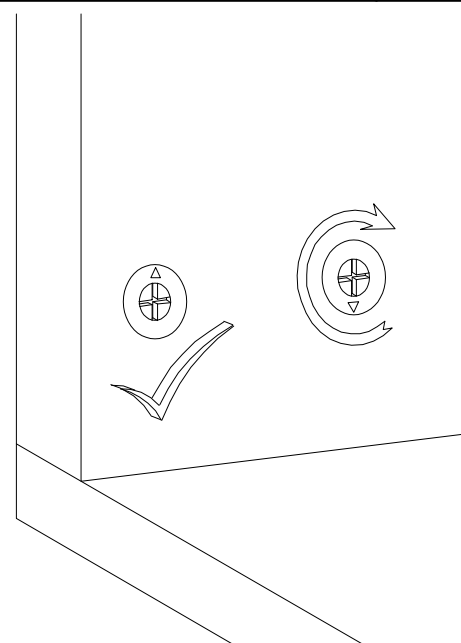
II



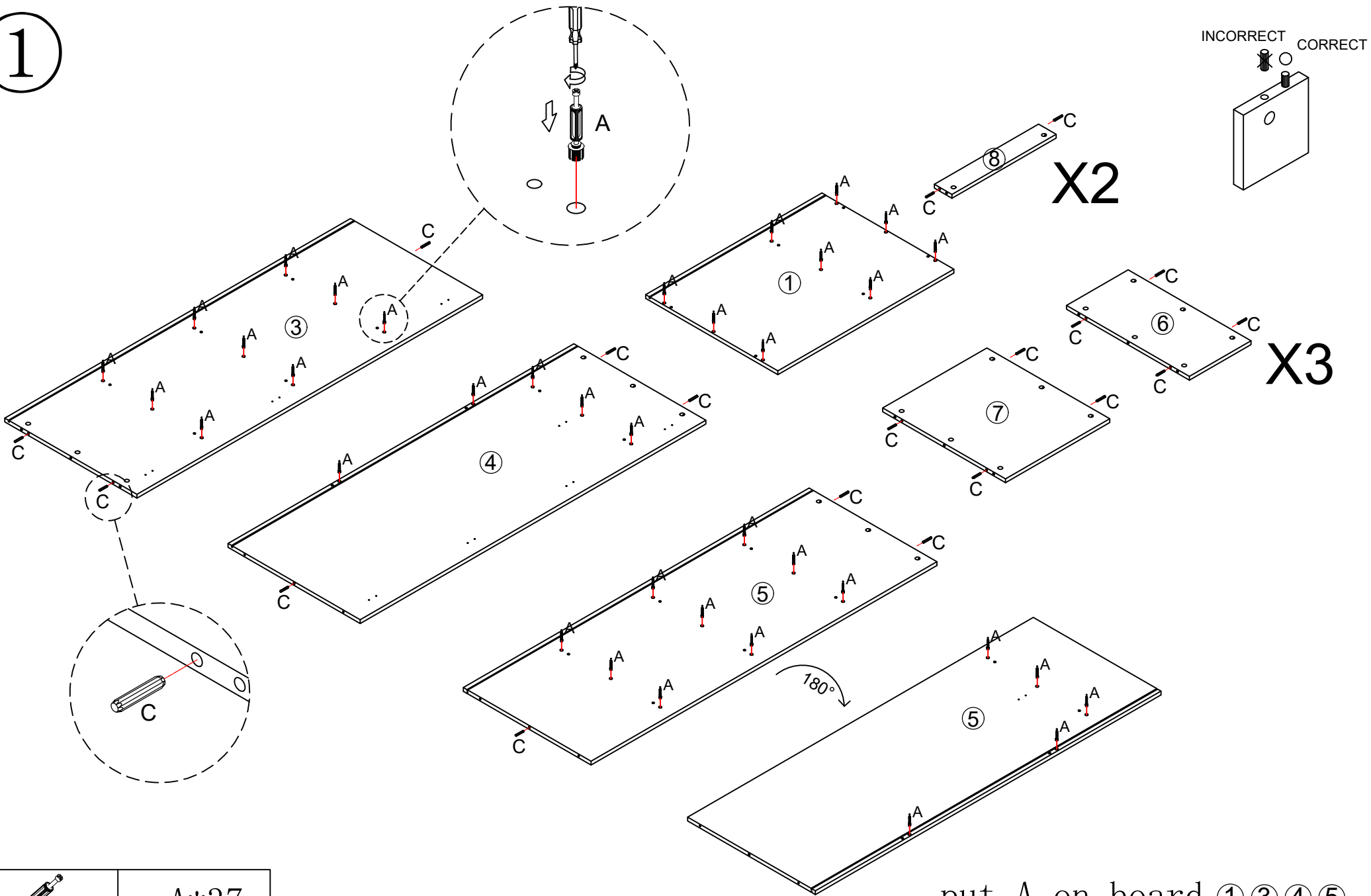
III


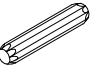


IV



1

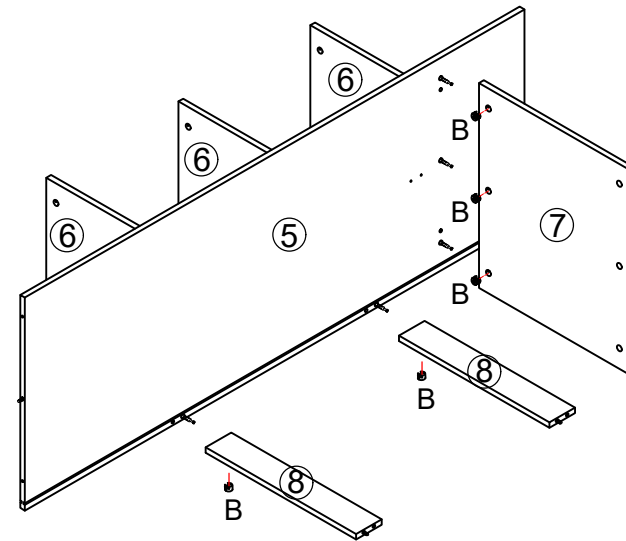
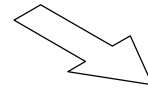
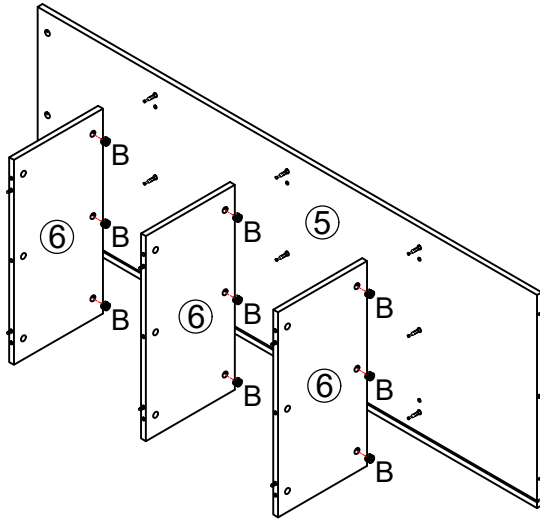
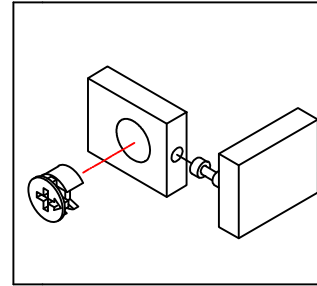


	A*37
	C*29

put A on board ①③④⑤
 put C on board ③④⑤⑥⑦⑧

2

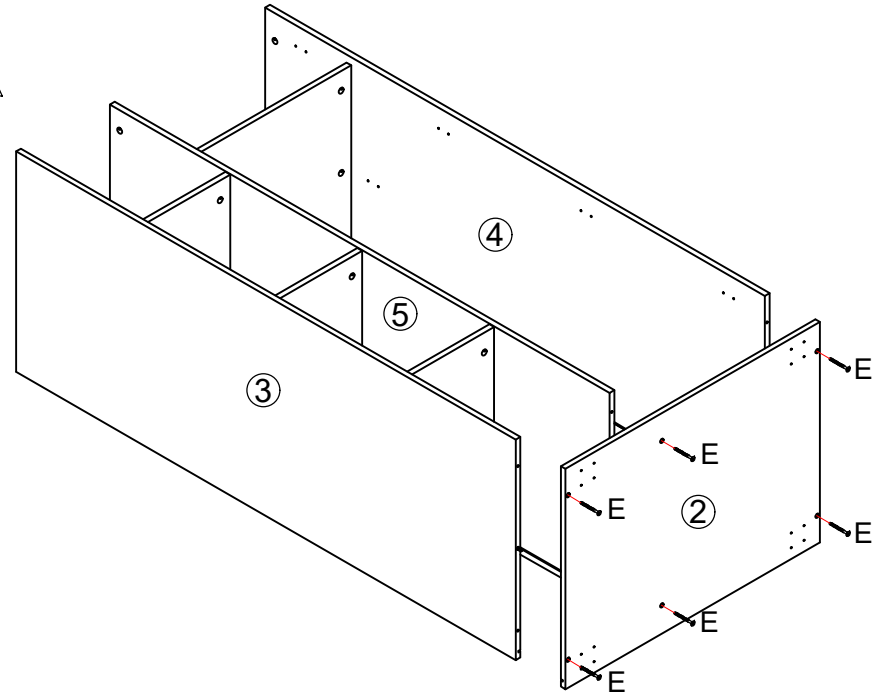
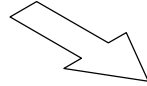
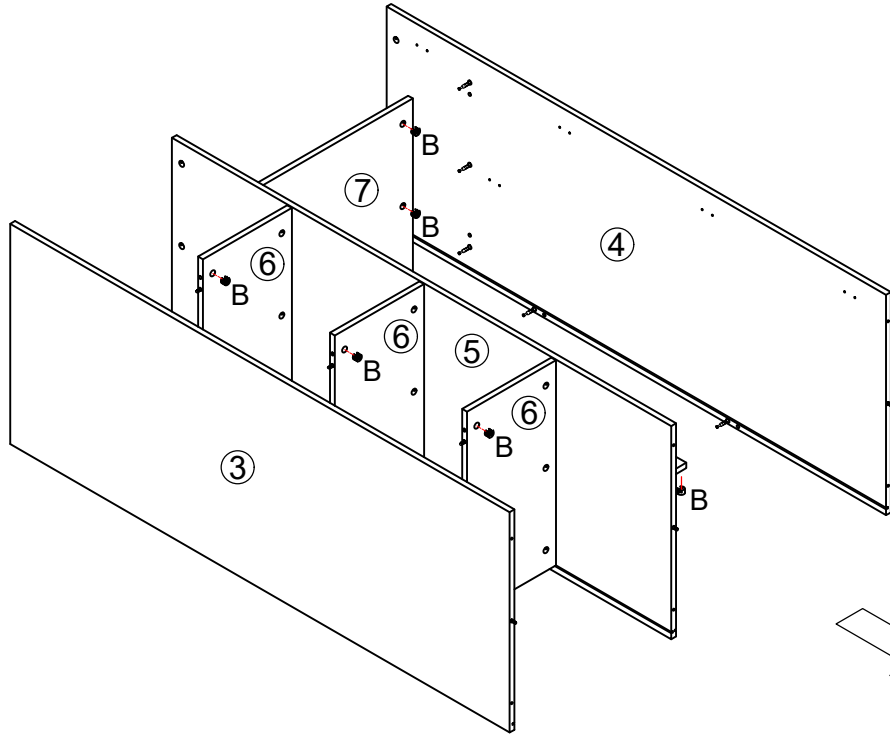
Make sure the arrow on the screw align to the hole on the side.



B*14

put B on board ⑥⑦⑧

3



put B on board ⑥⑦⑧

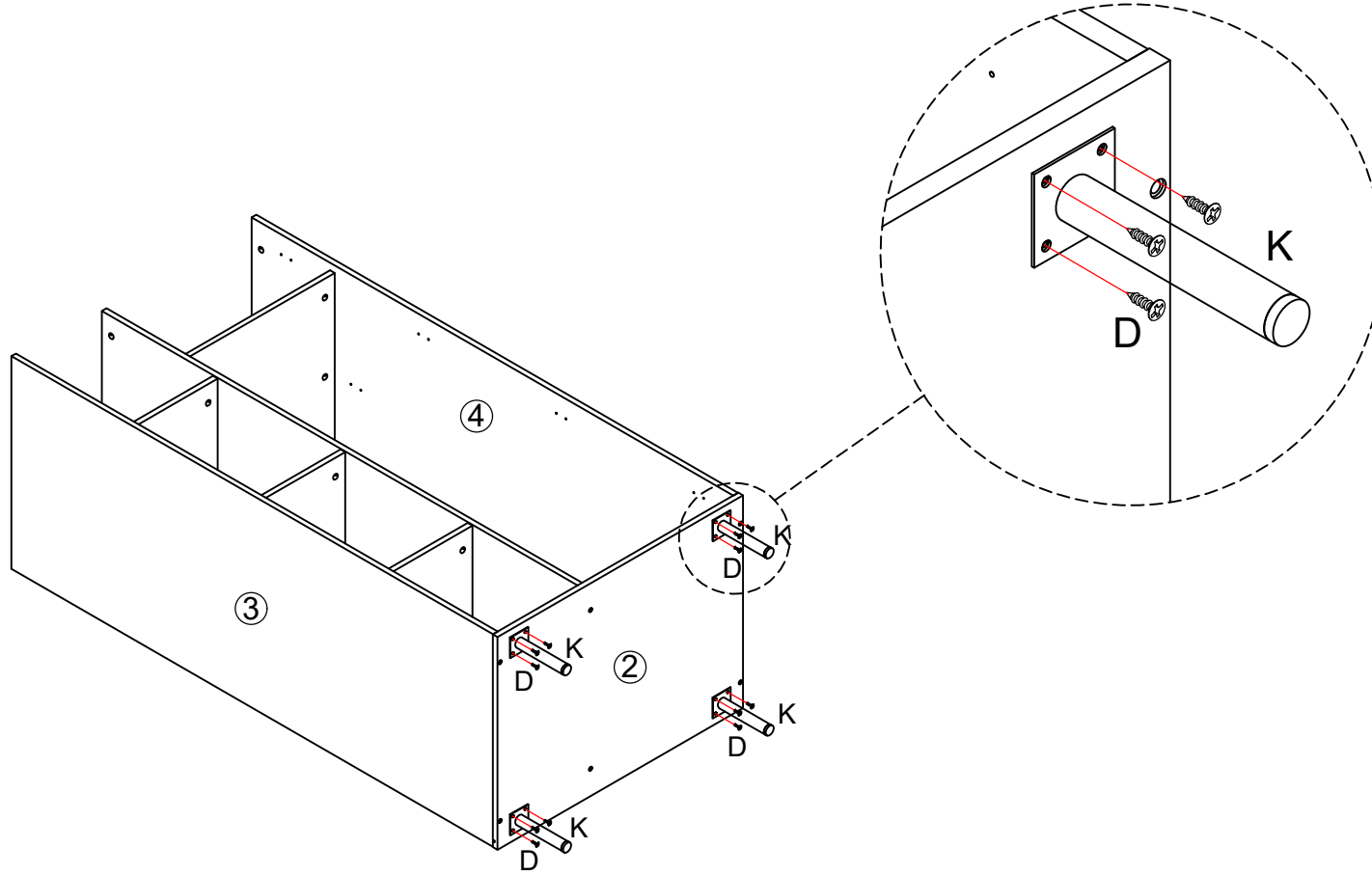


B*14



E*6

4

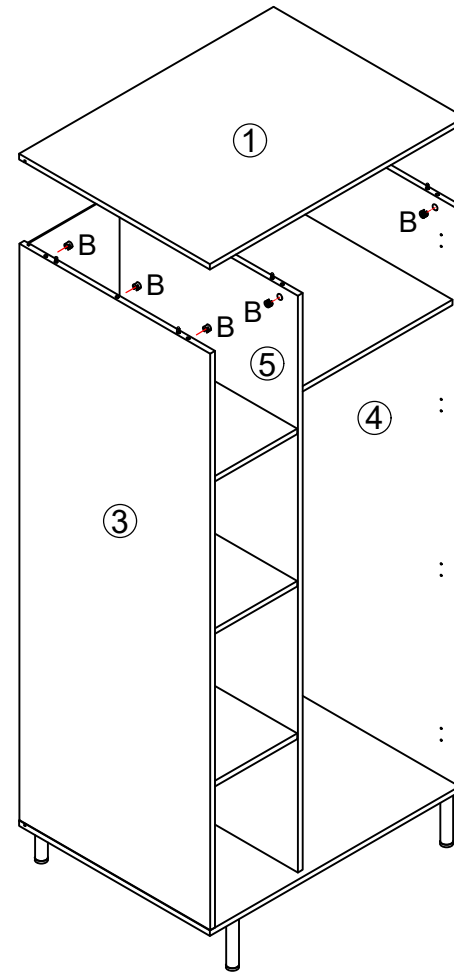
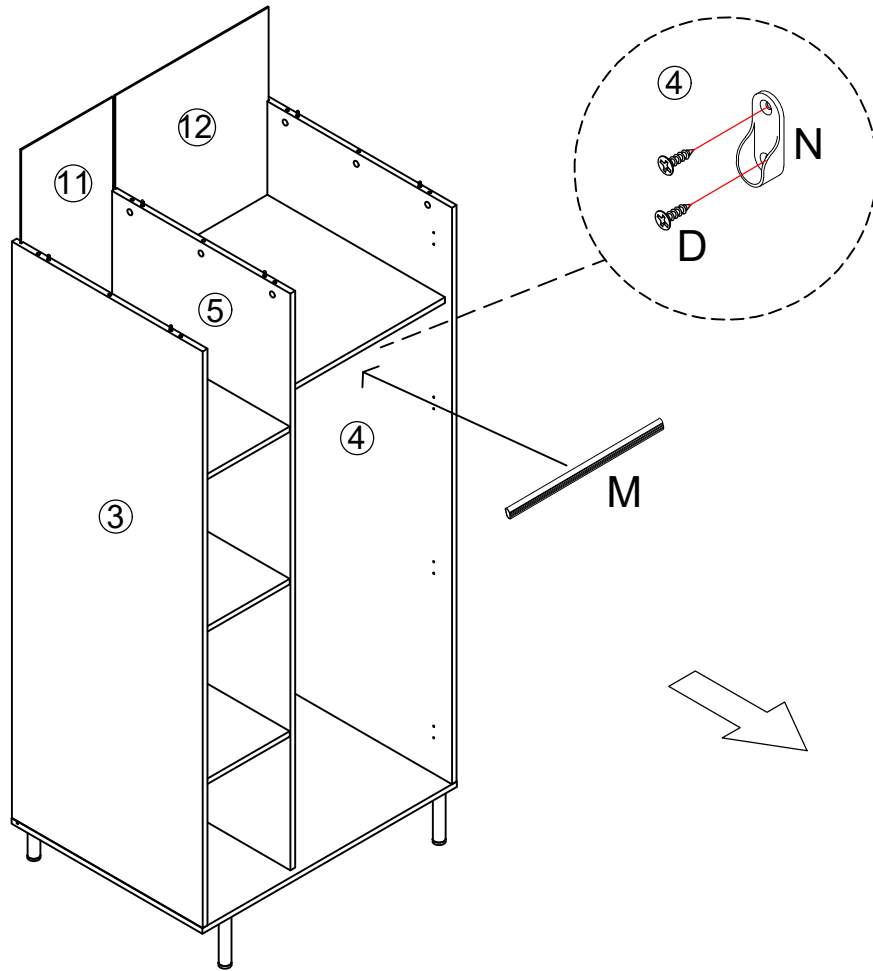


D*16



K*4

5



put B on board ③④⑤



B*9



D*4

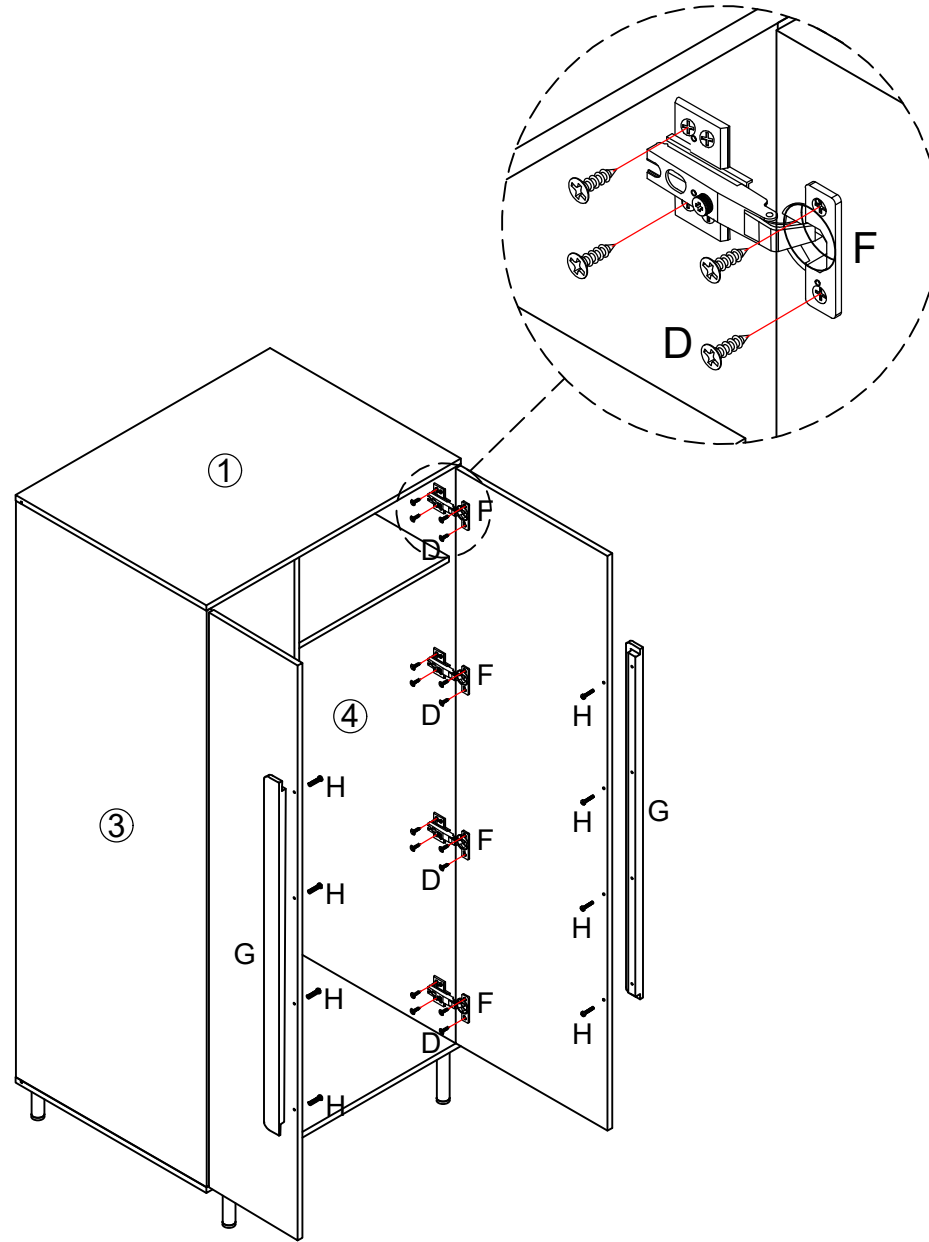


M*1



N*2

6



D*42



F*7

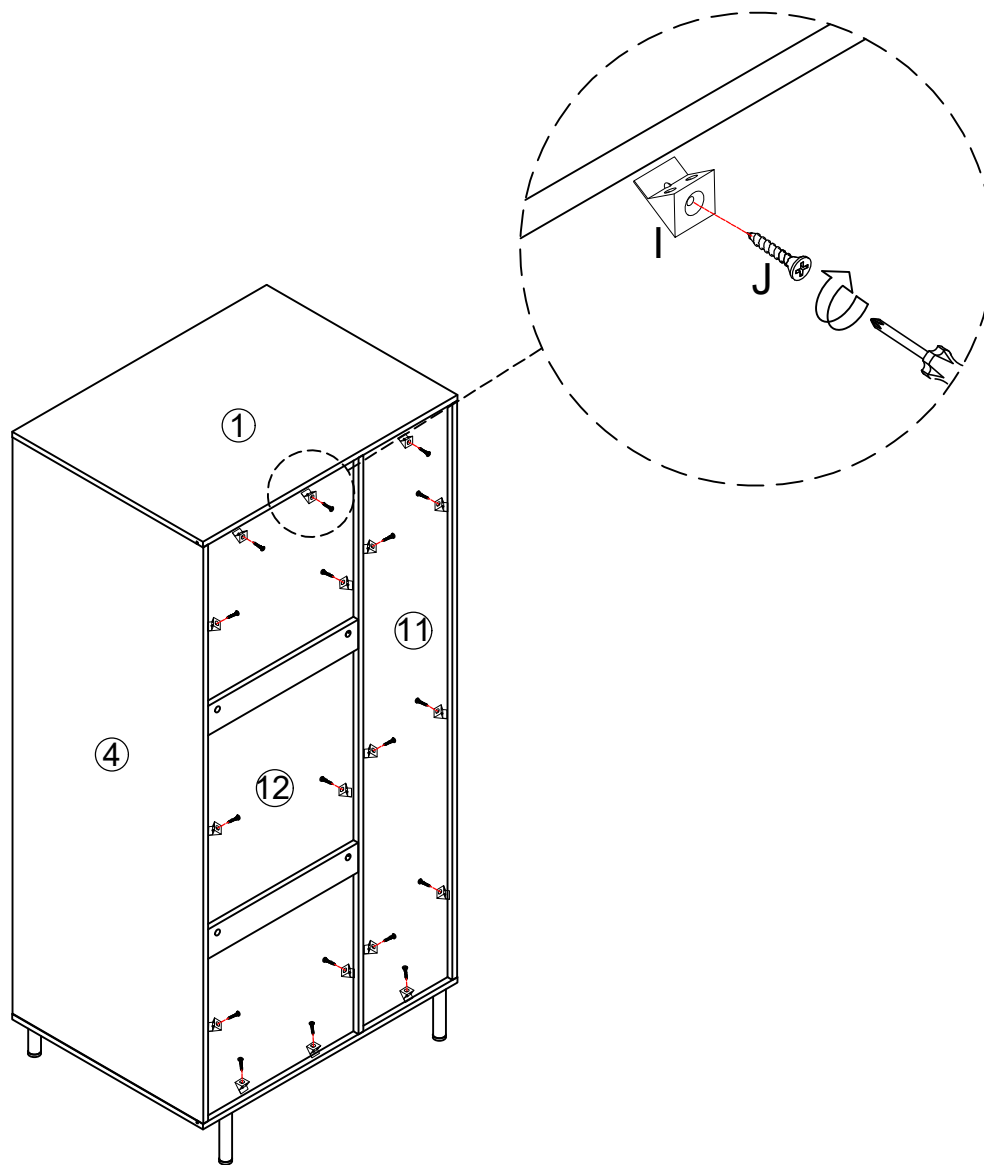


G*2



H*8

7

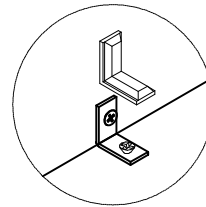
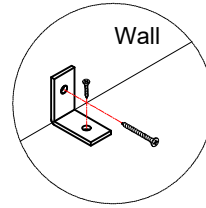
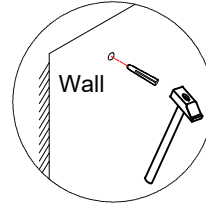
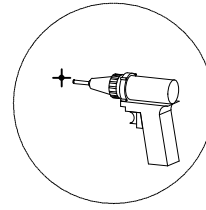
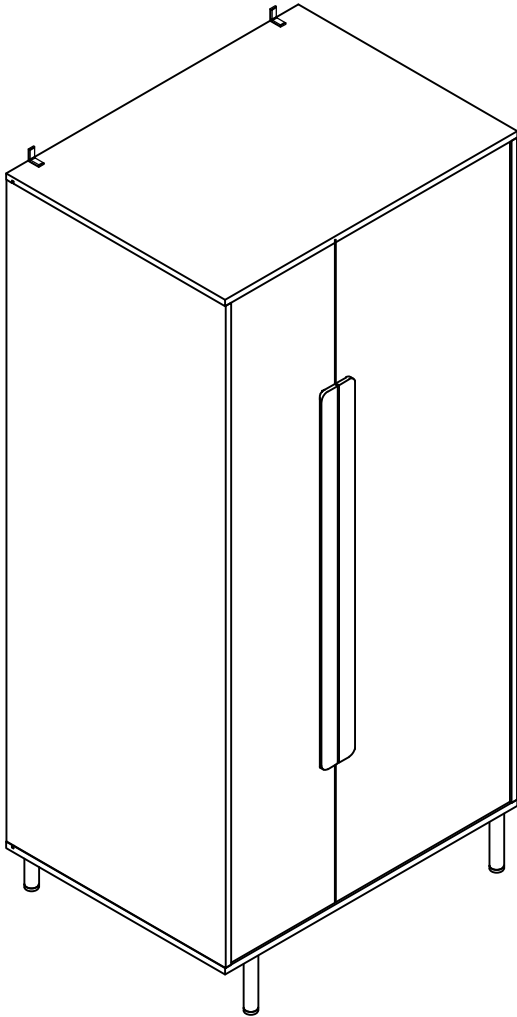


I*18

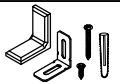


J*18

8



Please install tip-proof fitting.



L*2