





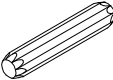


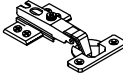
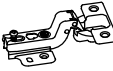



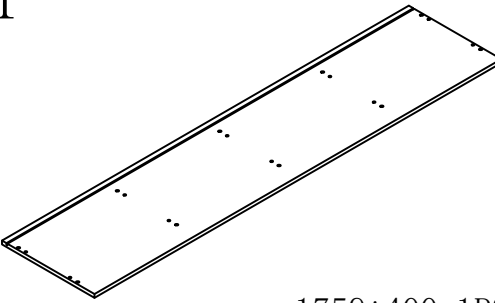
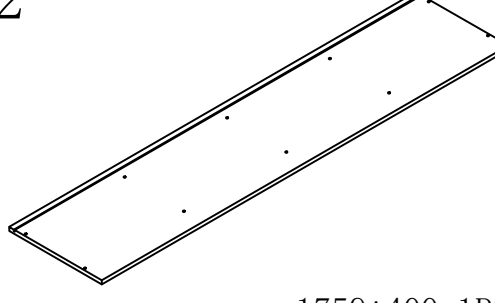
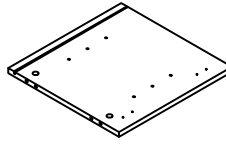
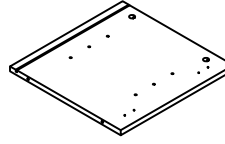
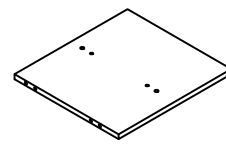
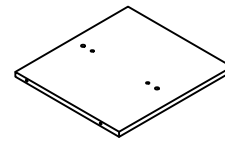
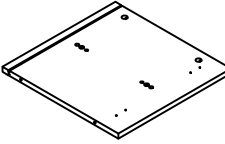
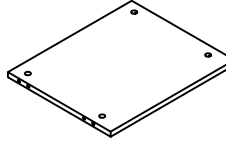
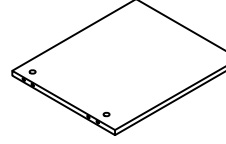
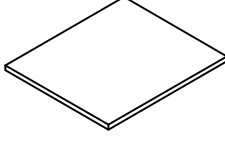
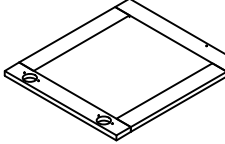
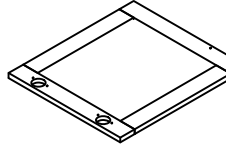
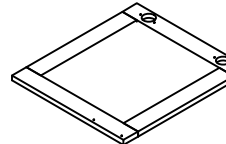
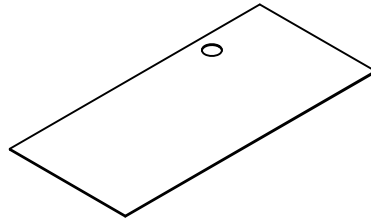
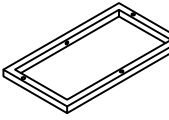
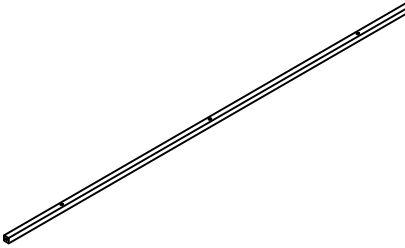
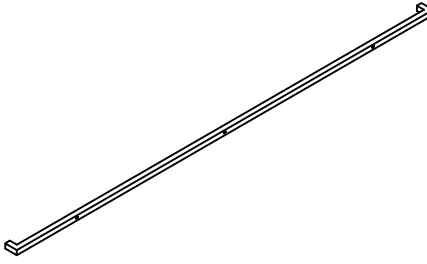
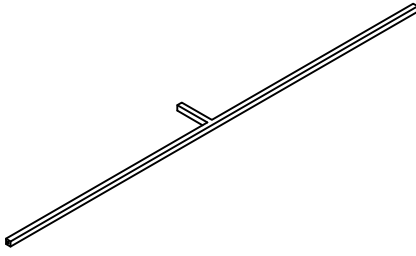


K	96mm	L	6*30	M	6*40	N								
														
4PCS		8PCS		9PCS		6PCS								
A		B	C	8*40	D	3.5*14	E	7*50	F	G	H	I	3*12	J
														
16PCS		16PCS	16PCS		56PCS		12PCS		4PCS	4PCS	12PCS		12PCS	8PCS

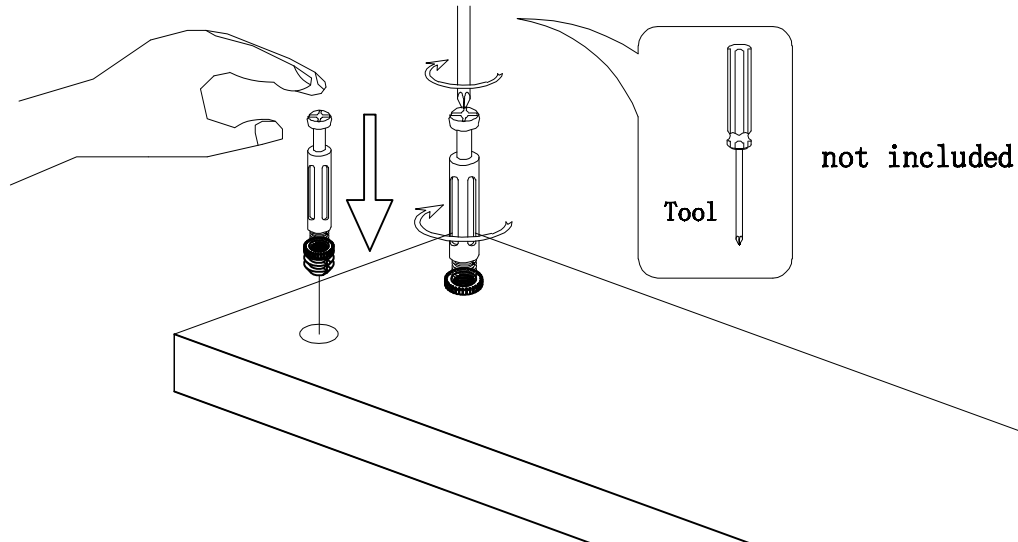
<p>1</p>  <p>1759*400 1PS</p>	<p>2</p>  <p>1759*400 1PS</p>	<p>3</p>  <p>390*383 1PS</p>	<p>4</p>  <p>390*383 1PS</p>	<p>5</p>  <p>390*359 1PS</p>	<p>6</p>  <p>390*359 1PS</p>
<p>7</p>  <p>390*400 1PS</p>	<p>8</p>  <p>428.5*356 1PS</p>	<p>9</p>  <p>428.5*356 1PS</p>	<p>10</p>  <p>410*356 2PS</p>		
<p>11</p>  <p>432*386 1PS</p>	<p>12</p>  <p>432*386 1PS</p>	<p>13</p>  <p>432*386 2PS</p>	<p>14</p>  <p>400*865 2PS</p>		
<p>15</p>  <p>400*220 2PS</p>	<p>16</p>  <p>1760*20 2PS</p>	<p>17</p>  <p>1800*50 1PS</p>	<p>18</p>  <p>1760*150 1PS</p>		



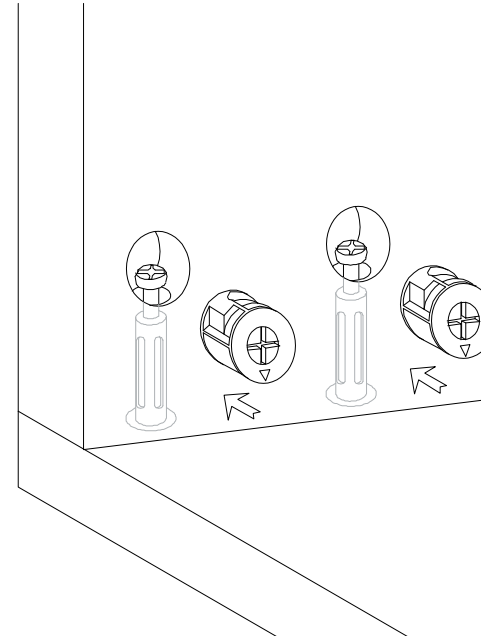
Hardware installation demonstration

NOTE: Please make sure "A" hardware tightened and can't be pulled out!

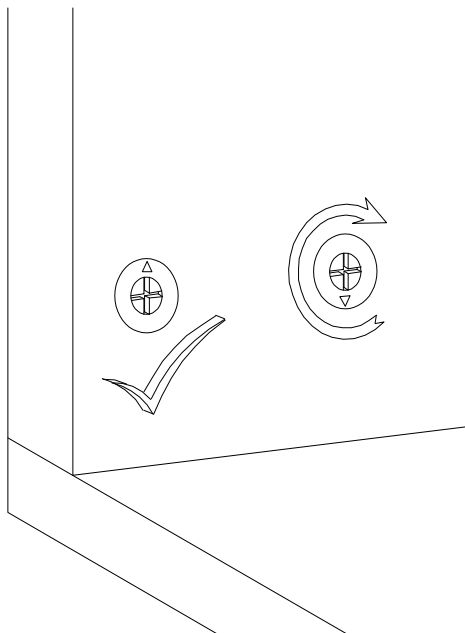
I



II



III

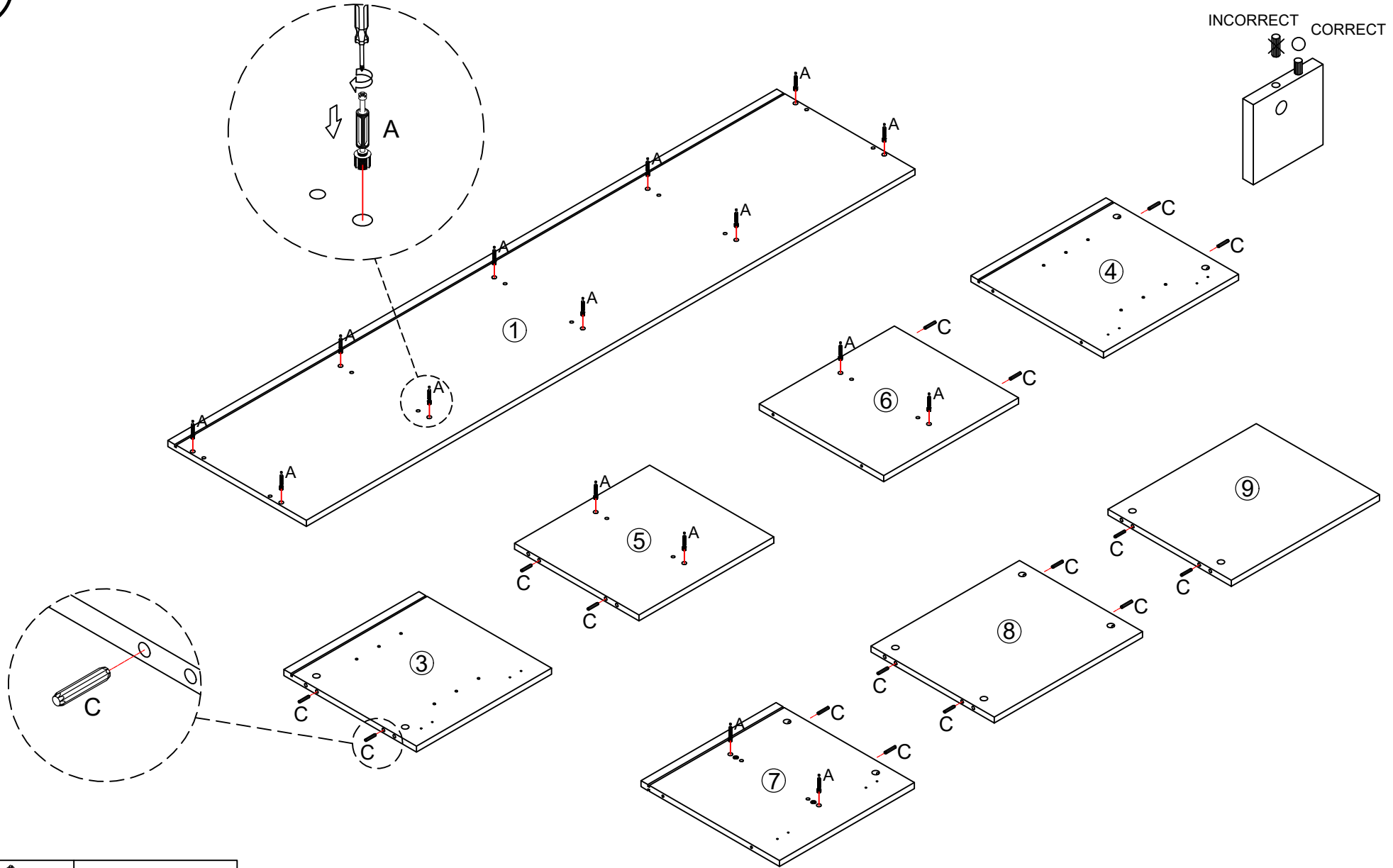



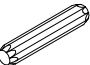
IV



Scan QR code for assembly video

1

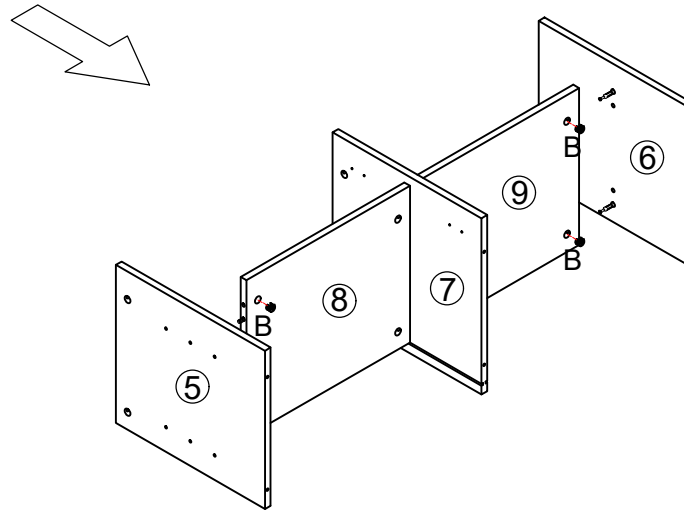
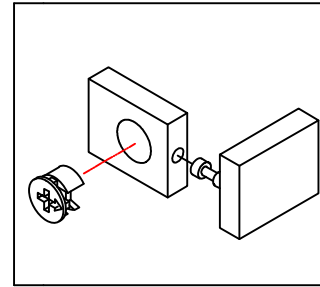
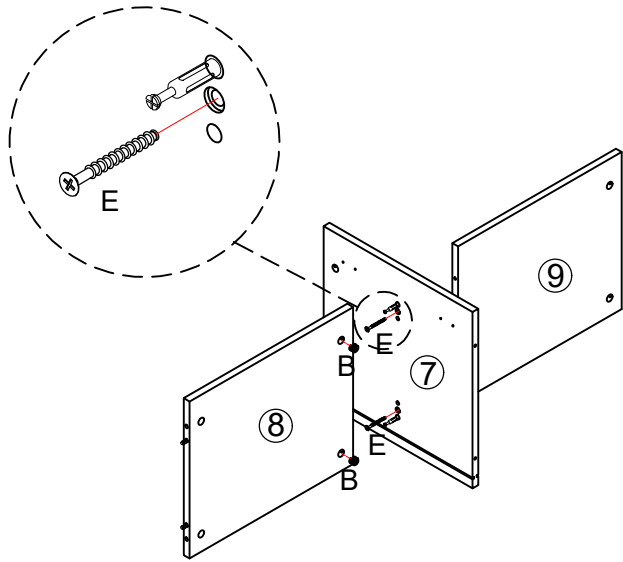


	A*16
	C*16

put A on board ①⑤⑥⑦
put C on board ③④⑤⑥⑦⑧⑨

2

Make sure the arrow on the screw align to the hole on the side.



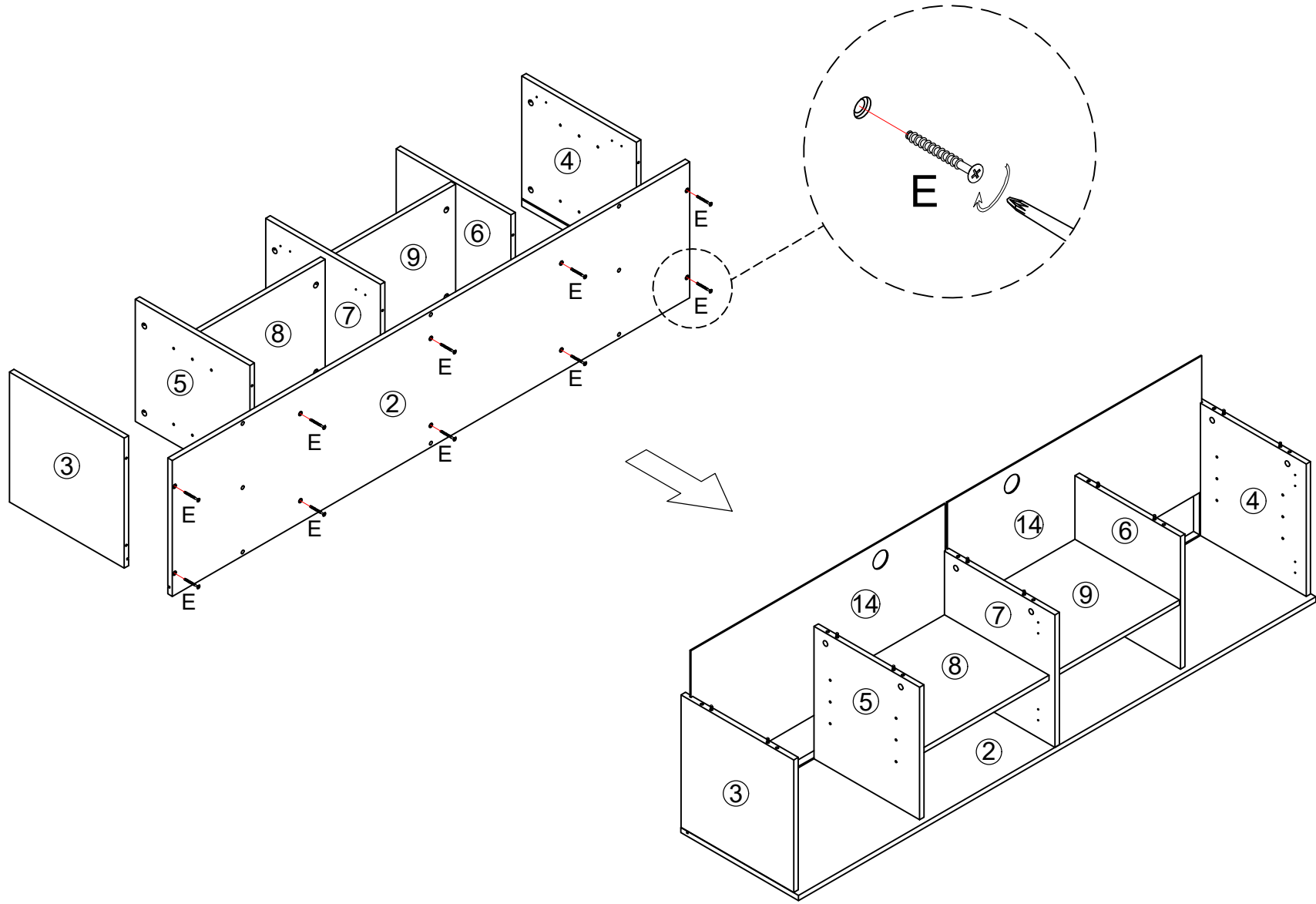
B*6



E*2

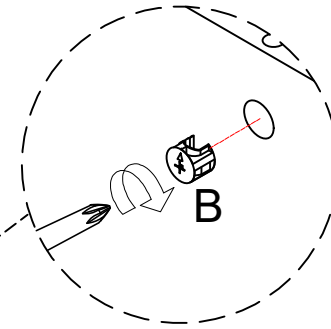
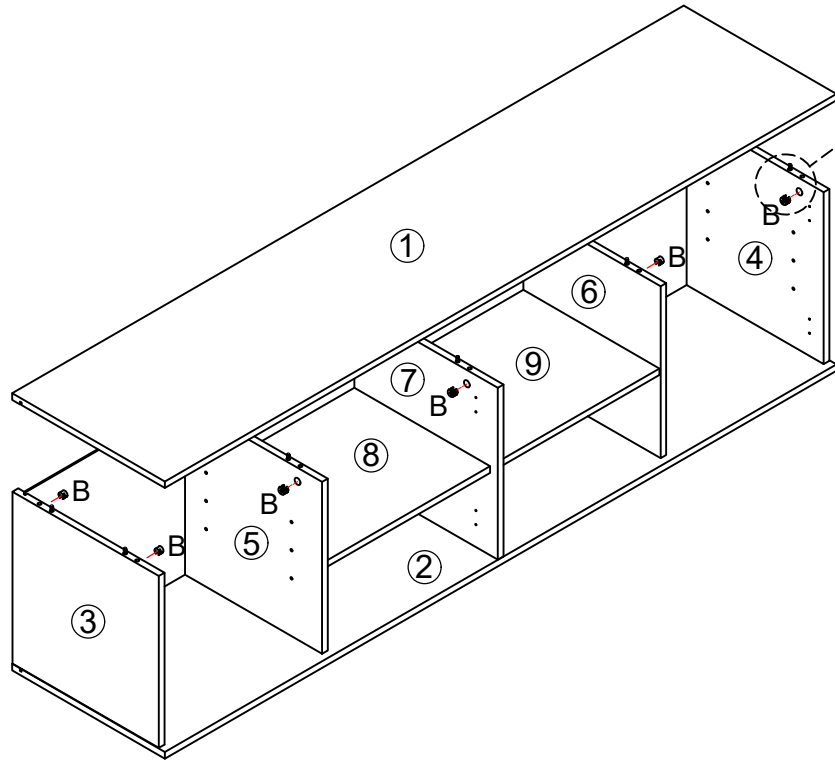
put B on board ⑧⑨

3

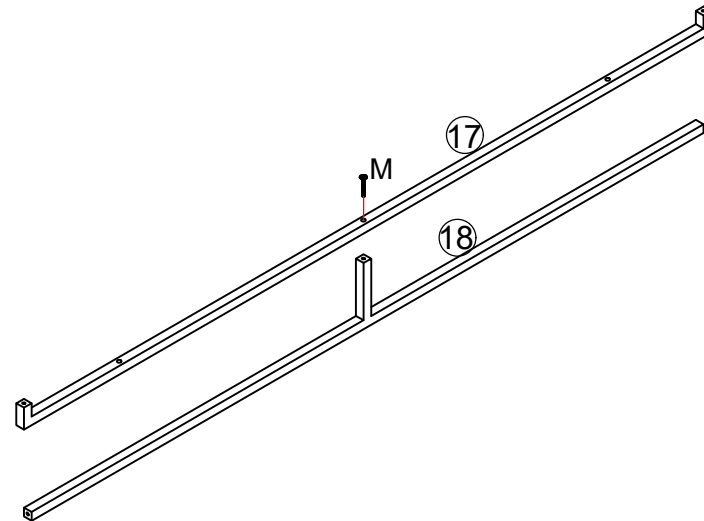


E*10

4



Make sure the arrow on the screw align to the hole on the side.



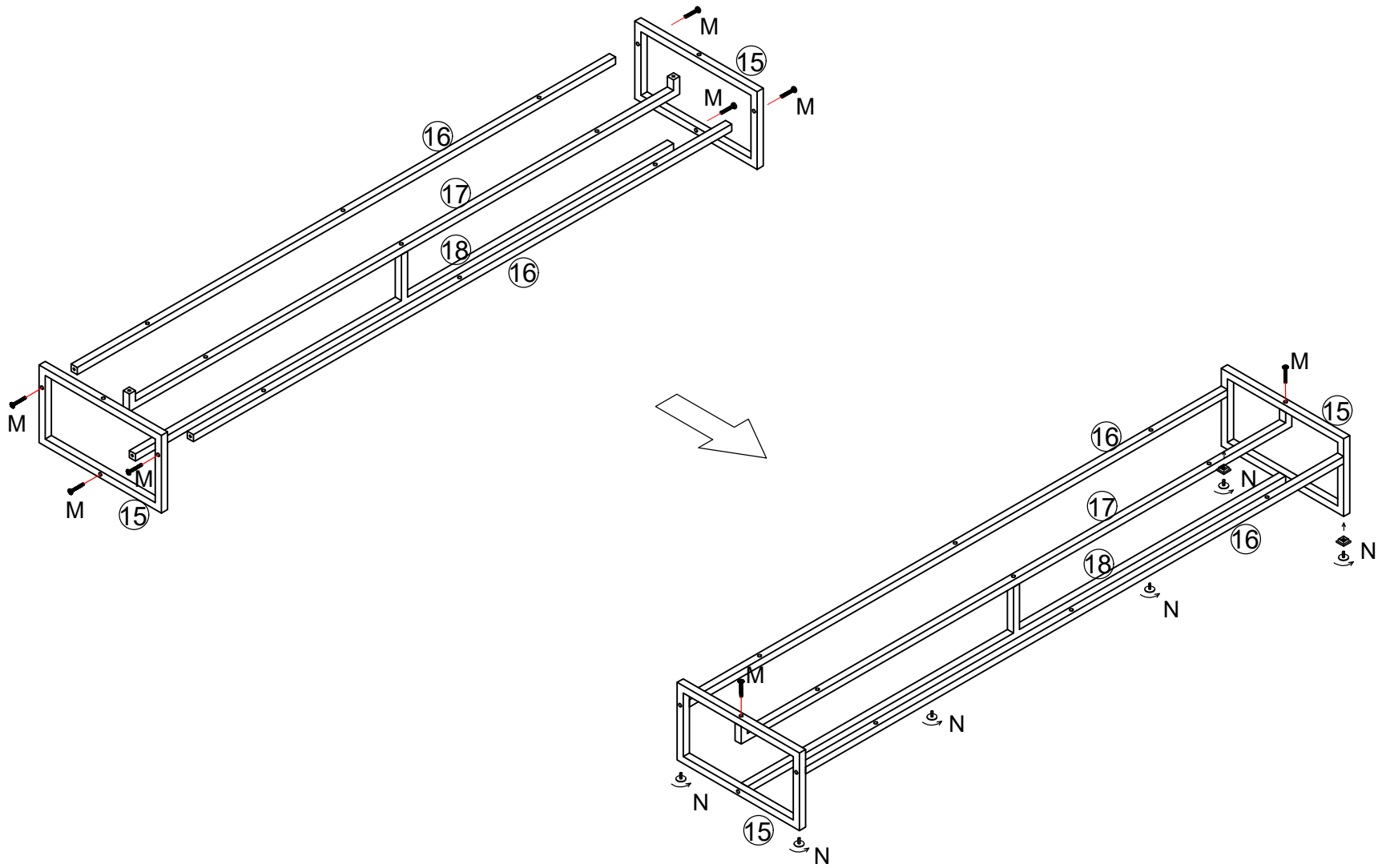
B*10



M*1

put B on board ③④⑤⑥⑦

5

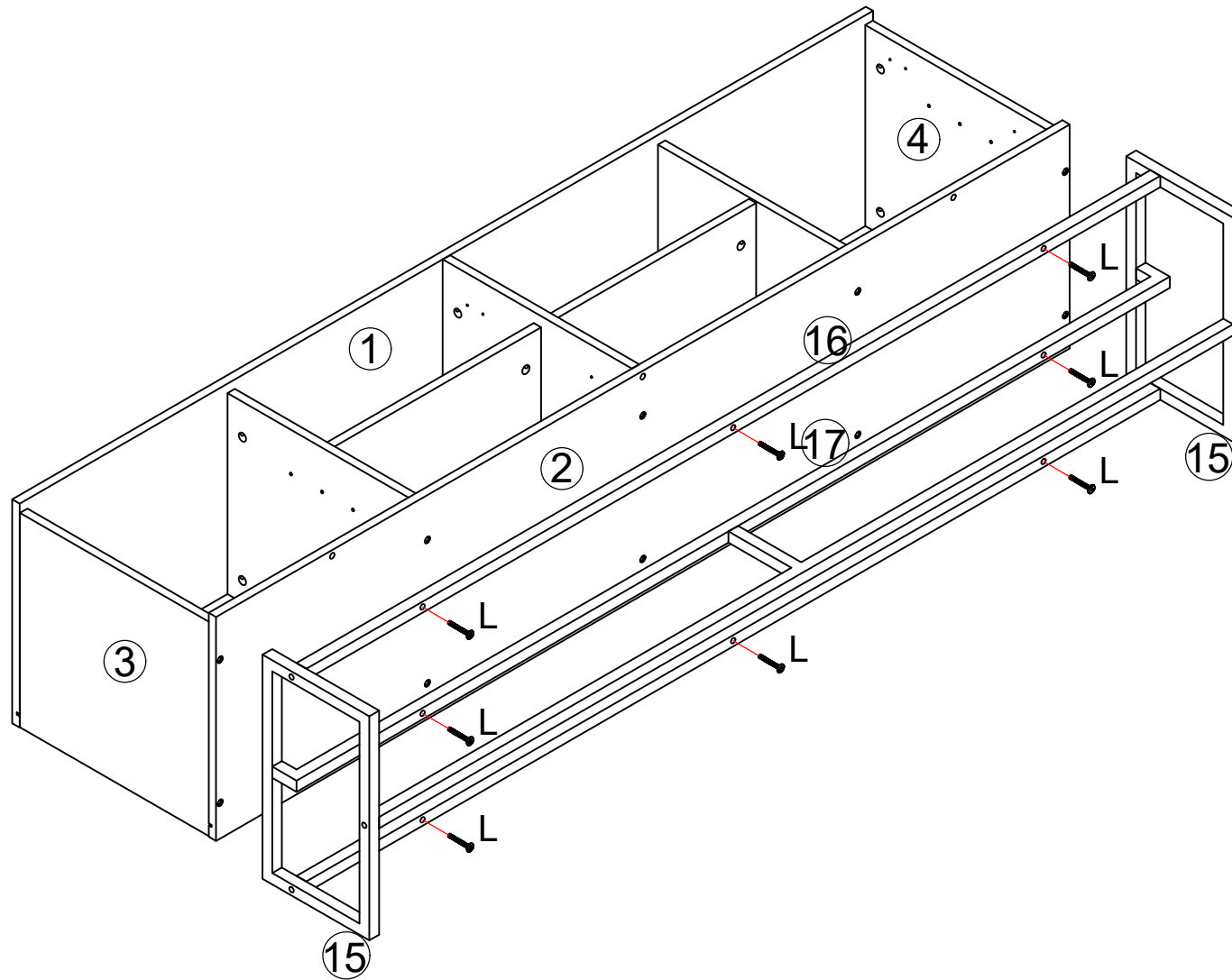


M*8



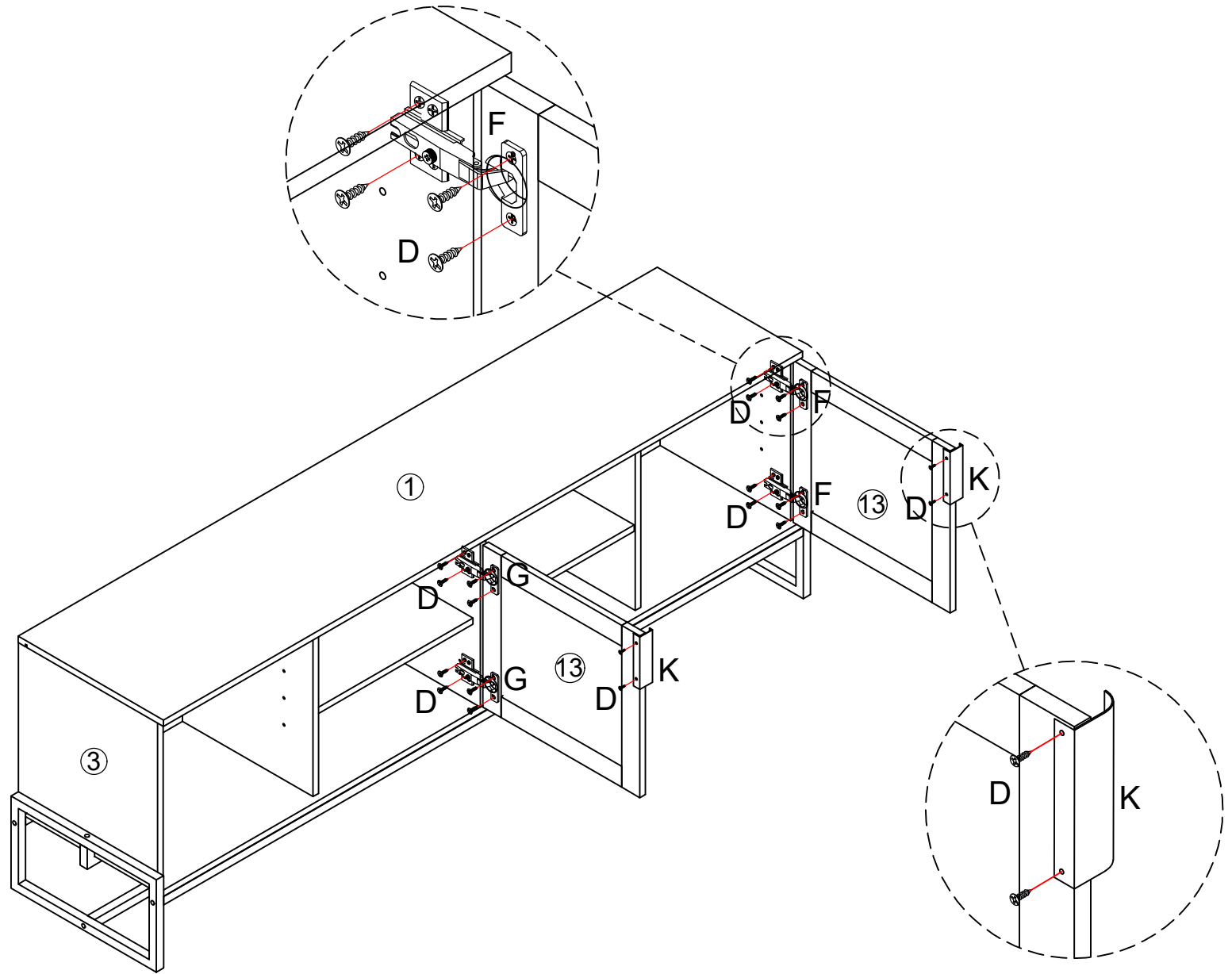
N*6


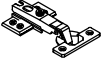


6



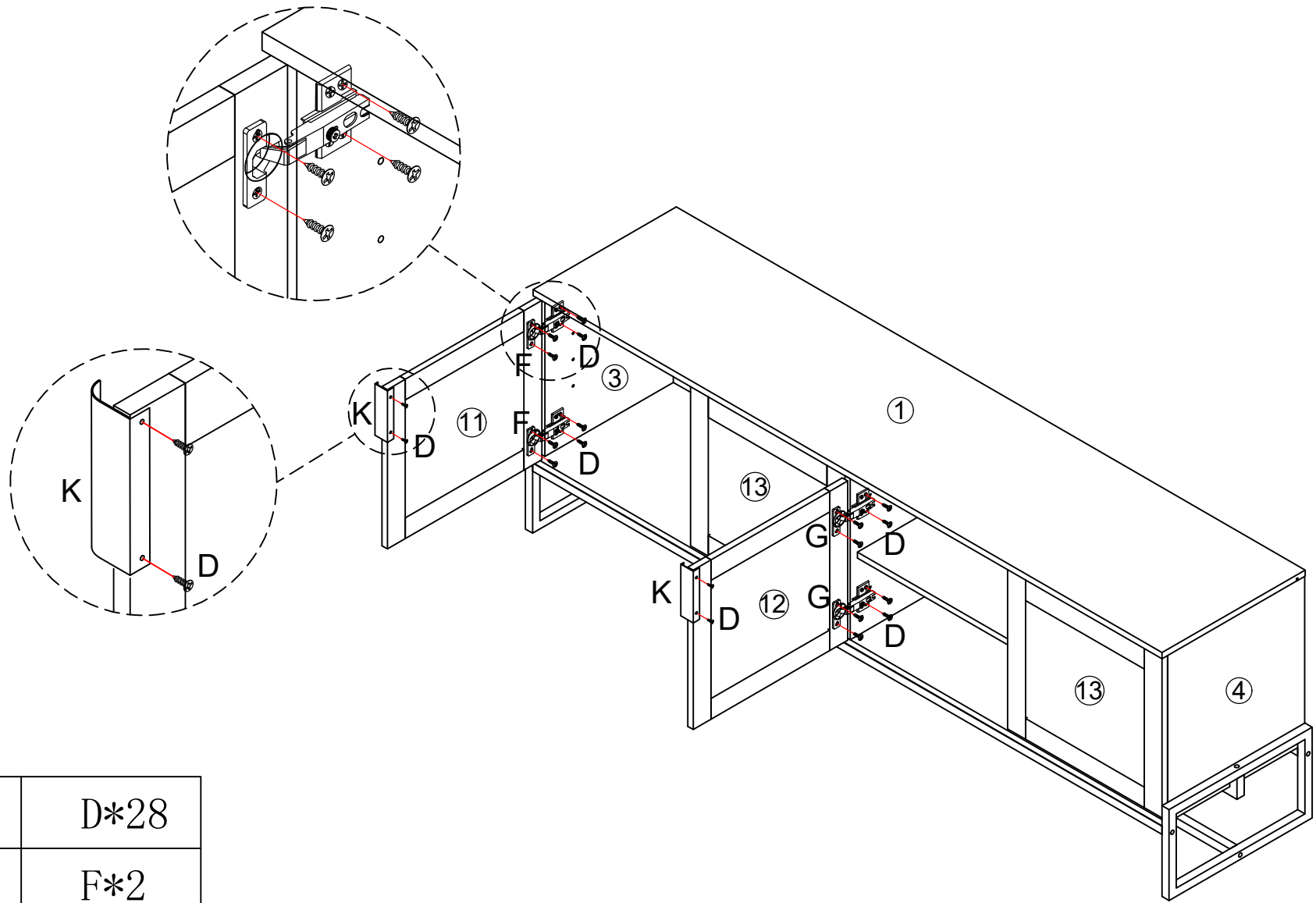
L*8


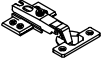


7



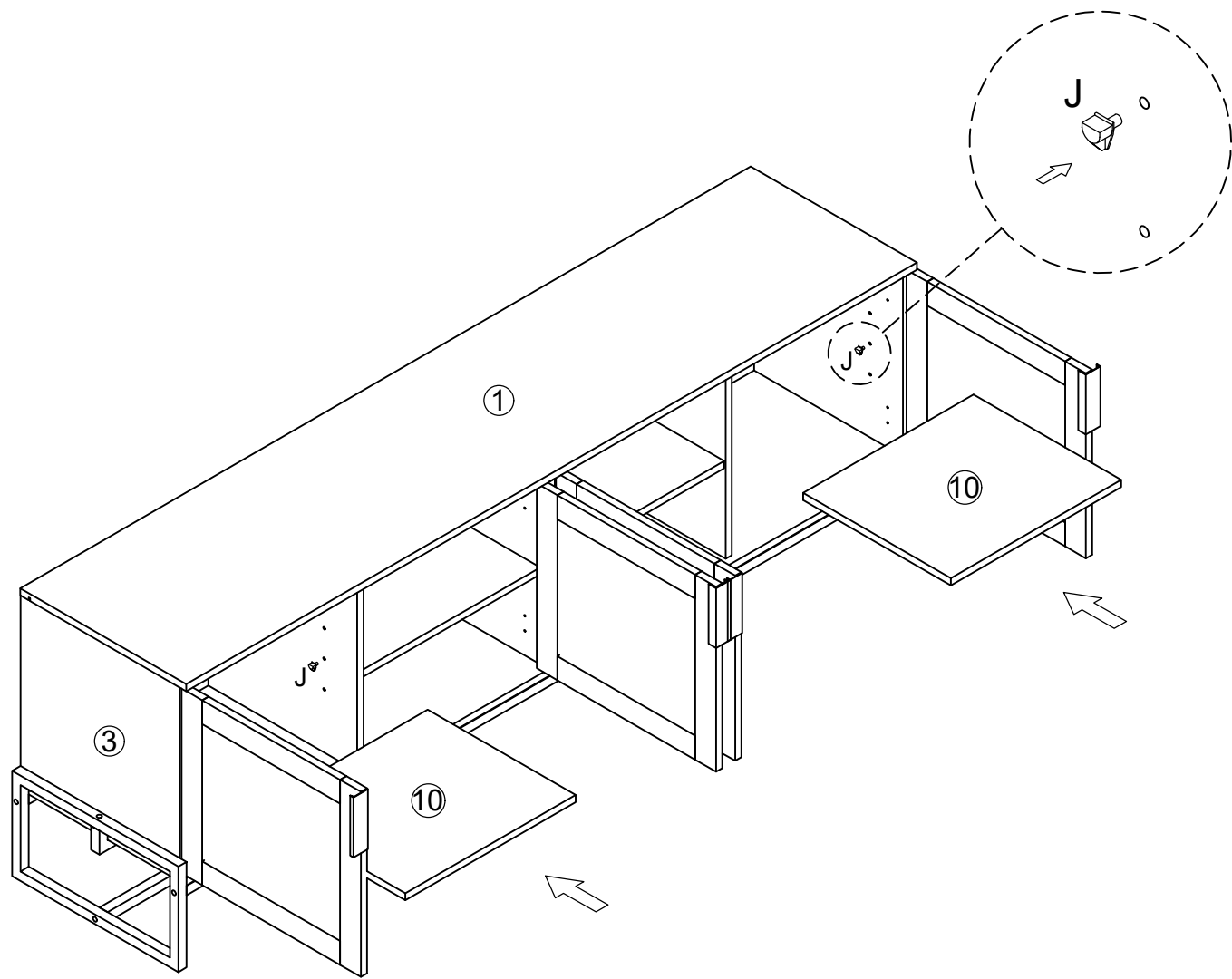
	D*28
	F*2
	G*2
	K*2

8



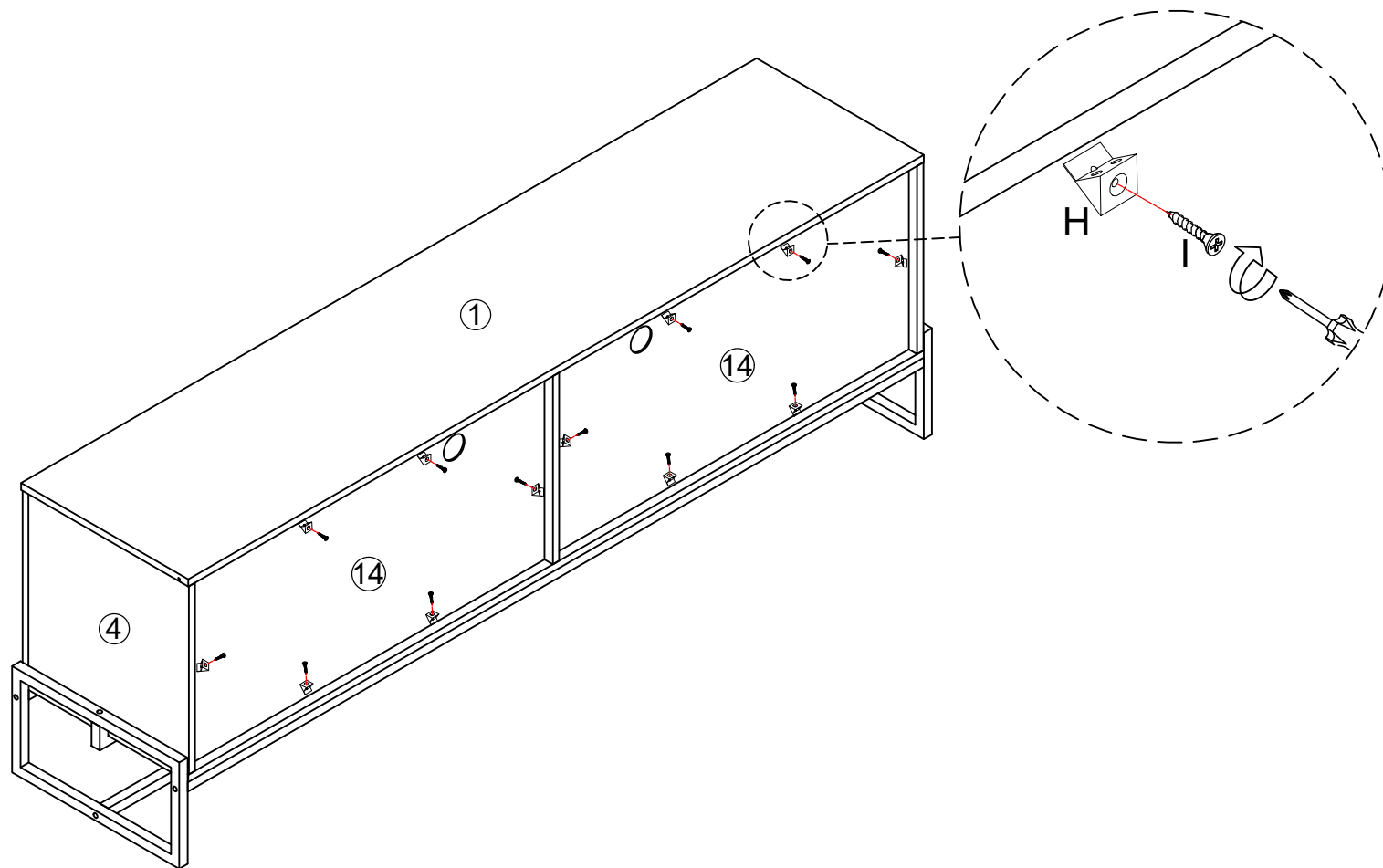
	D*28
	F*2
	G*2
	K*2

9



J*8

10



H*12



I*12

