

H



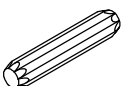
6PCS

I



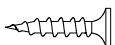
1PCS

A



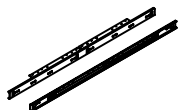
16PCS

B



56PCS

C



2PCS

D



6PCS

7*50

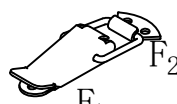
E



32PCS

7*70

F



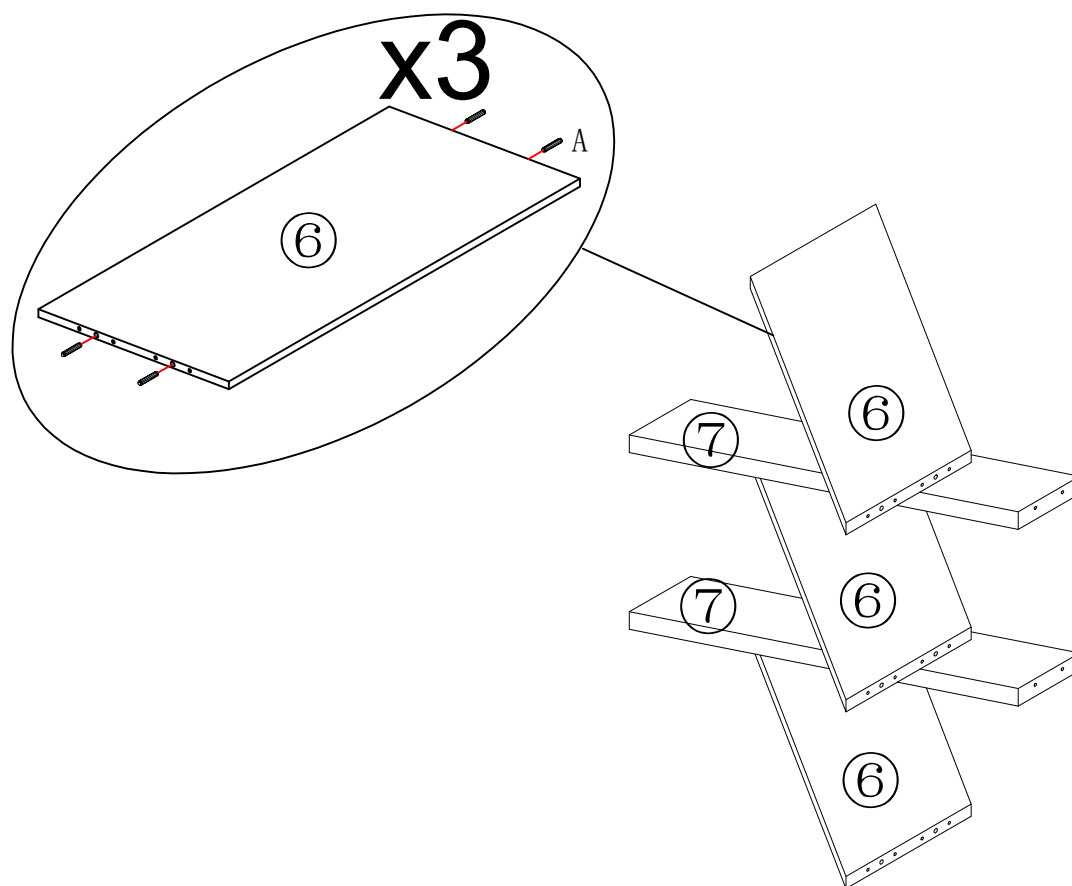
F₁
F₂
4PAIRS

G



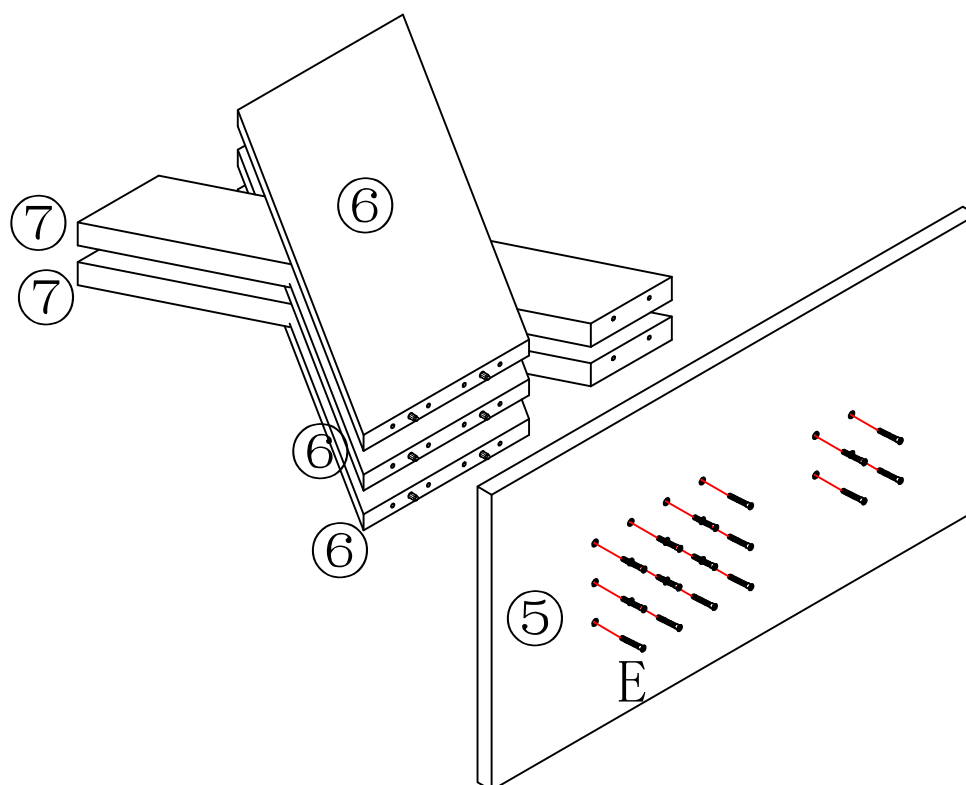
8PCS

STEP 1



A*12

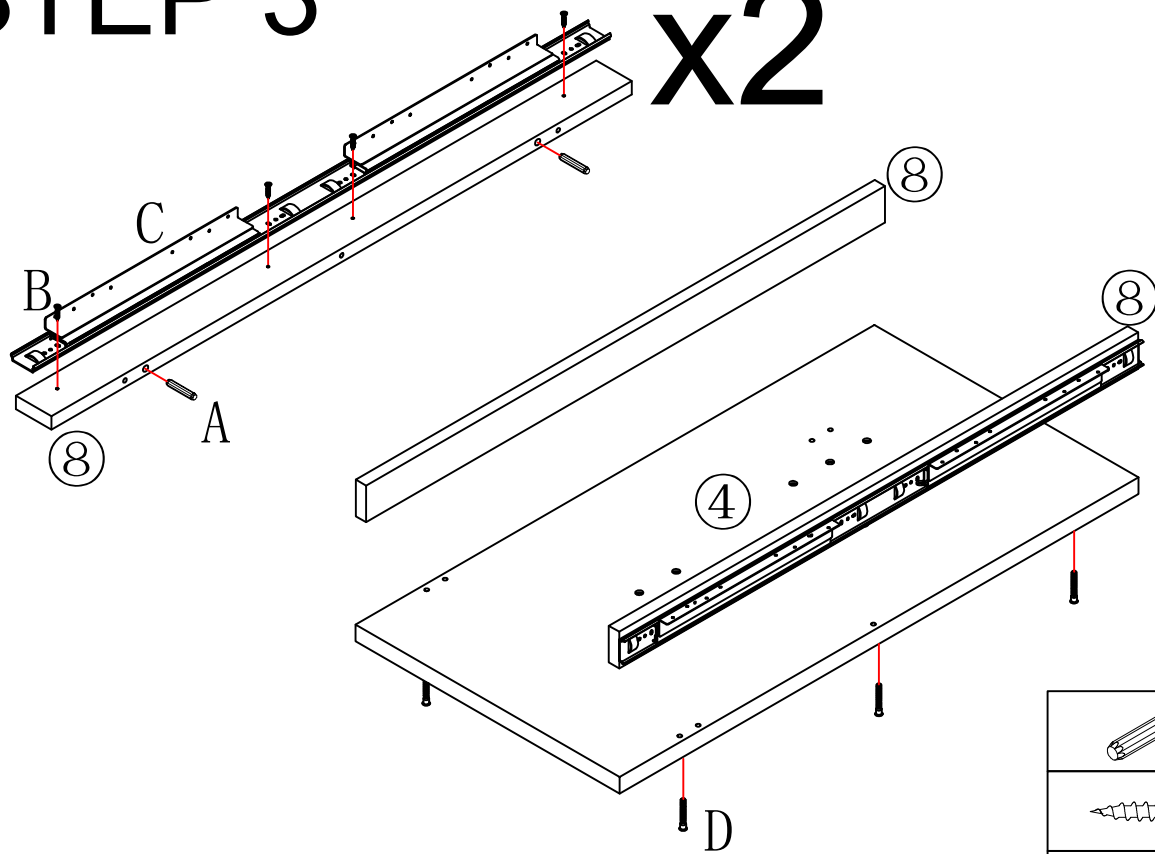
STEP 2







E*16

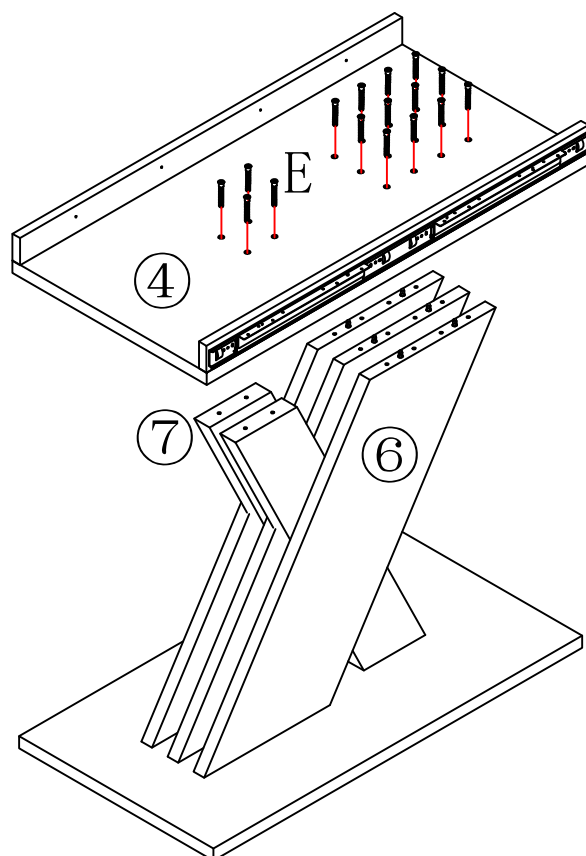
STEP 3


x2



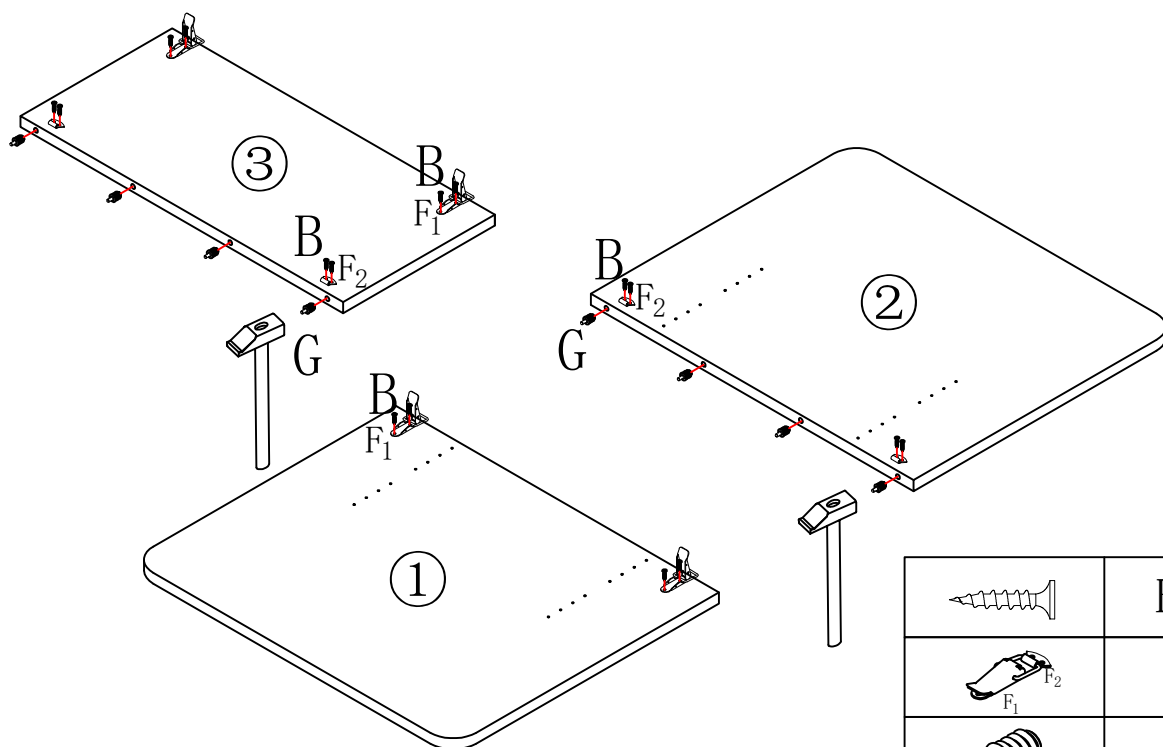
	A*4
	B*8
	C*2
	D*6

STEP 4



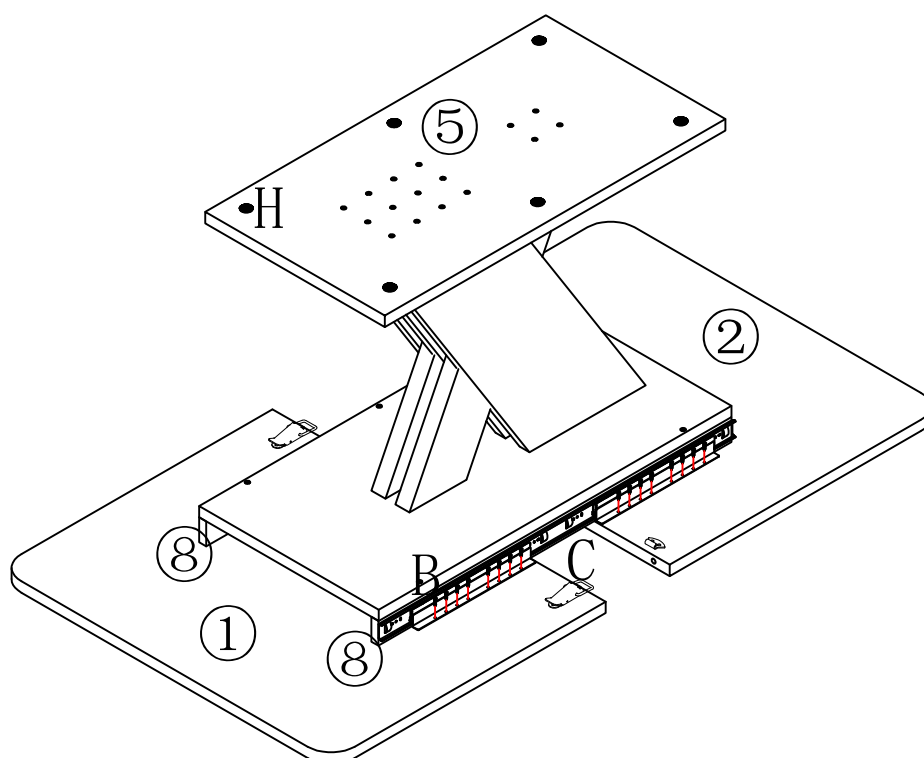
	E*16
---	------

STEP 5



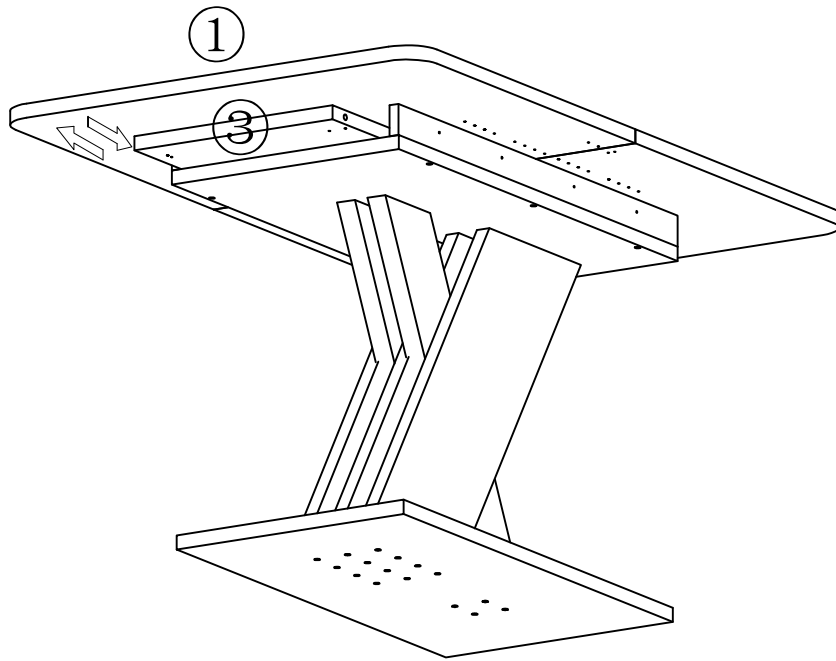
	B*16
	F*4
	G*8
	NOT PROVIDED

STEP 6



	B*32
	H*6

STEP 7



STEP 8

