

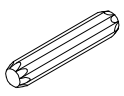

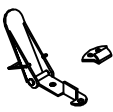


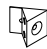

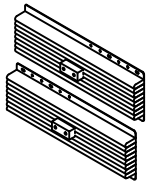
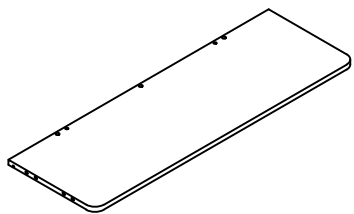


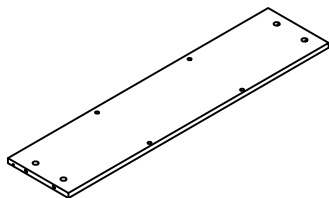
<p>A</p>  <p>55PCS</p>	<p>B</p>  <p>55PCS</p>	<p>C</p> <p>8*40</p>  <p>41PCS</p>	<p>D</p> <p>3.5*14</p>  <p>32PCS</p>	<p>E</p>  <p>2PCS</p>	<p>F</p> <p>6*25</p>  <p>8PCS</p>	<p>G</p> <p>8*25</p>  <p>4PCS</p>	<p>H</p>  <p>8PCS</p>	<p>I</p> <p>3*12</p>  <p>8PCS</p>	<p>J</p>  <p>1PCS</p>
--	---	---	---	---	--	--	--	--	--

1



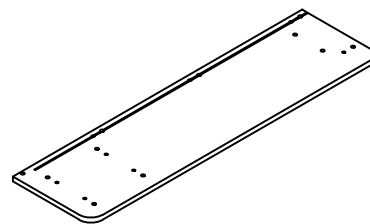
900\*300 1PS

2



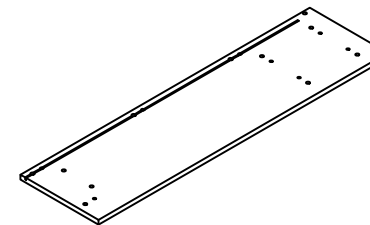
900\*209 1PS

3



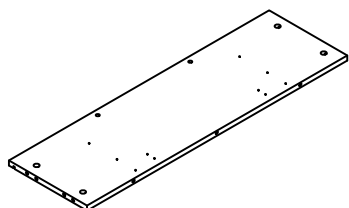
1000\*270 1PS

4



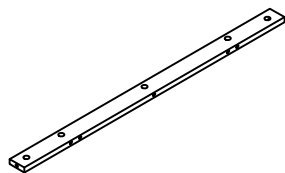
1000\*270 1PS

5



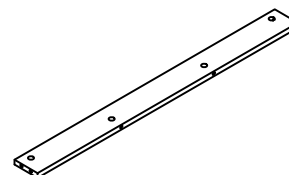
900\*270 1PS

6



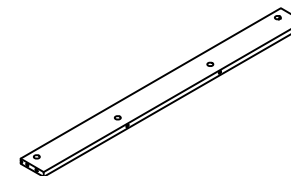
900\*50 1PS

7



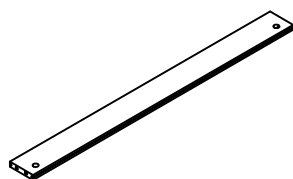
900\*80 2PS

8



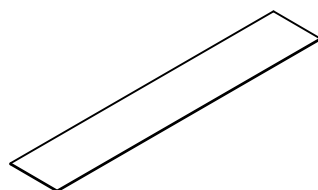
900\*80 1PS

9



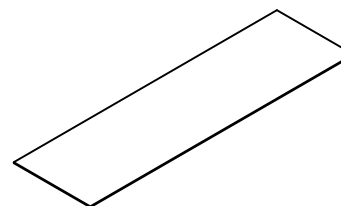
900\*80 1PS

10



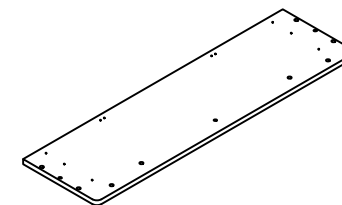
910\*162 1PS

11



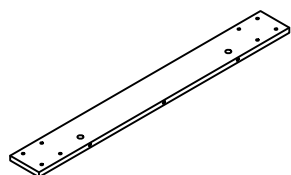
910\*264 2PS

12



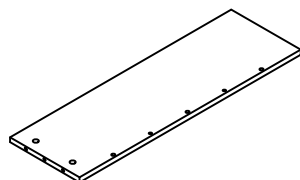
898\*255 1PS

13



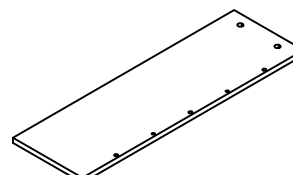
866\*100 1PS

14



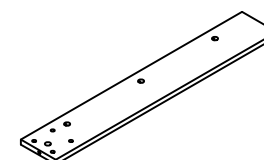
765\*240 1PS

15



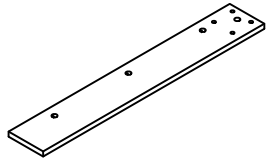
765\*240 1PS

16



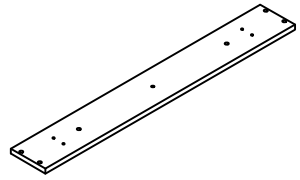
765\*120 1PS

17



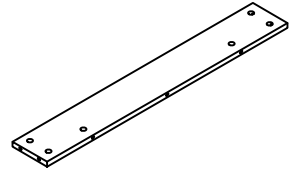
765\*120 1PS

18



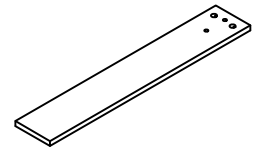
863\*120 1PS

19



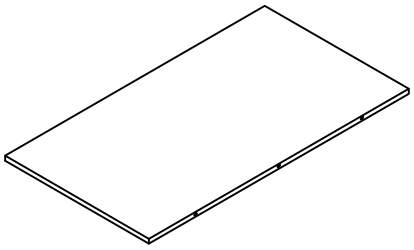
831\*120 1PS

20



693\*120 2PS

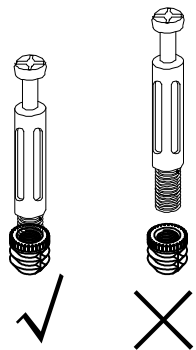
21



898\*497.5 4PS

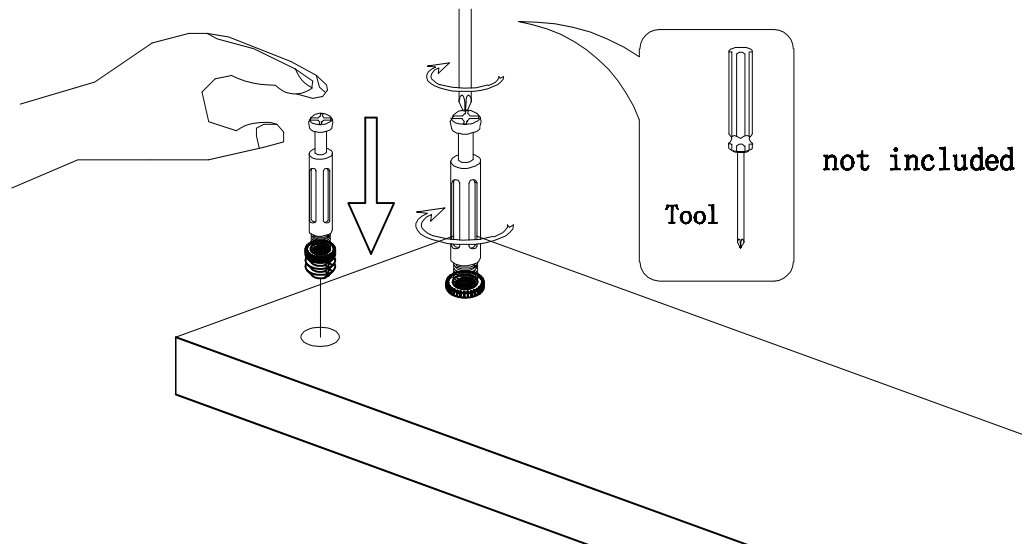
# "A" Hardware installation example

I

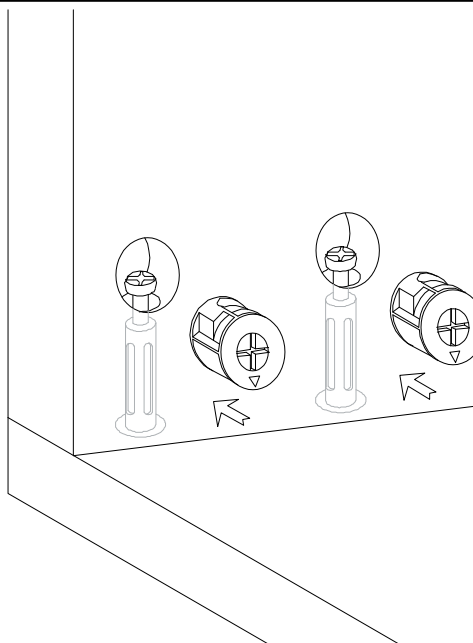


This part cannot be separated,  
please install in strict  
accordance with the assembly  
requirements

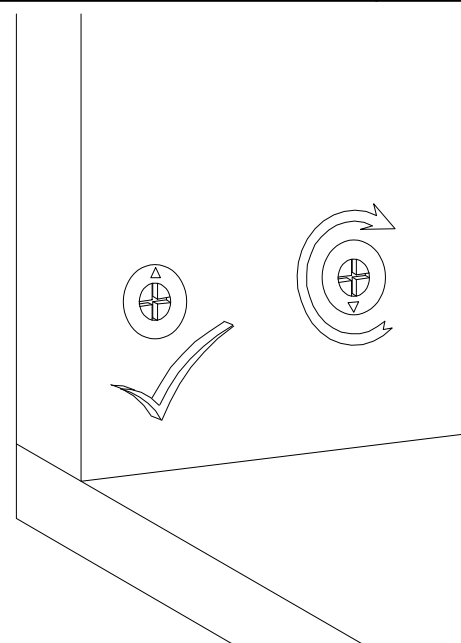
II



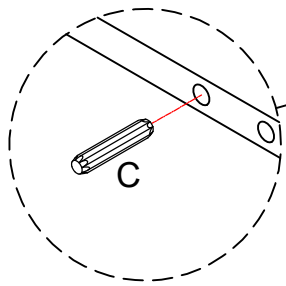
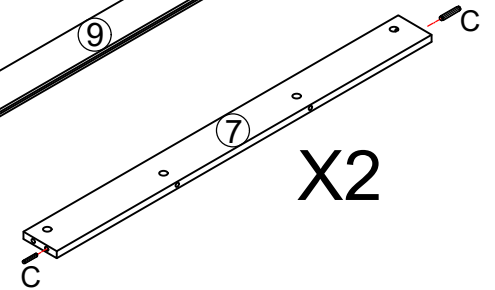
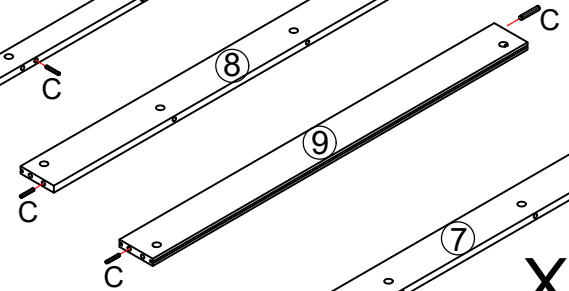
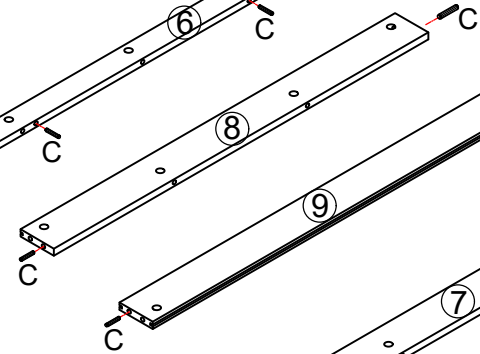
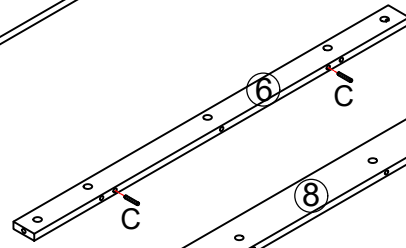
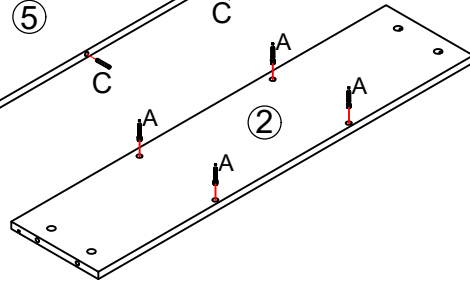
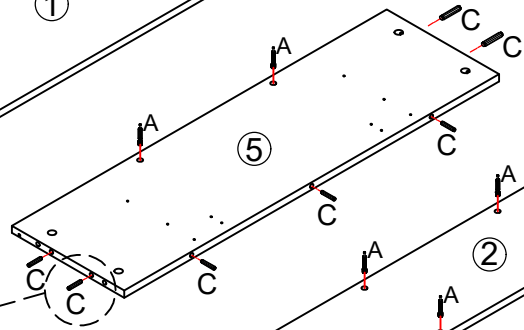
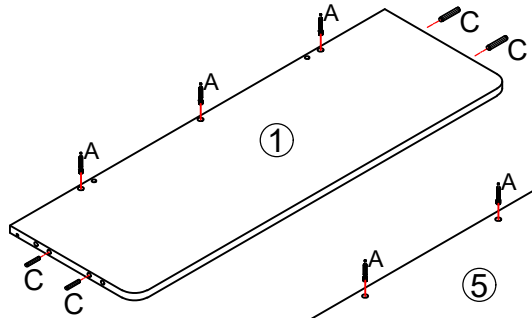
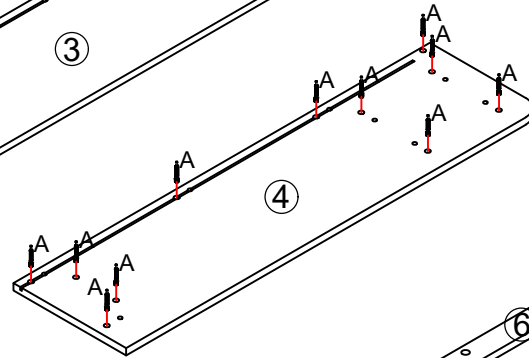
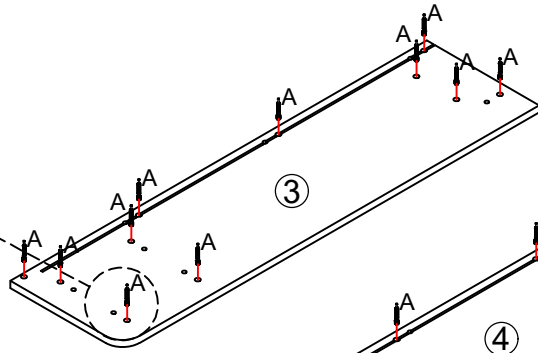
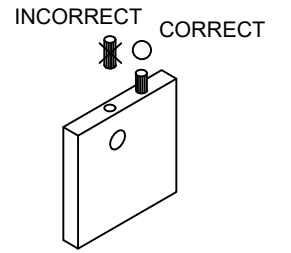
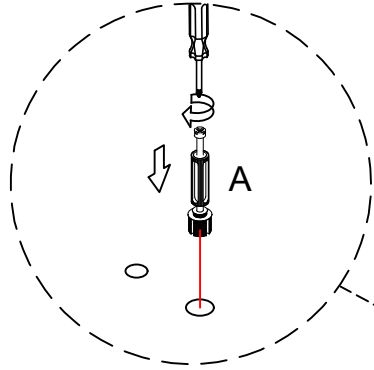
III



IV



1



A\*31

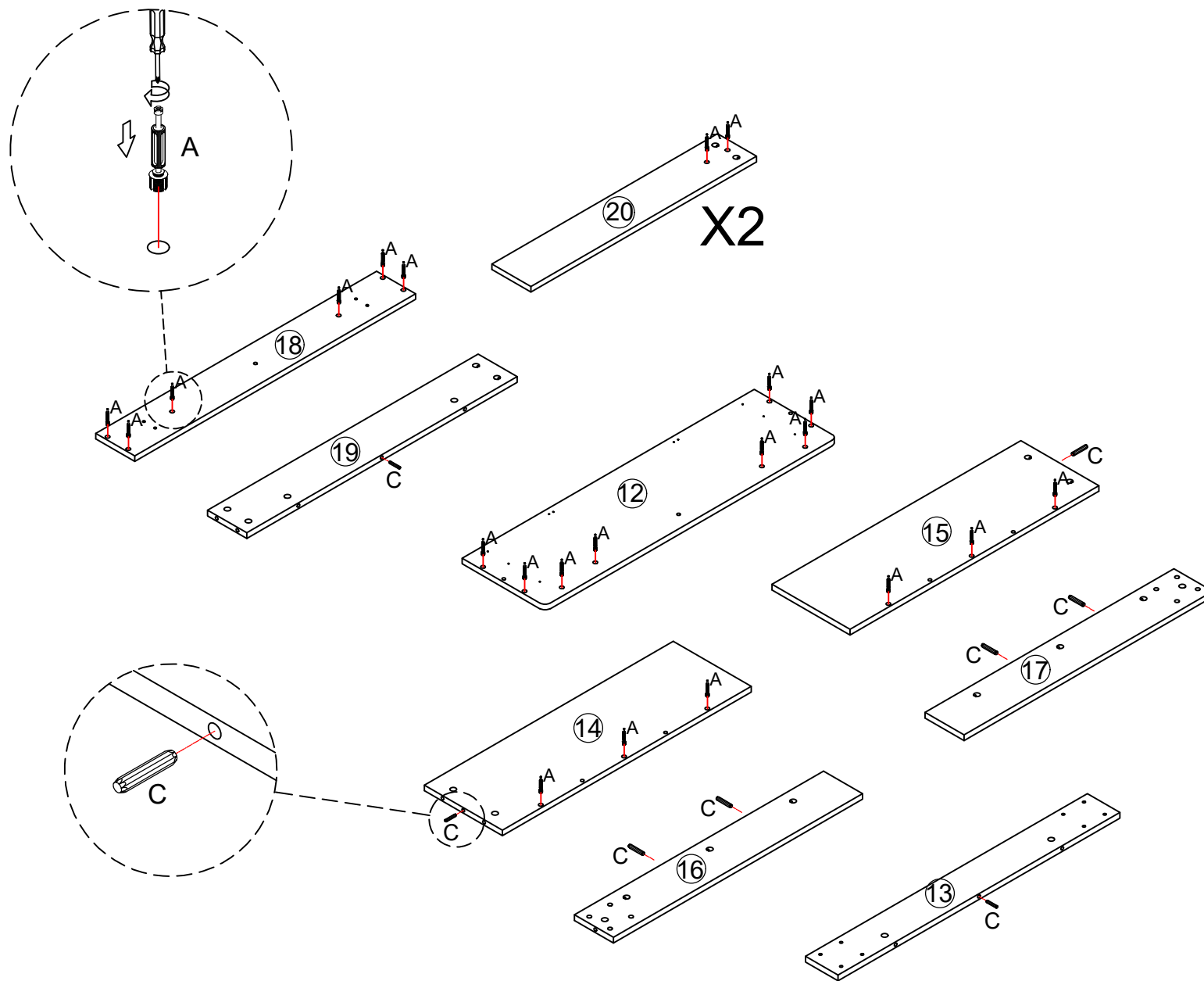


C\*21


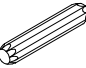
put A on board ①②③④⑤

put C on board ①⑤⑥⑦⑧⑨

2



X2

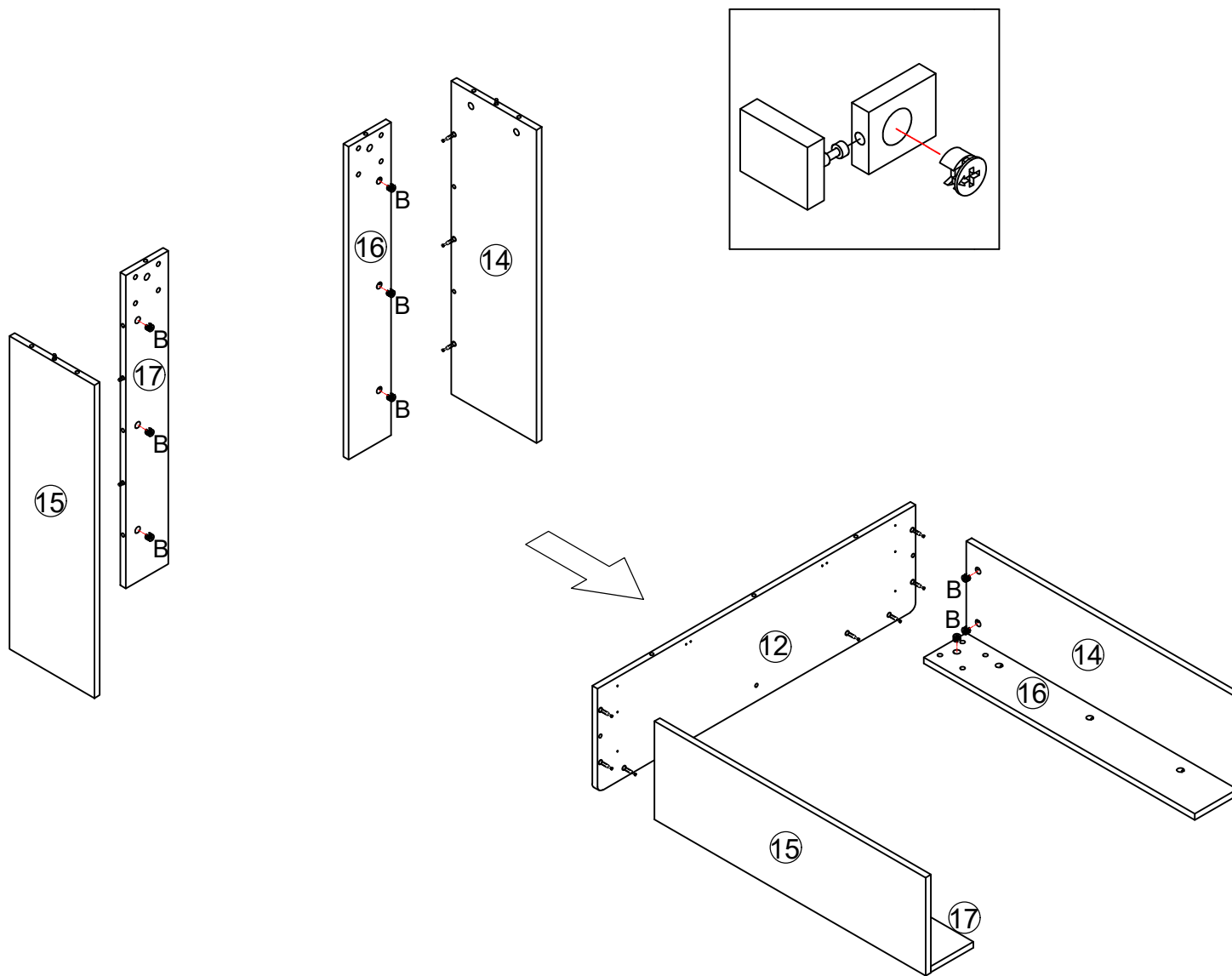
	A*24
	C*8

put A on board ⑫ ⑭ ⑮ ⑱ ⑳

put C on board ⑬ ⑭ ⑮ ⑯ ⑰ ⑱

3

Make sure the arrow on the screw align to the hole on the side.

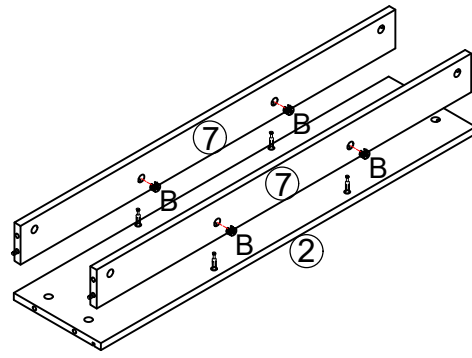
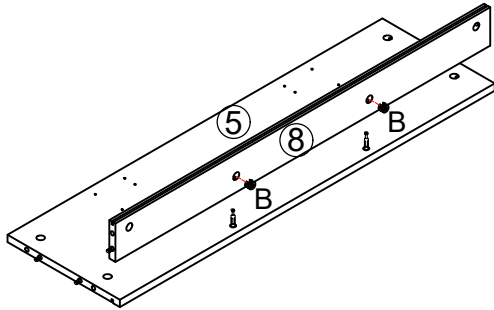
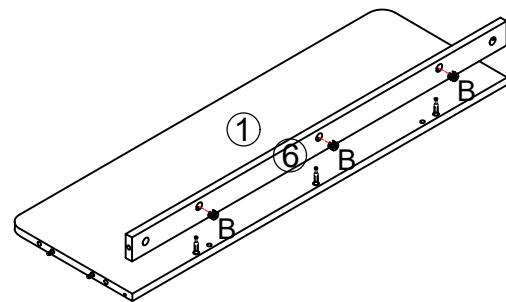
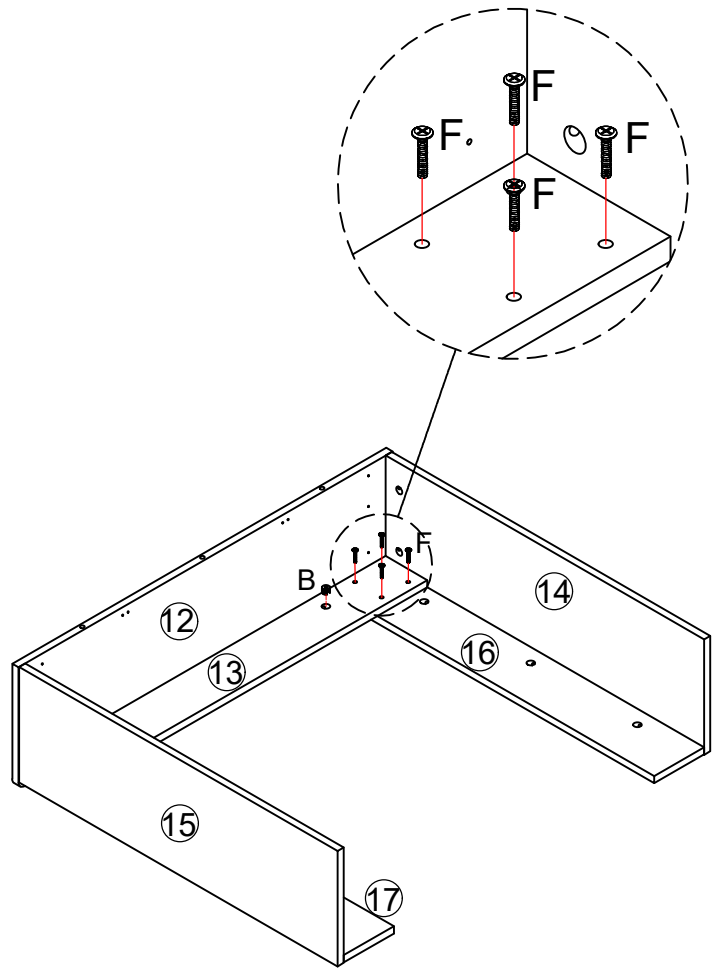




B\*12

put B on board 14 15 16 17



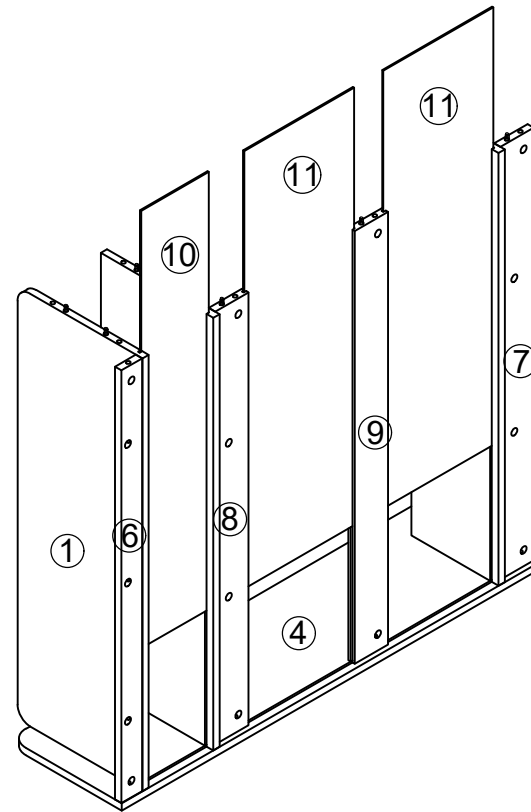
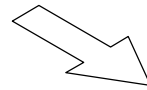
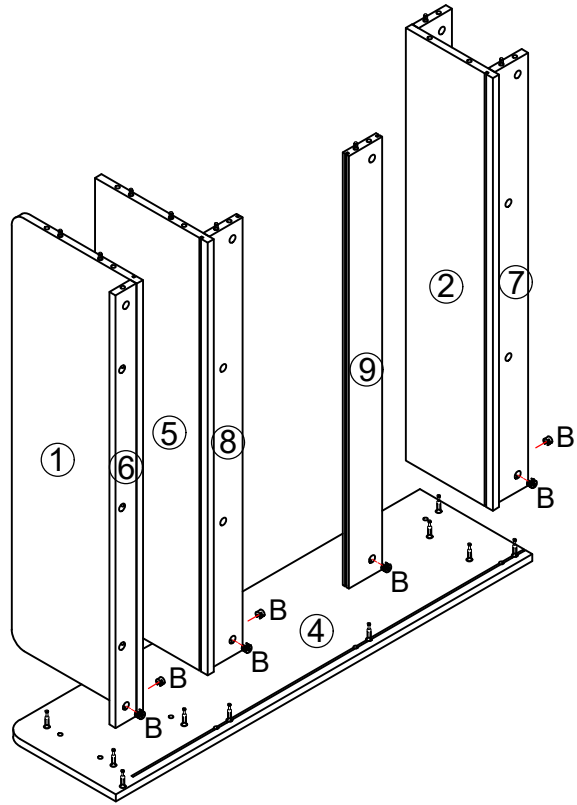
4



	B*11
	F*8

put B on board ⑥⑦⑧⑬

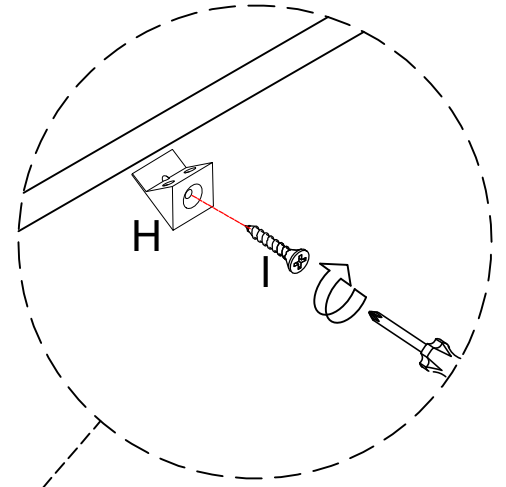
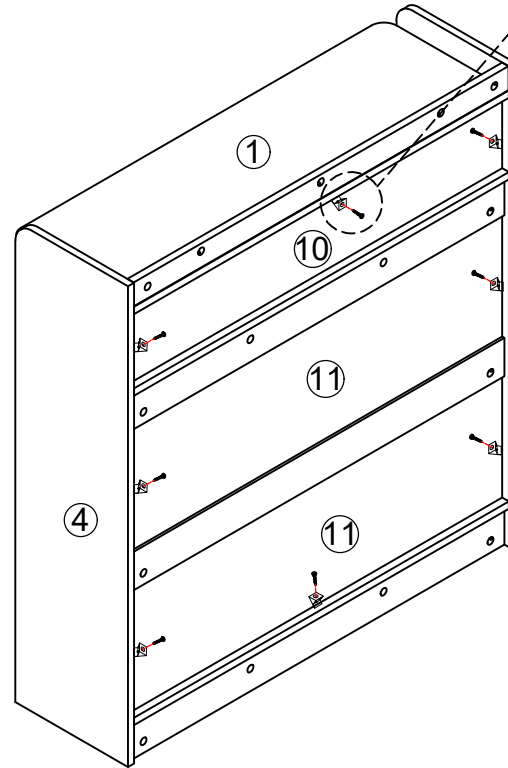
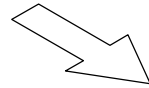
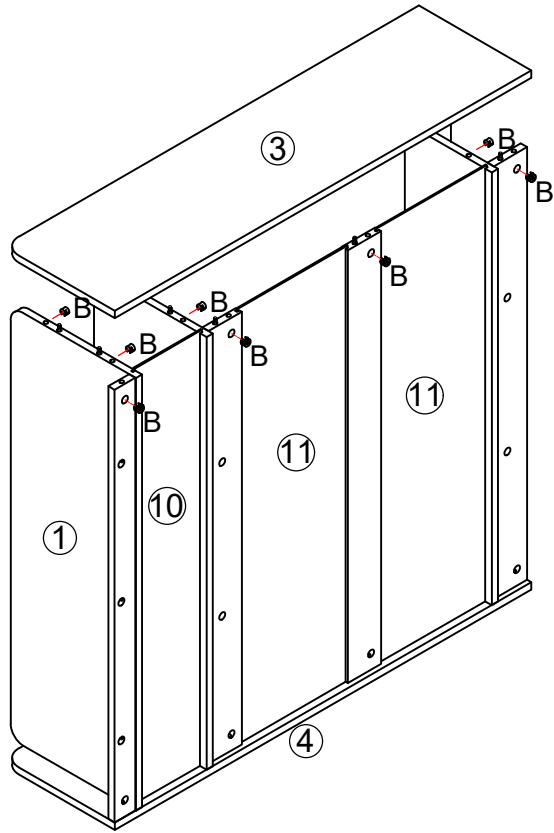
5



B\*11

put B on board ①②⑤⑥⑦⑧⑨

6



B\*11



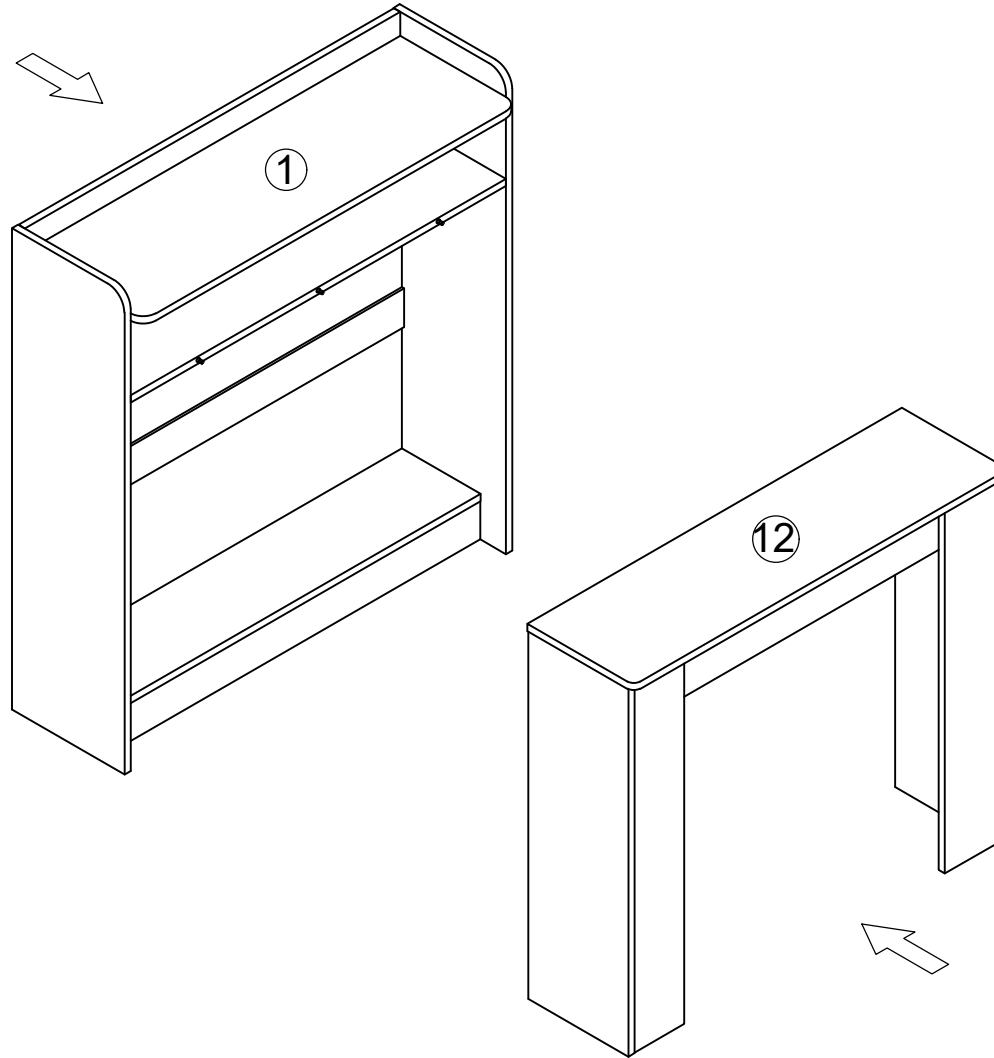
H\*8



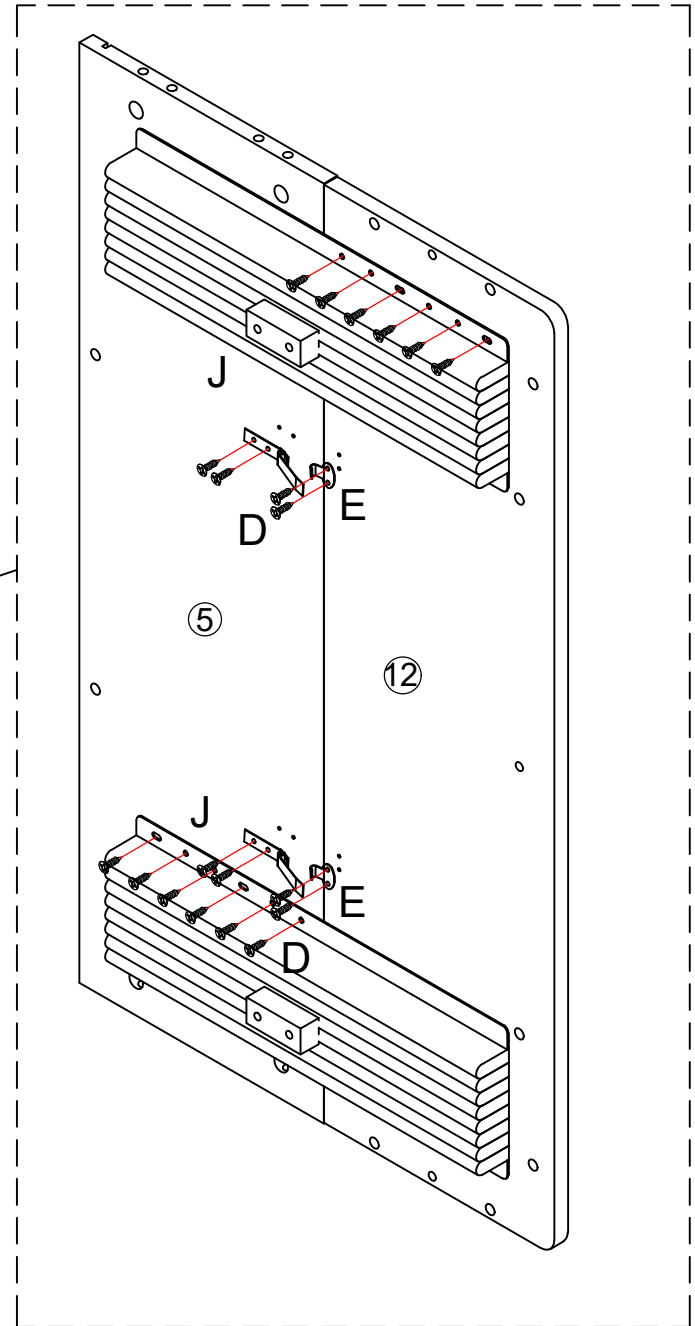
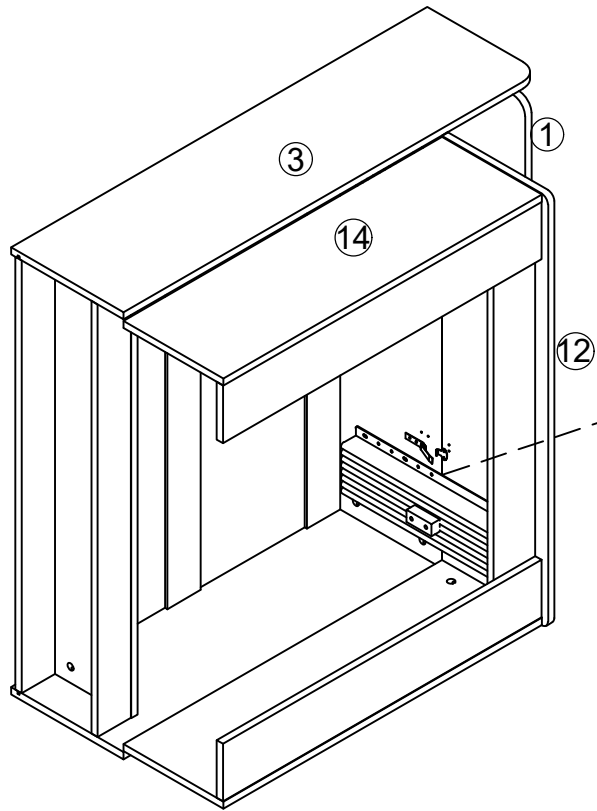
I\*8




put B on board ①②⑤⑥⑦⑧⑨

7

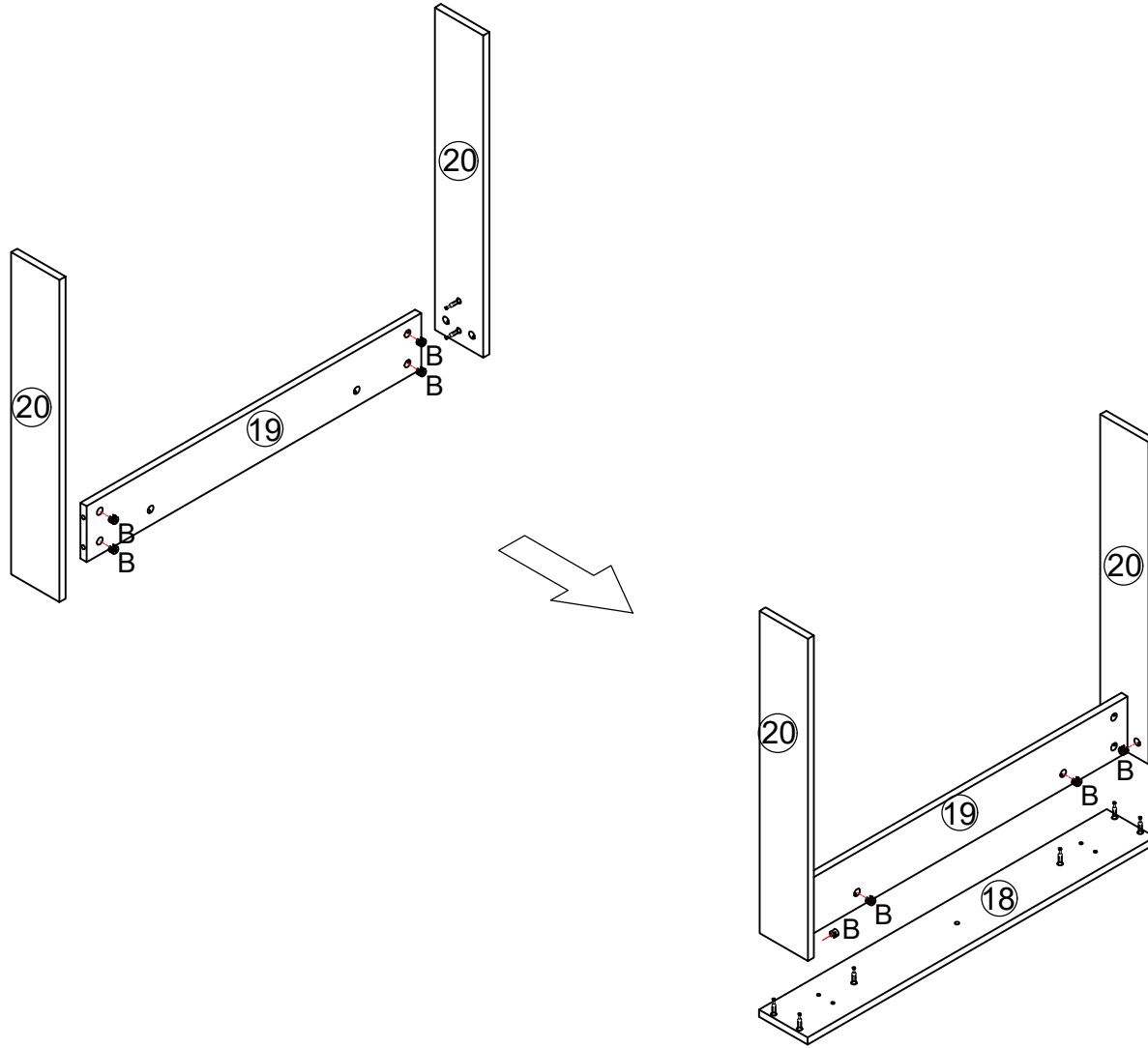


8



	D*32
	E*2
	J*1

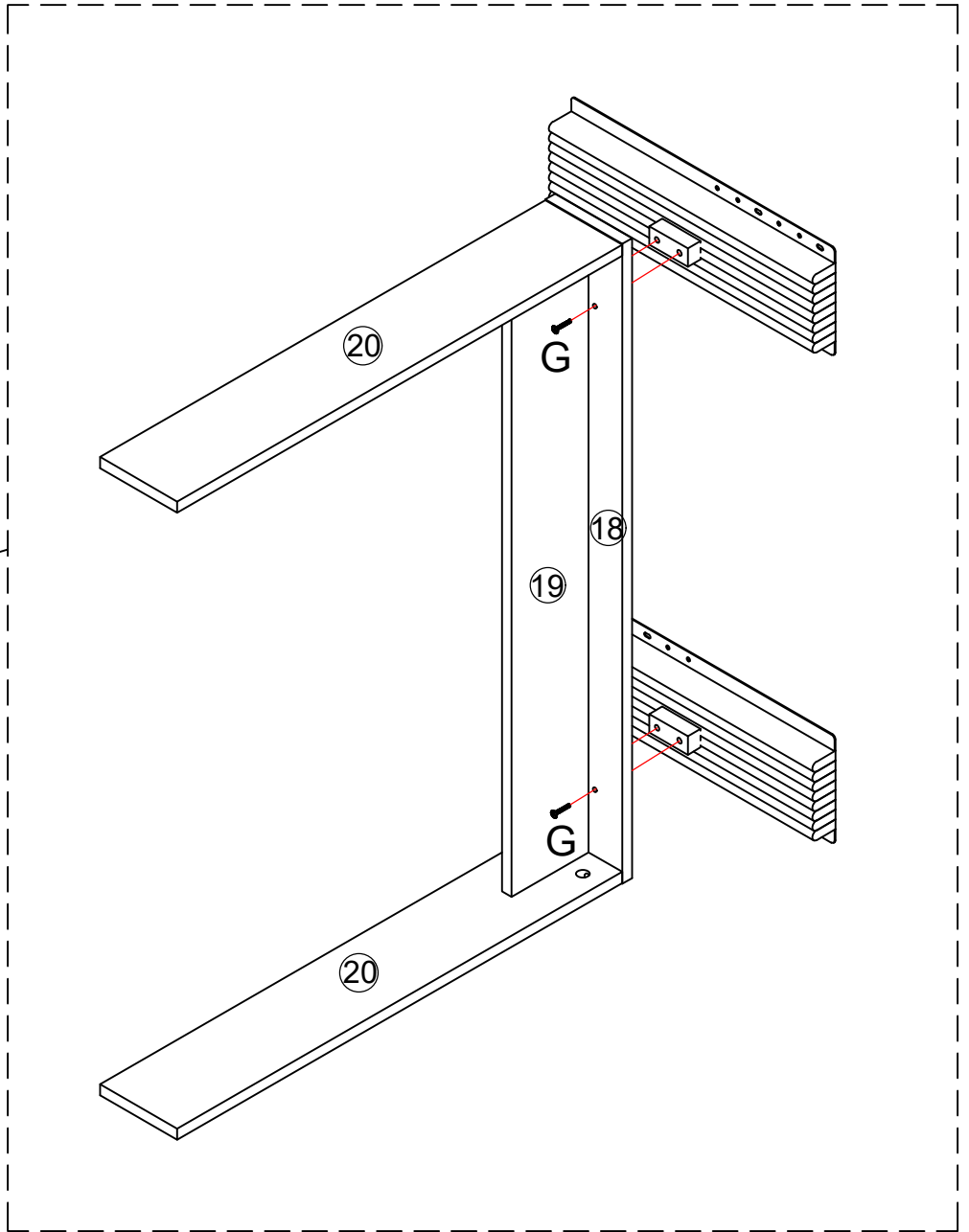
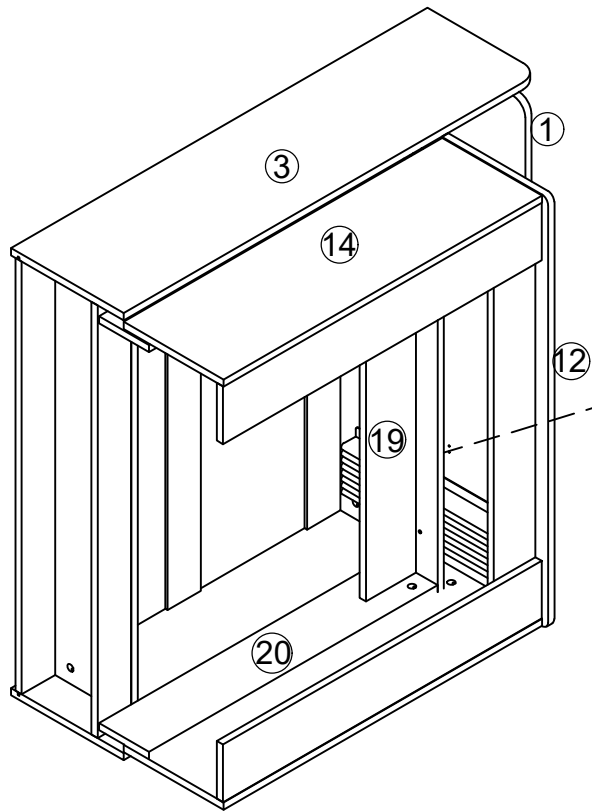
9



B\*10

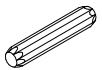
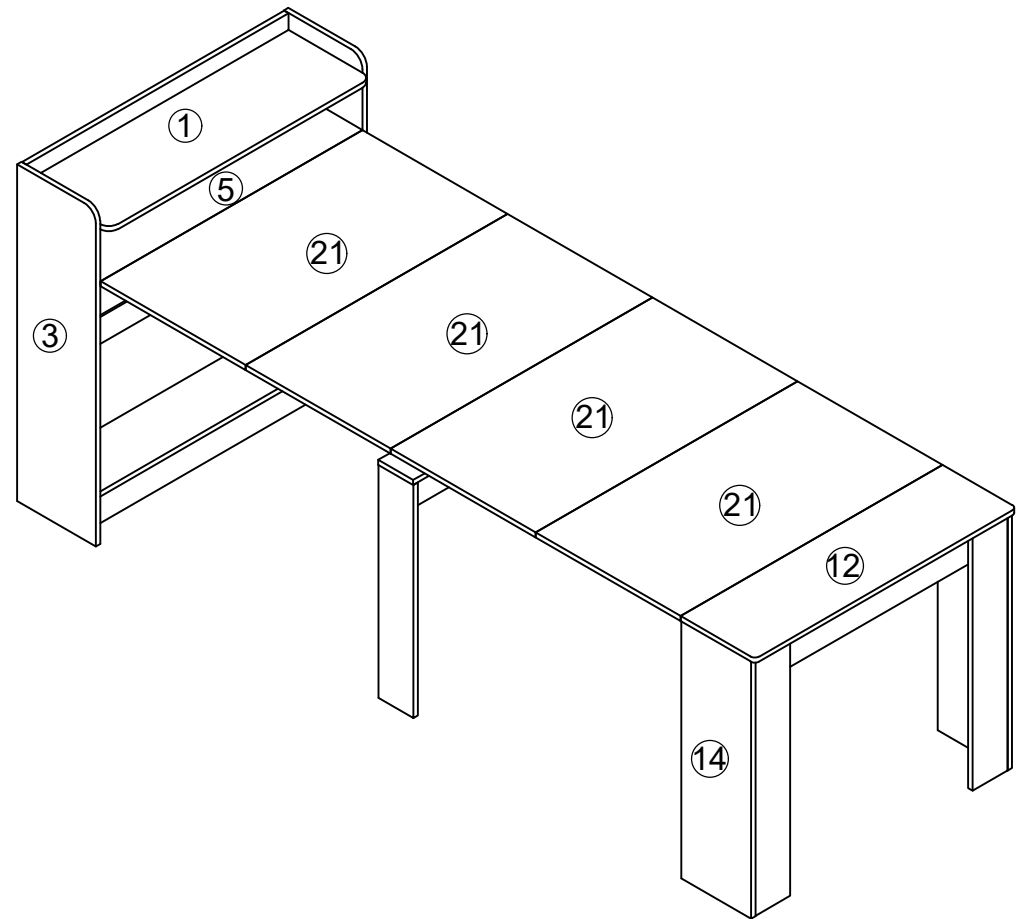
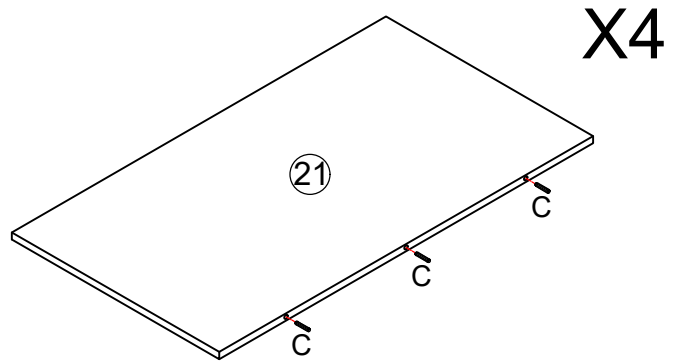
put B on board 19 20

10



G\*4

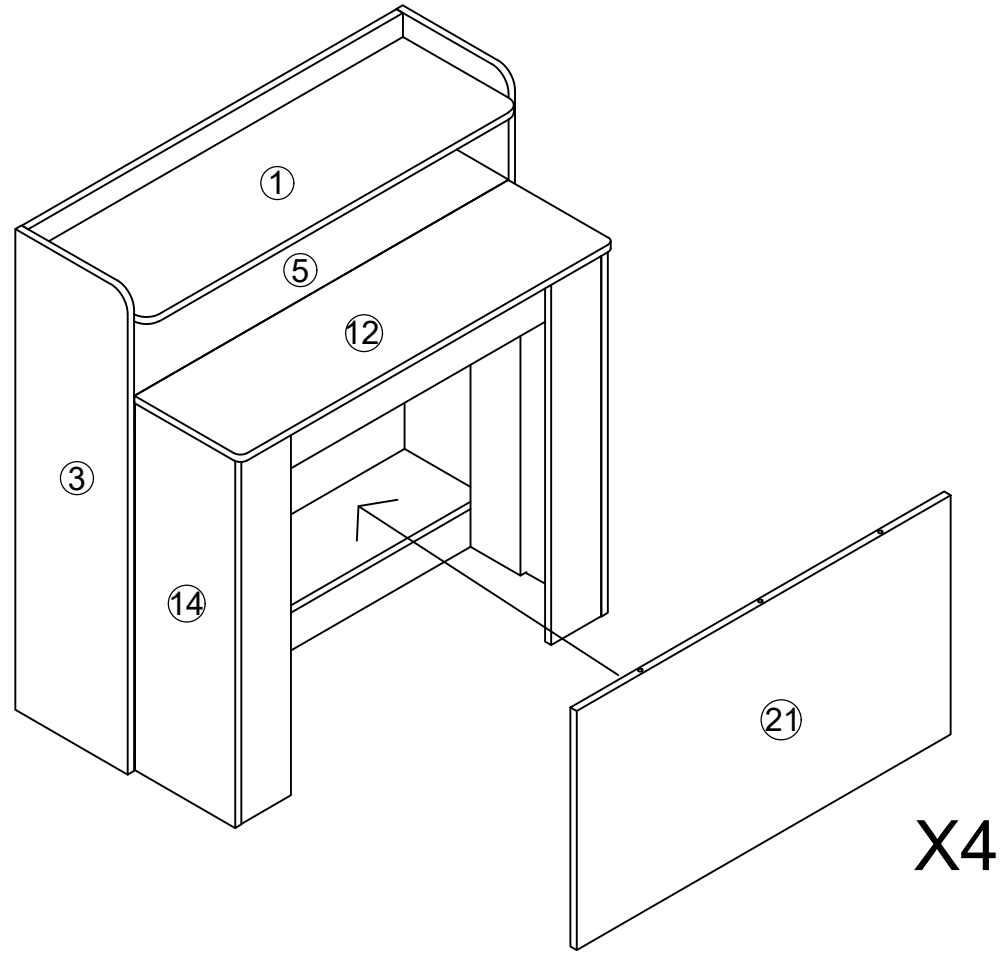
11



C\*12



12



END

