



WARNING!

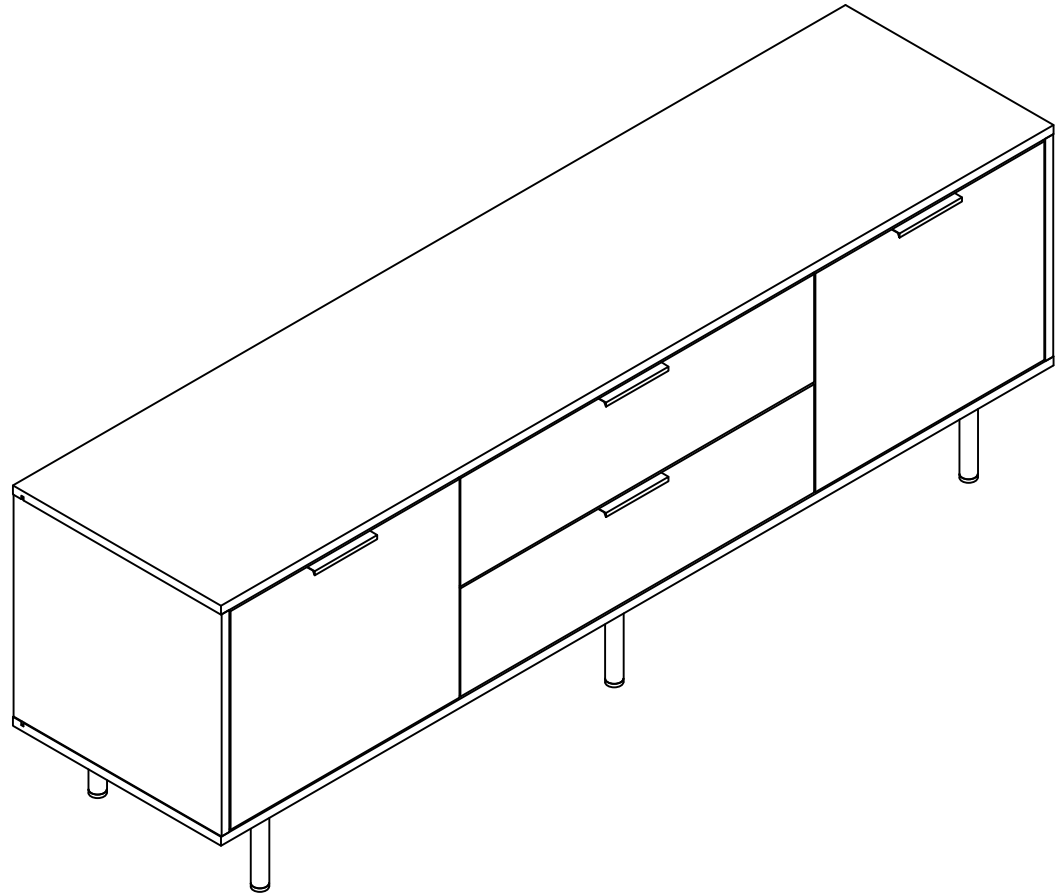
Children have died from furniture tipover. Fixed wall device have been included with this product;you must install the fixed wall device according to these instructions in order to minimize the risk of furniture.If you have any questions about this product or the Fixed wall device , please contact us immediately.

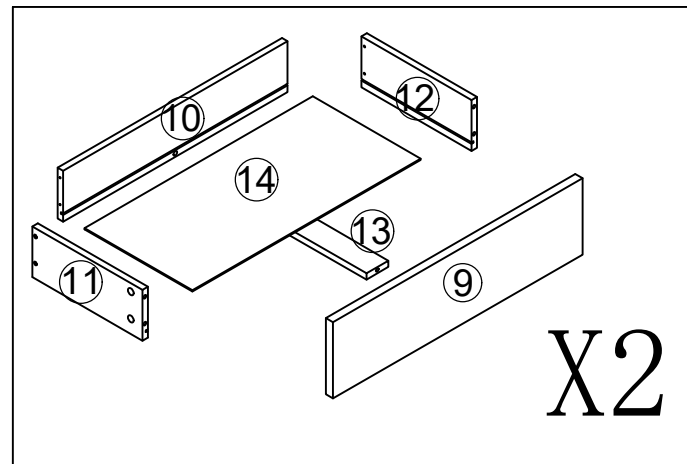
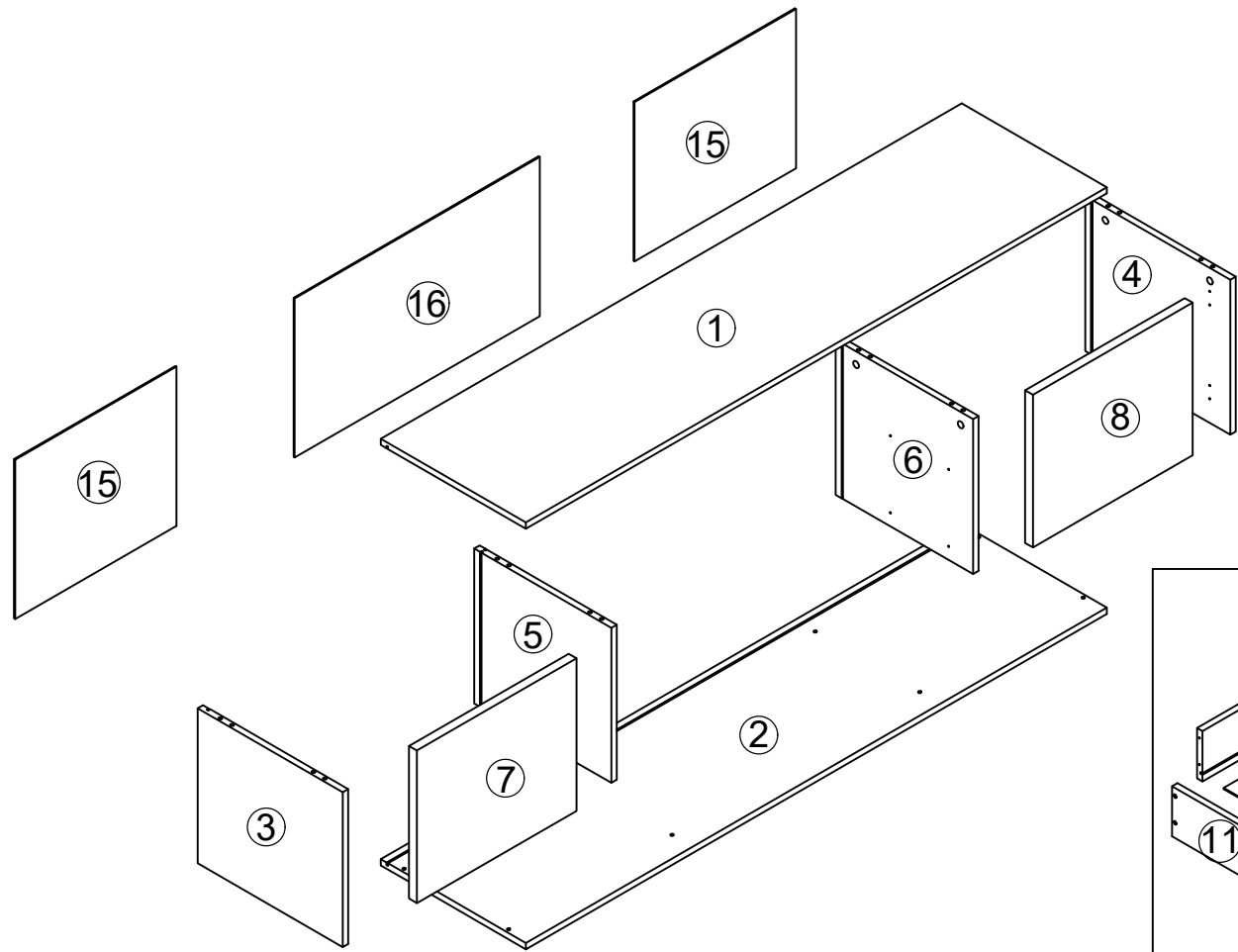
Never allow children to climb or hang on furniture,including drawers or cabiner doors.

In addition to installing the restrains,to help prevent tip-over.

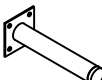
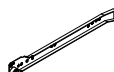
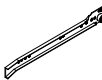
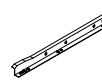
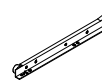
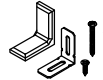


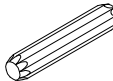

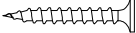
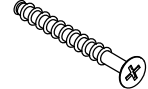
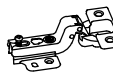
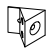

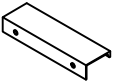
1. Never put a TV or other heavy objects on top of this product.
2. Do not stand on the product.

! WARNING	
	Children have died from furniture tipover. To reduce the risk of furniture tipover: <ul style="list-style-type: none">• ALWAYS install tipover restraint provided.• NEVER put a TV on this product.• NEVER allow children to stand, climb or hang on drawers, doors, or shelves.• NEVER open more than one drawer at a time.• Place heaviest items in the lowest drawers.• Do not defeat or remove the drawer interlock system. <p><i>This is a permanent label. Do not remove!</i></p>
	

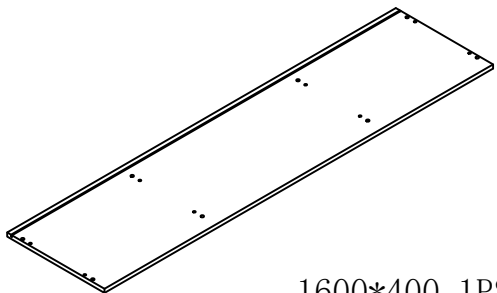




X2

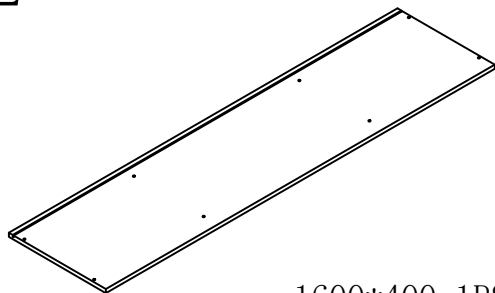
K	150mm	L	300mm	M	300mm	N	300mm	O	300mm	P					
															
6PCS	2PCS	2PCS	2PCS	2PCS	2PCS										
A	B	C	8*40	D	3.5*14	E	3.5*35	F	7*50	G	H	I	3*12	J	96mm
															
20PCS	20PCS	8PCS	72PCS	8PCS	8PCS	4PCS	14PCS	14PCS	4PCS						

1



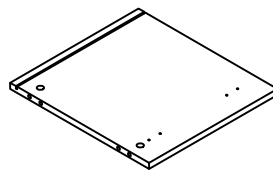
1600*400 1PS

2



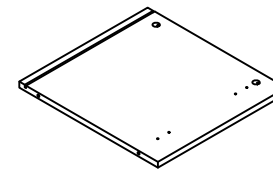
1600*400 1PS

3



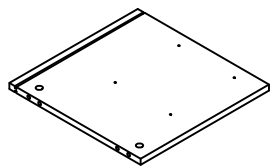
370*400 1PS

4



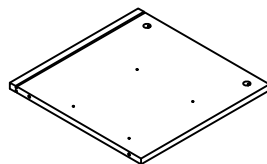
370*400 1PS

5



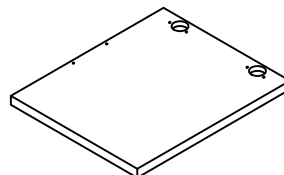
370*378 1PS

6



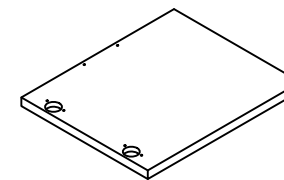
370*378 1PS

7



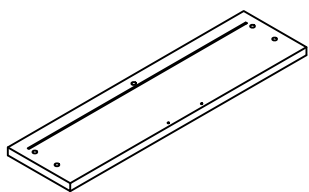
364*440 1PS

8



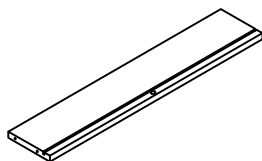
364*440 1PS

9



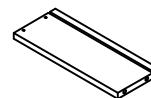
180*680 2PS

10



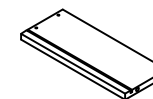
612*120 2PS

11



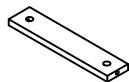
300*120 2PS

12



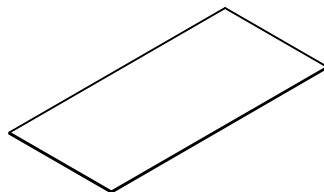
300*120 2PS

13



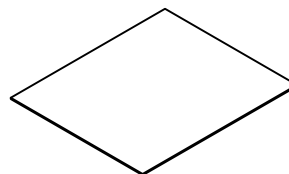
284*60 2PS

14



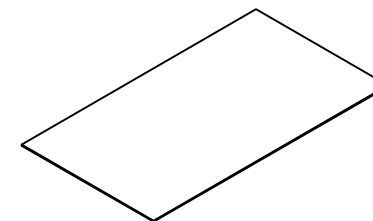
622*294 2PS

15



444.5*380 2PS

16



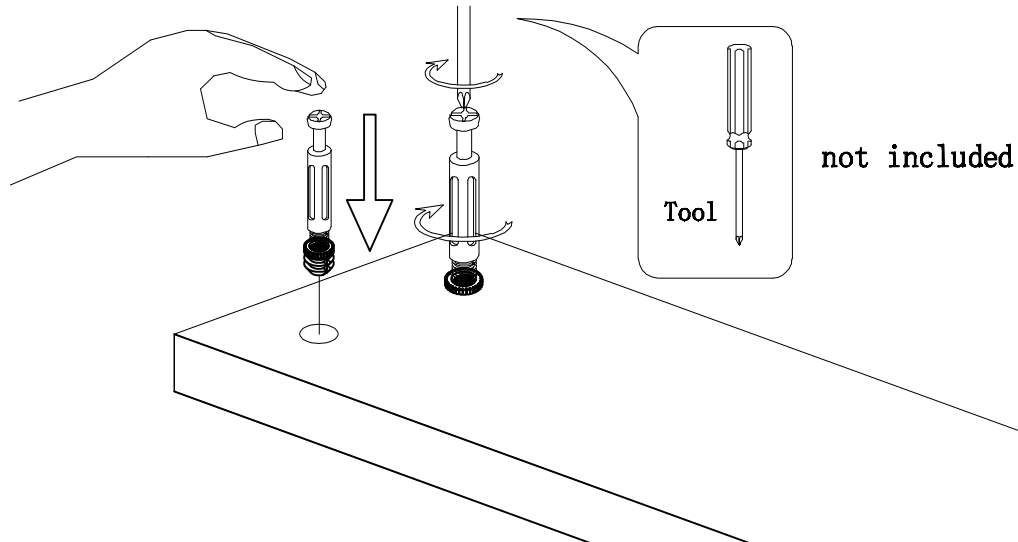
675*380 1PS



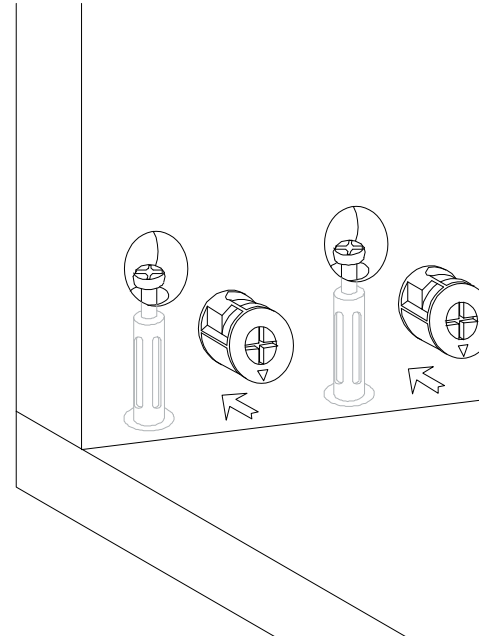
Hardware installation demonstration

NOTE: Please make sure "A" hardware tightened and can't be pulled out!

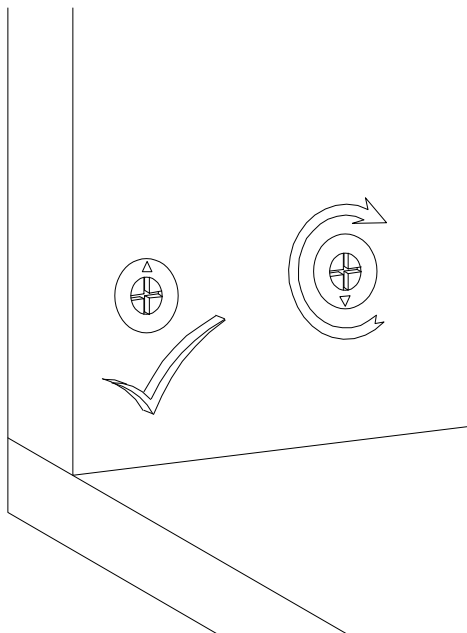
I



II



III

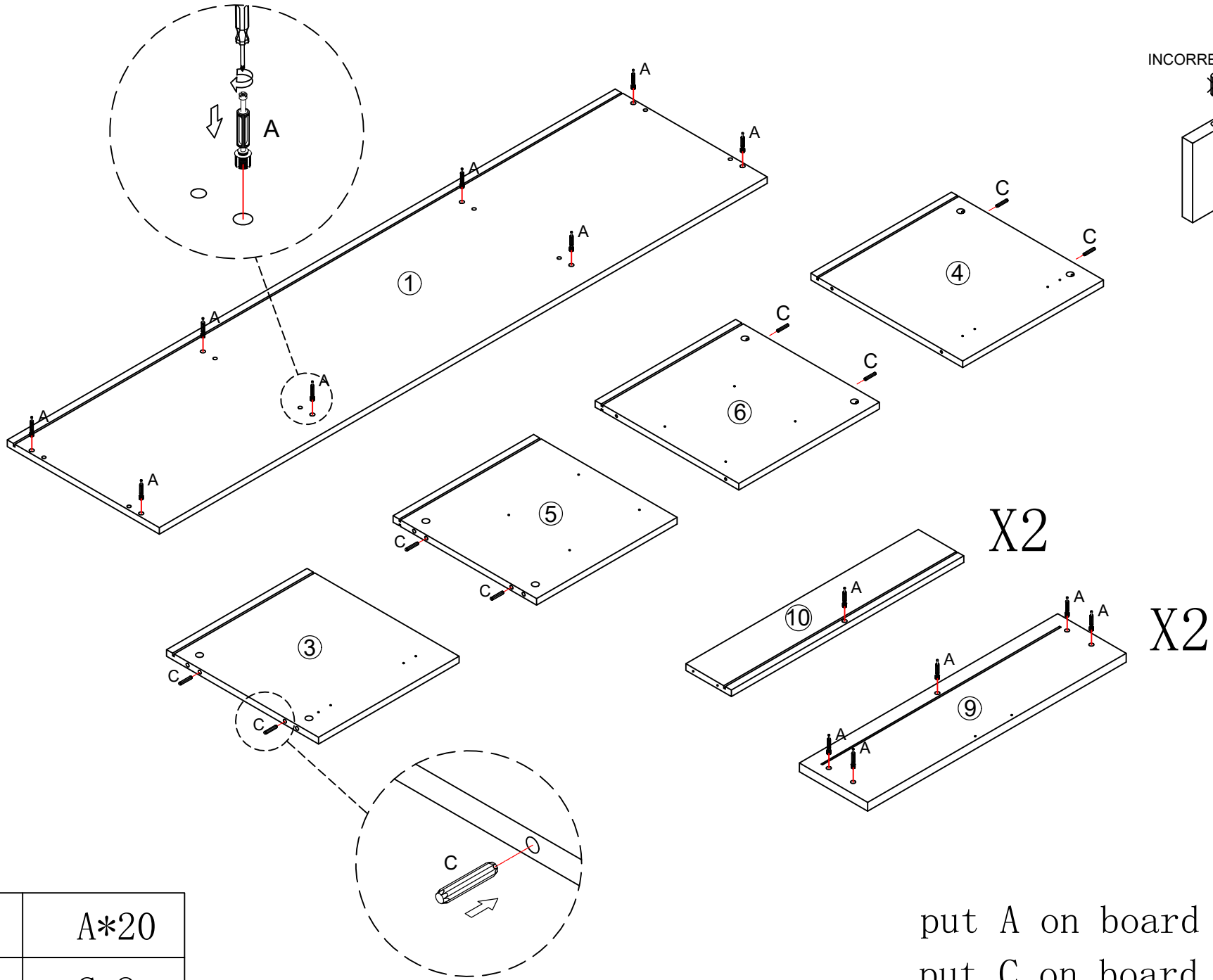


IV


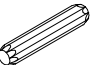


Scan QR code for assembly video

1

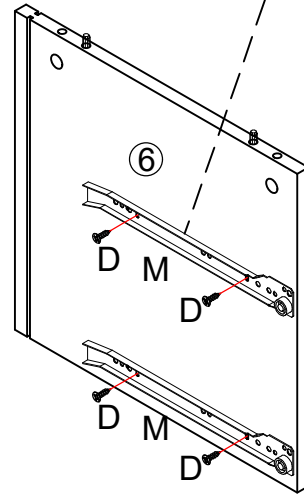
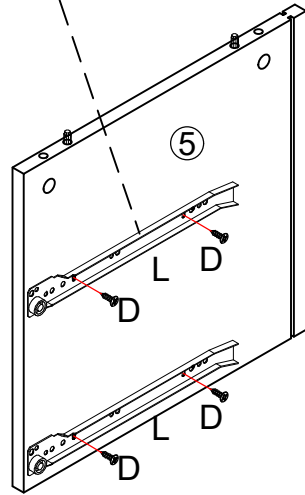
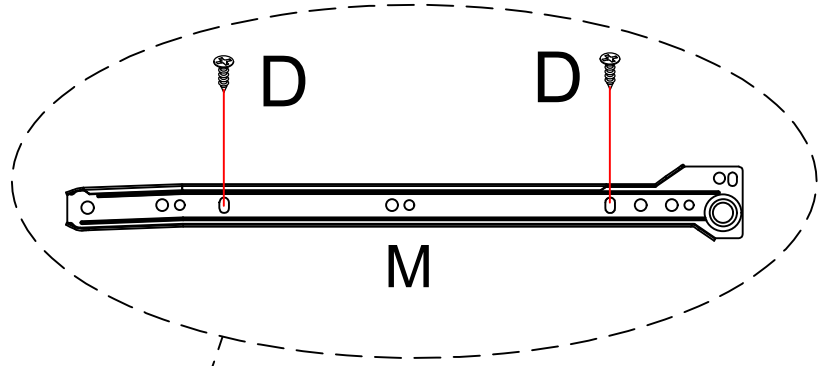
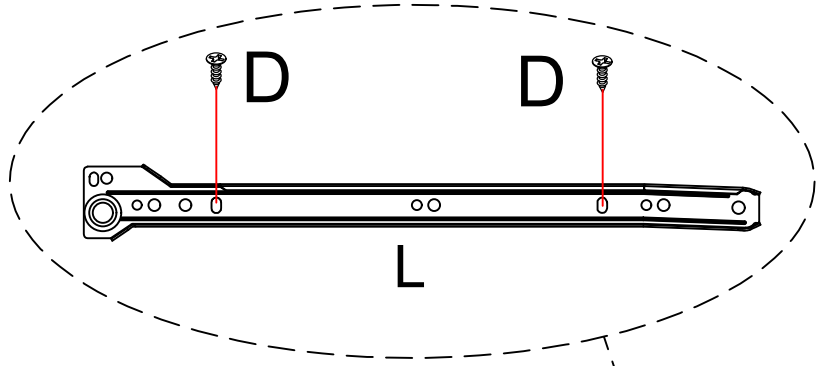





INCORRECT CORRECT

	A*20
	C*8

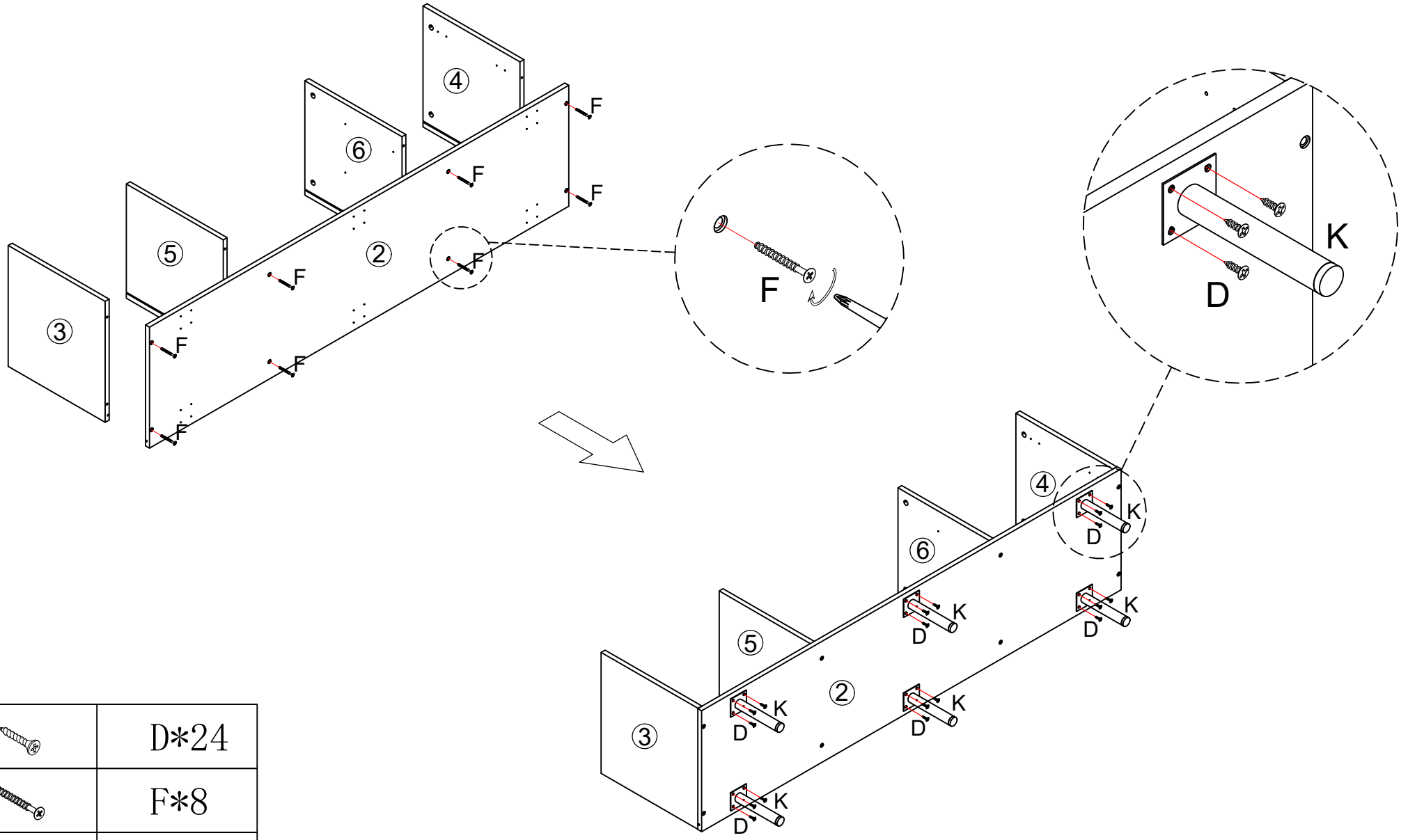
put A on board ① ⑨ ⑩
 put C on board ③ ④ ⑤ ⑥




2



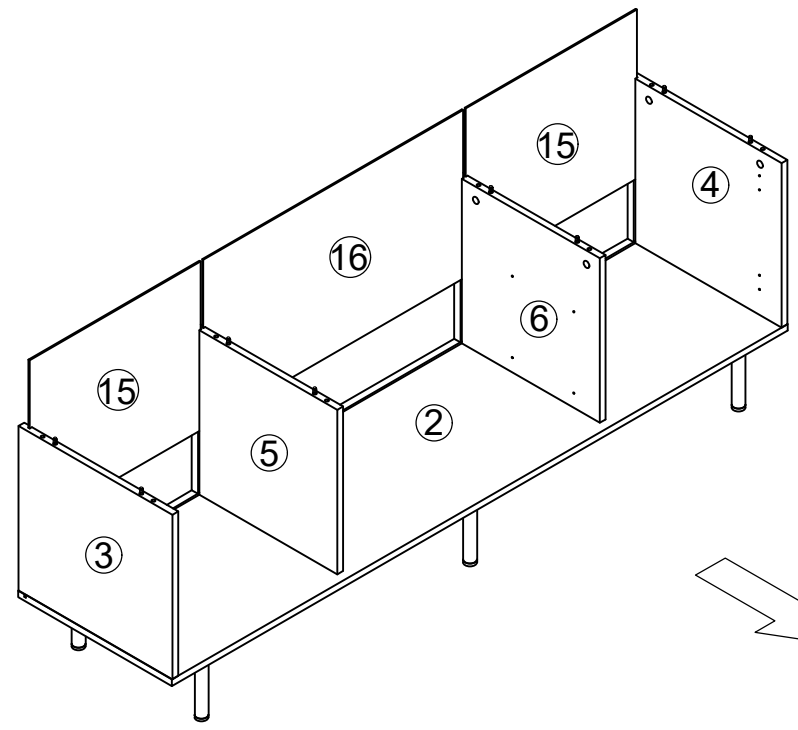
	D*8
	L*2
	M*2

3

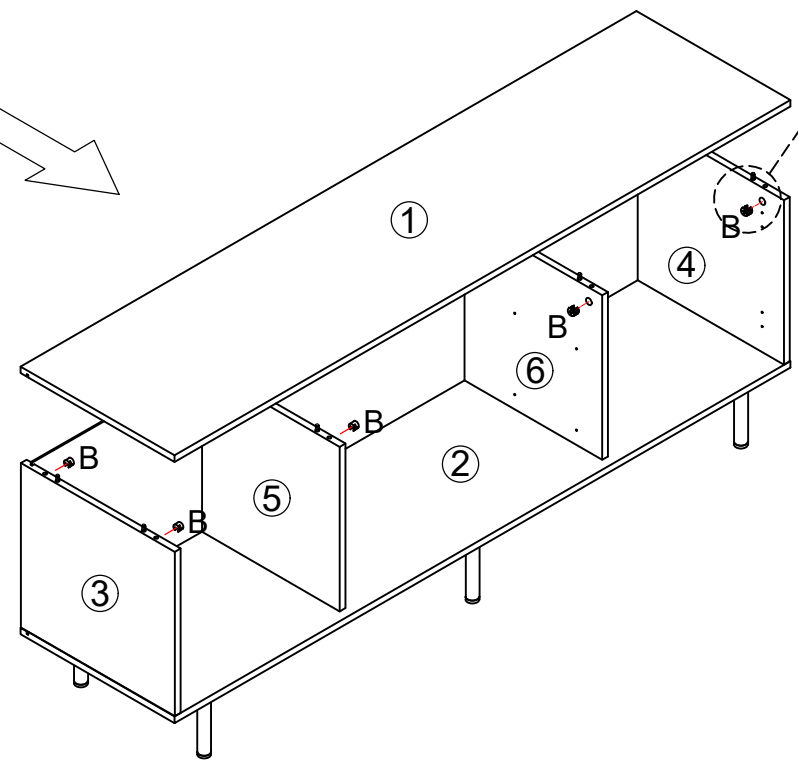
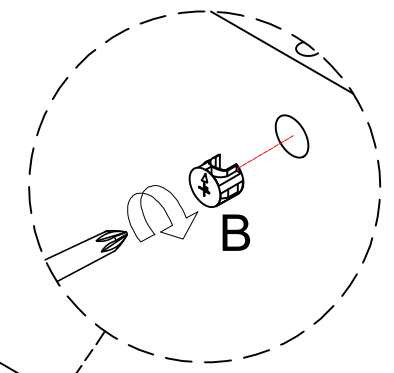


	D*24
	F*8
	K*6

4

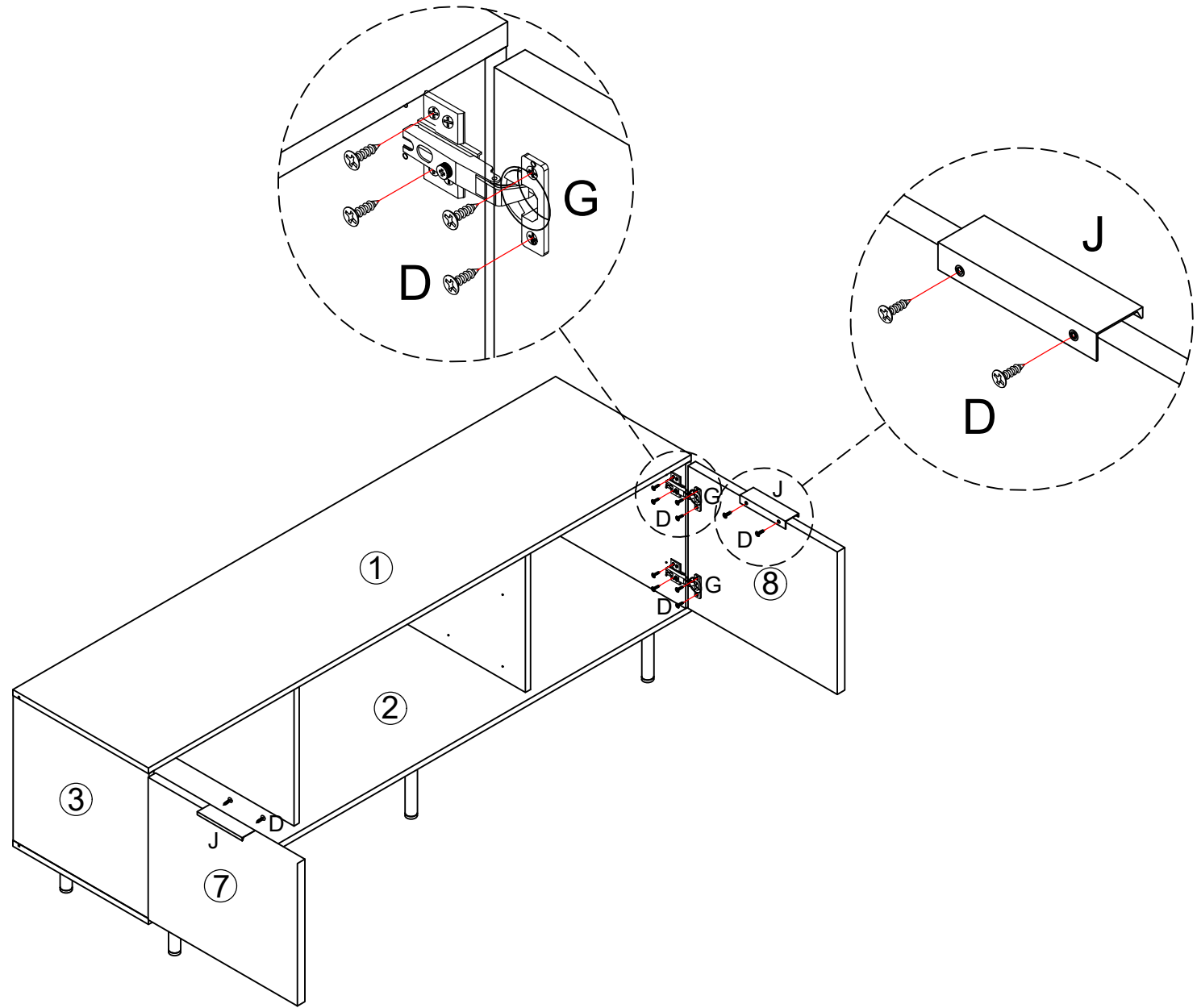


Make sure the arrow on the screw align to the hole on the side.



put B on board ③④⑤⑥

5



D*28

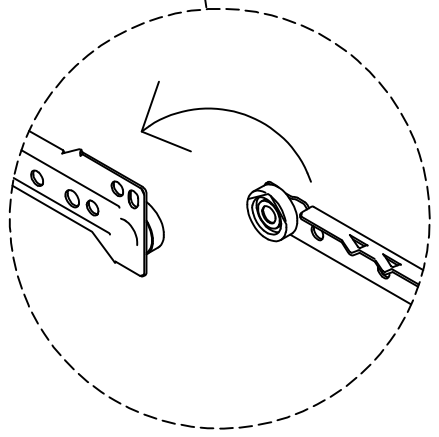
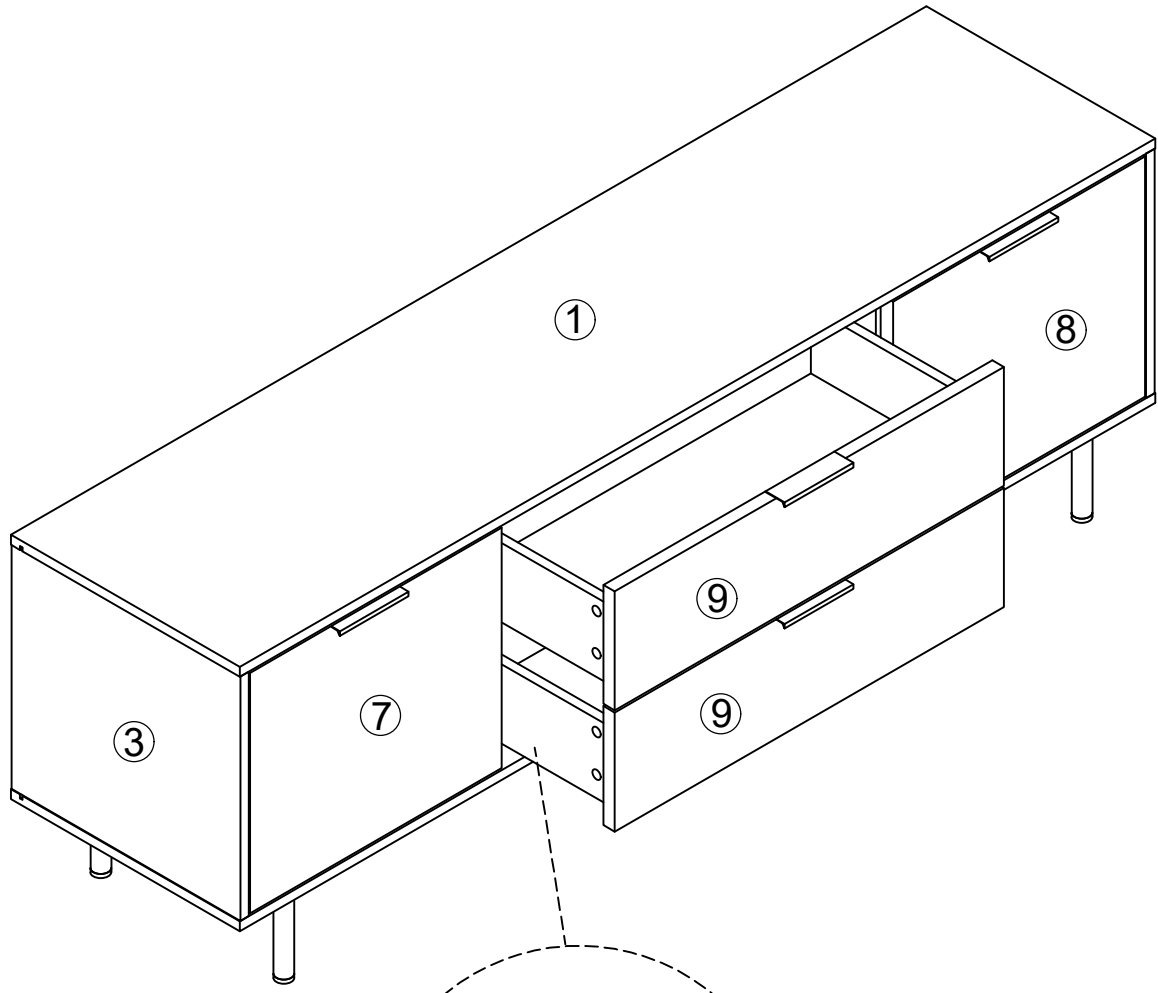


G*4

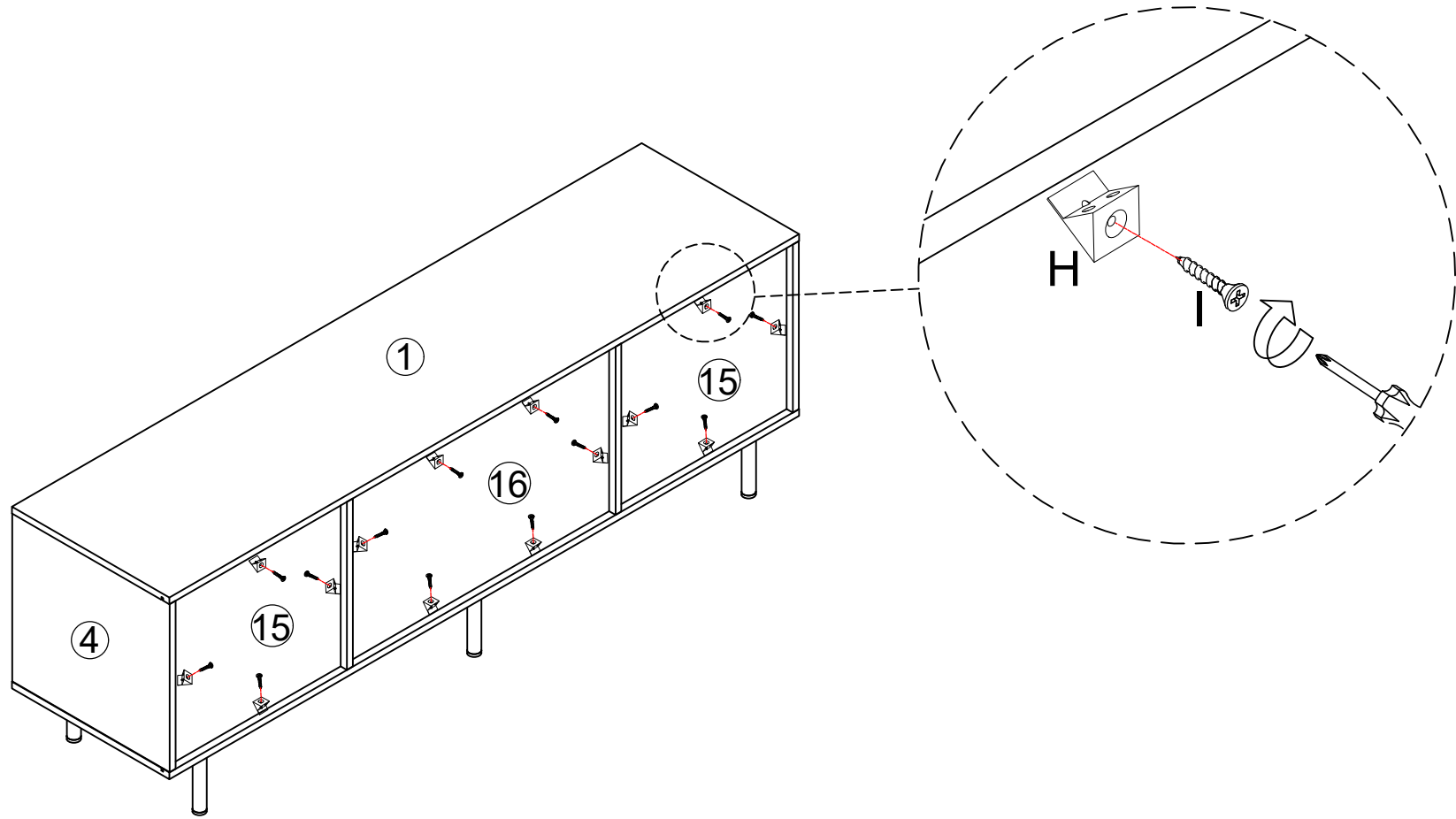


J*2

7



8

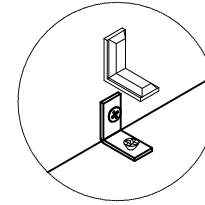
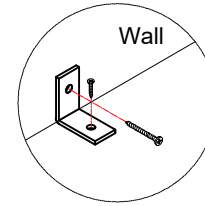
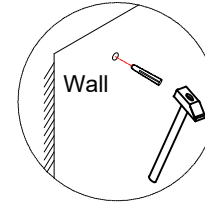
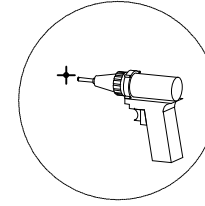
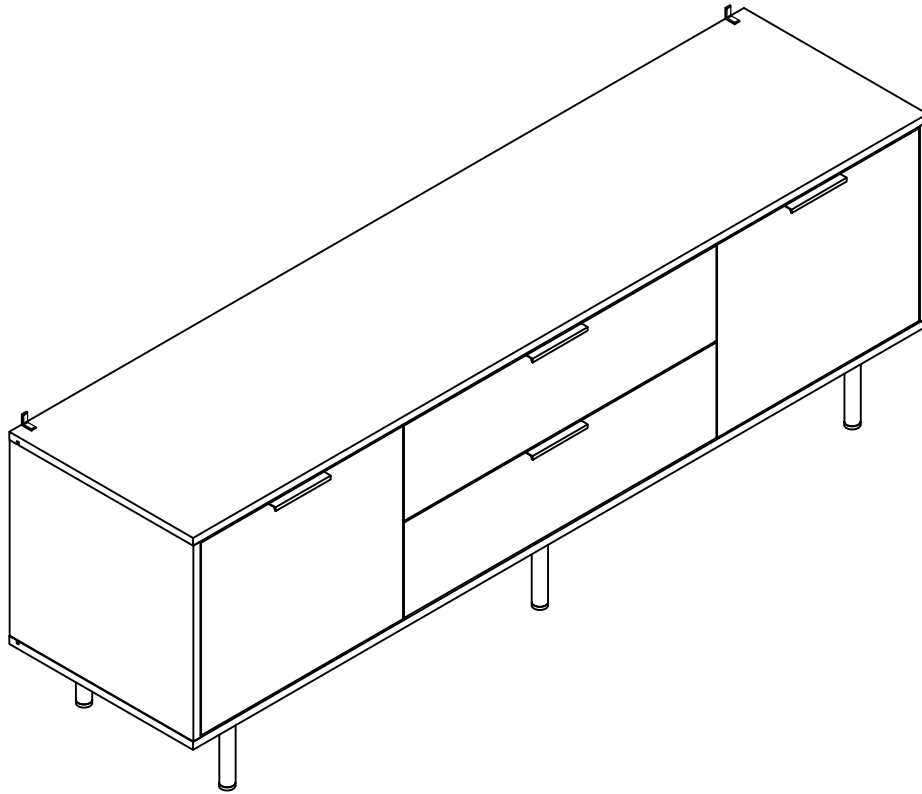


H*14

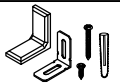


I*14

9



Please install tip-proof fitting.



P*2

END

