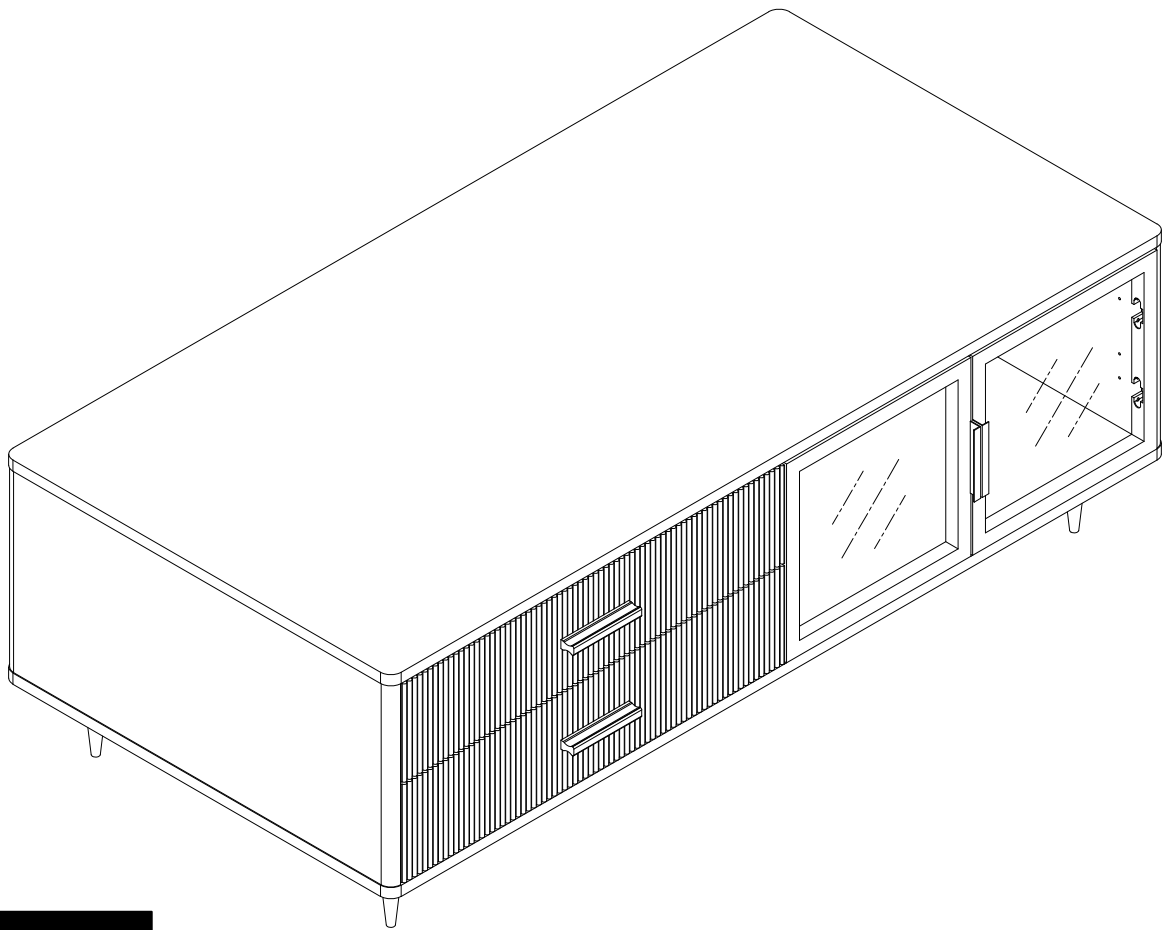


# Coffee Table

Assembly Instruction-please keep for future reference



## Dimensions

Width-47.2inch

Depth-23.6inch

Height-15.7inch

Important-please read this instructions fully before starting assembly



# Safety and Care Advice

## Important – Please read these instructions fully before starting assembly

- Check you have all the components and tools listed on the following pages.
- Remove all fittings from the plastic bags and separate them into their groups.
- Keep children and animals away from the work area, small parts could choke if swallowed.
- Make sure you have enough space to layout the parts before starting.

- During assembly do not stand or put weight on the product, this could cause damage.
- Assemble the item as close to its final position (in the same room) as possible.
- Assemble on a soft level surface to avoid damaging the unit or your floor.
- Parts of the assembly will be easier with 2 people.



power drill is set on a low torque setting.

- To reduce the likelihood of damaging your product please ensure that your

## Care and maintenance

- Only clean using a damp cloth and mild detergent, do not use bleach or abrasive cleaners.
- From time to time check that there are no loose screws on this unit.
- This product should not be discarded with household waste. Take to your local authority waste disposal centre.

## Handy Hints

- Assemble all parts and bolts loosely during assembly, only once the product is complete should you fully tighten the bolts
- Regularly check and ensure that all bolts and fittings are tightened properly.

## WARNING

In order to help prevent overturning – please follow these instructions

To help prevent product toppling over please follow the below steps:-

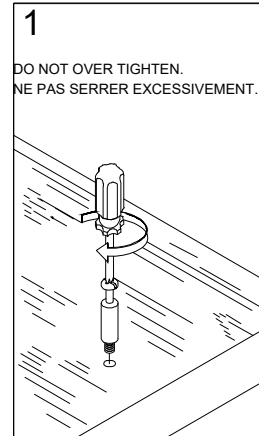
- Use the anti tip stap or wall fixing method provided (if applicable)
- Do not allow children to climb or hang on the furniture
- Do not open more than one drawer at a time
- Do not place heavy items in the top drawers
- Do not place heavy items on top of the furniture, unless the furniture has been designed for this purpose

# Using Camlocks

## Step 1

---

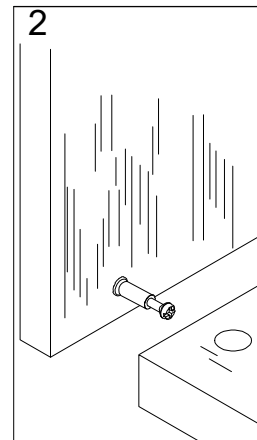
Connect the male camlock as directed in the assembly instructions using a screwdriver.



## Step 2

---

Push the male camlock into the entry hole.

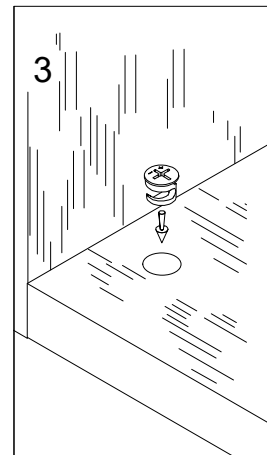


## Step 3

---

Insert the female camlock as shown in the instruction.

Note: ensure that the arrow on the top of the camlock points towards the entry hole for the male camlock.



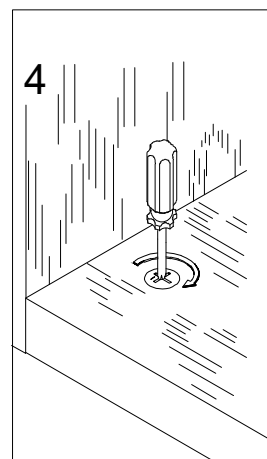
## Step 4

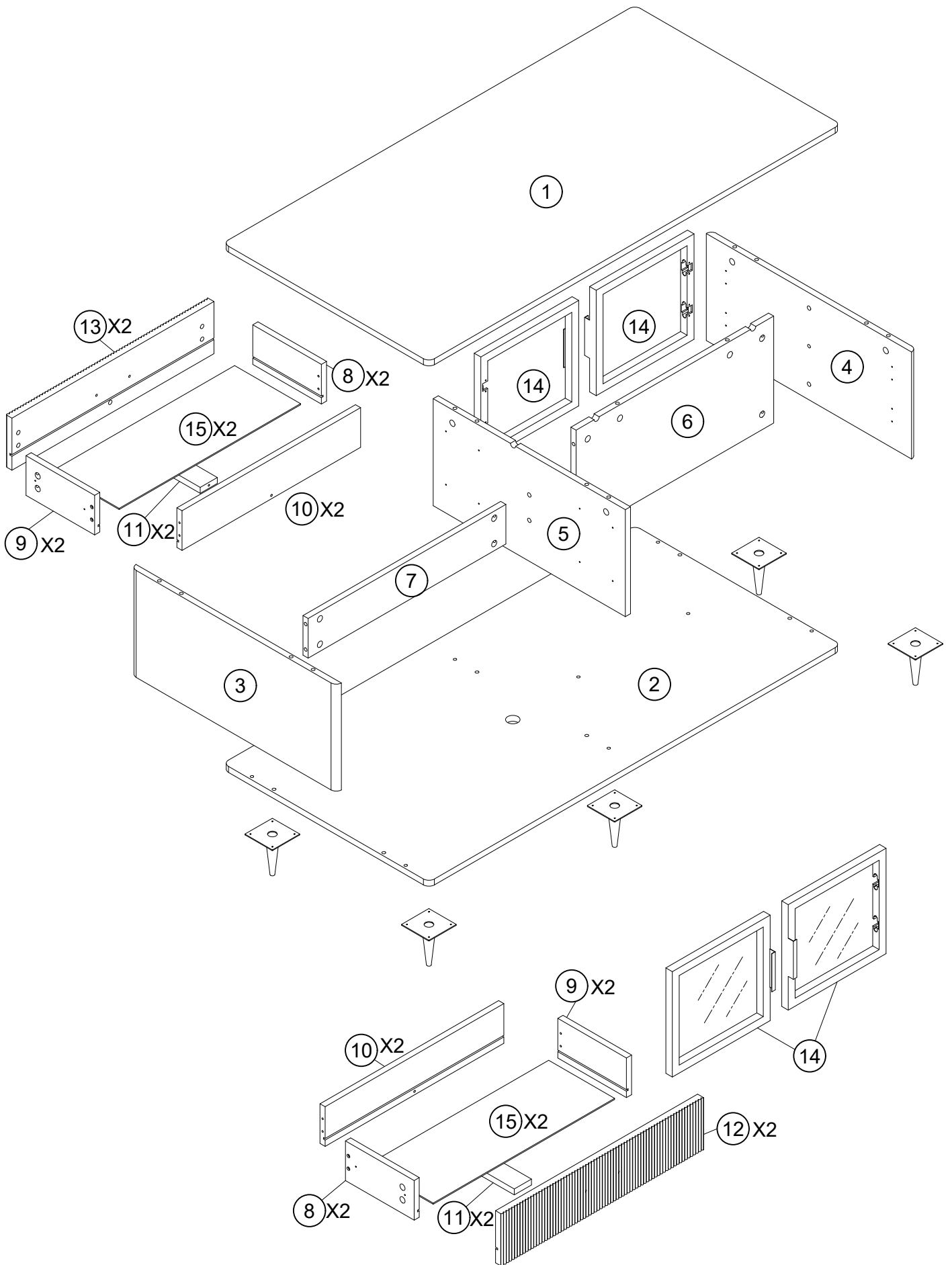
---

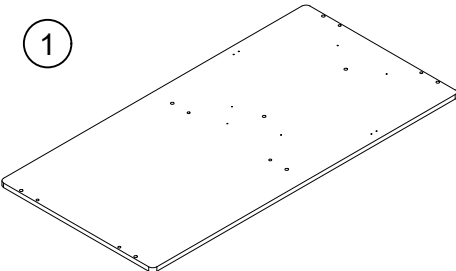
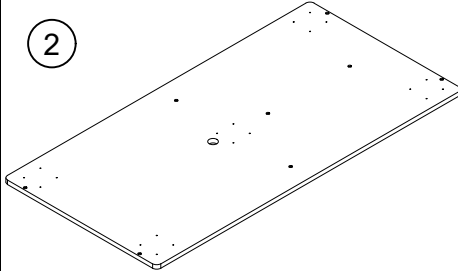
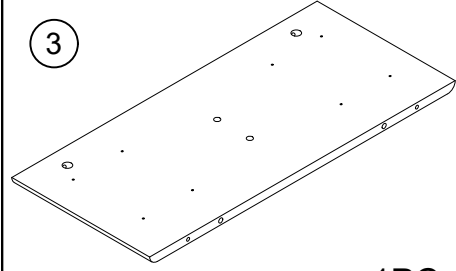
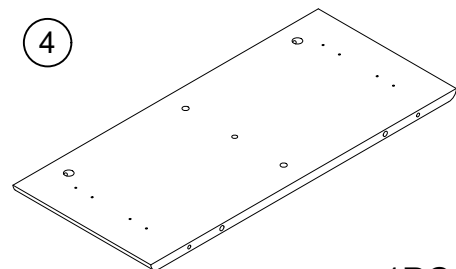
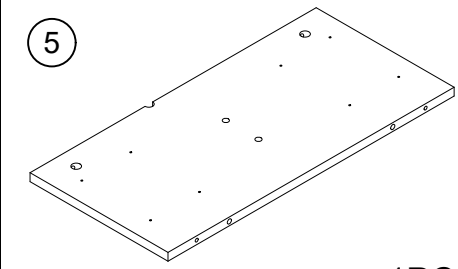
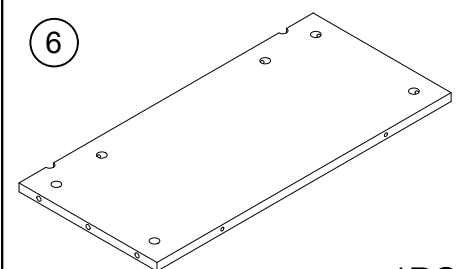
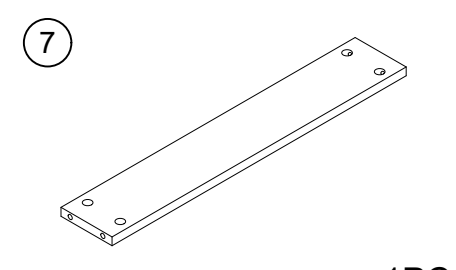
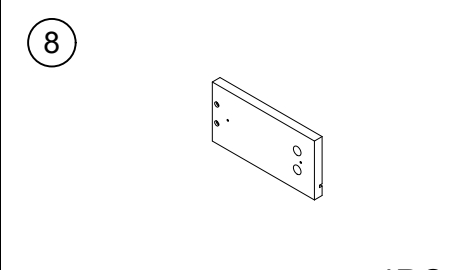
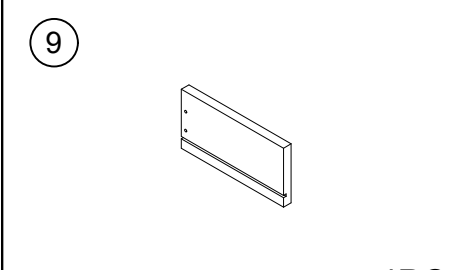
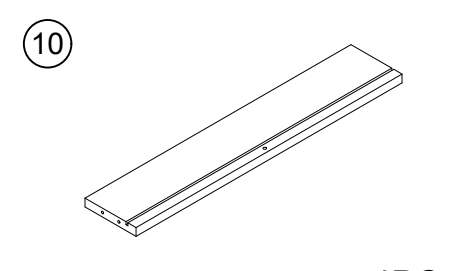
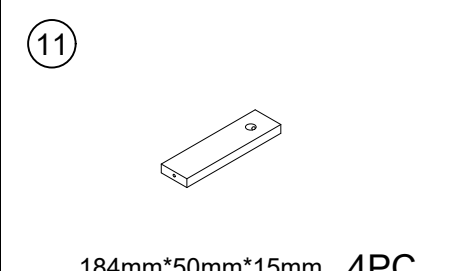
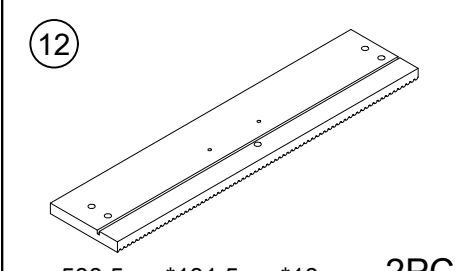
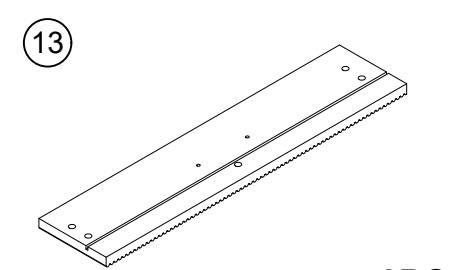
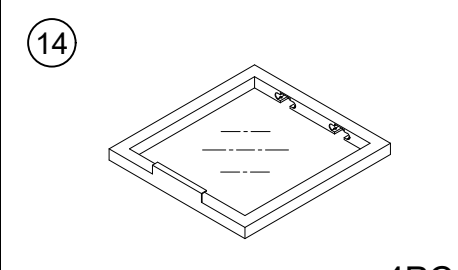
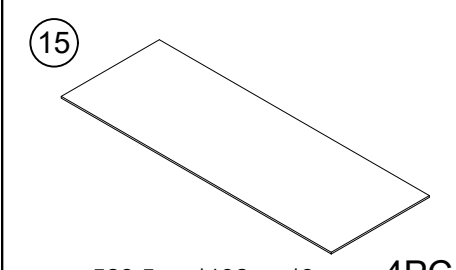
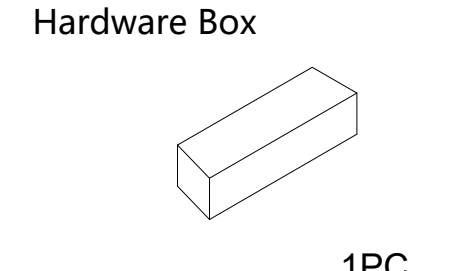
Turn the female camlock clockwise with a screwdriver.

You should feel a click when the camlock is locked in place.



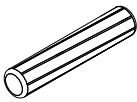
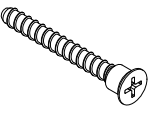
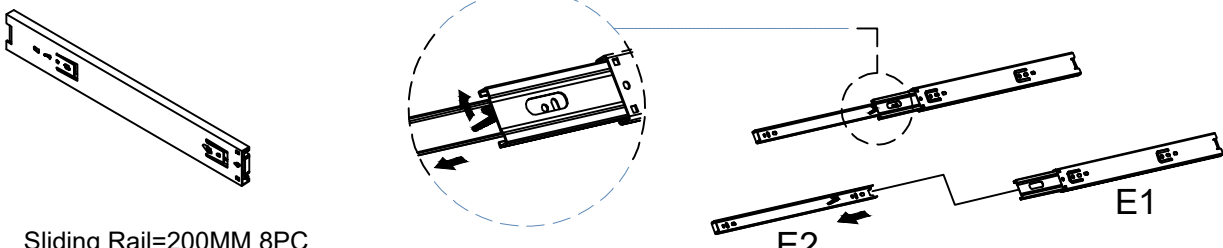
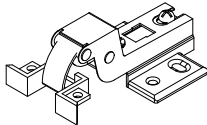
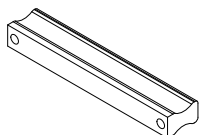
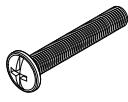
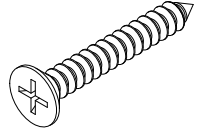
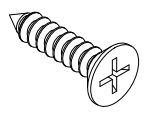
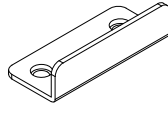
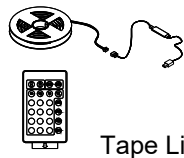

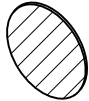
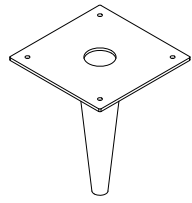
The joint is now secure.

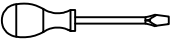

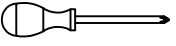





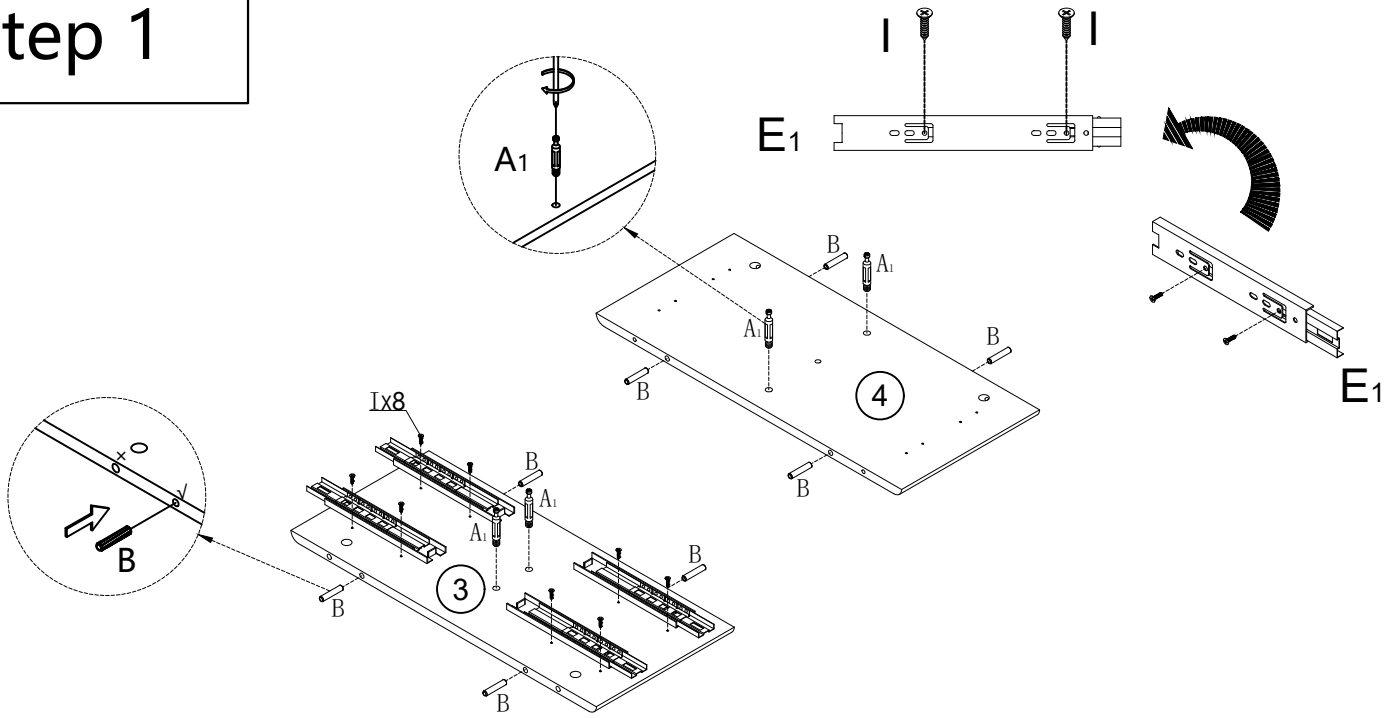
<p>①</p>  <p>1200mm*600mm*15mm 1PC</p>	<p>②</p>  <p>1200mm*600mm*15mm 1PC</p>	<p>③</p>  <p>270mm*598mm*15mm 1PC</p>
<p>④</p>  <p>270mm*598mm*15mm 1PC</p>	<p>⑤</p>  <p>270mm*560mm*15mm 1PC</p>	<p>⑥</p>  <p>270mm*576mm*15mm 1PC</p>
<p>⑦</p>  <p>576mm*100mm*15mm 1PC</p>	<p>⑧</p>  <p>200mm*100mm*15mm 4PC</p>	<p>⑨</p>  <p>200mm*100mm*15mm 4PC</p>
<p>⑩</p>  <p>520.5mm*100mm*15mm 4PC</p>	<p>⑪</p>  <p>184mm*50mm*15mm 4PC</p>	<p>⑫</p>  <p>588.5mm*131.5mm*18mm 2PC</p>
<p>⑬</p>  <p>588.5mm*131.5mm*18mm 2PC</p>	<p>⑭</p>  <p>266mm*285mm*19mm 4PC</p>	<p>⑮</p>  <p>528.5mm*192mm*3mm 4PC</p>
<p>Hardware Box</p>  <p>1PC</p>		




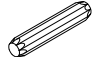
# Hardware List

<p><b>A</b></p> <p><b>A<sub>1</sub></b></p>  <p>Cam Bolt=36+1PCS</p>	<p><b>A<sub>2</sub></b></p>  <p>Cam Lock=36+1PCS</p>	<p><b>B</b></p>  <p>Ø8*40 Dowel=14+1PCS</p>	<p><b>C</b></p>  <p>M7*50 Screw= 8+1PCS</p>
<p><b>E</b></p>  <p>Sliding Rail=200MM 8PC</p>			
<p><b>D</b></p>  <p>Hinge =8PCS</p>	<p><b>F</b></p>  <p>Handle=4PCS</p>	<p><b>G</b></p>  <p>M4*22 Screw= 8PCS</p>	<p><b>H</b></p>  <p>M3.5*35 Screw= 20+1PCS</p>
<p><b>I</b></p>  <p>M3.5*14 Screw= 88+2PCS</p>	<p><b>J</b></p>  <p>Catch=2PCS</p>	<p><b>K</b></p> <p><b>K<sub>1</sub></b></p>  <p>Tape Lights=1PCS</p> <p><b>K<sub>2</sub></b></p>  <p>Screw= 5PCS</p>	
<p><b>L</b></p>  <p>Beauty patch=28PCS</p>	<p><b>M</b></p>  <p>Leg = 5PCS</p>		

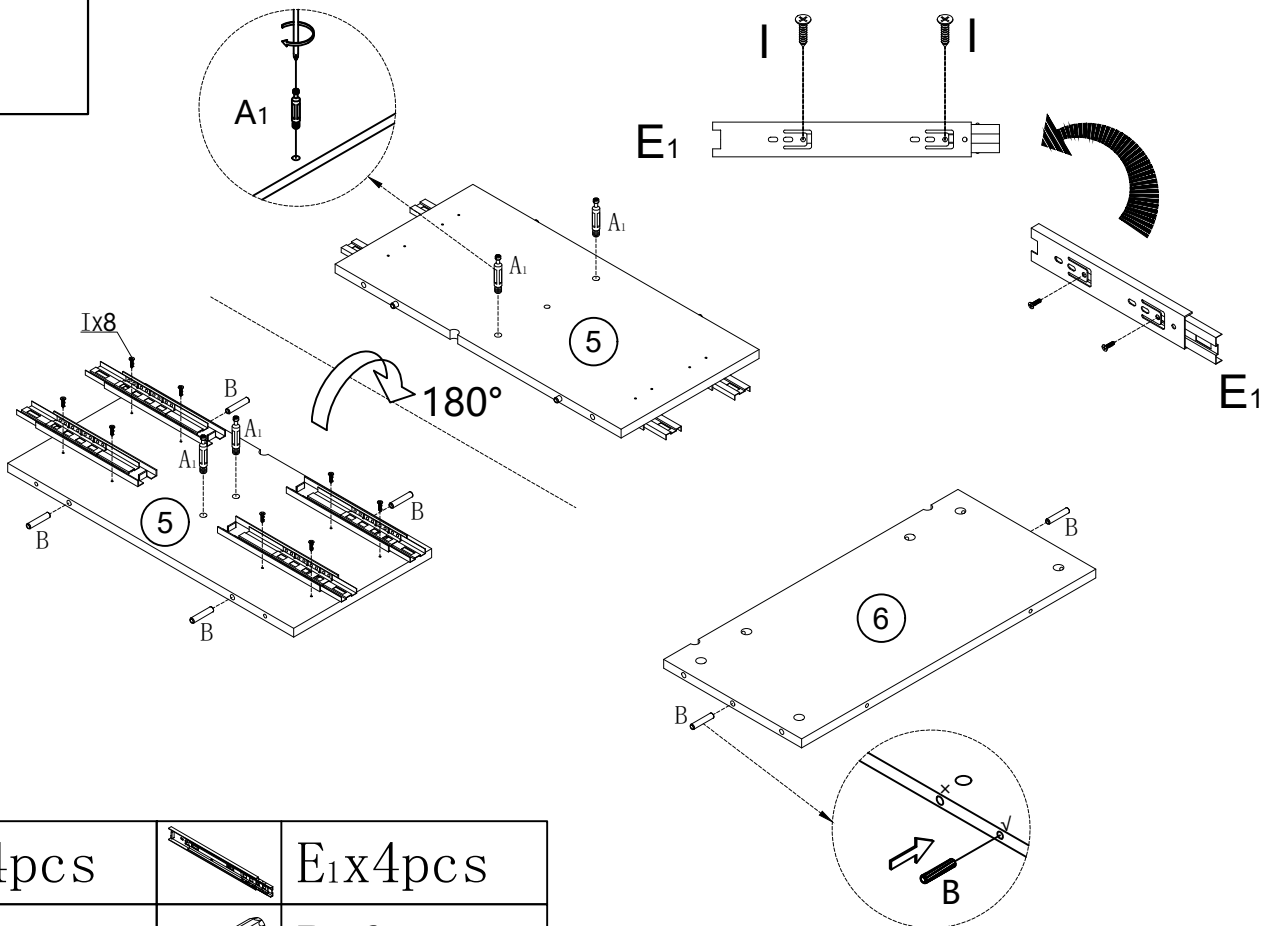
<b>Tool Required</b>	
	
	


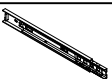


# Step 1



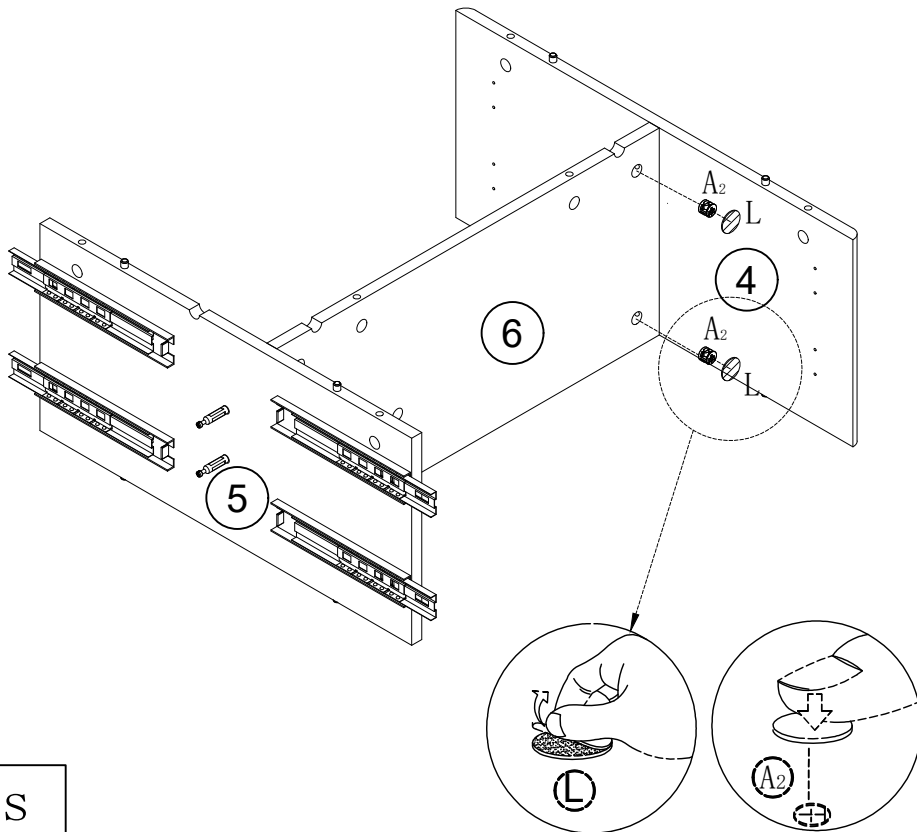
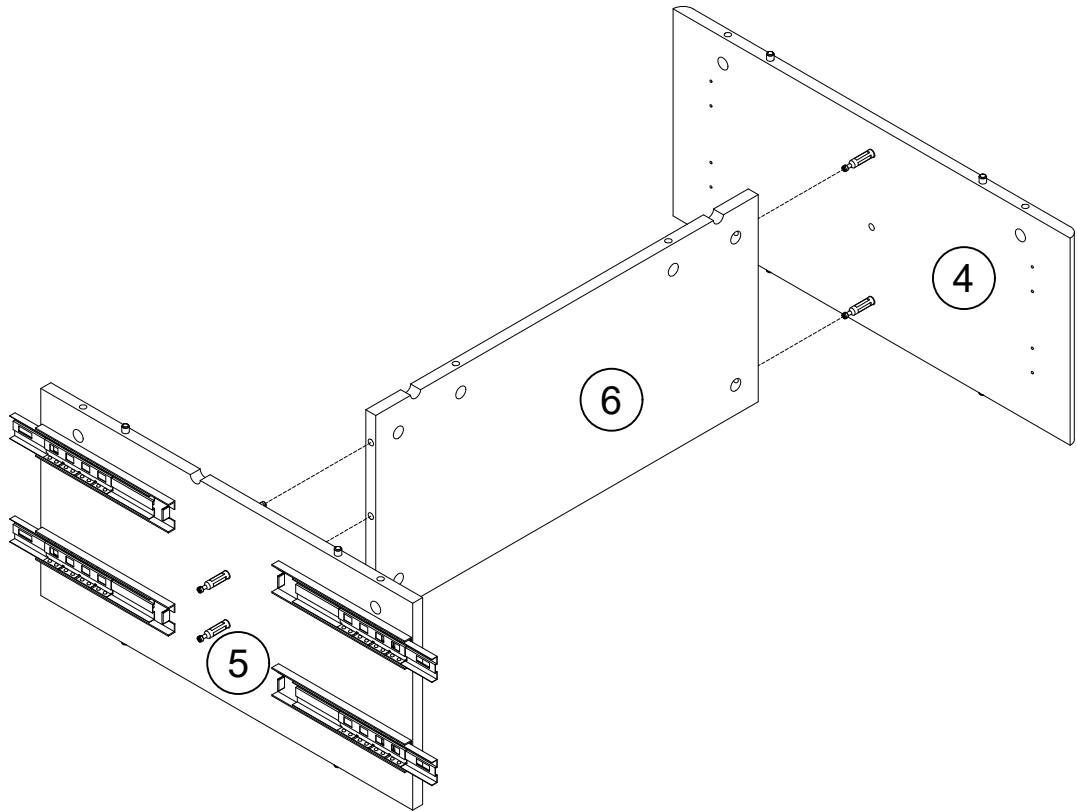
	A <sub>1</sub> x4pcs		E <sub>1</sub> x4pcs
	Ix8pcs		Bx8pcs

# Step 2



	A <sub>1</sub> x4pcs		E <sub>1</sub> x4pcs
	Ix8pcs		Bx6pcs

# Step 3



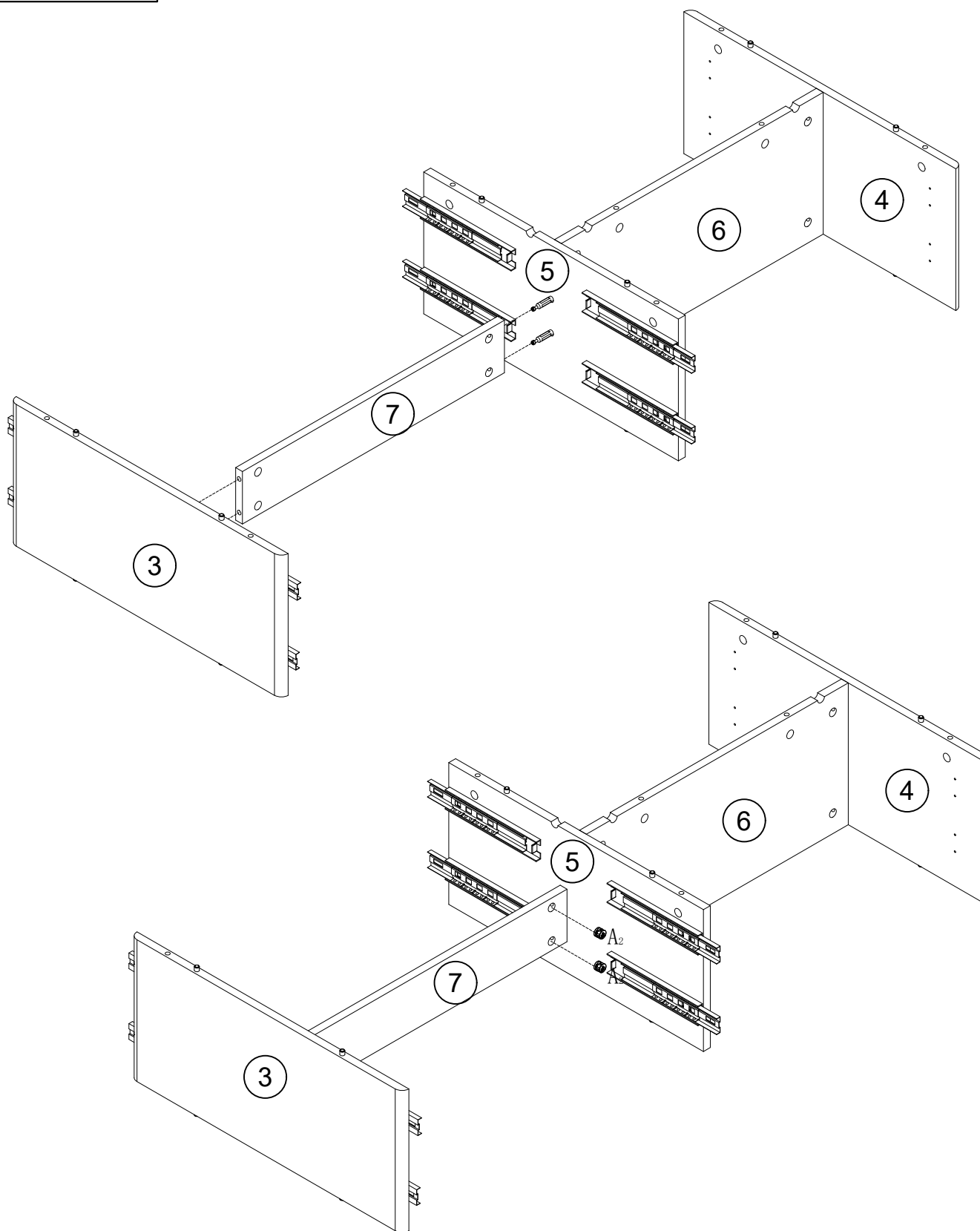
A<sub>2</sub>x4pcs



Lx4pcs

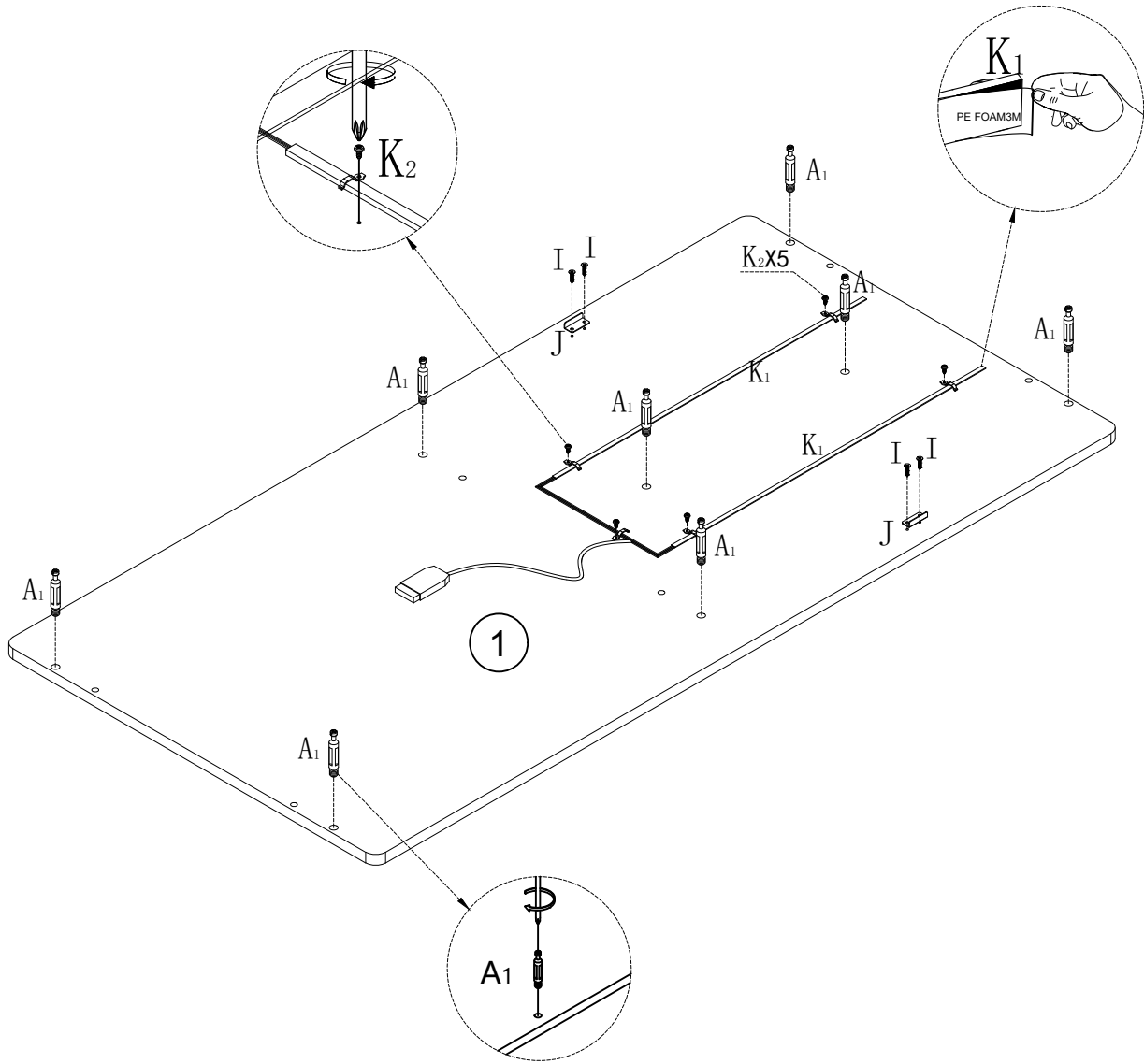





# Step 4





A<sub>2</sub>x4pcs

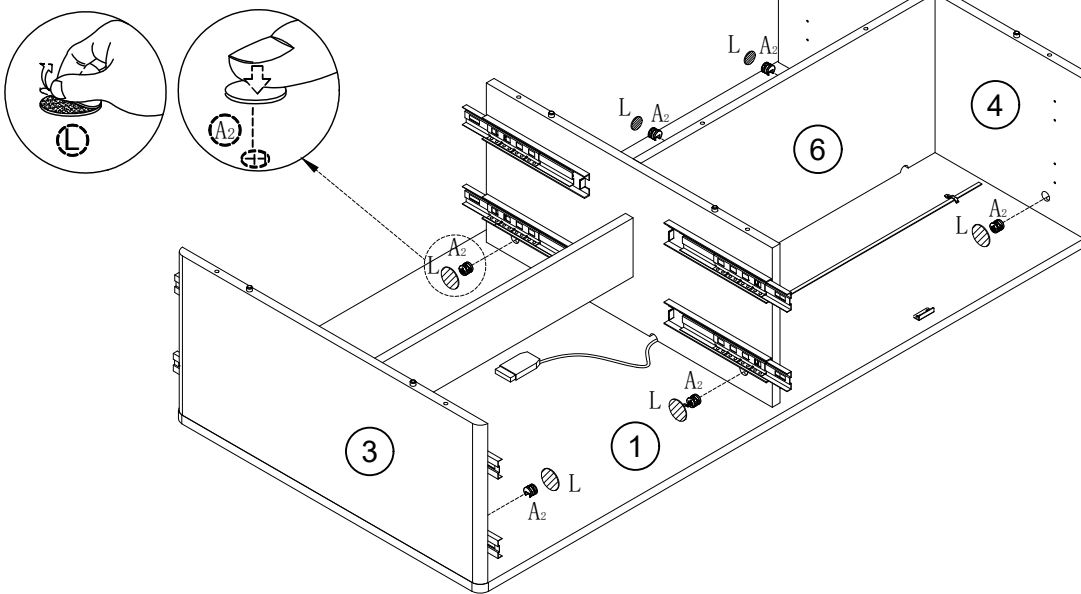
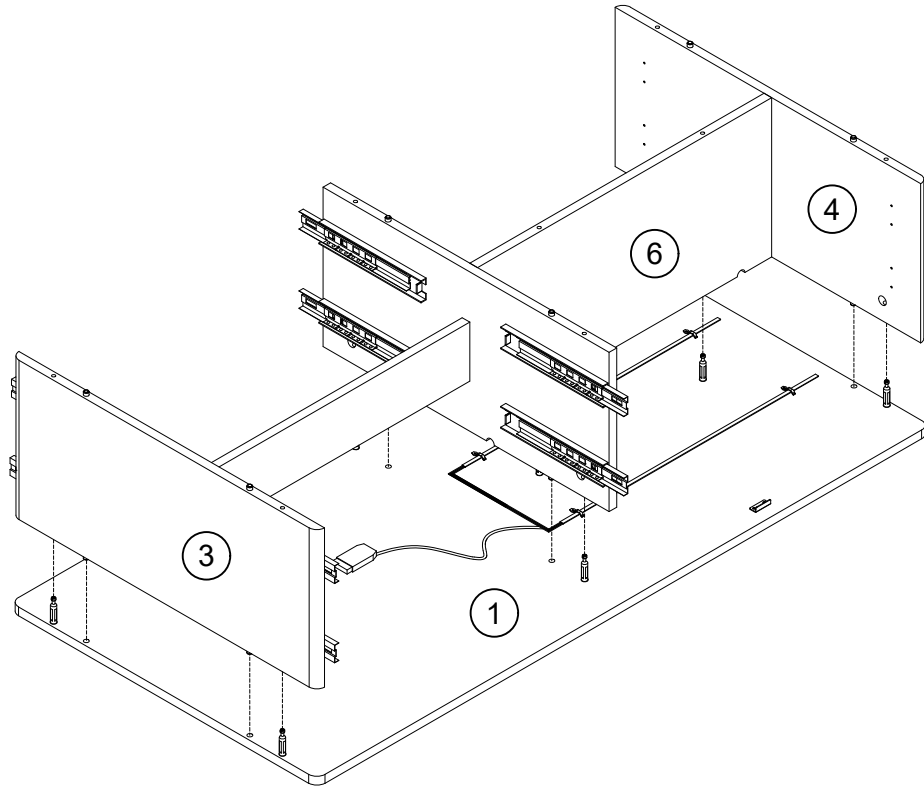
# Step 5



	A <sub>1</sub> x8pcs
	Ix4pcs
	Jx2pcs

	K <sub>1</sub> x1pcs
	K <sub>2</sub> x5pcs

# Step 6

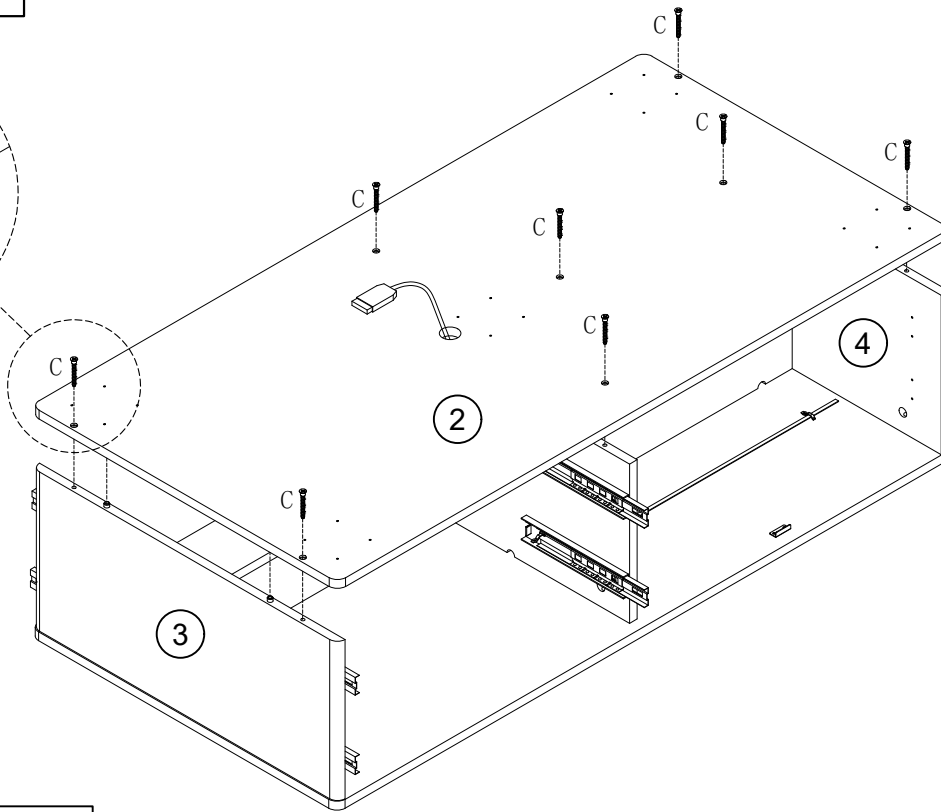
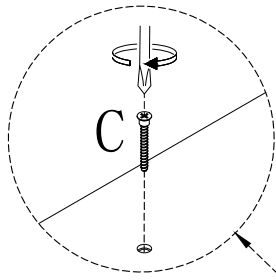


A<sub>2</sub>x8pcs



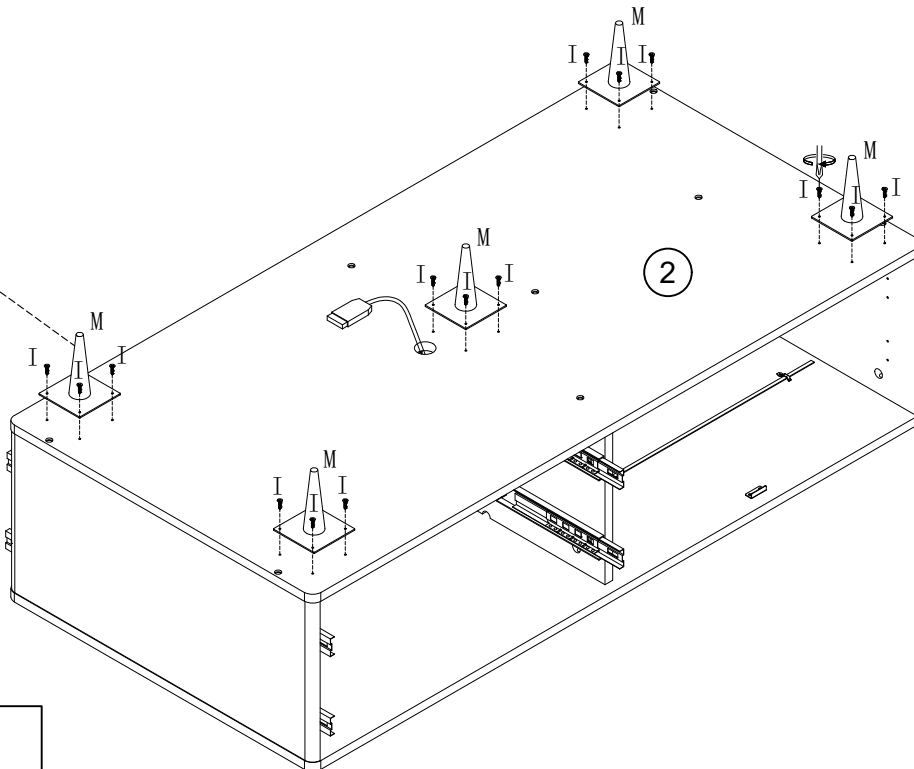
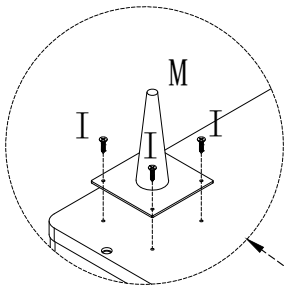
Lx8pcs

# Step 7



Cx8pcs

# Step 8

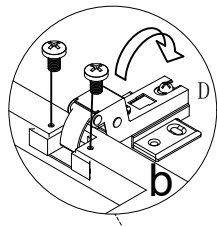
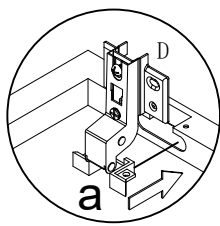


Ix20pcs

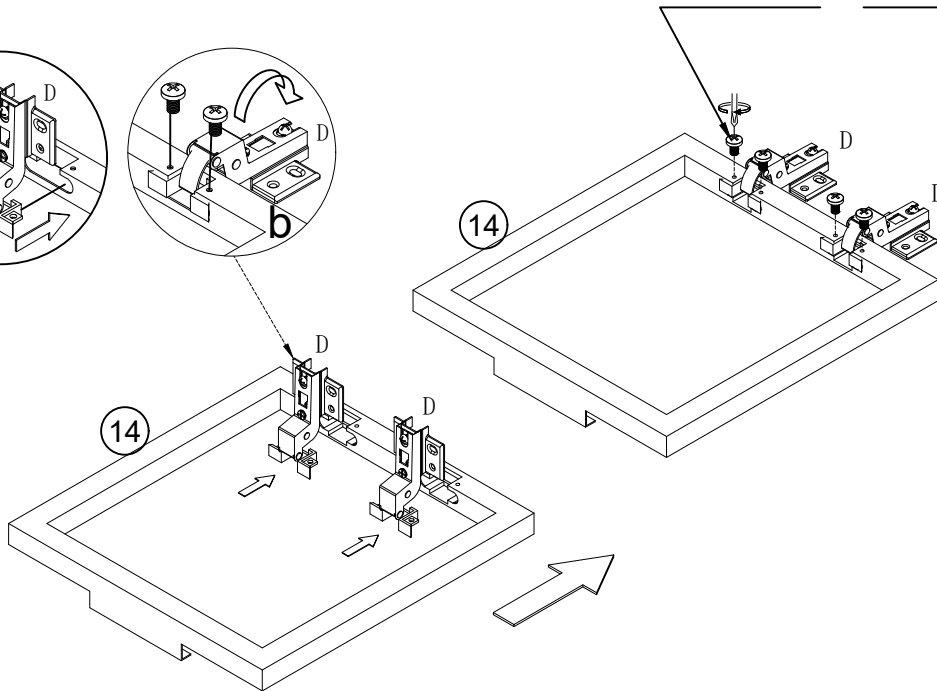


Mx5pcs

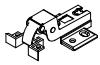
# Step 9



Such screws are included in the hinge packaging bag

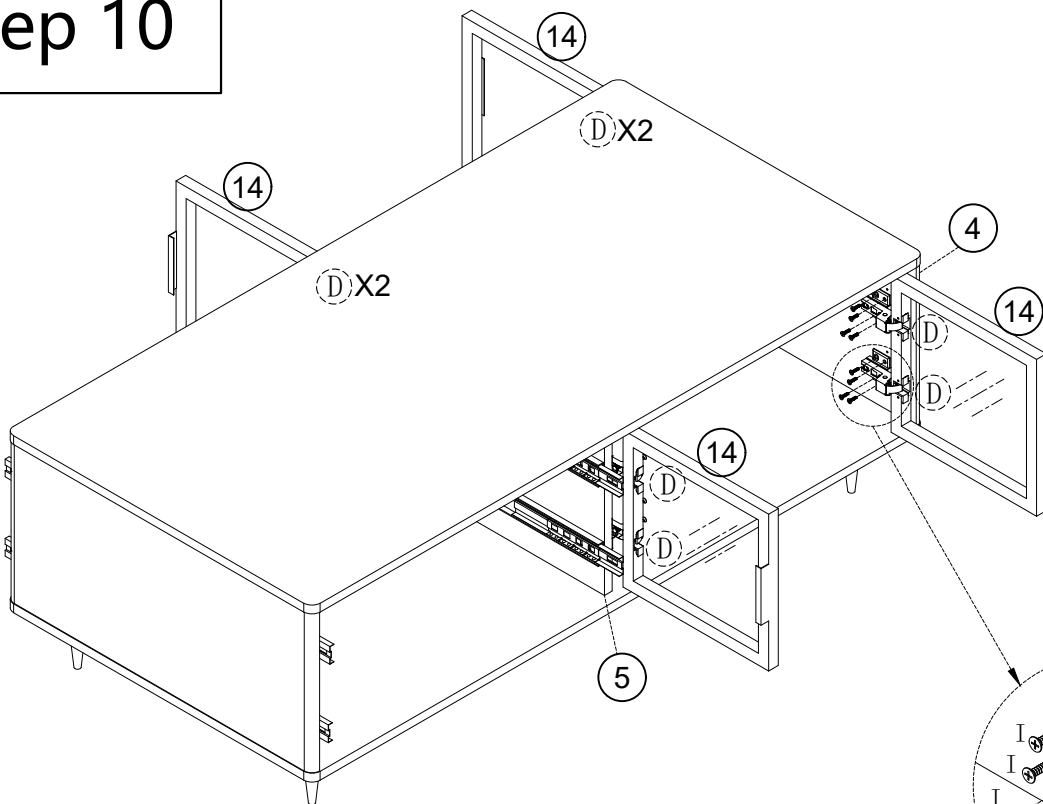


# X4



Dx8pcs

# Step 10

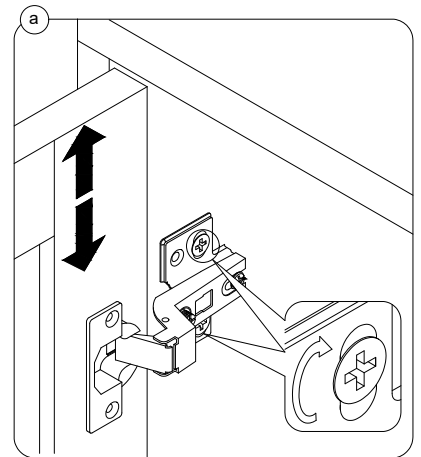


Ix32pcs

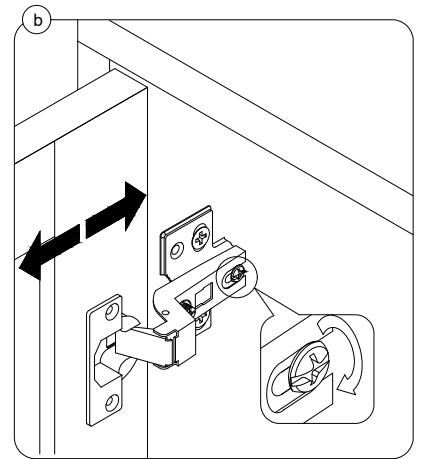
## If the door can't close, please adjust the hinges.

### Step 11

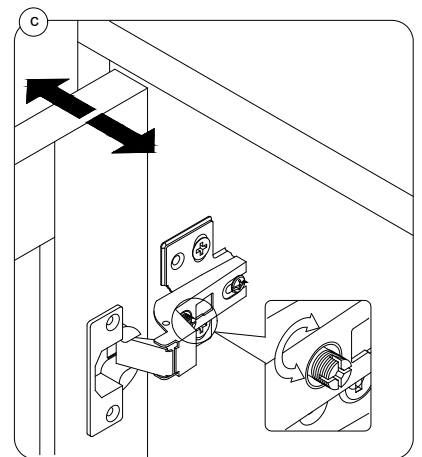
To adjust the door vertically loosen the screw as shown and move up and down as needed.



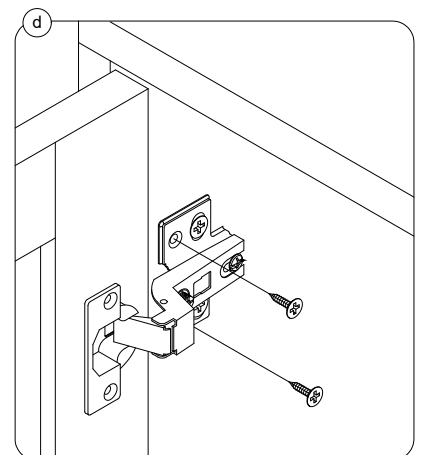
To adjust the gap from the door to the main frame turn the screw clockwise or anti-clockwise as needed.



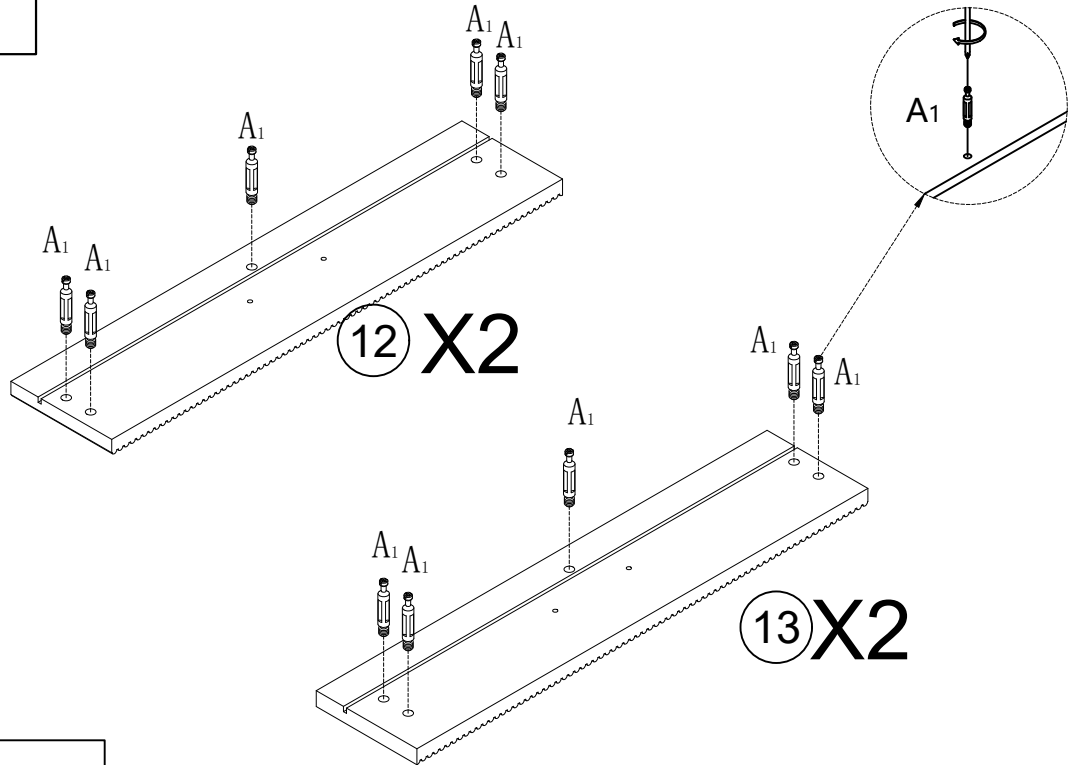
To adjust the door laterally adjust the screw as shown by turning clockwise or anti-clockwise.




Please fix other screws

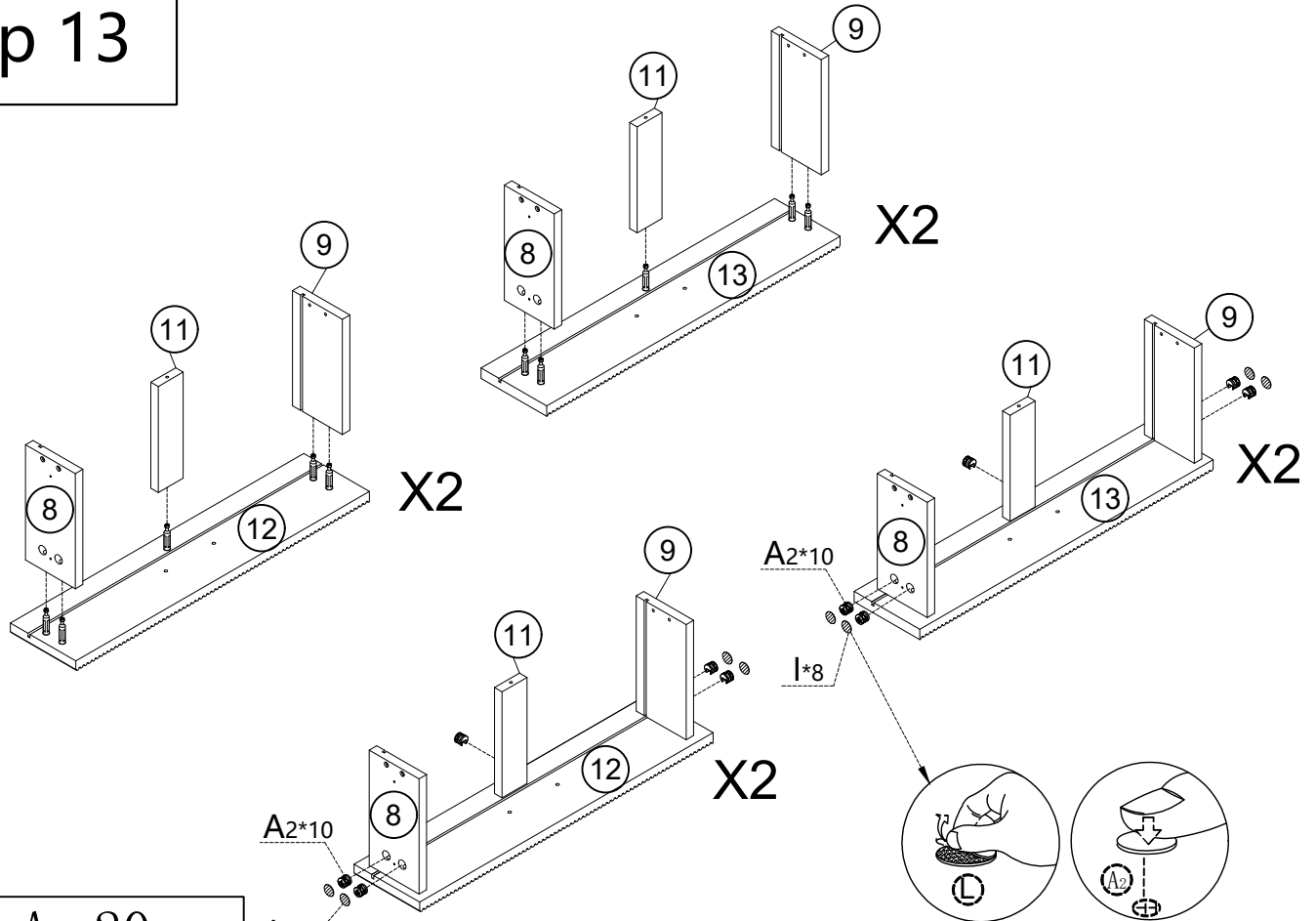



# Step 12



 A<sub>1</sub>x20pcs

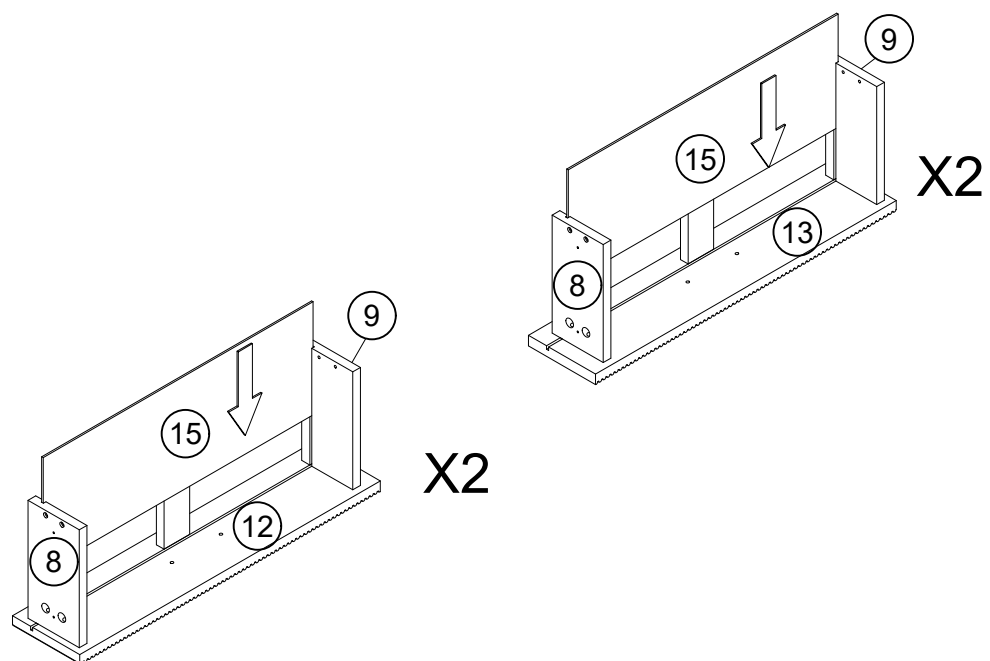
# Step 13



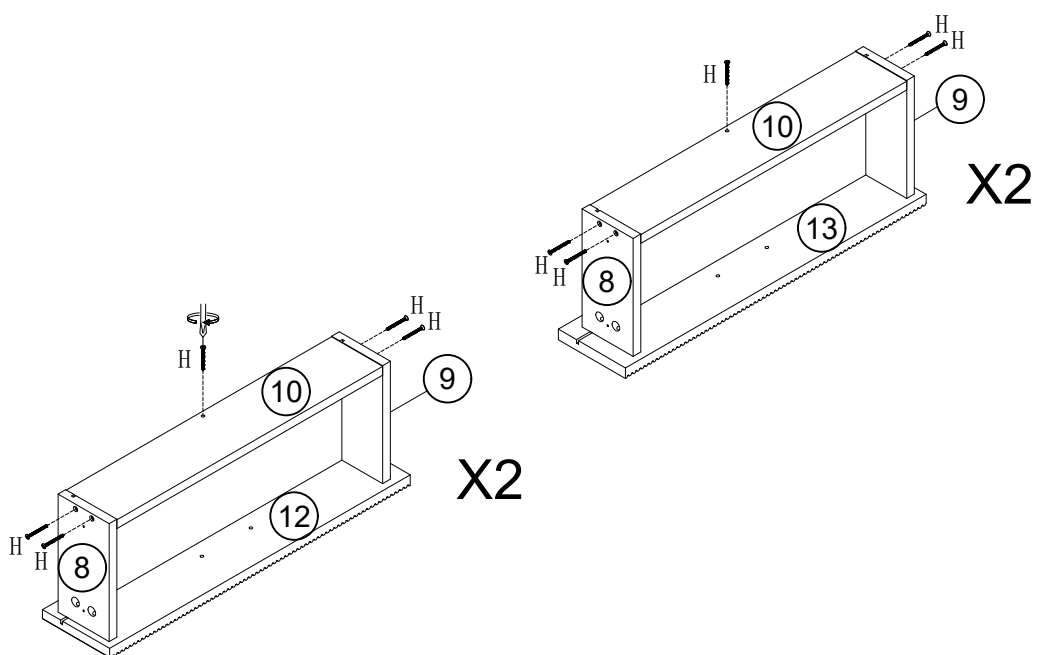
 A<sub>2</sub>x20pcs

 Lx16pcs

# Step 14



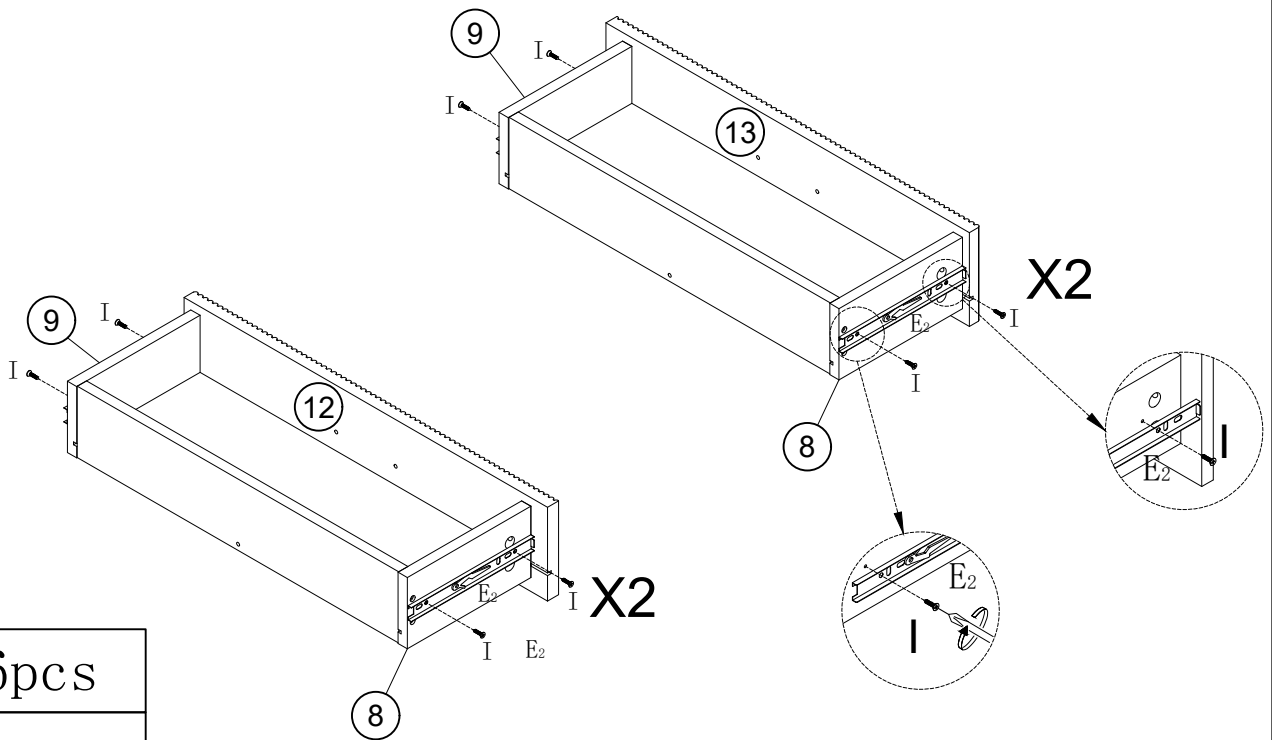
# Step 15





Hx20pcs

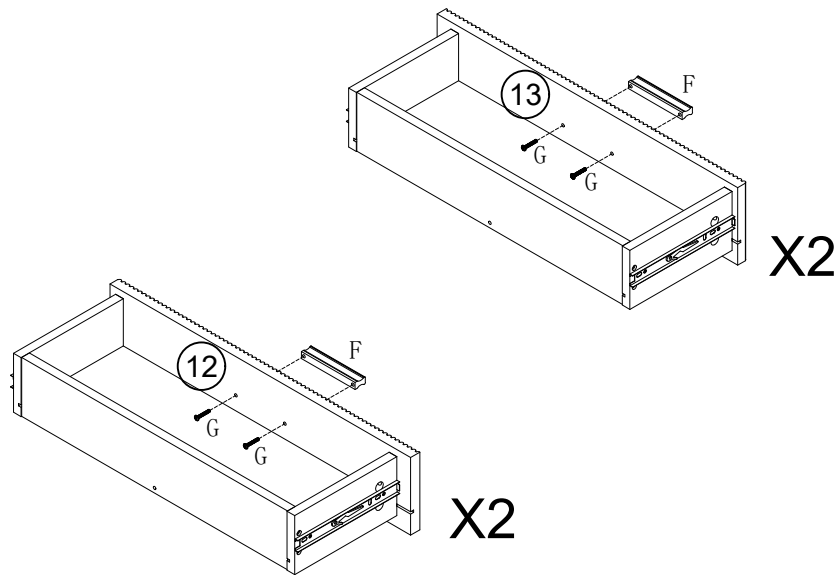




# Step 16



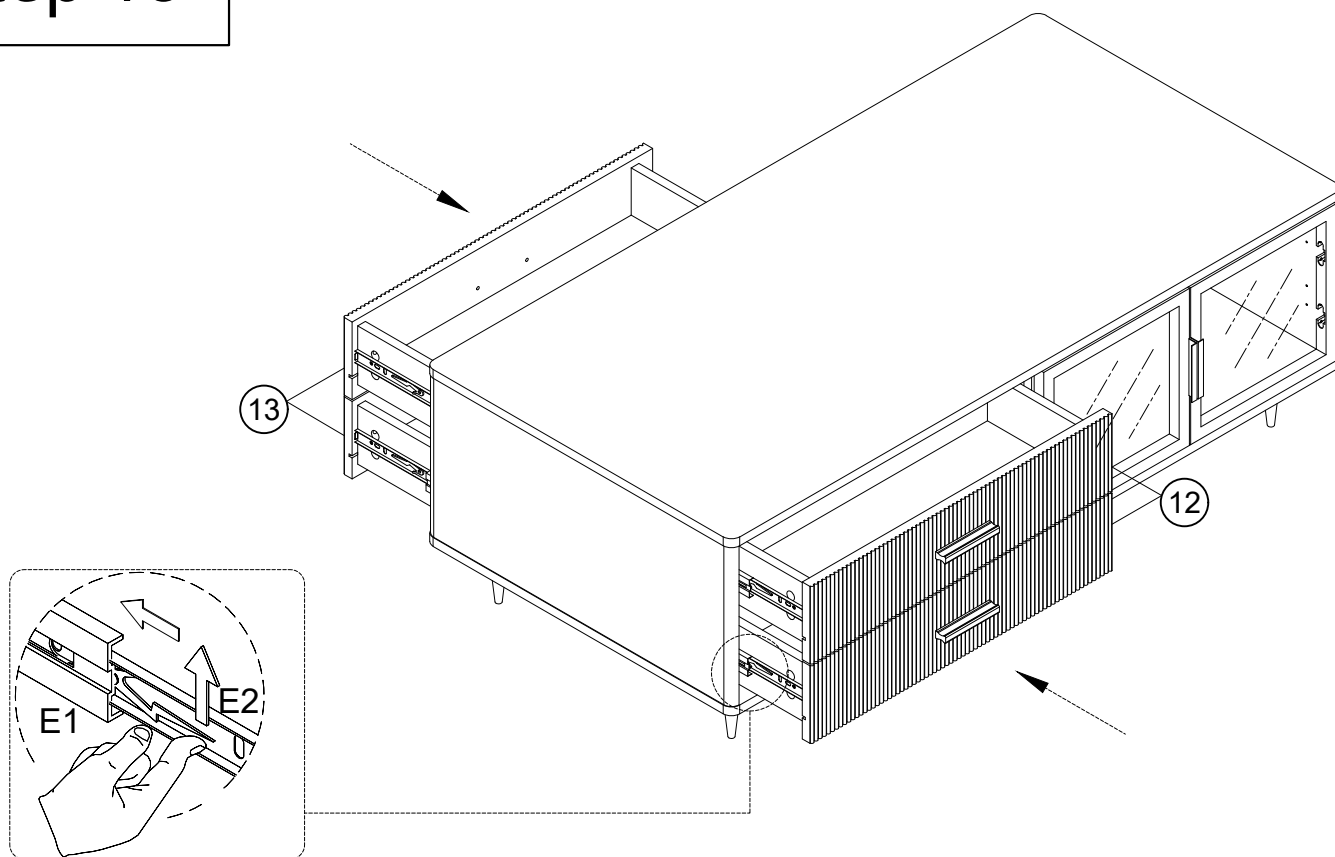
	I x 16 pcs
	E <sub>2</sub> x 8 pcs

# Step 17

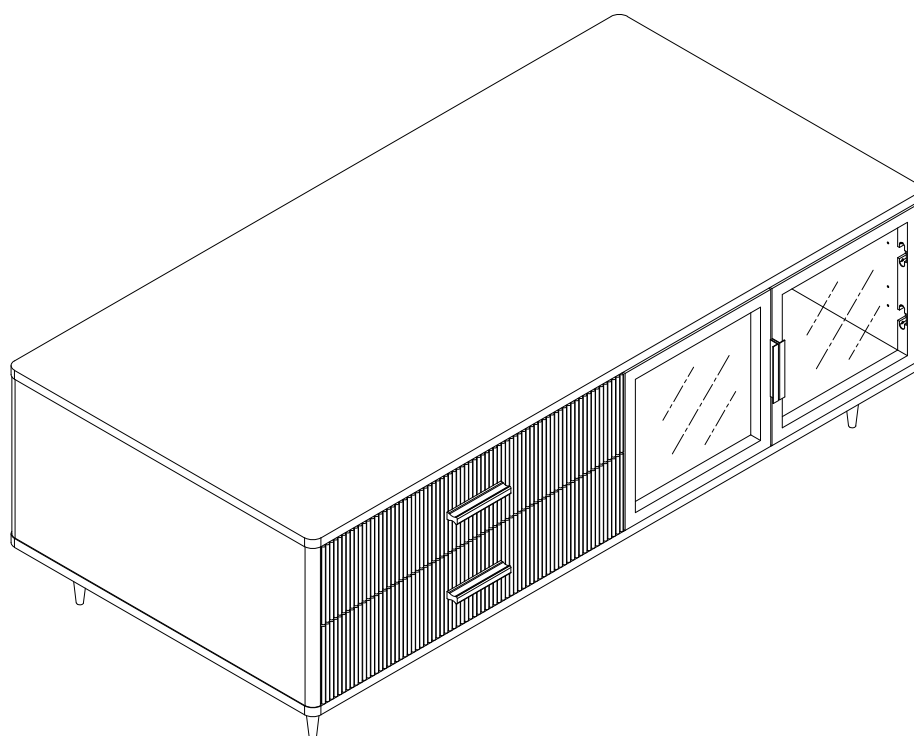


	F x 4 pcs
	G x 8 pcs

## Step 18



## Step 19



**DE:** Wenn Sie die Lichter nicht erfolgreich arbeiten lassen können, überprüfen Sie bitte die Folgendes:

1. Bitte überprüfen Sie die Fernbedienung. Sie müssen die Fernbedienung abreißen Plastikseptum vor Gebrauch.
2. Lassen Sie die Fernbedienung nicht zu weit vom Empfänger entfernt sein Es gibt kein Hindernis zwischen ihnen.
3. Bitte beachten Sie, dass die Fernbedienung für den Transport keine Batterien enthält. Das Batteriemodell lautet: CR2025

**FR:** Si vous ne parvenez pas à faire fonctionner les lumières correctement, veuillez vérifier les points suivants?:

1. Veuillez vérifier la télécommande. Vous devez retirer le septum en plastique de la télécommande avant utilisation.
2. Ne laissez pas la télécommande être trop éloignée du récepteur. Il n'y a aucun obstacle entre eux.
3. Veuillez noter que la télécommande ne contient pas de piles pour le transport. Le modèle de batterie est?: CR2025

**UK:** If you can't make the lights work successfully, please check the following:

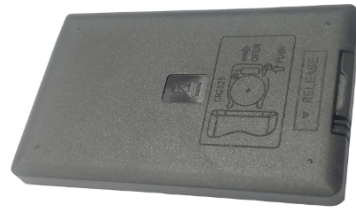
1. Please check the remote control. You need to tear off the remote plastic septum before use.
2. Don't let the remote control be too far from the receiver There is no obstacle between them.
3. Please note that the remote control does not contain batteries for transportation. The battery model is: CR2025

NOTE: The battery in the remote control requires you to purchase and install it yourself.  
Model: CR2025 3. V

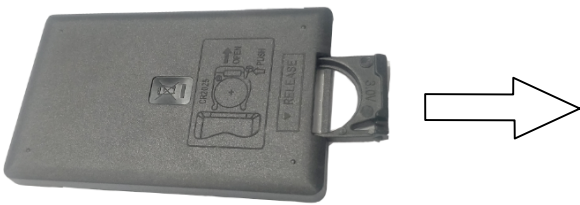
1



2



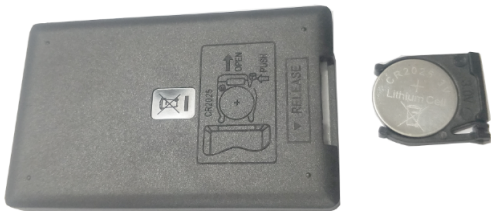
3



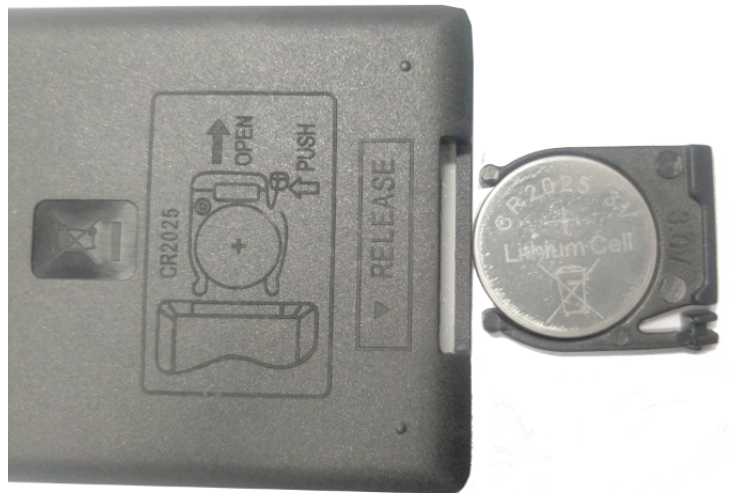
4



5

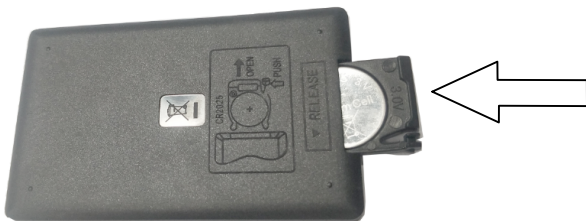


6

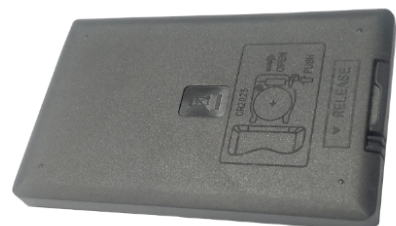


Modell : CR2025 3.V

7



8







Certificate Number: HW20200902023E  
EMC Directive 2014/30/EU

## Certificate Of Compliance

Applicant : Hanron Lighting Co., Limited  
3/F, NO.1, Jintai Road, Second Industrial Park, Shangwu  
Address : Community, Shiyan, Bao'an District, Shenzhen,  
Guangdong, 518108, China  
Manufacturer : Hanron Lighting Co., Limited  
3/F, NO.1, Jintai Road, Second Industrial Park, Shangwu  
Address : Community, Shiyan, Bao'an District, Shenzhen,  
Guangdong, 518108, China  
Product : LED Strip Light  
Model No. : HR00-B, HR00-A, HR00-C, HR00-D, HR00-F, HR00-G,  
HR00-H, HR00-I

The submitted products have been tested by us with the following standard(s) and found to be in compliance with the listed European Directives.

EN 55015:2013+A1:2015;  
EN 61000-3-2:2014;  
EN 61000-3-3:2013;  
EN 61547:2009

The test results apply only to the particular sample tested and to the specific tests carried out. Technical Report and documentation are at the Holder's disposal.  
This certificate applies specifically to the sample investigated in our test reference number only. The CE markings as shown below can be affixed on the product after preparation of necessary technical documentation. Other relevant Directives have to be observed.

# CE



Manager: Guy Su  
Date: September 2, 2020

Shenzhen Huawin Testing Certification Co., Ltd.

Add: 7F, Building A, Shenye U Center, No. 743, Zhoushi Road, Bao'an District, Shenzhen, China

Http://www.huawinlab.com E-mail: info@huawinlab.com