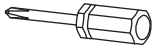


Coffee Table Installation

Tools You Will Need: Tools You May Need



philis head screwdrier
rewuired of assembly
(not include)



hammer
(not include)



electric drill
(not include)

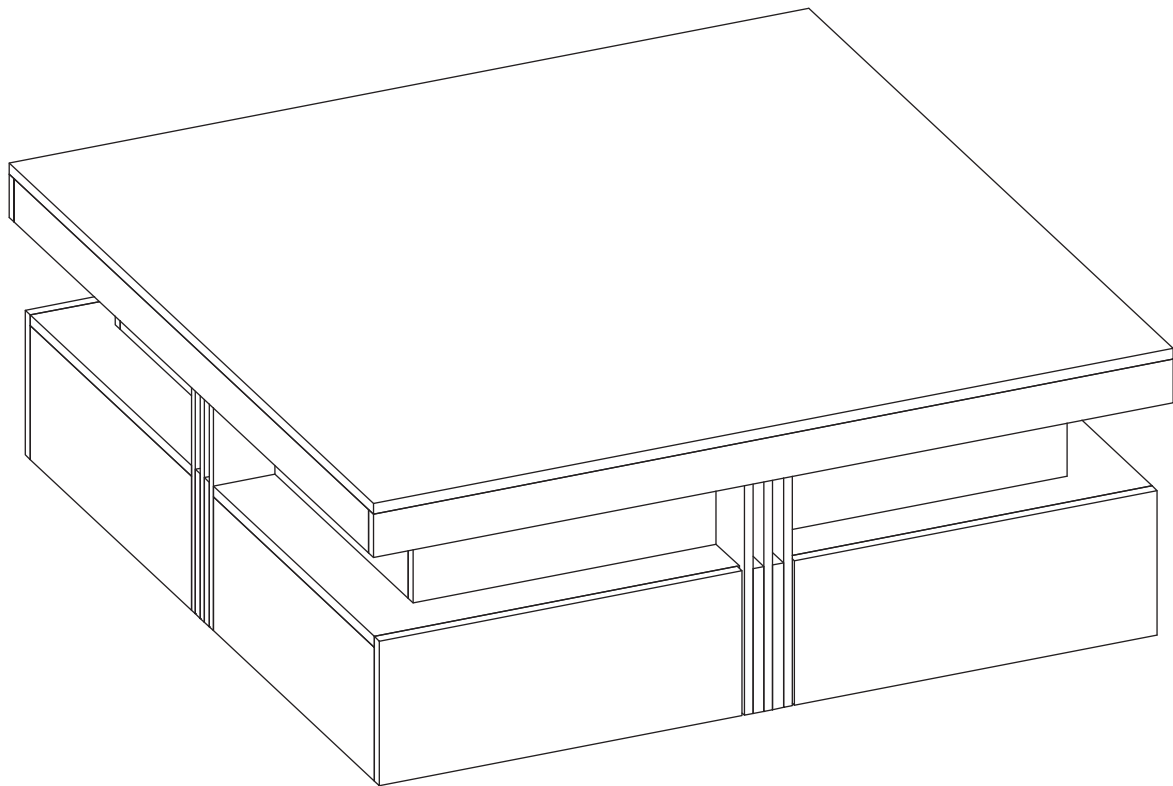
Before the Installation

1. Do not throw away packing materials until assembly is complete for small parts may come loose inside the carton during shipment. If parts are missing, please contact us.
2. Assemble this item on a soft surface, such as carpet to protect the finish.
3. Proper assembly of this item requires 2 people.
4. Periodically check to ensure that all connections are tight.
5. It is recommended that installation of the product be done by a qualified licensed furniture assembler.

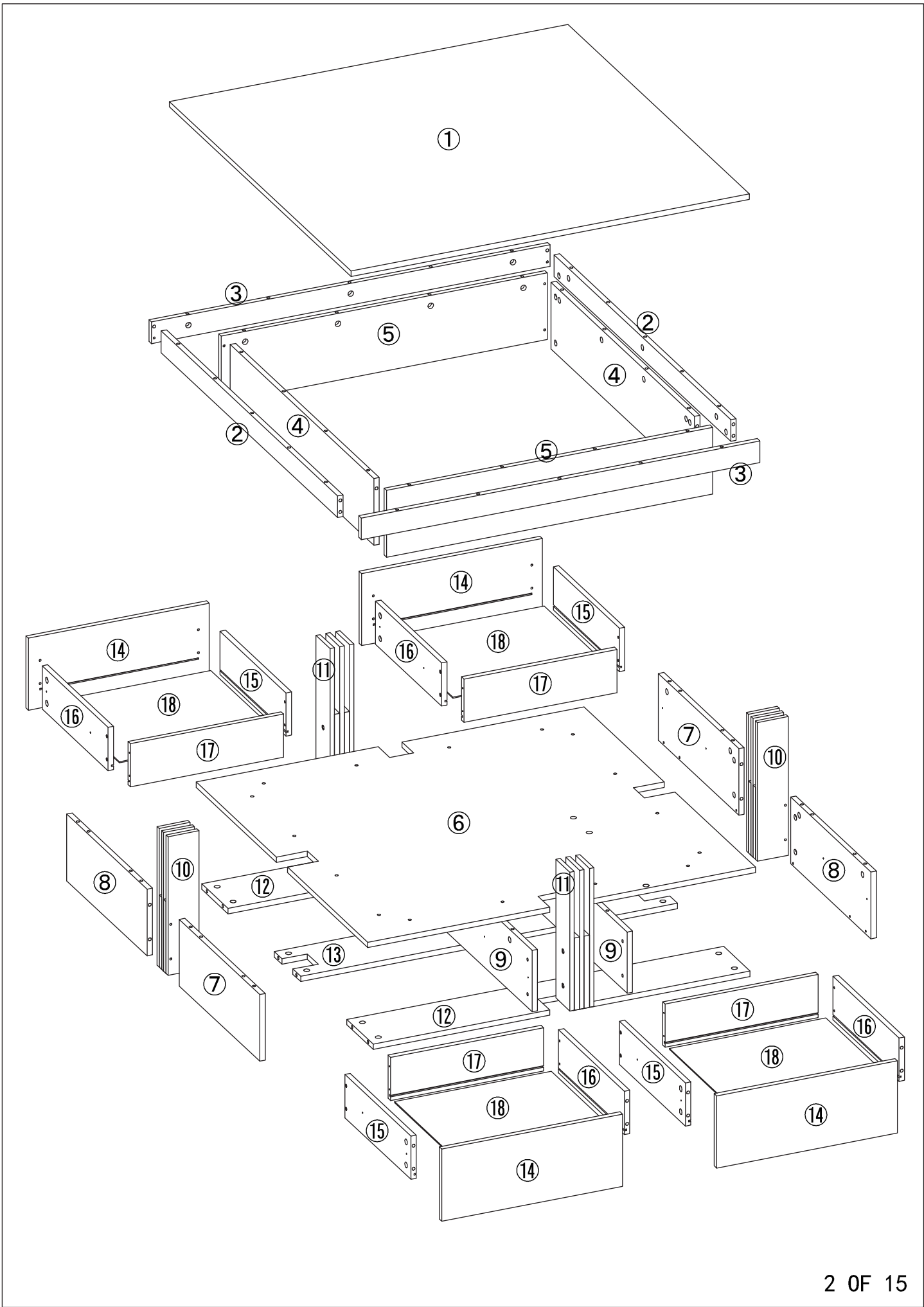
Care and Cleaning

1. To protect the finish, avoid use chemicals and household cleaners.
2. All hot serving dishes should be placed on a pad.
3. Any liquid spilled onto the top should be cleaned up immediately with a damp cloth.

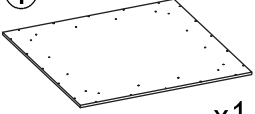

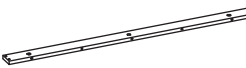
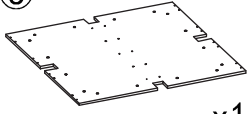
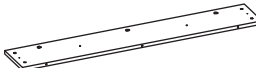
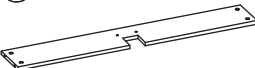
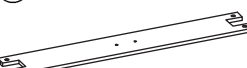
Parts List



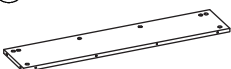
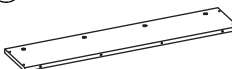
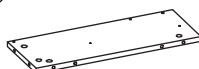




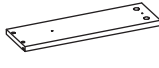


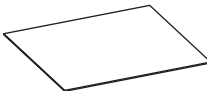
Note: Do not fully tighten all bolts until all parts are in place. Failure to follow these instructions may cause the bolt to misalign during assembly.



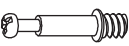












Parts List for WF306808

①  x1	②  x2	③  x2	⑥  x1	⑨  x2
⑫  x2	⑬  x1			

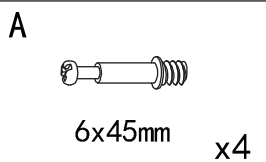
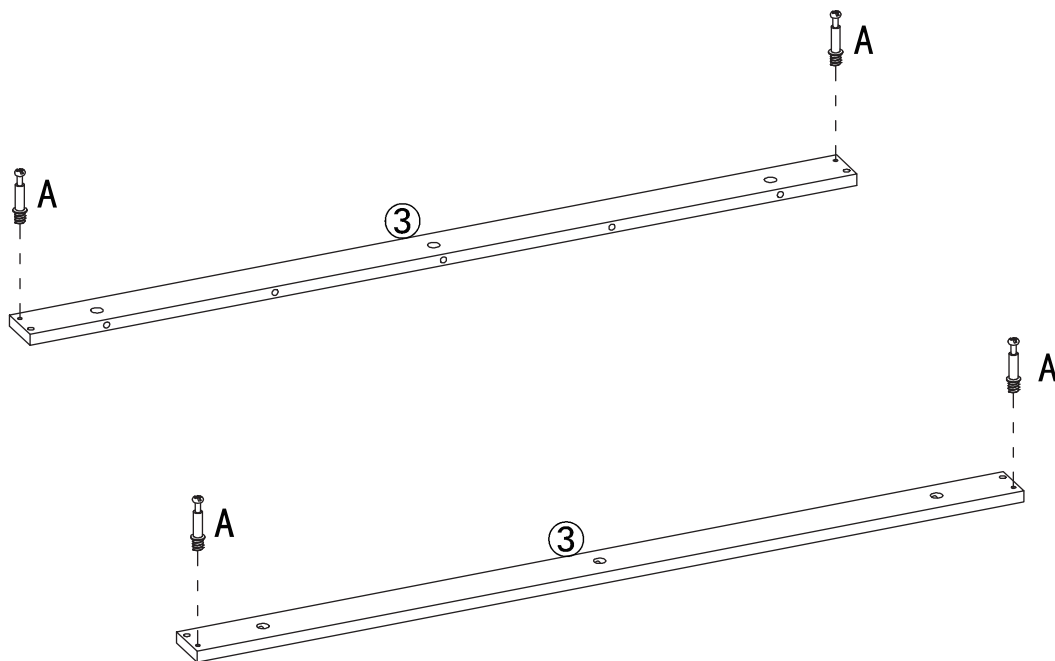
Parts List for WF306809

④  x2	⑤  x2	⑦  x2	⑧  x2	⑩  x2
⑪  x2	⑭  x4	⑮  x4	⑯  x4	⑰  x4
⑱  x4				

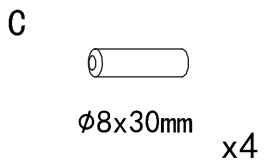
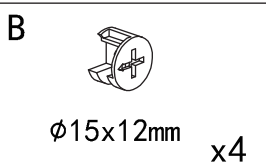
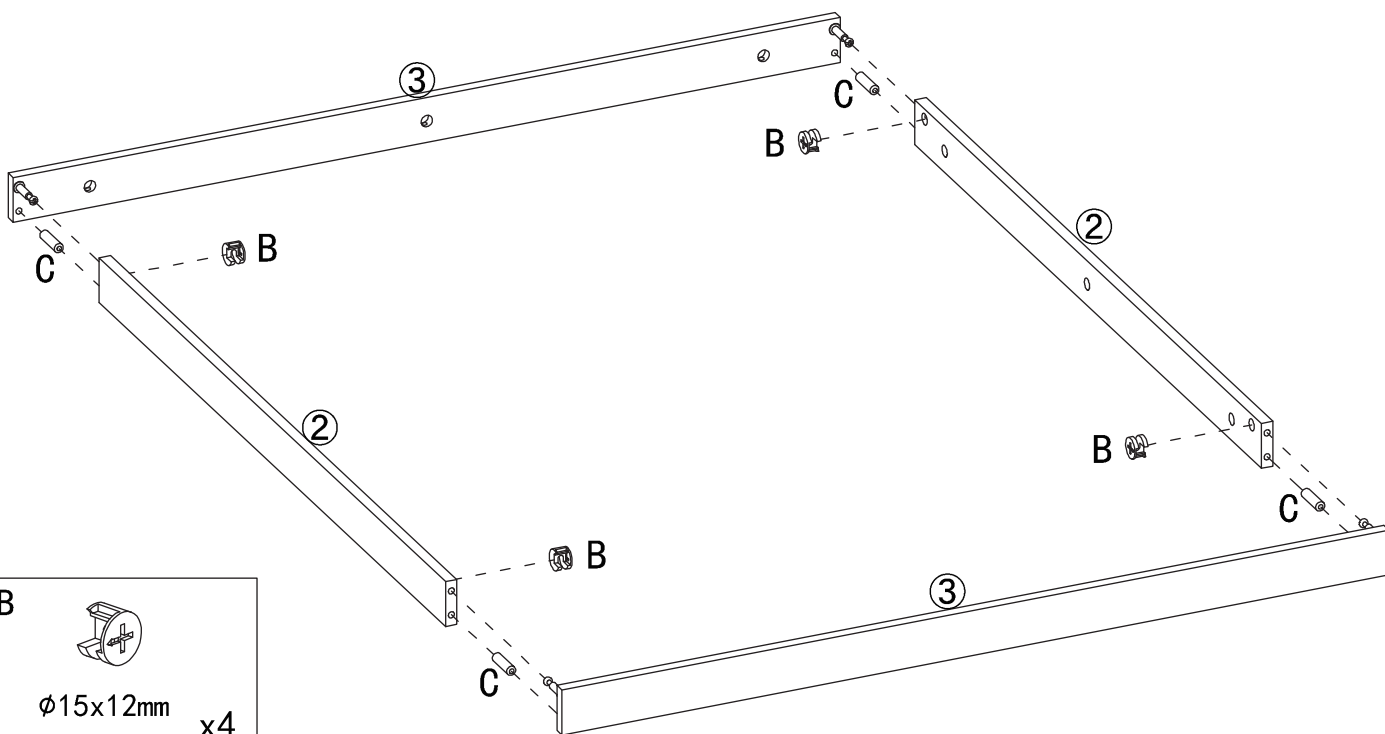
Hardware List for WF306809

A  6x45mm x90	B  φ15x12mm x50	C  φ8x30mm x24	D  6x50mm x22	E  M6x25mm x8
F  390mm x8	G  390mm x8	H  M4x12mm x48	I  M4x30mm x16	J  φ30x20mm x6
K  M4x25mm x6	L  φ15x9.5mm x40	M  M4 x1		

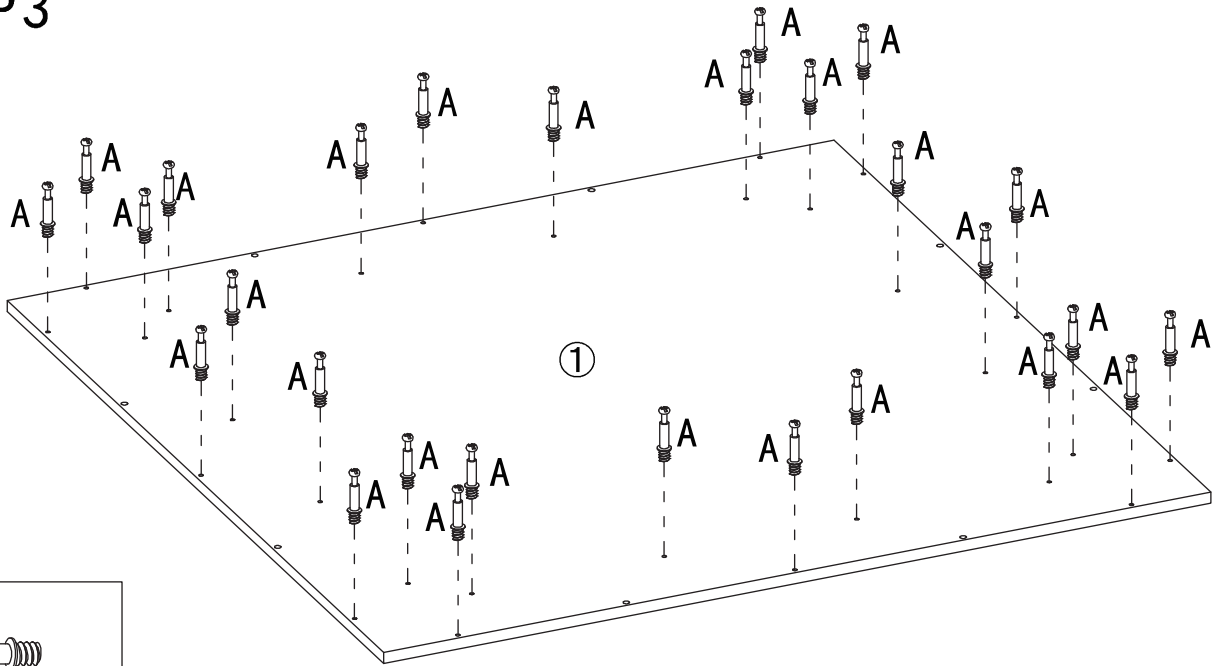
STEP 1



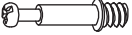
STEP 2



STEP3

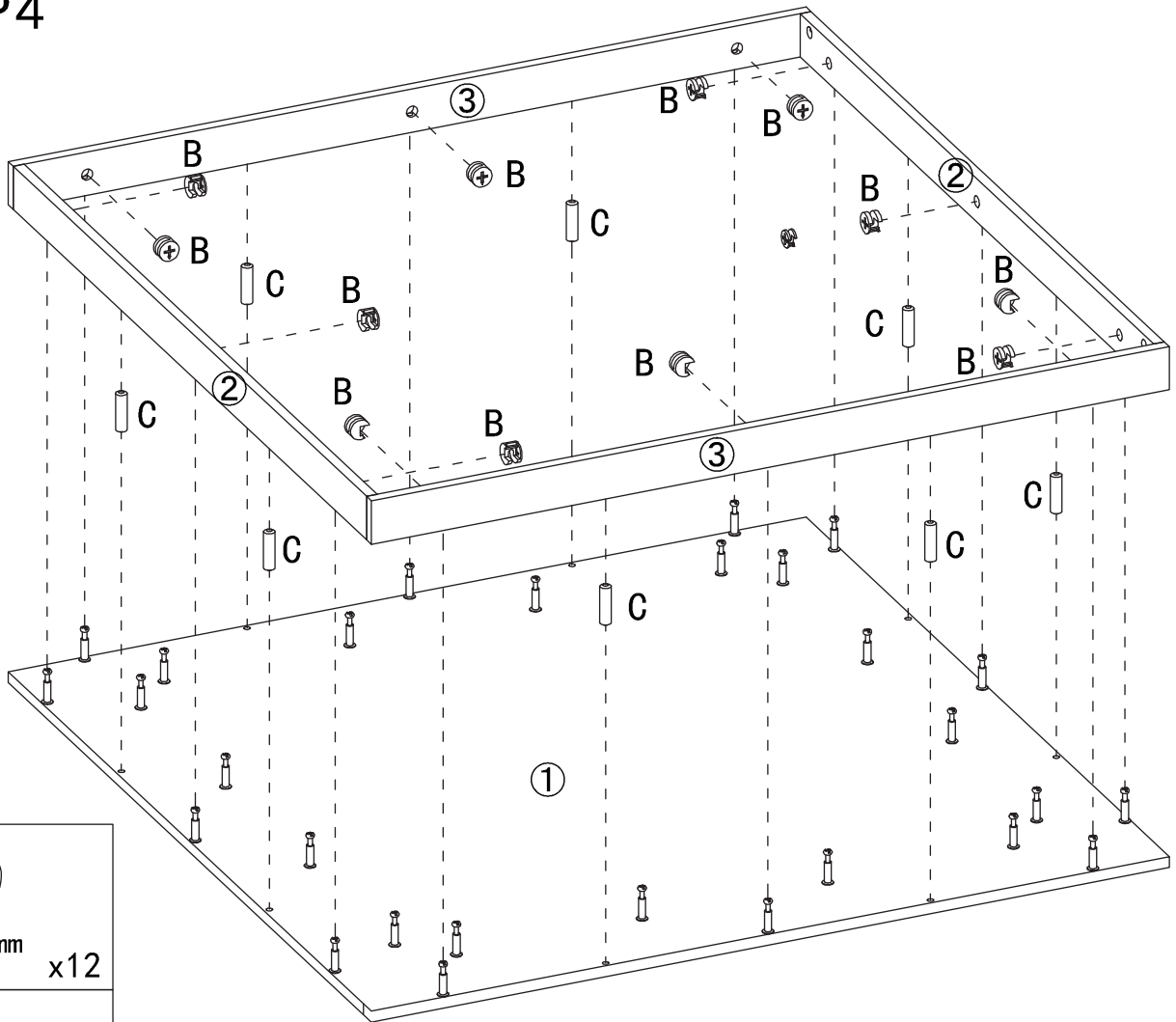


A




6x45mm x28

STEP4




B



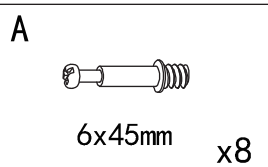
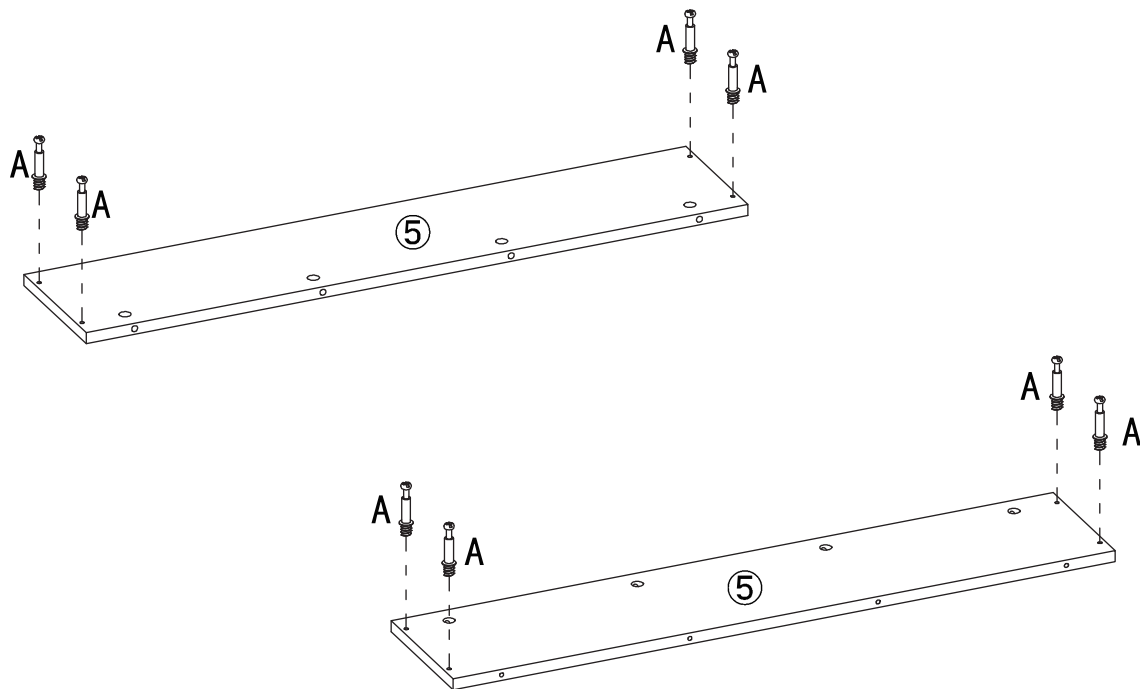
∅15x12mm x12

C

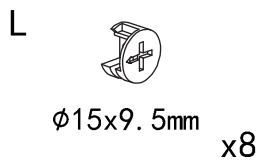
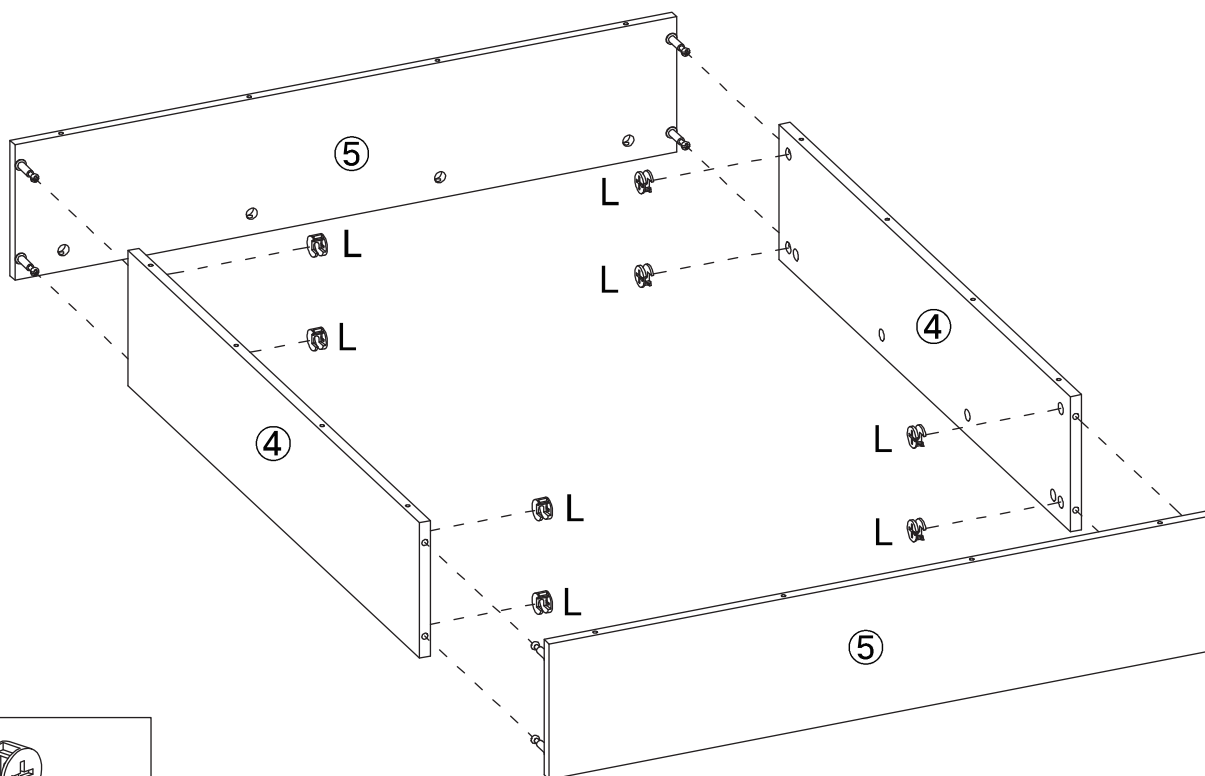


∅8x30mm x8

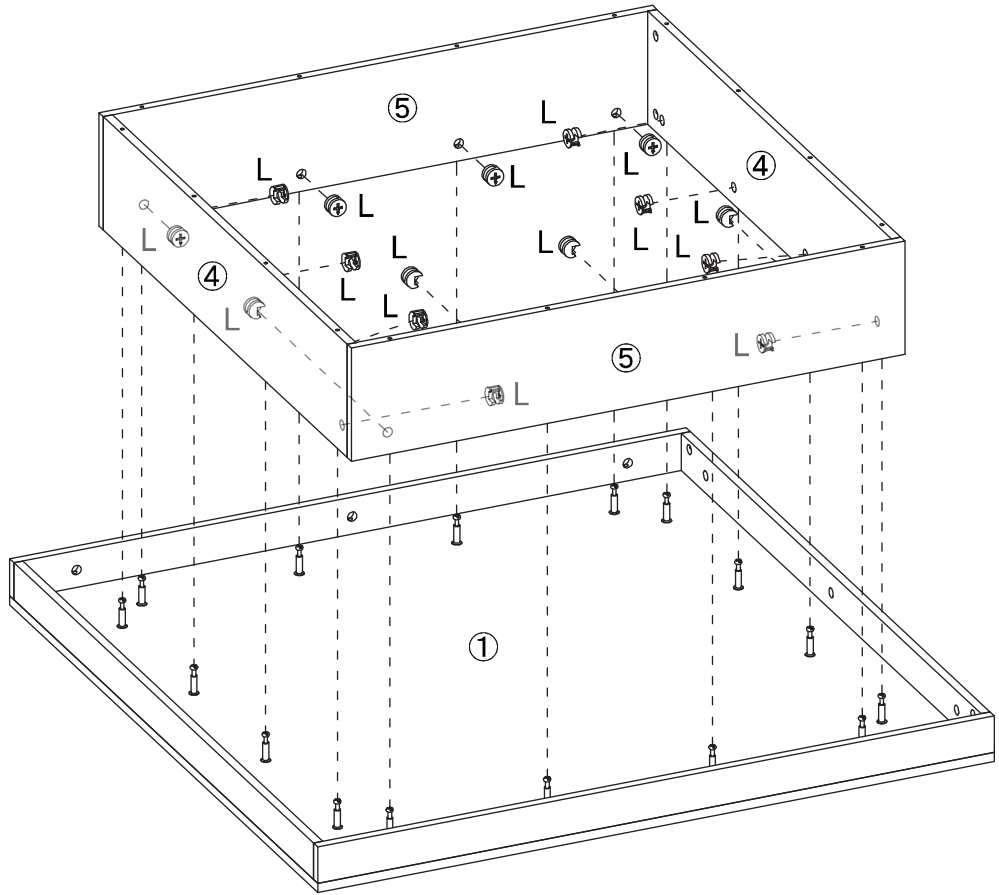
STEP5



STEP6



STEP 7

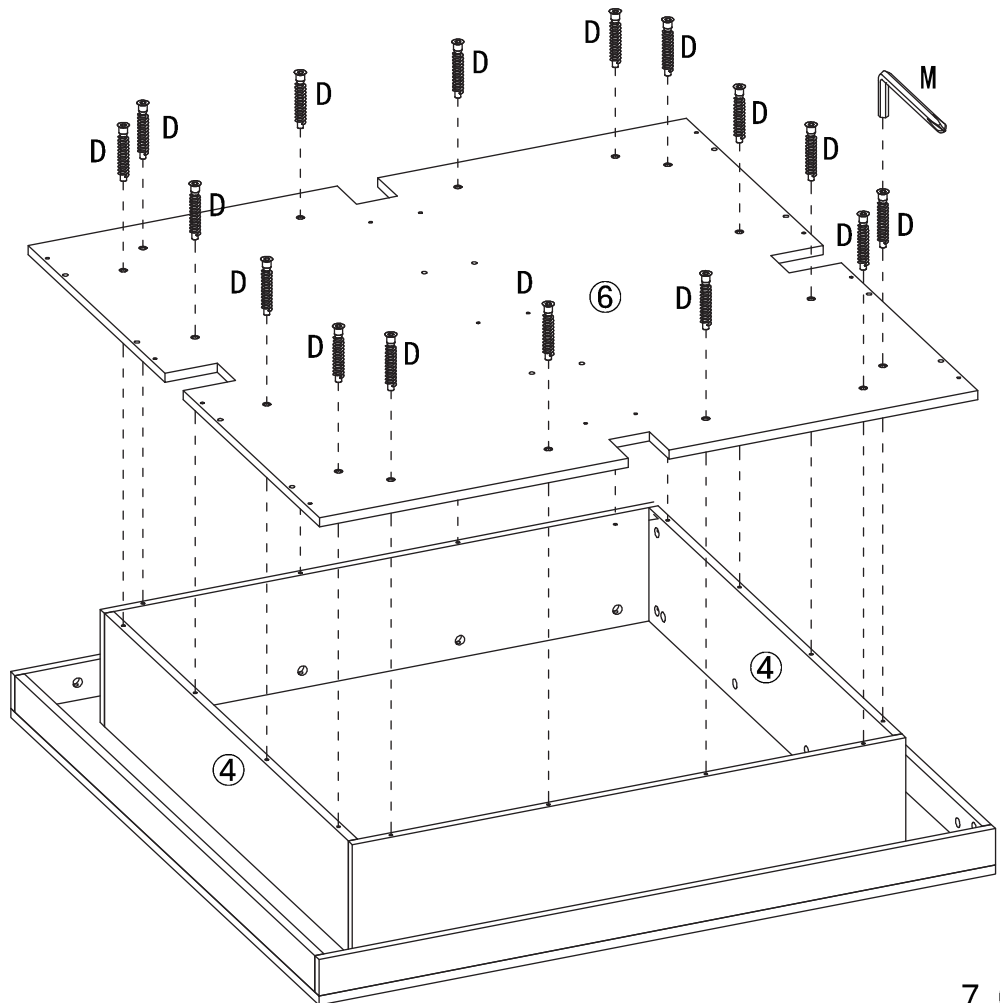


L



Ø15x9.5mm
x16

STEP 8



D



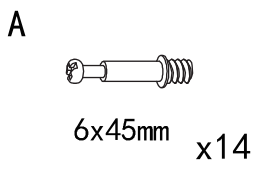
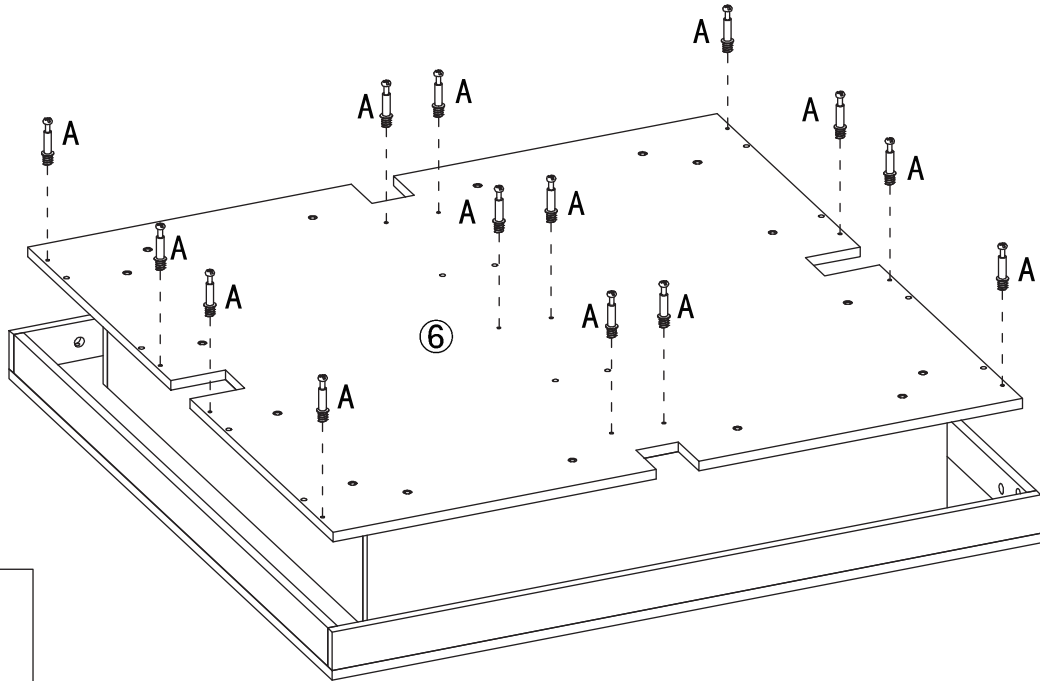
6x50mm
x16

M

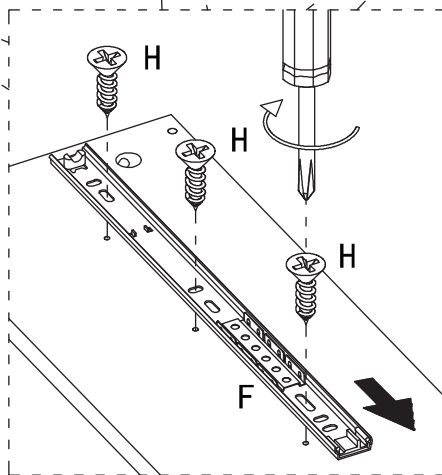
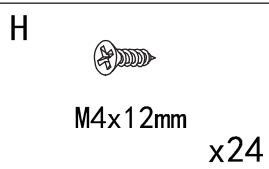
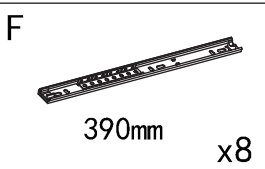
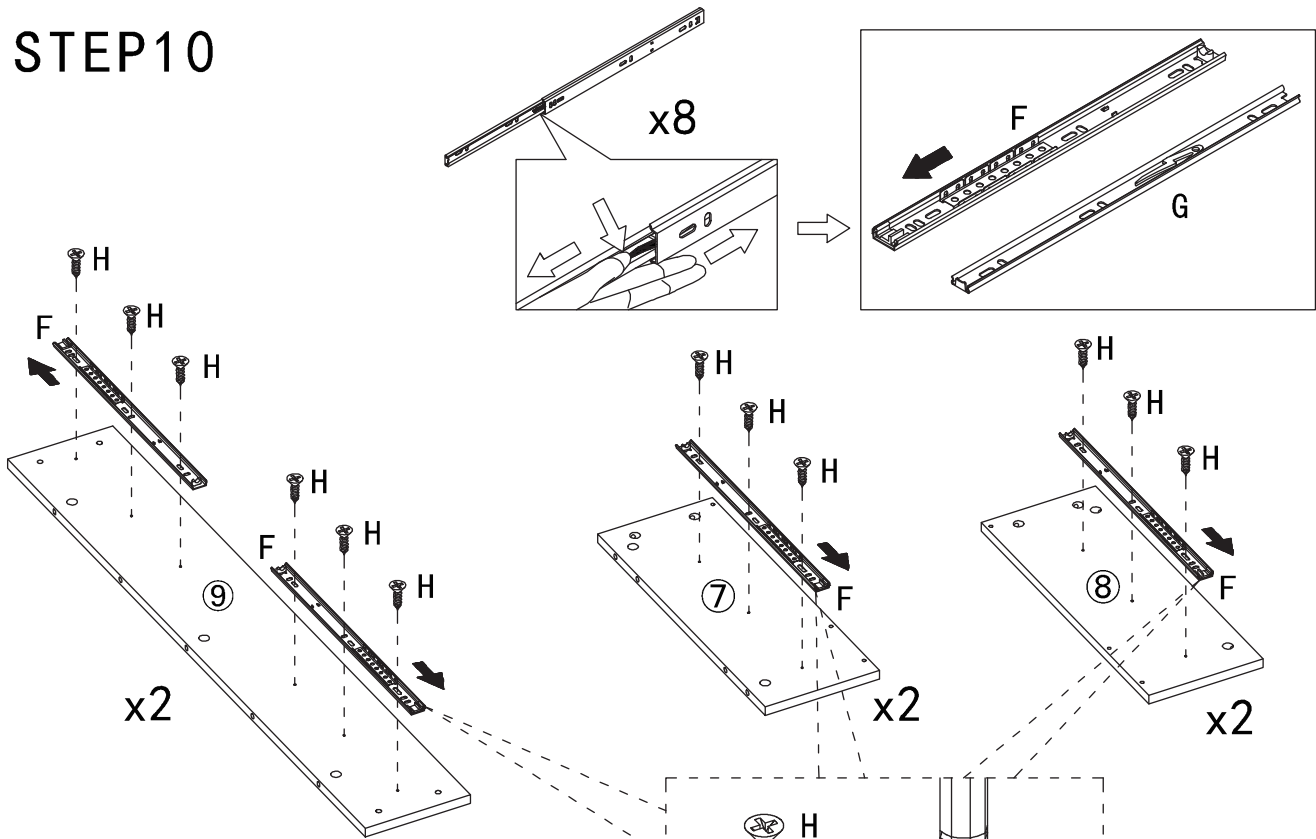


M4
x1

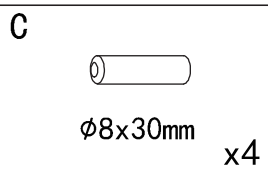
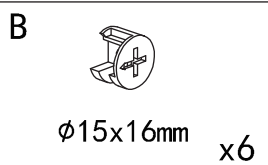
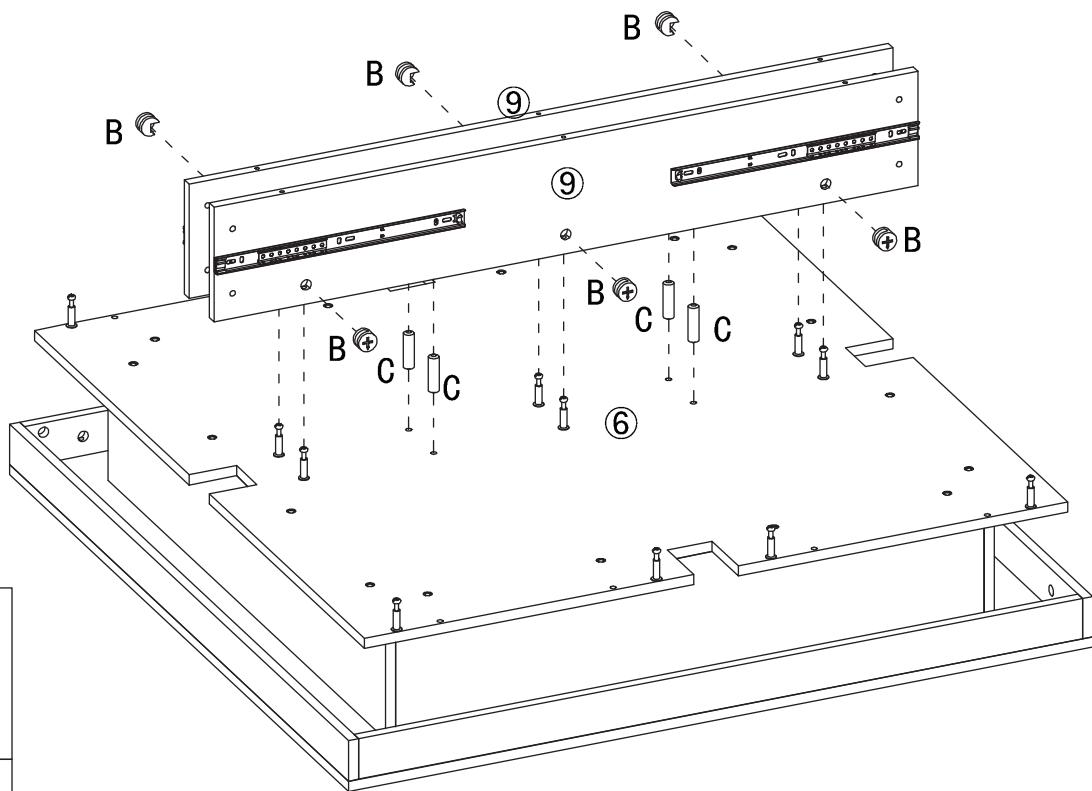
STEP 9



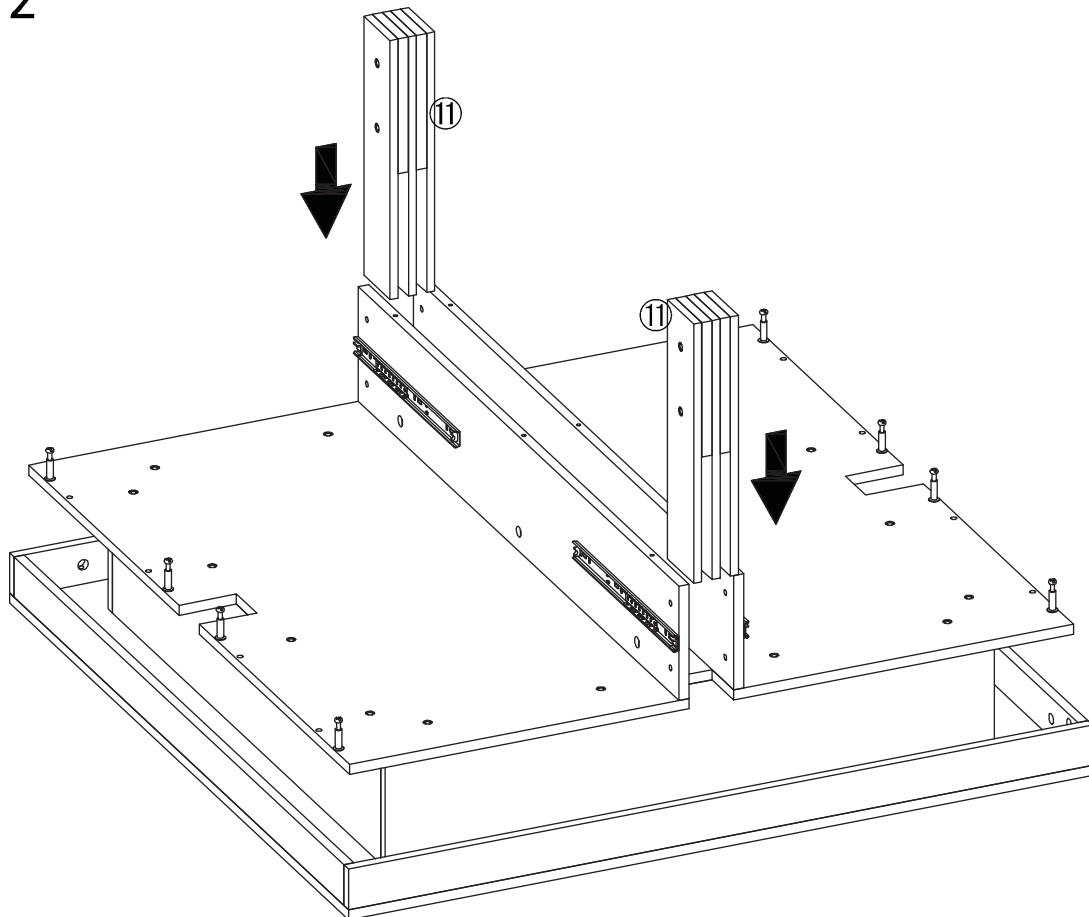
STEP 10



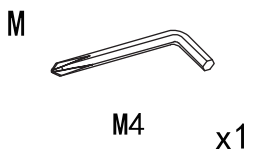
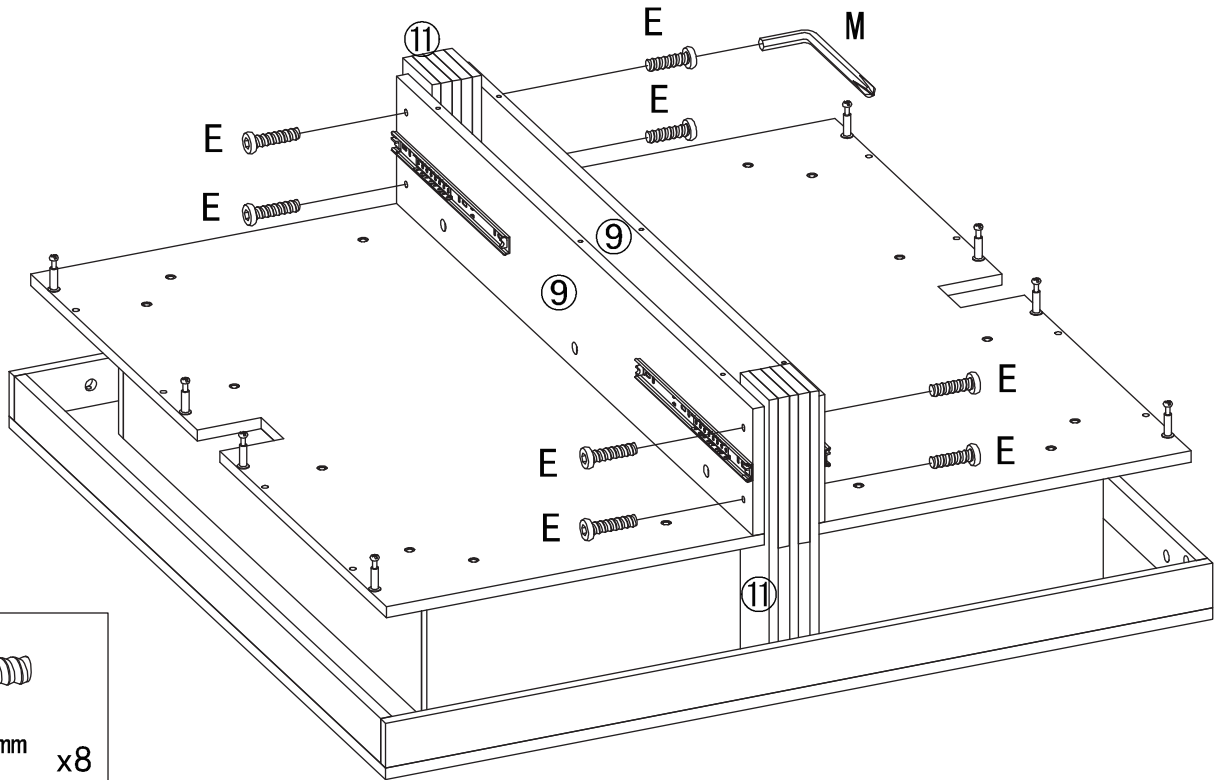
STEP 11



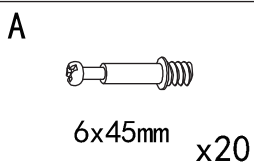
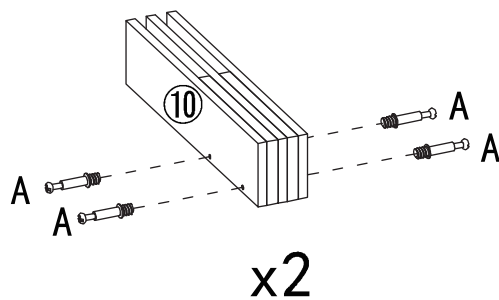
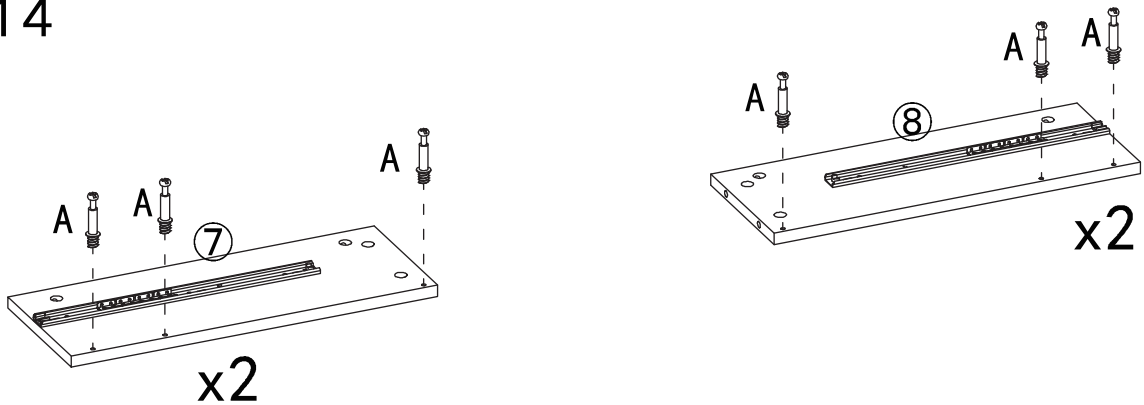
STEP 12



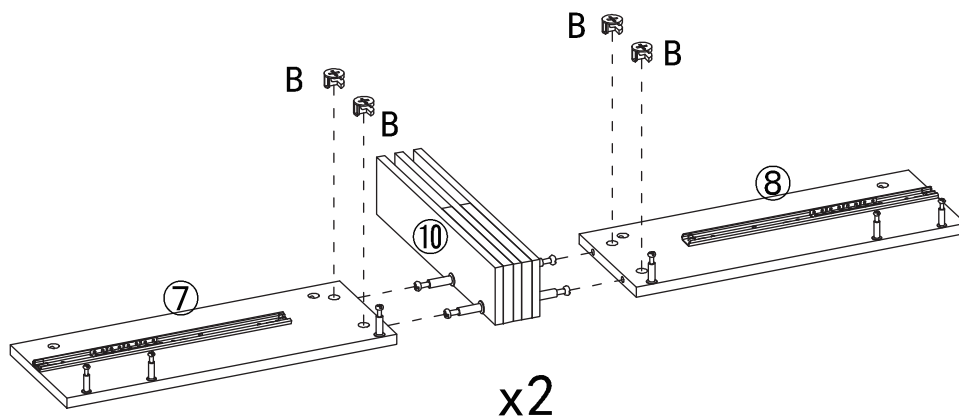
STEP 13



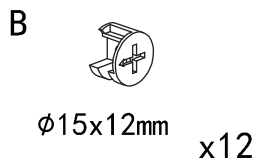
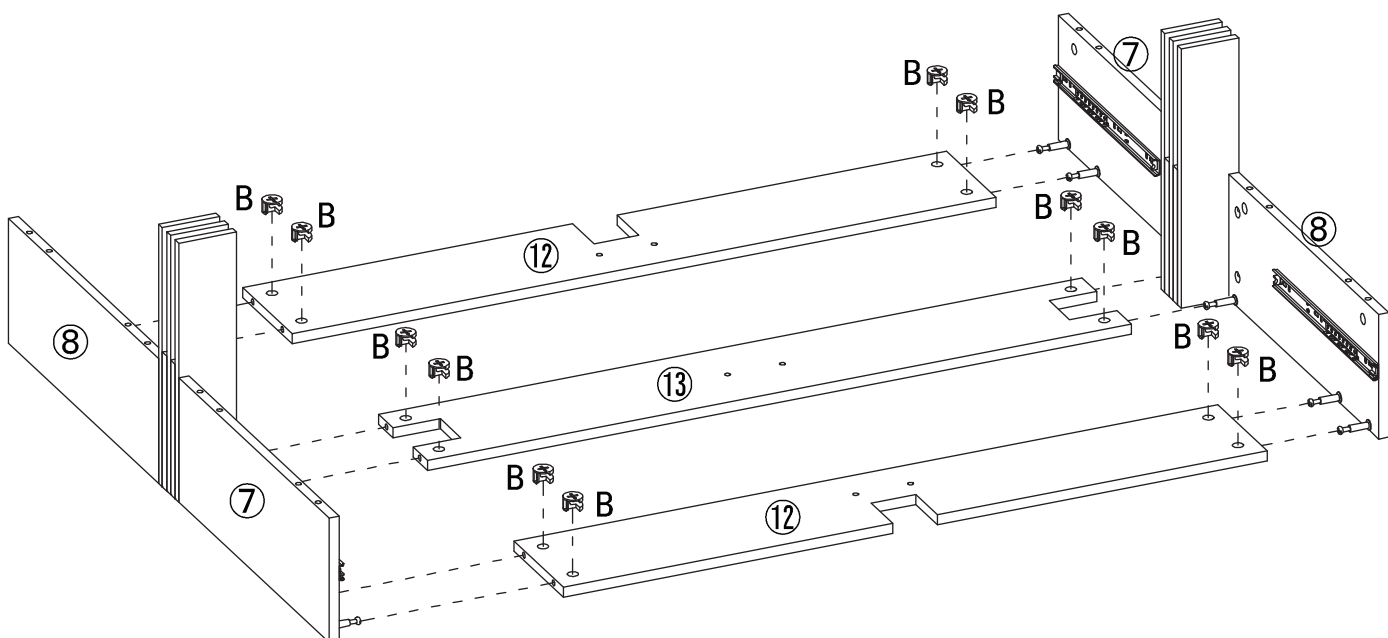
STEP 14



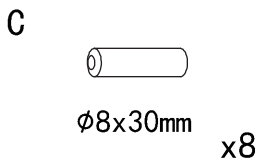
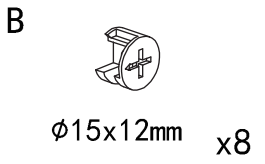
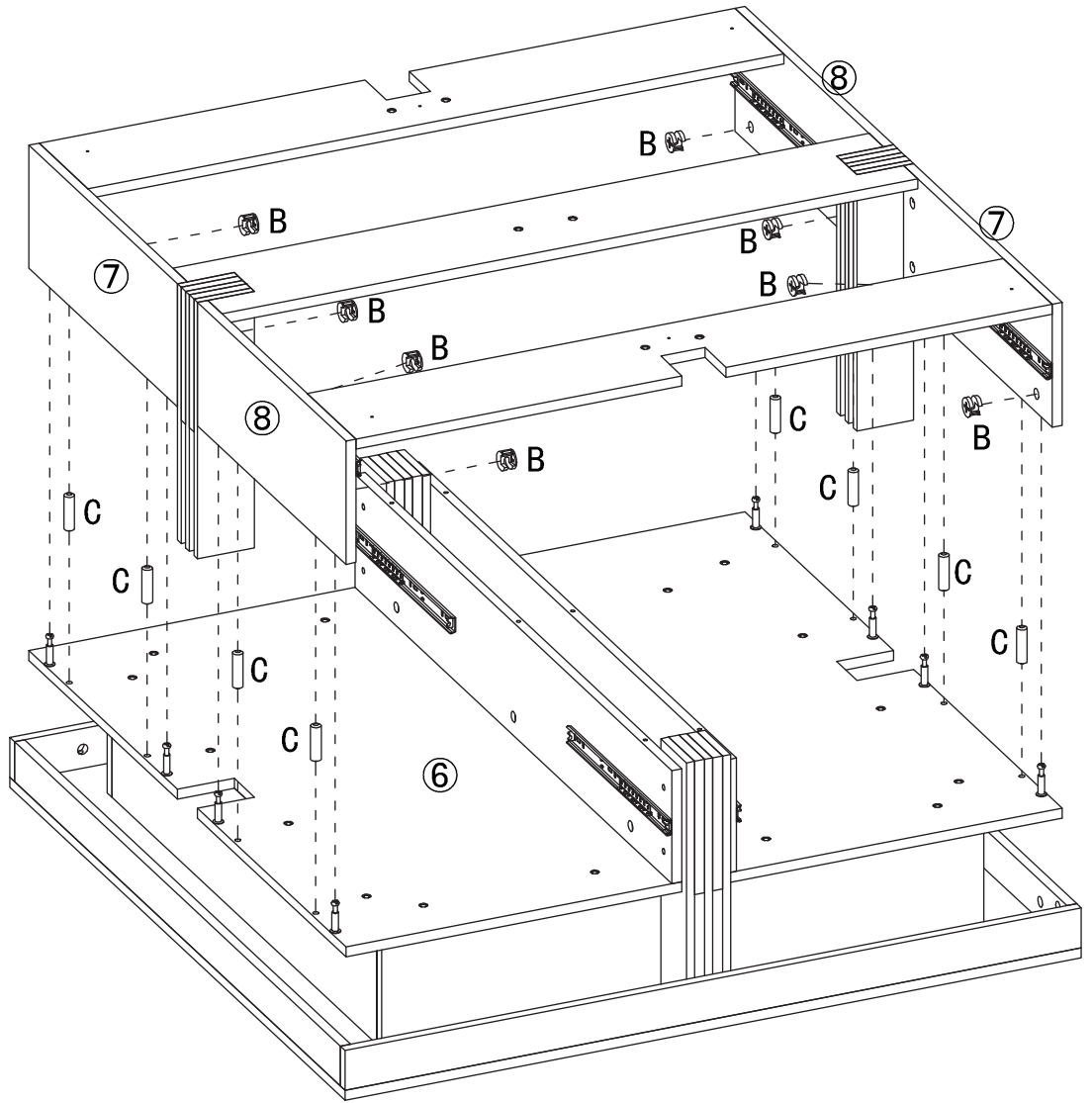
STEP 15



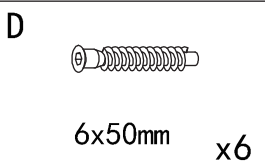
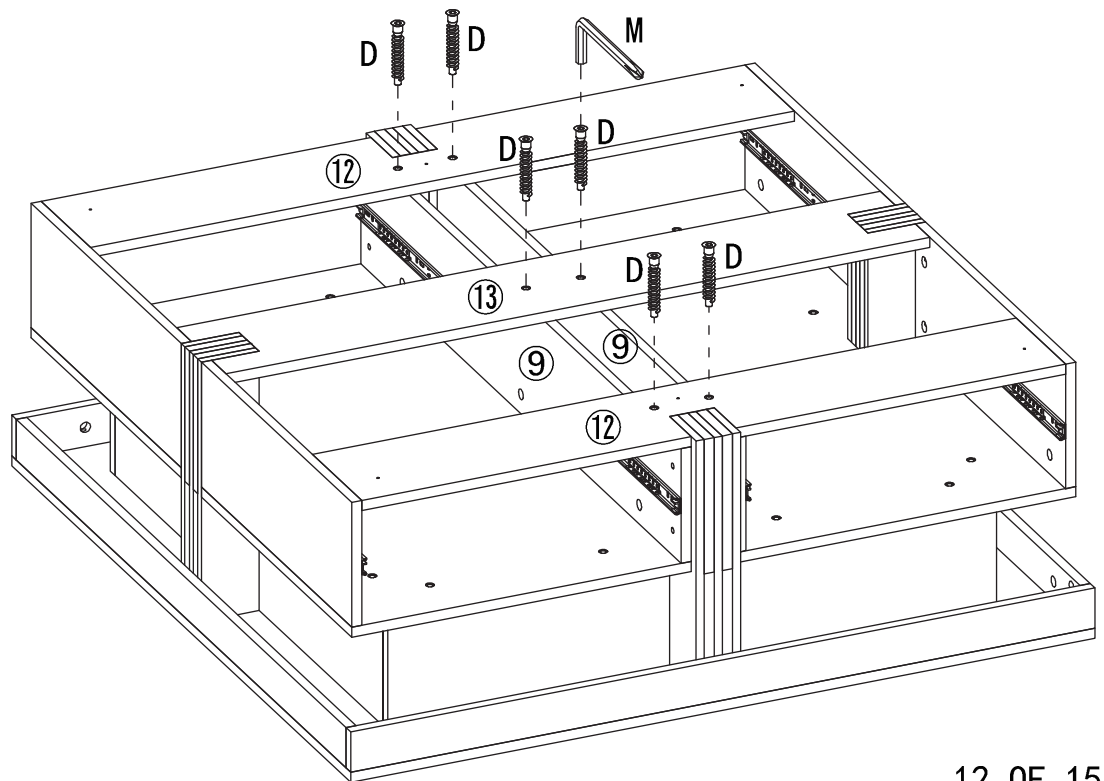
STEP 16



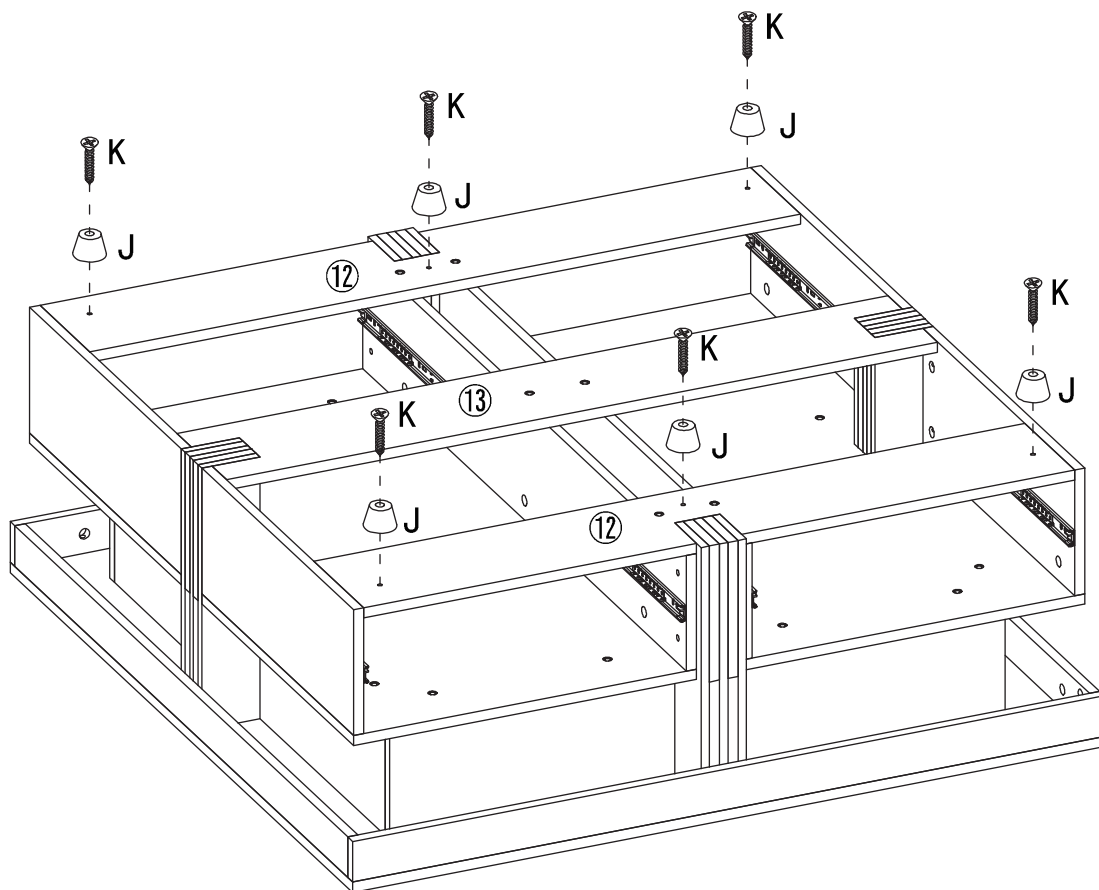
STEP 17



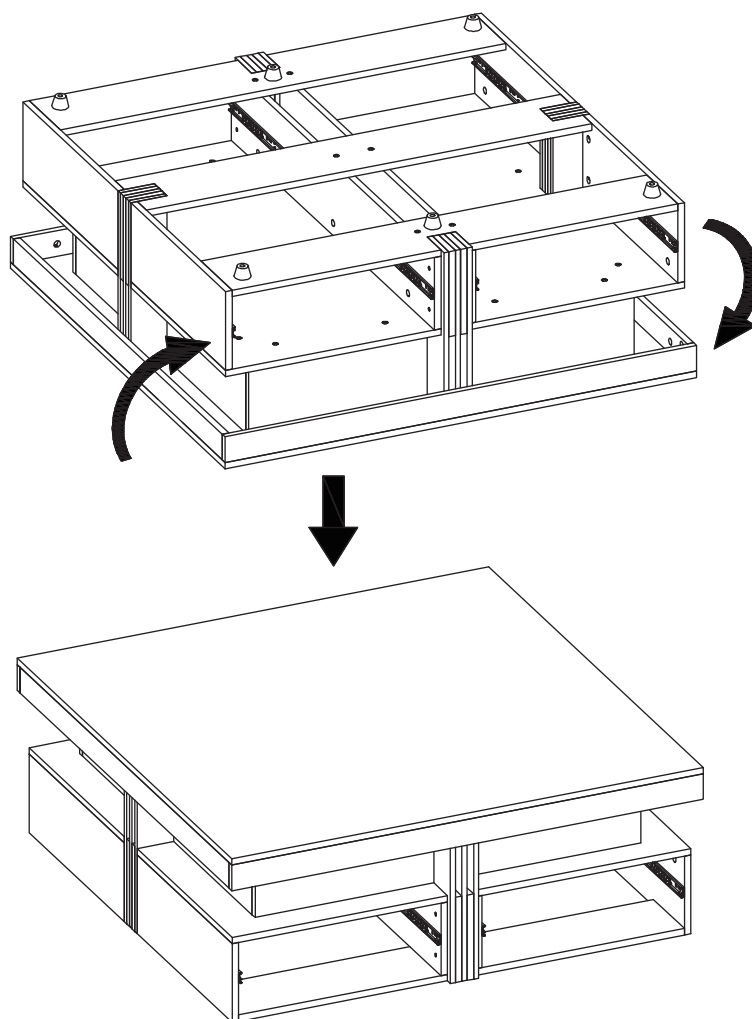
STEP 18



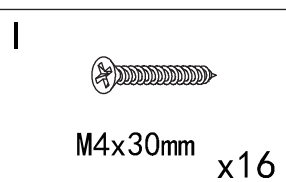
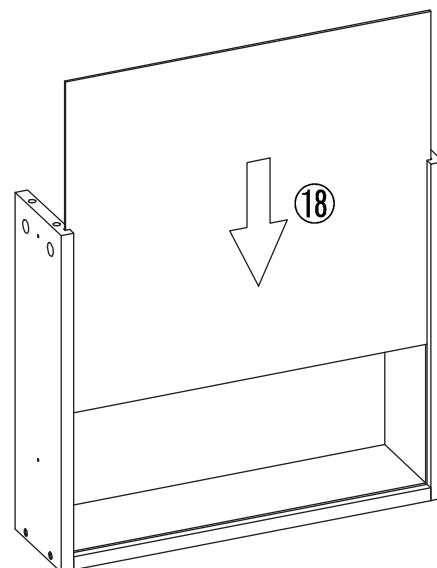
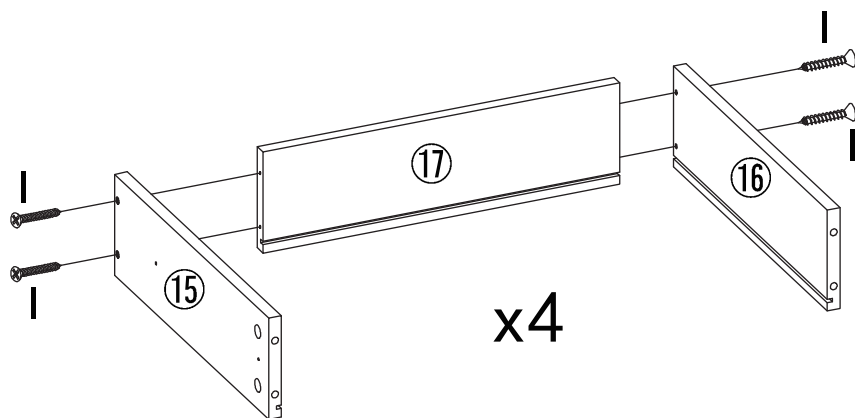
STEP 19



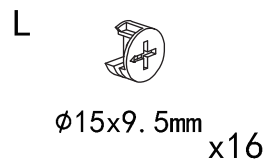
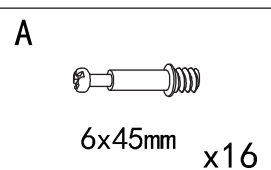
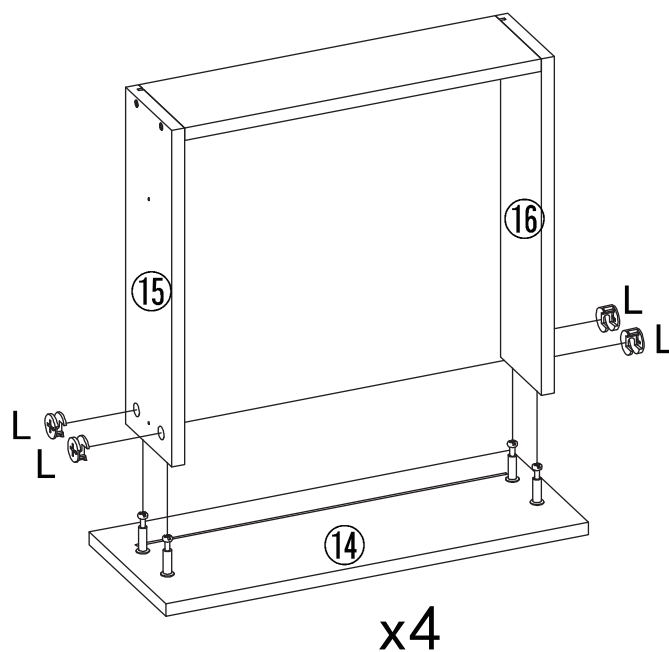
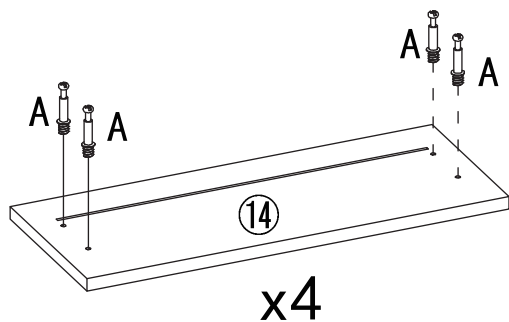
STEP 20



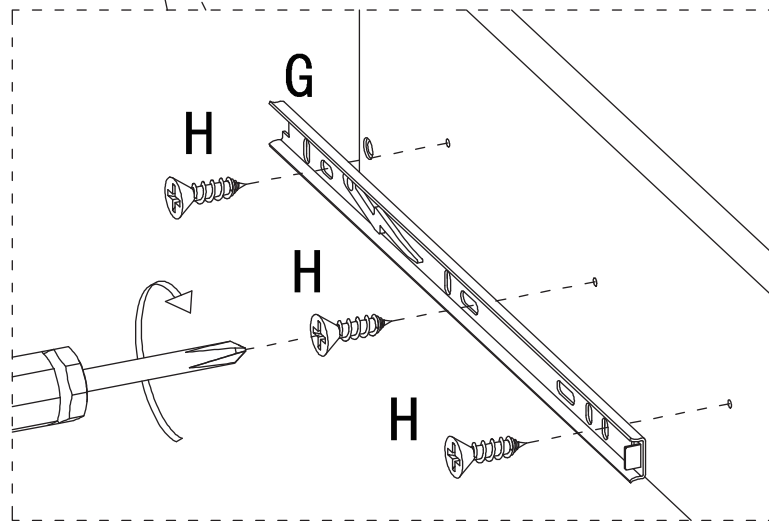
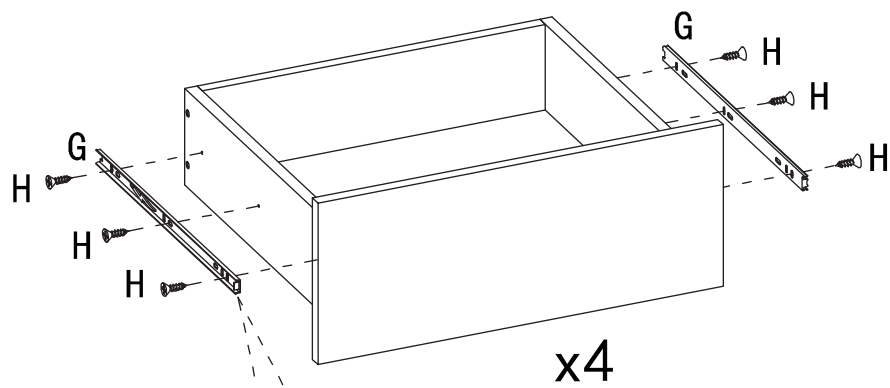
STEP21





STEP22



STEP23



G	
	390mm x4
H	
	M4x12mm x24

STEP24

