

# Coffee Table Installation

Tools You Will Need: Tools You May Need



phillis head screwdrier  
rewuired of assembly  
(not include)

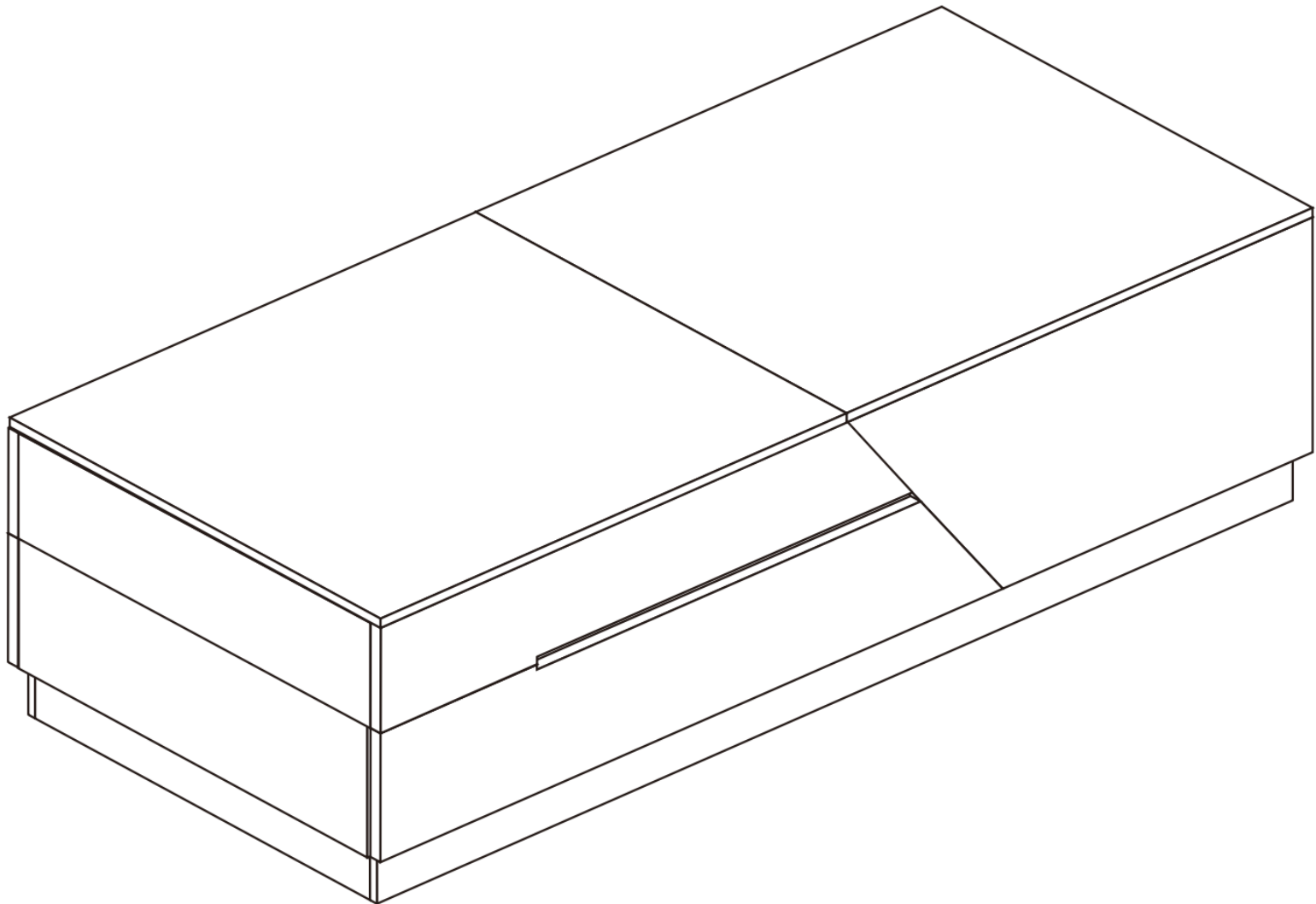
## Before the Installation

1. Do not throw away packing materials until assembly is complete for small parts may come loose inside the carton during shipment. If parts are missing, please contact us.
2. Assemble this item on a soft surface, such as carpet to protect the finish.
3. Proper assembly of this item requires 2 people.
4. Periodically check to ensure that all connections are tight.
5. It is recommended that installation of the product be done by a qualified licensed furniture assembler.

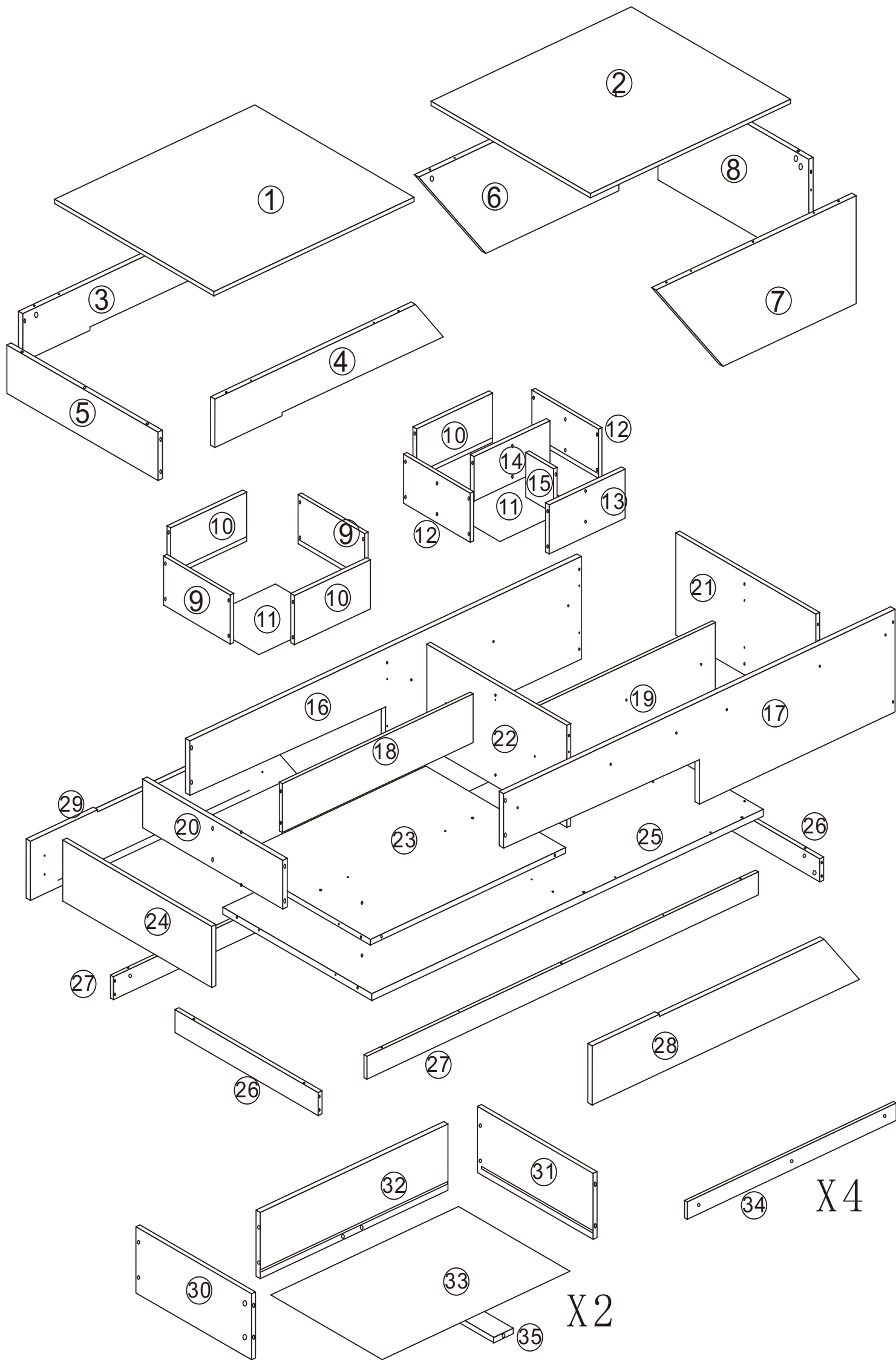
## Care and Cleaning

1. To protect the finish, avoid use chemicals and household cleaners.
2. All hot serving dishes should be placed on a pad.
3. Any liquid spilled onto the top should be cleaned up immediately with a damp cloth.

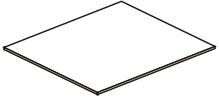
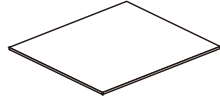
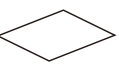
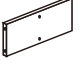
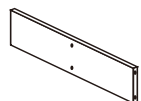
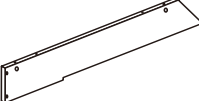
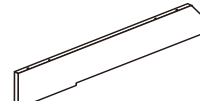
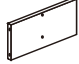

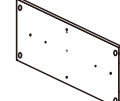
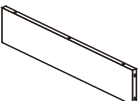
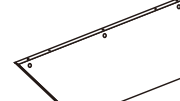



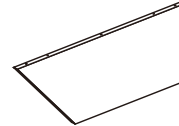
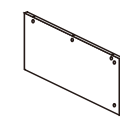

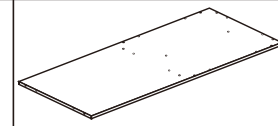

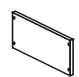
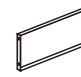
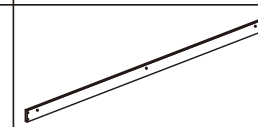
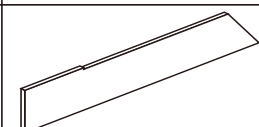
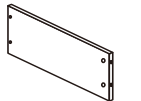
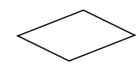
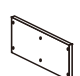
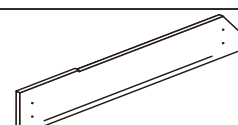
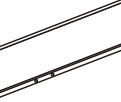
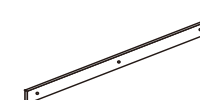
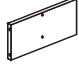
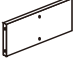
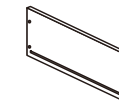



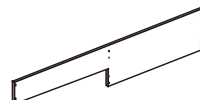
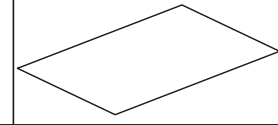

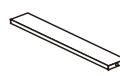
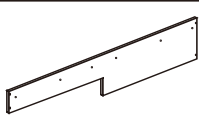
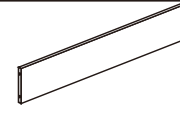

## Parts List



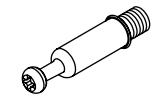

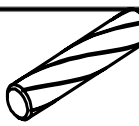

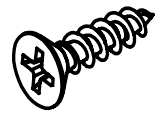
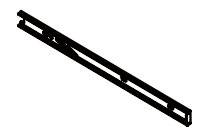








**Note:** Do not fully tighten all bolts until all parts are in place. Failure to follow these instructions may cause the bolt to misalign during assembly.



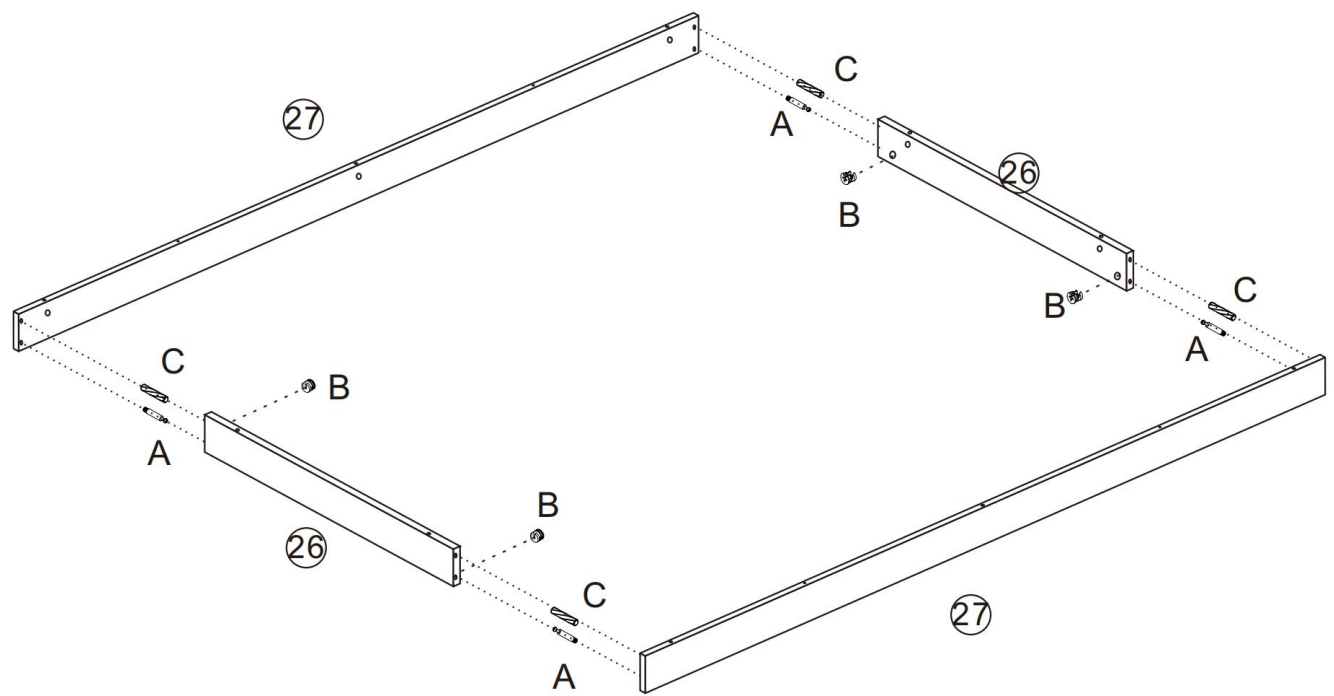
# Parts List

①		x1	②		x1	⑬		x2	⑭		x1	⑳		x1
③		x1	④		x1	⑮		x1	⑯		x1	㉑		x1
⑤		x1	⑥		x1	⑰		x1	⑱		x1	㉒		x1
⑦		x1	⑧		x1	⑲		x2	㉓		x1	㉔		x2
⑨		x2	⑩		x3	㉕		x2	㉖		x1	㉗		x2
⑪		x2	⑫		x2	㉘		x1	㉙		x2	㉚		x2
⑬		x1	⑭		x1	㉛		x2	㉜		x2	㉝		x4
⑮		x1	⑯		x1	㉞		x2	㉟		x2	㊱		x2
⑰		x1	⑱		x1	㊲		x2						

# Hardware List

A		6X35 mm	x59	B		15x10mm	x59	C		6x30mm	x57	D		4x35mm	x62
E		3.5x12mm	x52	F		250mm	x4	G		250mm	x4	H		4x20mm	x12
I			x6	J		550mm	x2	K		550mm	x2	L		400mm	x2
M		400mm	x2	N		∅ 20mm	x20								

# STEP 1



A 6X35mm    B 15X10mm    C 6X30mm

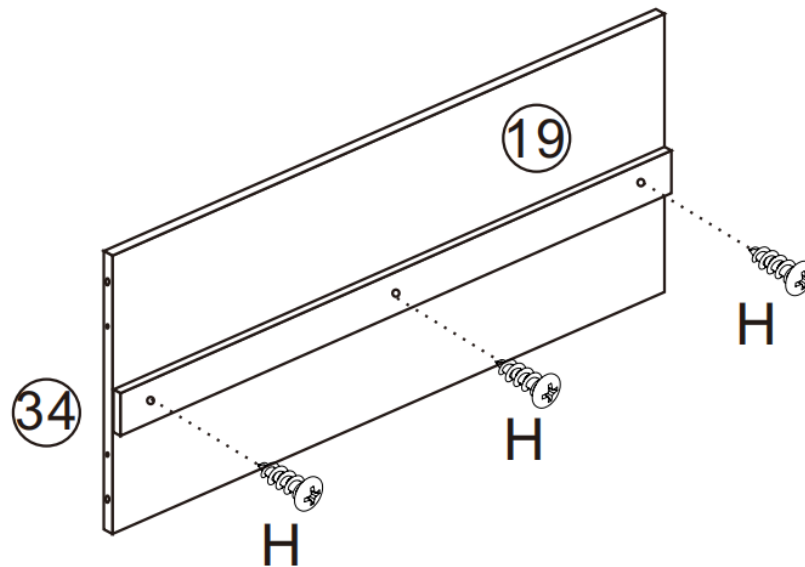


X4

x4

X4

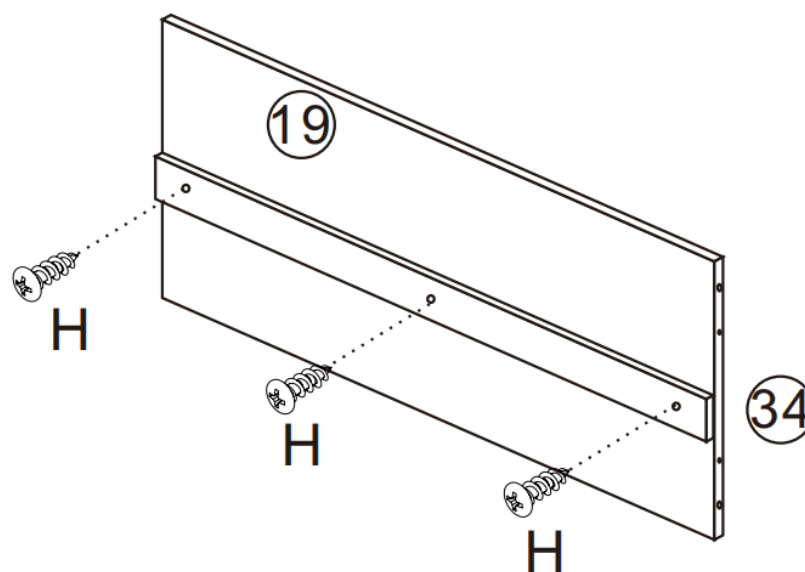
# STEP 2



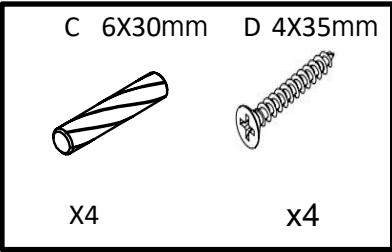
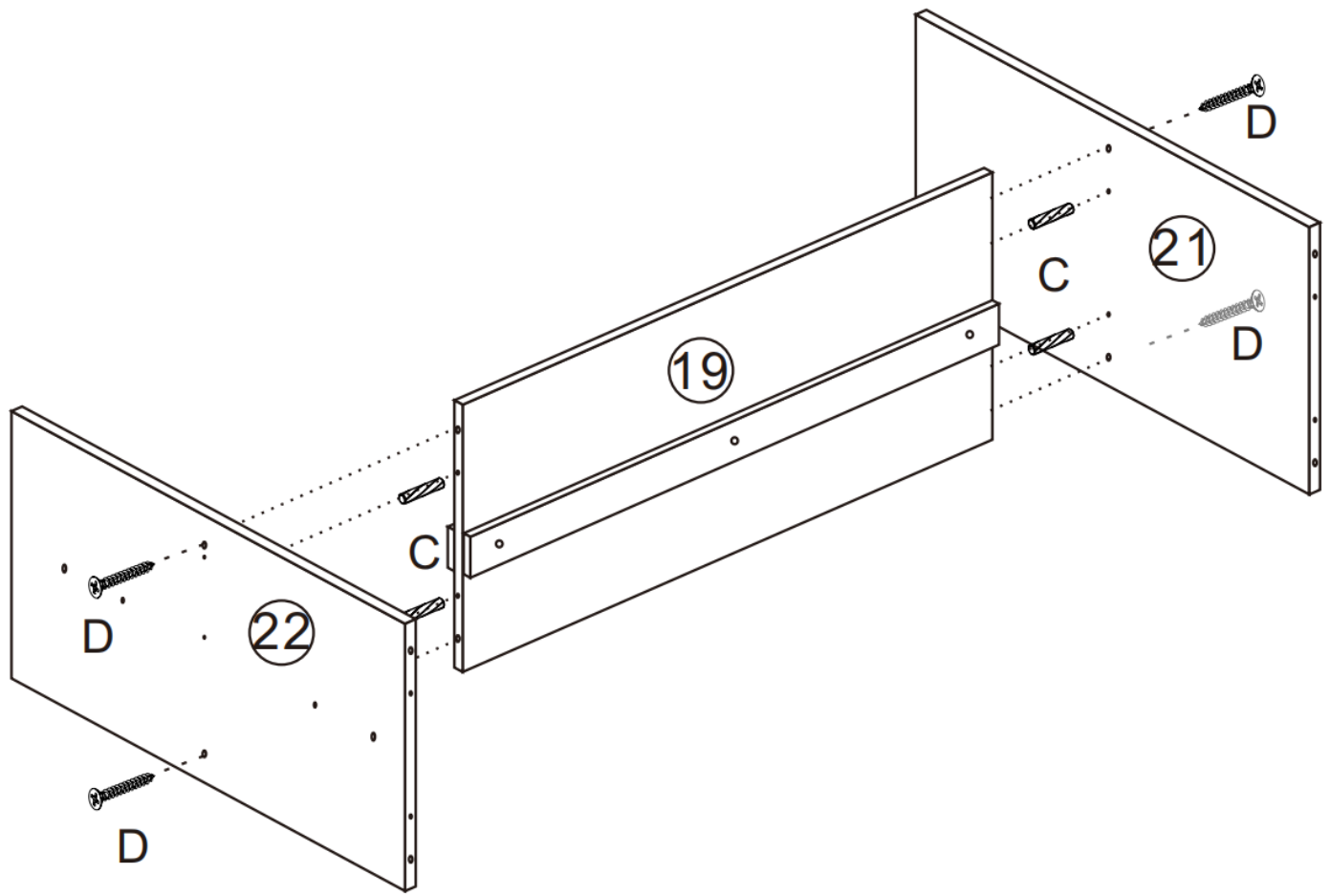
H 4X20mm



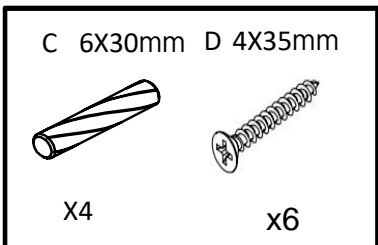
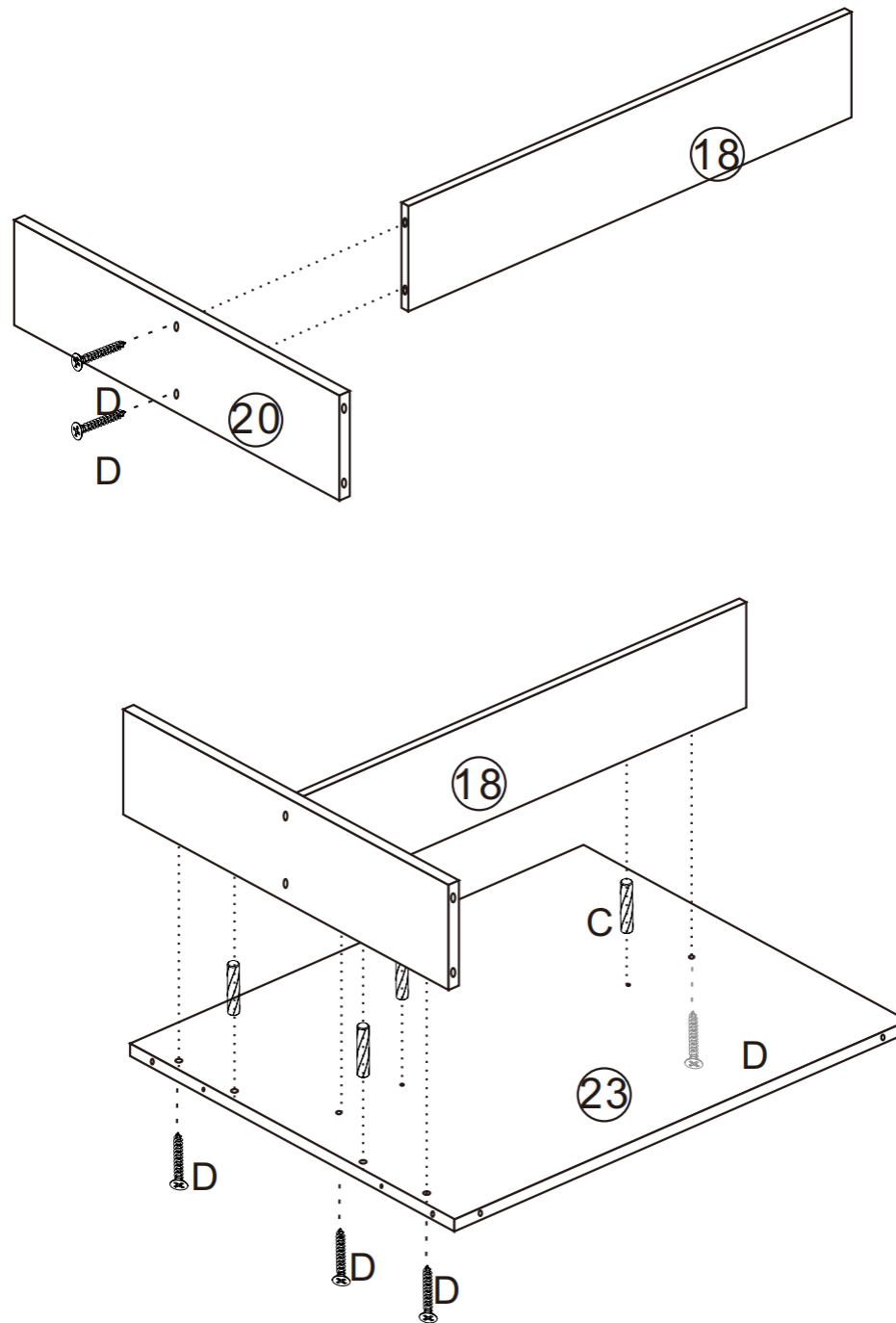
X6



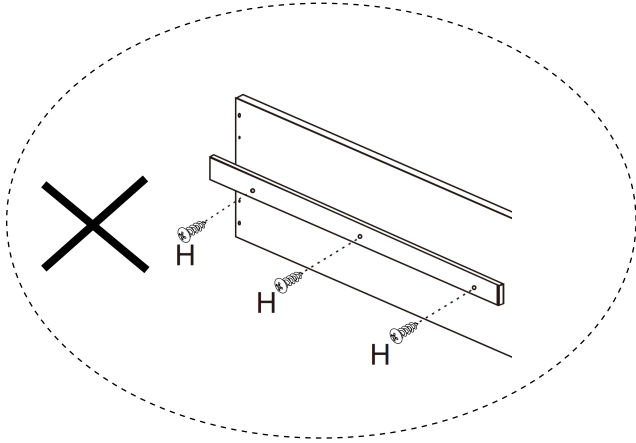
### STEP 3

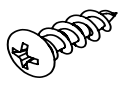


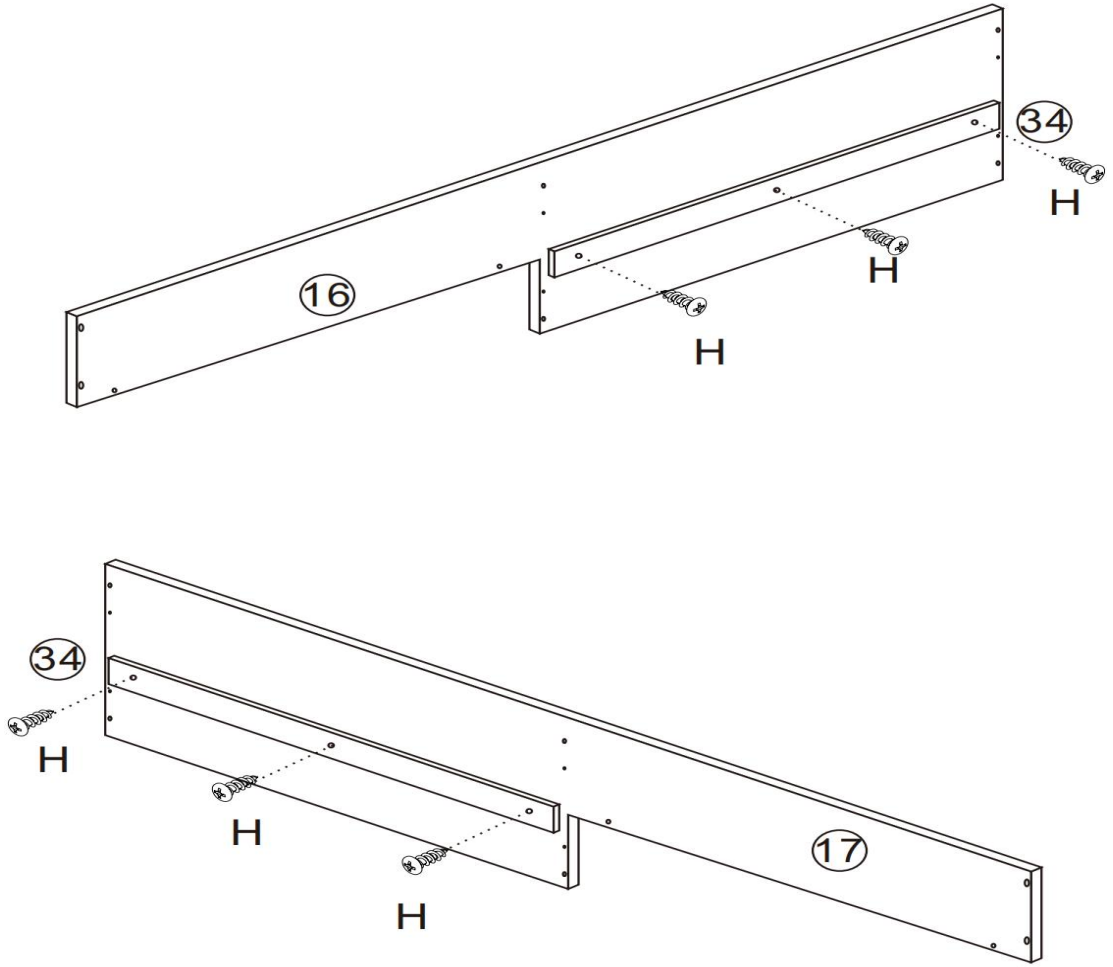
### STEP 4



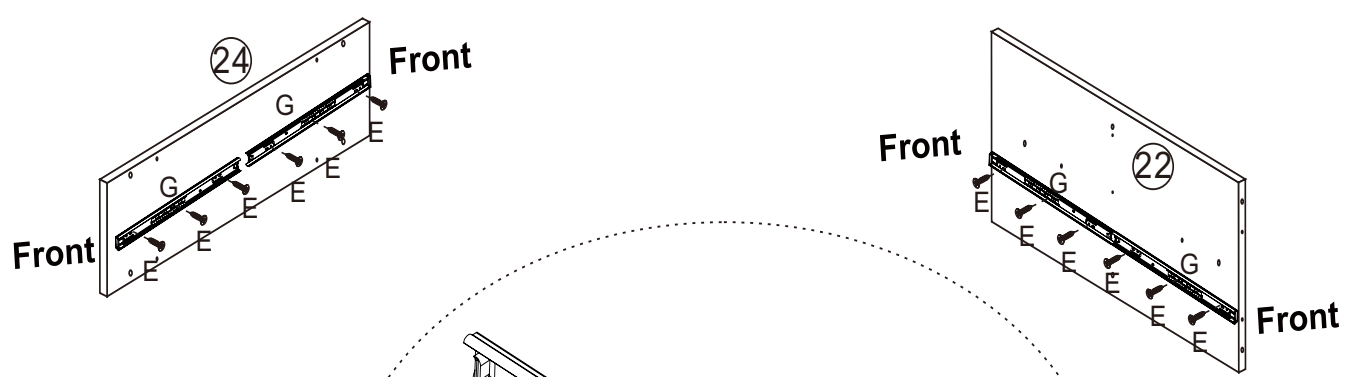
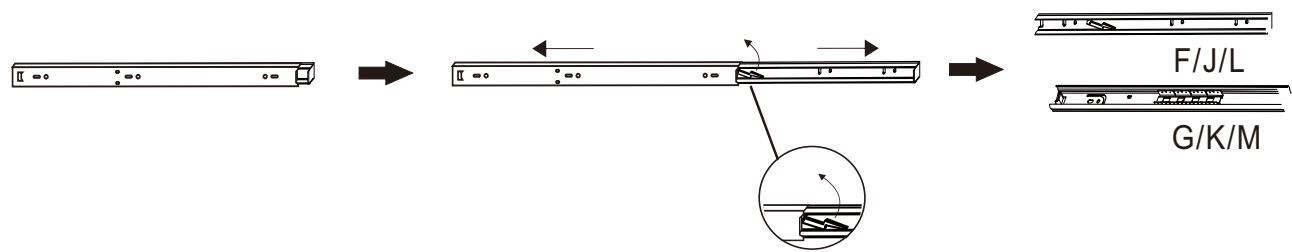
# STEP 5





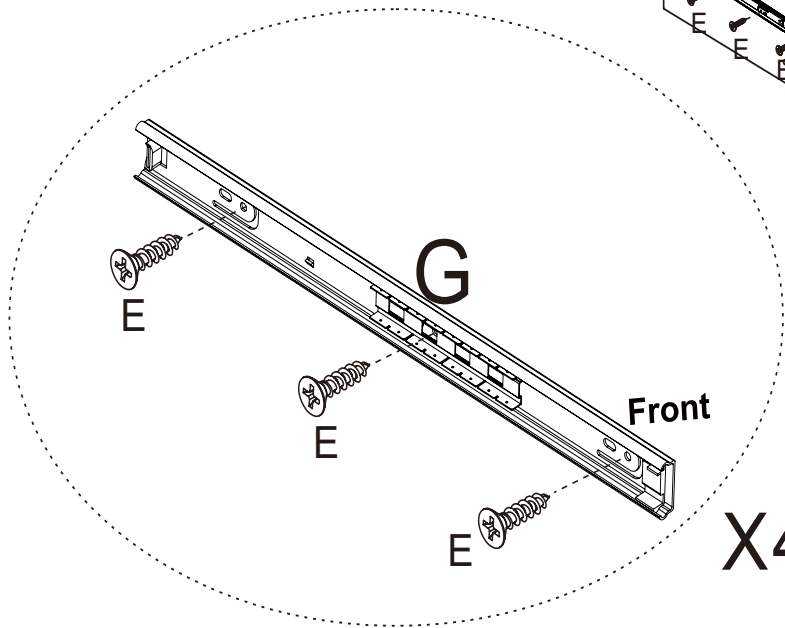
H 4X20mm  
  
 x6



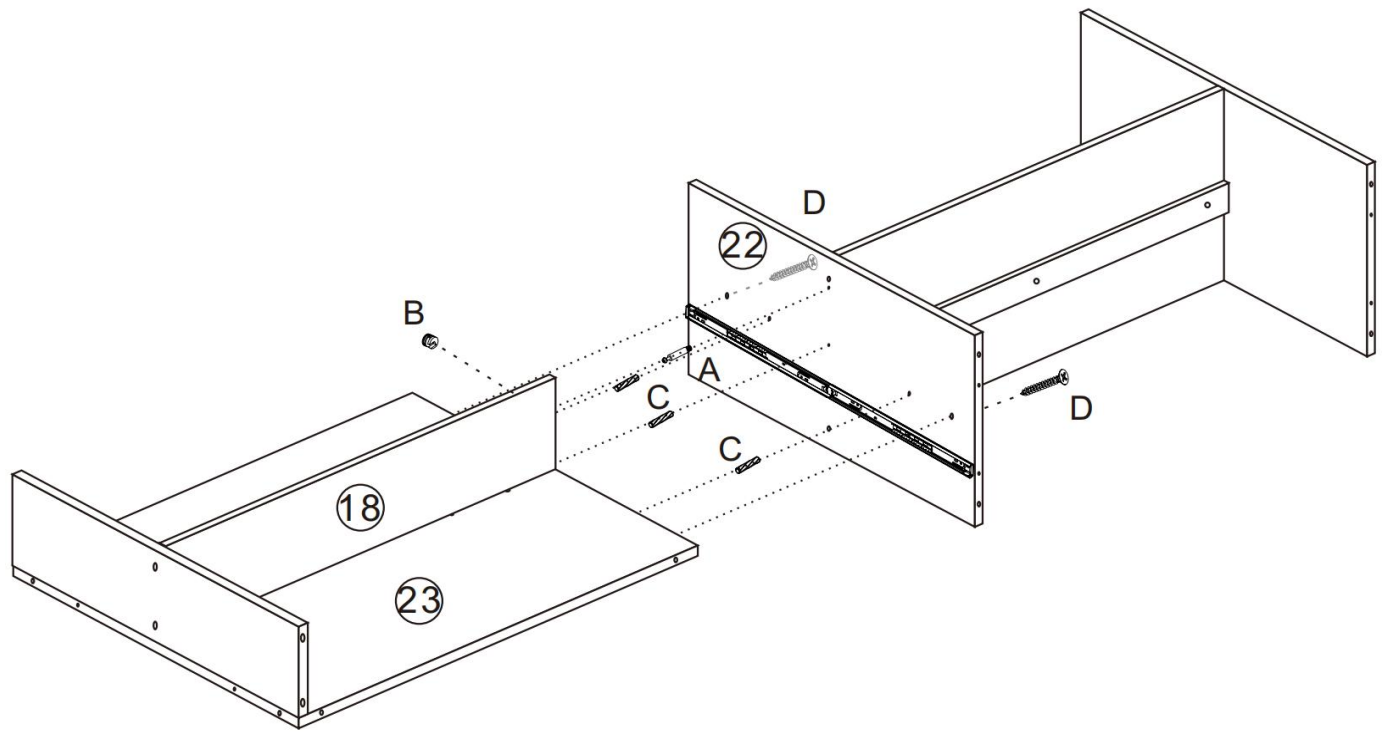
# STEP 6







E 3.5X12mm G 250mm  
  
 X12  
  
 X4

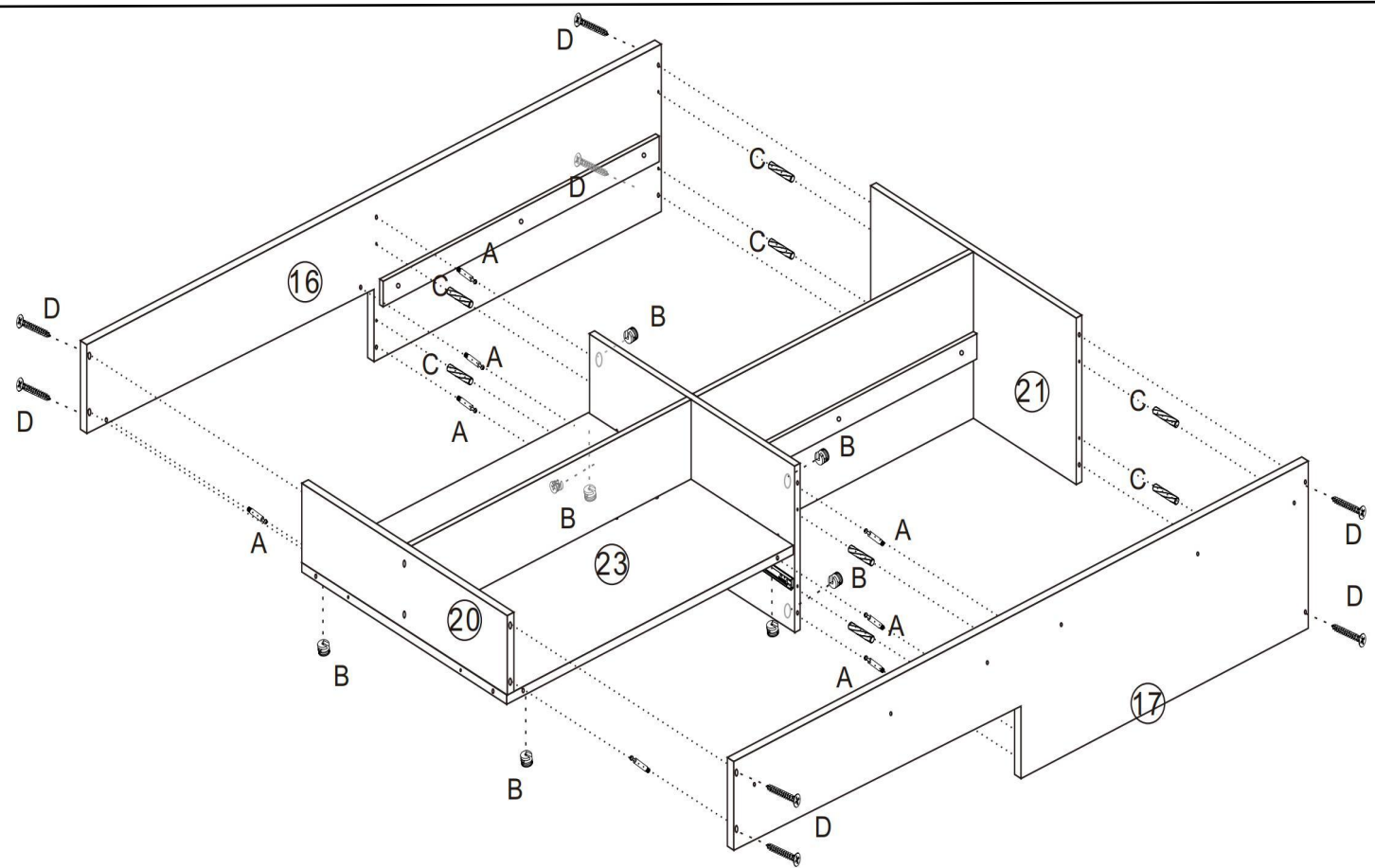




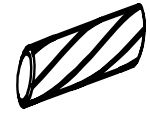

# STEP 7



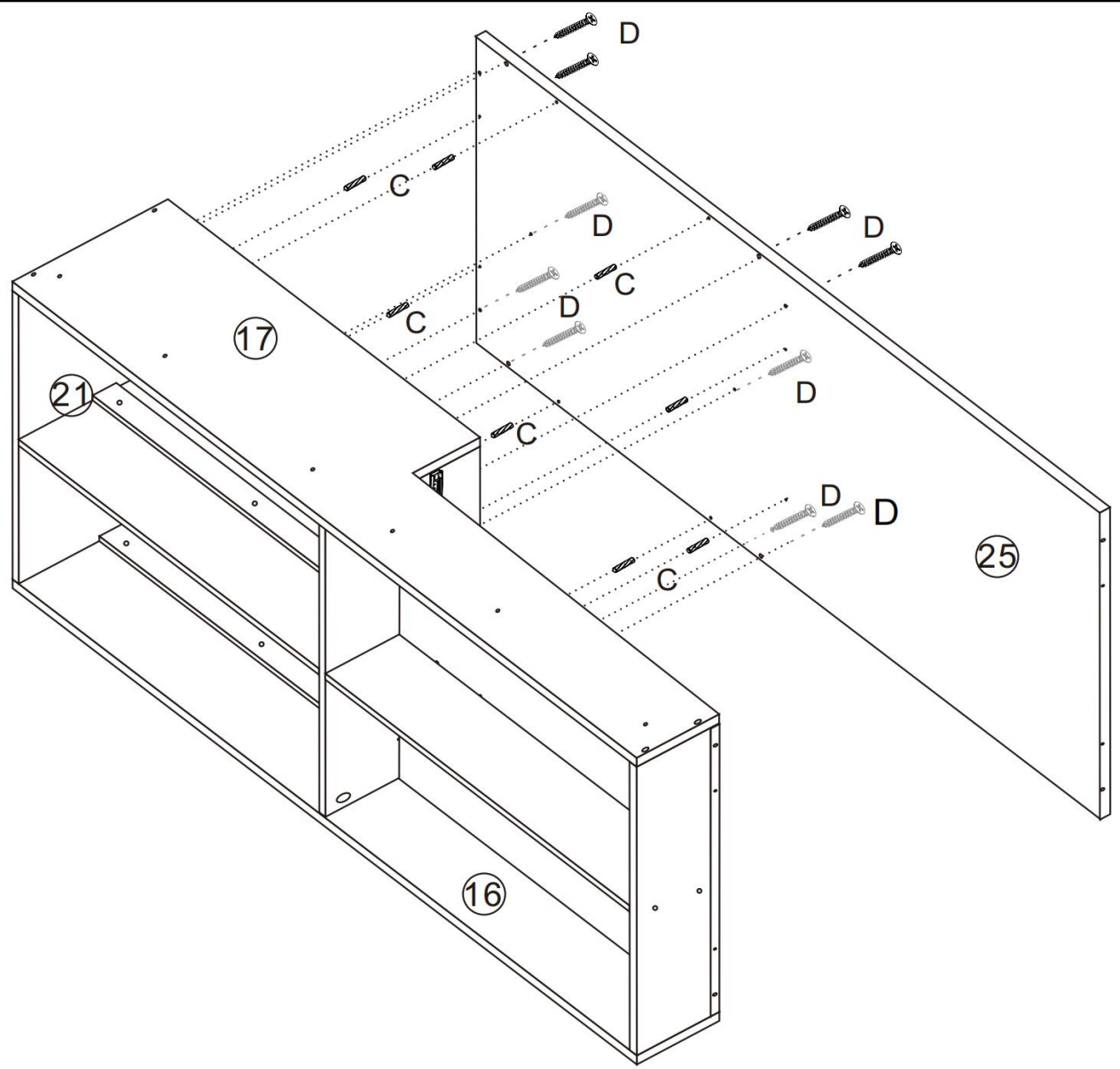
A 6X35mm	B 15X10mm	C 6X30mm	D 4X35 mm
			
X1	X1	X3	X2



# STEP 8



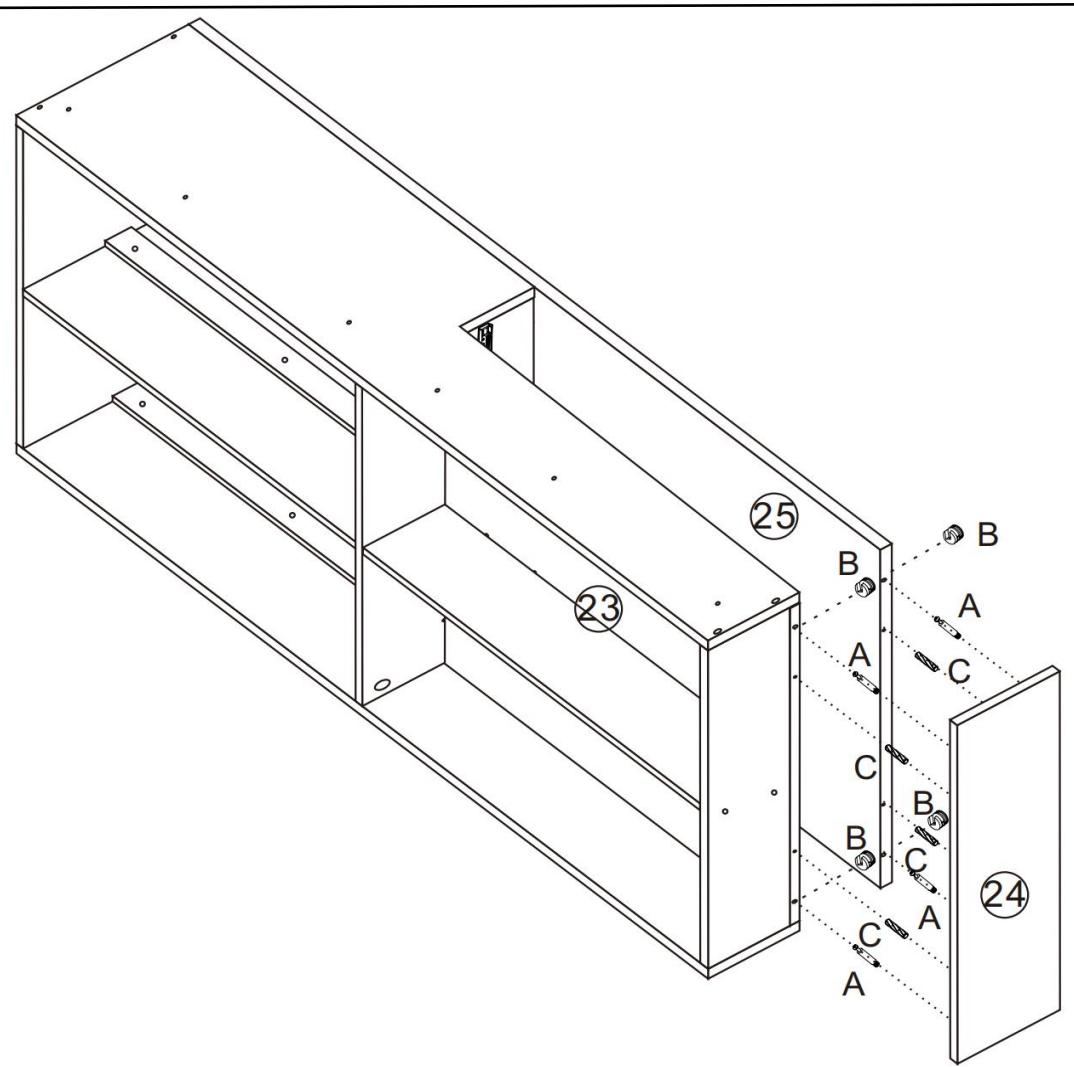
A 6X35mm	B 15X10mm	C 6X30mm	D 4X35mm
			
X 8	X 8	X8	X8




# STEP 9



C 6X30mm	D 4X35mm
	
X8	X10

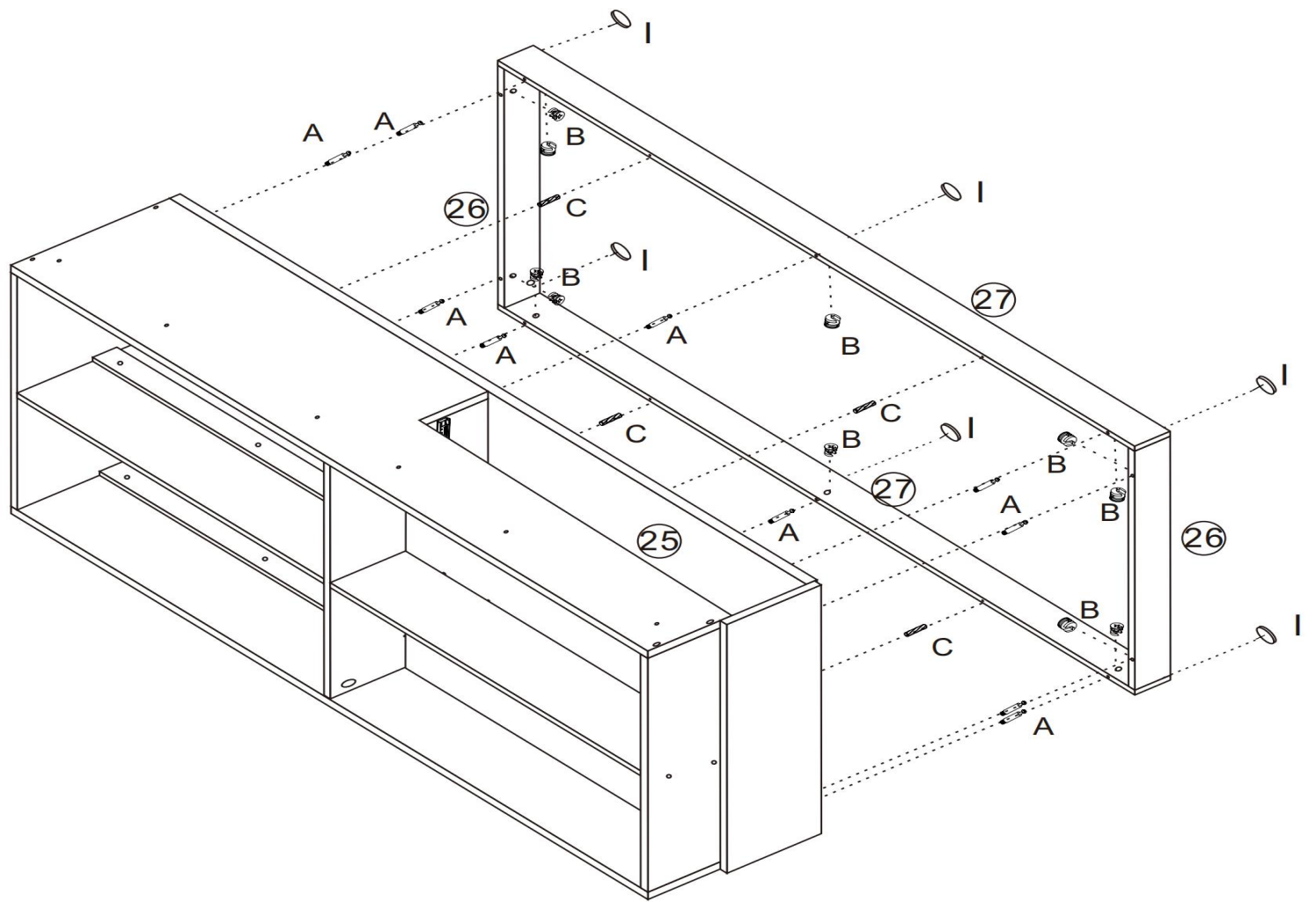
# STEP 10







A 6X35mm	B 15X10mm	C 6X30mm
		
X4	X4	X4

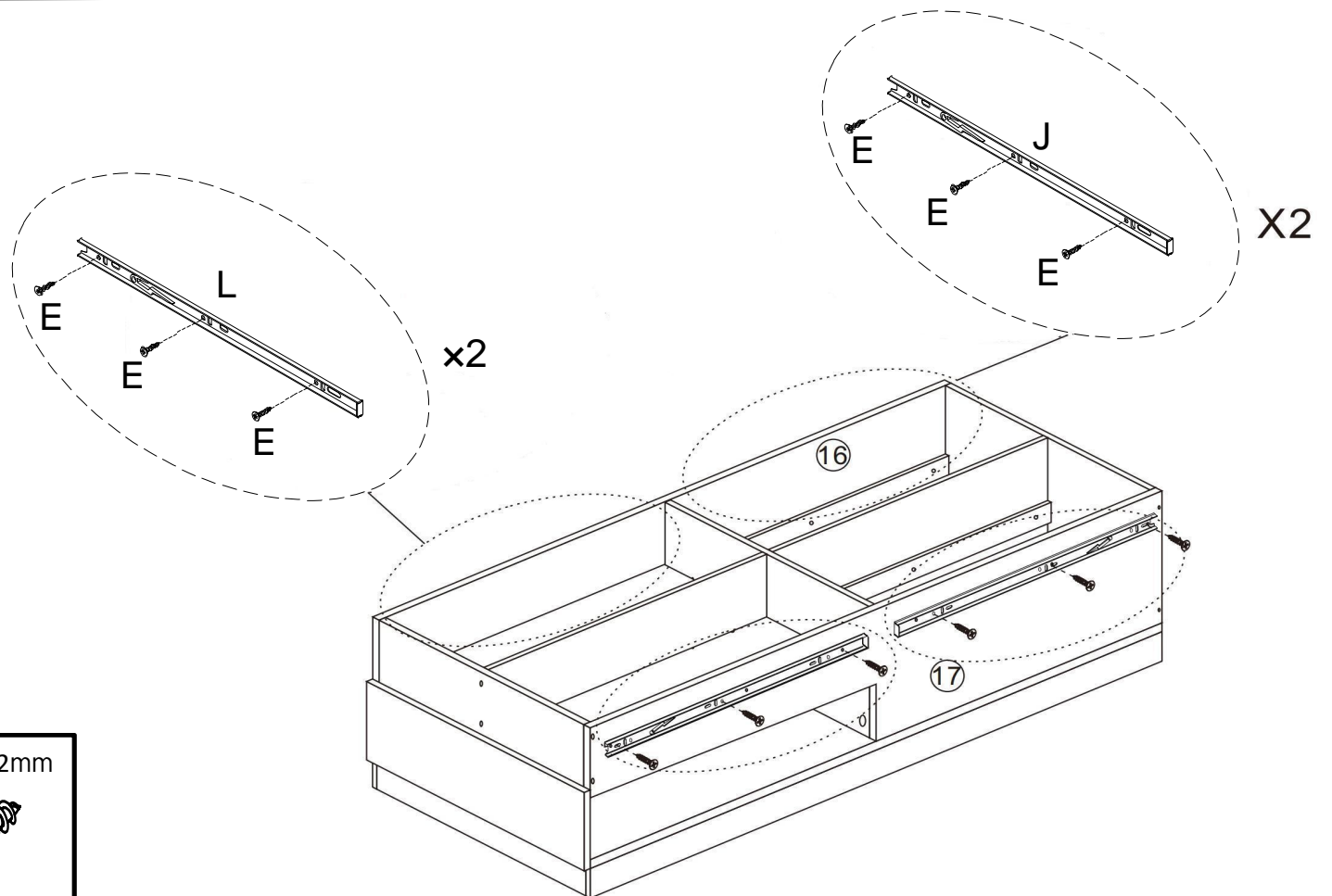





# STEP 11



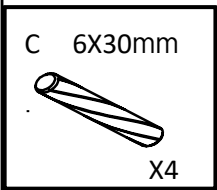
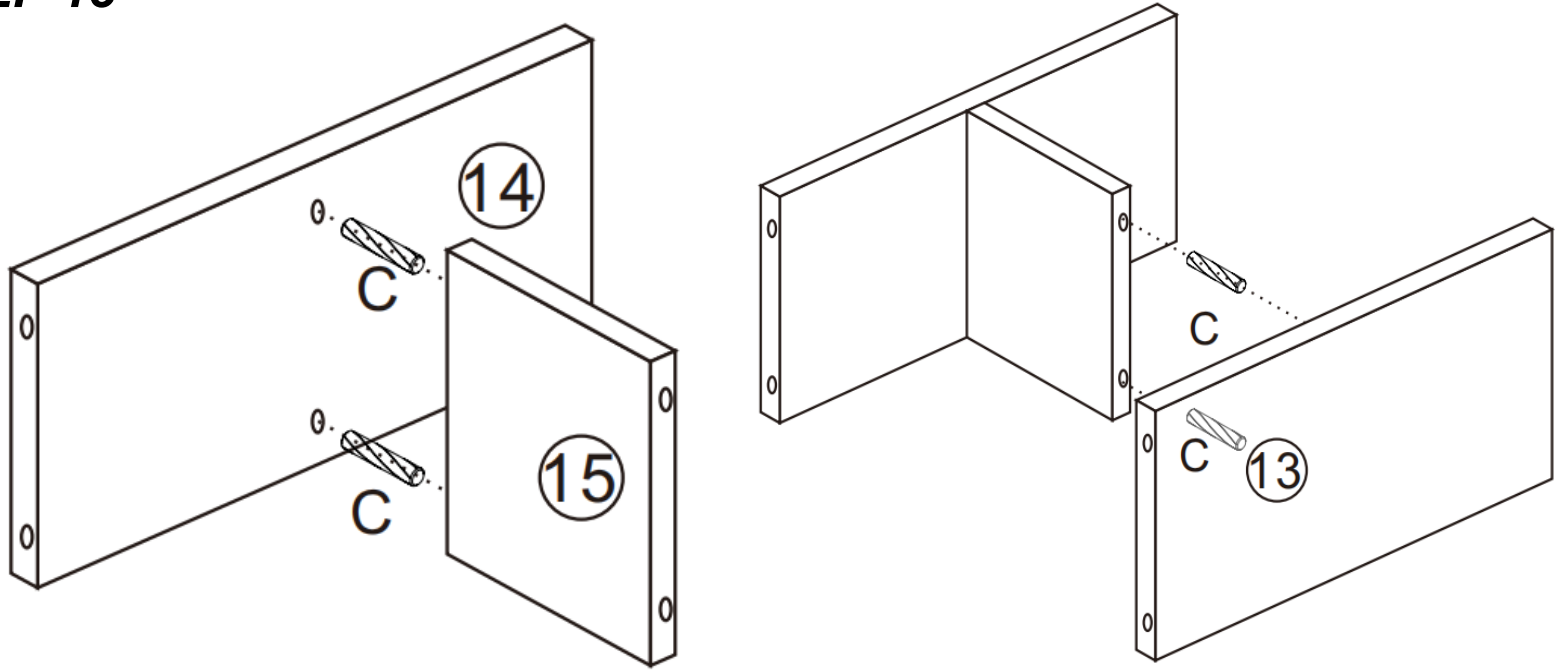
- |  |   |   |   |
|--|---|---|---|
| A 6X35mm   | B 15X10mm   | C 6X30mm  | I   |
|  |  |  |  |
| x10  | x10   | x4  | x6  |

# STEP 12

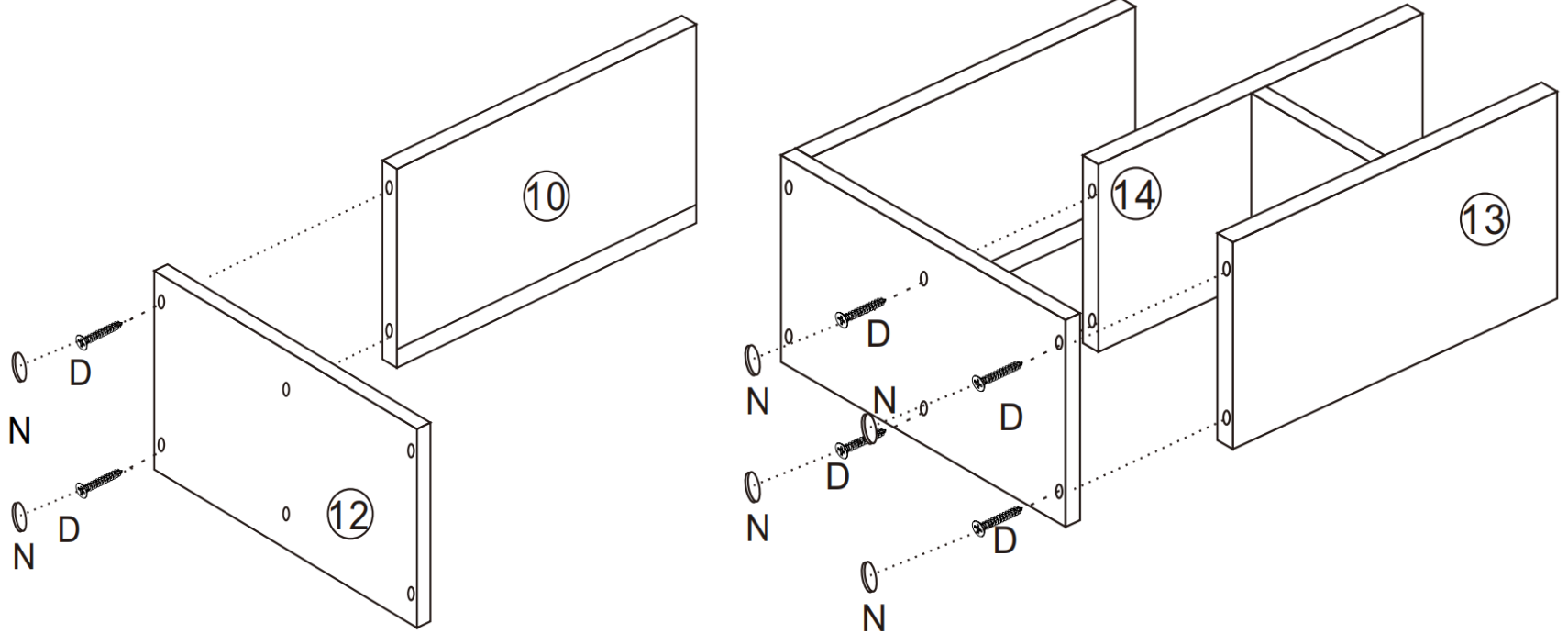


- |  |   |   |
|--|---|---|
| L 400mm  | J 550mm   | E 3.5X12mm  |
|  |  |  |
| x2   | x2  | x12   |

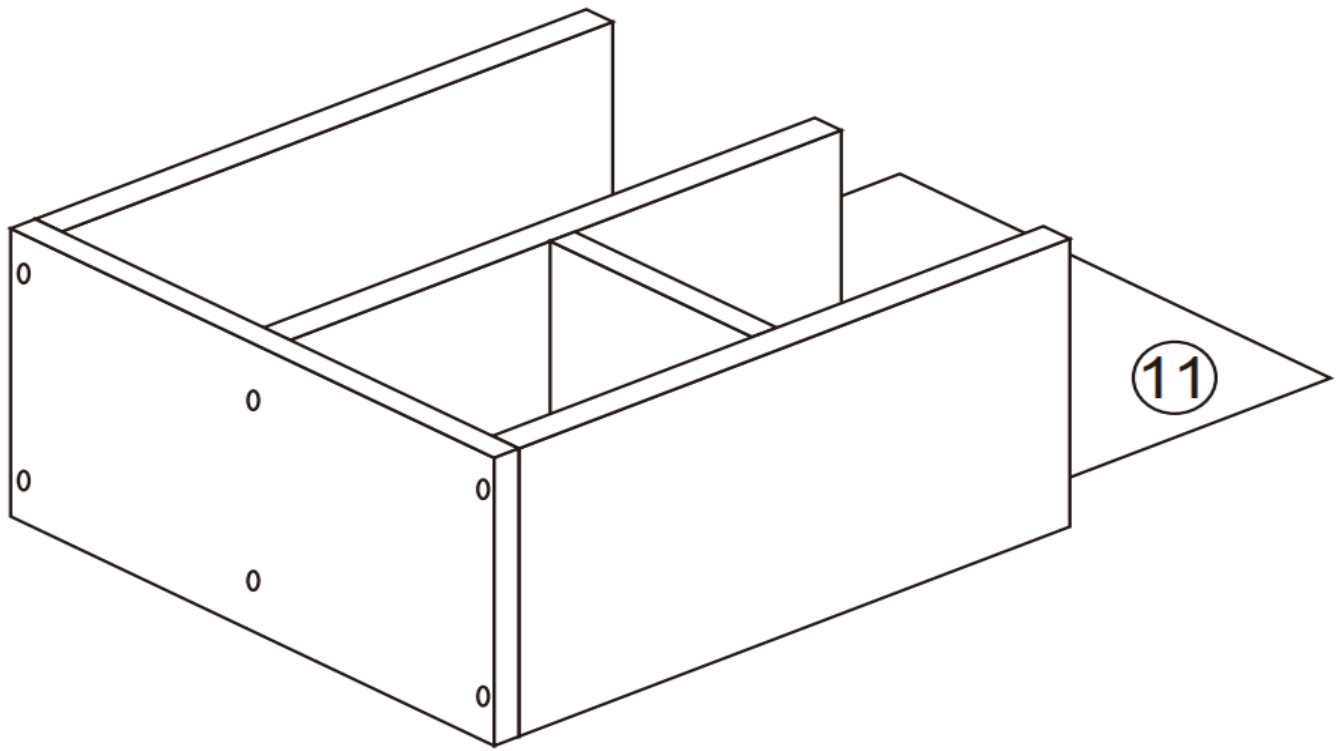
### STEP 13



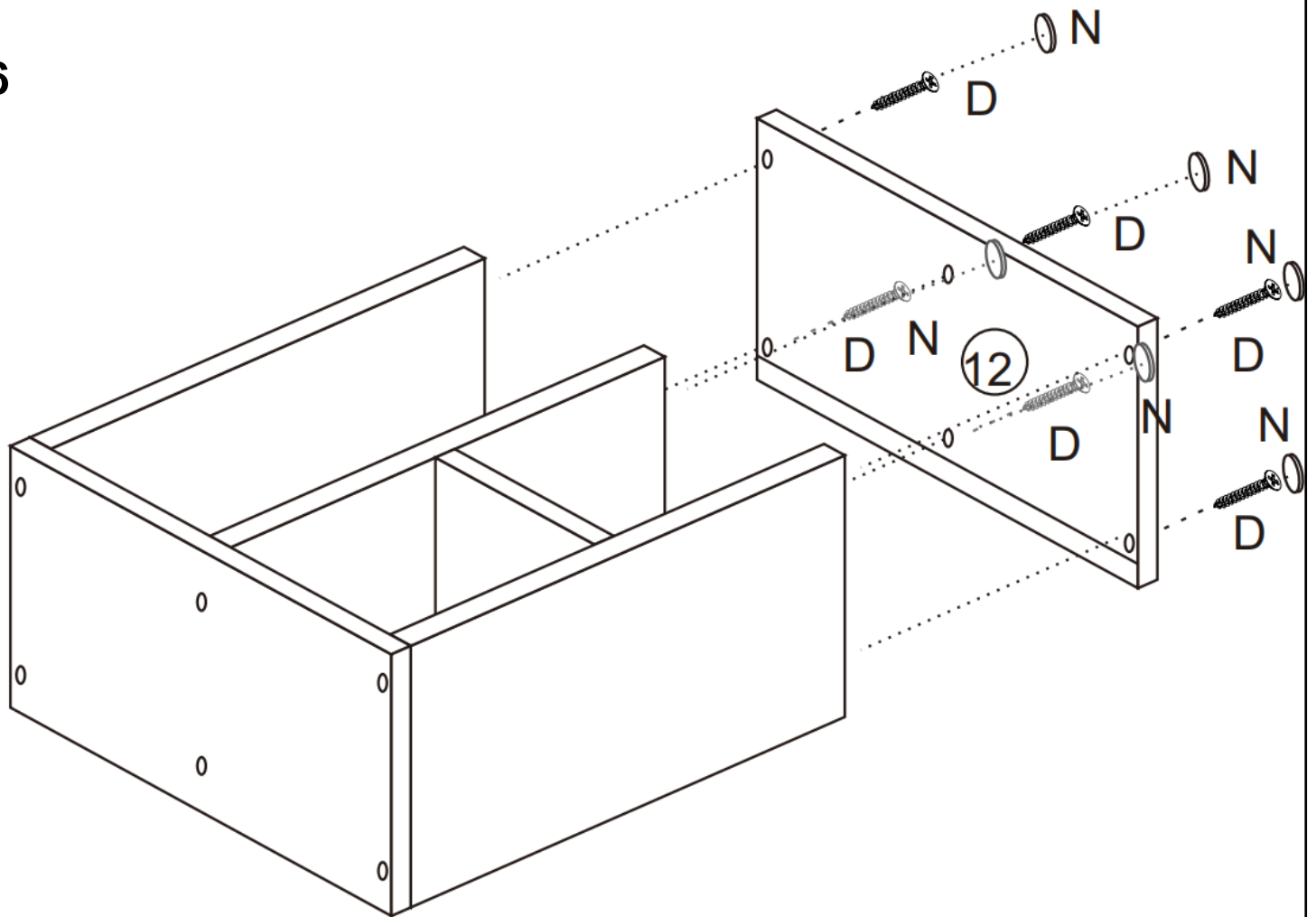
### STEP 14





# STEP 15

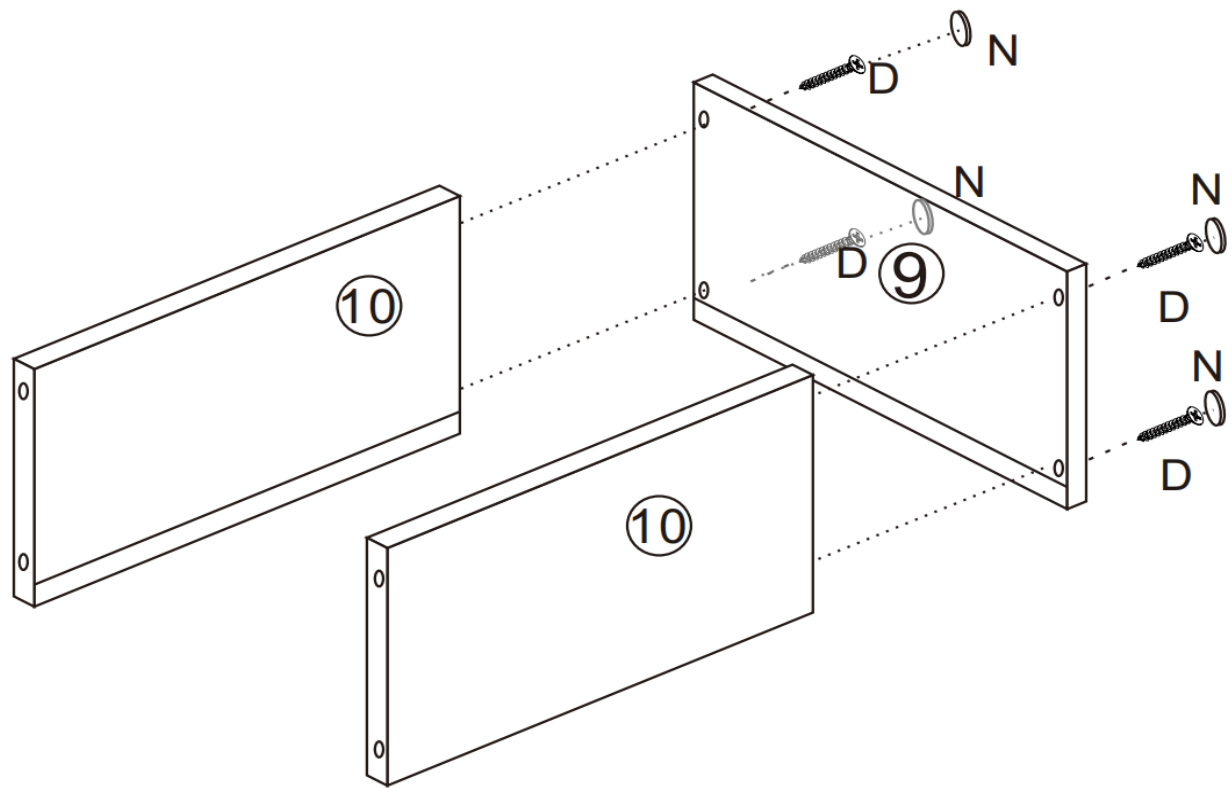




# STEP 16



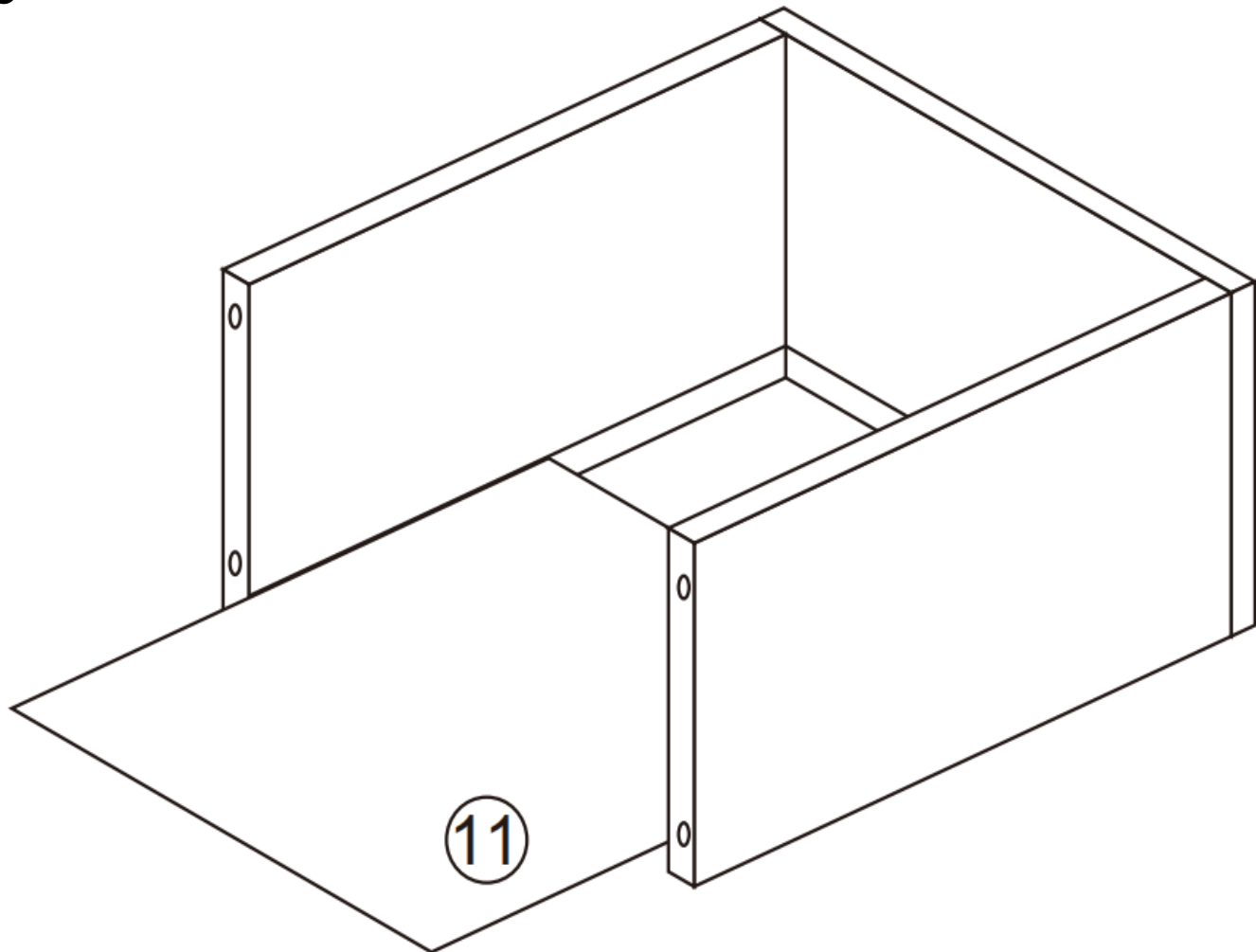
D 4X35mm	N ∅ 20mm
	
x6	x6

# STEP 17

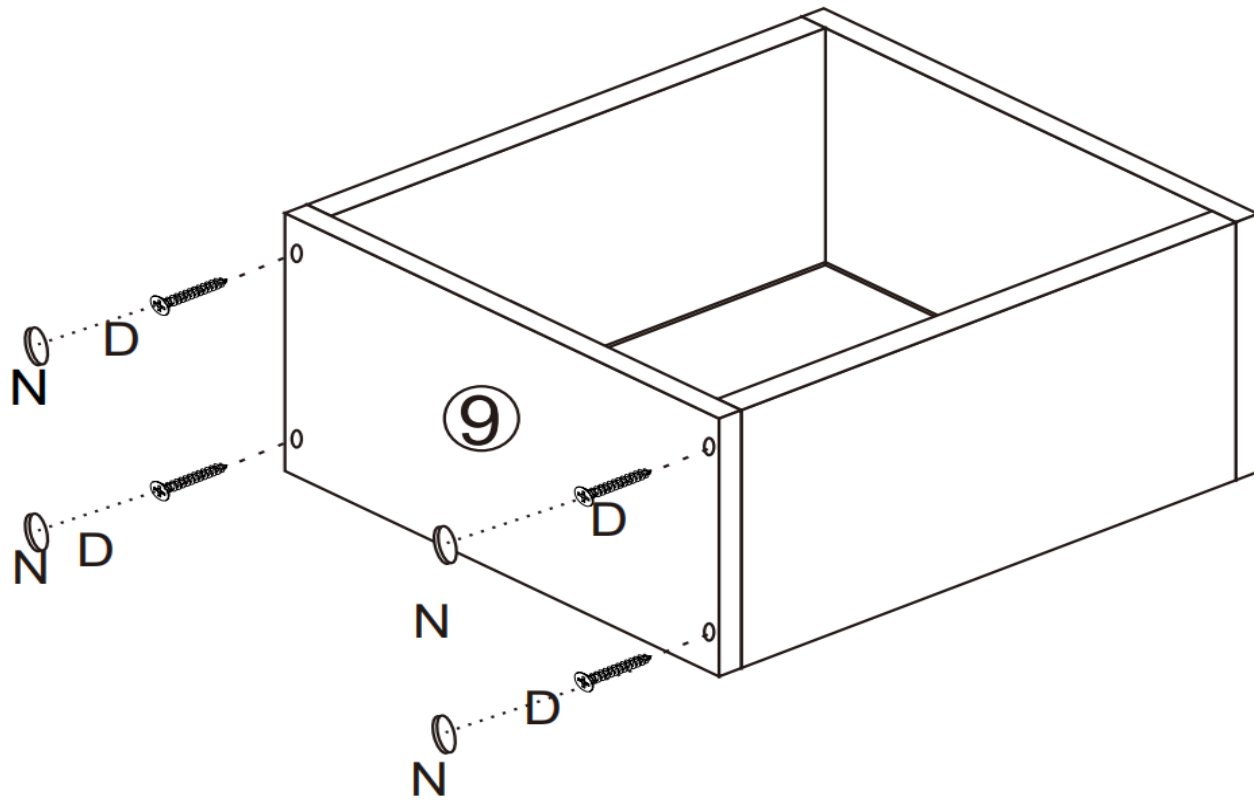


D 4X35mm	N $\varnothing$ 20
	
X4	X4

# STEP 18



# STEP 19



D 4X35mm Nø20mm

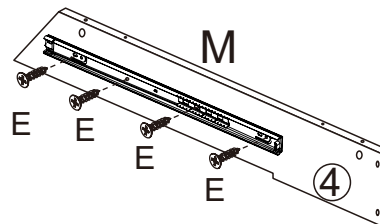
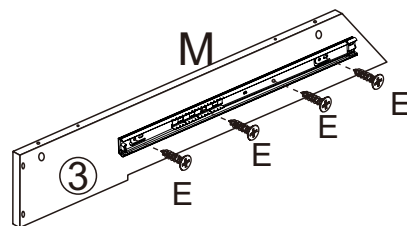
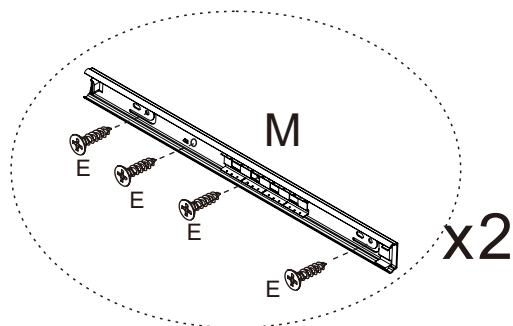


X4



X4

# STEP 20



M 400mm E 3.5X12mm

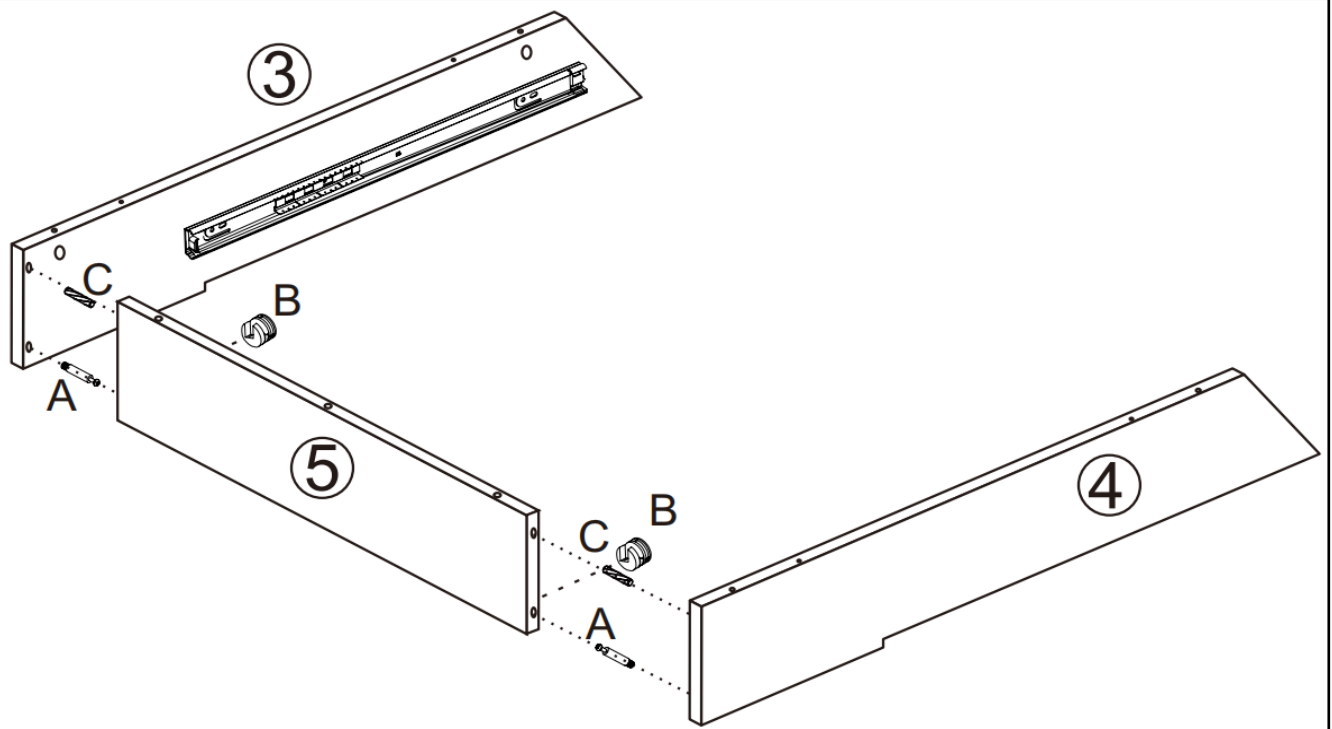





X2



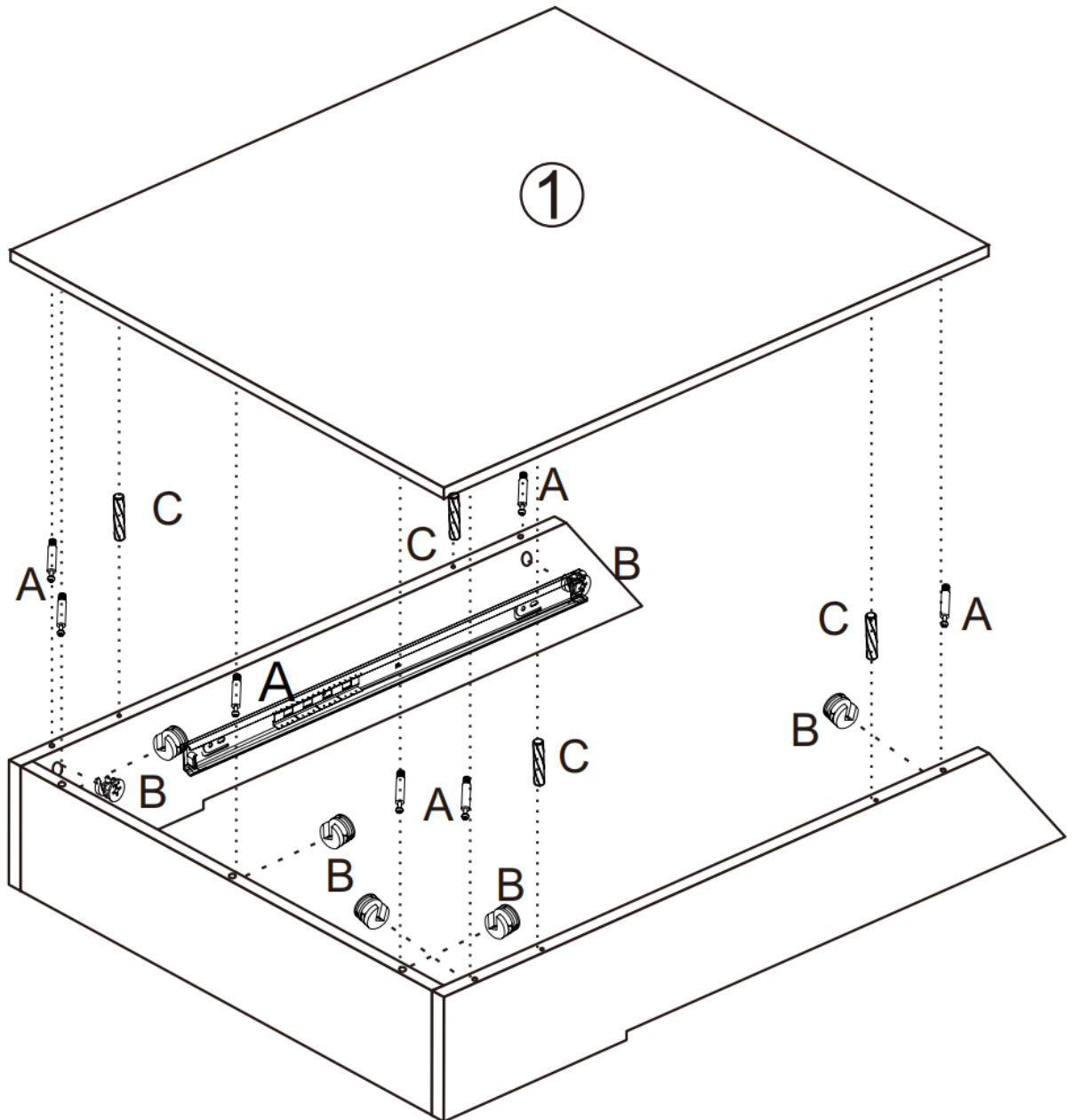
X8




# STEP 21



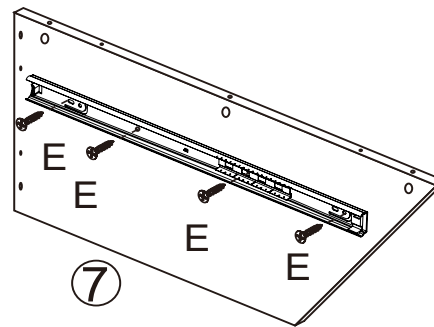
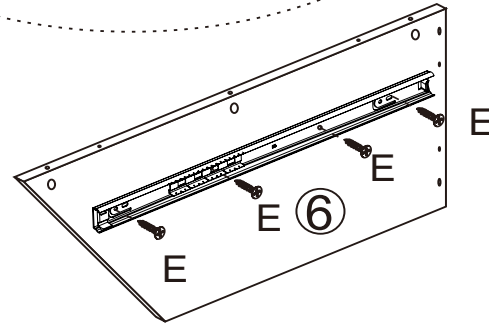
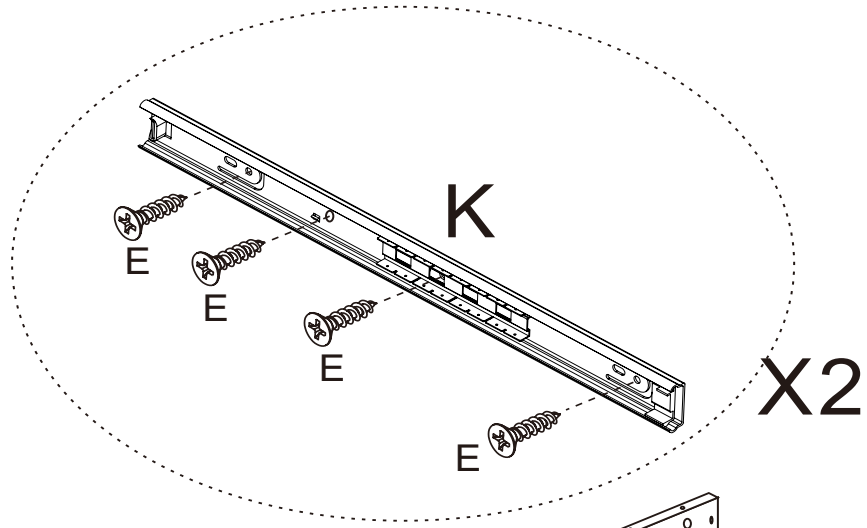
- |  |   |   |
|--|---|---|
| A 6X35   | B 15X10mm   | C 6X30mm  |
|  |  |  |
| X2   | X2  | X2  |

# STEP 22



- |  |   |   |
|--|---|---|
| A 6X35 mm  | B 15X10mm   | C 6X30mm  |
|  |  |  |
| x7   | x7  | x4  |

# STEP 23



K 550mm E 3.5\*12mm

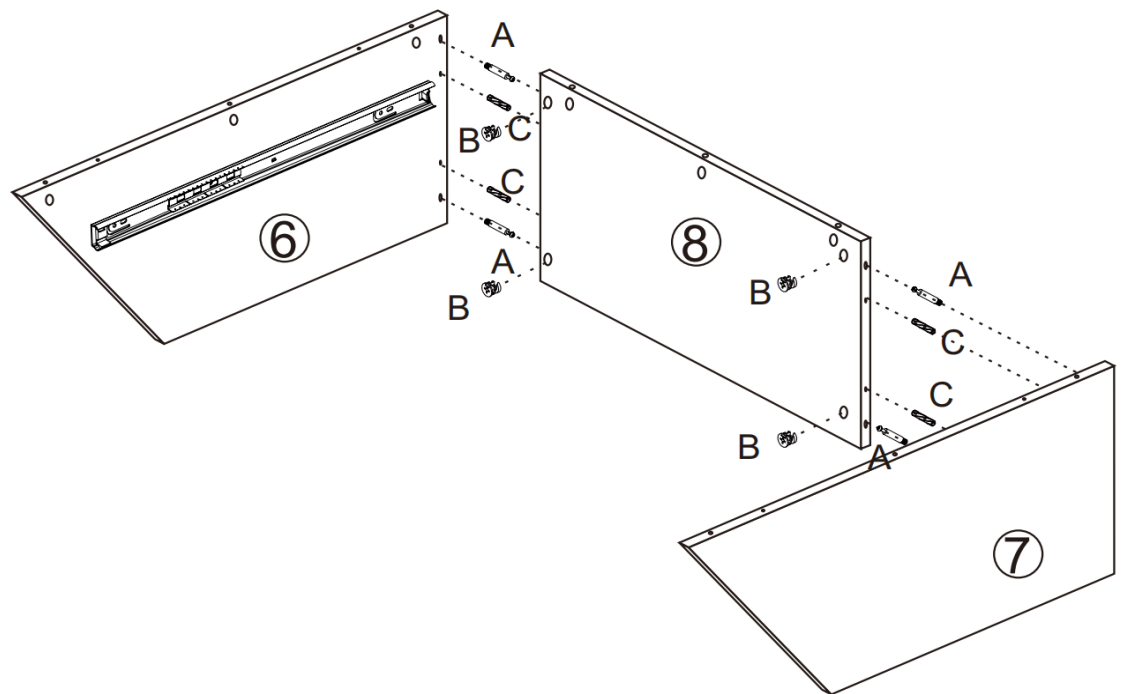


X2



X8

# STEP 24



A 6X35mm B 15X10mm C 6X30mm



X4

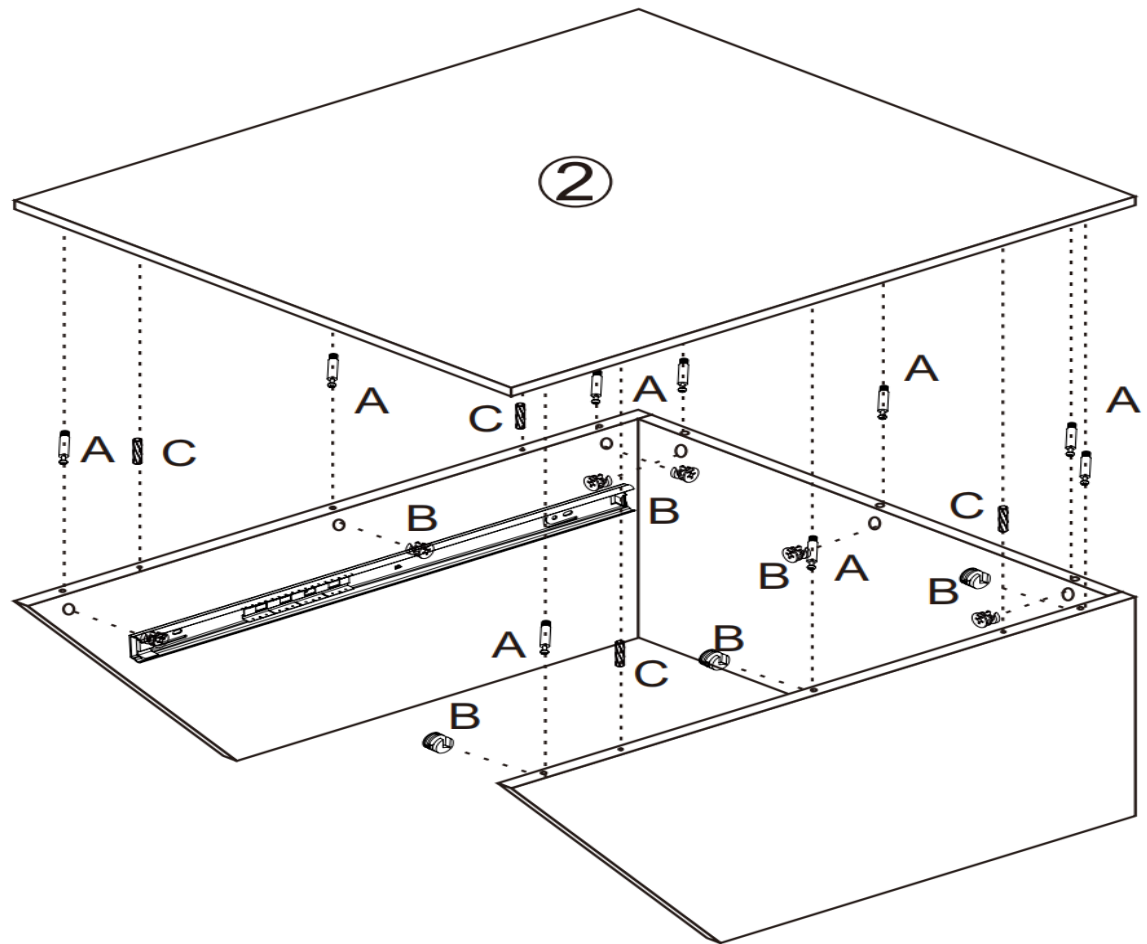





X4



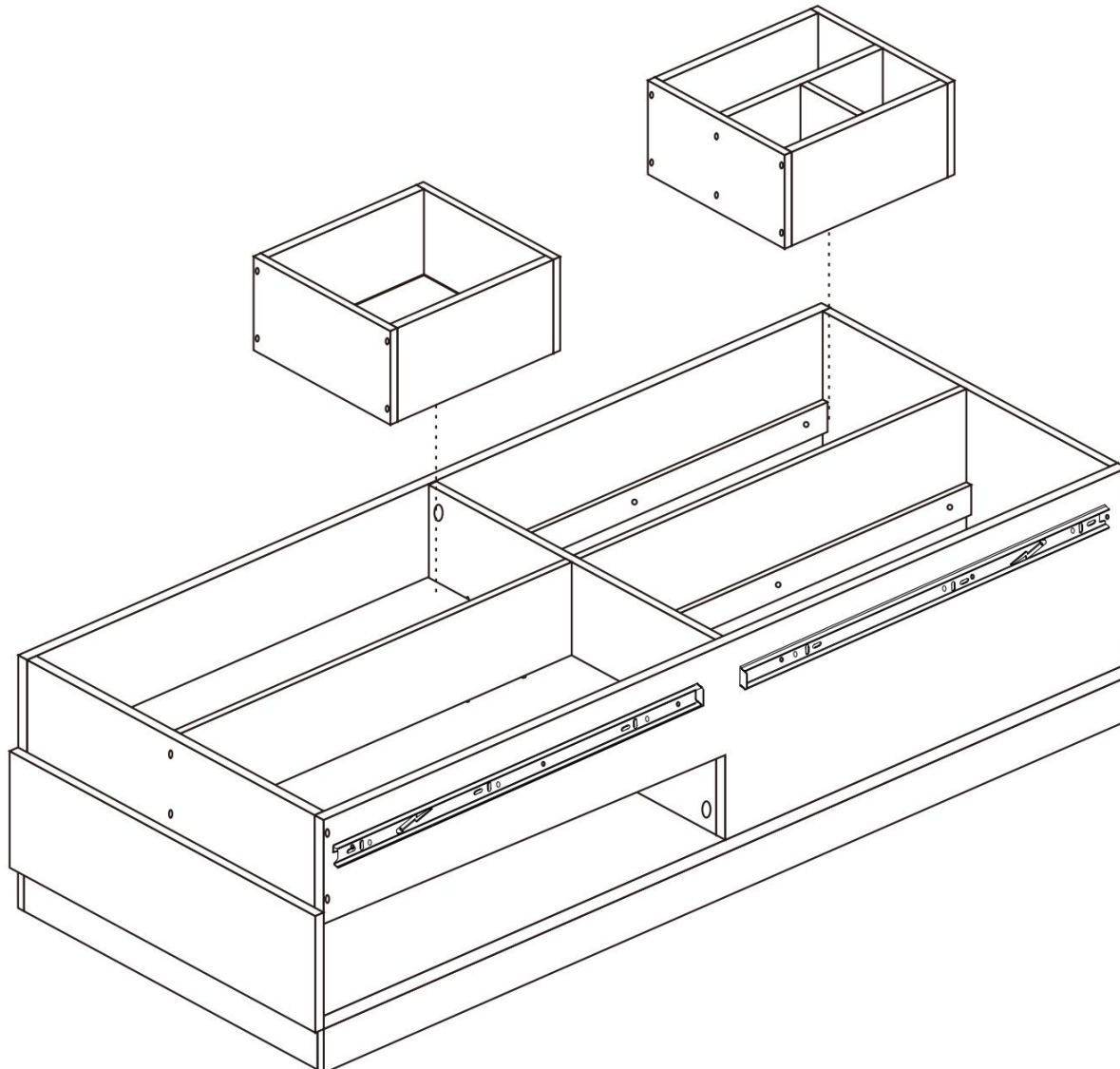
X4

# STEP 25



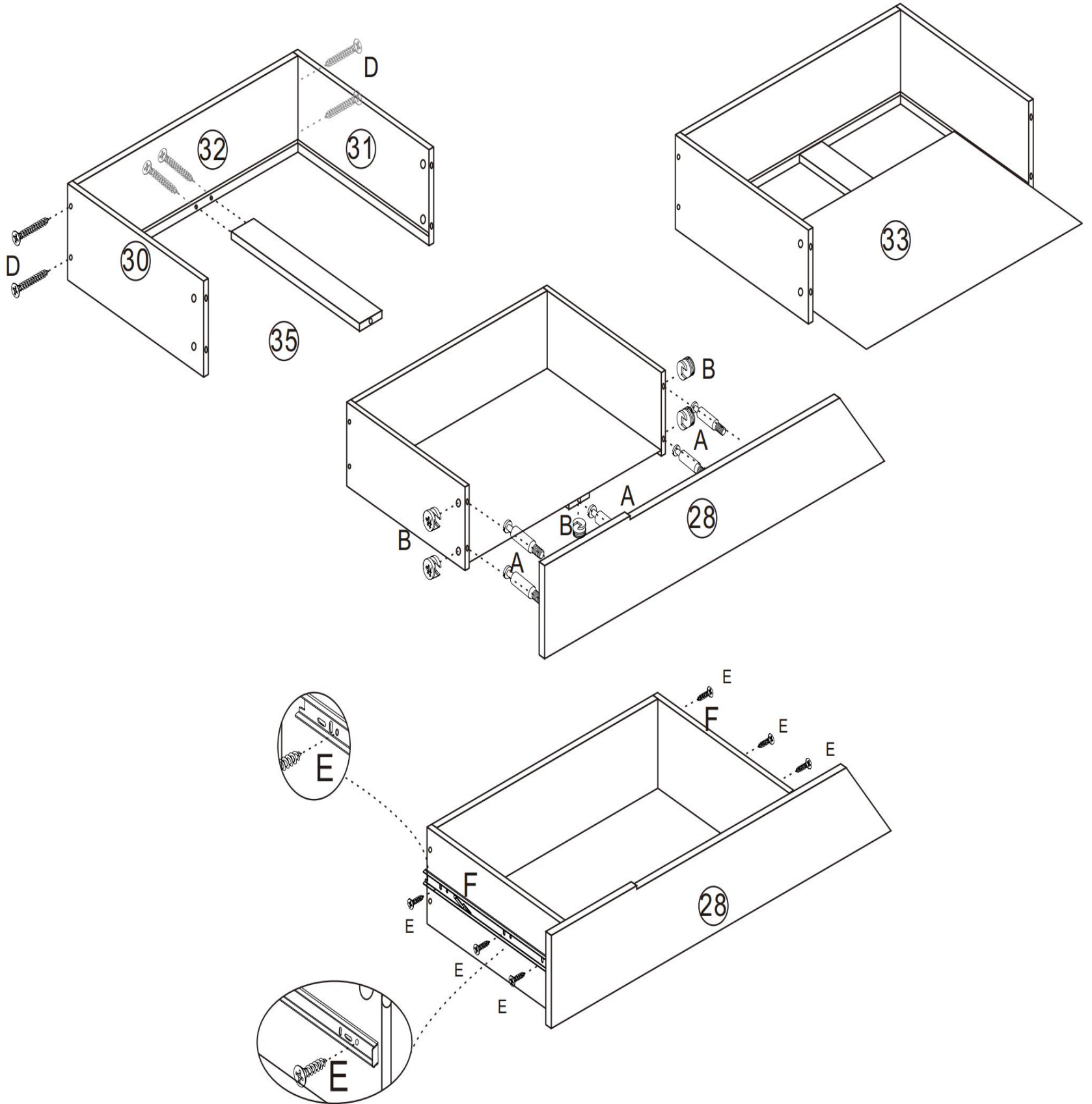
A 6X35mm	B 15X10mm	C 6X30mm
		
x9	x9	x4






# STEP 26



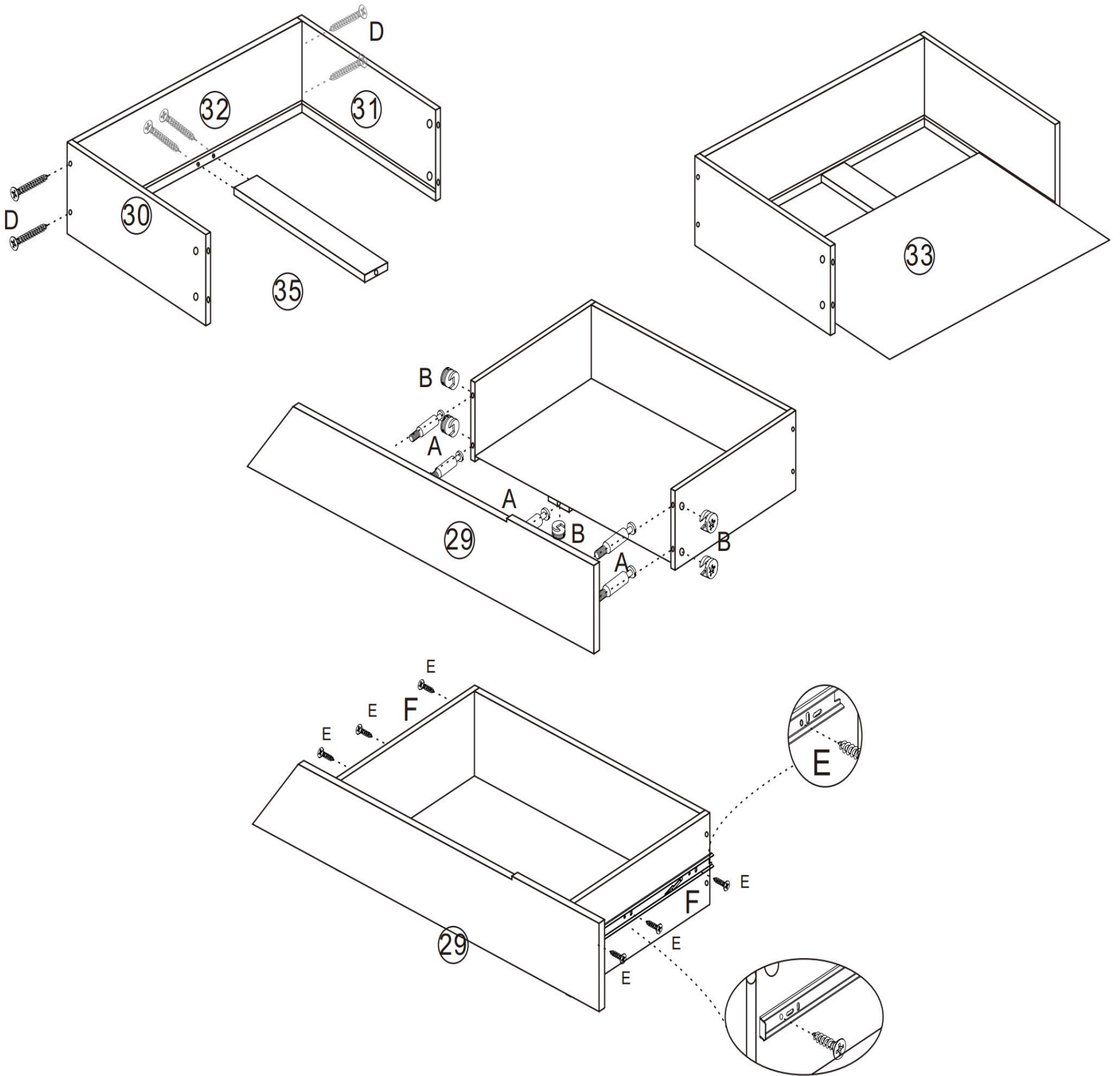


# STEP 27

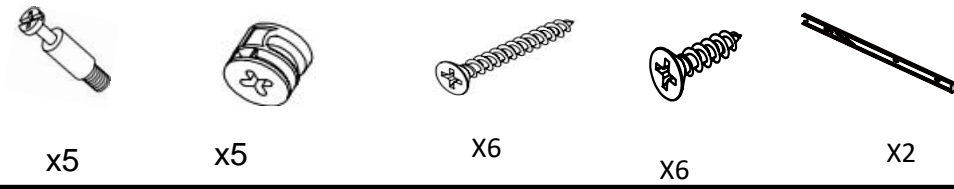


A 6X35mm	B 15X10mm	D 4X3mm	E 3.5X12mm	F 250mm
				
x5	x5	x6	x6	x2

# STEP 28



A 6X35mm    B 15X10mm    D 4X35mm    E 3.5X12mm    F 250mm



# STEP 29

