

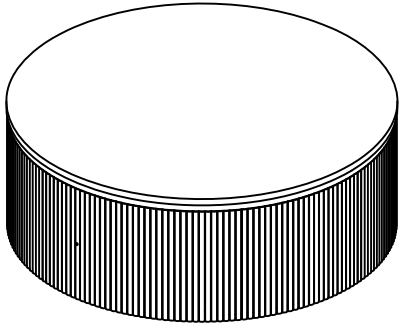
ASSEMBLY INSTRUCTION

COFFEE TABLE

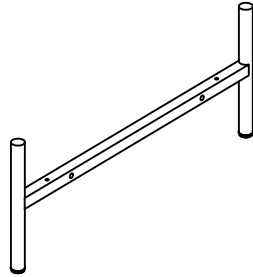
ATTENTION:

1. Check to ensure all parts and hardware are present.
2. We have provided Extra Hardware of B/C in case of any bolts missing in the boxes.
3. Do not fully tighten all bolts until all parts are in place. Failure to follow these instructions may cause the bolt to misalign during assembly.

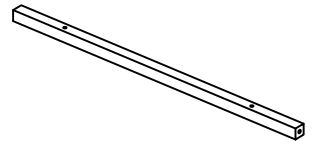
Part List



① x1PC



② x2PCS



③ x 2PCS

Hardware



M4
A x1PC



M6*40mm
B x4PCS



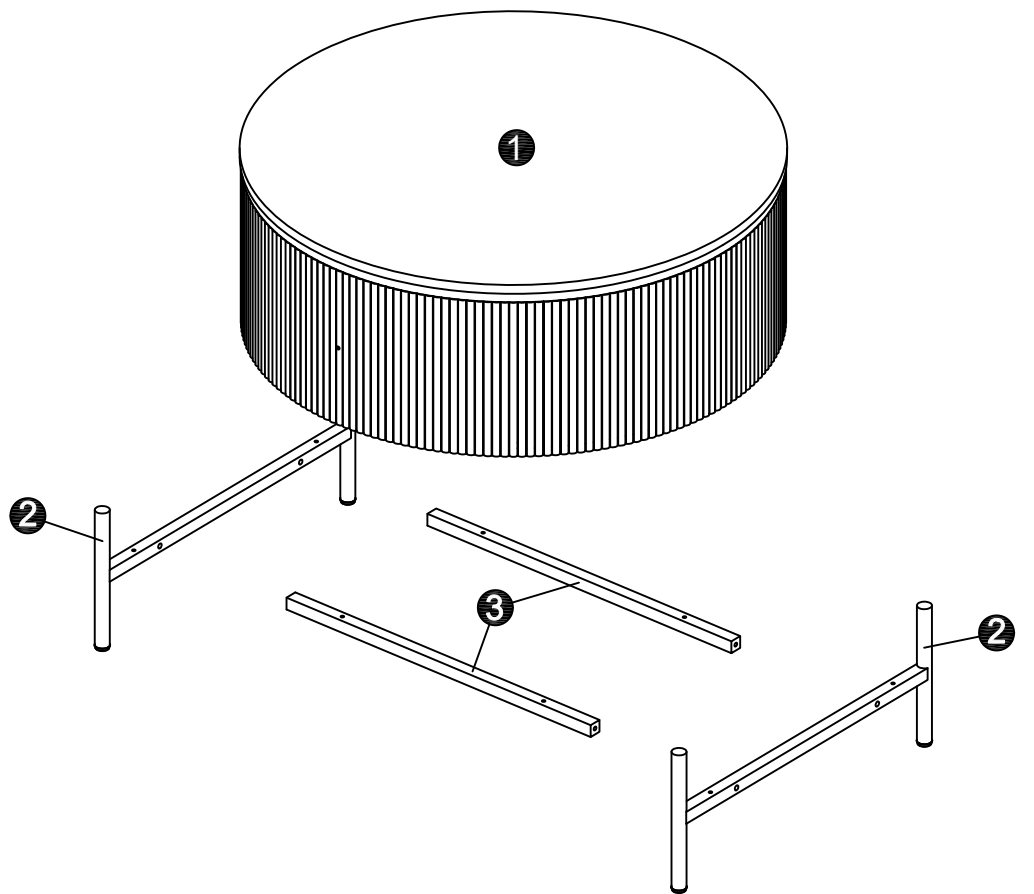
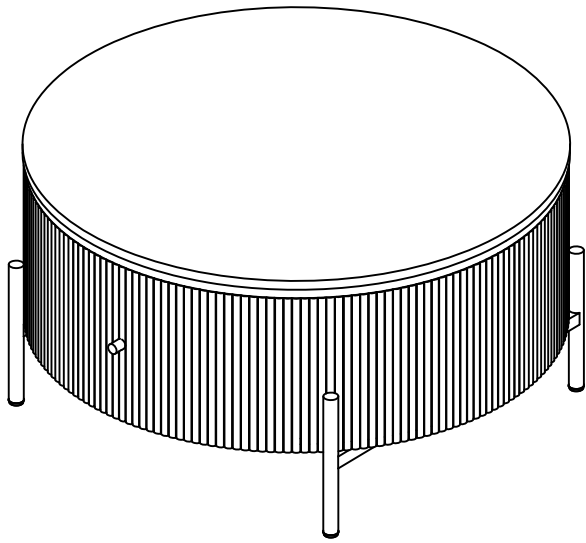
M4*35mm
C x 8PCS



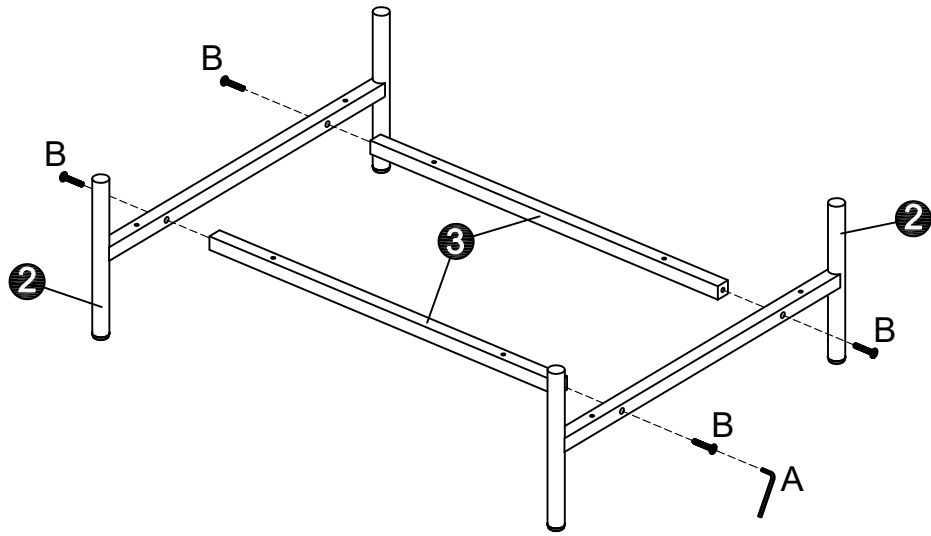
D x2PCS



M4*25mm
E x2PCS

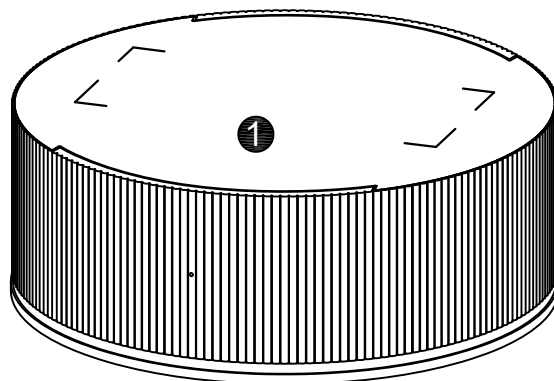
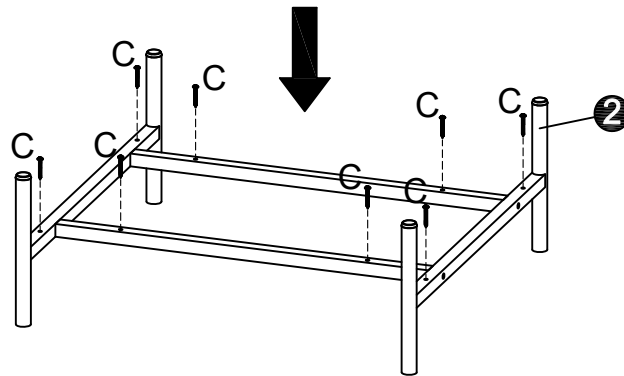


Step 1



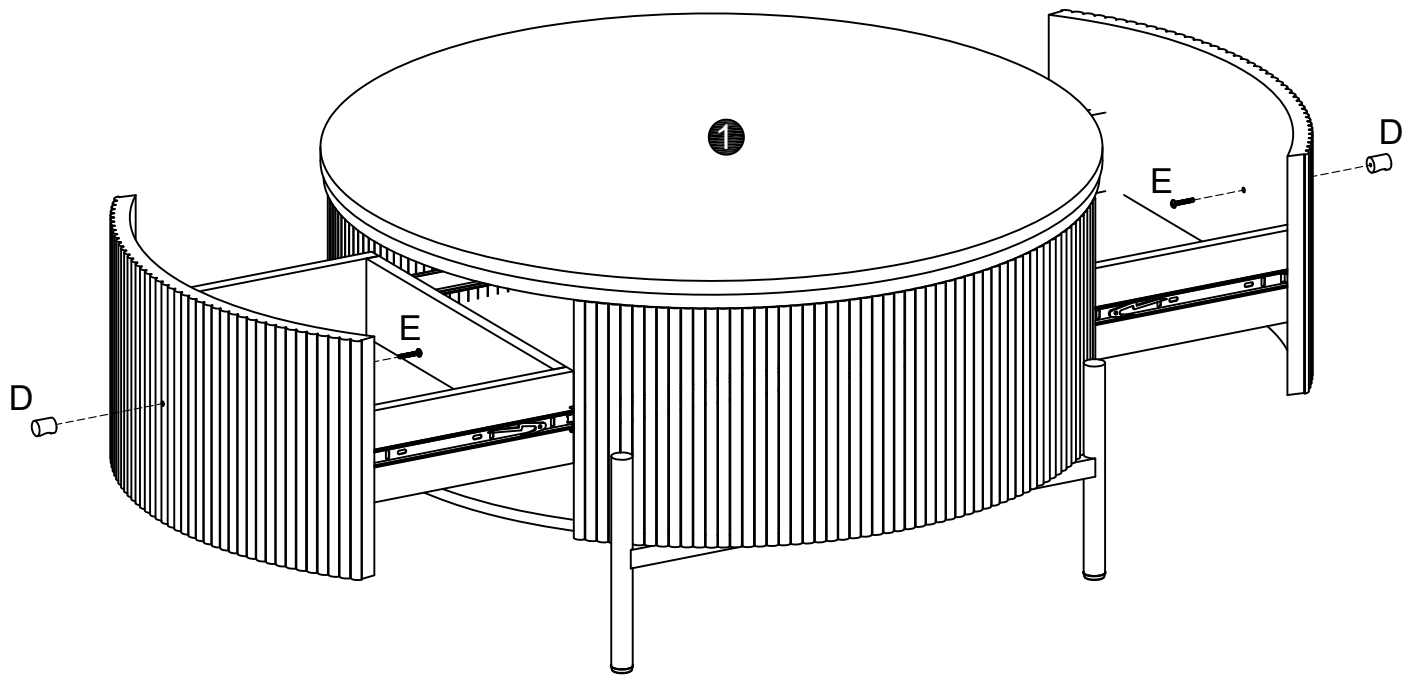
A	└	1PC
B	⚓	4PCS



Step 2



C	⚓	8PCS
---	---	------

Step 3



D		2PCS
E		2PCS