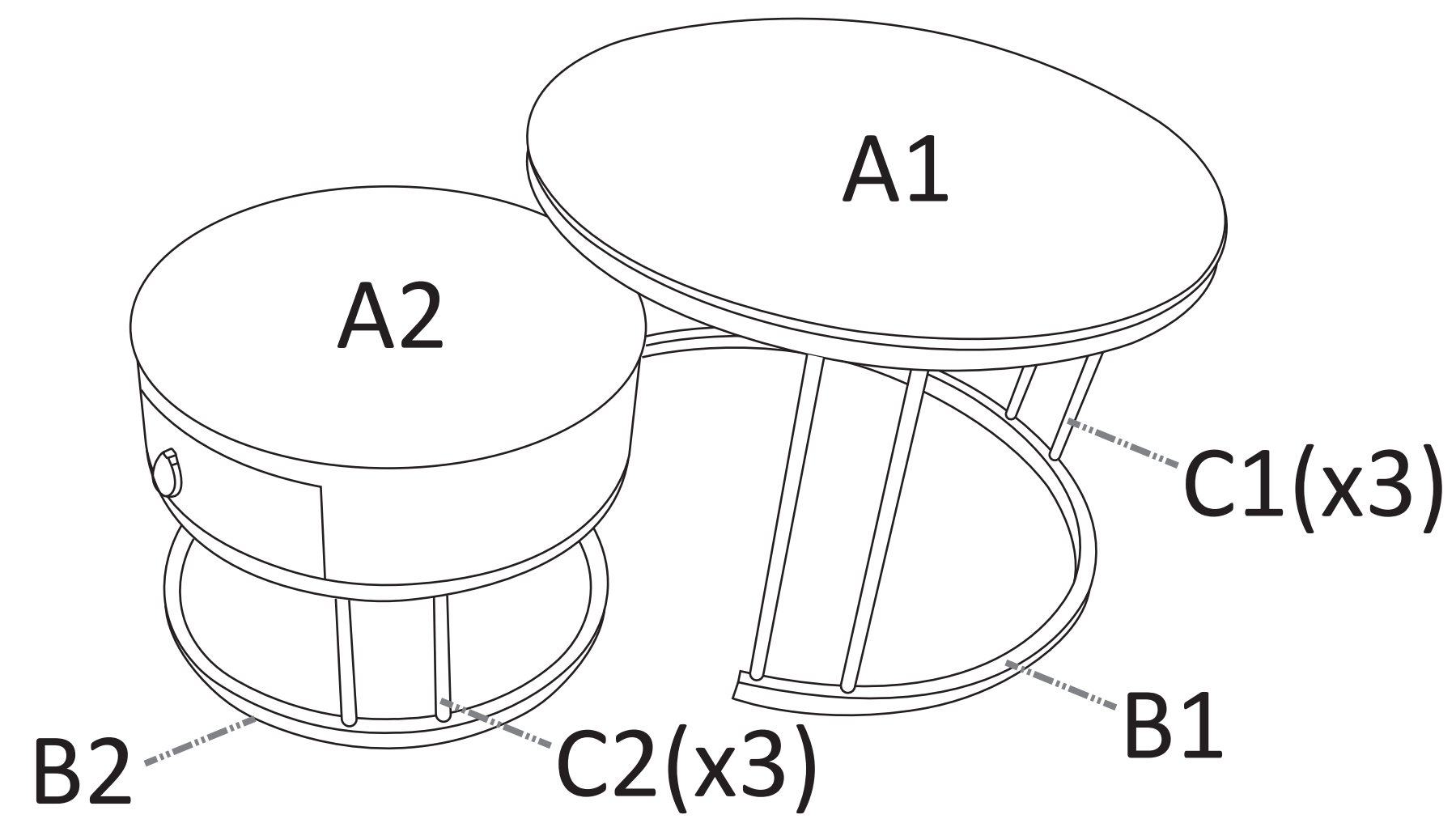
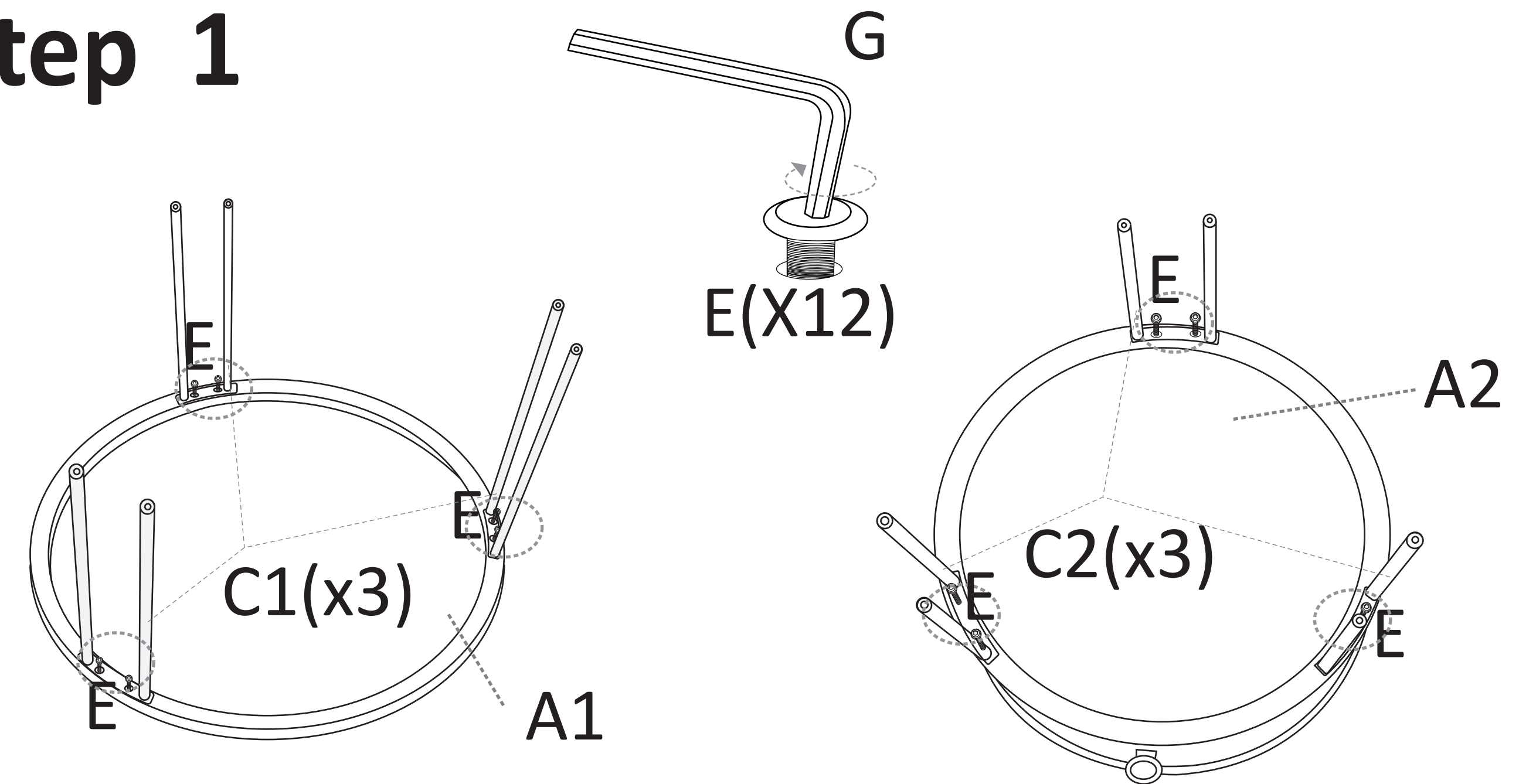


Assembly Instruction

Assemble on the pad to prevent scratching the product.
Do not tighten all screws before instructions prompt.

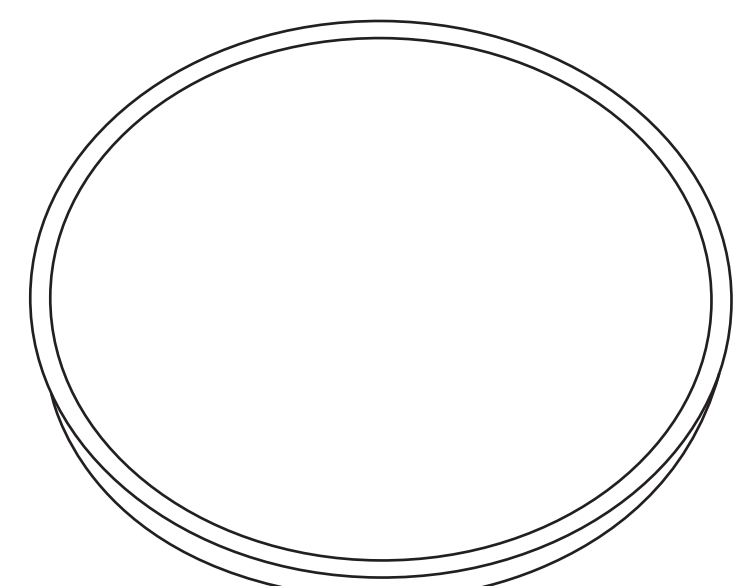


Step 1

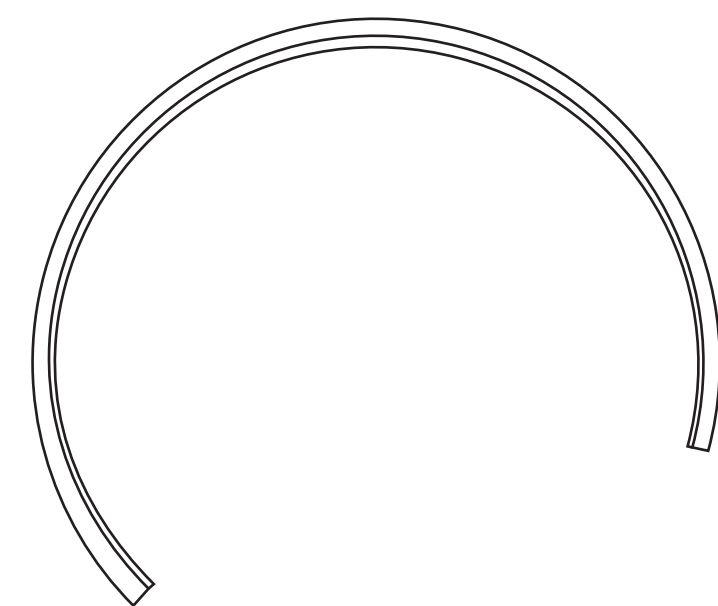


Parts List

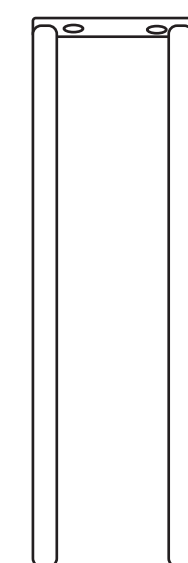
Open the hardware check all parts QTY, thanks



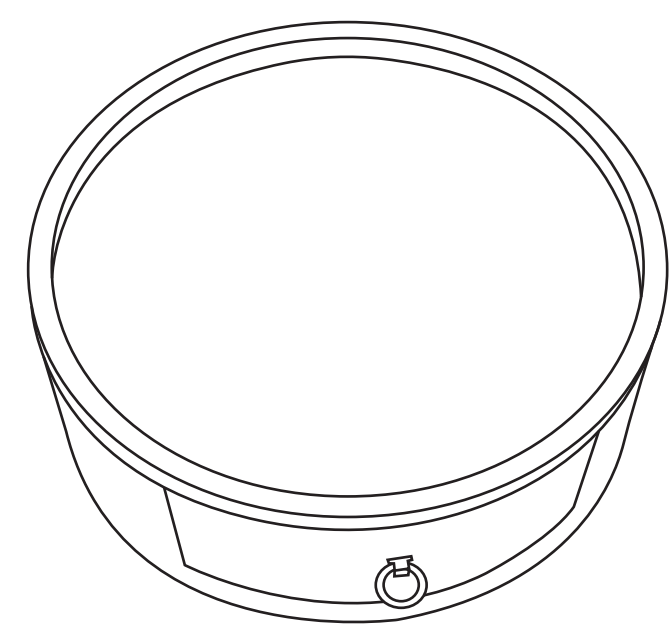
A1



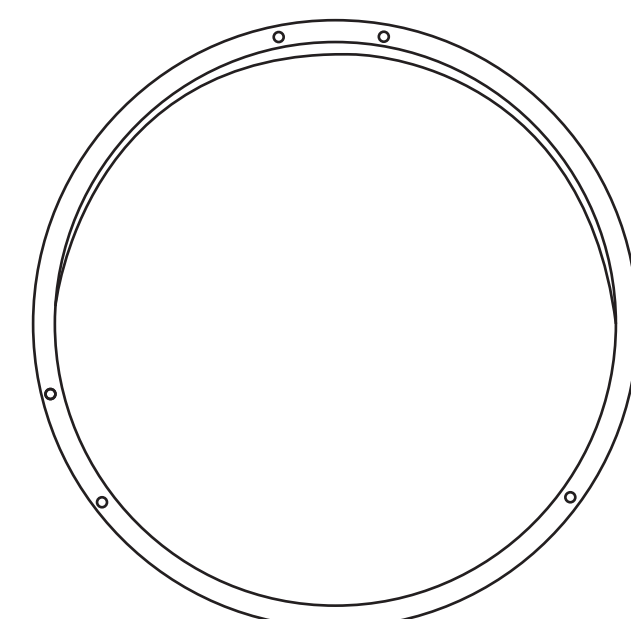
B1



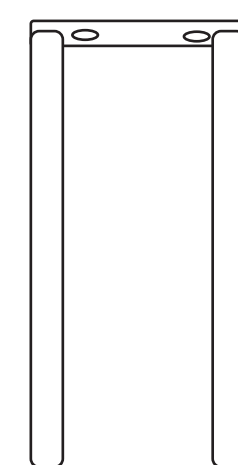
C1(x3)



A2



B2



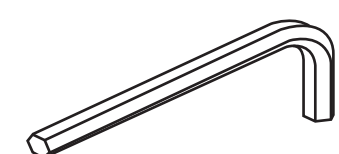
C2(x3)



D(X12)



E(X12)

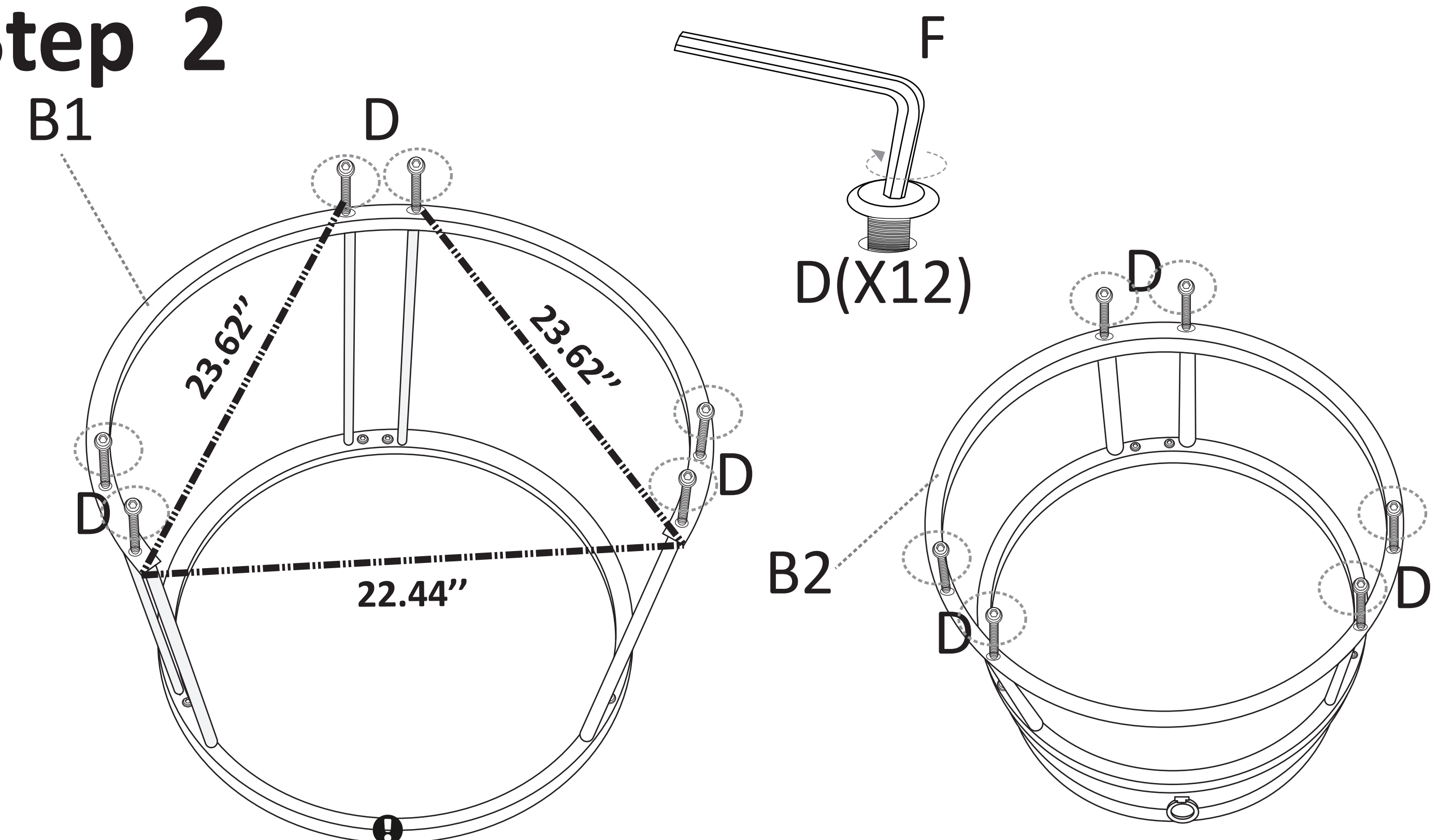


F



G

Step 2



Please refer to this tag to install the bottom frame(B1). The direction of the tag is the same as the direction of the opening of the bottom frame(B1).

Ⓜ Incorrect installation will make the frame to deform.