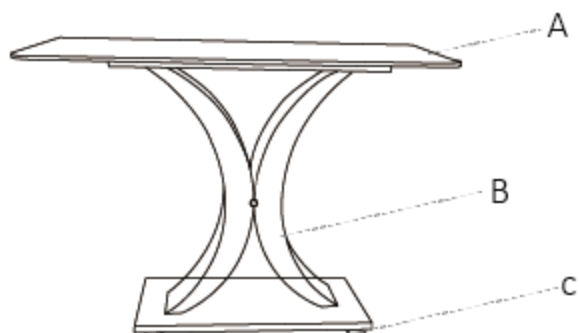
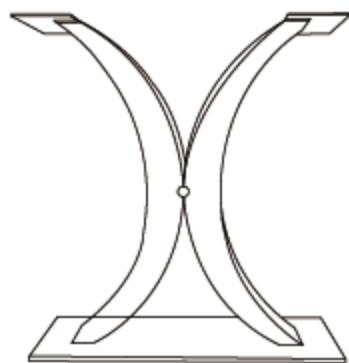


## Assembly Instructions



### Parts List

Open the hardware check all parts QTY, thanks



A × 1



B × 1



C × 4



D × 8

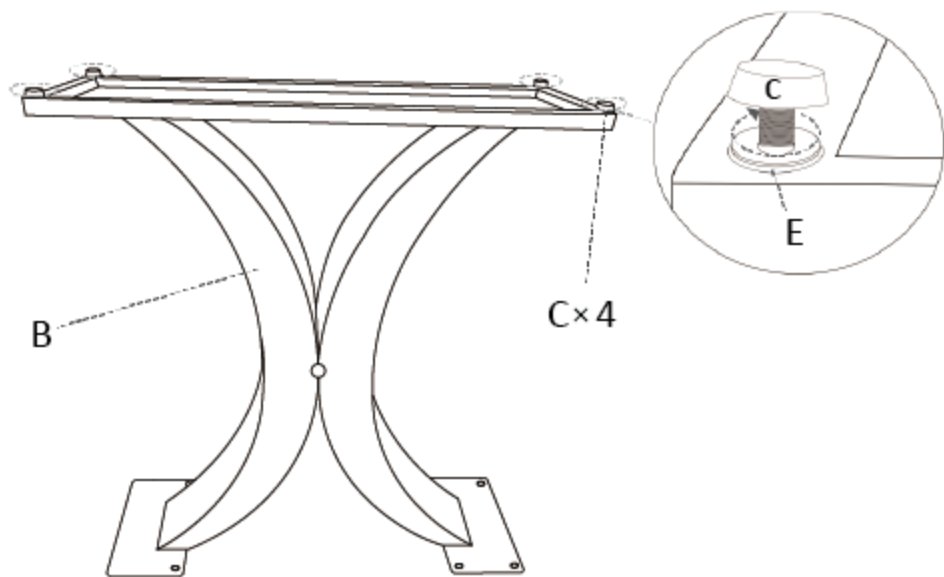


E × 8

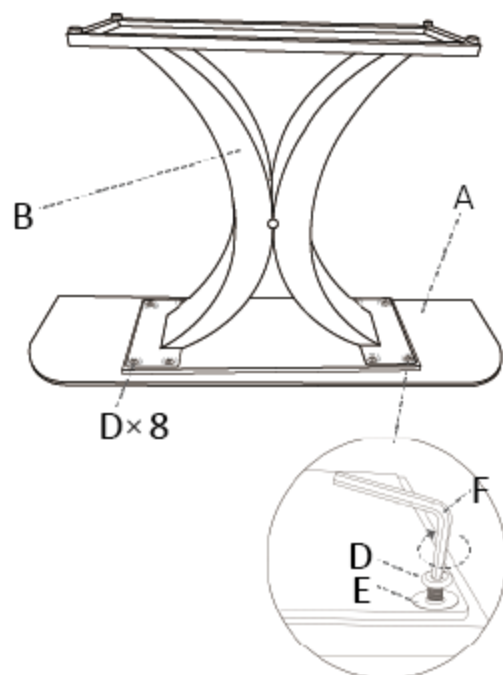


F × 1

## Step 1



## Step 2



## Step 3

