

IMPORTANT, RETAIN FOR FUTURE REFERENCE: READ CAREFULLY

# ASSEMBLY & INSTRUCTION MANUAL



**①** x 4  
1320



**②** x 8  
1825



**②A** x 4  
1825



**③** x 4  
970



**③A** x 4  
970



**④** x 3  
1858



**⑤** x 1  
1830



**⑤A** x 1  
1830



**⑥** x 1  
605



**⑦** x 8  
1115



**⑧** x 4  
1115



Φ16 395mm

**⑩** x 8  
395



**A** x 2  
1700



**C** x 2  
497



**B** x 1.  
1845

**D** x 4



**E1** x 2



**E2** x 2



**F** x 5



**G** x 1



**H** x 4



**I** x 22



**J** x 2



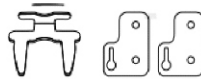
**K** x 33  
M6  
+1(spare)



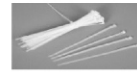
**L** x 6  
M8  
+1(spare)



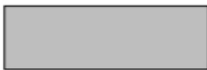
**M** x 1



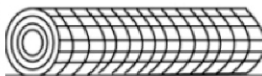
**O** x 1



**P** x 1



**Q** x 1



**R** x 16



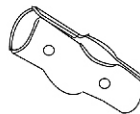
**S** x 1



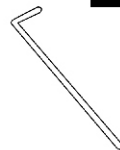
**T** x 2



**U** x 4



**W** x 10



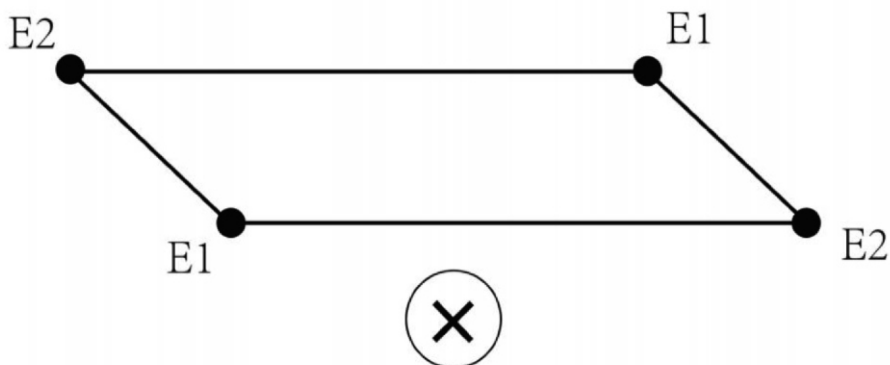
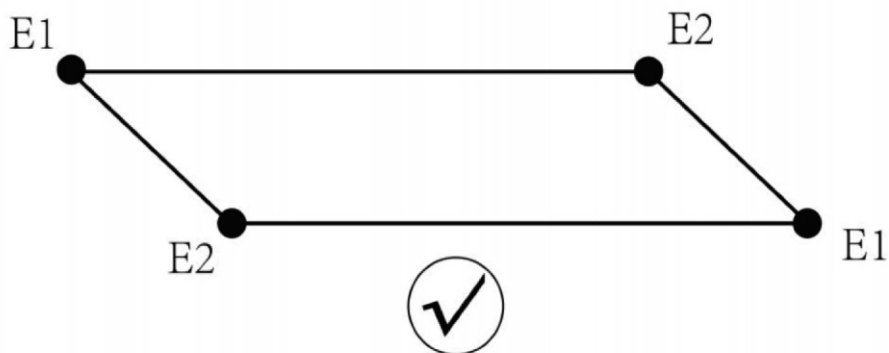
DIFFERENT HOLES SITUATIONS  
IN E1 & E2

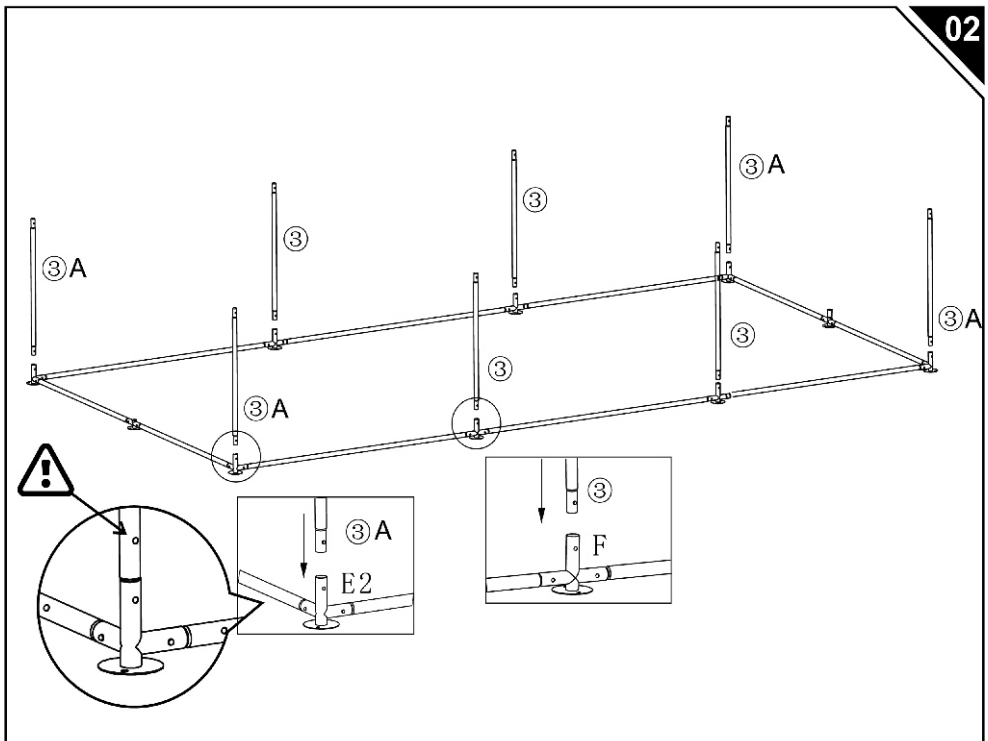
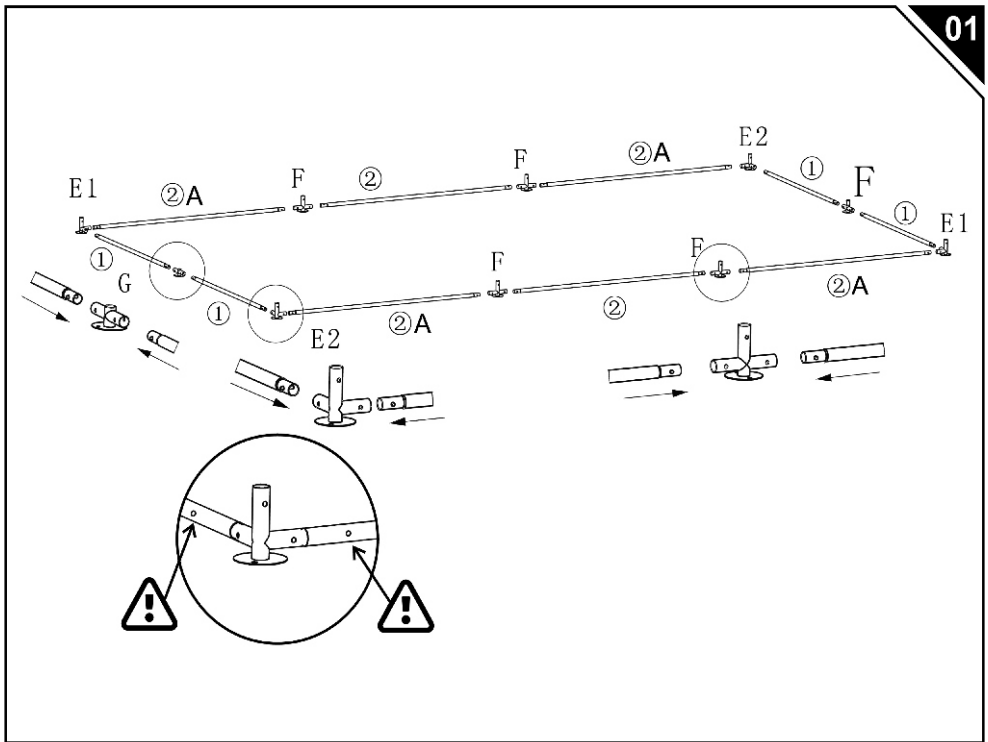


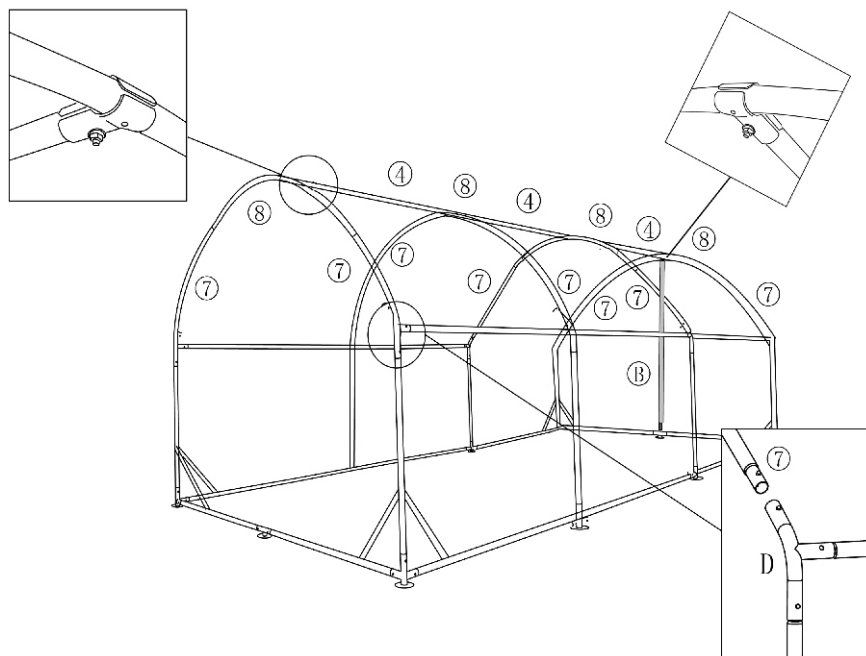
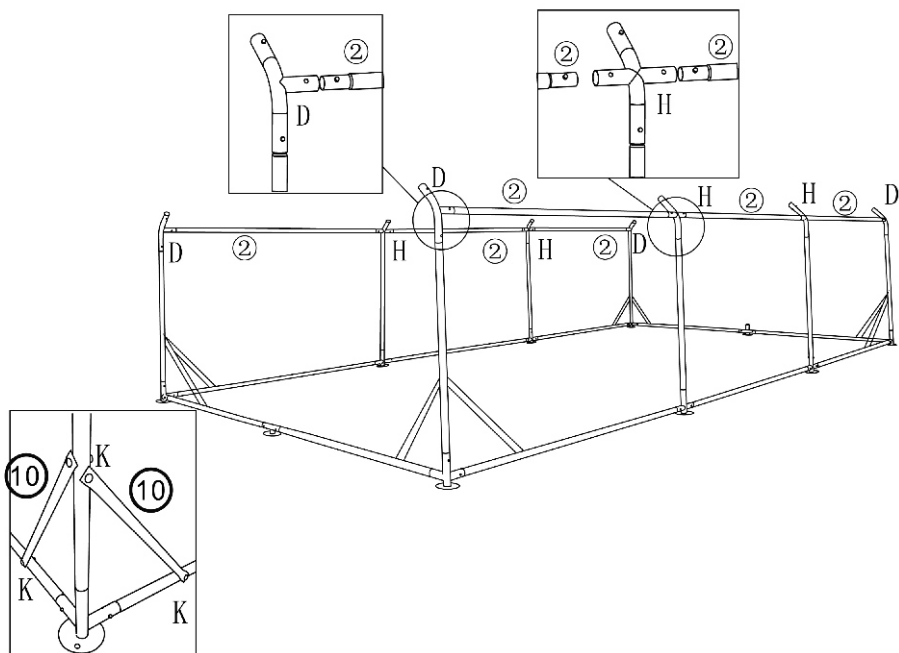
**E1**

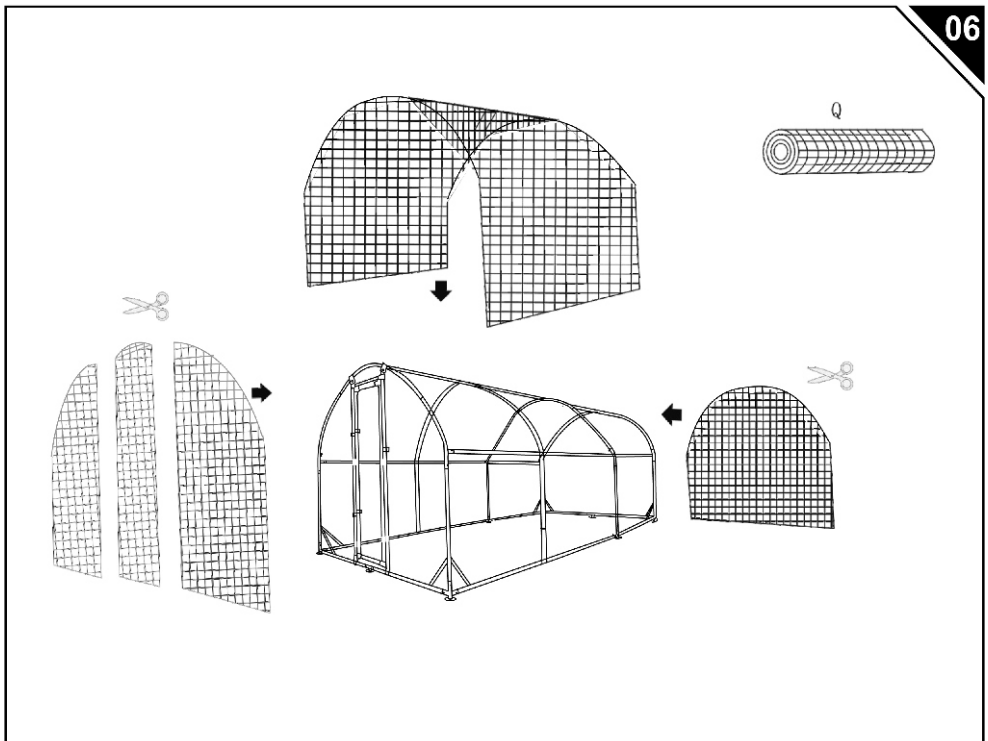
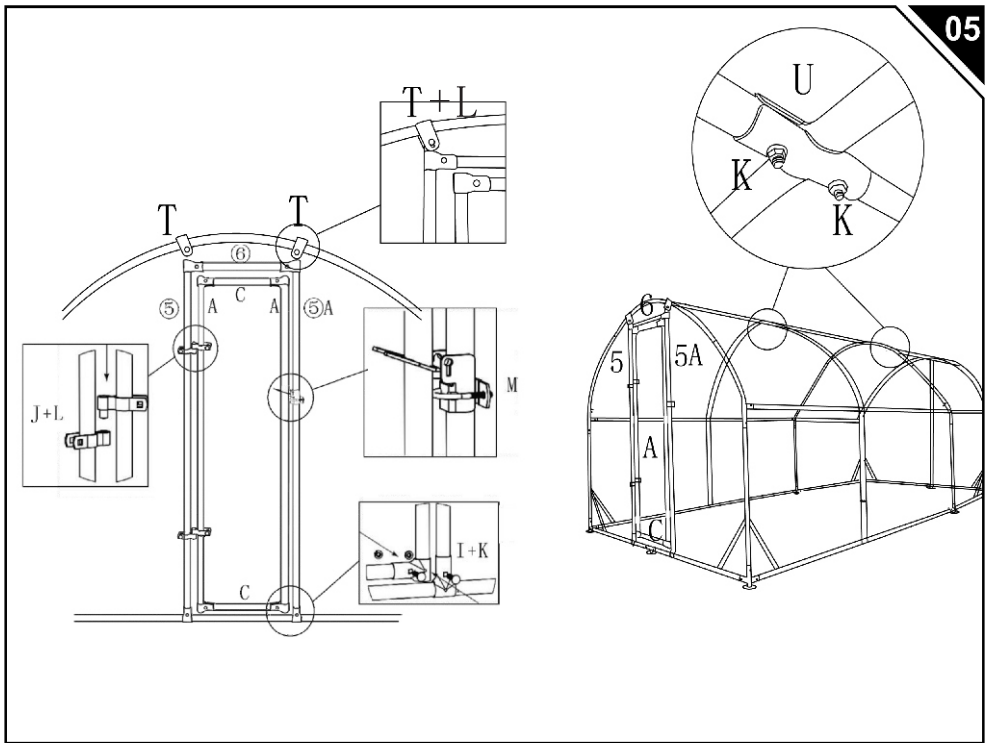


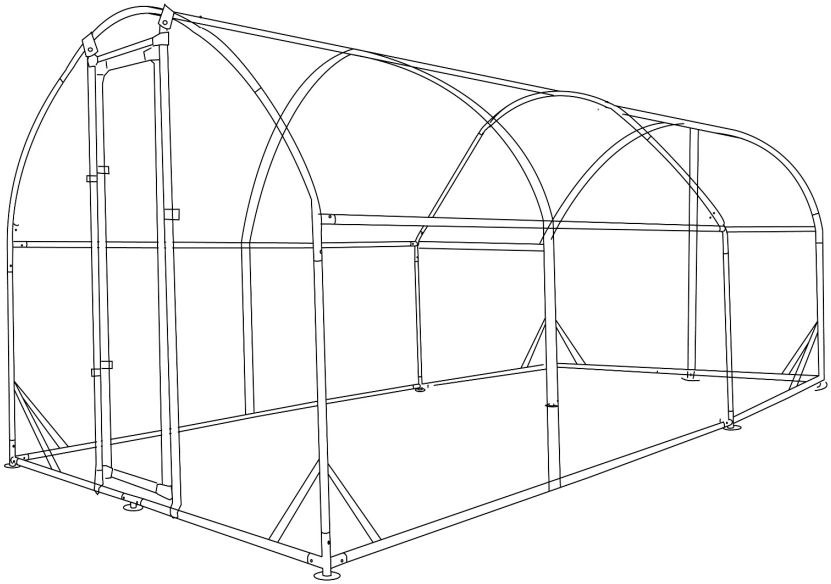
**E2**











P

R

Done

