





① x 4
1320



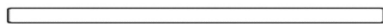
② x 2
1825



②A x 2
1825



③A x 4
970



④ x 1
1858



⑤ x 1
1830



⑤A x 1
1830



⑥ x 1
605



⑦ x 4
1115



⑧ x 2
1115

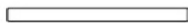


Φ16 395mm

⑩ x 8
395



A x 2
1700



C x 2
497



B x 1
1845

D x 4



E1 x 2



E2 x 2



F x 1



G x 1



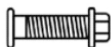
I x 22



J x 2



K x 29
M6
+1(spare)



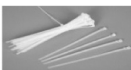
L x 6
M8
+1(spare)



M x 1



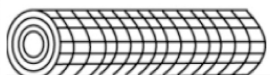
O x 1



P x 1



Q x 1



R x 16



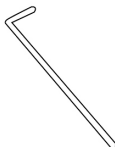
S x 1



T x 2



W x 6



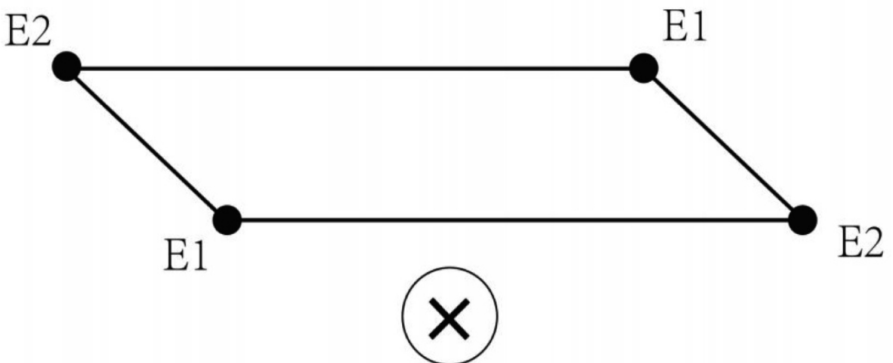
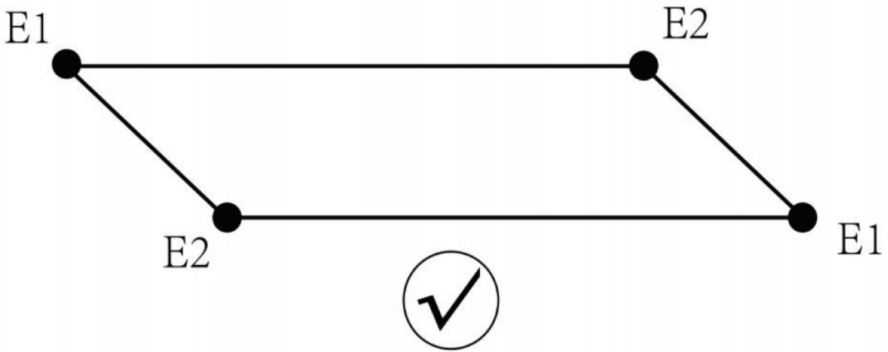
DIFFERENT HOLES SITUATIONS
IN E1 & E2

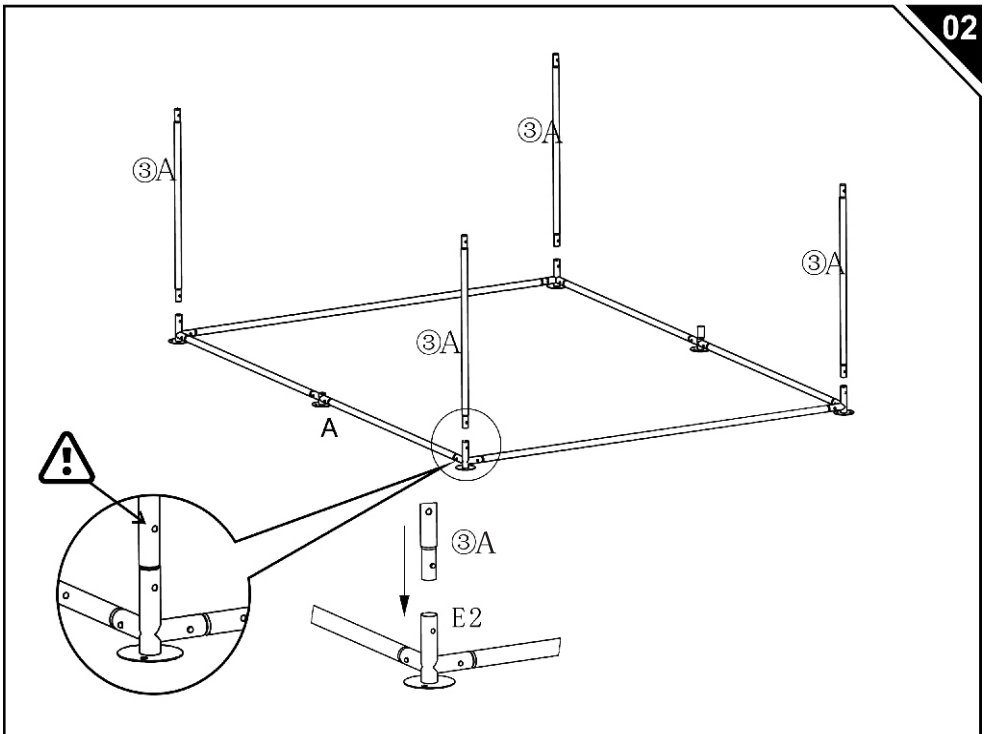
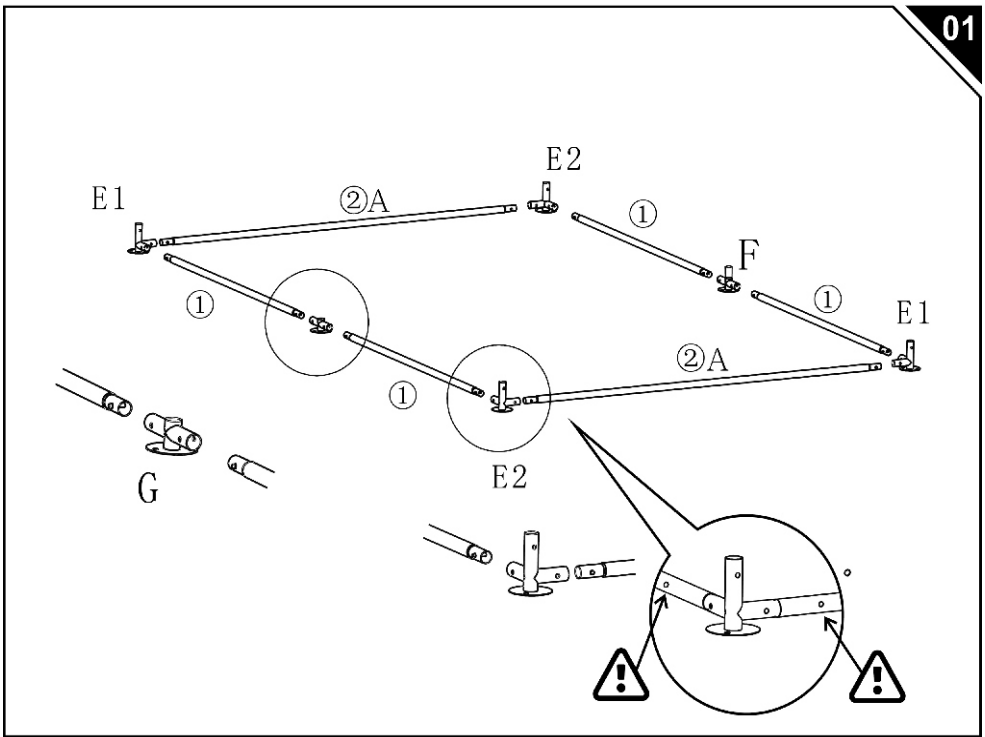


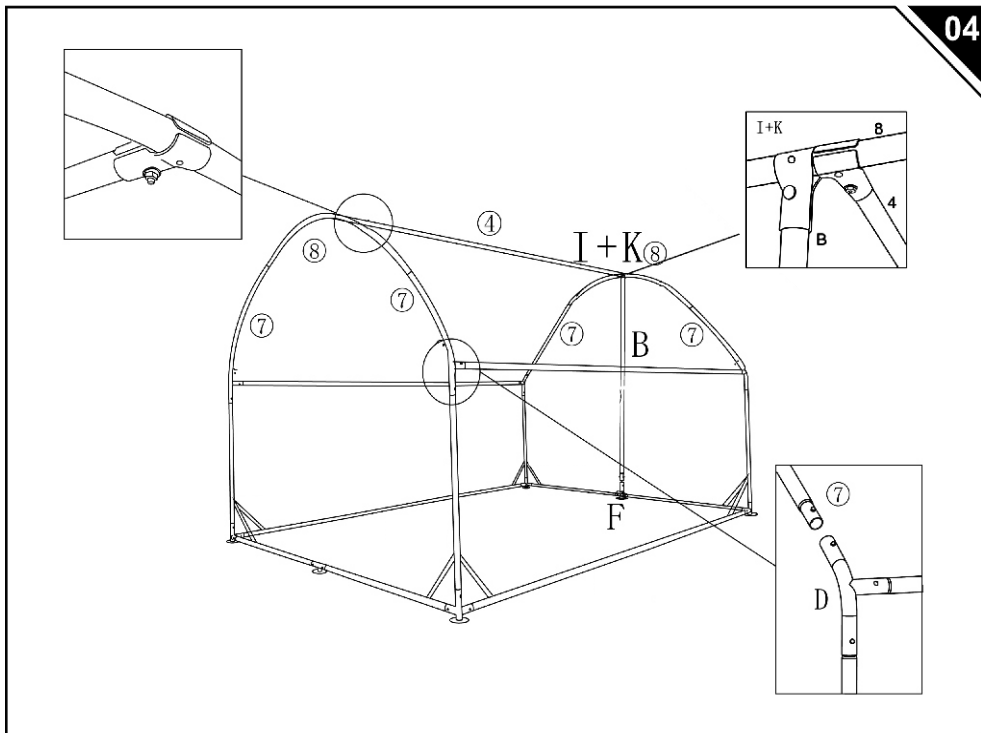
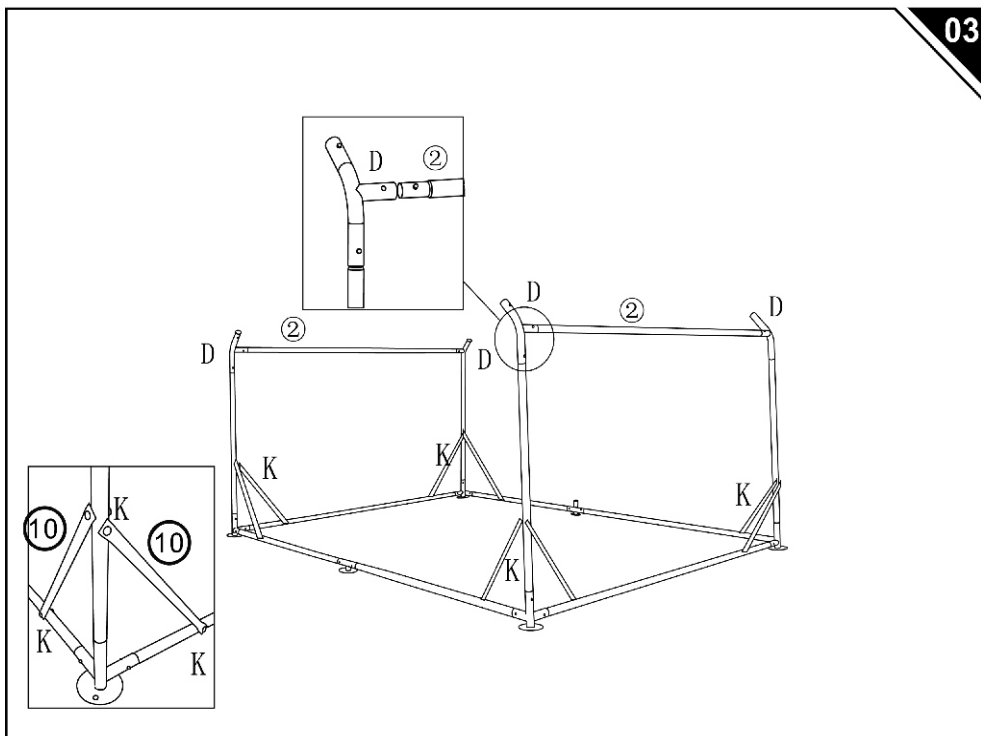
E1

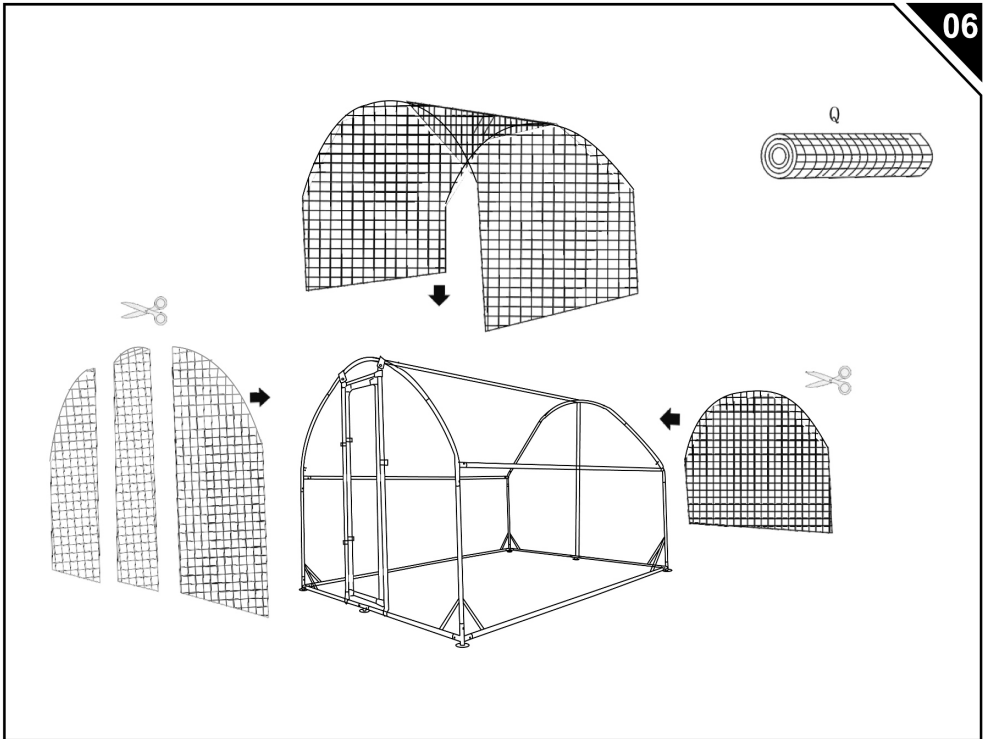
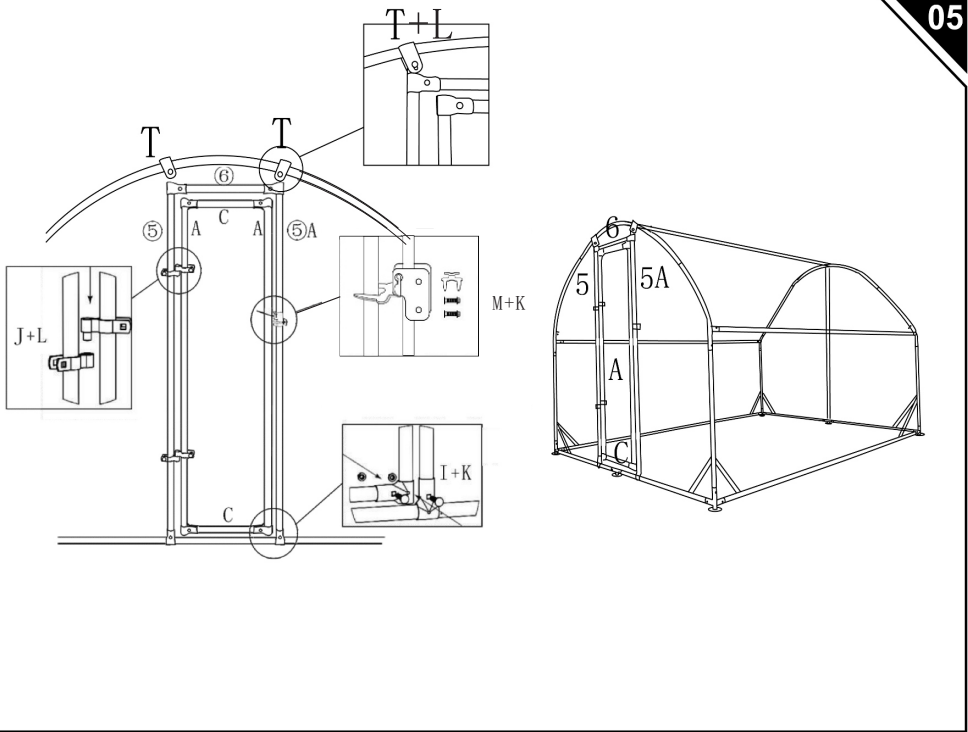


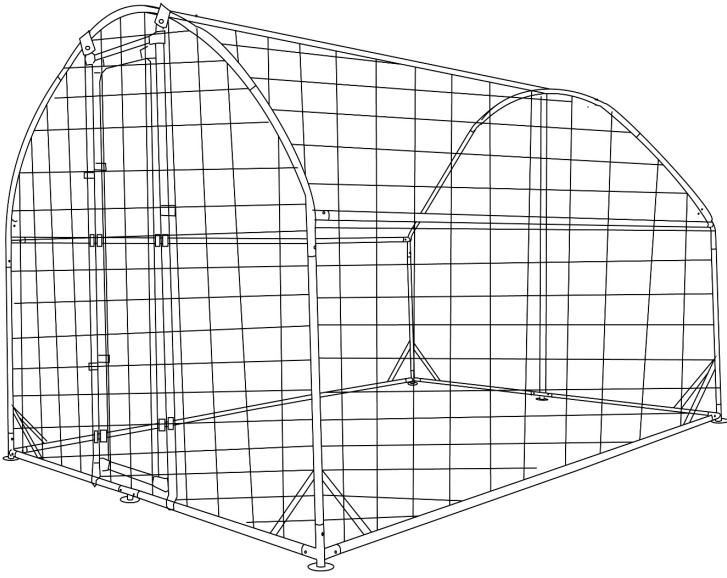
E2











P

R

Done

