

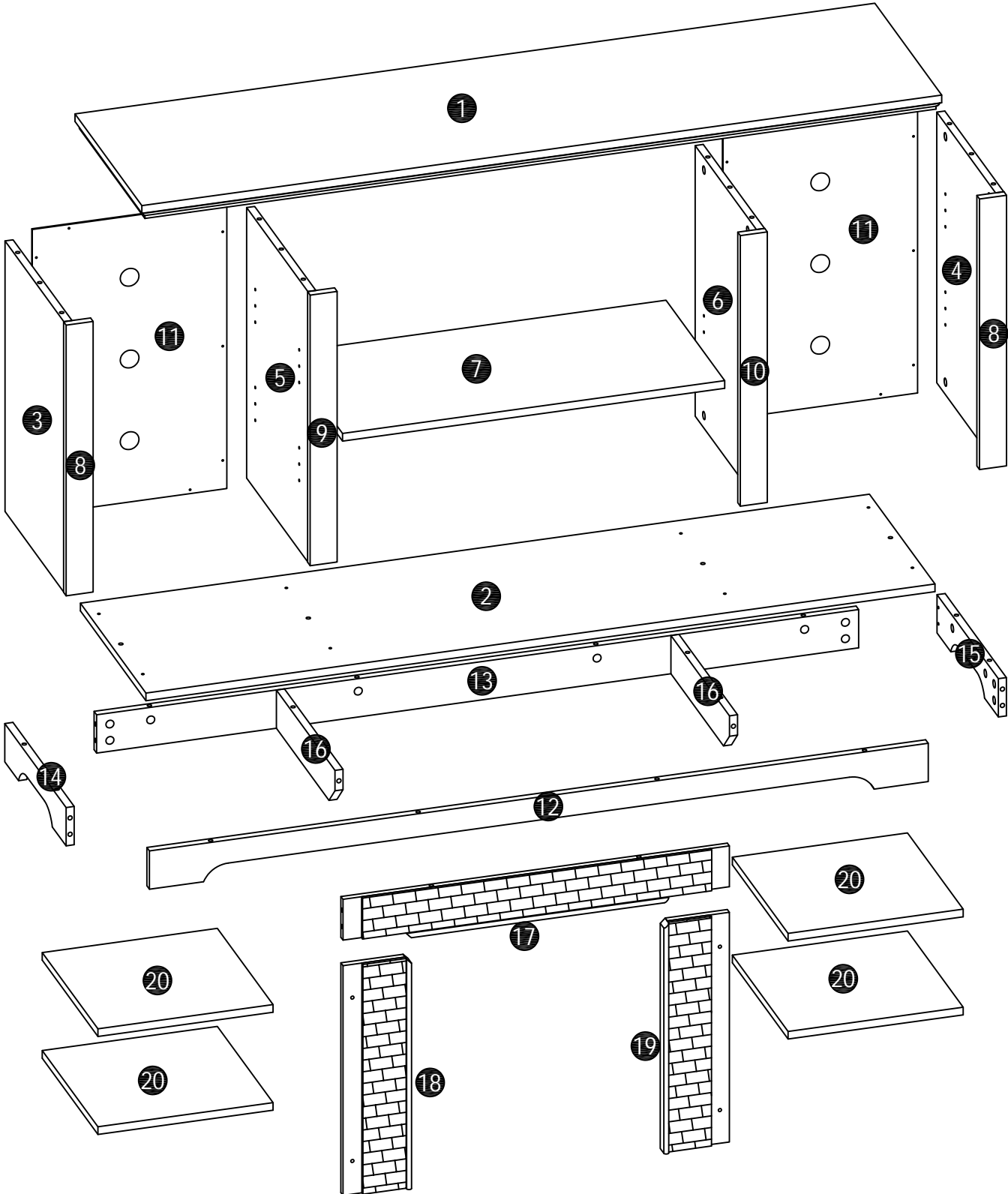
TV Stand w/ Fireplace

Item:YS-020

Assembly Instructions

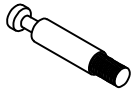
NOTE: This instruction manual contains **IMPORTANT** safety information. Please read carefully before assembling the product

List of Parts



Hardware

A x 60+2



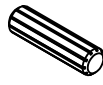
Ø6 x 34mm

B x 60+2



Ø15 x 9mm

C x 8+1



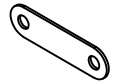
Ø8*30mm

D x 4+1

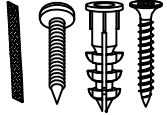


Ø3.5*12mm

E x 2



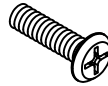
F x 2



G x 20



H x 4+1



Ø6*22mm

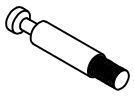
I x 20+2



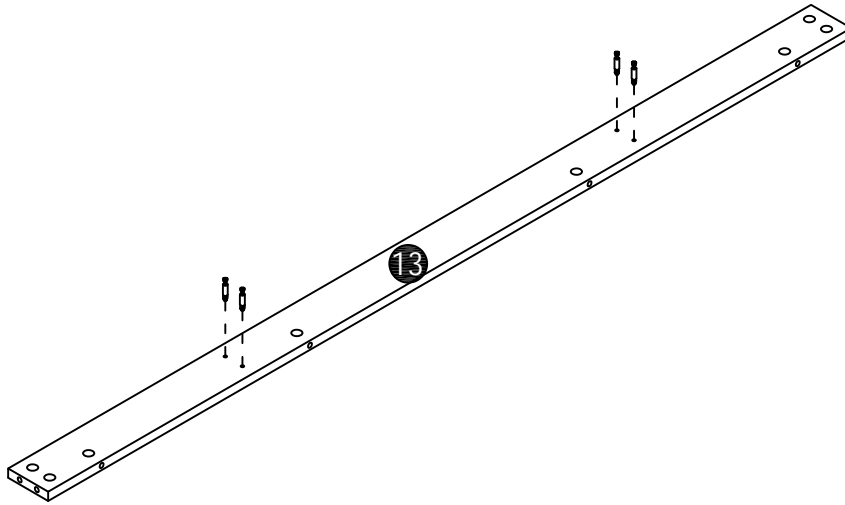
Ø3.5*12mm

STEP1

A x 4



Ø6 x 34mm

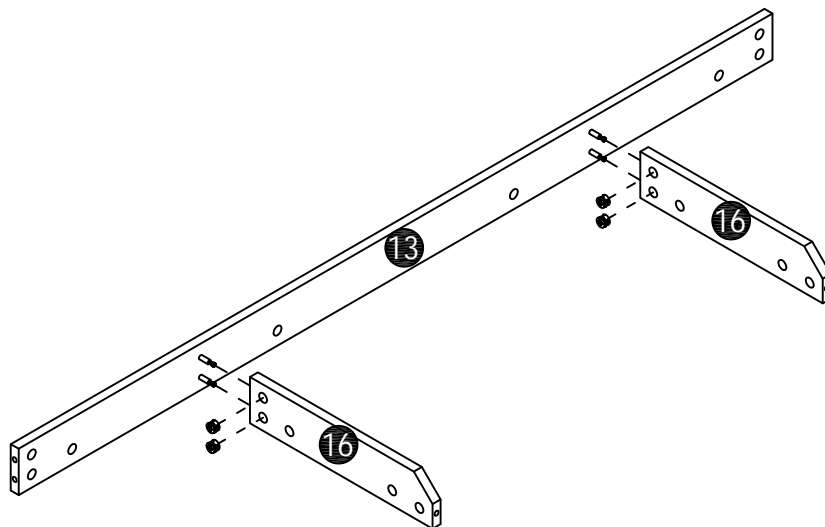


STEP2

B x 4

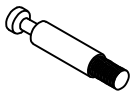


Ø15 x 9mm

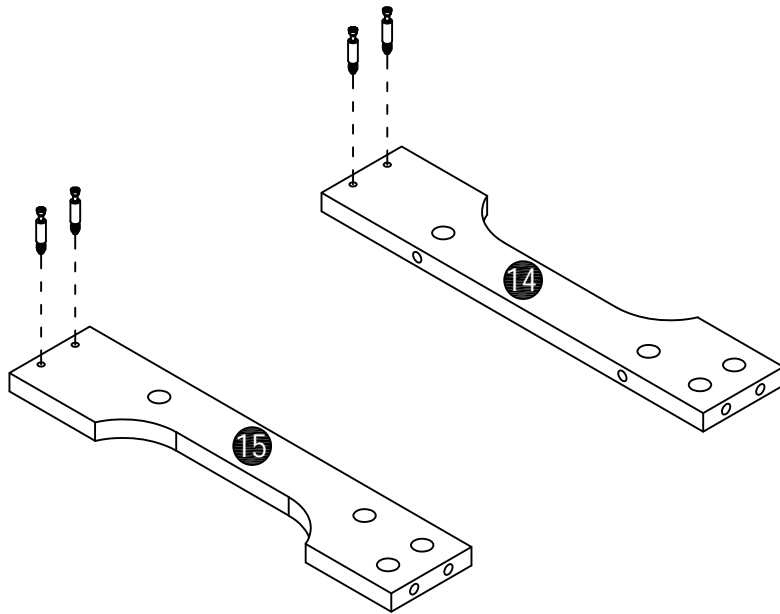


STEP3

A x 4



Ø6 x 34mm

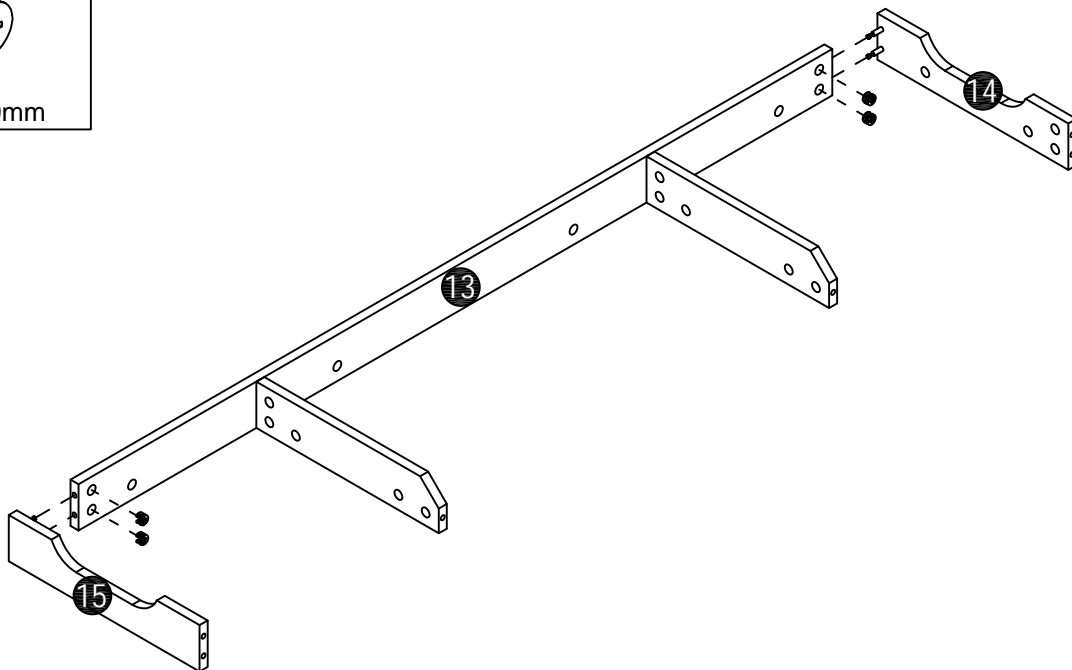


STEP4

B x 4

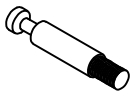


Ø15 x 9mm

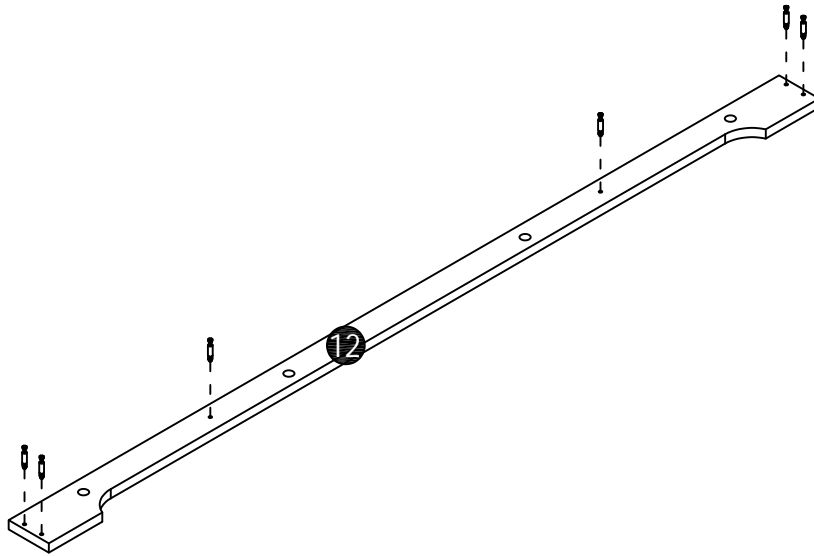


STEP5

A x 6



Ø6 x 34mm

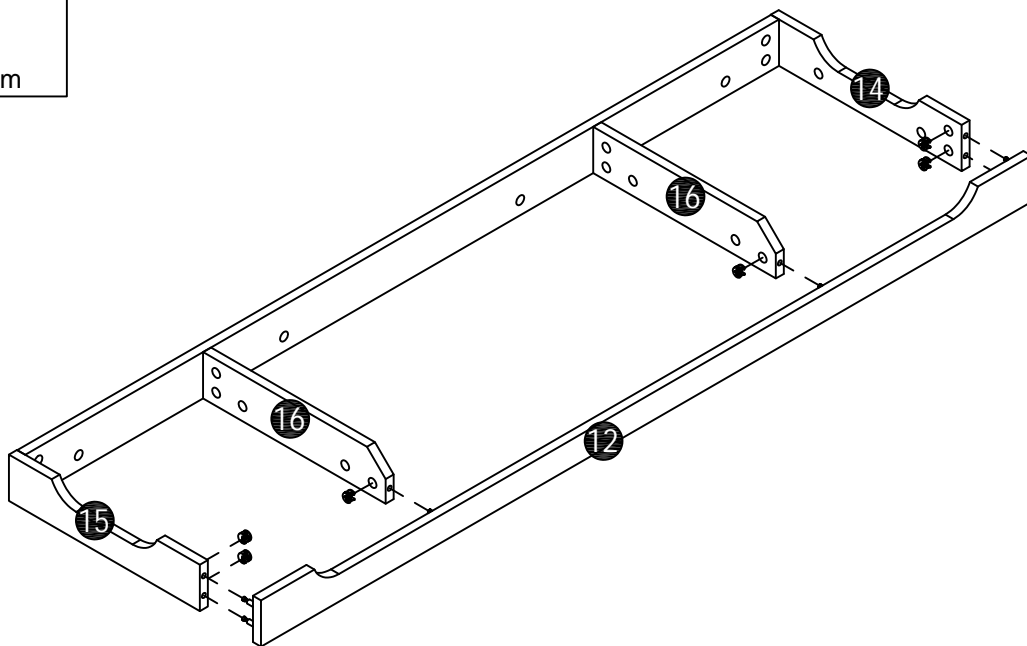


STEP6

B x 6

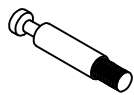


Ø15 x 9mm

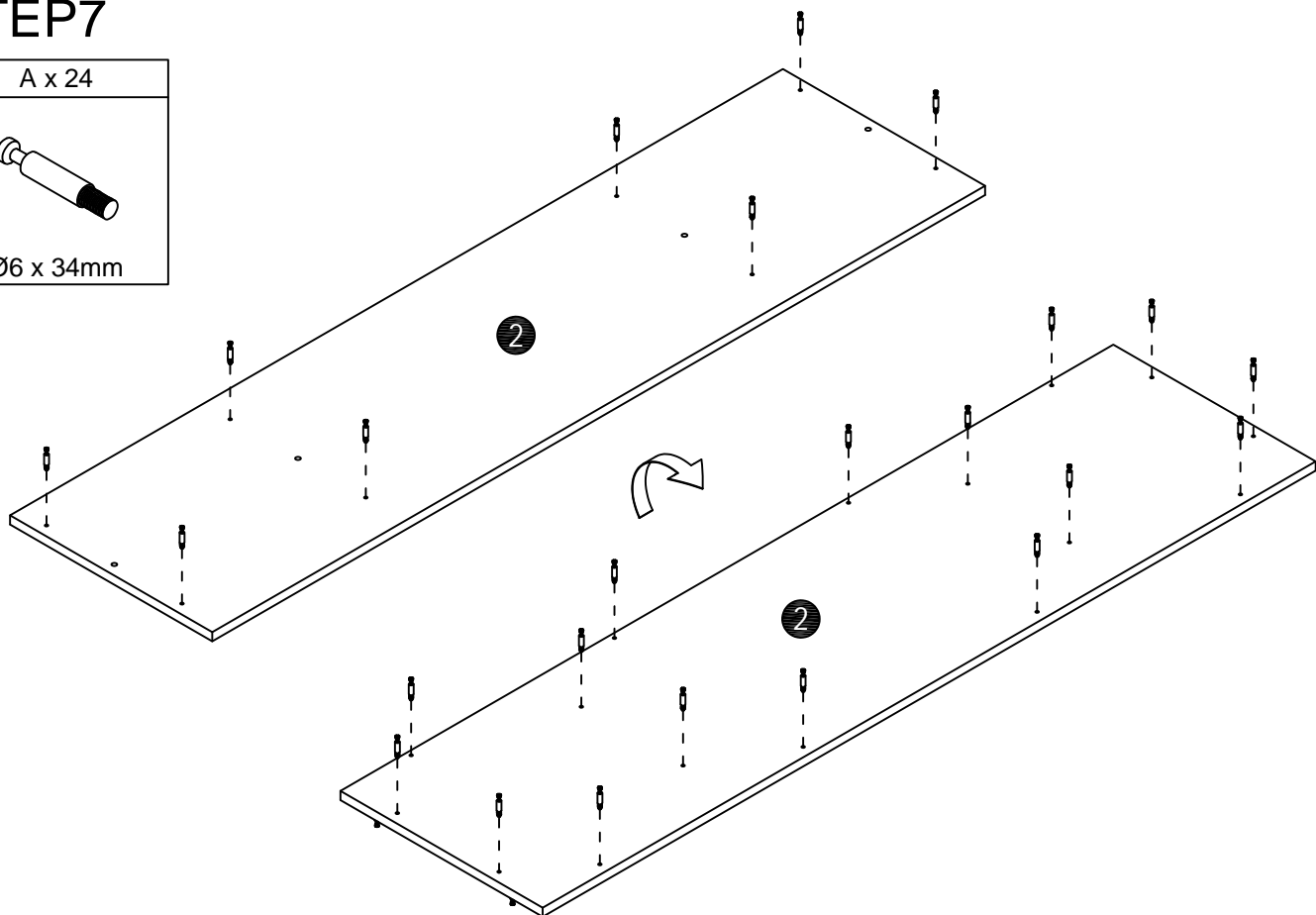


STEP7

A x 24



Ø6 x 34mm

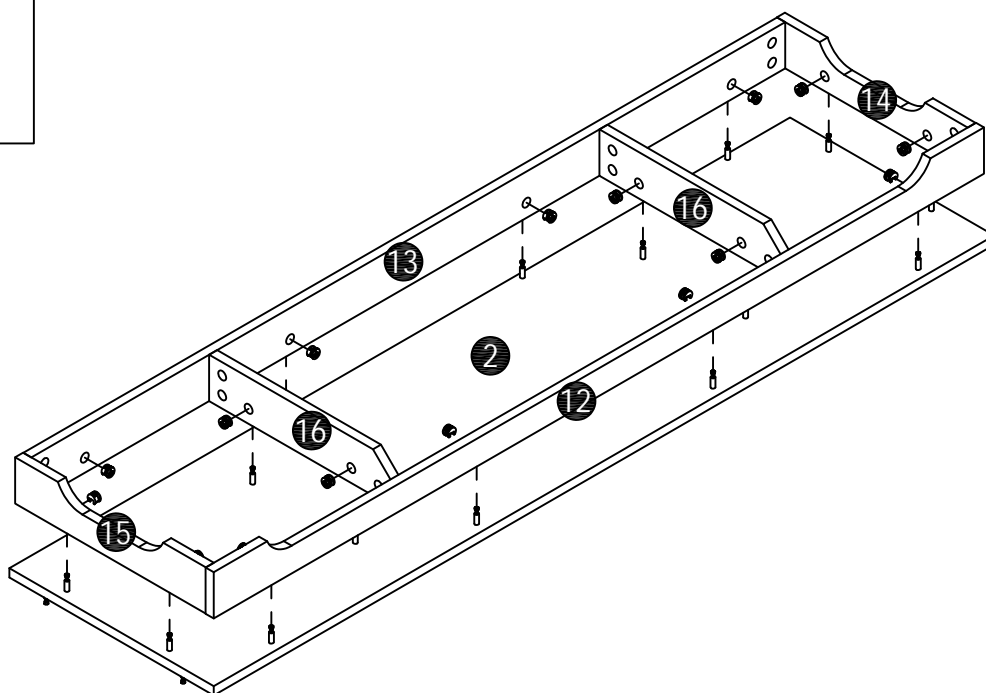


STEP8

B x 16

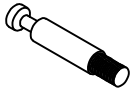


Ø15 x 9mm

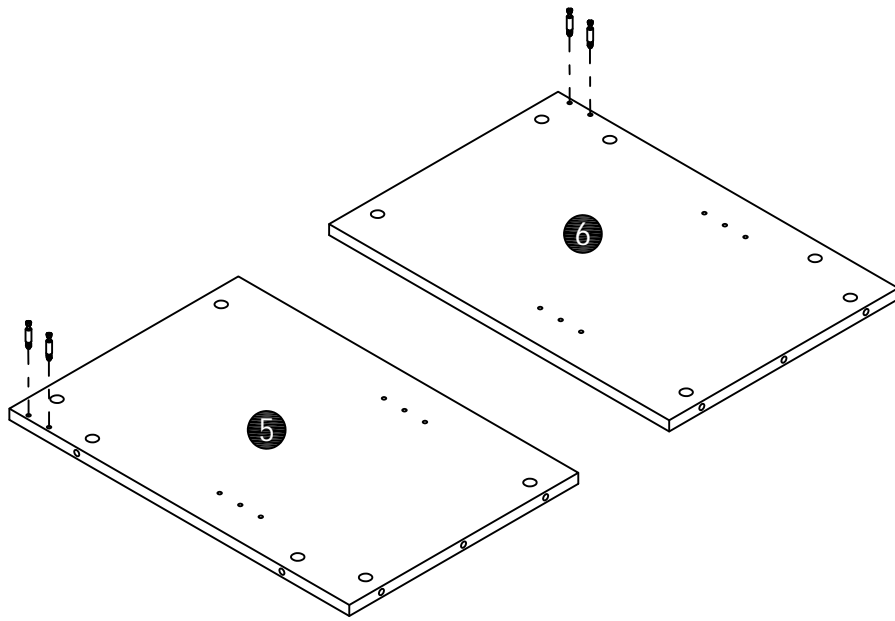


STEP9

A x 4

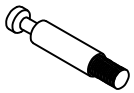


Ø6 x 34mm

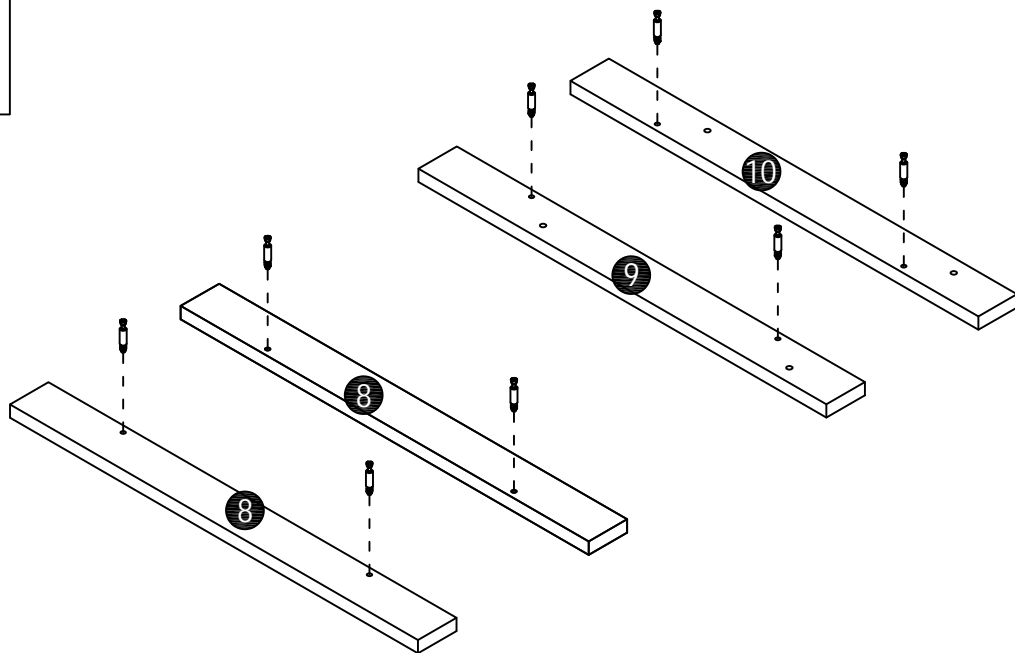


STEP10

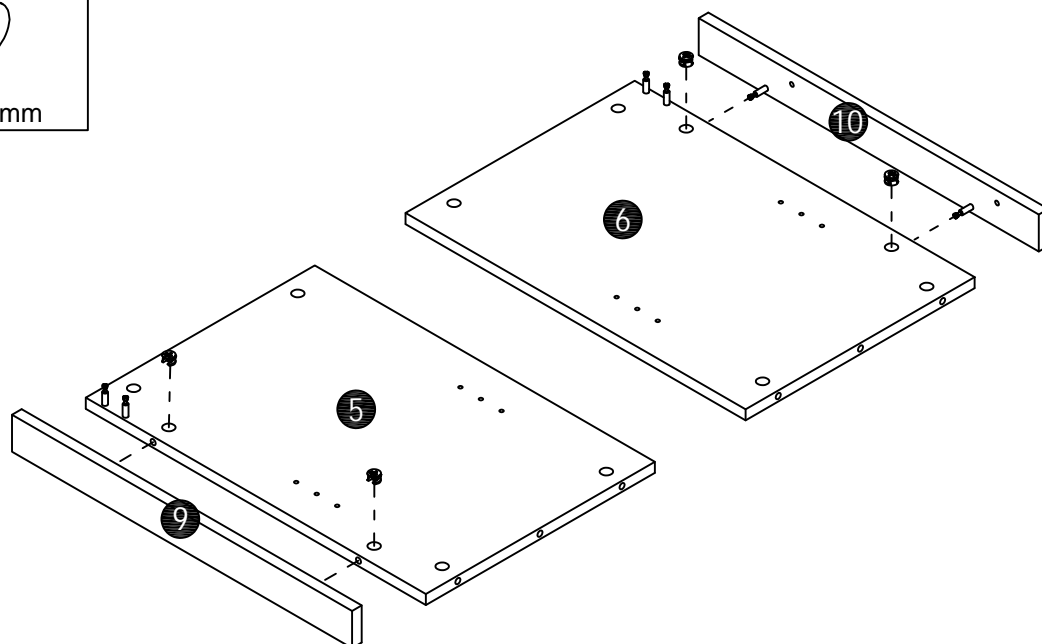
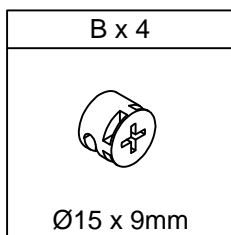
A x 8



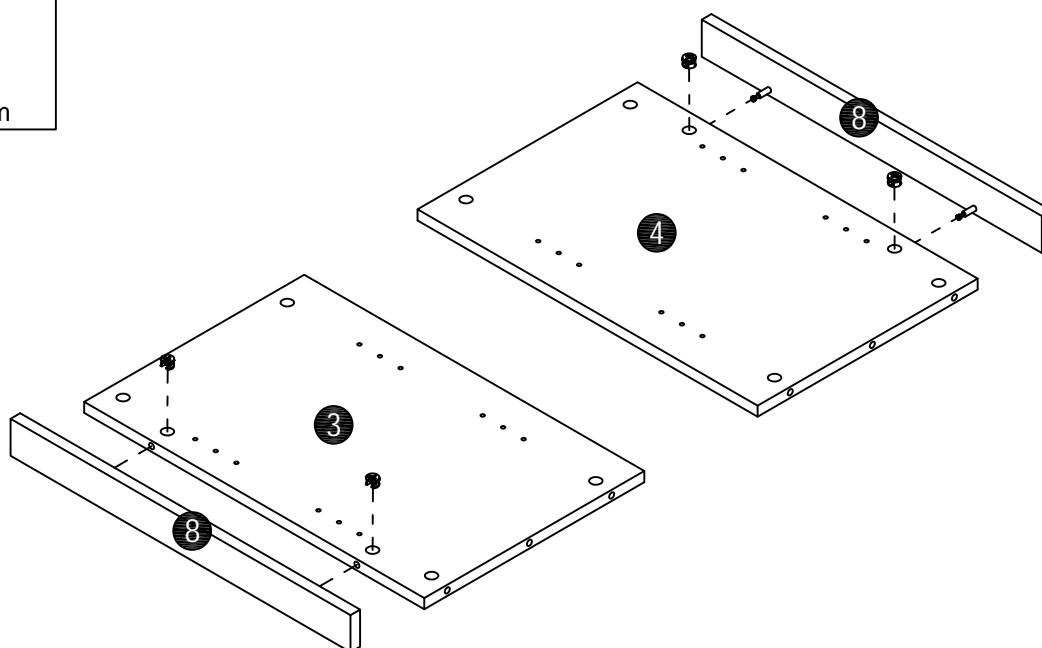
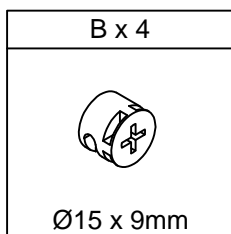
Ø6 x 34mm



STEP11



STEP12

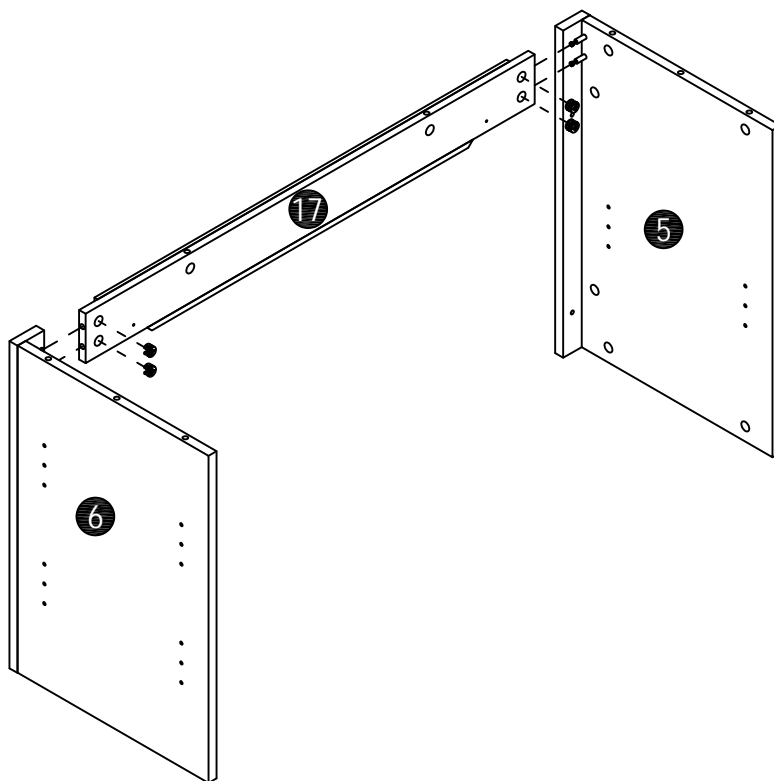


STEP13

B x 4



Ø15 x 9mm



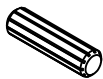
STEP14

B x 8

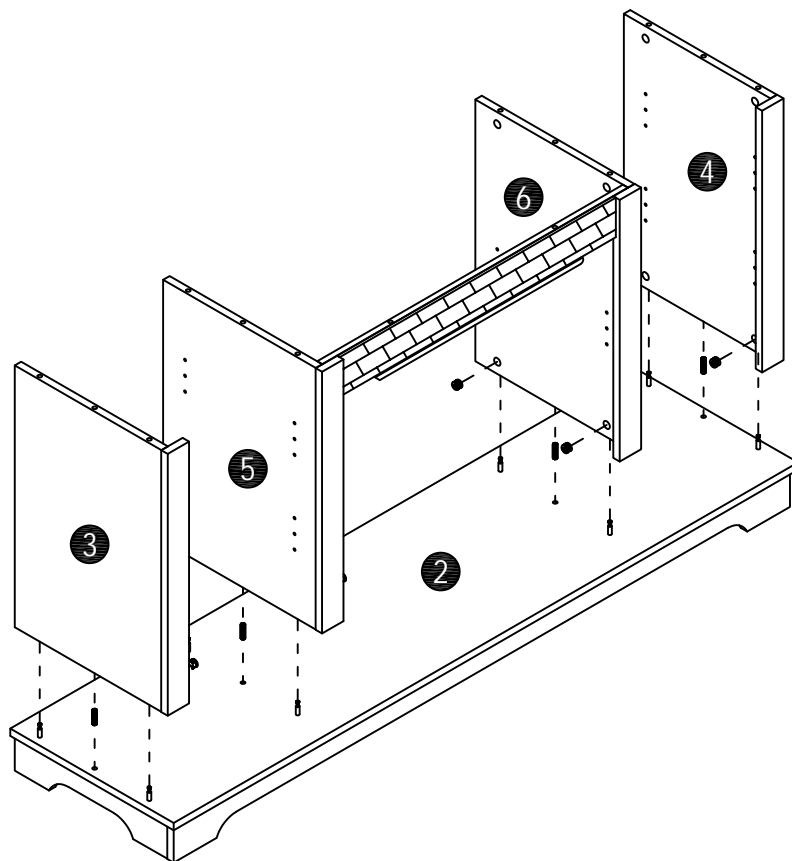


Ø15 x 9mm

C x 4

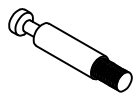


Ø8*30mm

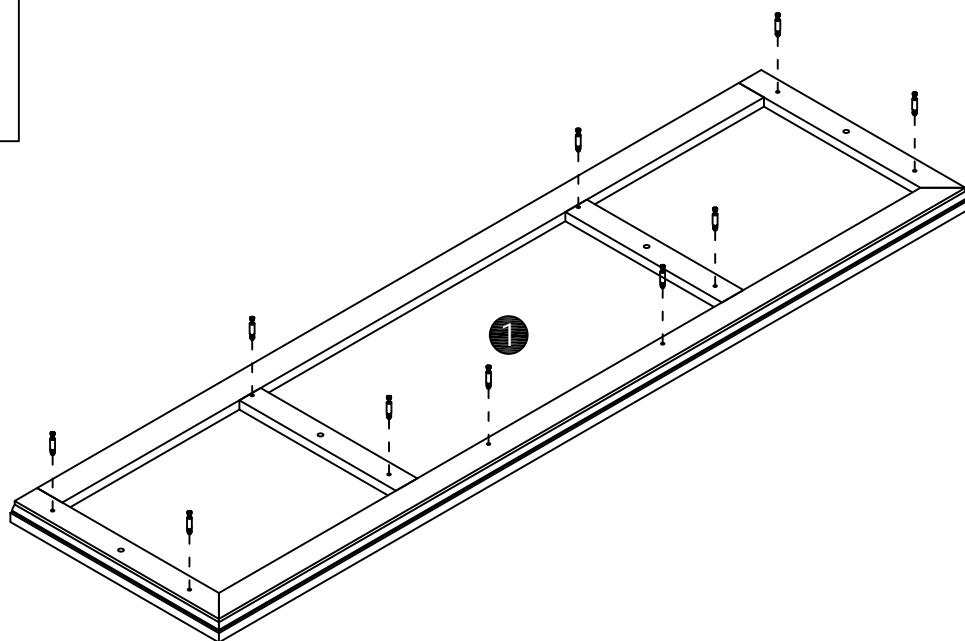


STEP15

A x 10



Ø6 x 34mm



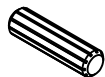
STEP16

B x 10

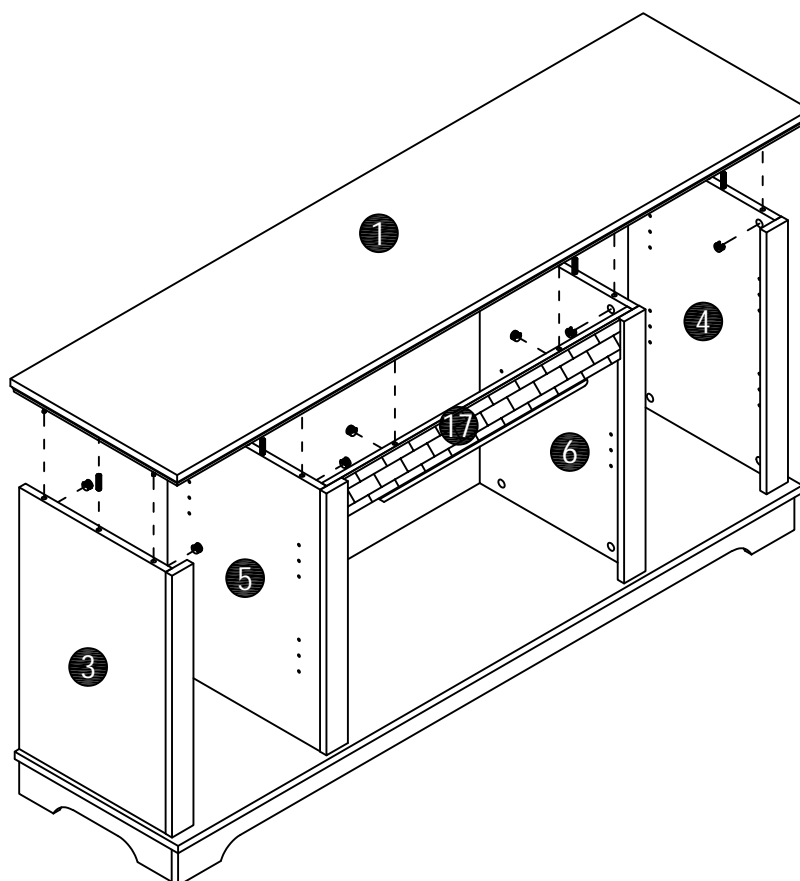


Ø15 x 9mm

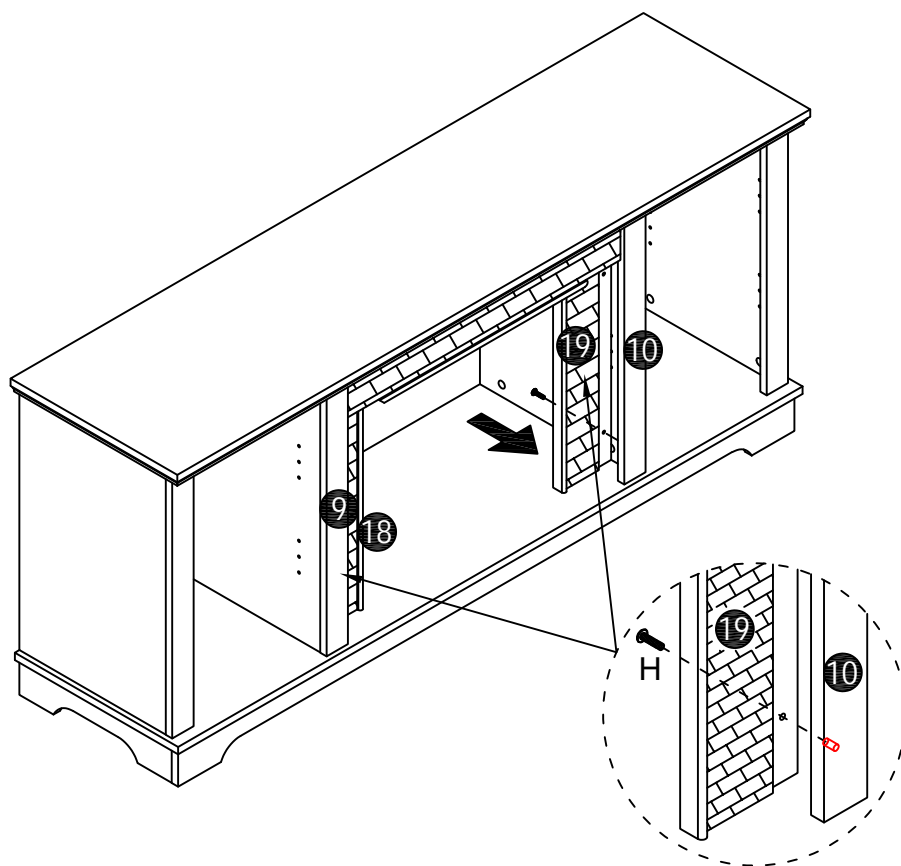
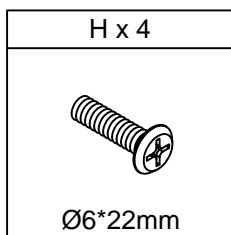
C x 4



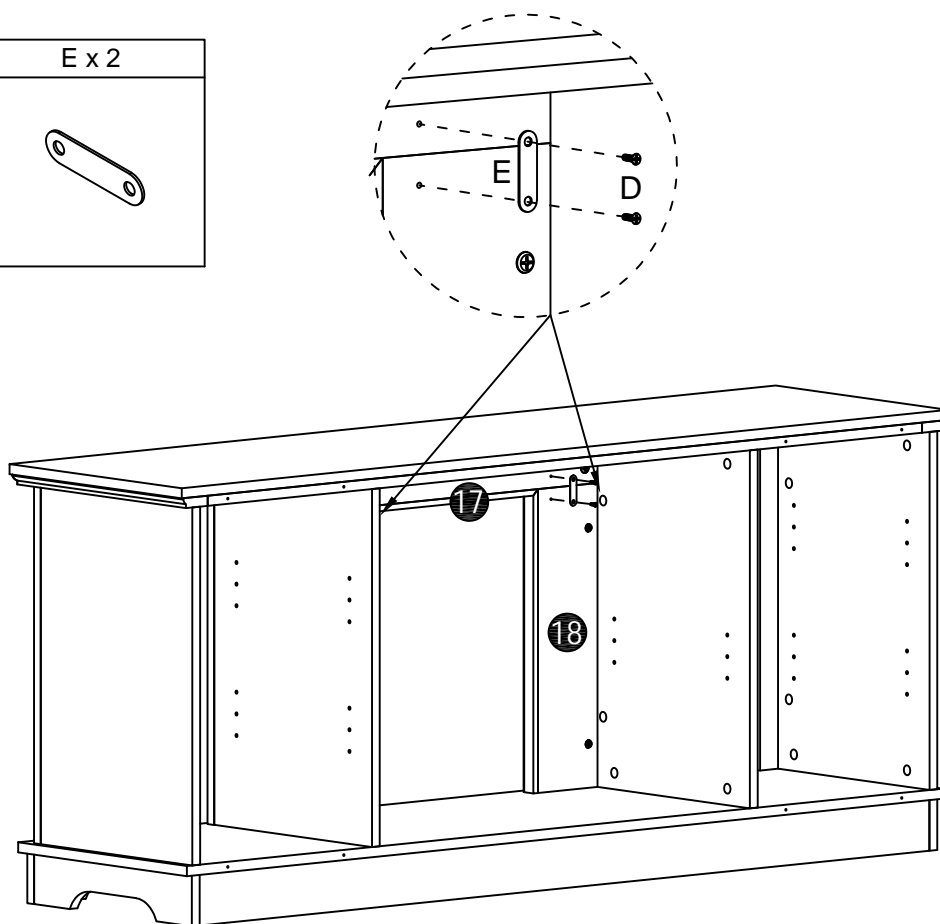
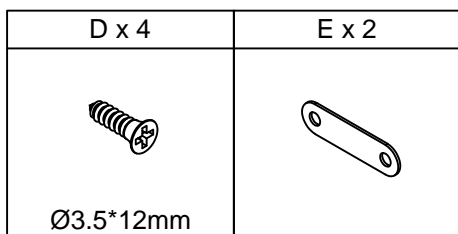
Ø8*30mm



STEP17

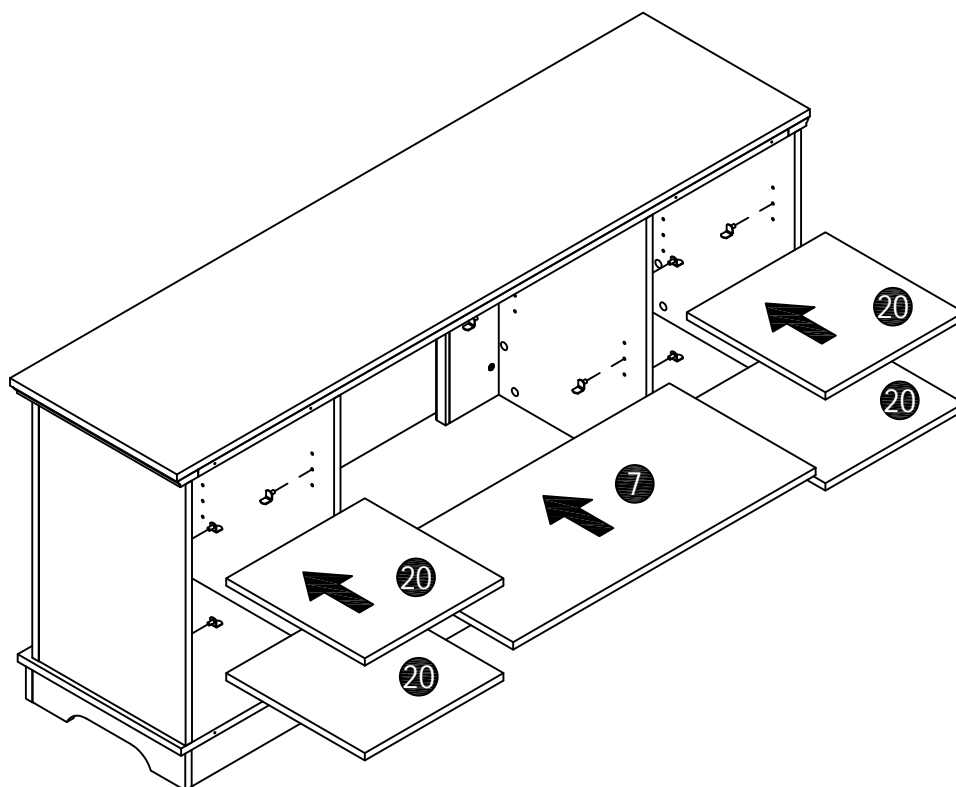


STEP18



STEP19

G x 20

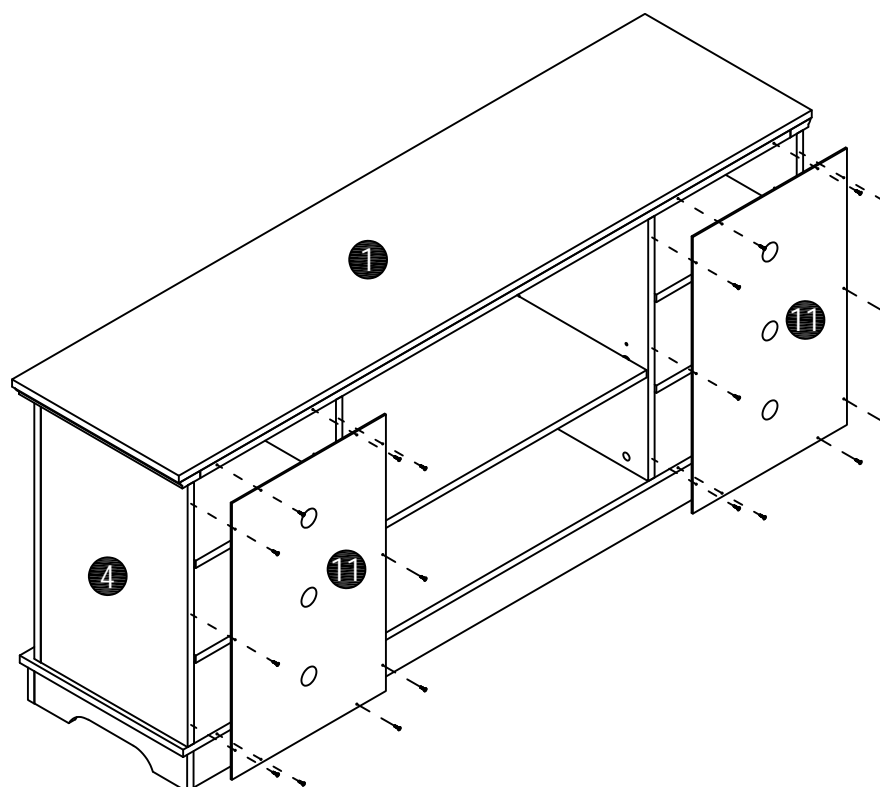


STEP20

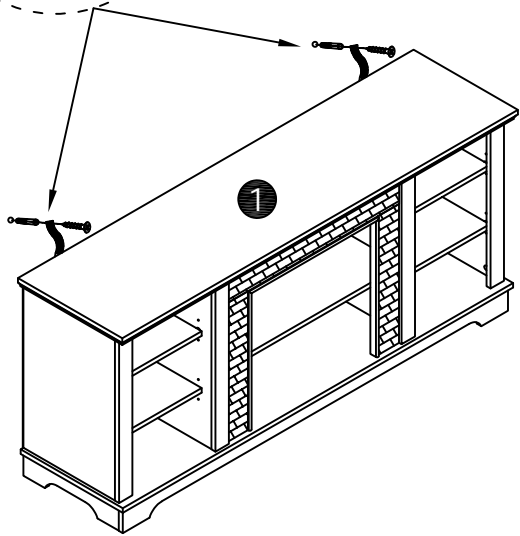
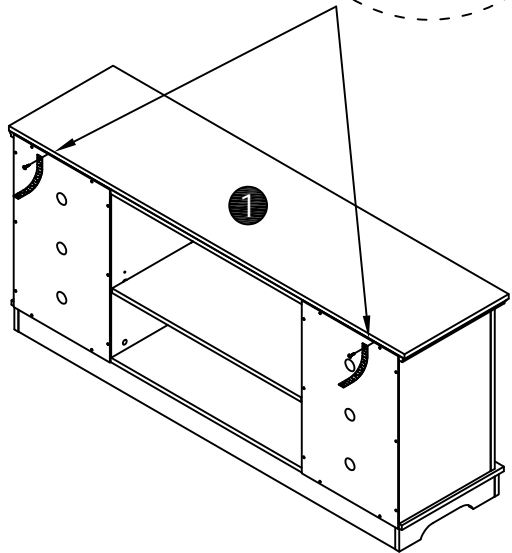
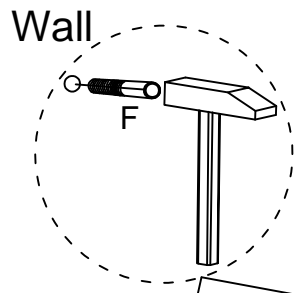
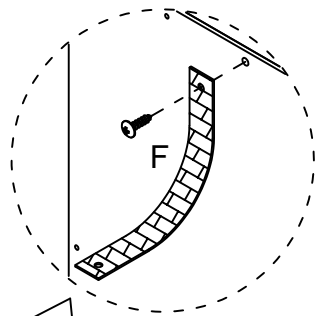
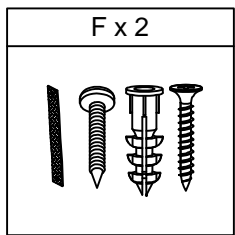
I x 20



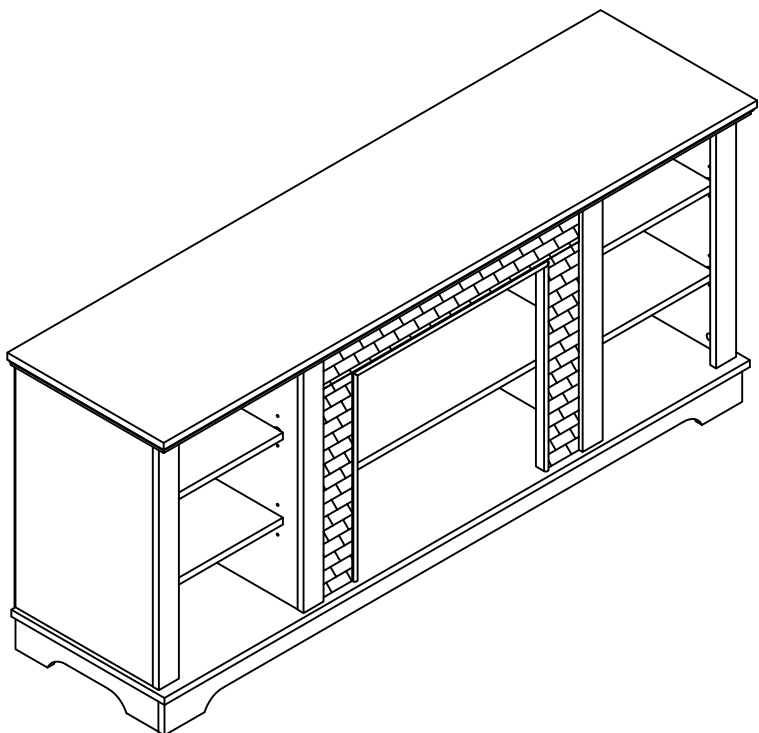
Ø3.5*12mm

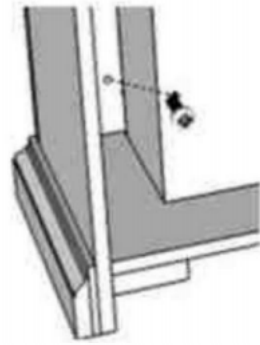
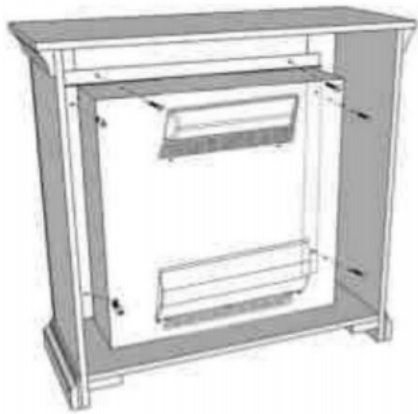


STEP21



STEP22





FIREPLACE INSTALLATION

If you decide to install the fireplace into the mantel, please remove the middle plate and the laminate bracket first, carefully set the unit from the back of the mantel and center it in the opening.

Check the alignment and attach the unit to the mantel by inserting screws through the drilled holes on the trim to the mantel.

NOTE: Do not attempt to install the unit from the front of the mantel. It will not fit.