

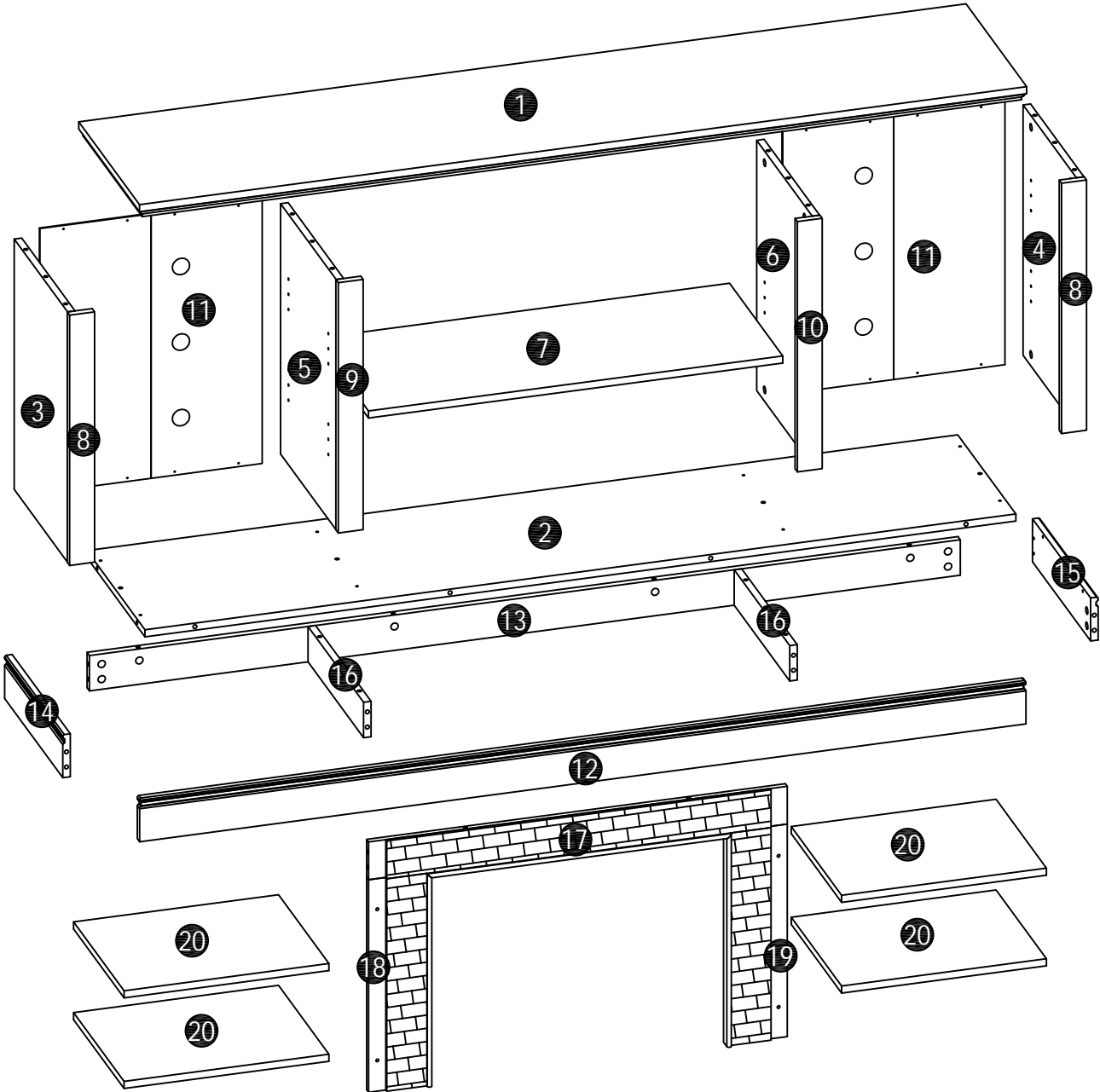
TV Stand w/ Fireplace

Item:YS-019

Assembly Instructions

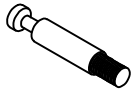
NOTE: This instruction manual contains **IMPORTANT** safety information. Please read carefully before assembling the product

List of Parts



Hardware

A x 62+2



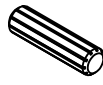
Ø6 x 34mm

B x 62+2



Ø15 x 9mm

C x 10+1



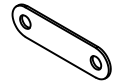
Ø8*30mm

D x 16+2

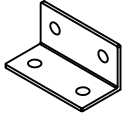


Ø3.5*12mm

E x 2



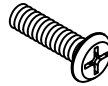
F x 3



G x 20

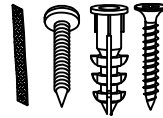


H x 4+1



Ø6*22mm

I x 2



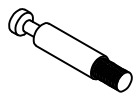
J x 28+2



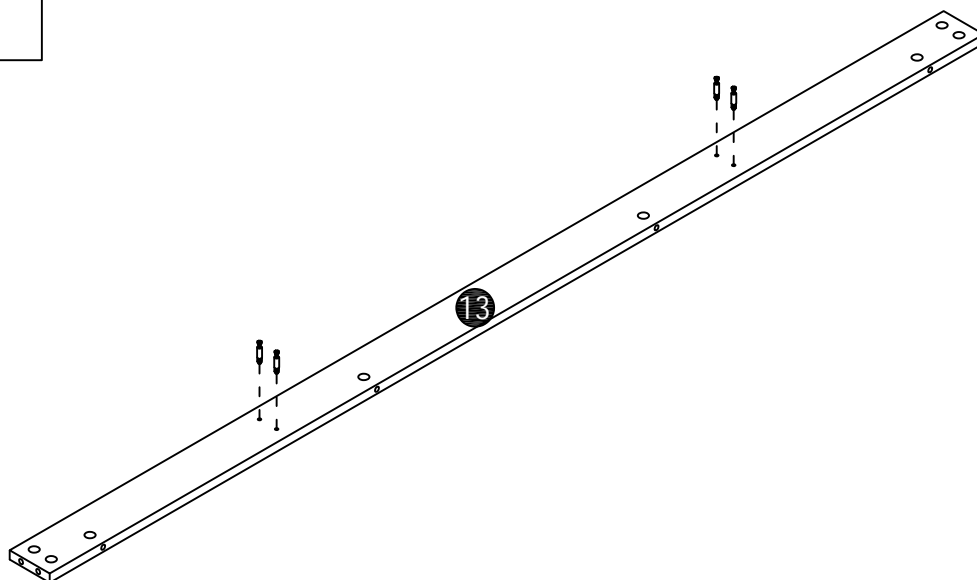
Ø3.5*12mm

STEP1

A x 4



Ø6 x 34mm

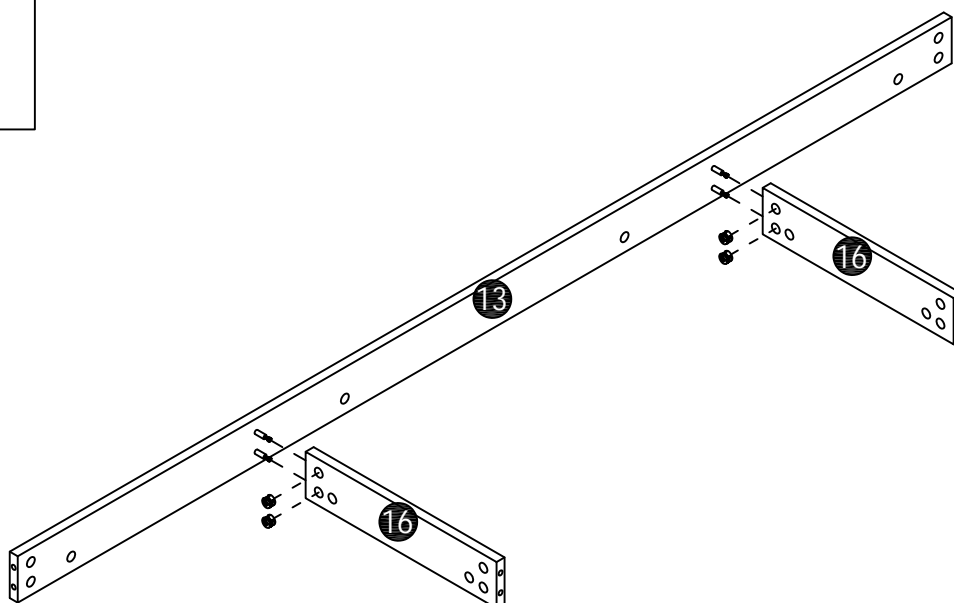


STEP2

B x 4

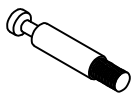


Ø15 x 9mm

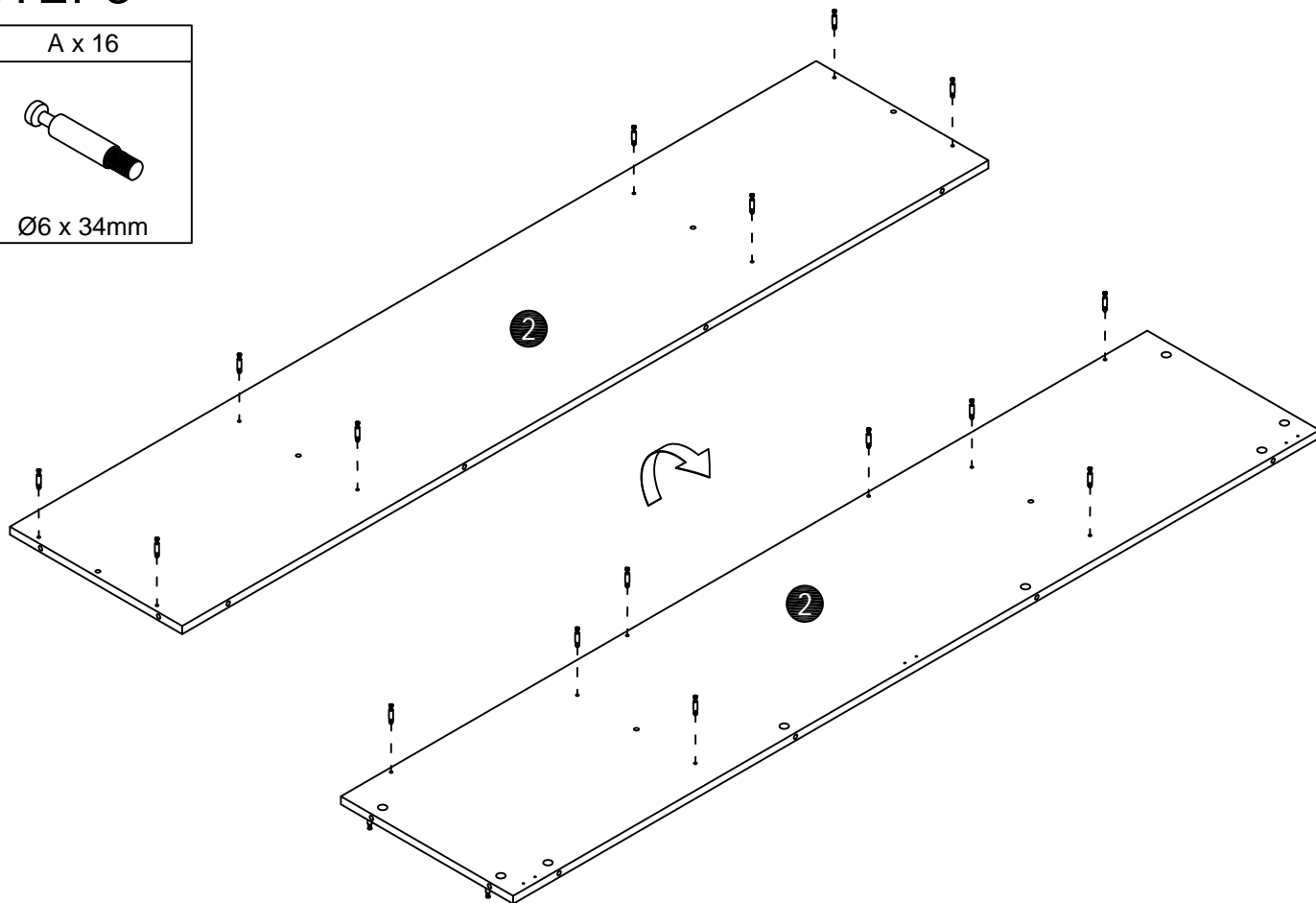


STEP3

A x 16



Ø6 x 34mm



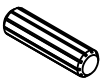
STEP4

B x 8

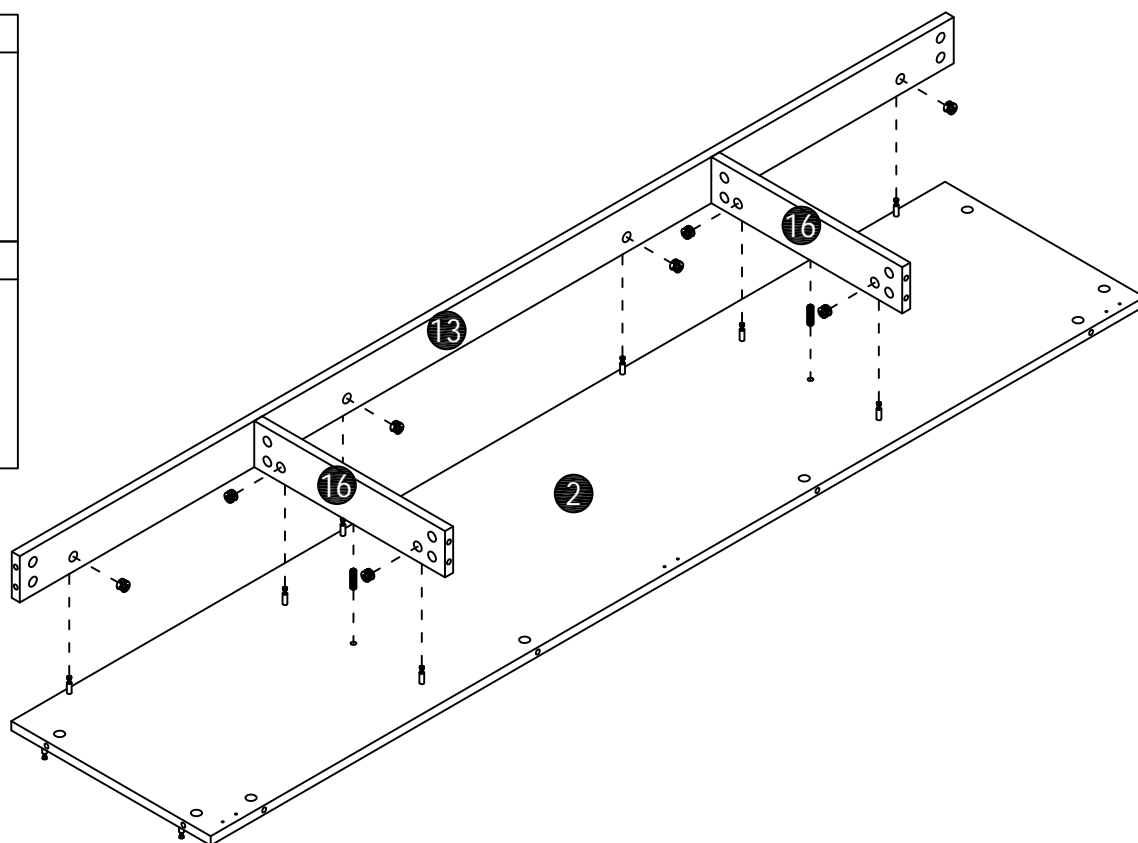


Ø15 x 9mm

C x 2

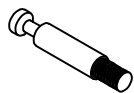


Ø8*30mm

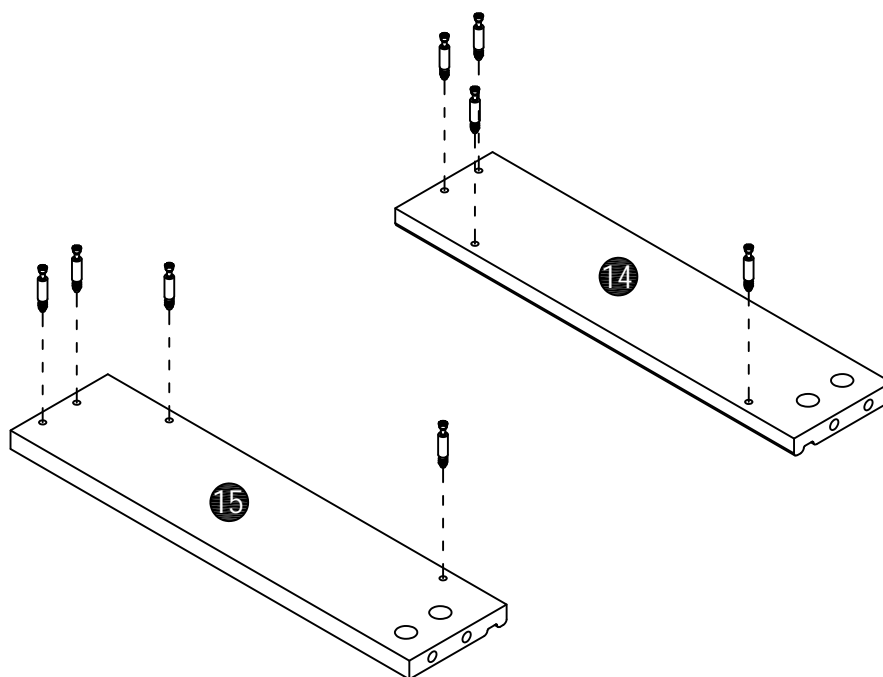


STEP5

A x 8



Ø6 x 34mm

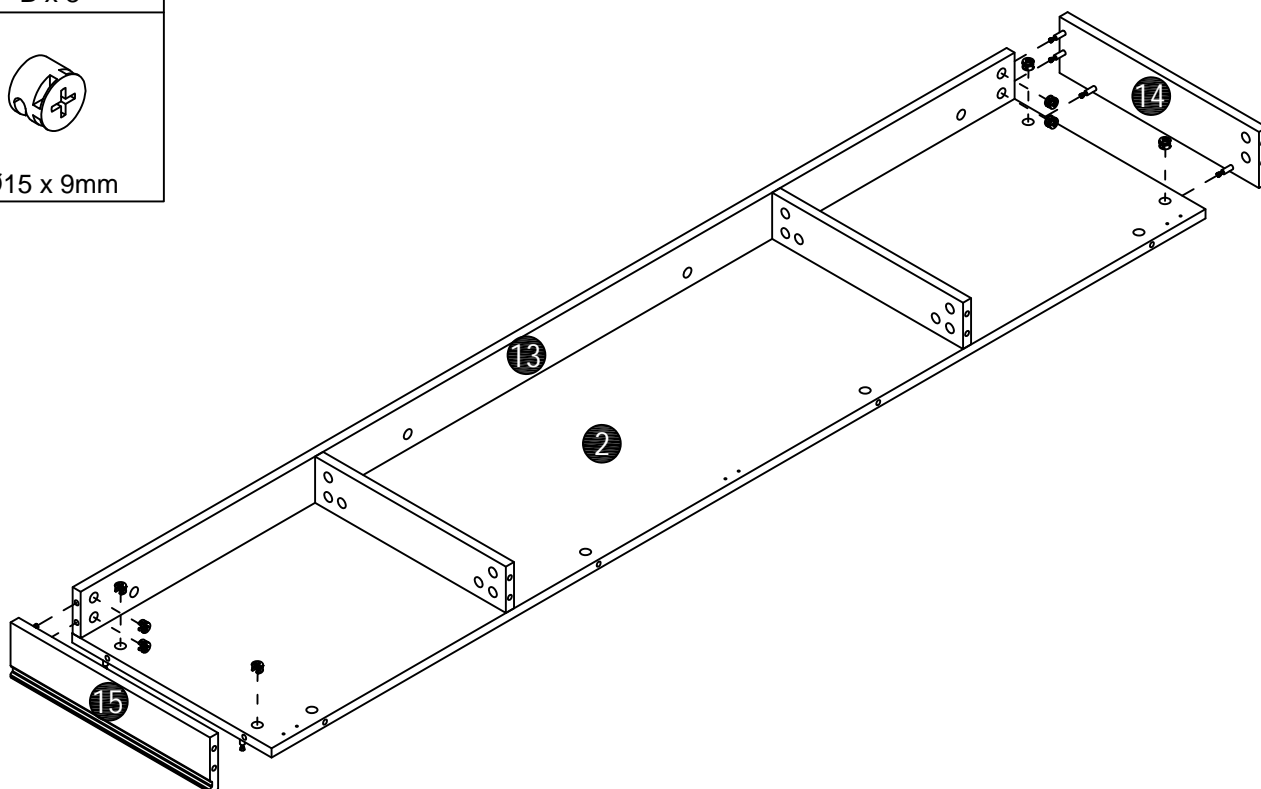


STEP6

B x 8

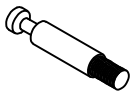


Ø15 x 9mm

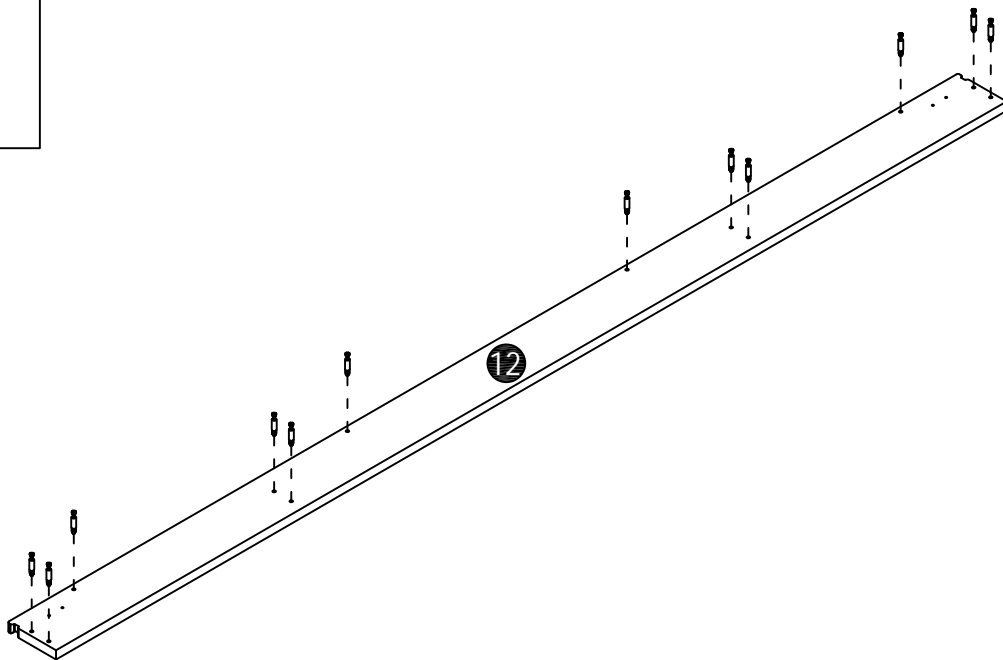


STEP7

A x 12



Ø6 x 34mm

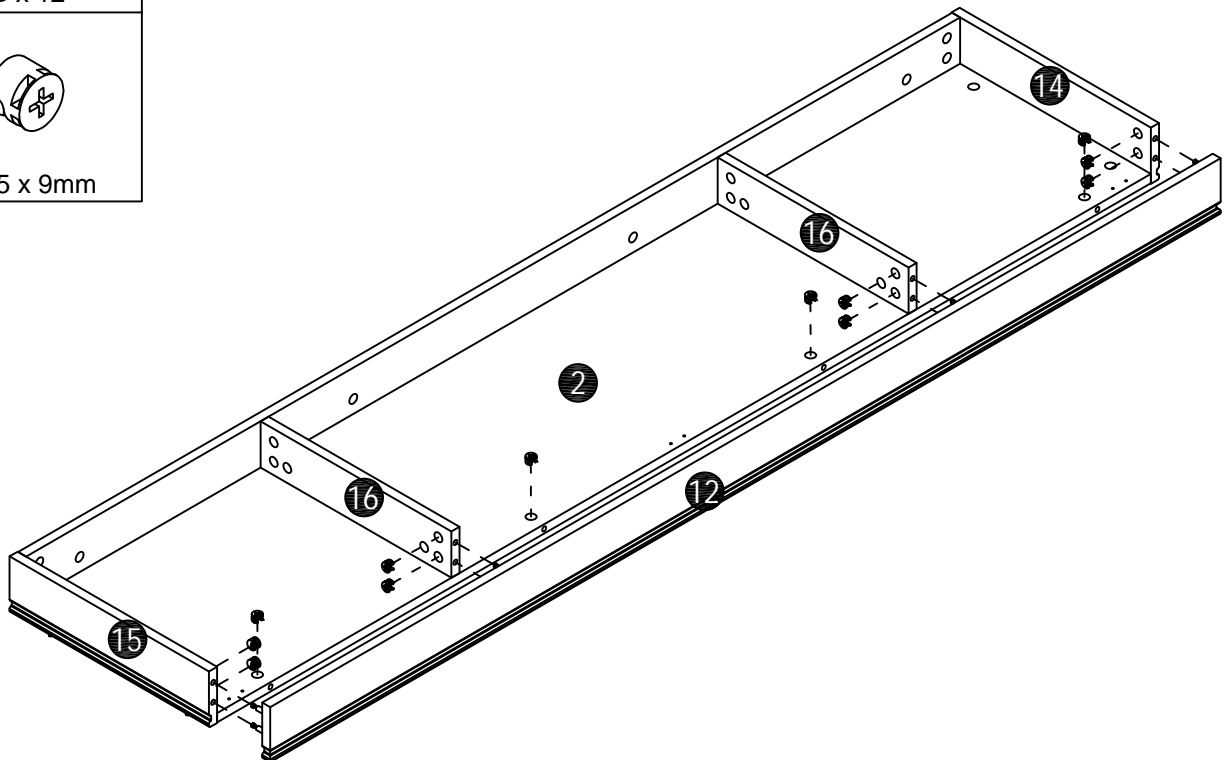


STEP8

B x 12



Ø15 x 9mm



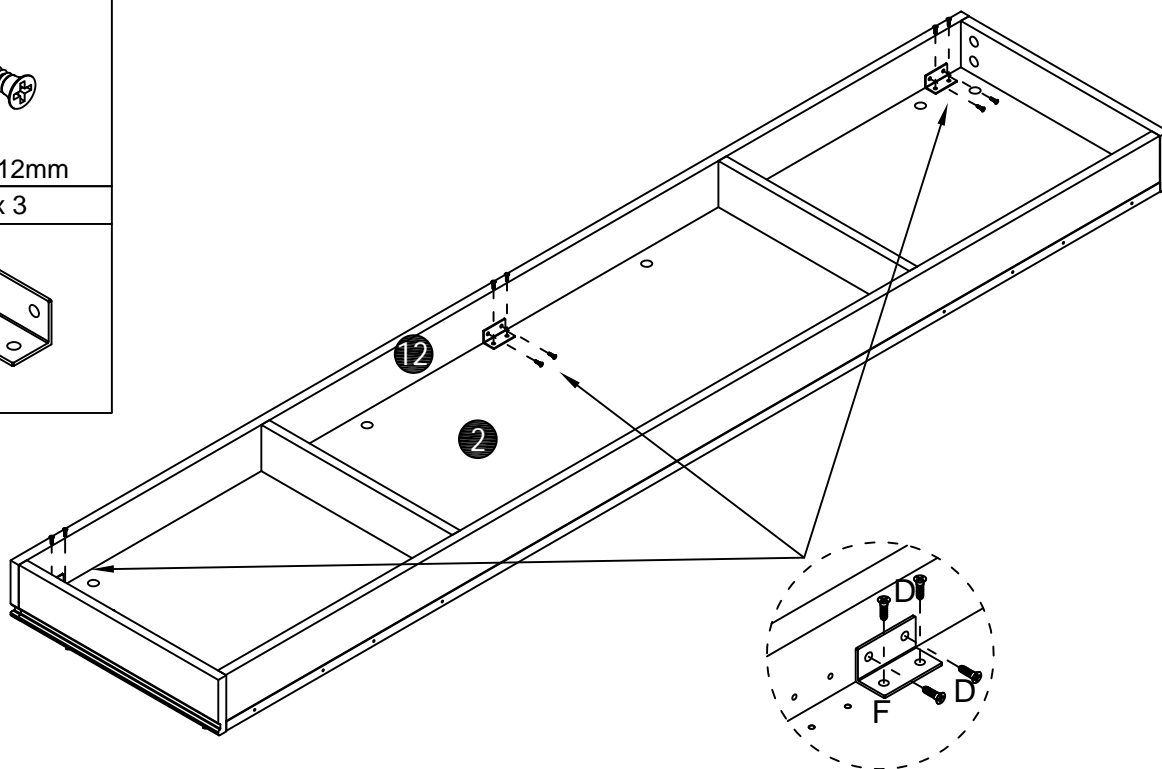
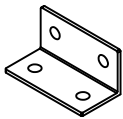
STEP9

D x 12



Ø3.5*12mm

F x 3

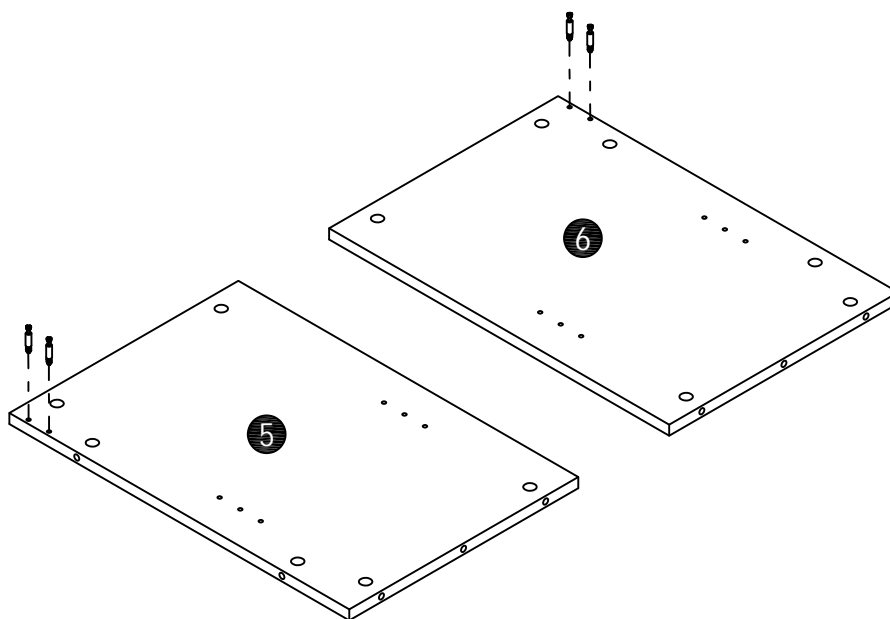


STEP10

A x 4

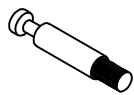


Ø6 x 34mm

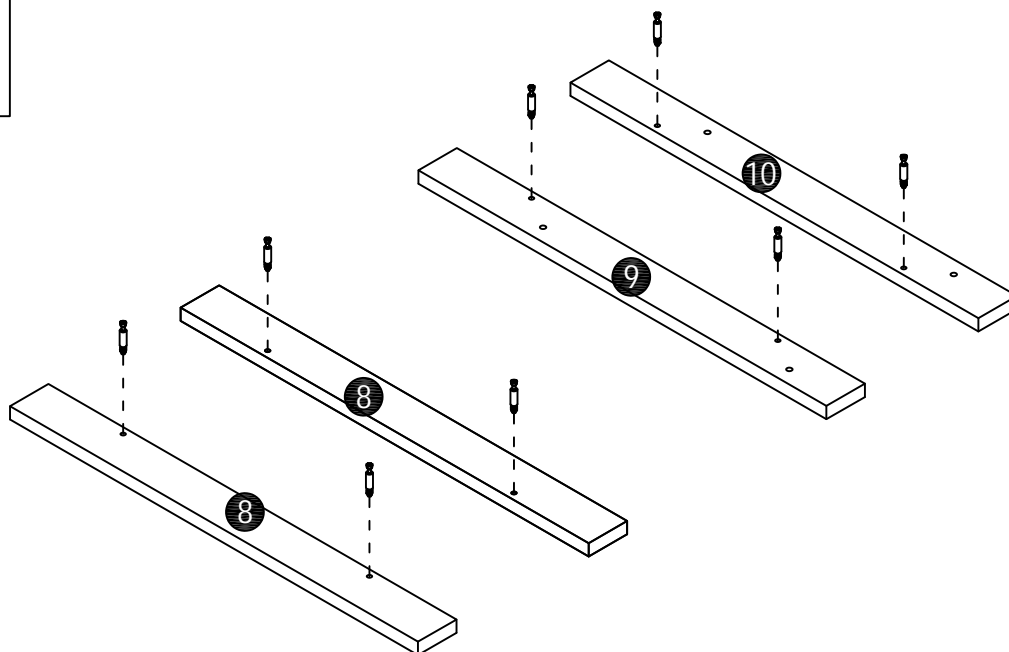


STEP11

A x 8



Ø6 x 34mm

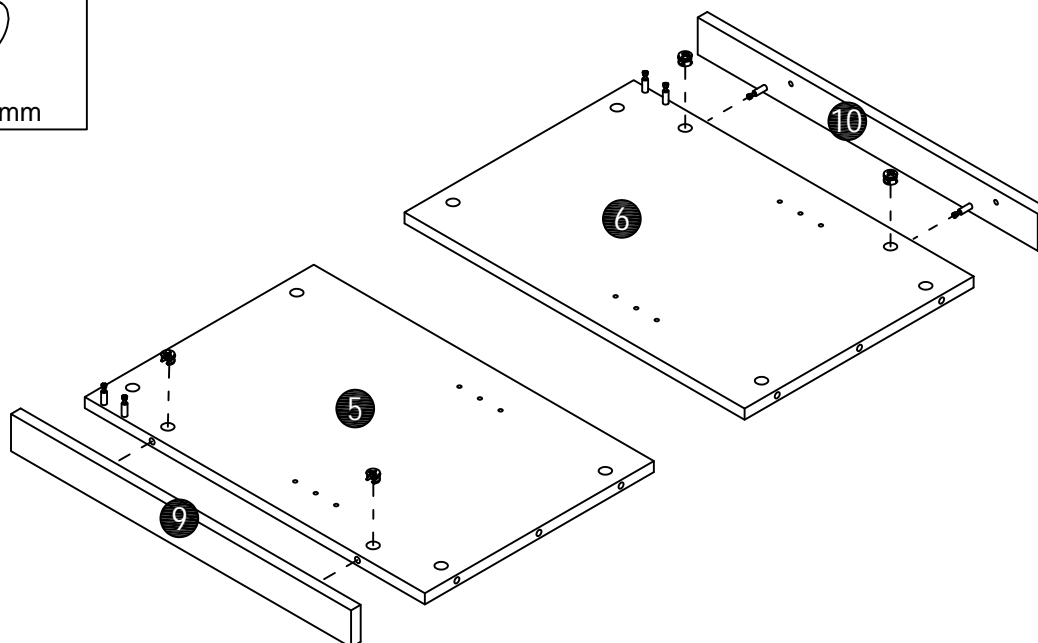


STEP12

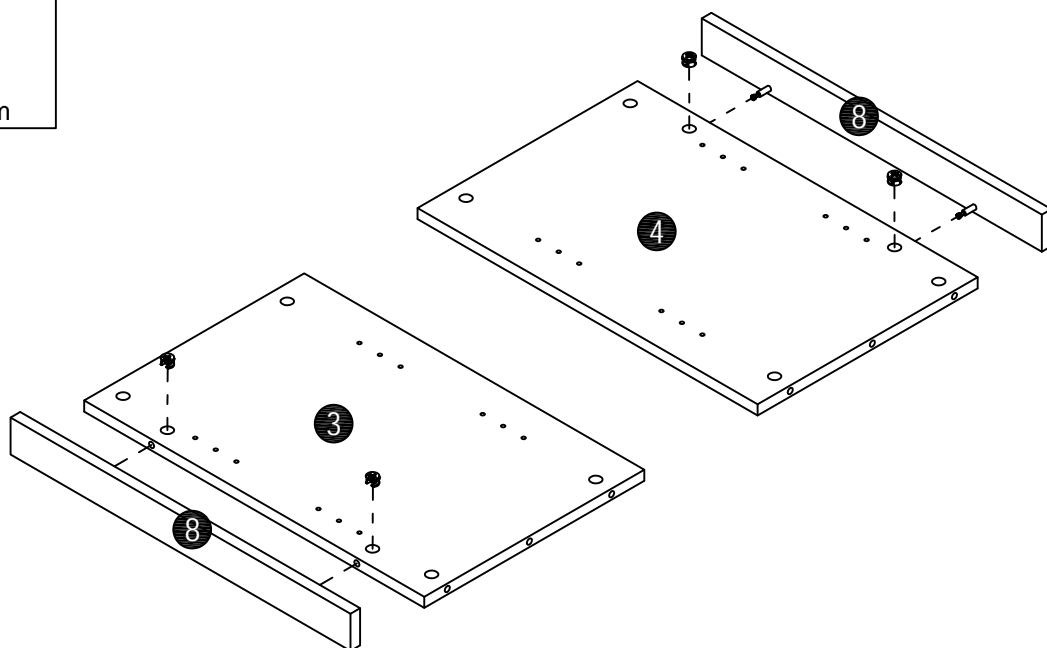
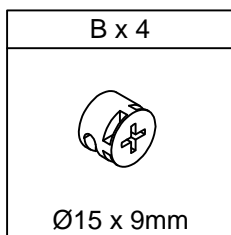
B x 4



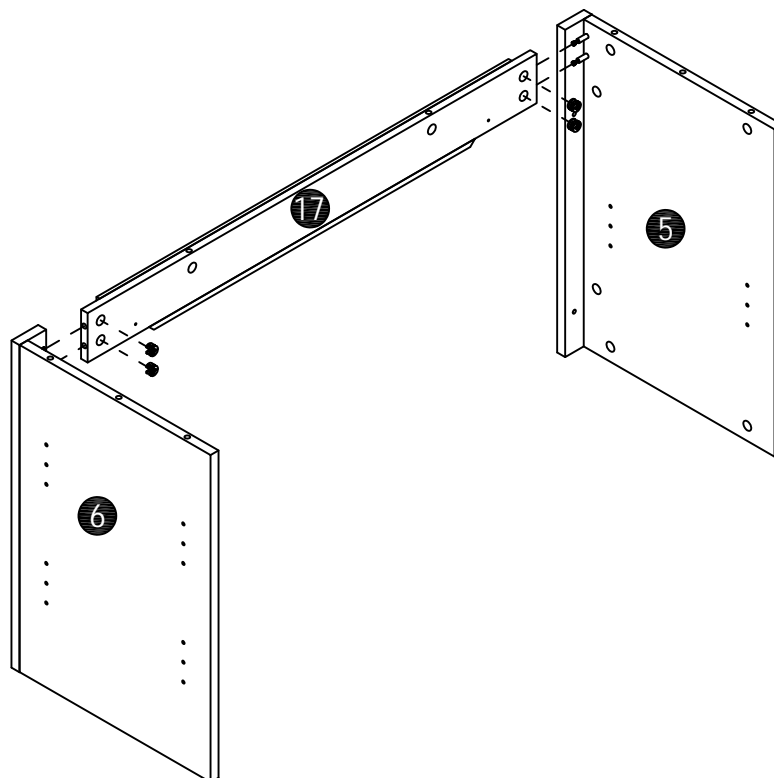
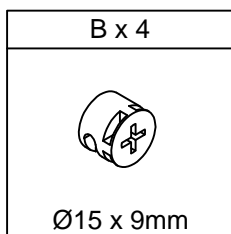
Ø15 x 9mm



STEP13



STEP14



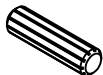
STEP15

B x 8

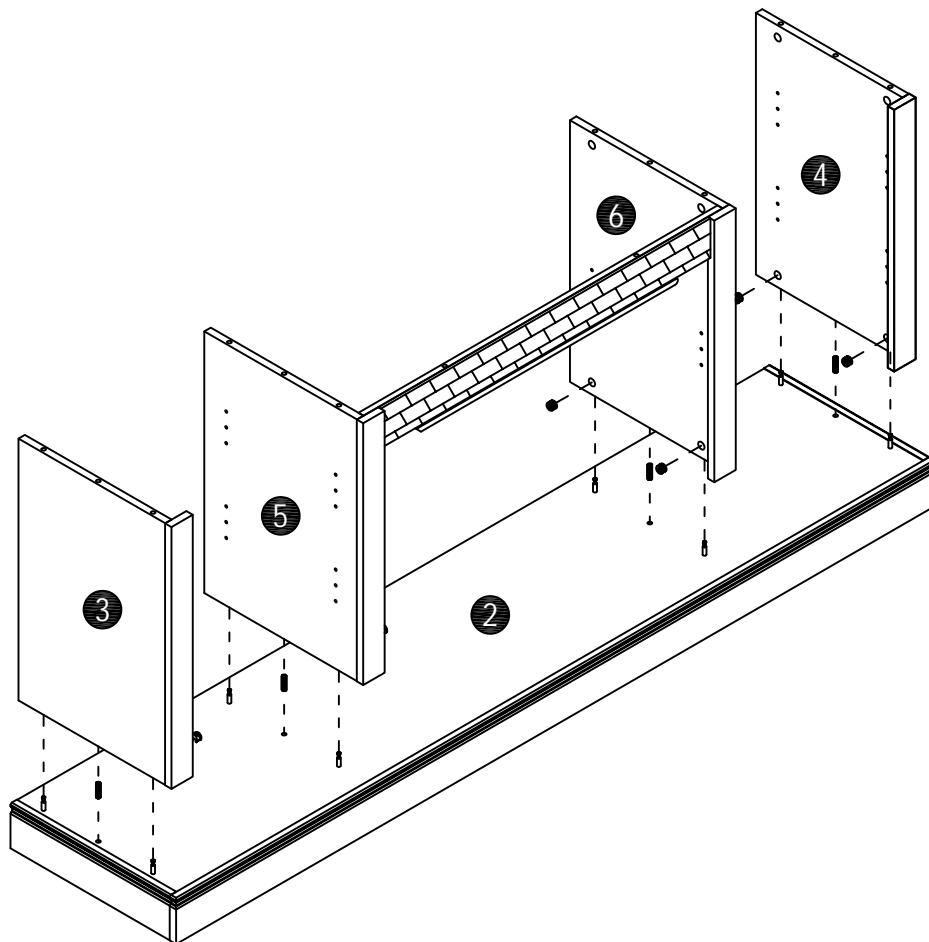


Ø15 x 9mm

C x 4



Ø8*30mm

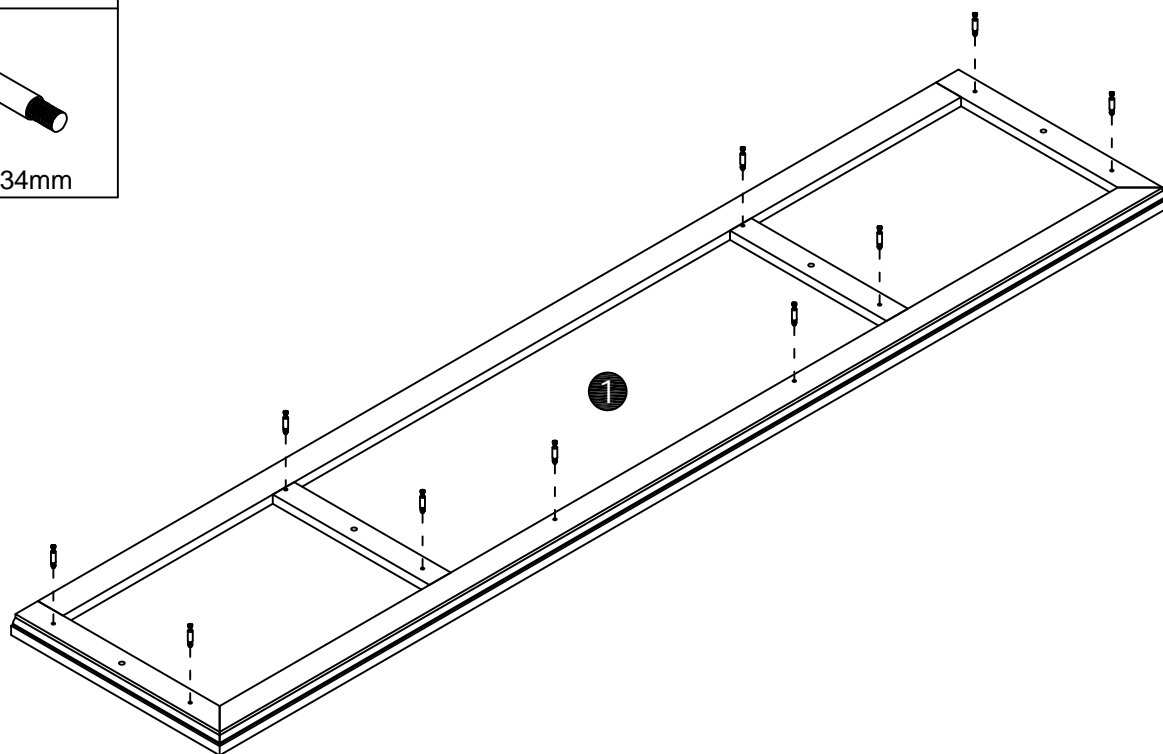


STEP16

A x 10



Ø6 x 34mm



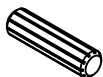
STEP17

B x 10

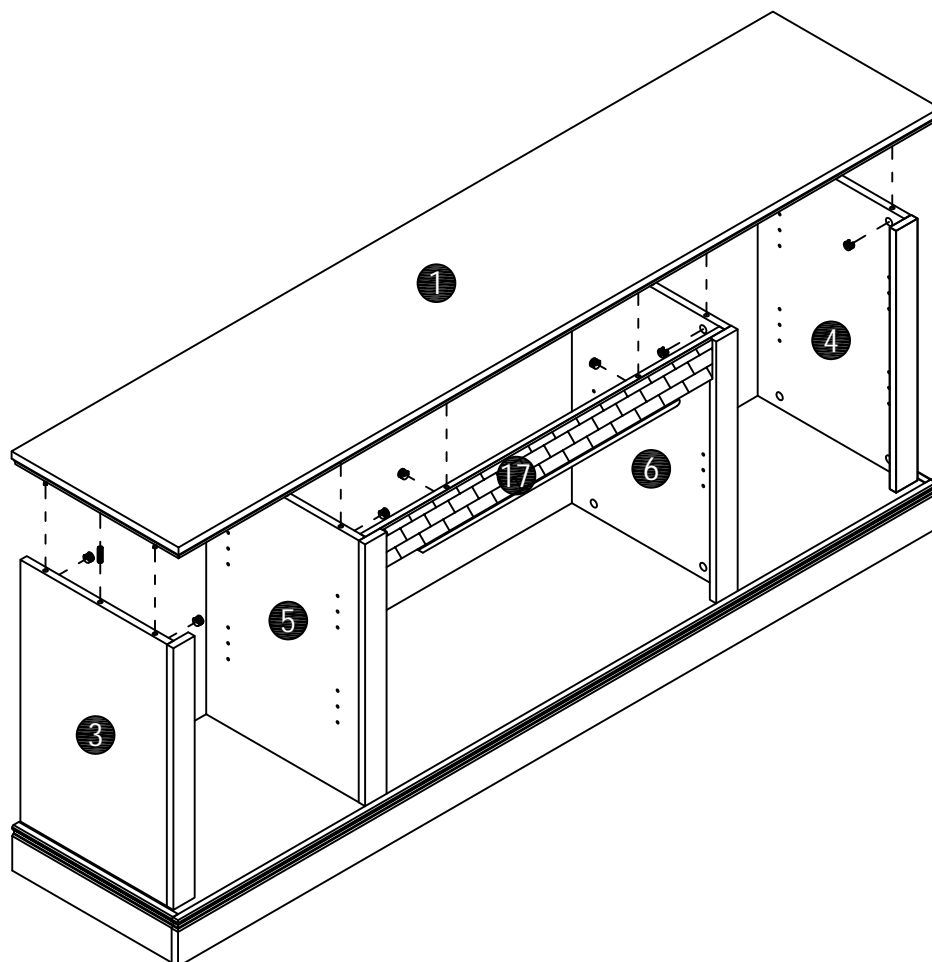


Ø15 x 9mm

C x 4

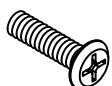


Ø8*30mm

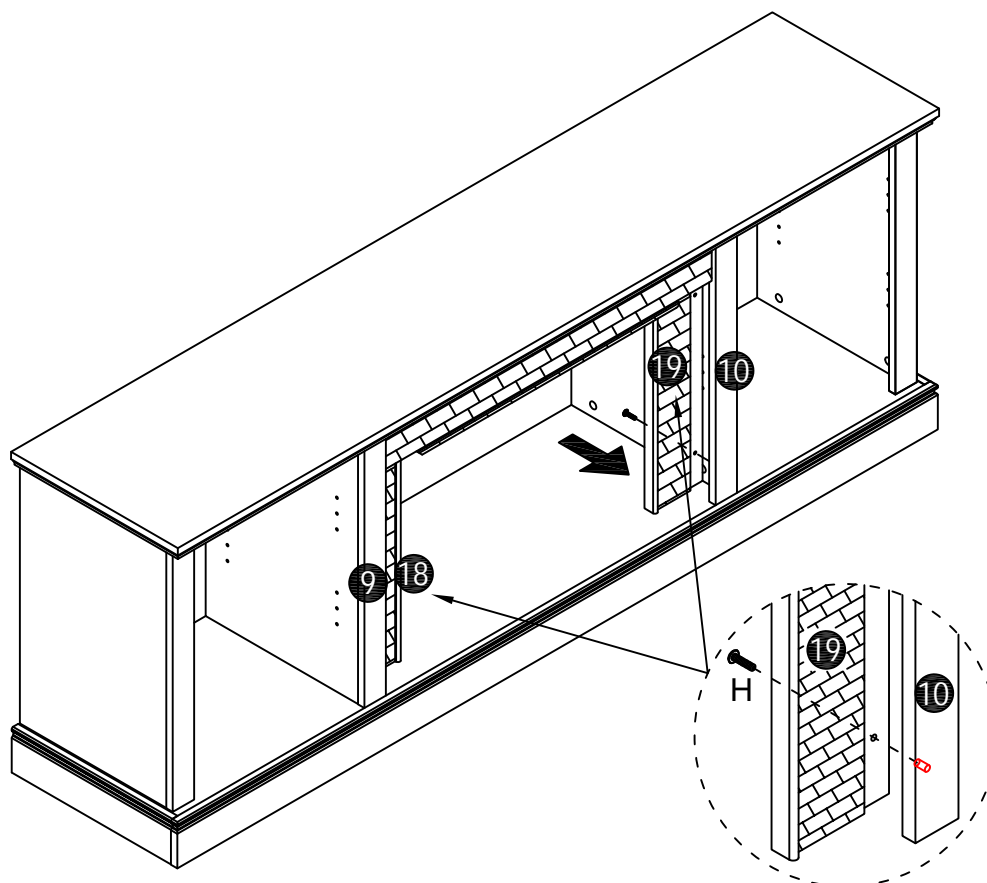


STEP18


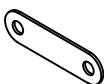
H x 4

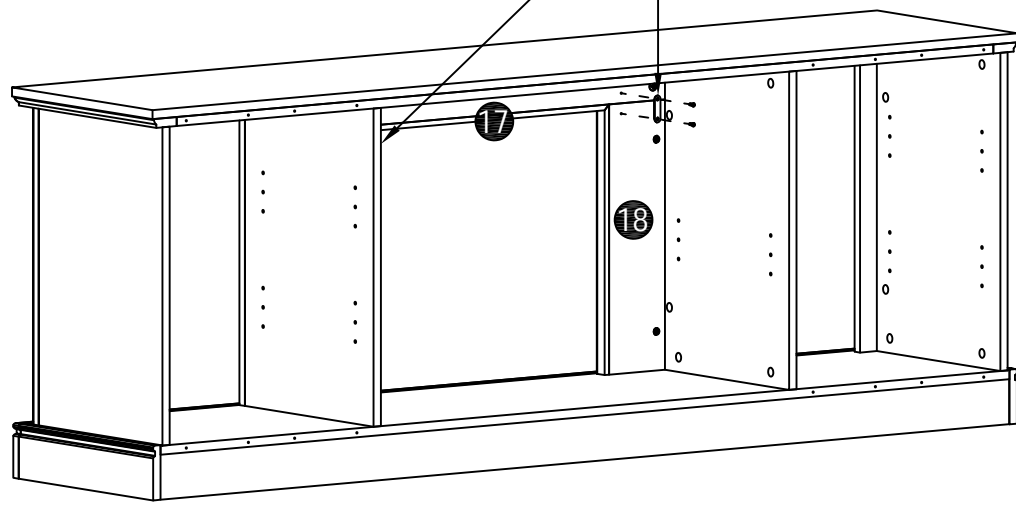
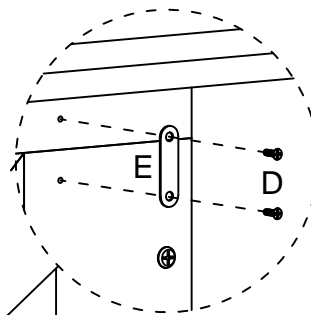


Ø6*22mm




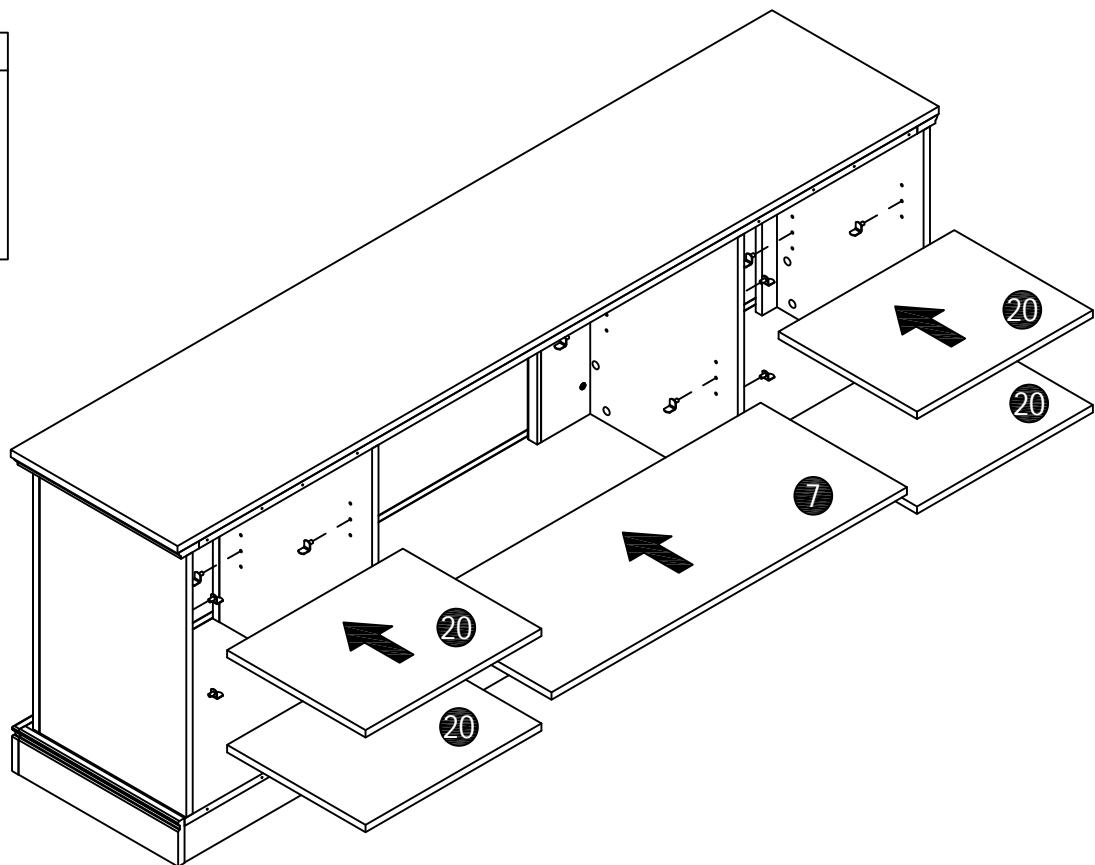
STEP19

D x 4	E x 2
	
Ø3.5*12mm	



STEP20

G x 20


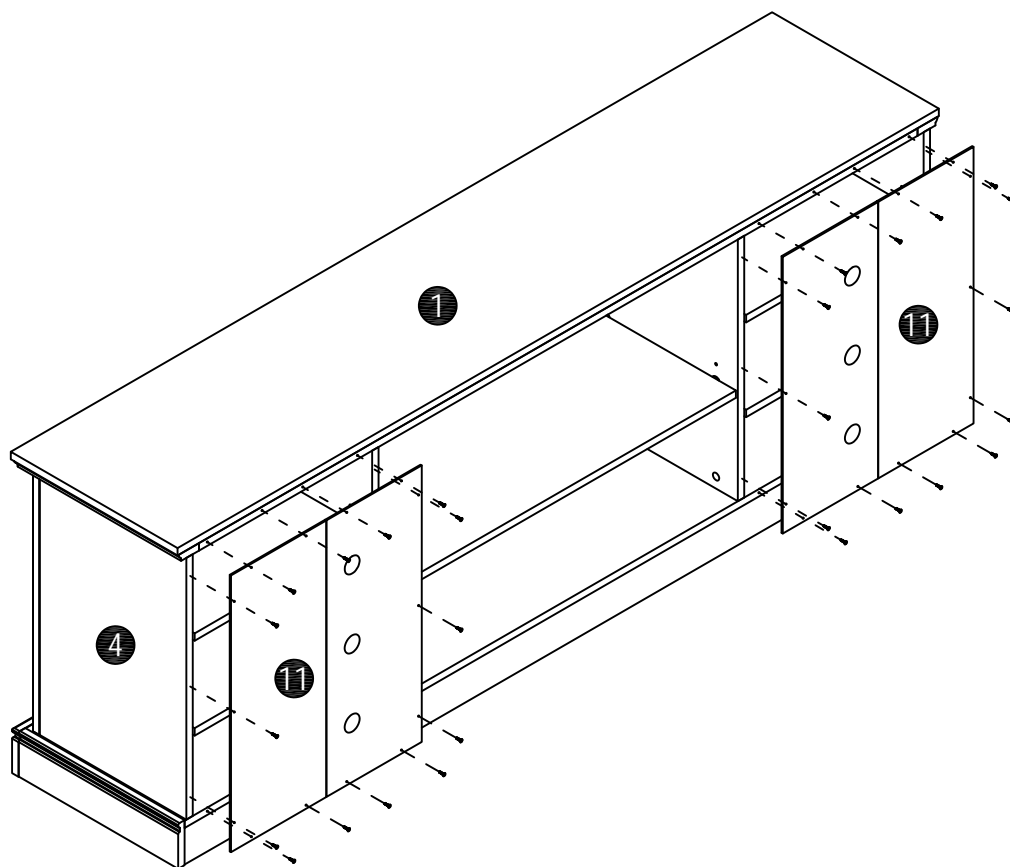


STEP21

J x 28

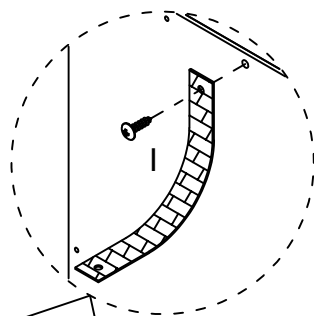
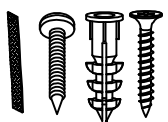


Ø3.5*12mm

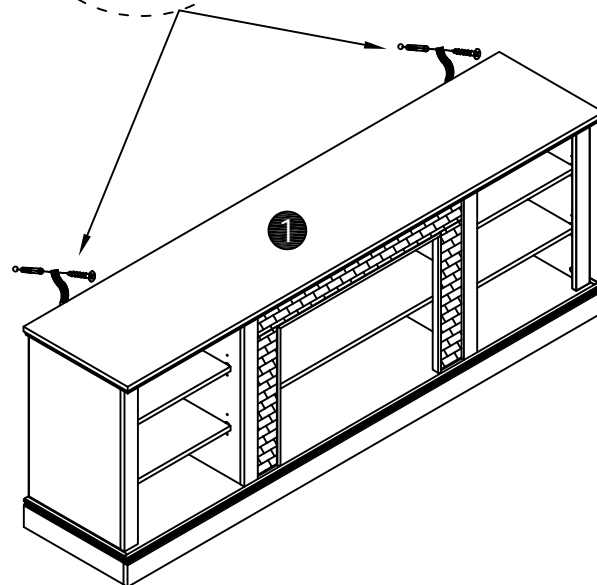
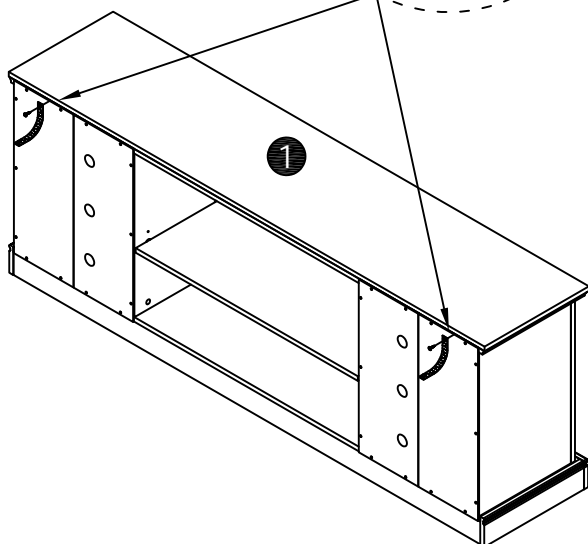
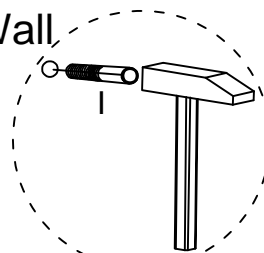


STEP22

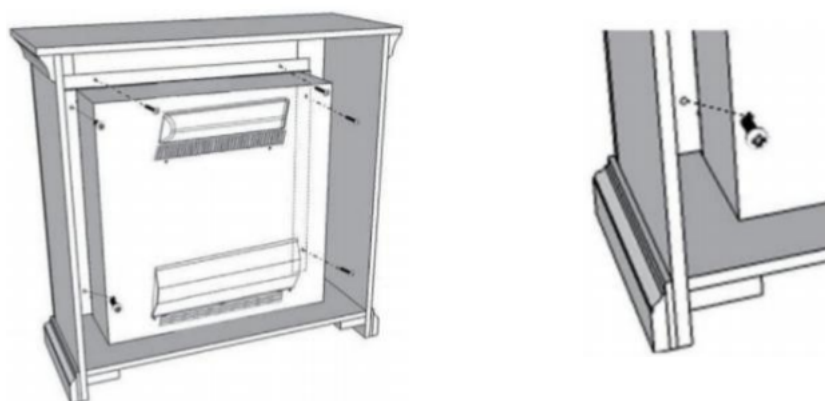
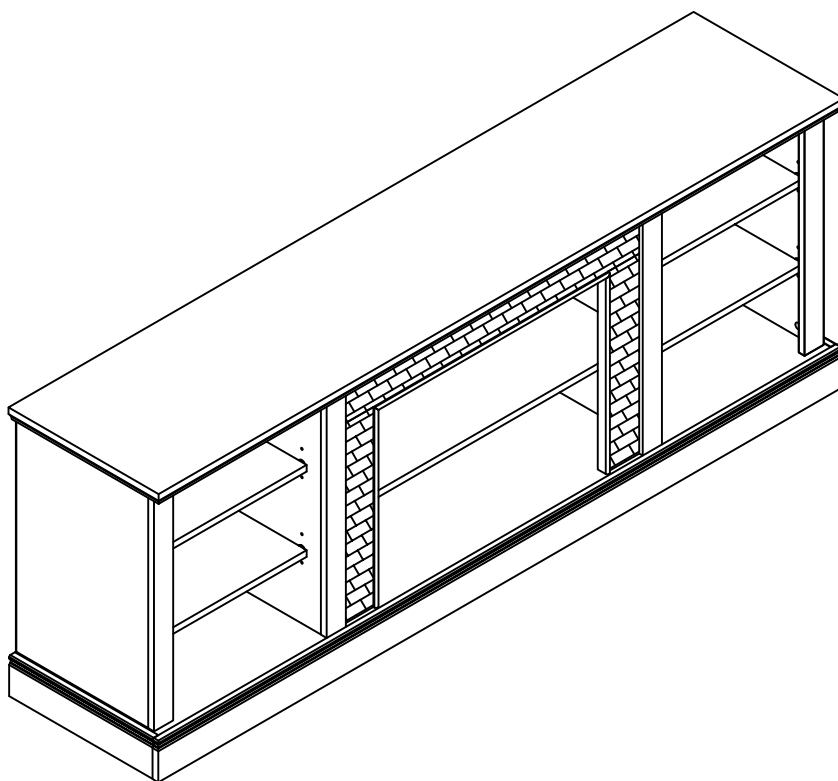
1 x 2



Wall



STEP23



FIREPLACE INSTALLATION

If you decide to install the fireplace into the mantel, please remove the middle plate and the laminate bracket first, carefully set the unit from the back of the mantel and center it in the opening.

Check the alignment and attach the unit to the mantel by inserting screws through the drilled holes on the trim to the mantel.

NOTE: Do not attempt to install the unit from the front of the mantel. It will not fit.