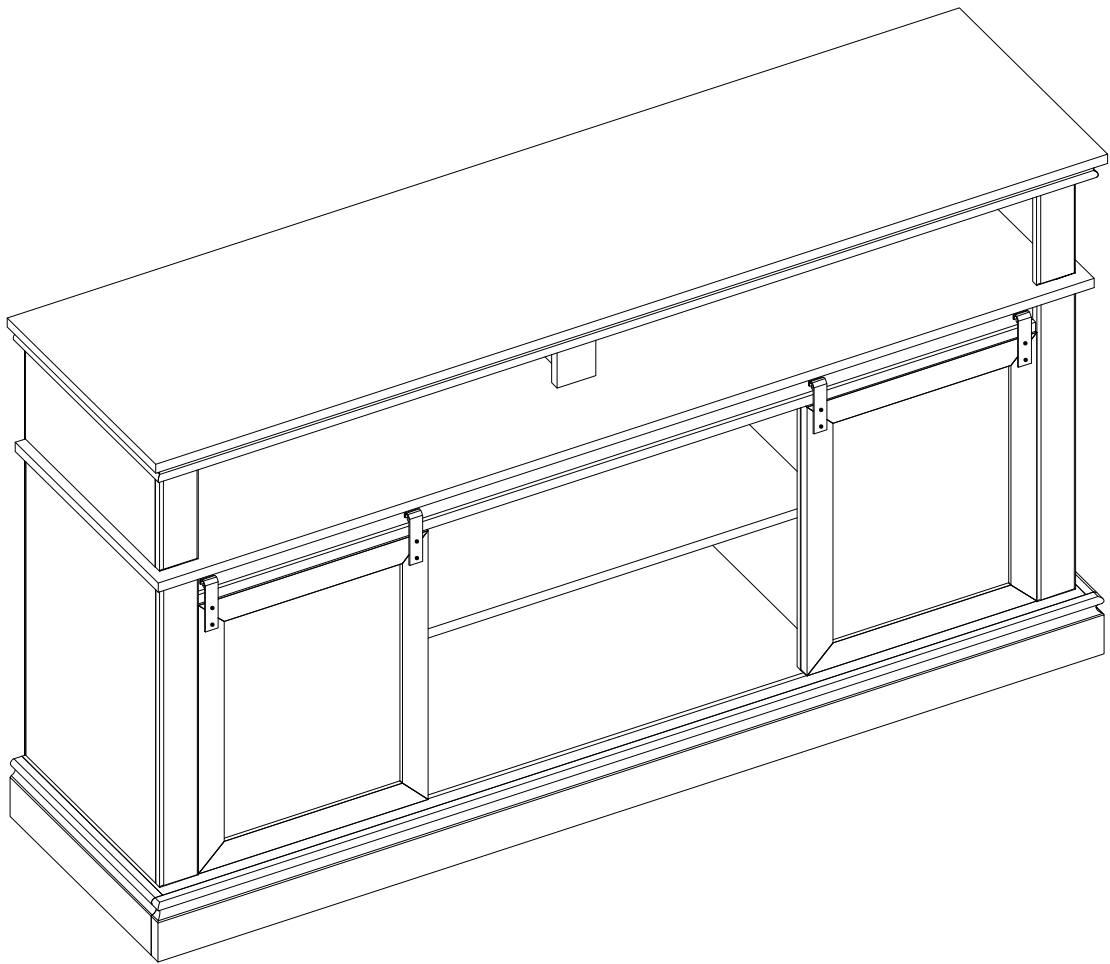


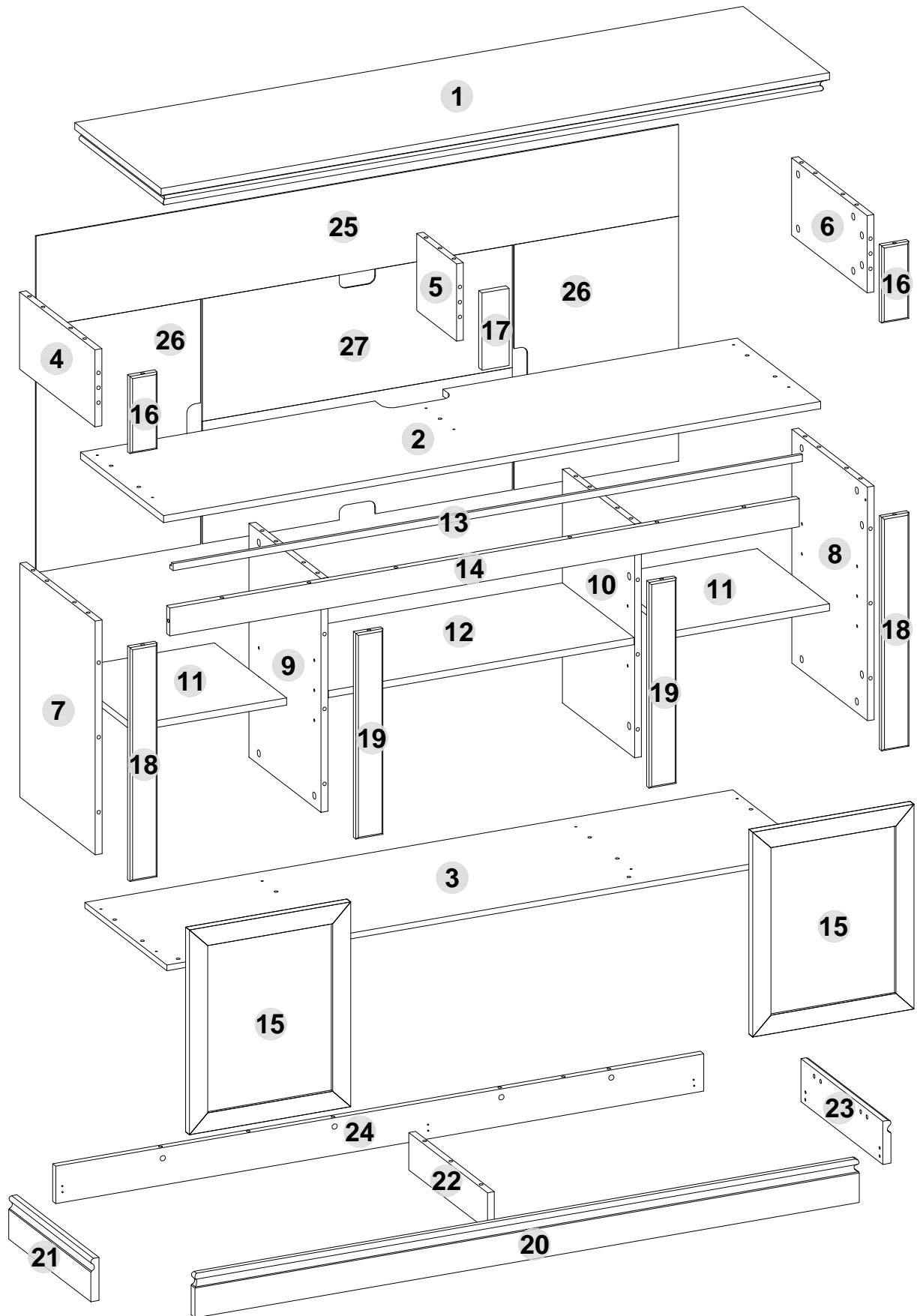
Sliding Door TV Stand w/Fireplace

Item : JX-009

Assembly Instructions



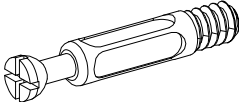
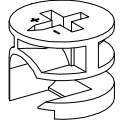

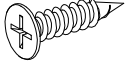
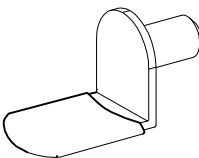
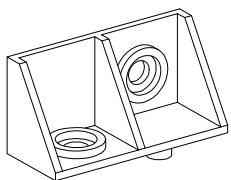
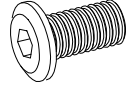
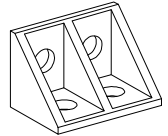
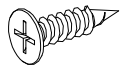
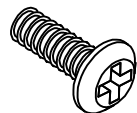

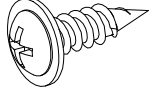

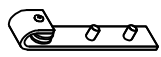
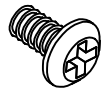
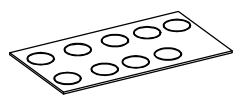
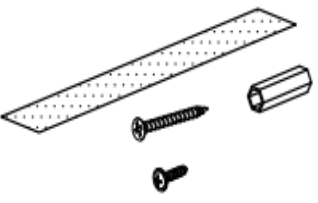
PACKAGE INCLUDE

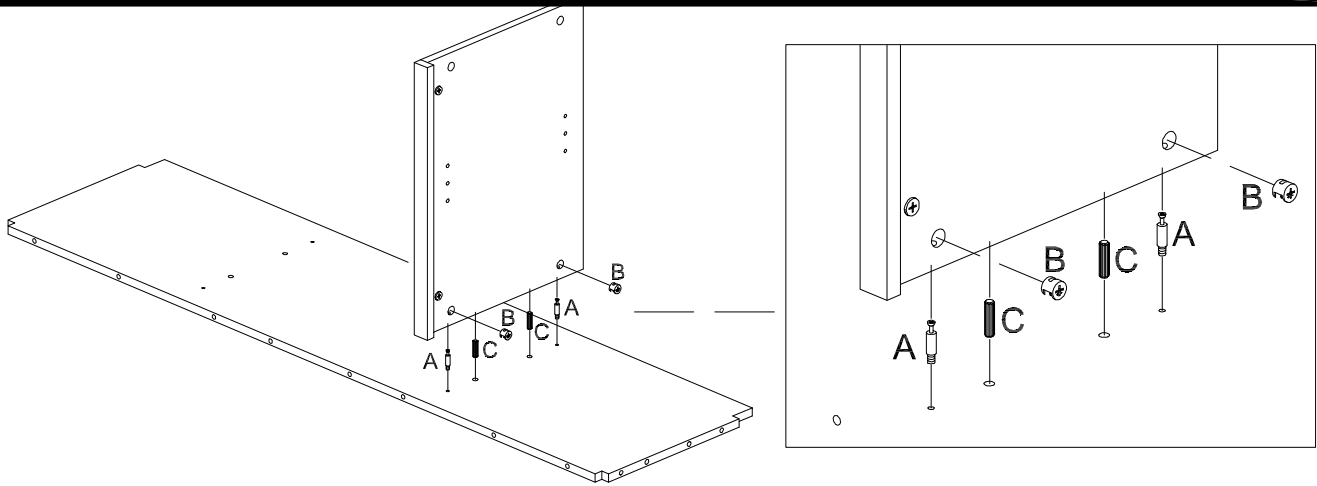


PART IDENTIFICATION

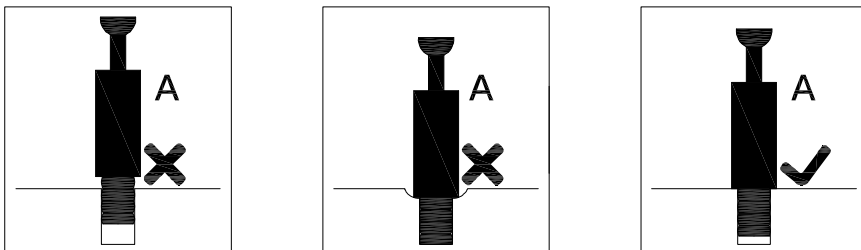
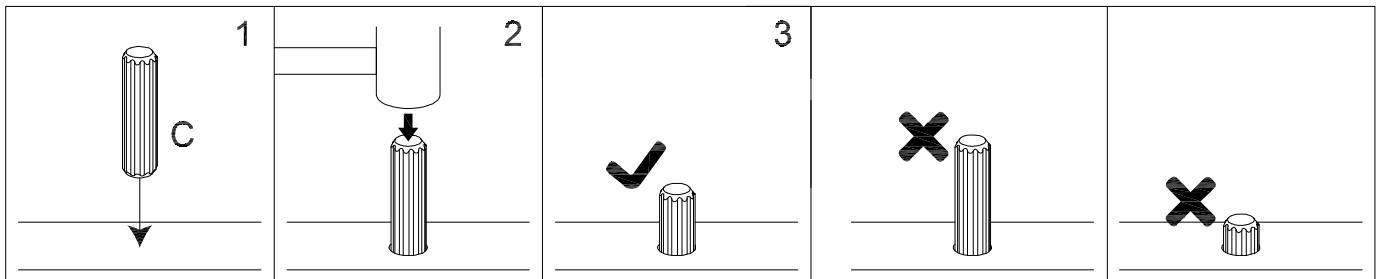
CODE	DESCRIPTION	QTY
1	Top panel	1
2	Middle shelf	1
3	Bottom panel	1
4	Upper Left side panel	1
5	Upper partition panel	1
6	Upper Right side panel	1
7	Lower left side panel	1
8	Lower right side panel	1
9	Lower left partition panel	1
10	Lower right partition panel	1
11	Small adjustable shelf	2
12	Large adjustable shelf	1
13	Upper slide rail	1
14	Upper front baffle	1
15	Sliding door	2
16	Upper front panel	2
17	Upper middle panel	1
18	Lower front panel	2
19	Lower middle panel	2
20	Bace front molding	1
21	Bace left molding	1
22	Bace support	1
23	Bace right molding	1
24	Bace back stretcher	1
25	Upper back panel	1
26	Side back panel	2
27	Middle back panel	1

PACKAGE CONTENT

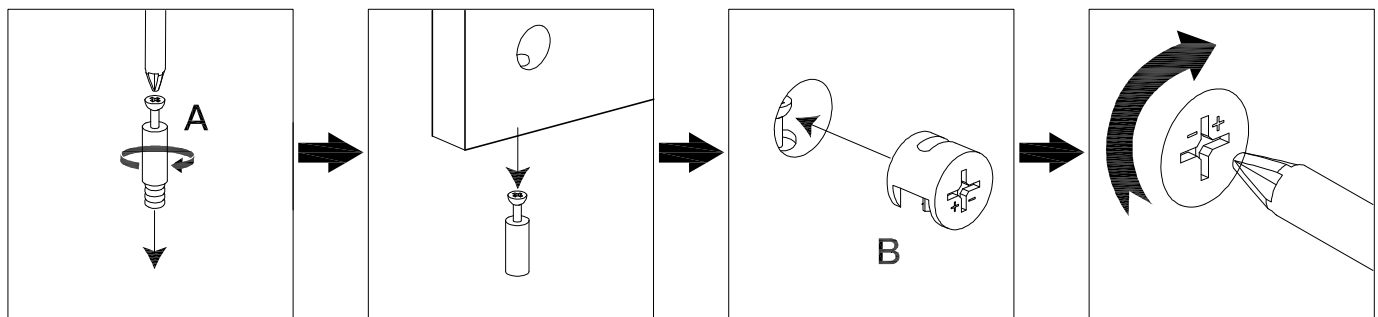
 <p>A 54x+1</p>	 <p>B 54x+1</p>	<p>Ø8x30MM</p>  <p>C 46x+1</p>	<p>Ø3.5x14MM</p>  <p>D 8x+1</p>
 <p>E 12x</p>	 <p>F 8x</p>	<p>Ø1/4"x12</p>  <p>G 16x</p>	 <p>H 6x</p>
<p>Ø3.0x12MM</p>  <p>I 24x</p>	<p>M6x25</p>  <p>J 4x</p>	 <p>K 4x</p>	<p>Ø3.5x14MM</p>  <p>L 36x+1</p>
 <p>M 1x</p>	 <p>N 4x</p>	<p>Ø1/4"x</p>  <p>O 8x</p>	 <p>P 8x+1</p>
 <p>Q 2x</p>			



Insert the wood dowel [B] at least half way by tapping lightly with a rubber mallet, IF NECESSARY.



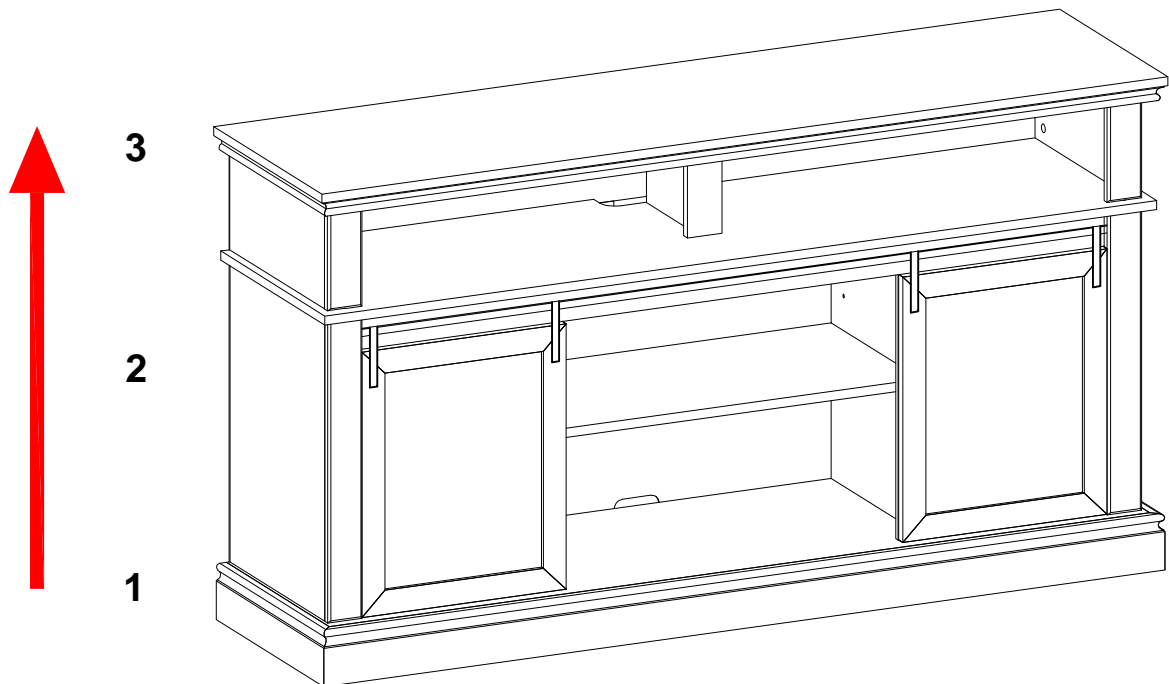
1. Screw the cam bolt [A] into the threaded insert on the panel.
2. Connect both panels together making sure cam bolt [A] goes into the pre-drilled large hole on the end of panel for cam lock [C].
3. Insert the cam lock [C] into the pre-drilled large hole on the panel. Make sure the cross slot of cam lock [C] faces out.
3. Rotate the cam lock [C] clockwise with a self-supplied phillips screwdriver to lock the cam bolt [A] in place.



You are now ready to assemble the TV Stand

It is divided into three parts in total:

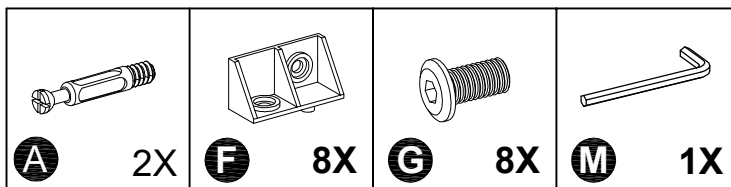
- 1. Install the base part - Base**
- 2. Install the middle part - Body**
- 3. Install the top part - Top**



Warm Tips:

Start the installation from the base to the top.

STEP 1

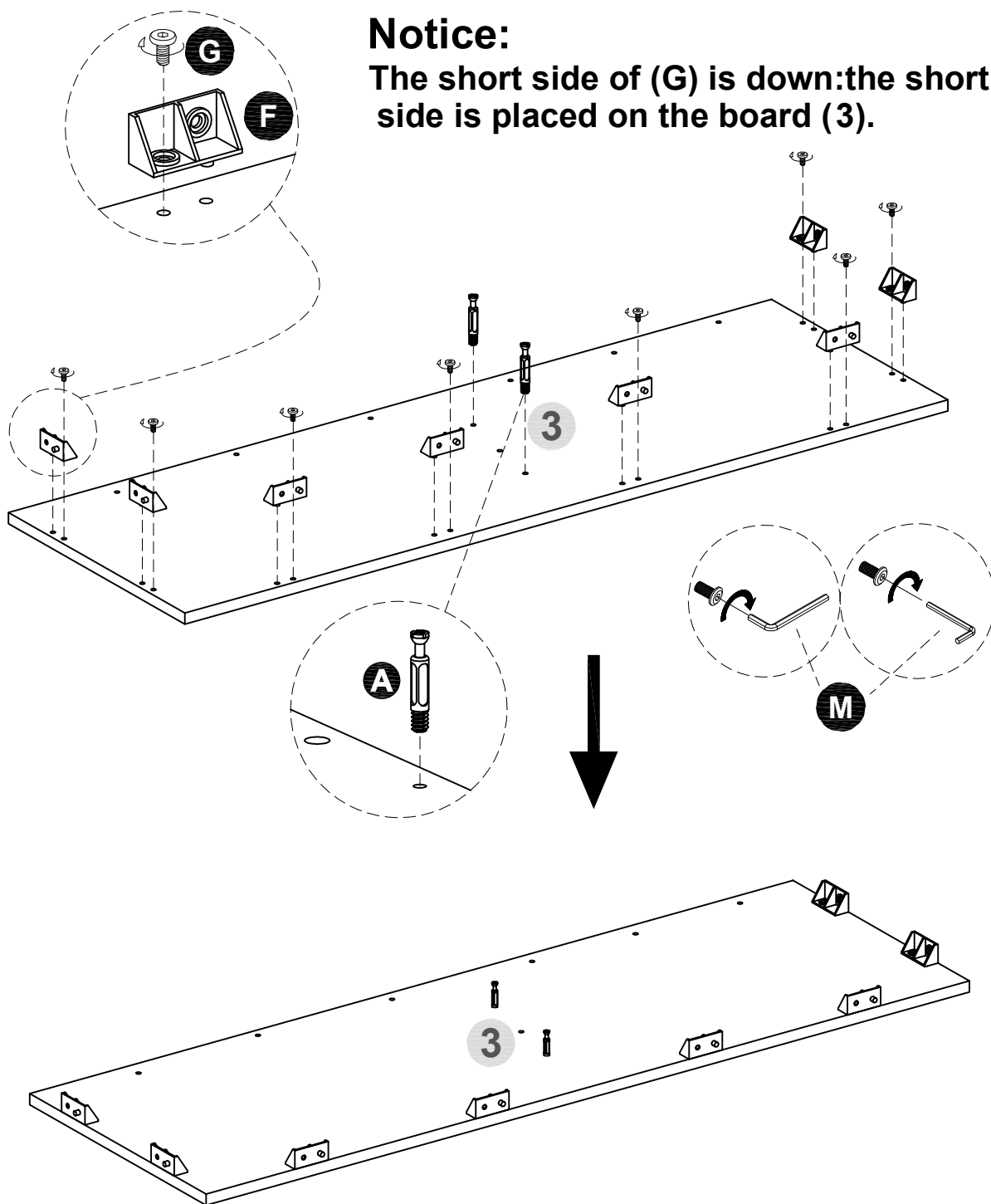


PART 1 - start to assemble the base part

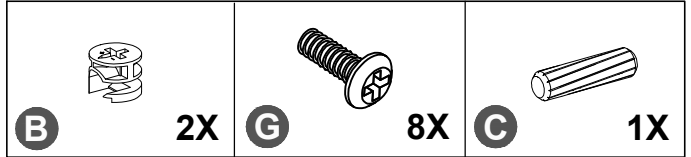
-Screw (G) &(F) to (3) as below shown

Notice:

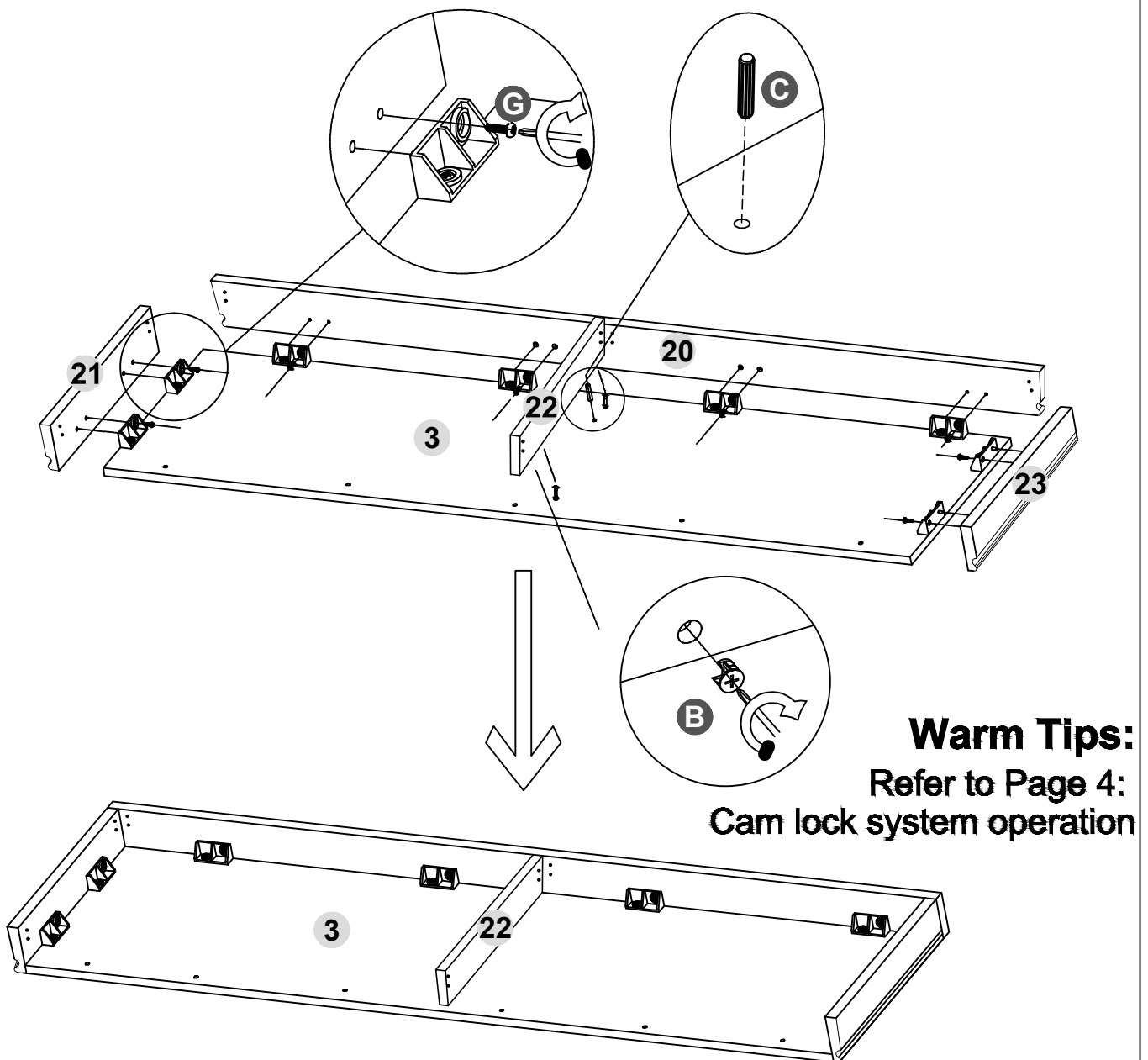
The short side of (G) is down:the short side is placed on the board (3).



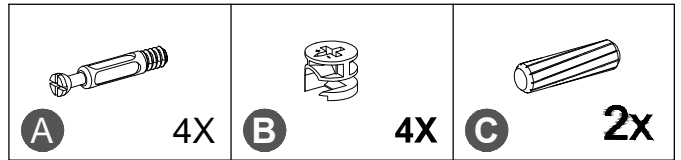
STEP 2



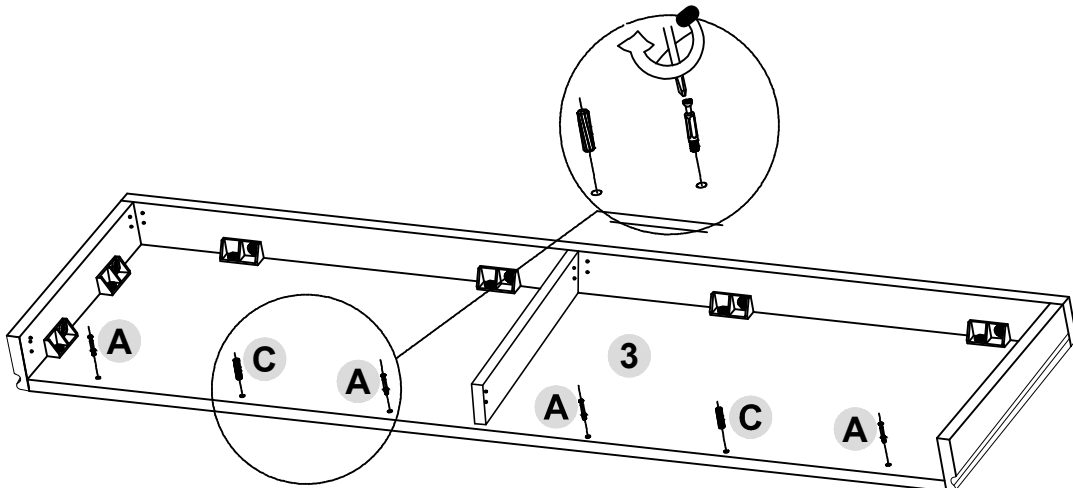
- Attach (20)&(21)&(23) to (3) as below shown
- Screw (G) to (20)&(21)&(23) as below shown
- Screw (C) to (3),and attach (22) to (3) as below shown



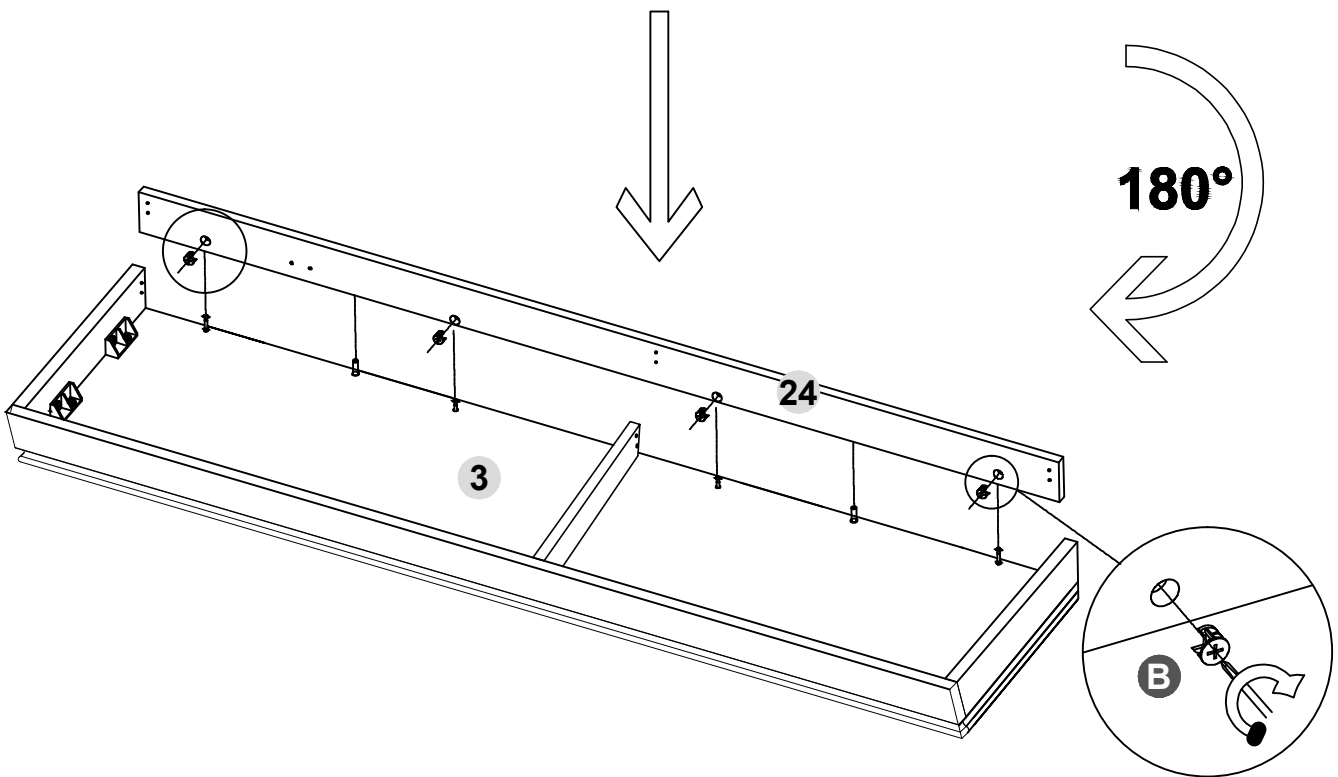
STEP 3



- Screw (A) & (C) to (3) as below shown
- Attach (24) to (3) as below shown

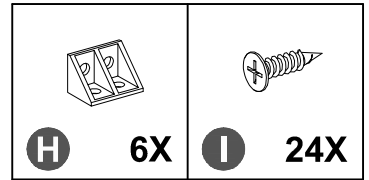


Warm Tips: Notice the position of A and C

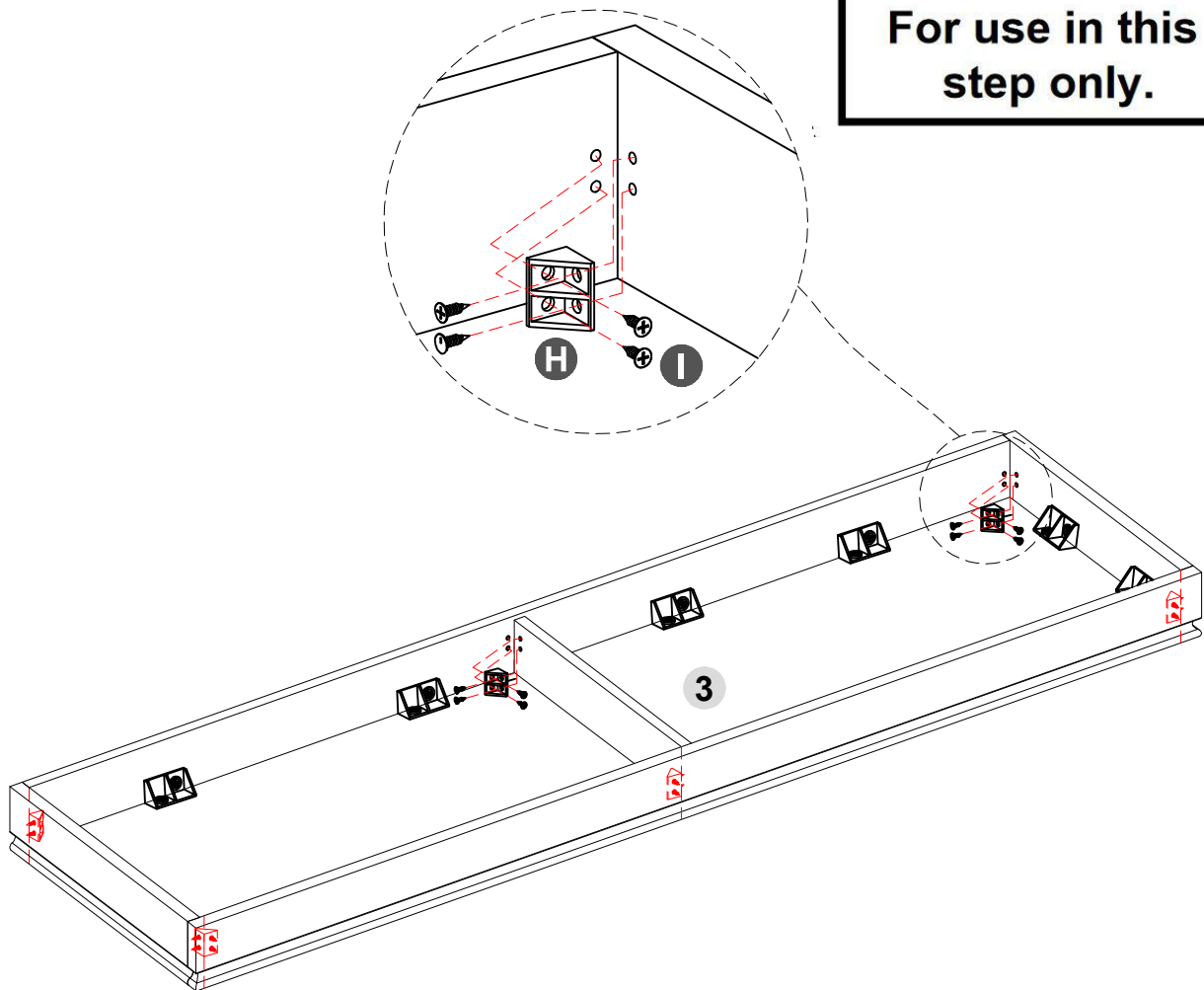


Warm Tips:
Refer to Page 4:
Cam lock system operation

STEP 4



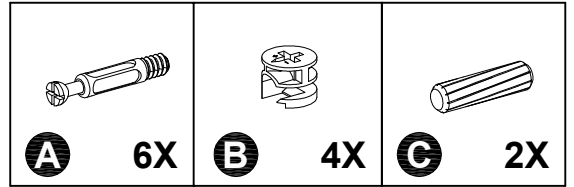
- The last step of installing the base
- Screw (I) to (H) as below shown



Warm Tips:

Tighten all screws(I) make sure that all parts are tight and there are no gaps between the parts,which will help keep the base more sturdy.

STEP 5

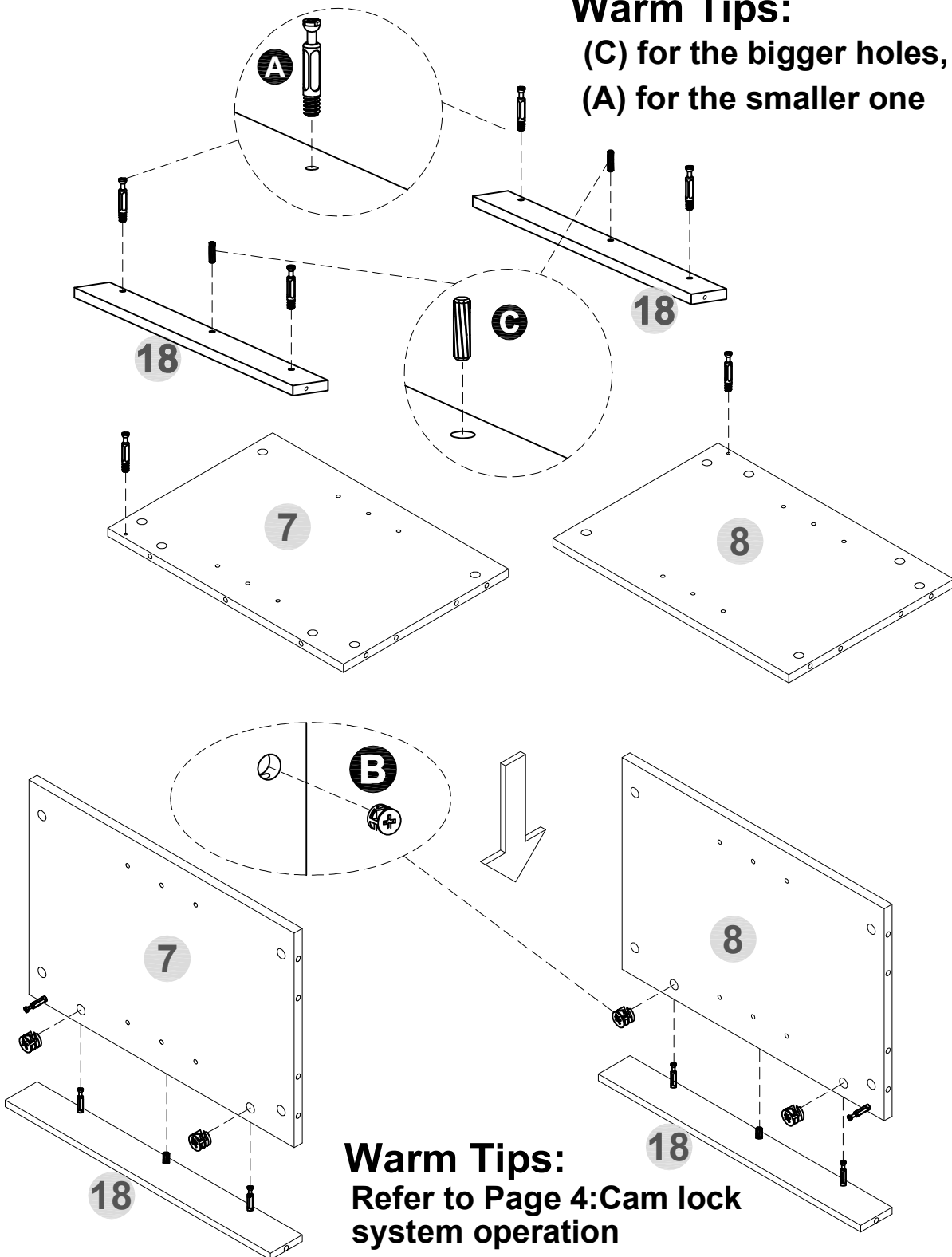


PART 2 - start to assemble the body part

- Screw (A)&(C) to (18) as below shown
- Screw (A) to (7)&(8) as below shown
- Screw (B) to (7)&(8) as below shown

Warm Tips:

(C) for the bigger holes,
(A) for the smaller one

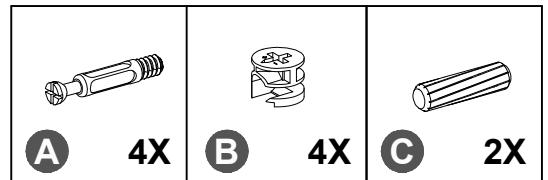


Warm Tips:

Refer to Page 4: Cam lock system operation

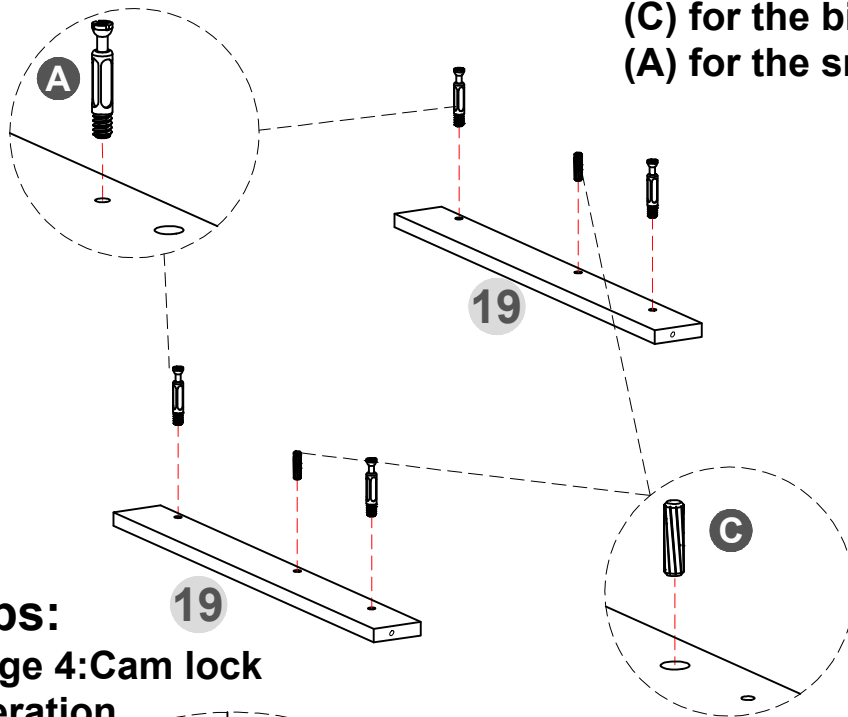
STEP 6

- Screw (A)&(C) to (19) as below shown
- Screw (B) to (9)&(10) as below shown



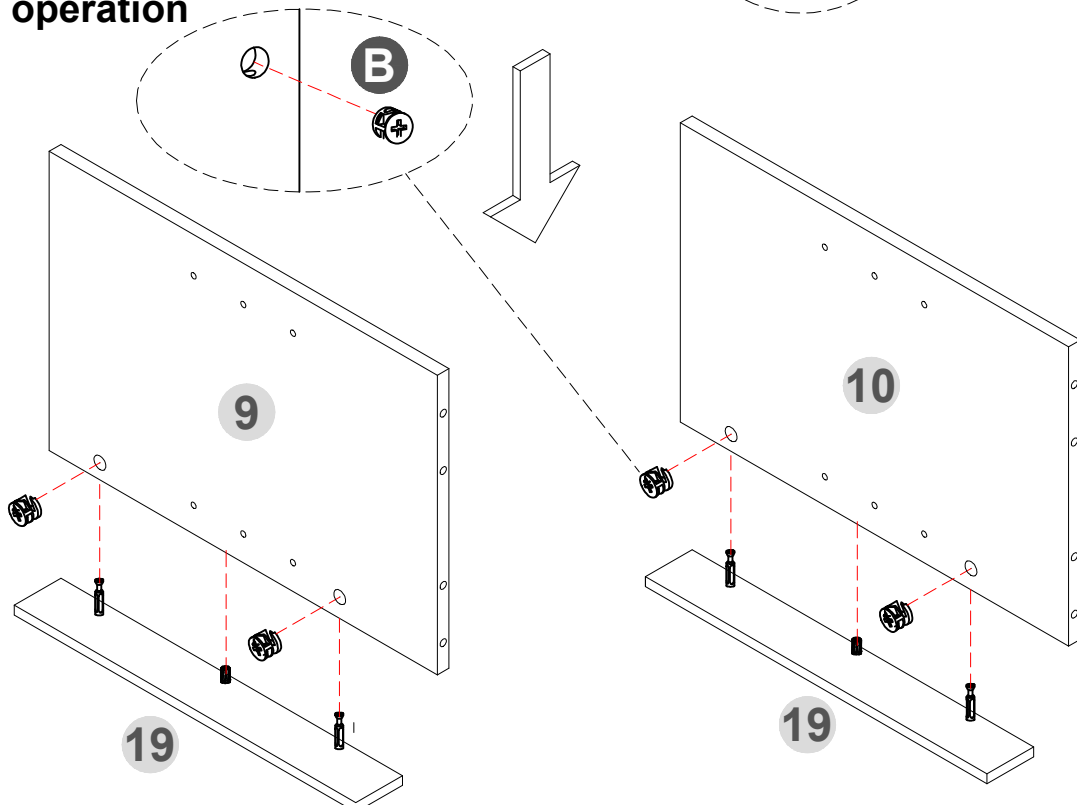
Warm Tips:

(C) for the bigger holes,
(A) for the smaller one

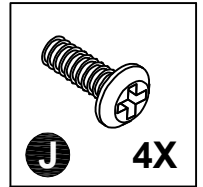


Warm Tips:

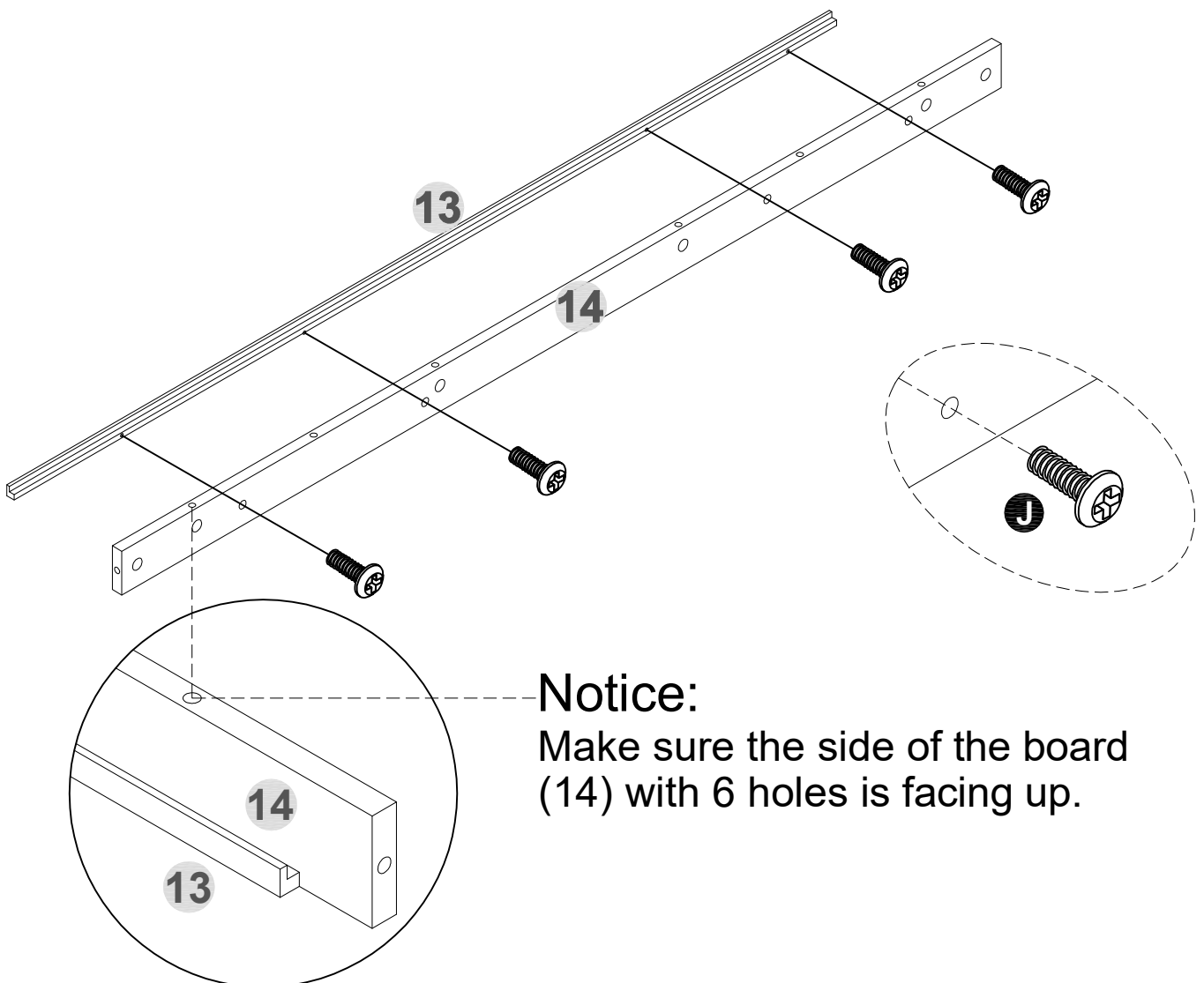
Refer to Page 4:Cam lock
system operation



STEP 7



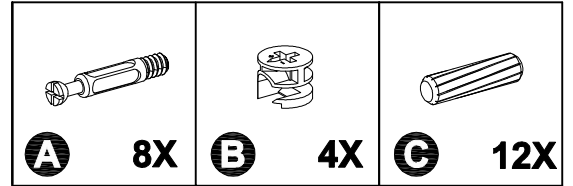
-Screw (J) to (13)&(14) as below shown



Notice:

Make sure the side of the board (14) with 6 holes is facing up.

STEP 8

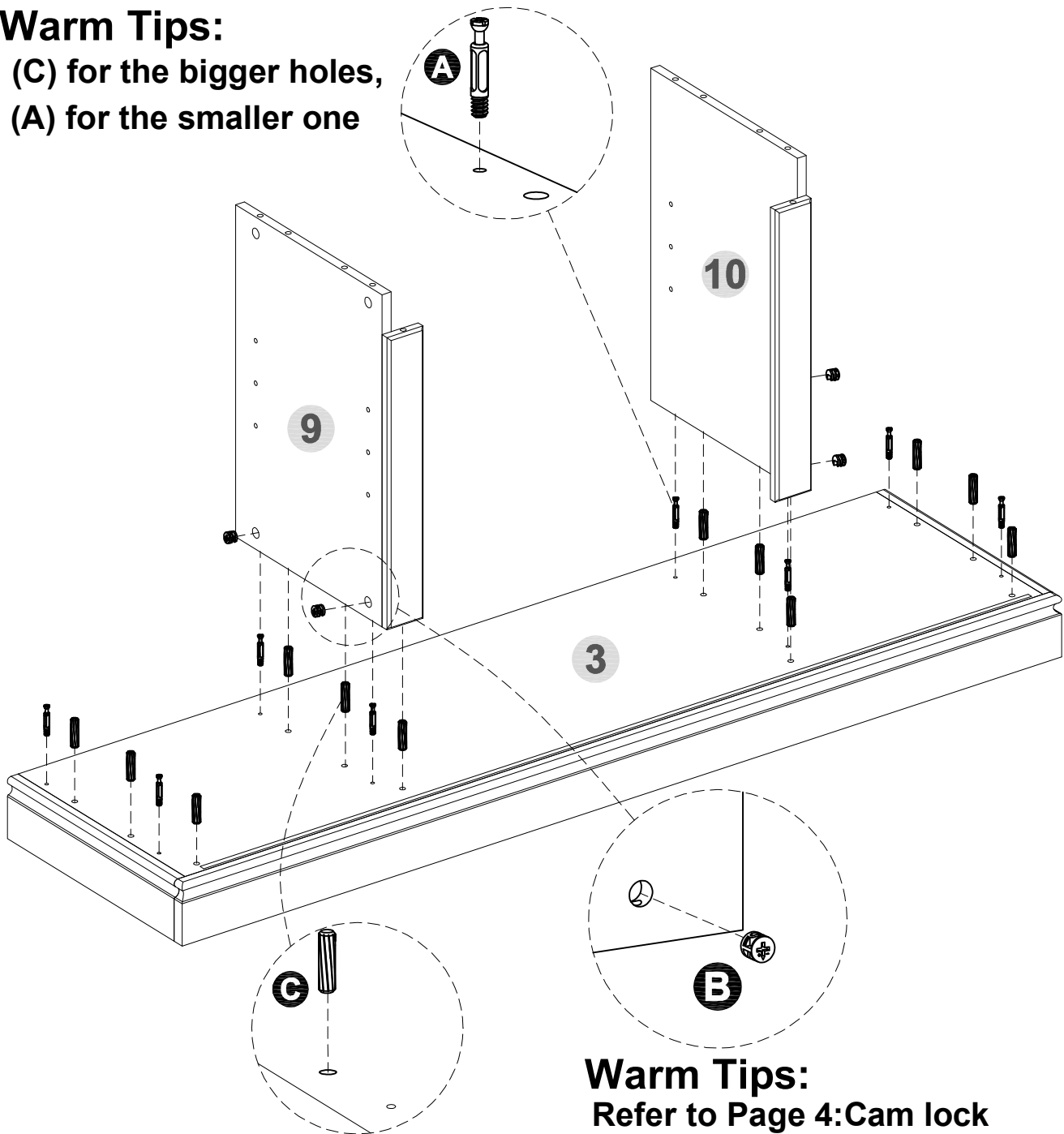


-Screw (A) & (C) to (3) as below shown

-Screw (B) to lock the (9)&(10) on the (3) as below shown

Warm Tips:

(C) for the bigger holes,
(A) for the smaller one

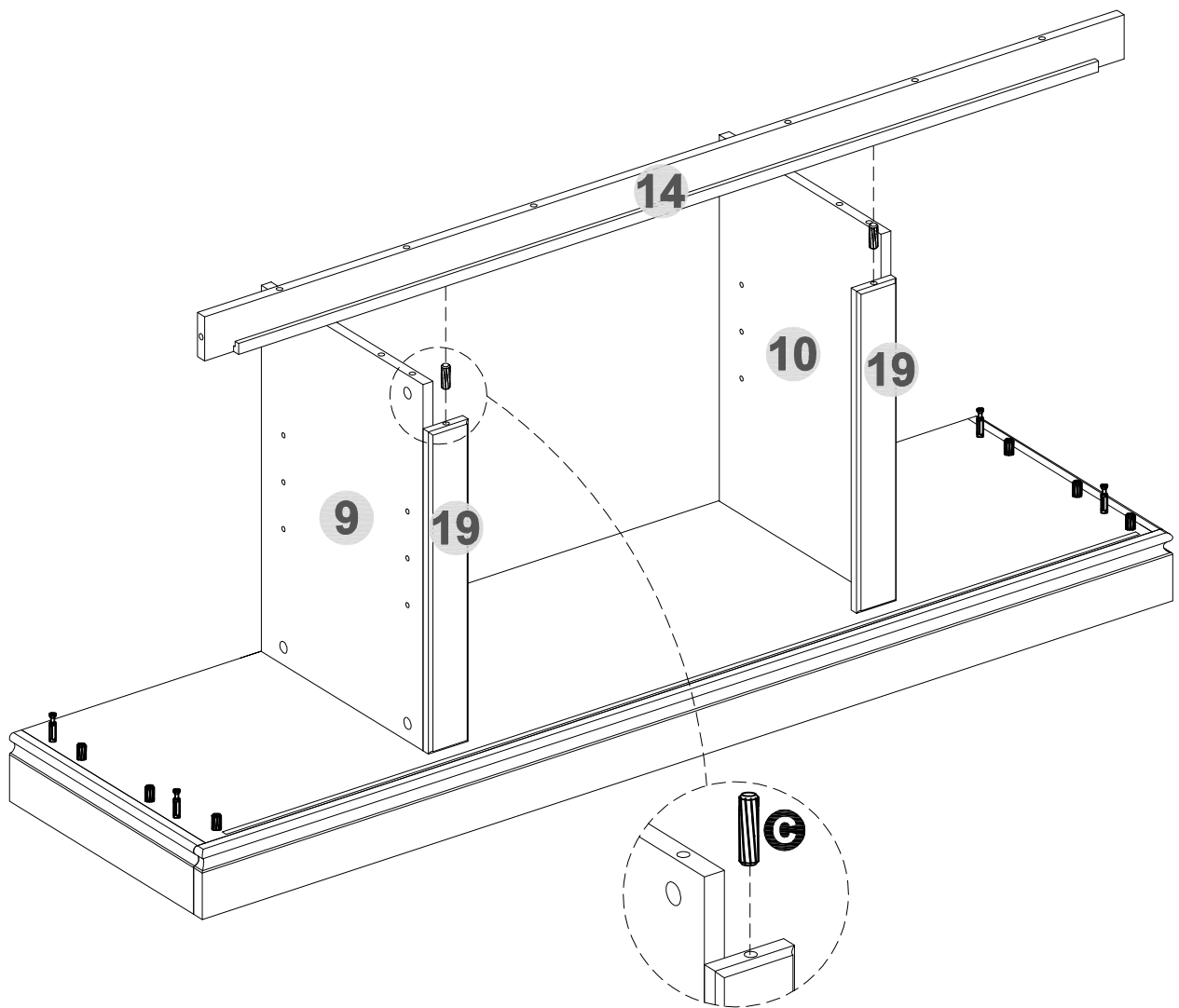
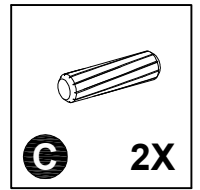


Warm Tips:

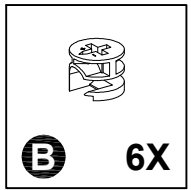
Refer to Page 4: Cam lock
system operation

STEP 9

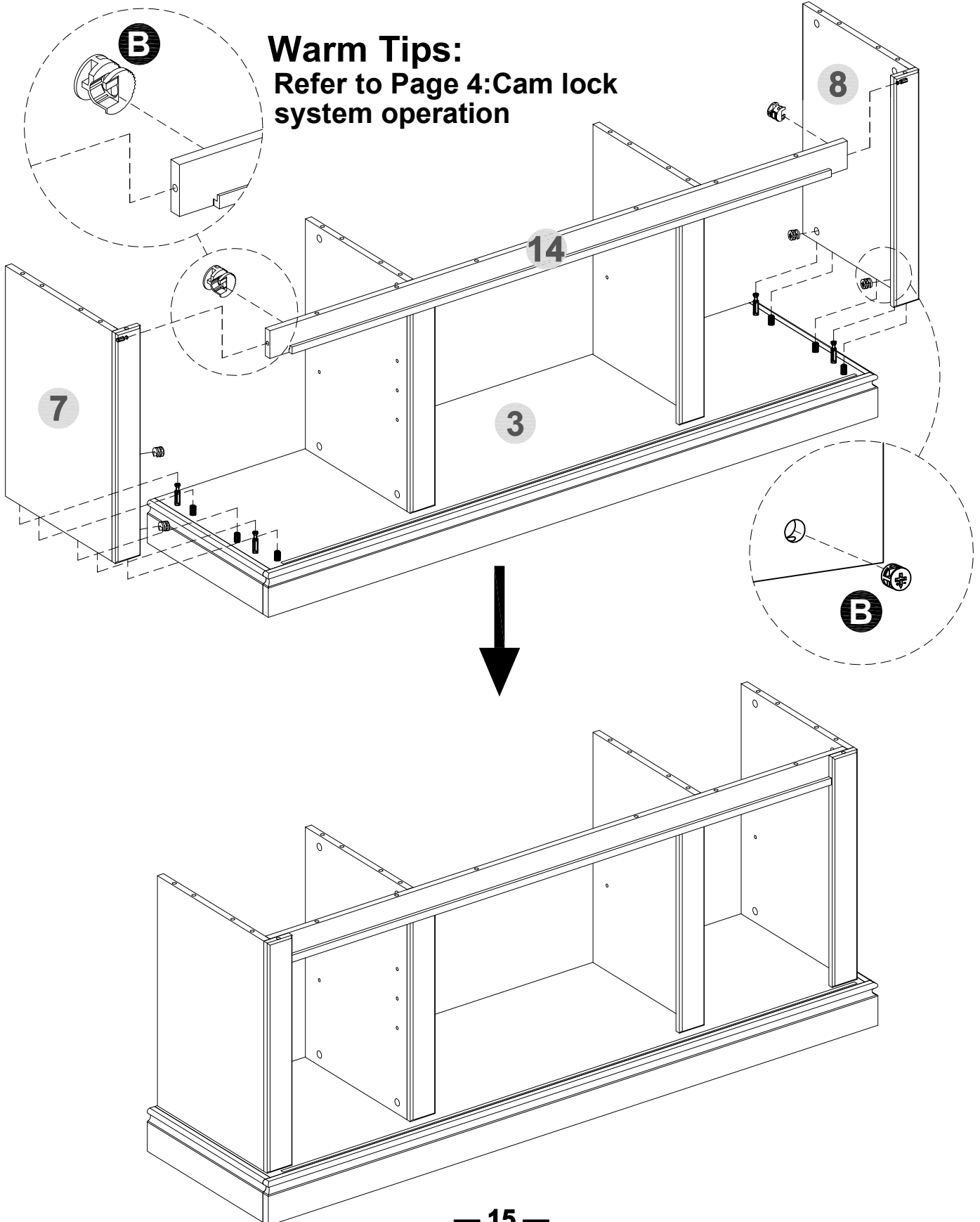
- Screw (C) to (19) as below shown
Attach 14 to 19 as below shown



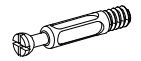
STEP 10



- Screw (B) to lock the (14) on the (7)&(8) as below shown
- Screw (B) to lock the (7)&(8) on the (3) as below shown



STEP 11

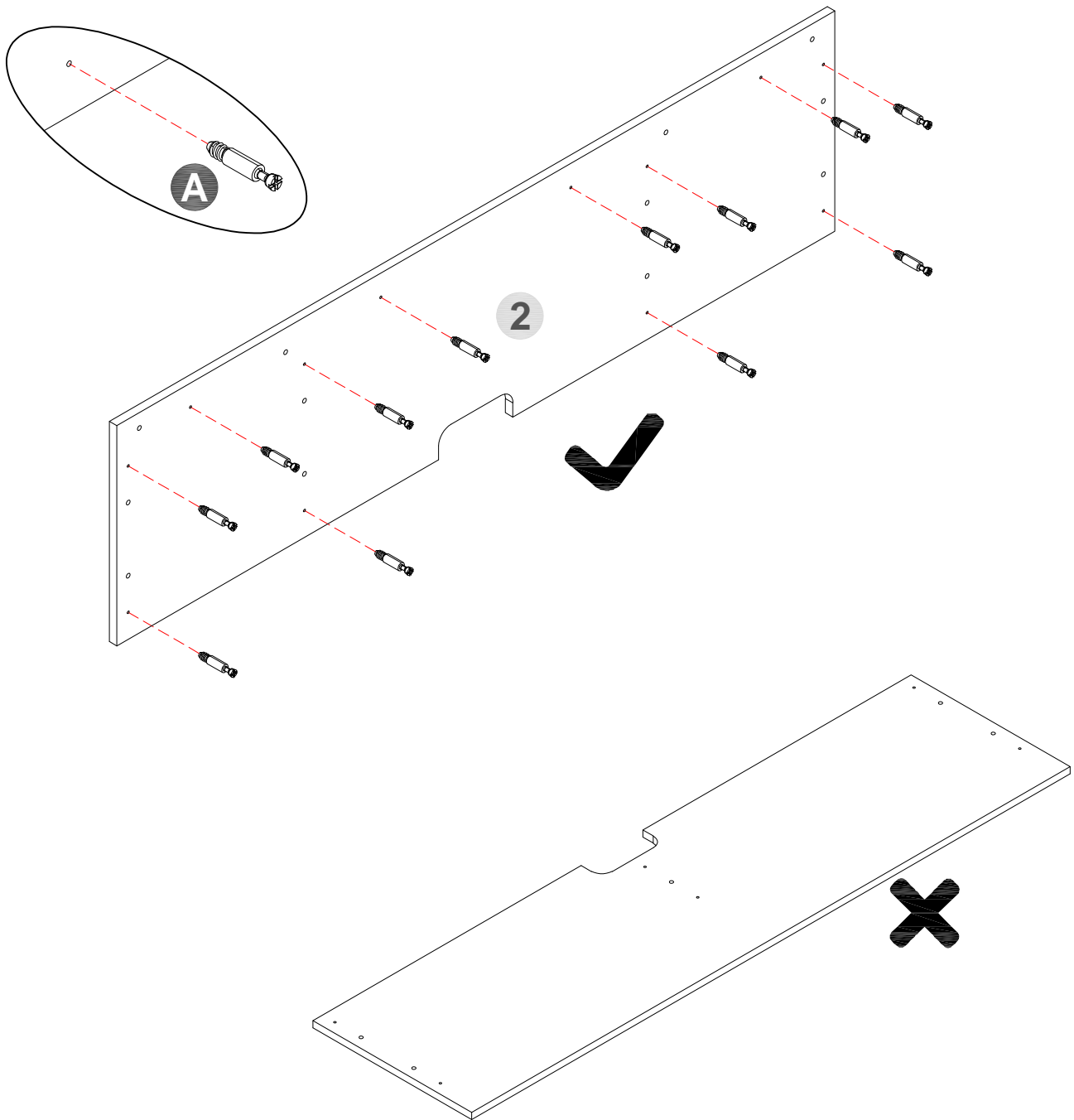


A 12X

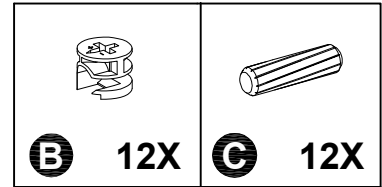
-Screw (A) to (2) as below shown

Notice:

Make sure the direction of board 2 is right.

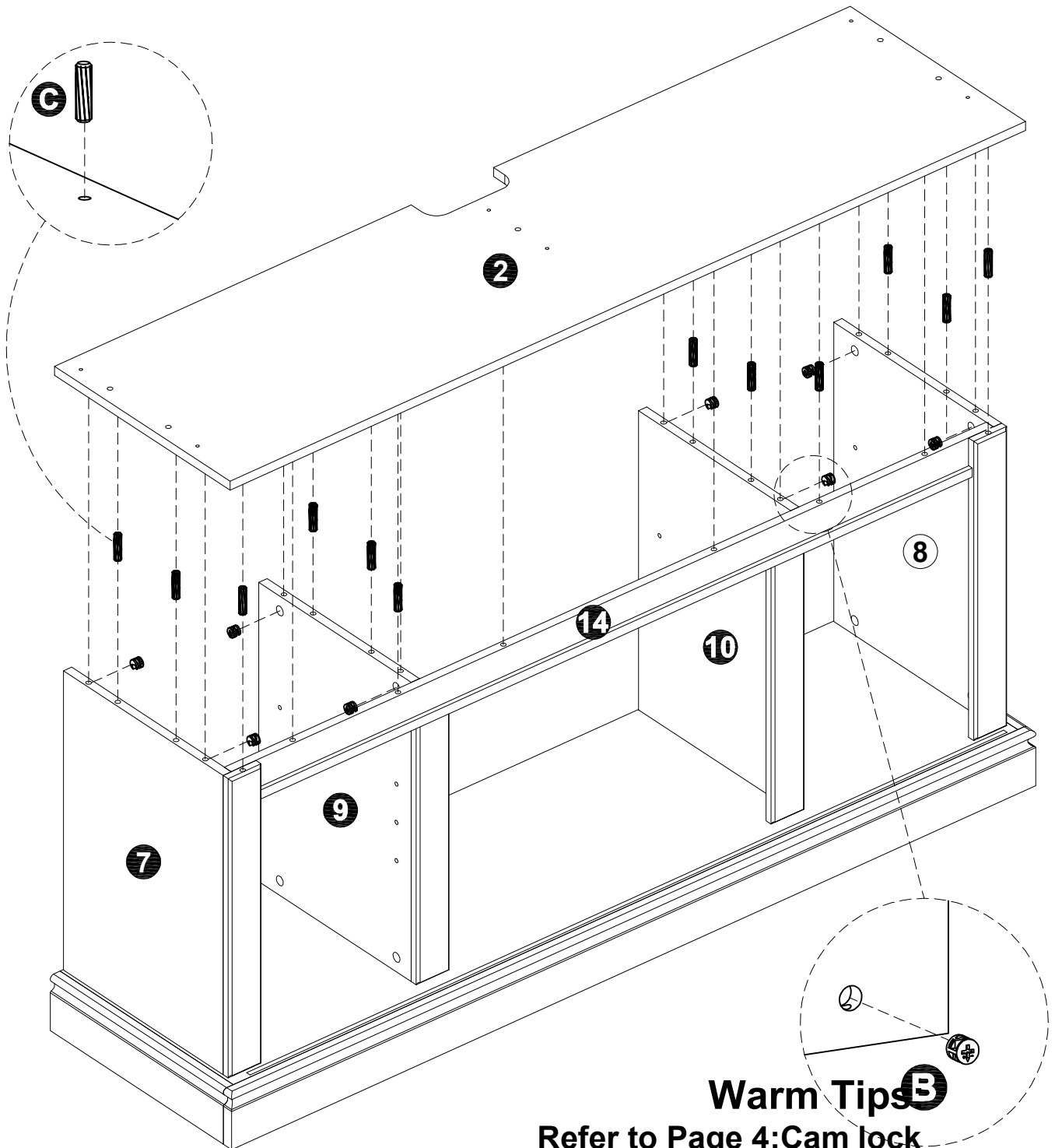



STEP 12



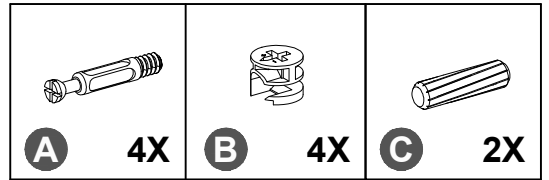
-Screw (C) to (7)&(8) as below shown

-Attach (2) to (7)&(8)&(9)&(10), and screw (B) to lock the (2) as below shown



Warm Tips 
Refer to Page 4: Cam lock system operation

STEP 13

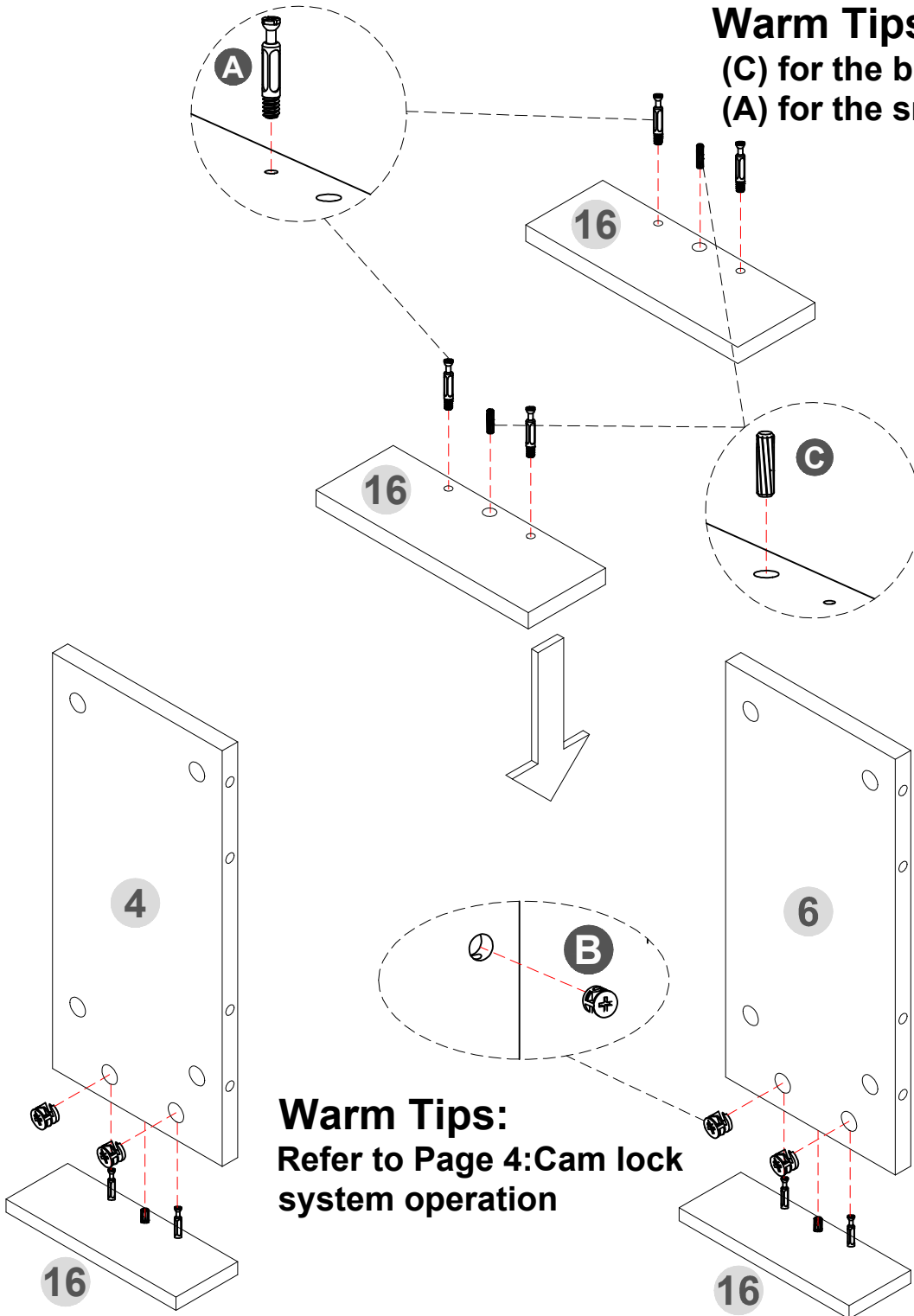


PART 3 - start to assemble the top part

- Screw (A) & (C) to (16) as below shown
- Screw (B) to lock the (4) & (6) on the (16)

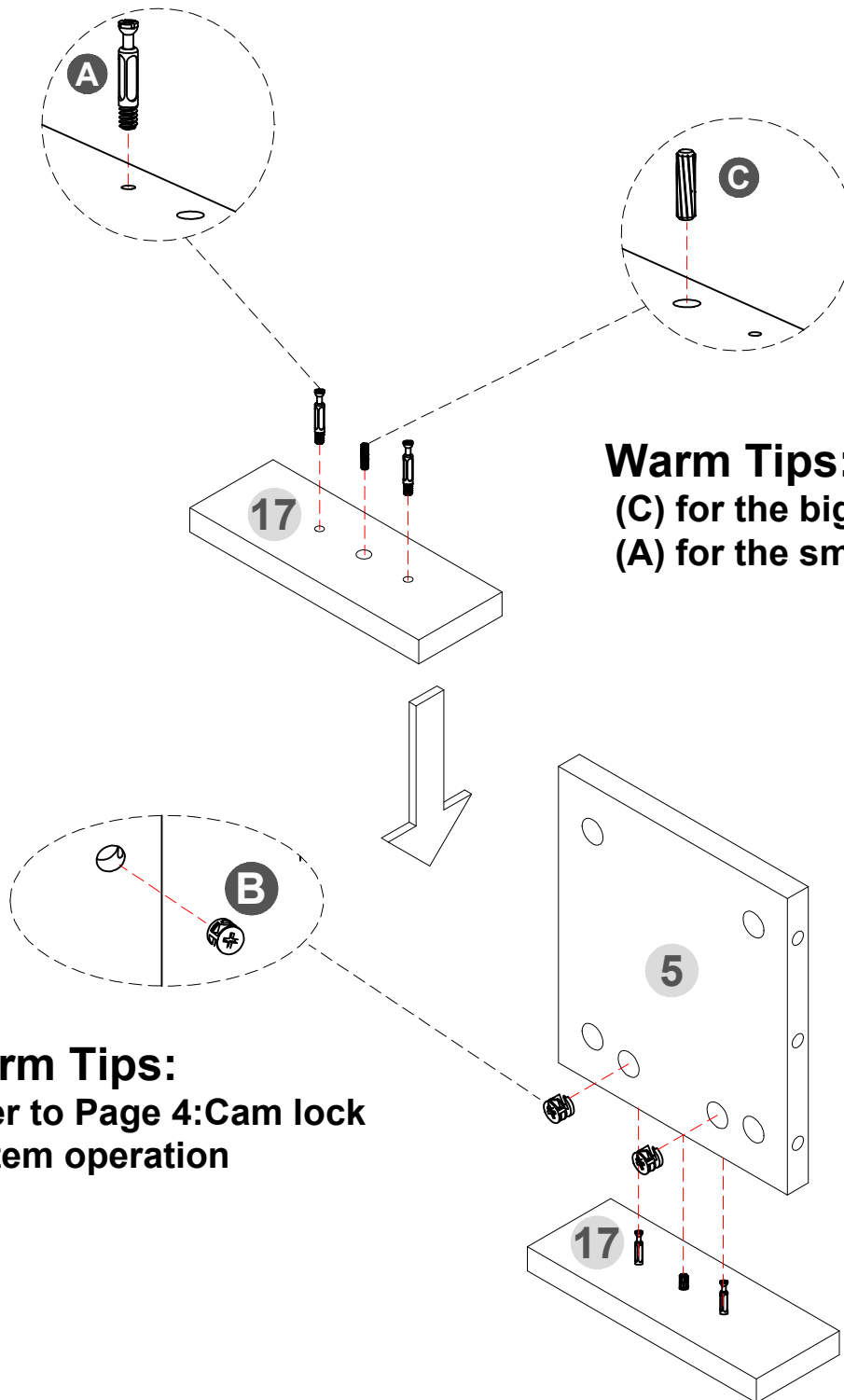
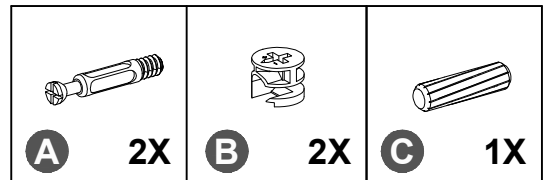
Warm Tips:

(C) for the bigger holes,
(A) for the smaller one



STEP 14

- Screw (A) & (C) to (17) as below shown
- Screw (B) to lock the (5) on the (17)



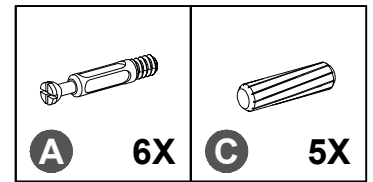
Warm Tips:

(C) for the bigger holes,
(A) for the smaller one

Warm Tips:

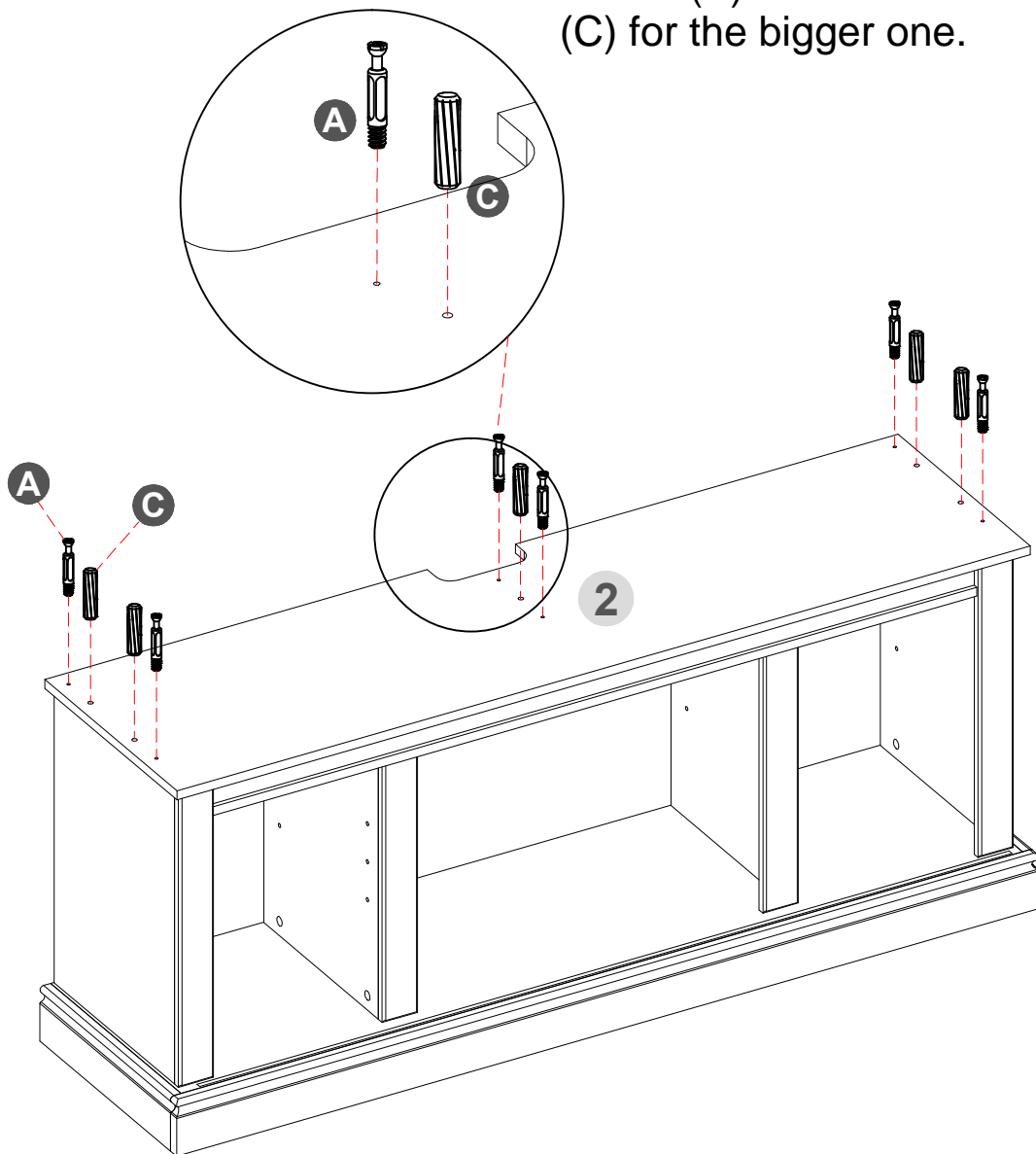
Refer to Page 4: Cam lock
system operation

STEP 15



-Screw (A)&(C) to (2) as below shown

Warm Tips:
Notice (A) for the smaller hole,
(C) for the bigger one.



STEP 16

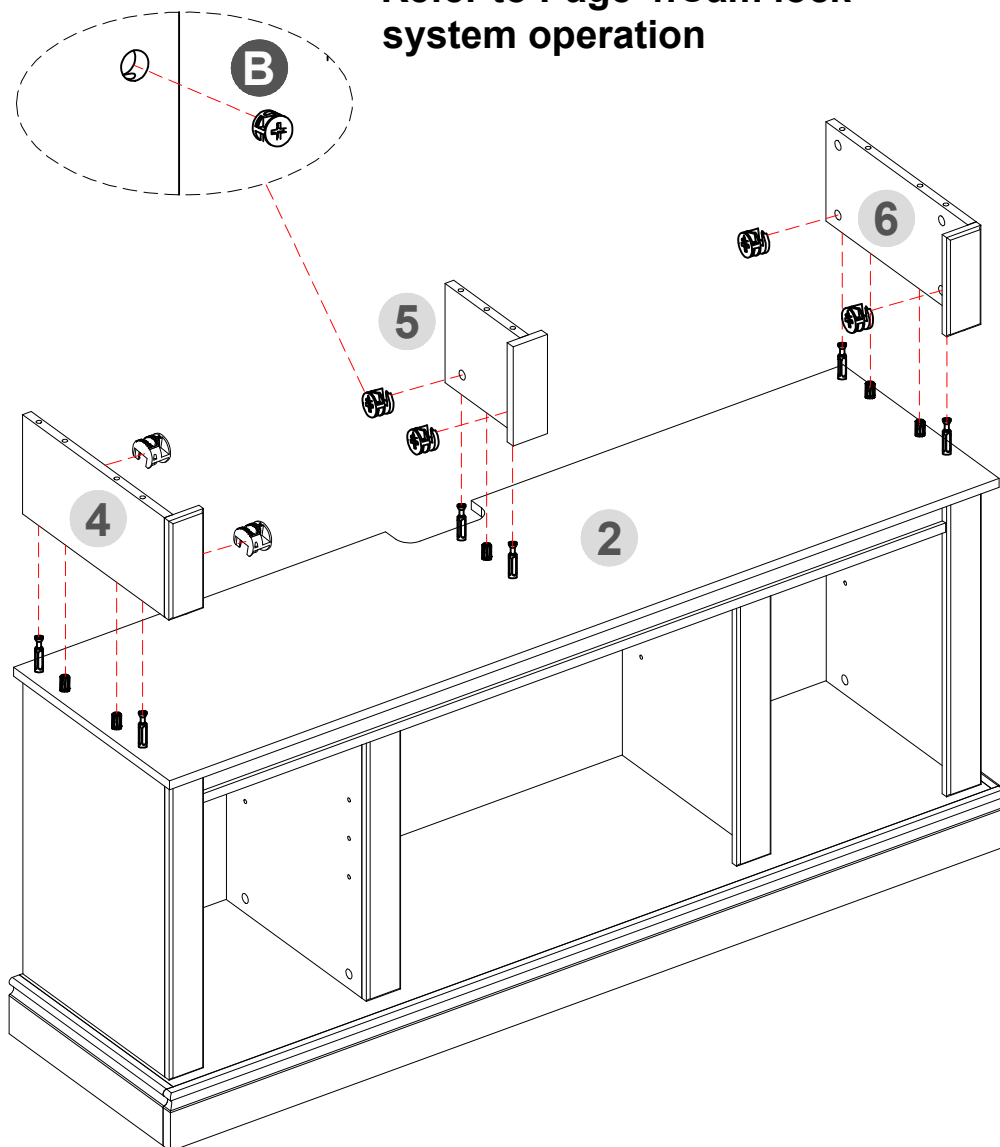


B

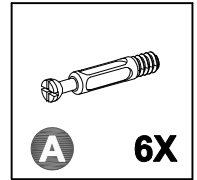
6X

- Attach (4) &(5)&(6) to (2) as below shown
- Screw (B) to lock (4)& (5)& (6) as below shown

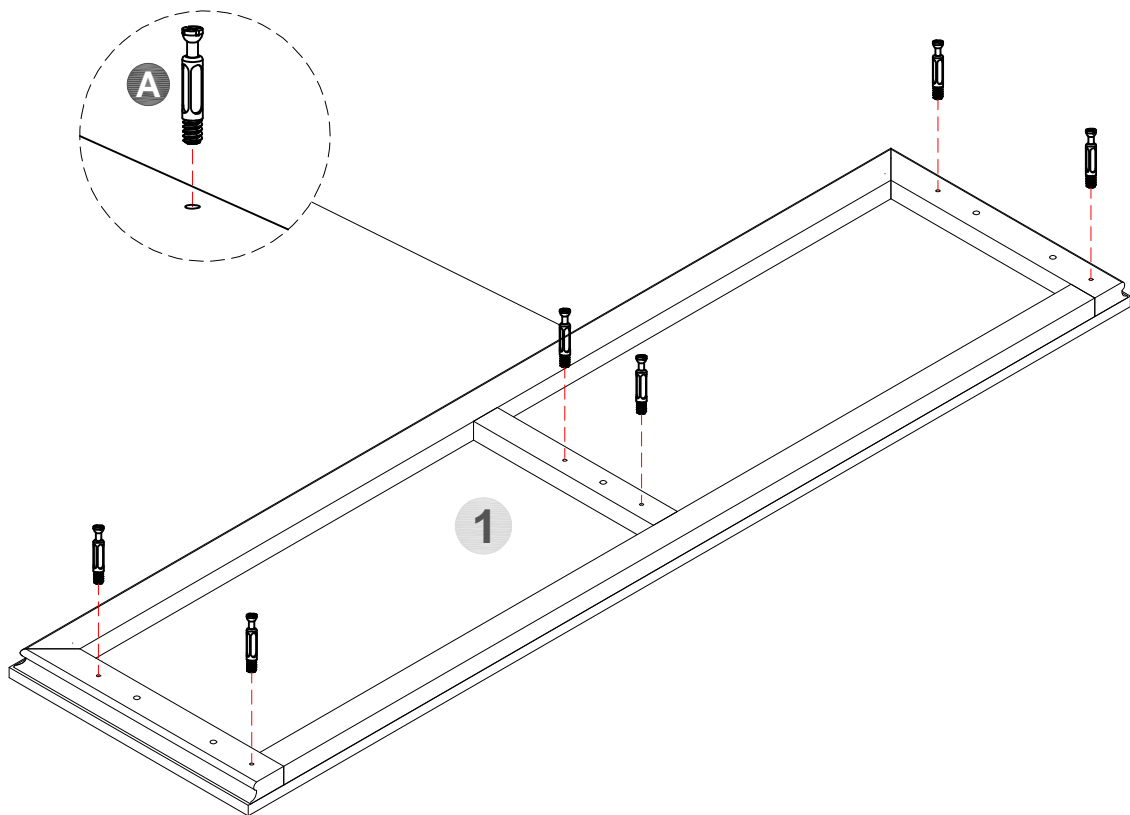
Warm Tips:
Refer to Page 4:Cam lock system operation





STEP 17



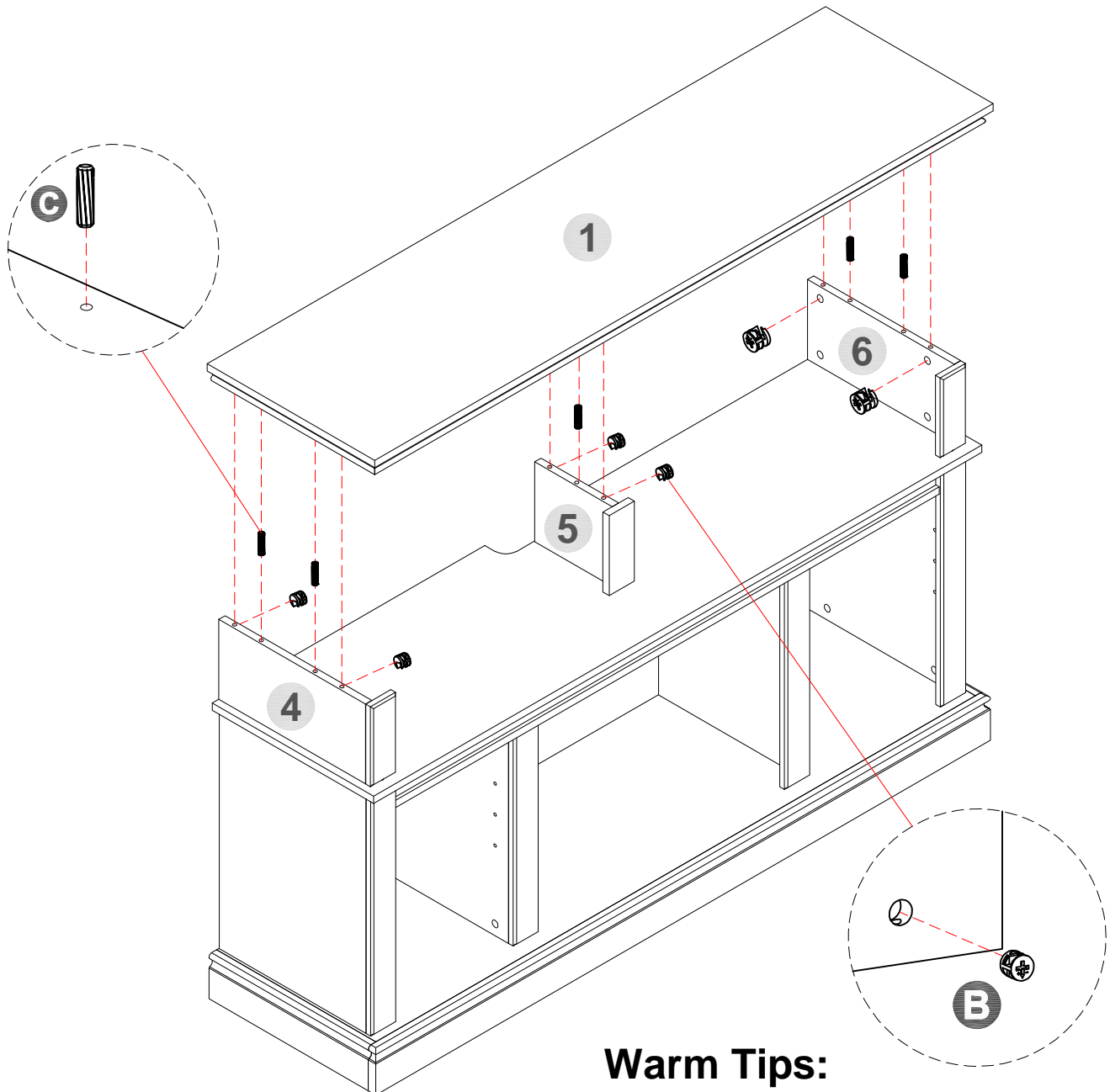
-Attach (A) to (1) as below shown



STEP 18

	
B 6X	C 5X

-Screw (C) to (4) & (5) & (6) as below shown
-Attach (1) to (4) & (5) & (6), and Screw (B) to lock (1) as below shown



Warm Tips:
Refer to Page 4: Cam lock system operation

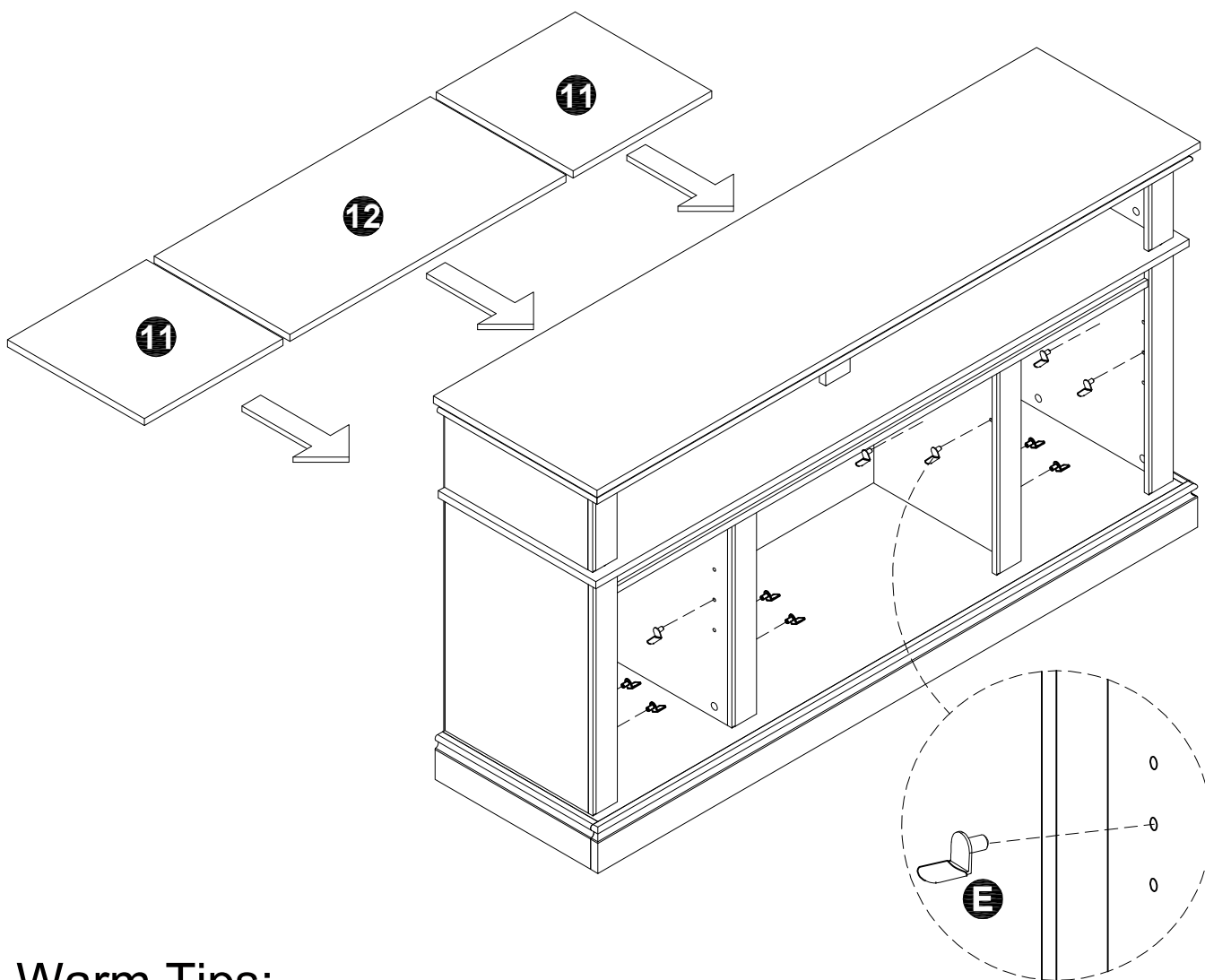
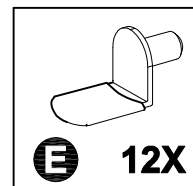
If you intended to use this product as a TV stand, continue the assembly instruction on page 24.

If you intended to use this product as a fireplace mantel, continue the assembly instruction on page 30.

TV STAND ASSEMBLY

STEP 19

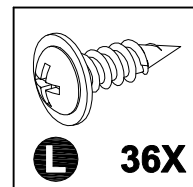
- Screw (E) to (7) & (8)& (9)& (10) as below shown
- Put in (11)& (12) as below shown



Warm Tips:

Make sure to install (E) in place, otherwise there will be gaps, making it difficult to install (11)&(12).(E) is adjustable in 3 gears, and it must be installed at the same height.

STEP 20



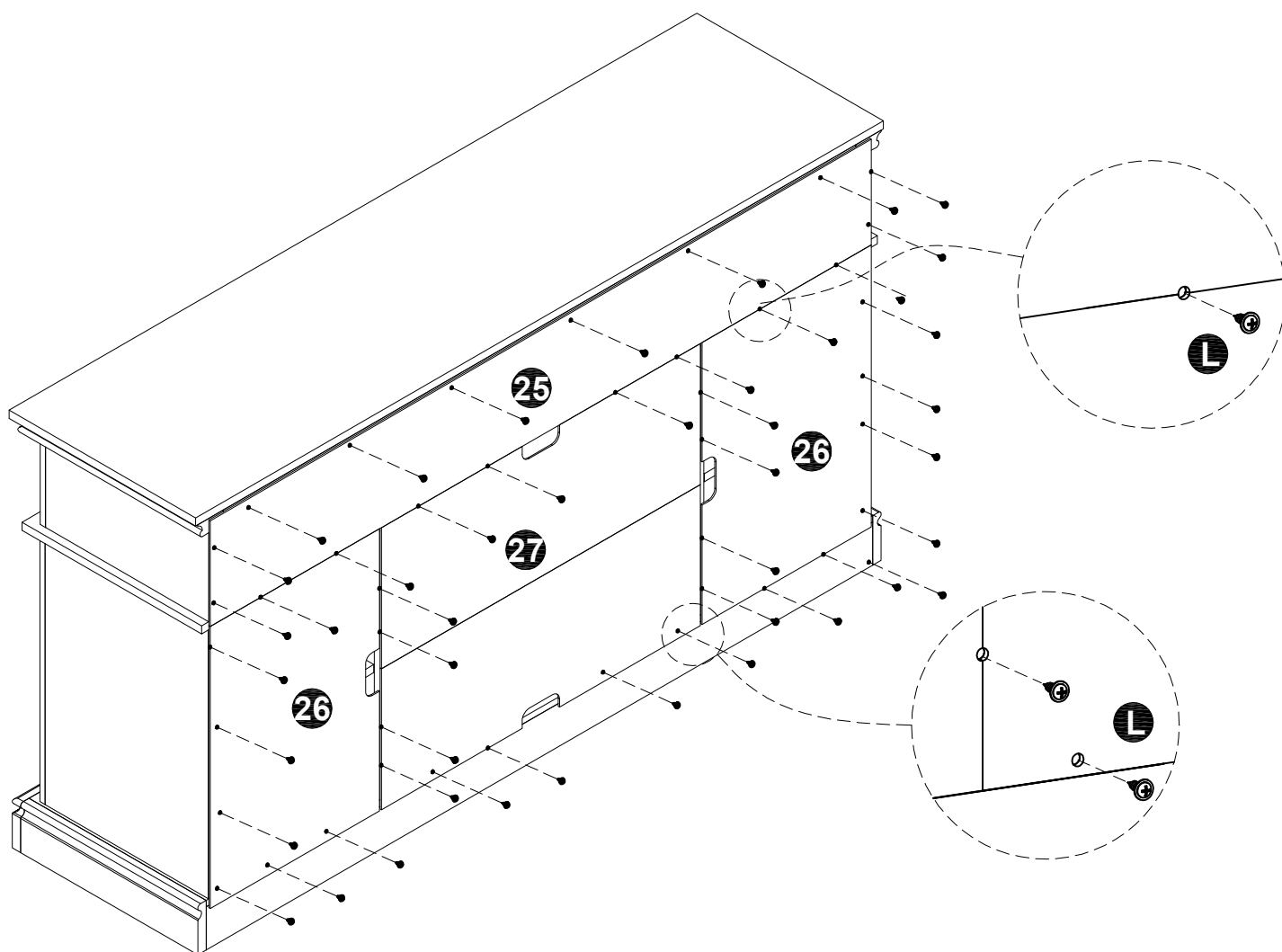
-Start to install the back panel

-Screw (L) to attach (25)&(26)&(27) as below shown

Warm Tips:

It is recommended to attach the back panel (25) at the top panel (1) first, then


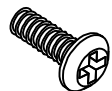

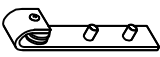
and then attach (26)-(27)-(26) from left to right. Please remember not to fully tighten all the screws (L) until all of them are in correct position.

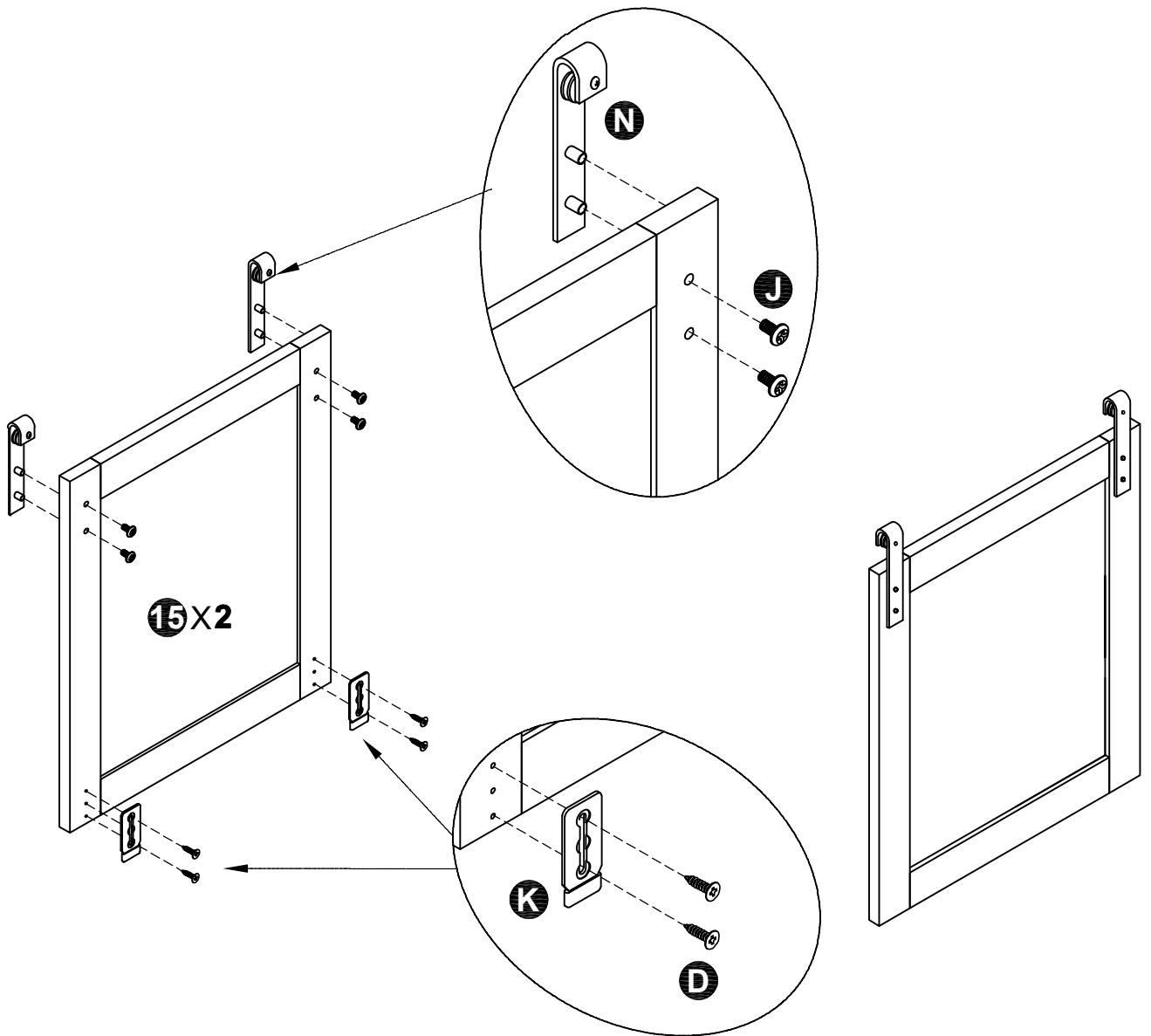


Notice:

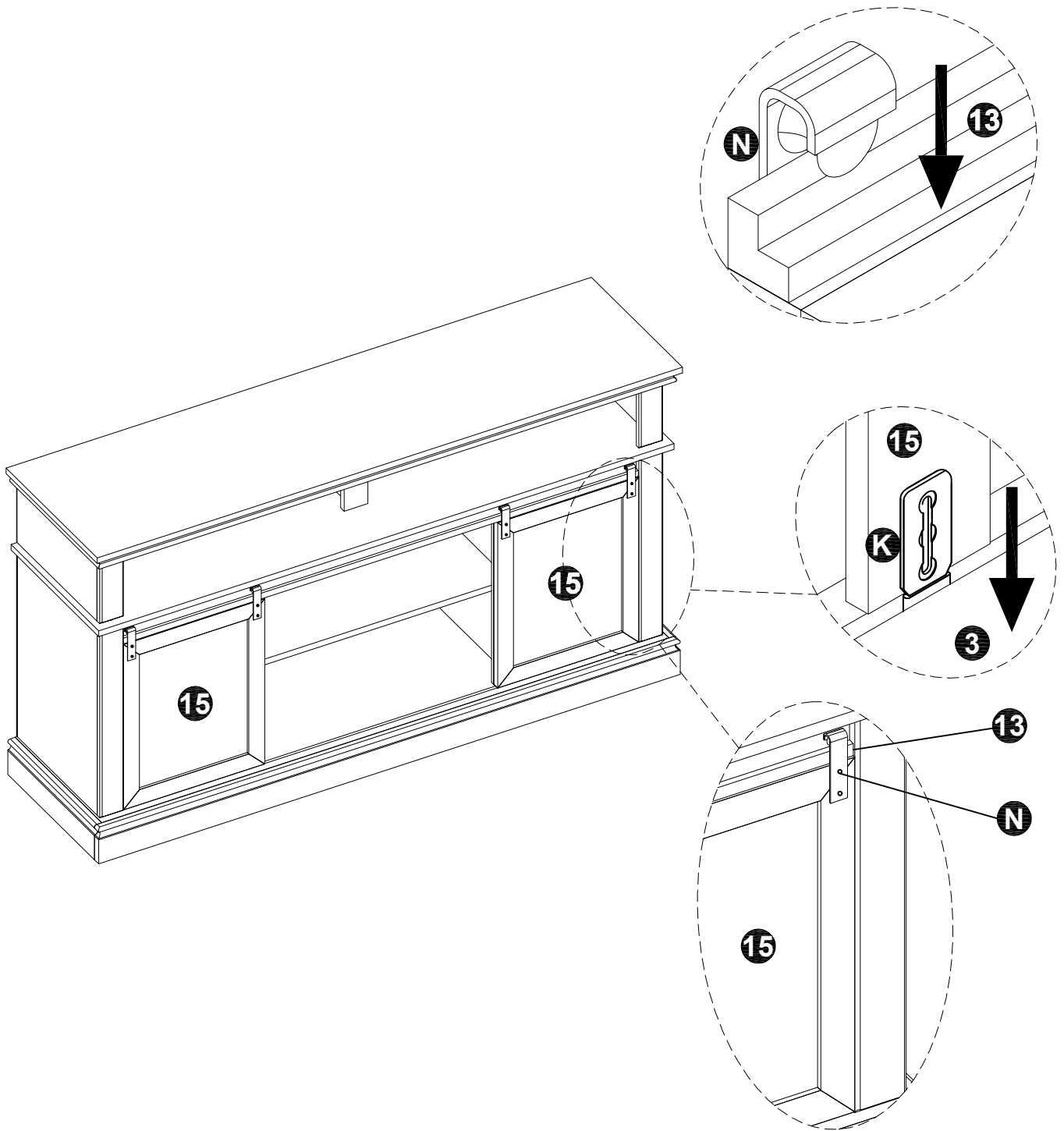
Make sure that the directions of (25),(26), (27) are right: The position with the small round hole is below. Tighten all screws make sure that all parts are tight and there are no gaps between the parts, which will help keep the TV stand more sturdy

STEP 21

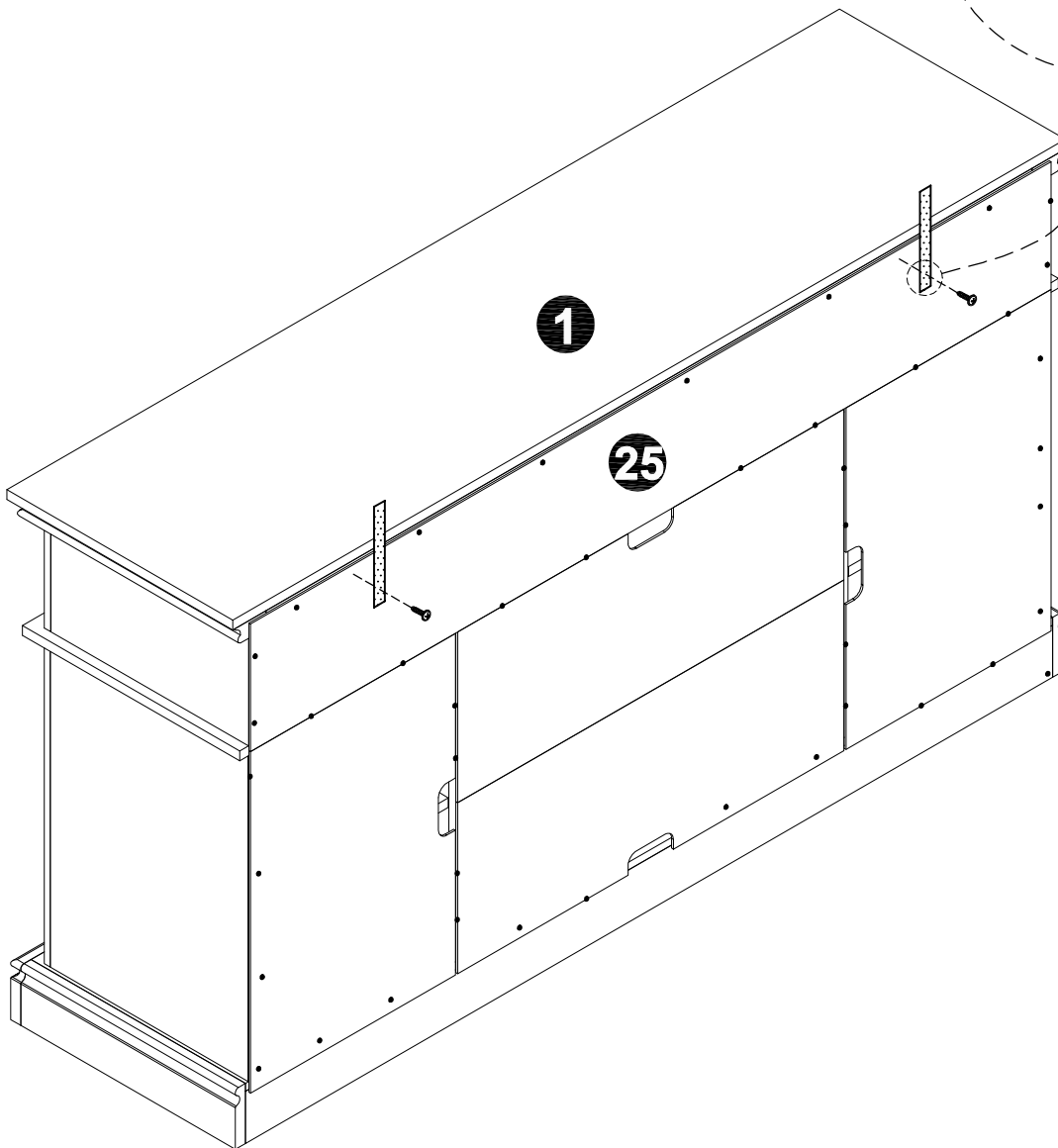
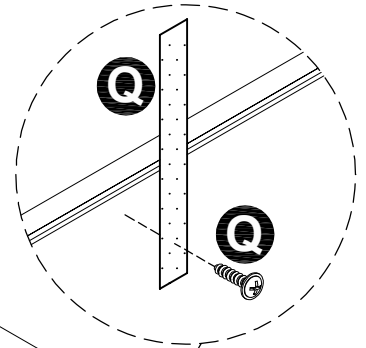
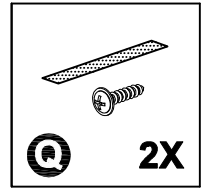
			
D 8X	J 8X	K 4X	N 4X



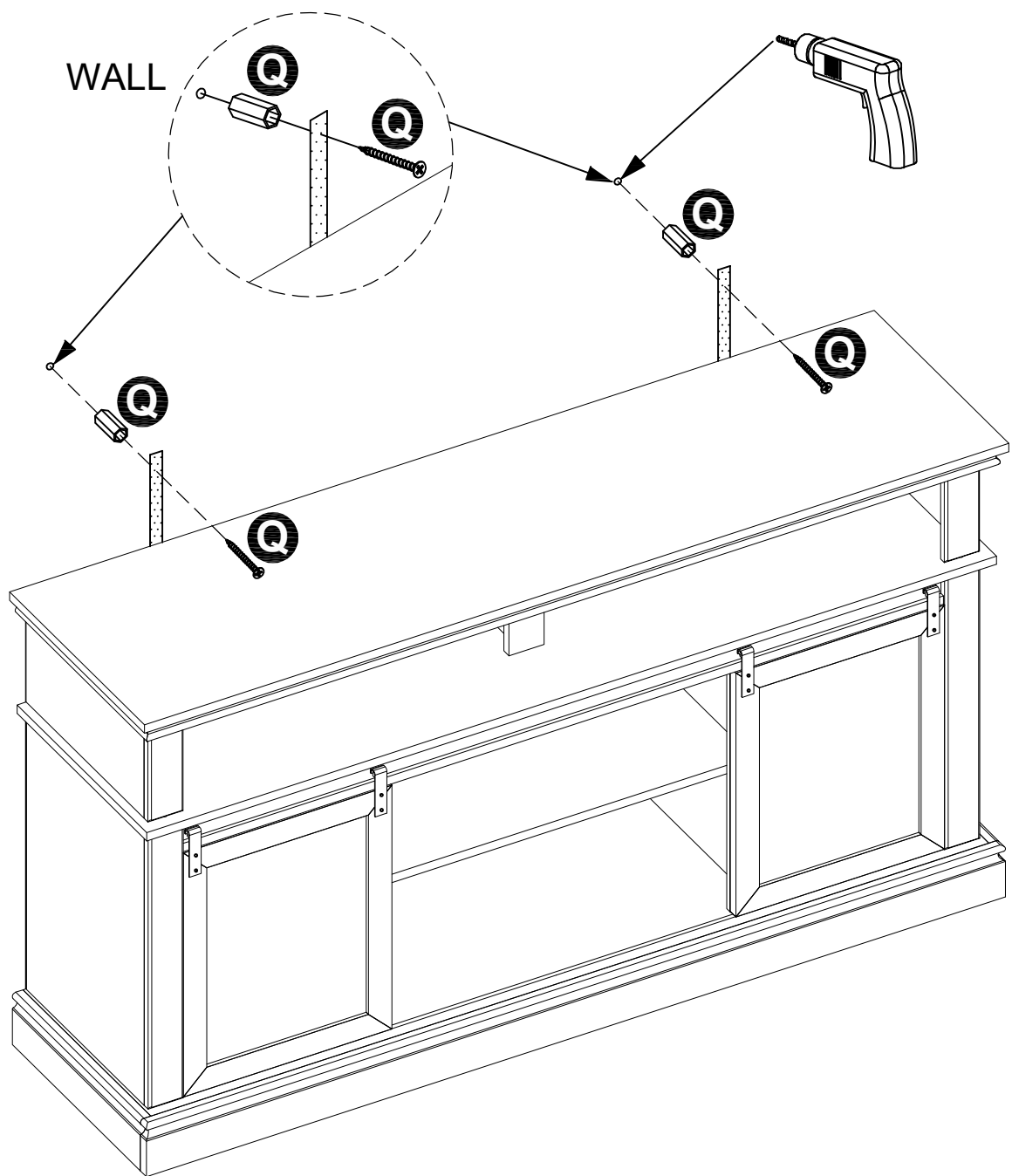
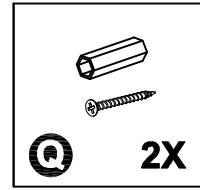
STEP 22



STEP 23



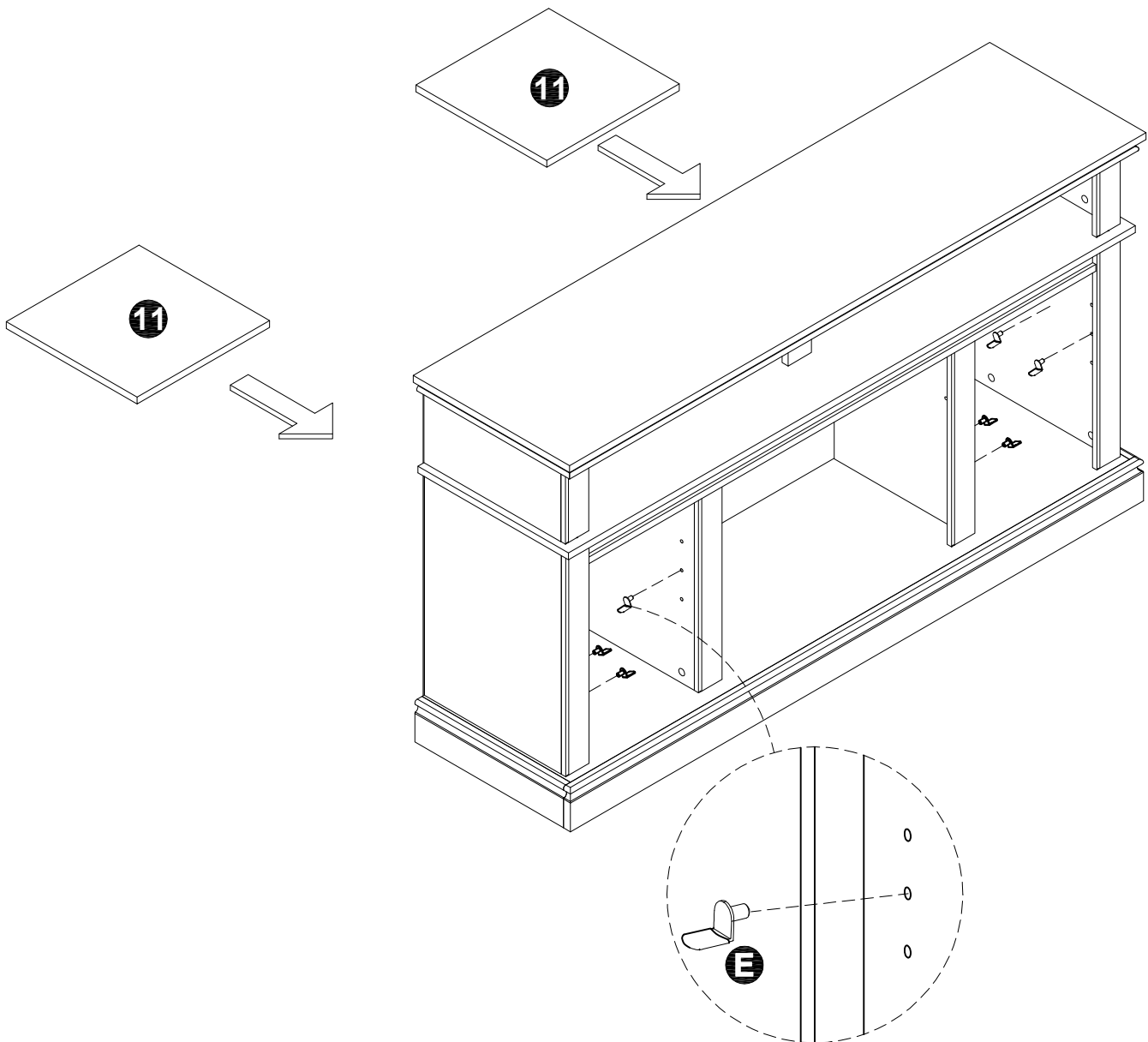
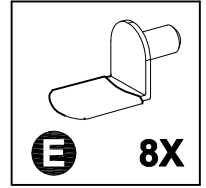
STEP 24



FIREPLACE MANTEL ASSEMBLY

STEP 19

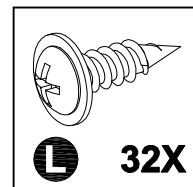
- Screw (E) to (7) & (8)& (9)& (10) as below shown
- Put in (11) as below shown



Warm Tips:

Make sure to install (E) in place, otherwise there will be gaps, making it difficult to install (11). (E) is adjustable in 3 gears, and it must be installed at the same height.

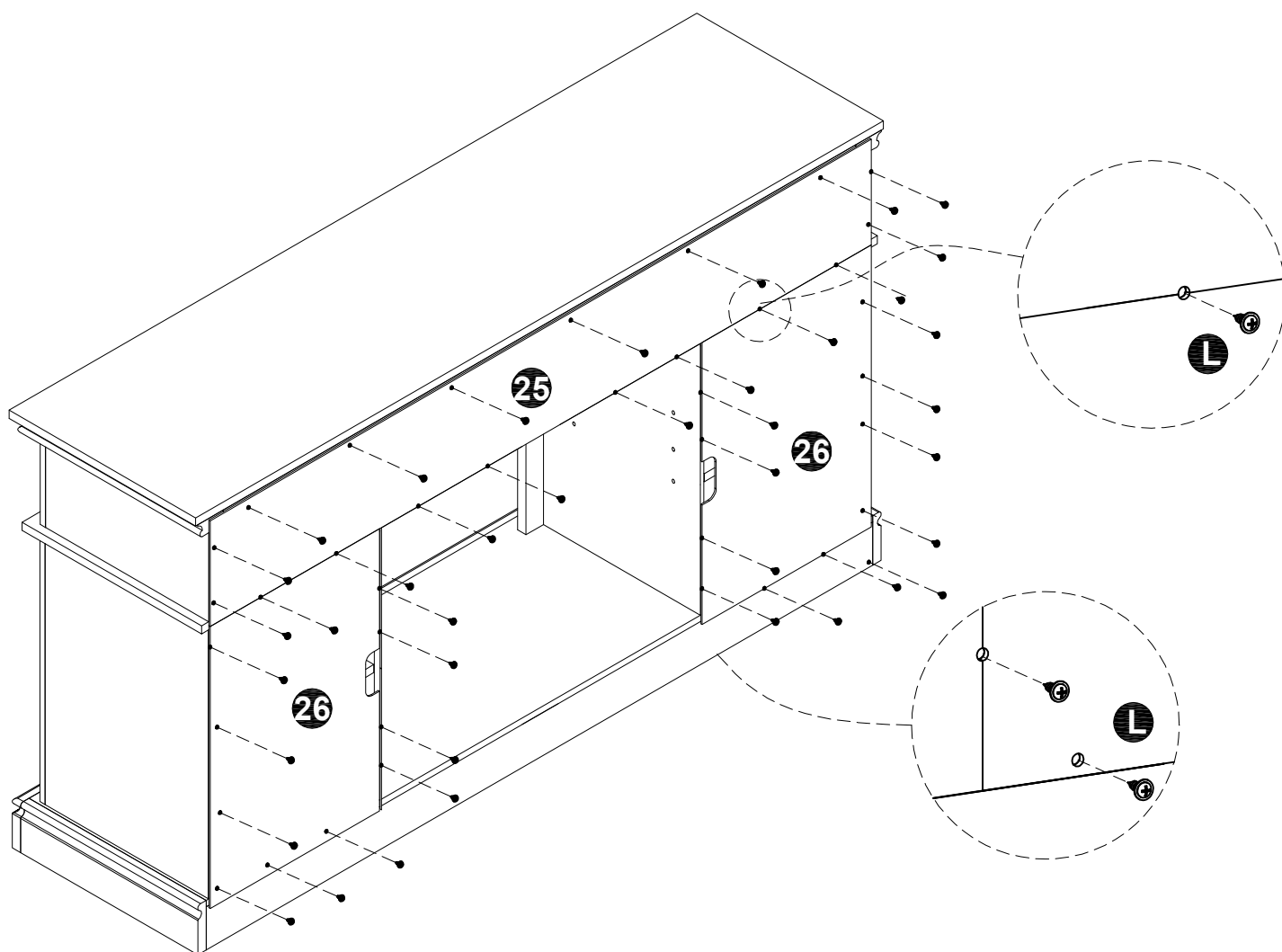
STEP 20



- Start to install the back panel
- Screw (L) to attach (25)&(26) as below shown

Warm Tips:


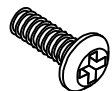

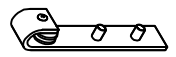
It is recommended to attach the back panel (25) at the top panel (1) first, then and then attach (26) from left to right. Please remember not to fully tighten all the screws (L) until all of them are in correct position.

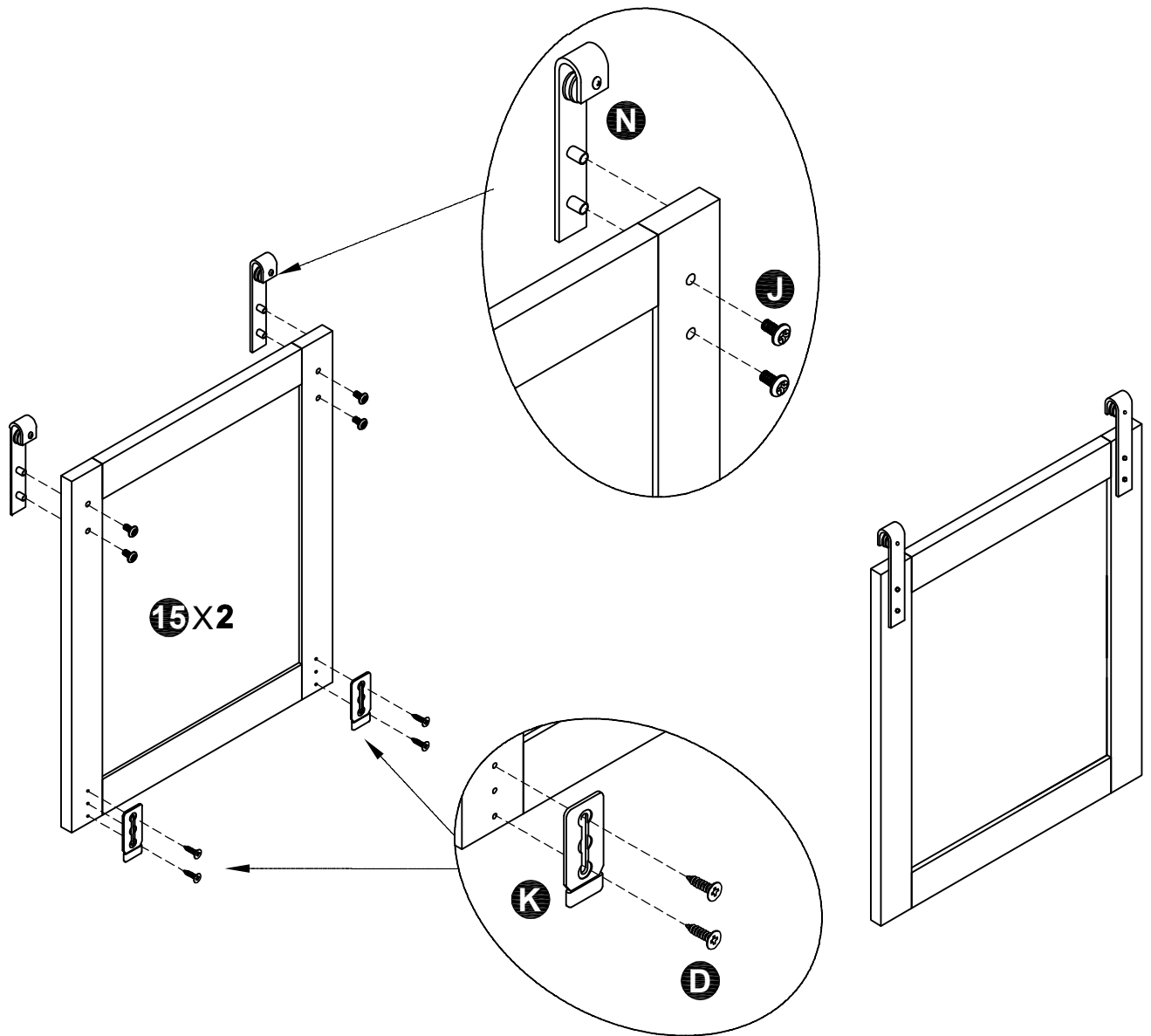


Notice:

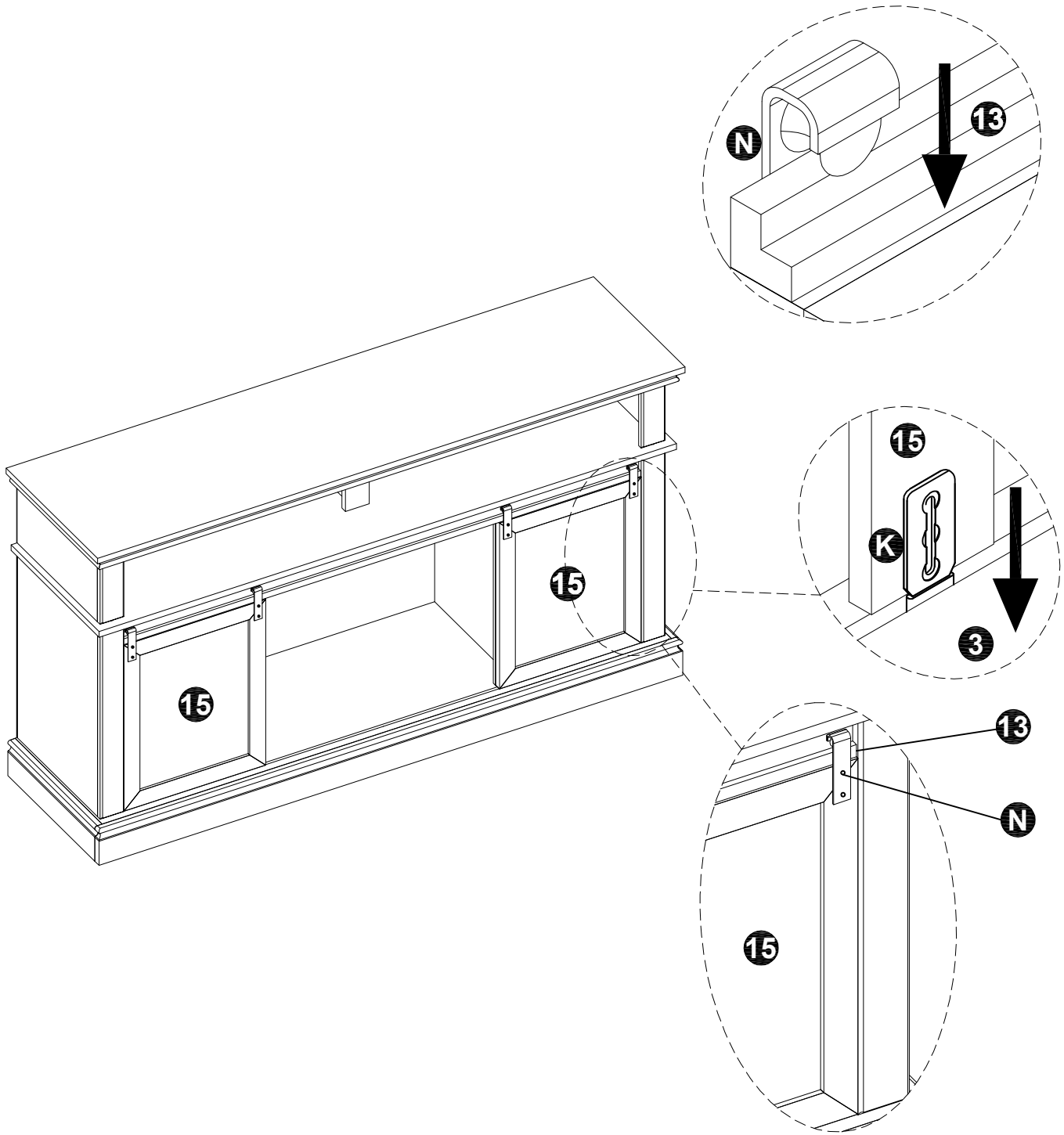
Make sure that the directions of (25),(26) are right: The position with the small round hole is below. Tighten all screws make sure that all parts are tight and there are no gaps between the parts, which will help keep the TV stand more sturdy

STEP 21

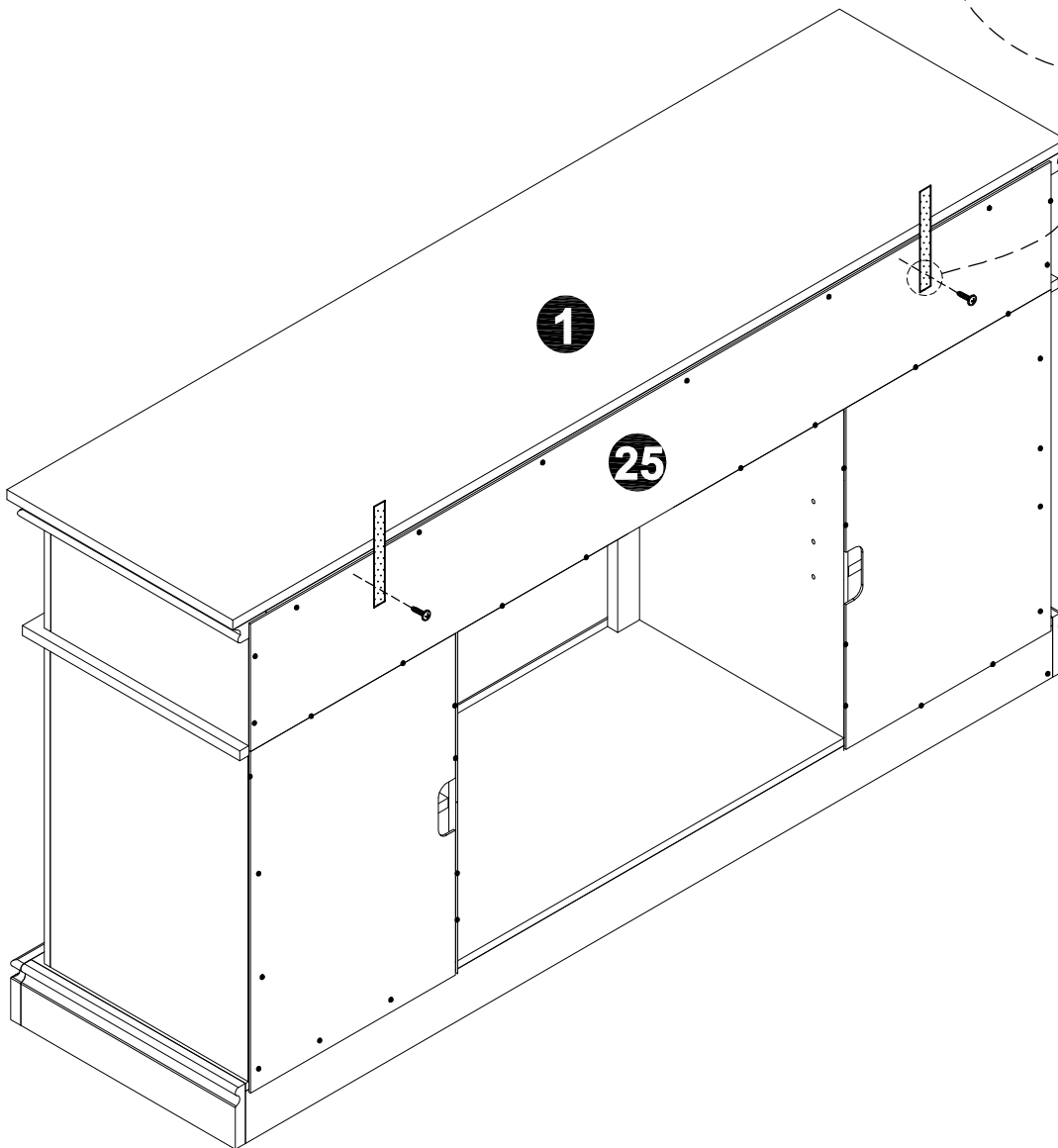
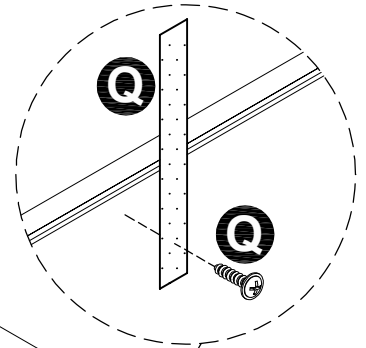
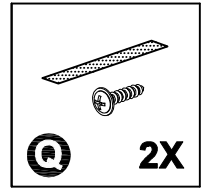
			
D 8X	J 8X	K 4X	N 4X



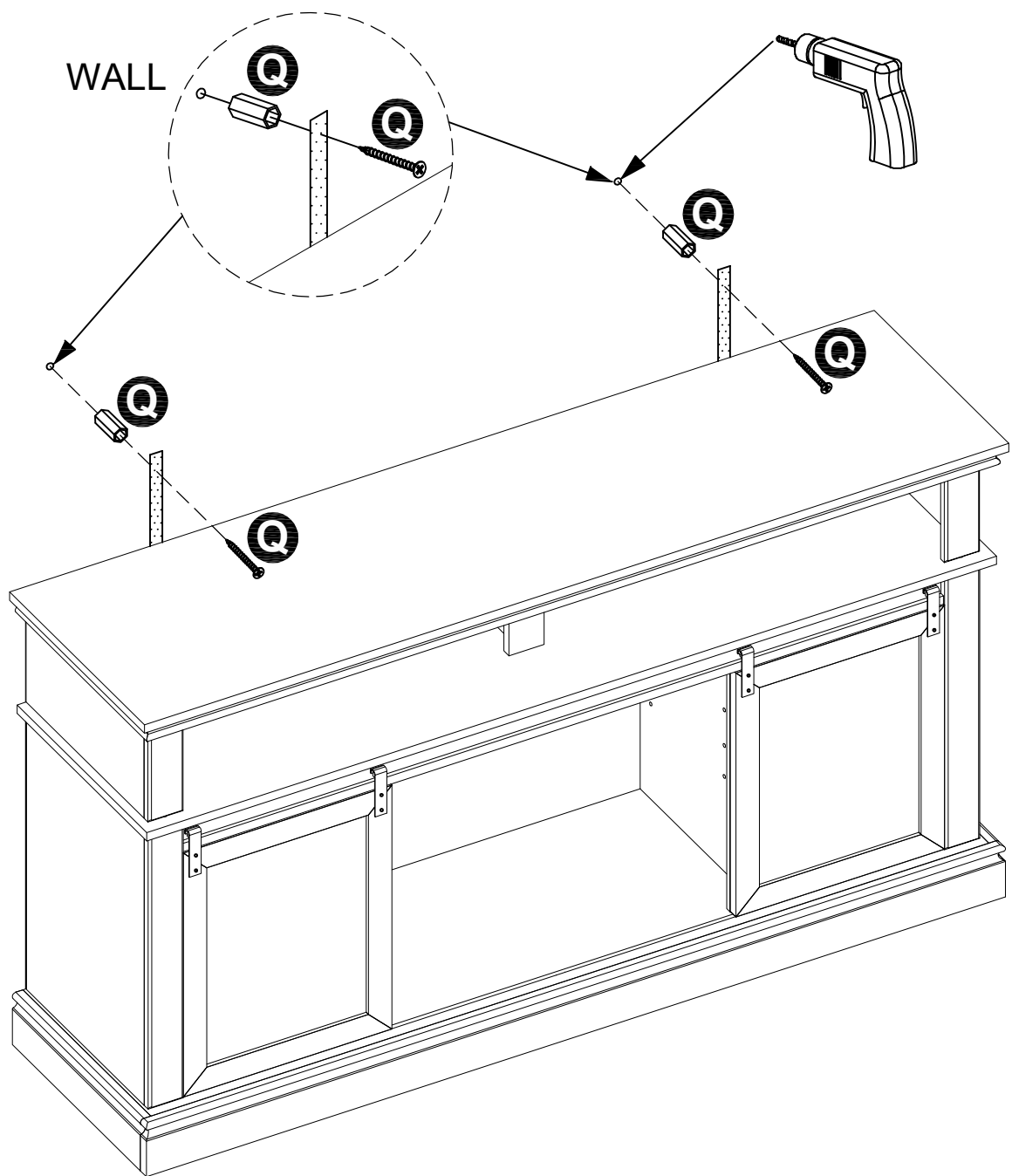
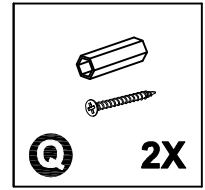
STEP 22

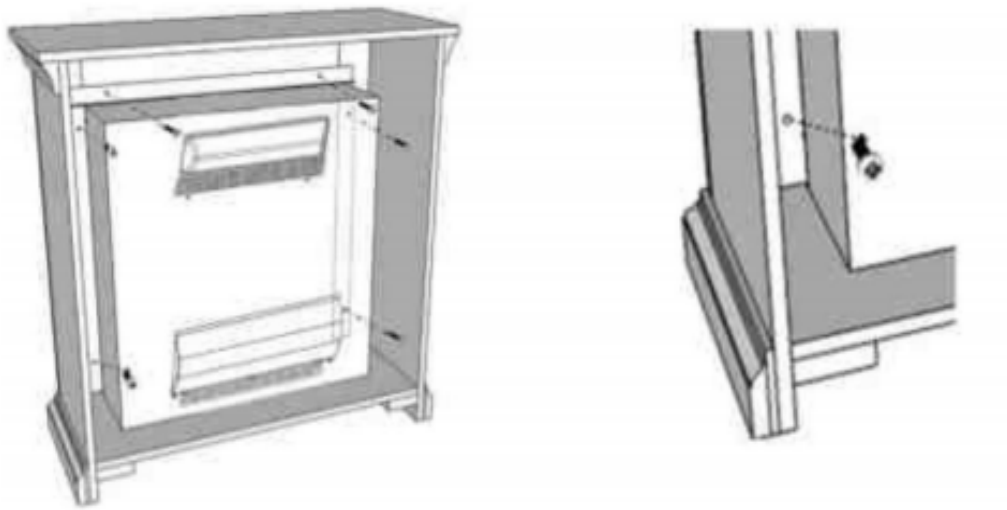


STEP 23



STEP 24





FIREPLACE INSTALLATION

If you decide to install the fireplace into the mantel, carefully set the unit from the back of the mantel and center it in the opening.

Check the alignment and attach the unit to the mantel by inserting screws through the drilled holes on the trim to the mantel.

NOTE: Do not attempt to install the unit from the front of the mantel. It will not fit.