

# TV Stand w/ Fireplace

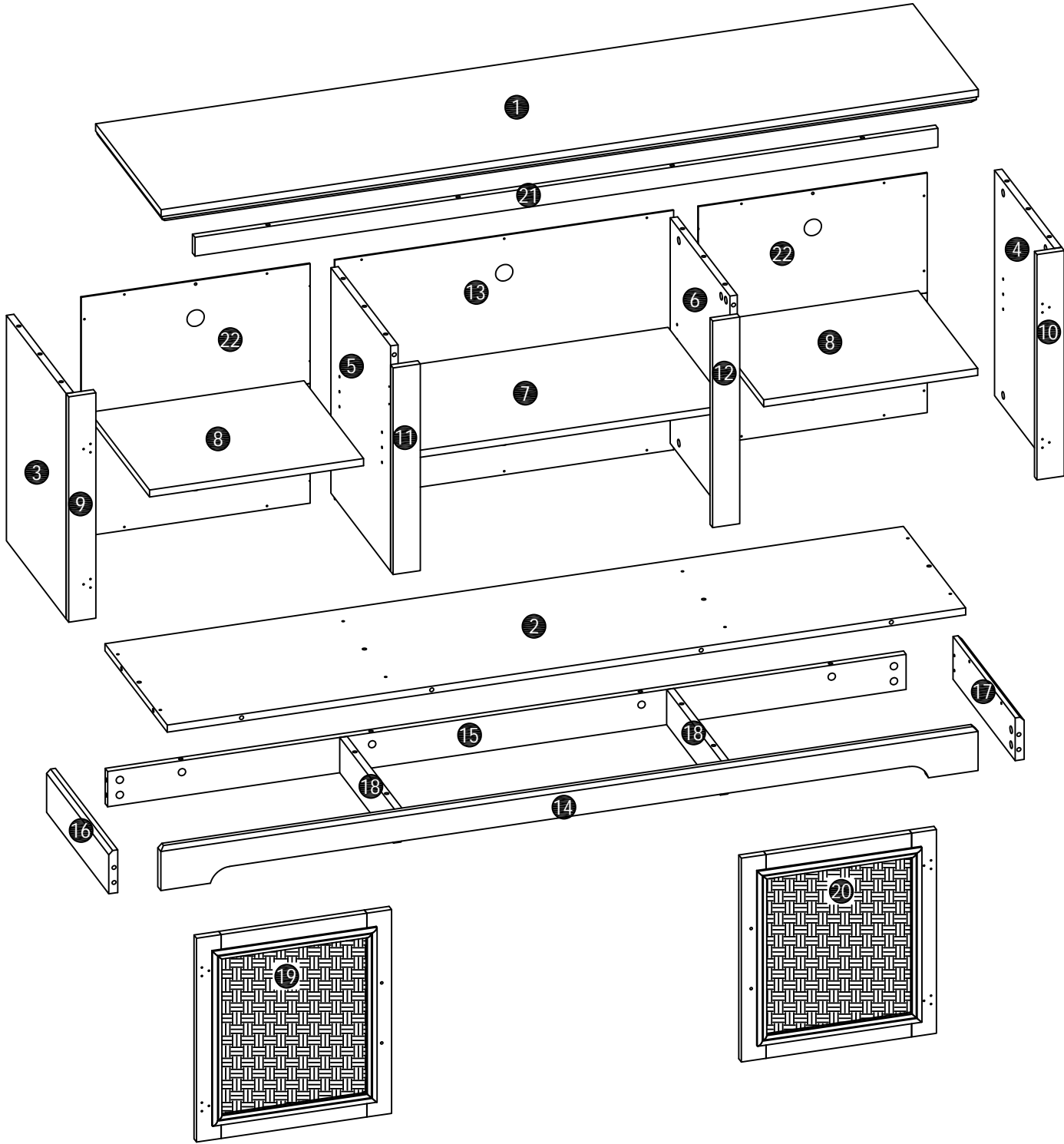
Item:YS-013

## Assembly Instructions

---

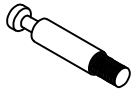
**NOTE:** This instruction manual contains **IMPORTANT** safety information. Please read carefully before assembling the product

# List of Parts



# Hardware

A x 60+2



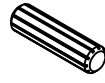
Ø6 x 34mm

B x 60+2



Ø15 x 10mm

C x 8+1



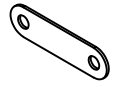
Ø8\*30mm

D x 8+1

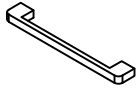


Ø3\*12mm

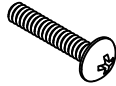
E x 4



F x 2



G x 4



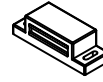
Ø4\*22mm

H x 4+1



Ø3\*16mm

I x 2



J x 30+2



Ø3.5\*12mm

K x 12

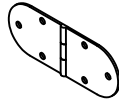


L x 36+2

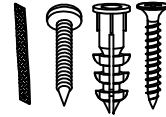


Ø3.5\*12mm

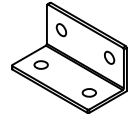
M x 4



N x 2

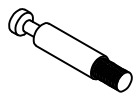


O x 3



# STEP1

A x 4

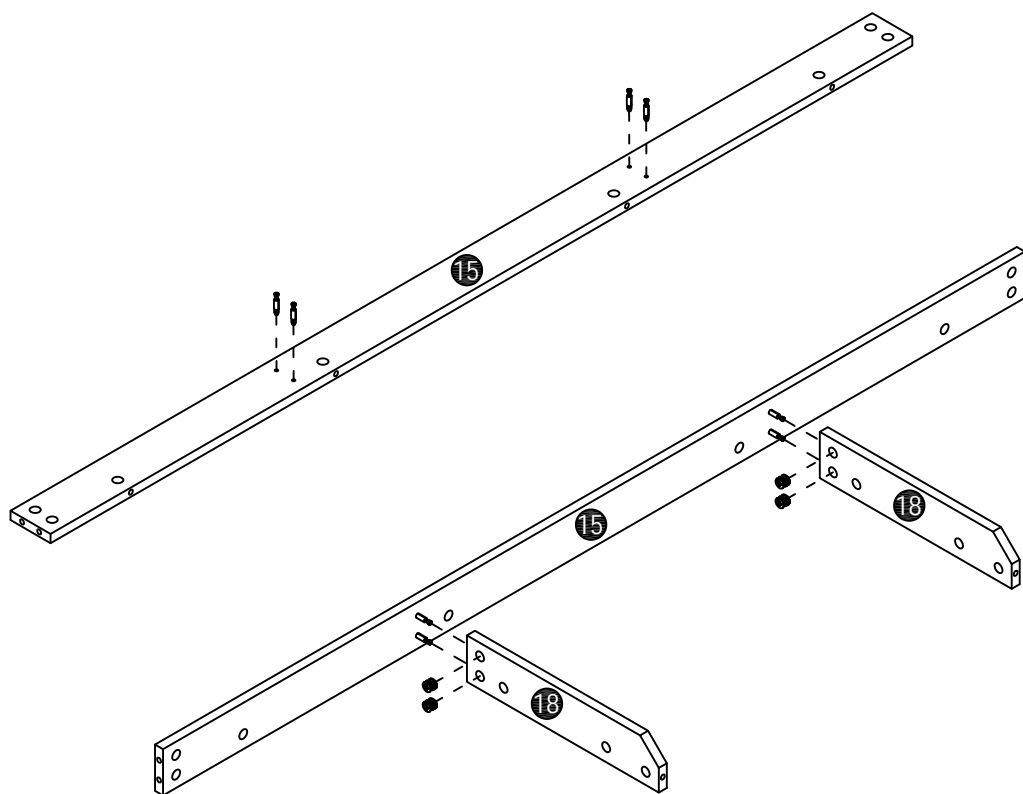


Ø6 x 34mm

B x 4



Ø15 x 10mm

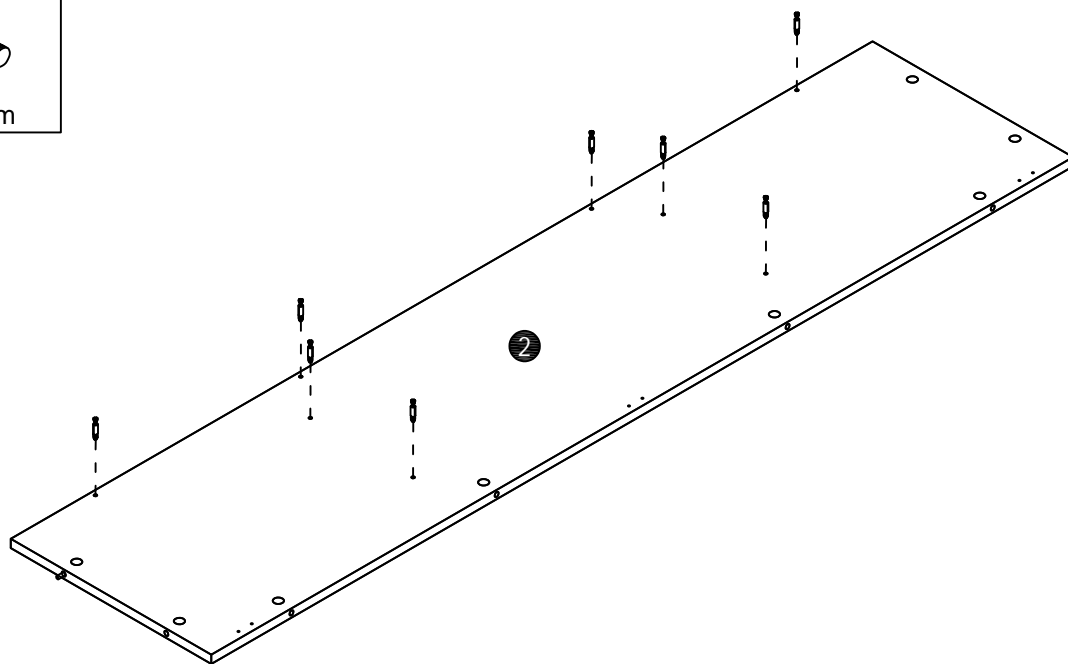


# STEP2

A x 8



Ø6 x 34mm

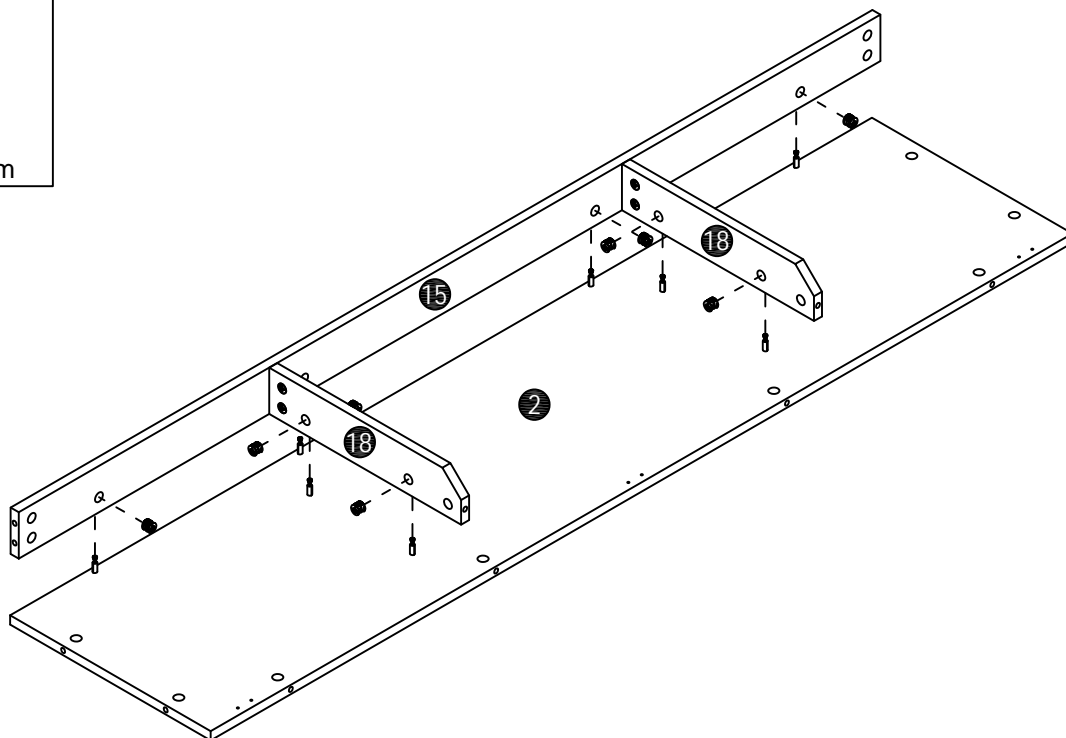


## STEP3

B x 8



Ø15 x 10mm

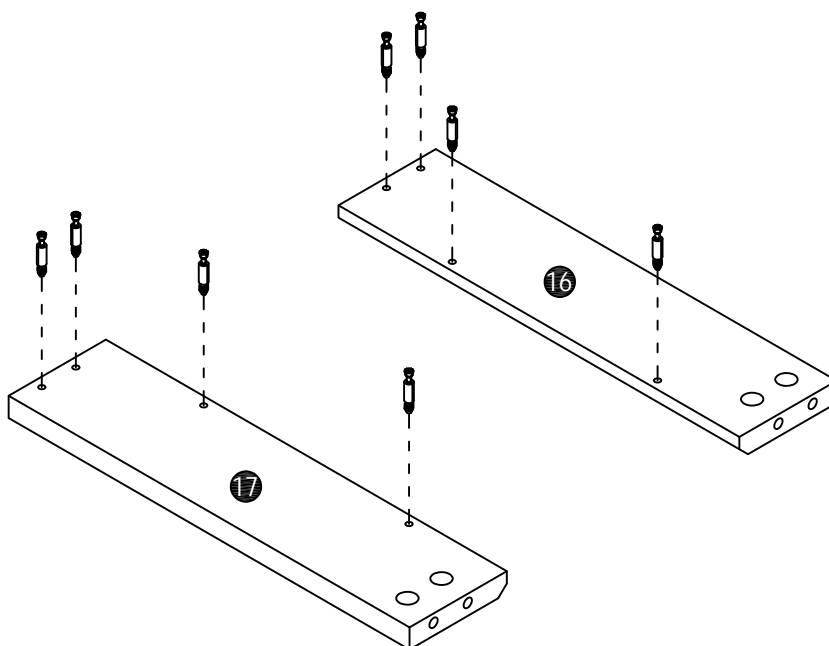


## STEP4

A x 8



Ø6 x 34mm

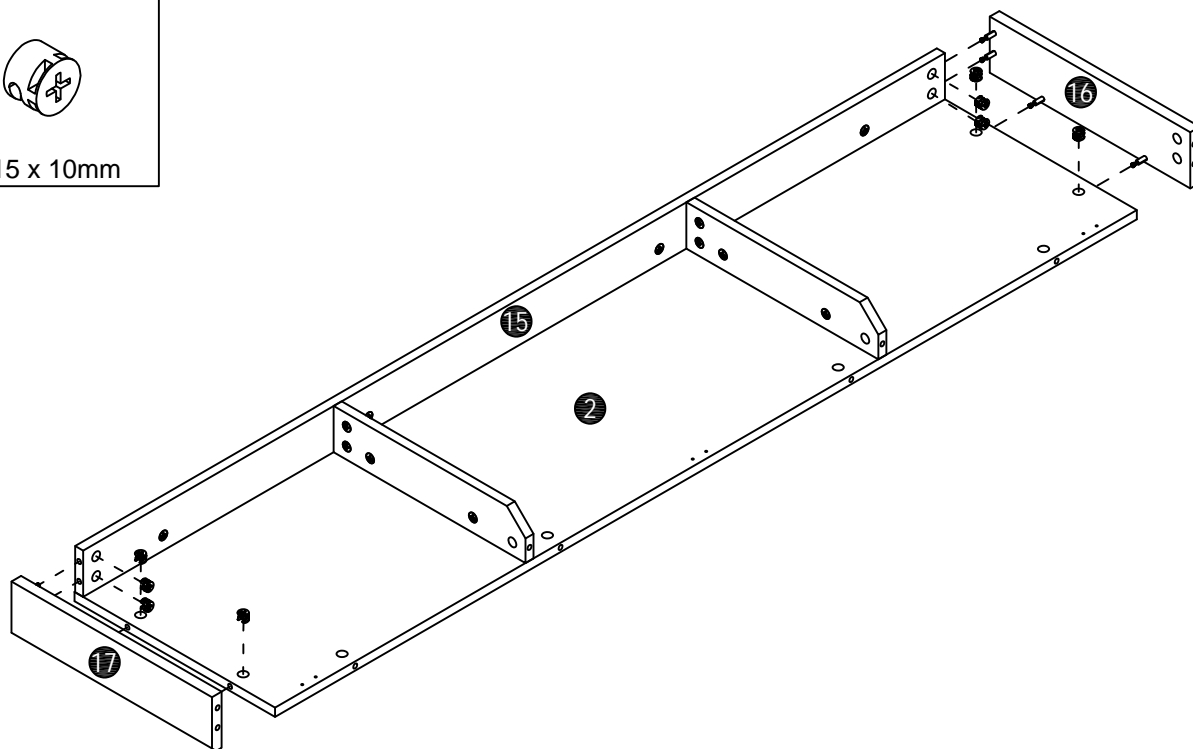


## STEP5

B x 8



Ø15 x 10mm

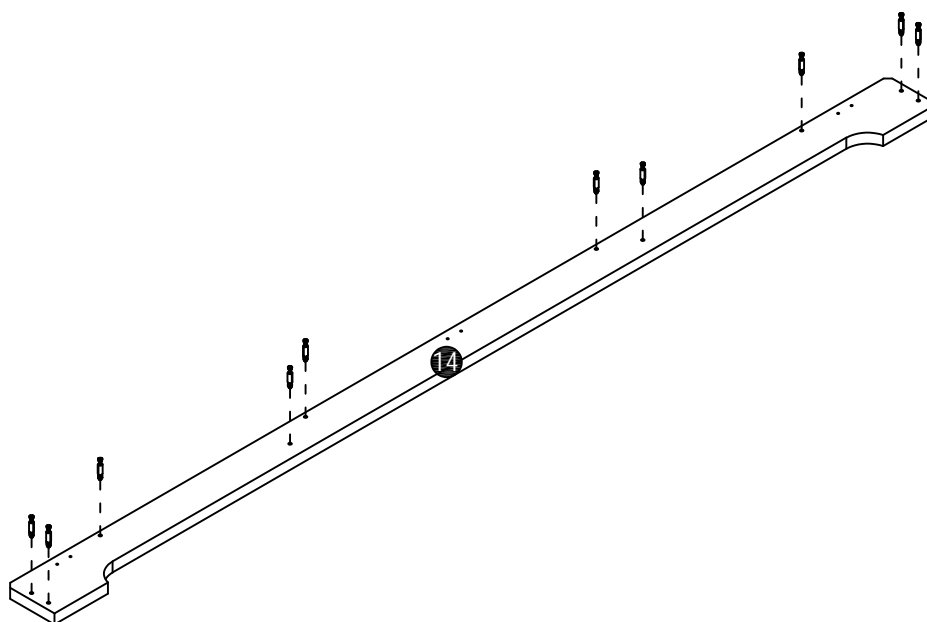


## STEP6

A x 10



Ø6 x 34mm

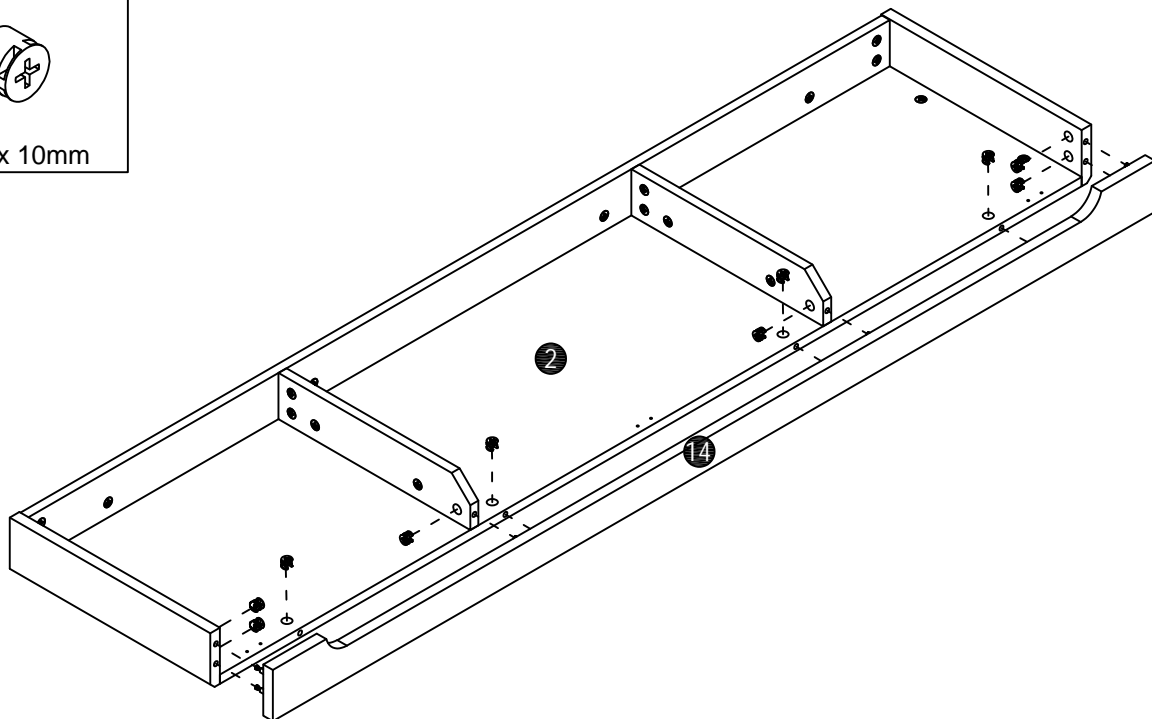


# STEP7

B x 10



Ø15 x 10mm



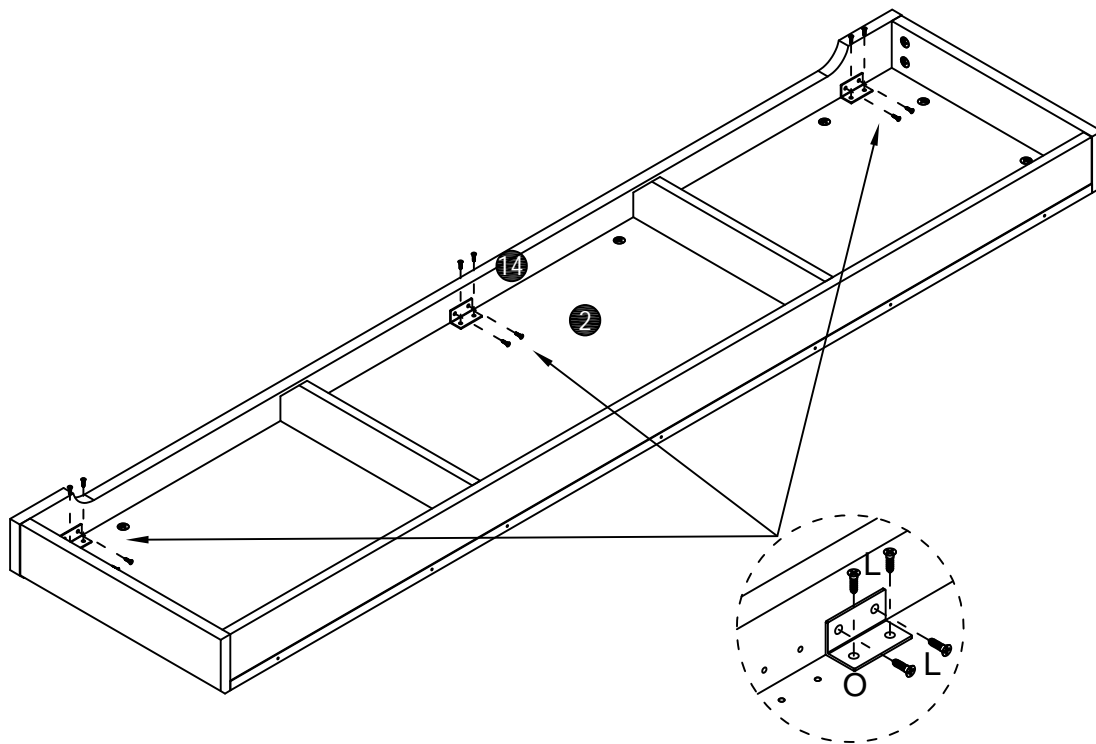
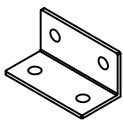
# STEP8

L x 12



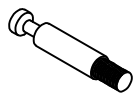
Ø3.5\*12mm

O x 3

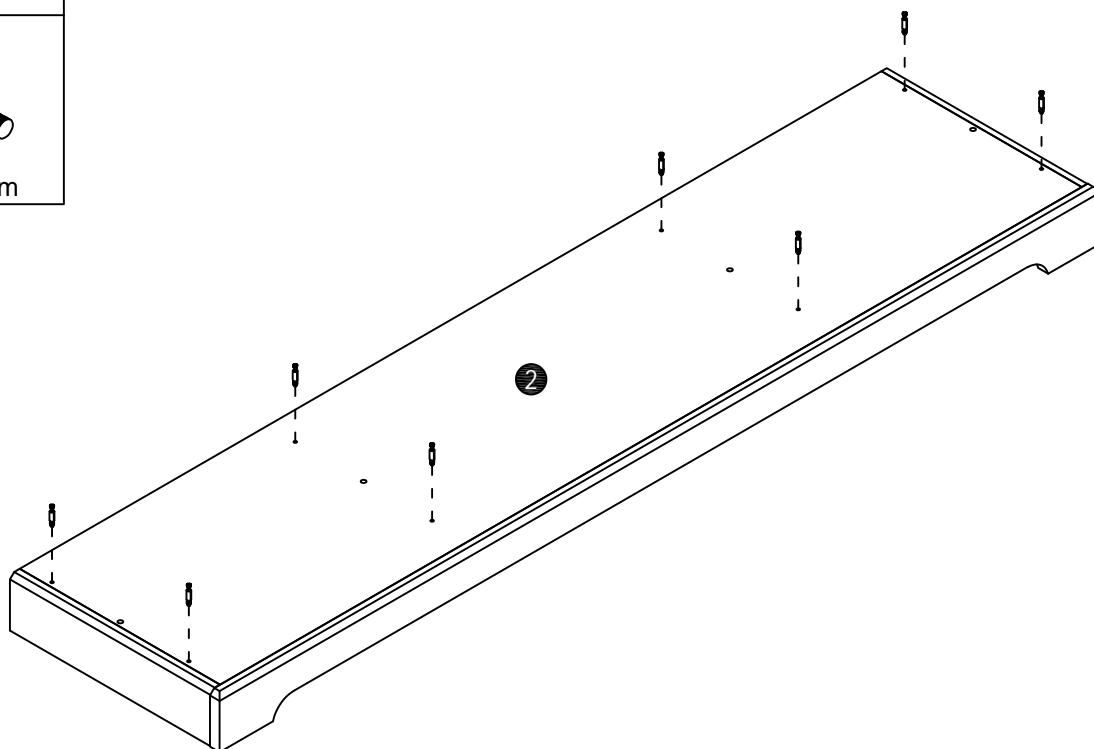


# STEP9

A x 8



Ø6 x 34mm

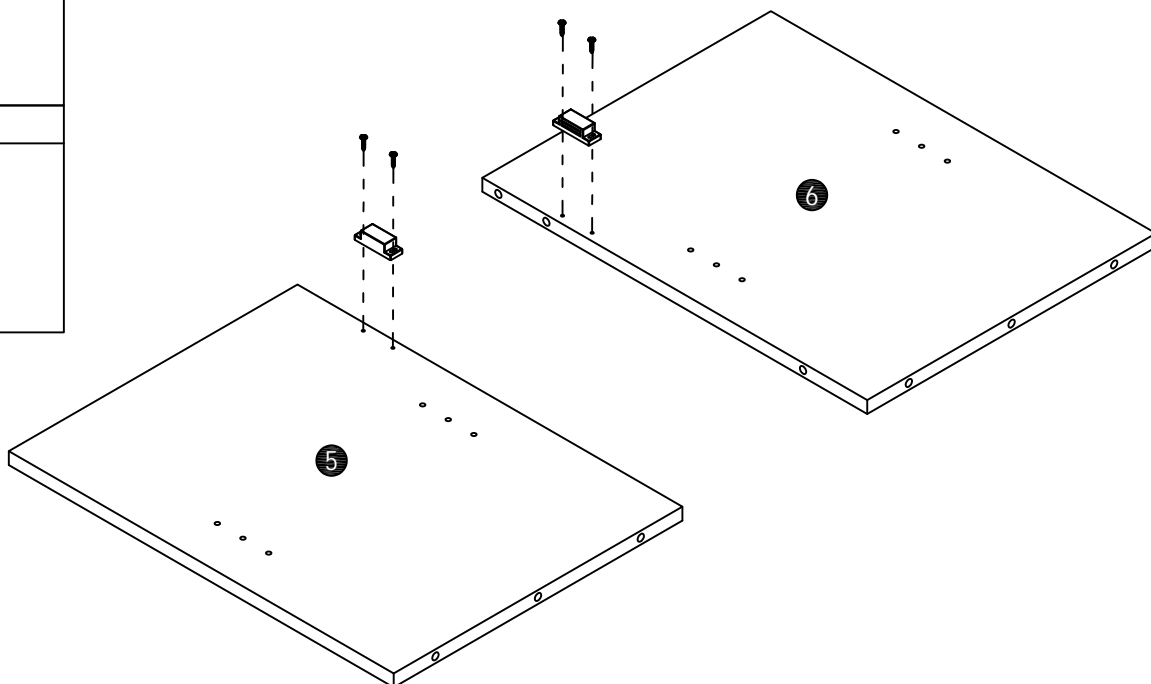
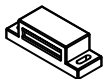


# STEP10

H x 4

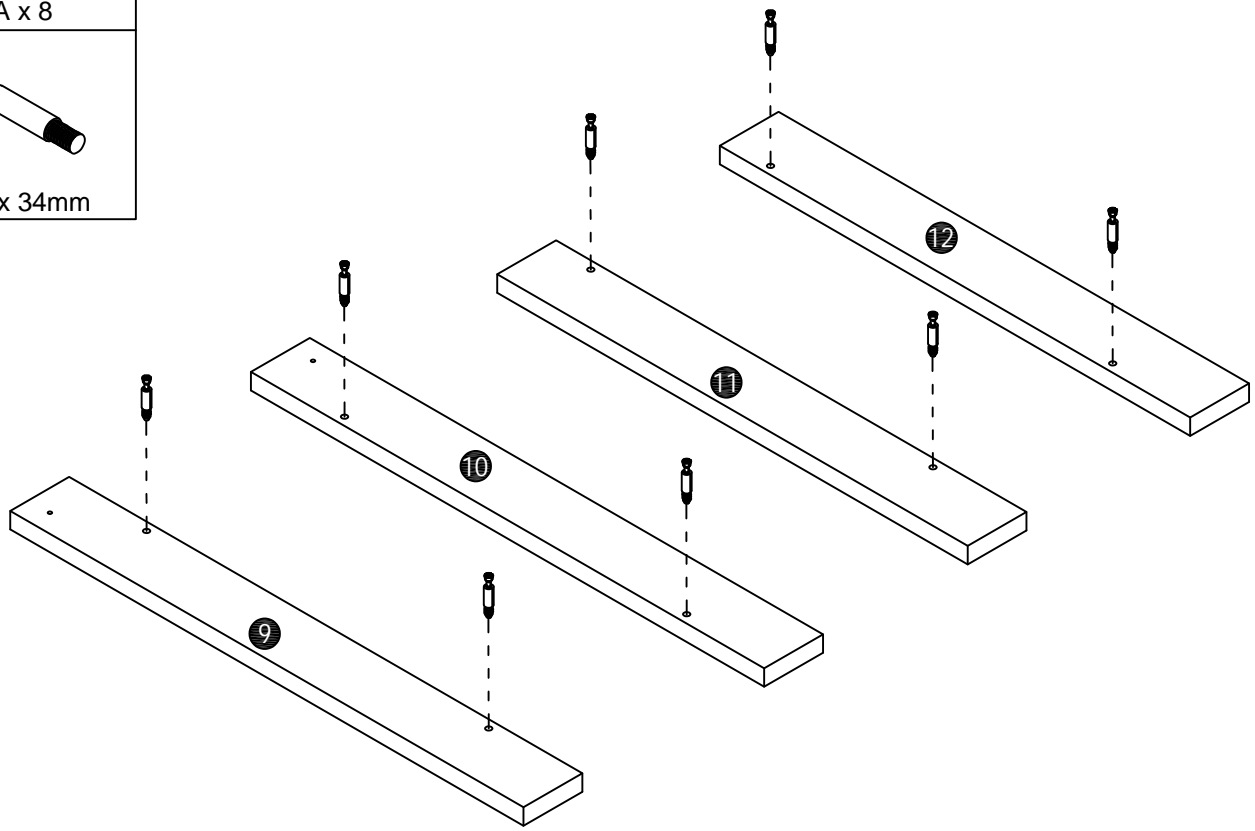
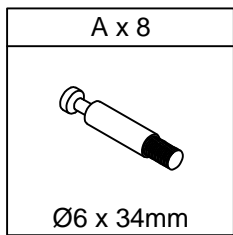


l x 2

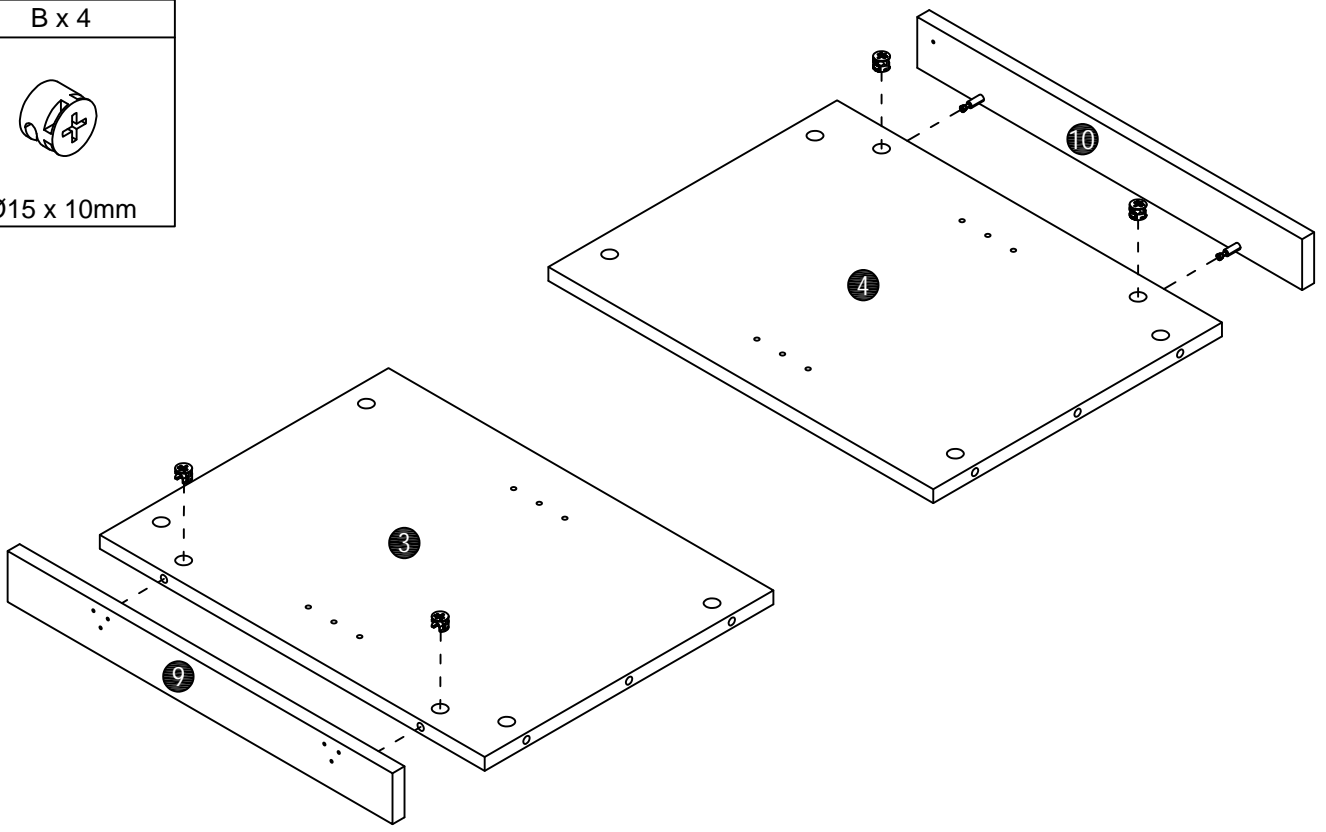
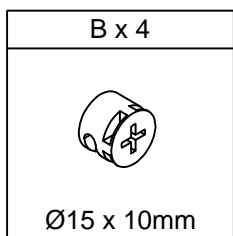




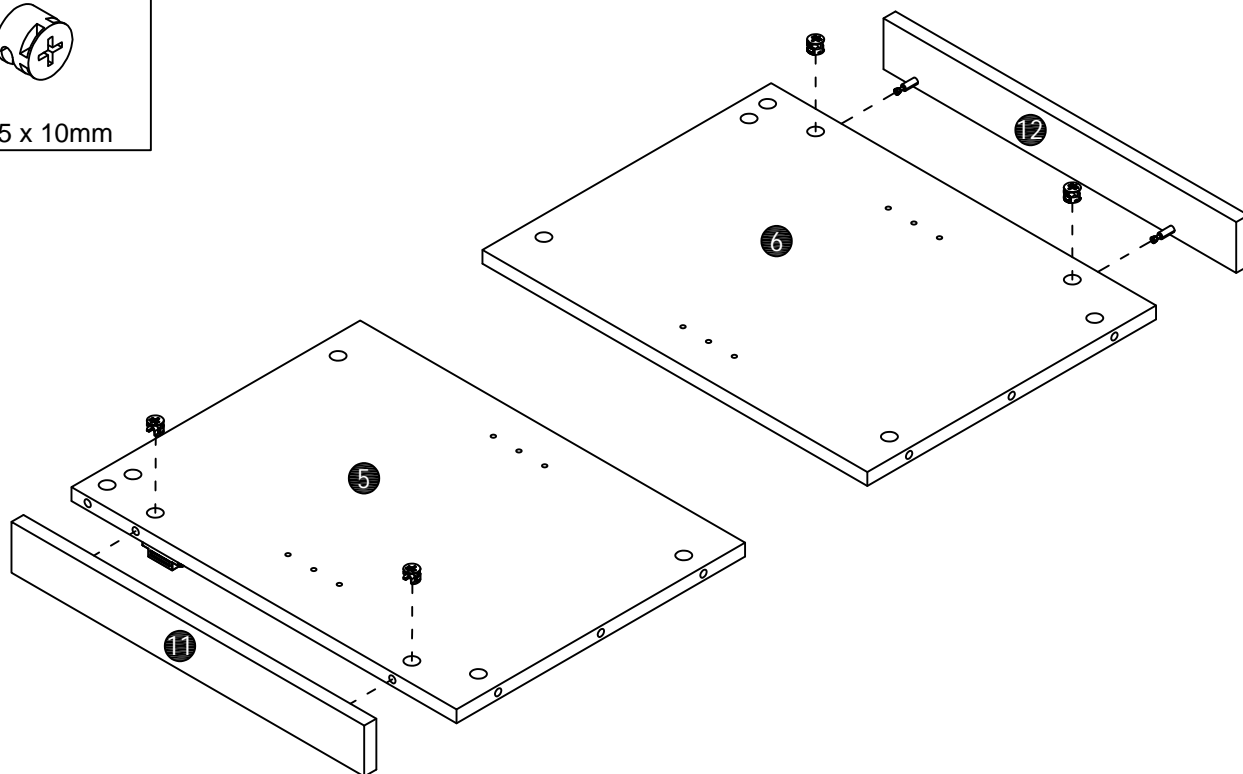
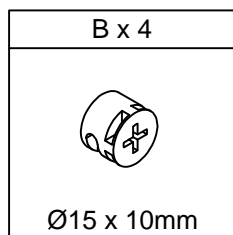
# STEP11



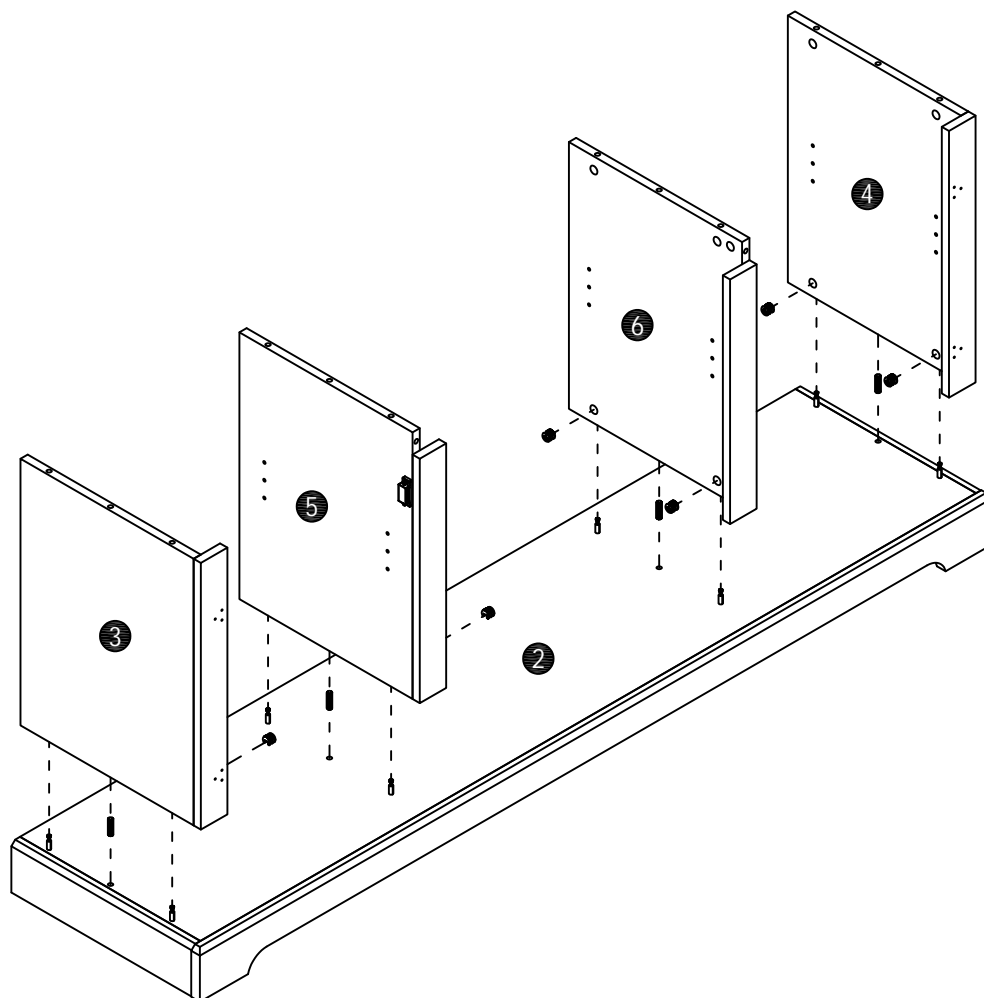
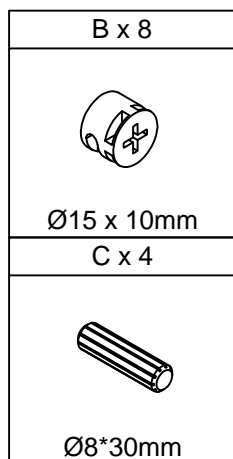
# STEP12



# STEP13

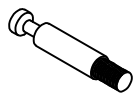


# STEP14

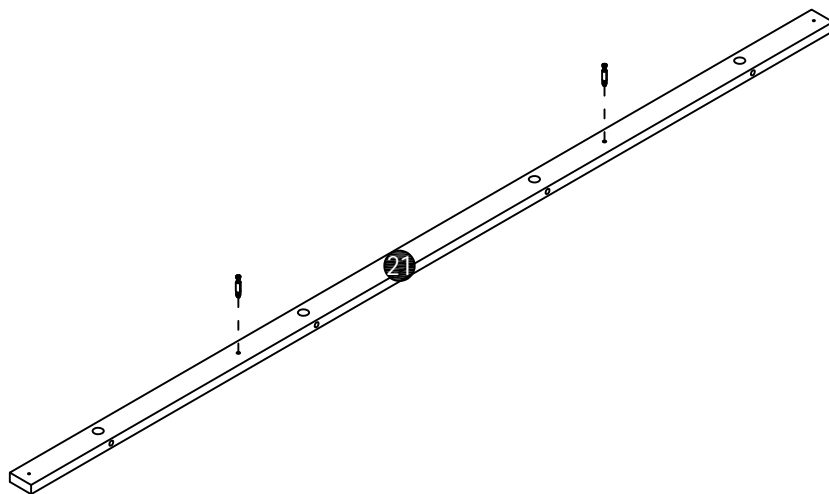


# STEP15

A x 2



Ø6 x 34mm

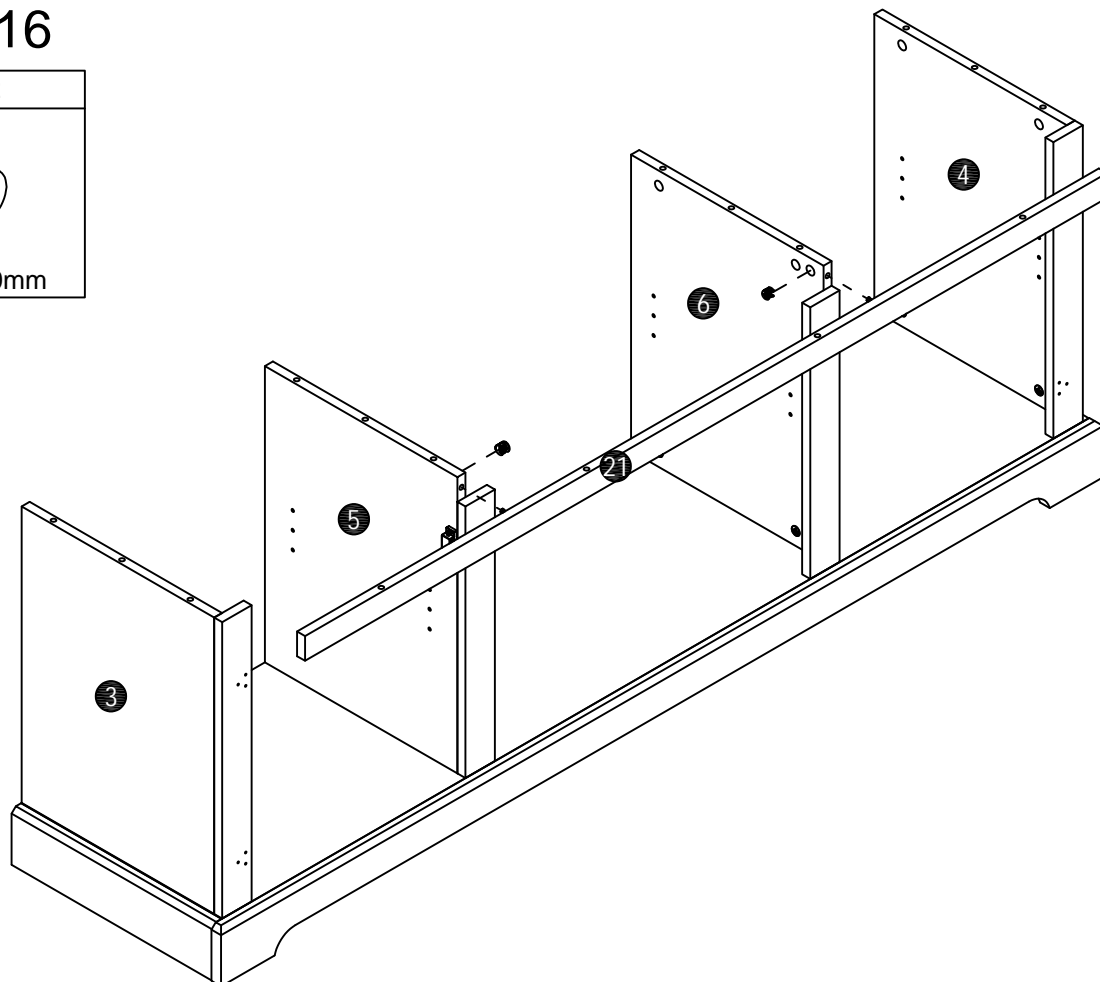


# STEP16

B x 2

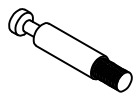


Ø15 x 10mm

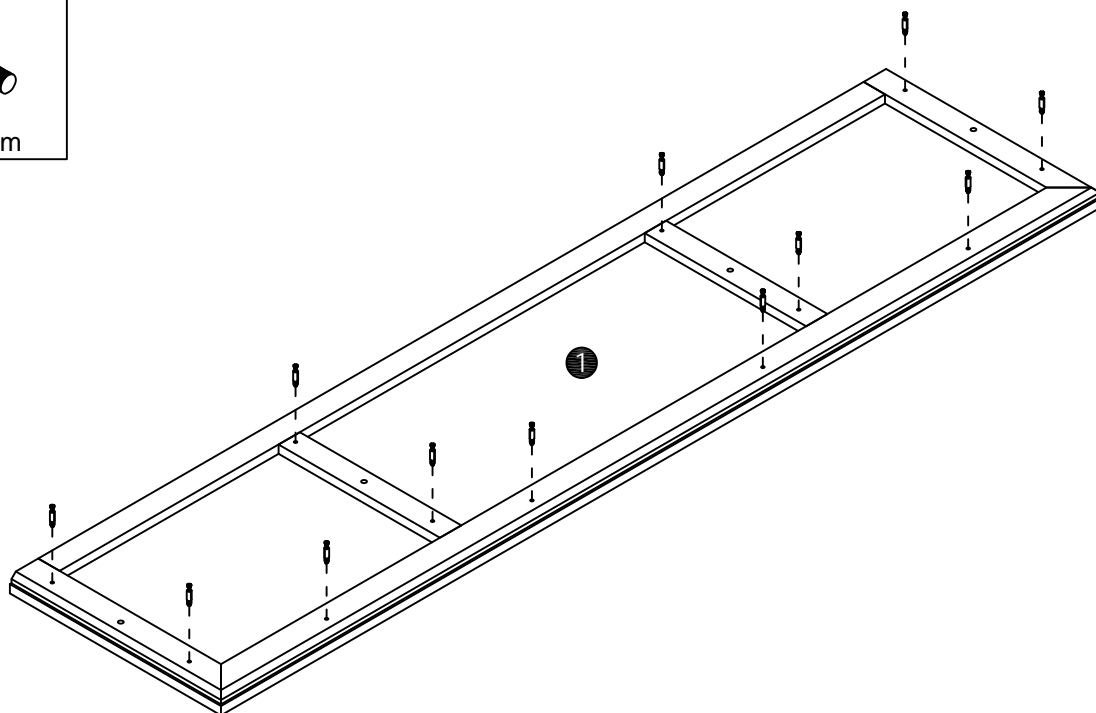


# STEP17

A x 12



Ø6 x 34mm



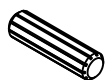
# STEP18

B x 12

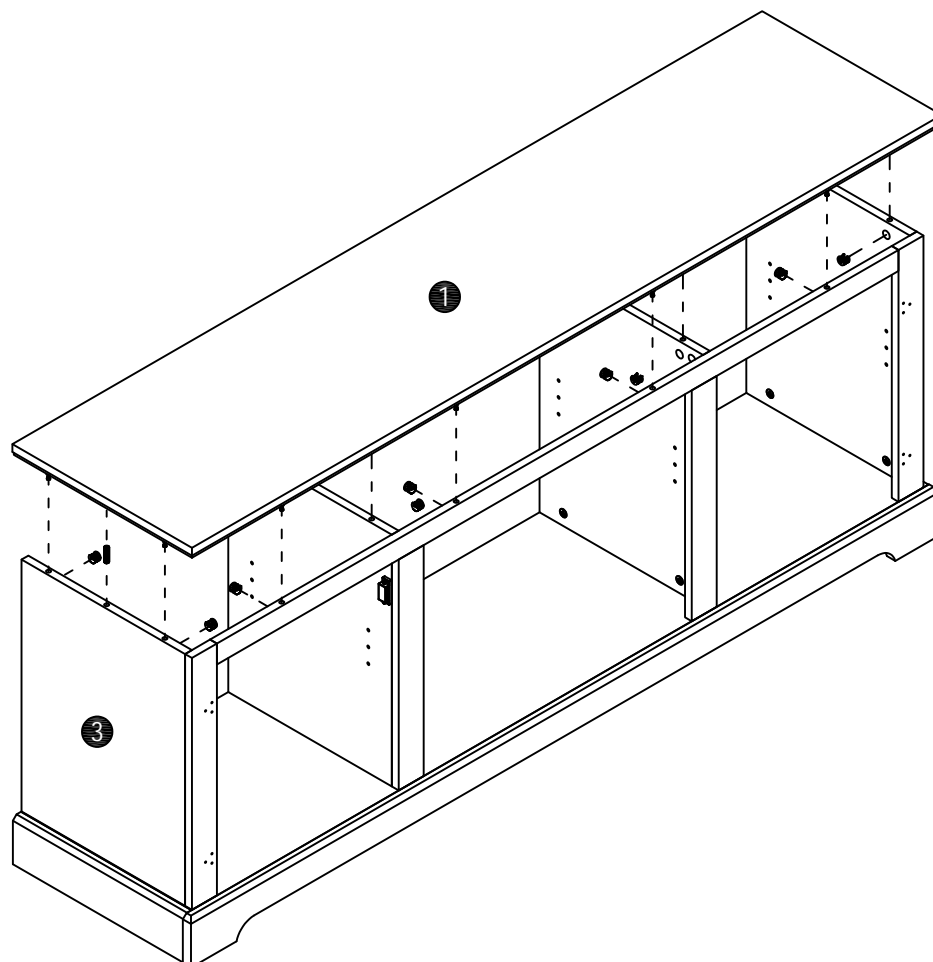


Ø15 x 10mm



C x 4

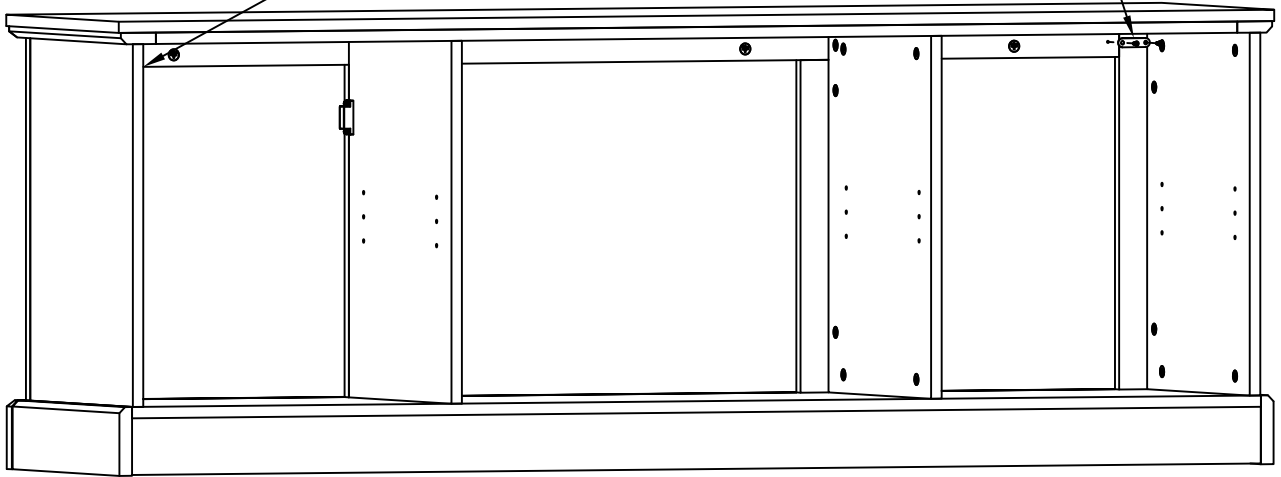
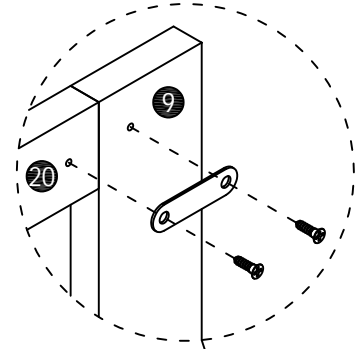
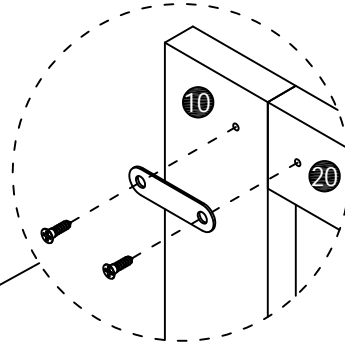


Ø8\*30mm


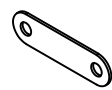
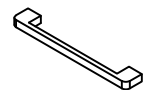



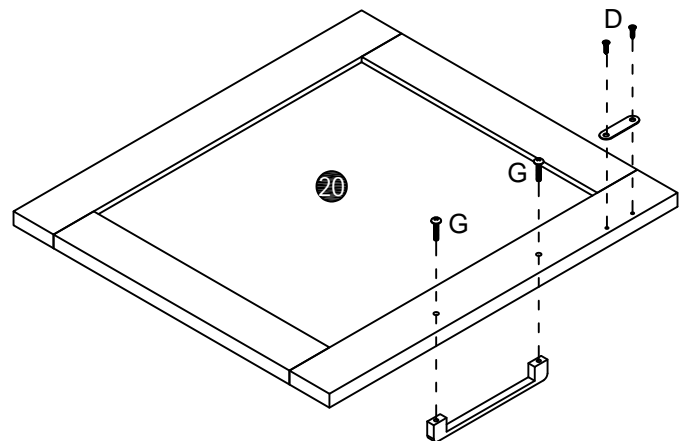
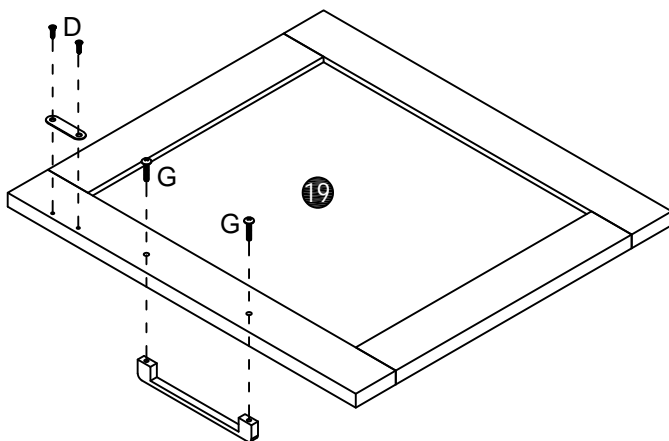
# STEP19

D x 4	E x 2
	
Ø3*12mm	


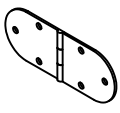


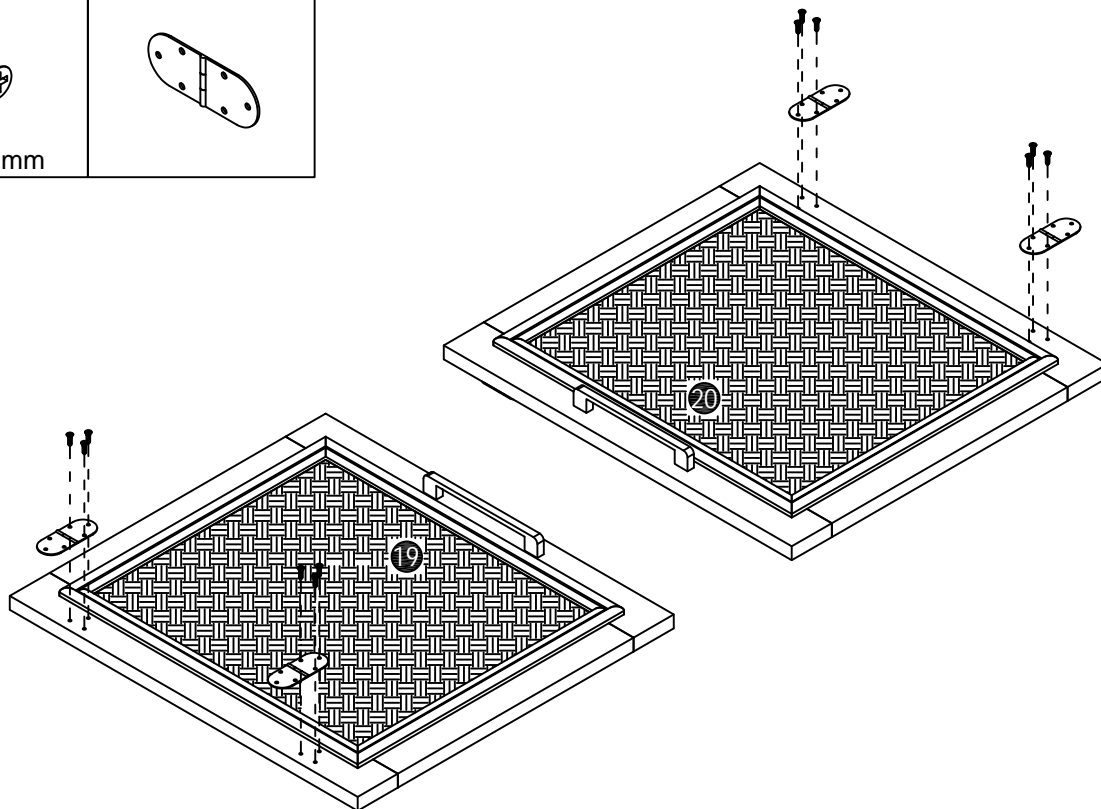
# STEP20

D x 4	E x 2	F x 2	G x 4
			
Ø3*12mm			Ø4*22mm




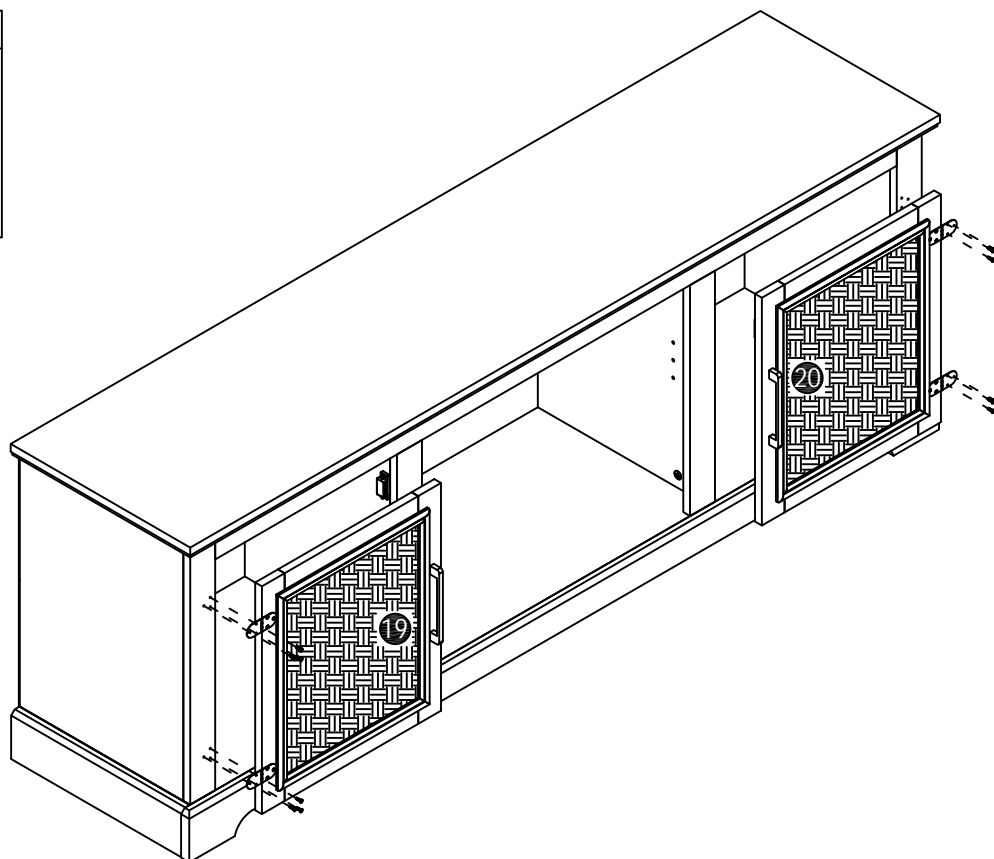
# STEP21

L x 12	M x 4
	
Ø3.5*12mm	



# STEP22

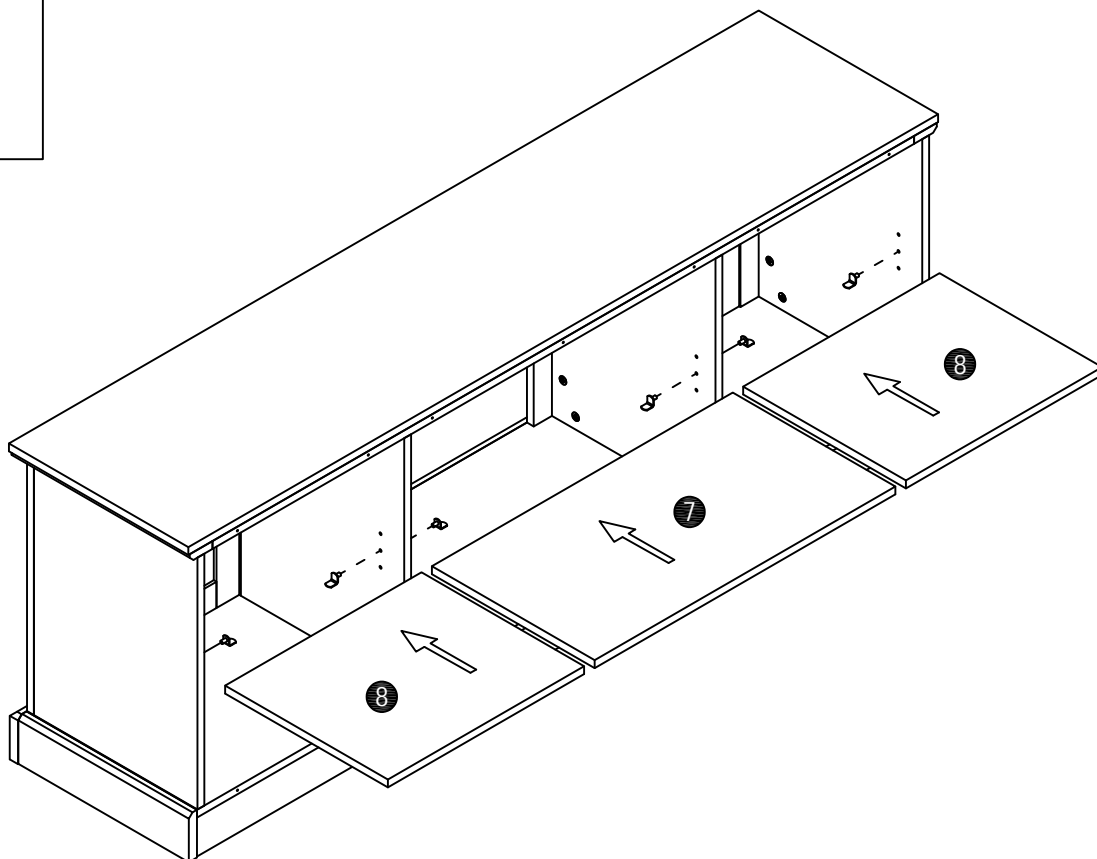
L x 12

Ø3.5*12mm



## STEP23

K x 12

### TV STAND ASSEMBLY

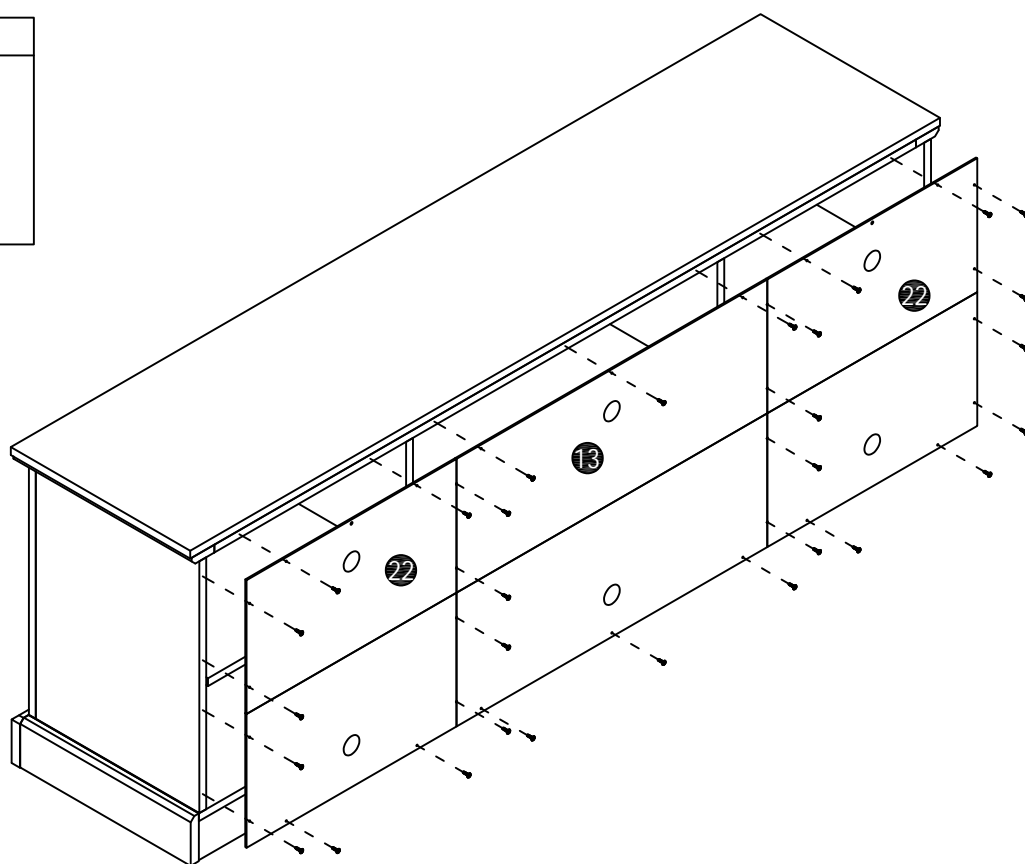


## STEP24

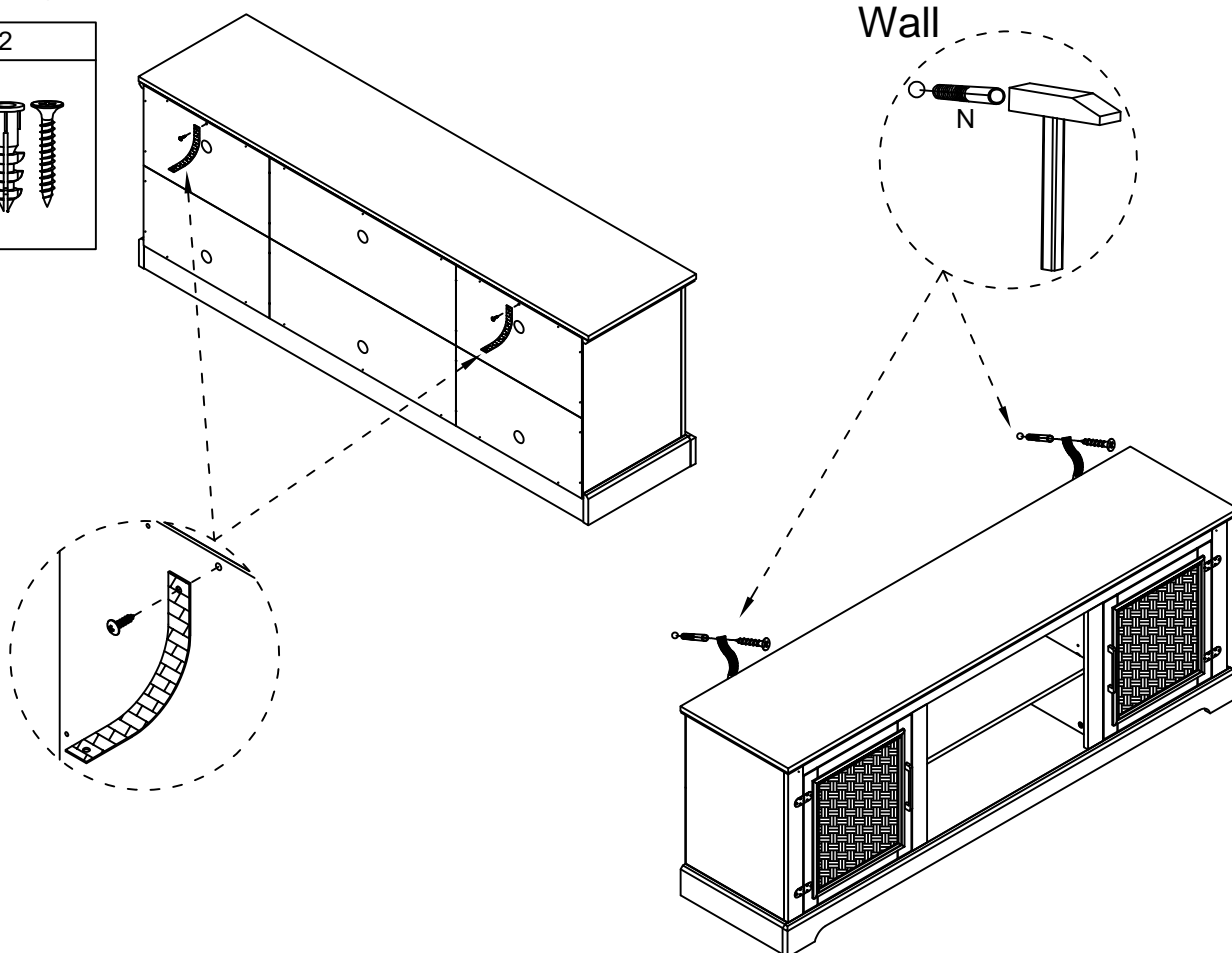
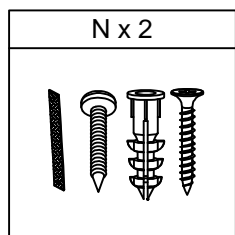
J x 30



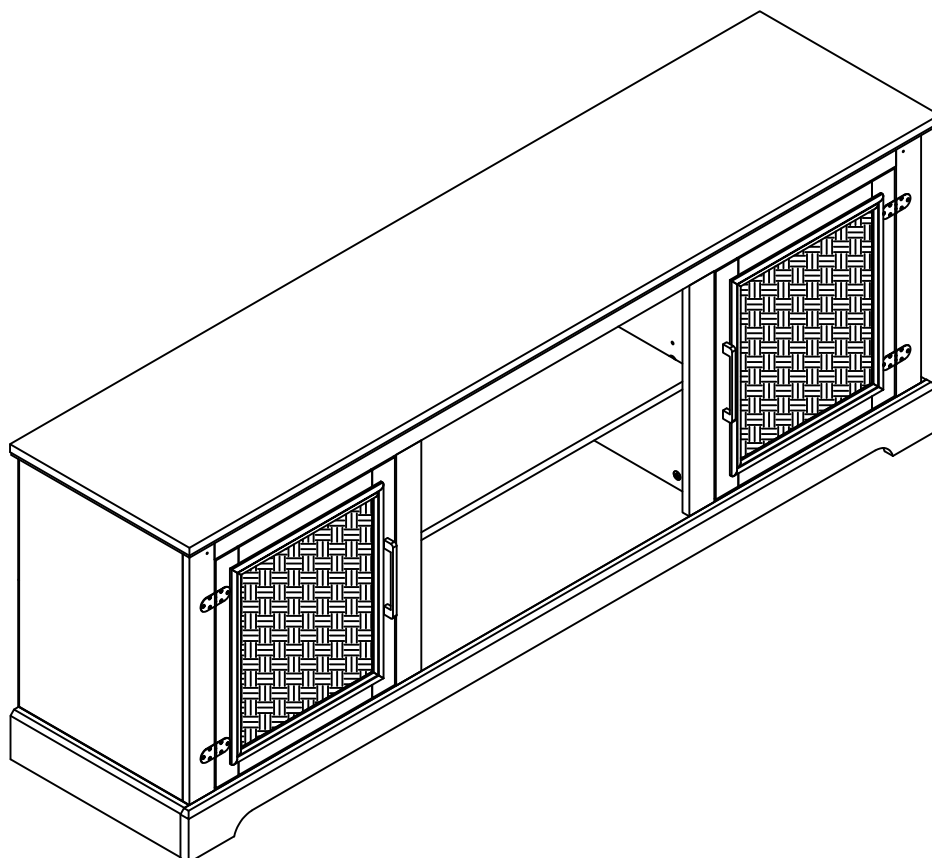
Ø3.5\*12mm



# STEP25



# STEP26

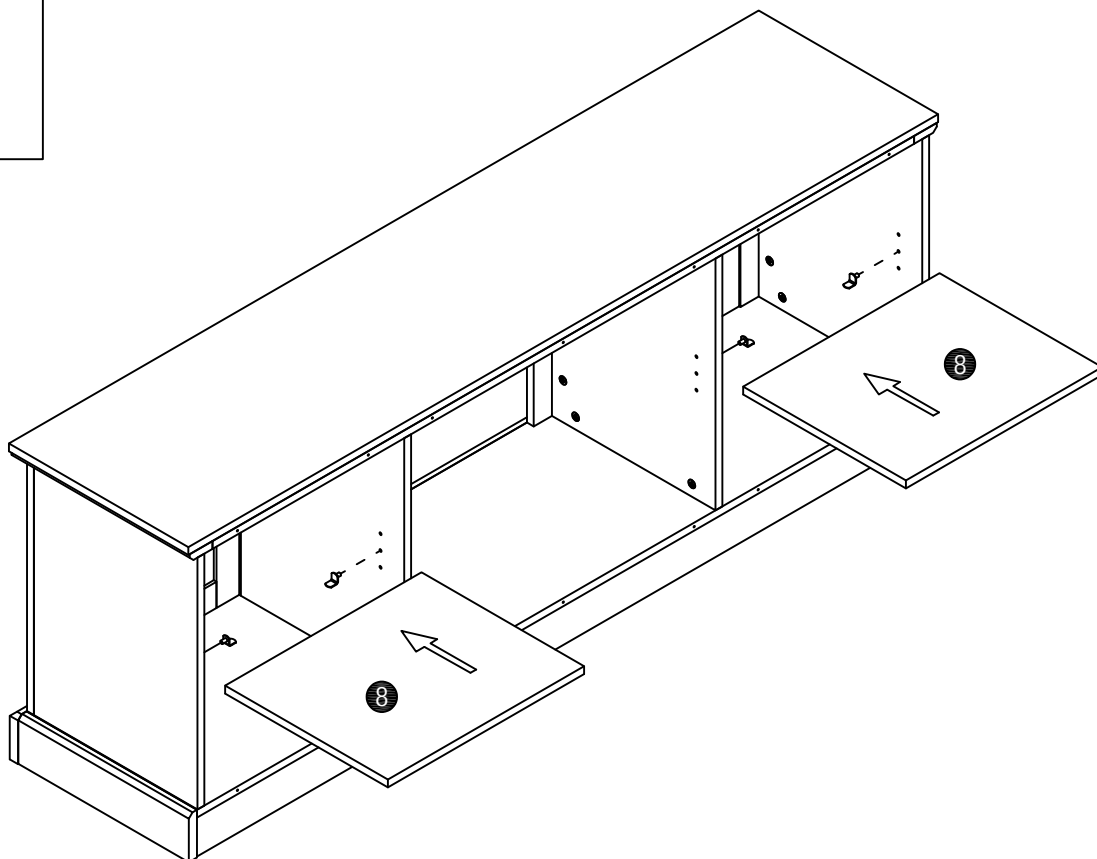




## STEP23

### FIREPLACE MANTEL ASSEMBLY

K x 8

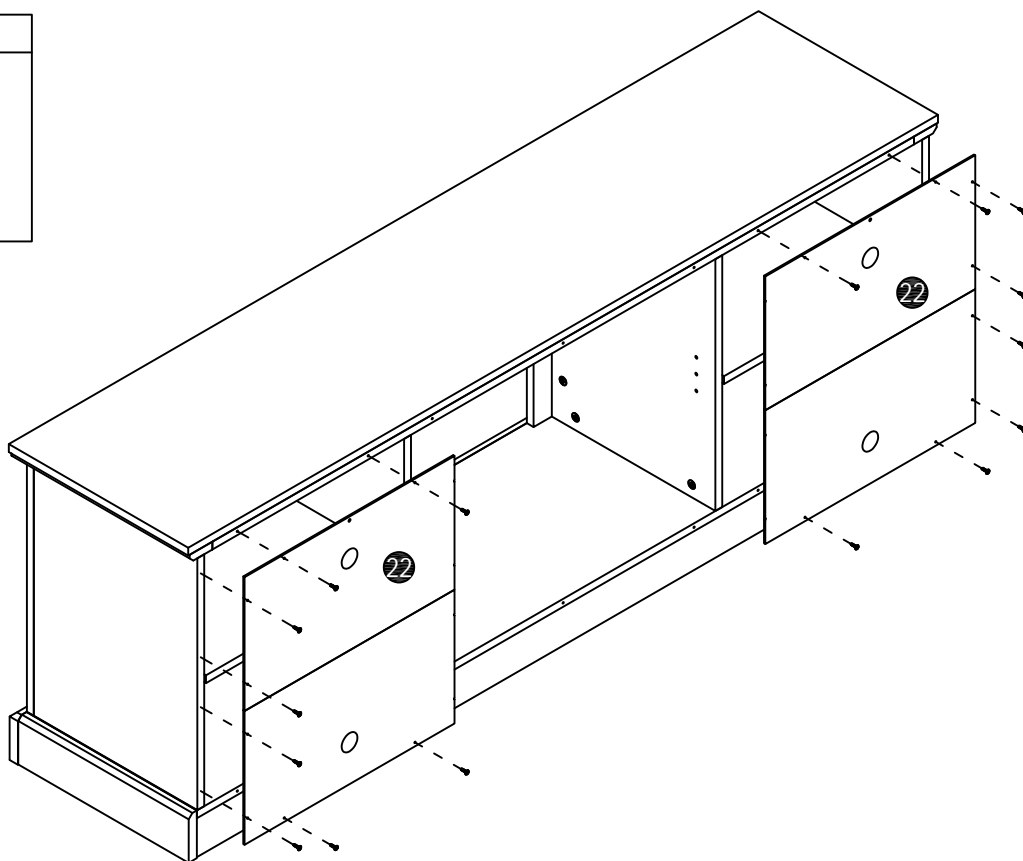


## STEP24

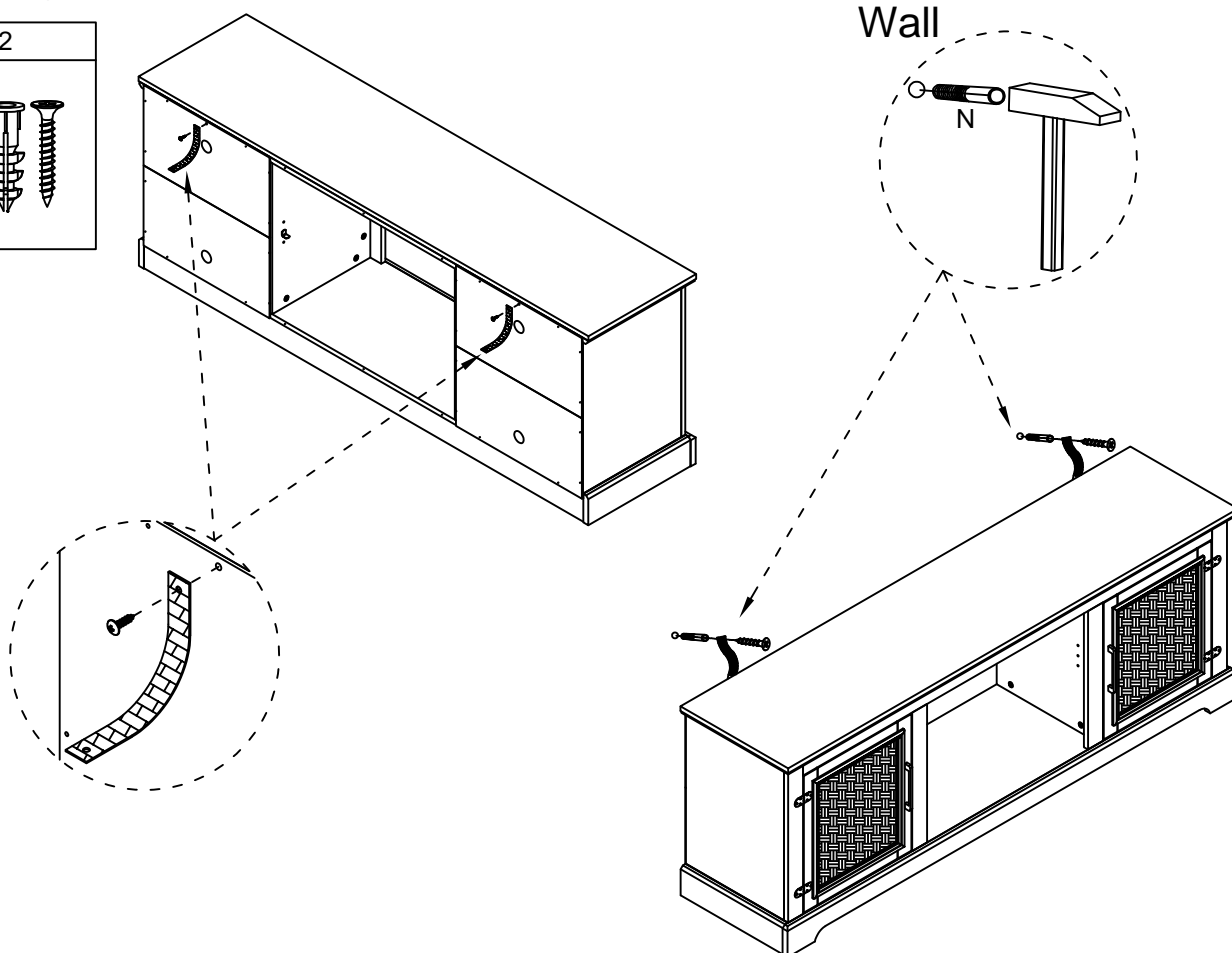
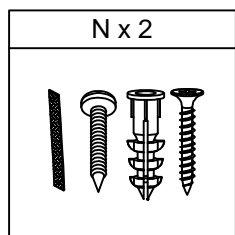
J x 16



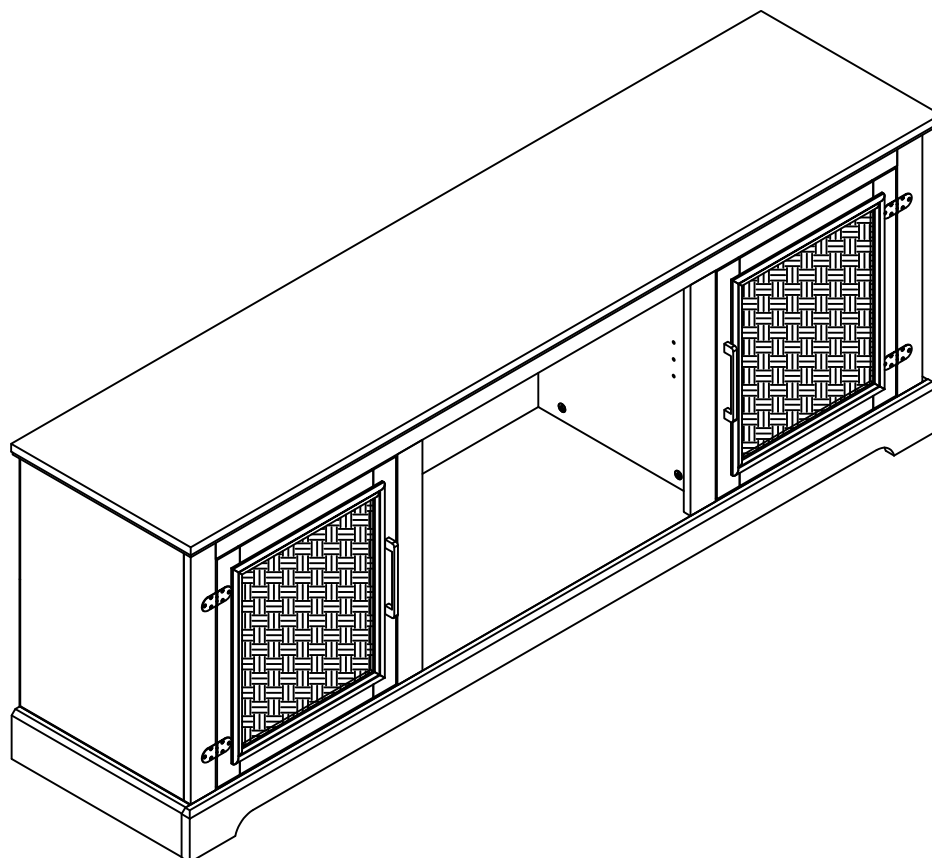
Ø3.5\*12mm

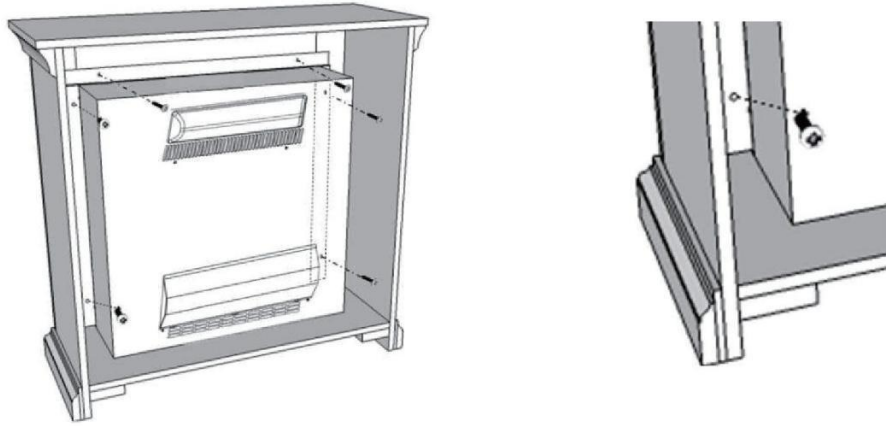


# STEP25



# STEP26





## **FIREPLACE INSTALLATION**

If you decide to install the fireplace into the mantel, carefully set the unit from the back of the mantel and center it in the opening.

Check the alignment and attach the unit to the mantel by inserting screws through the drilled holes on the trim to the mantel.

**NOTE:** Do not attempt to install the unit from the front of the mantel. It will not fit.