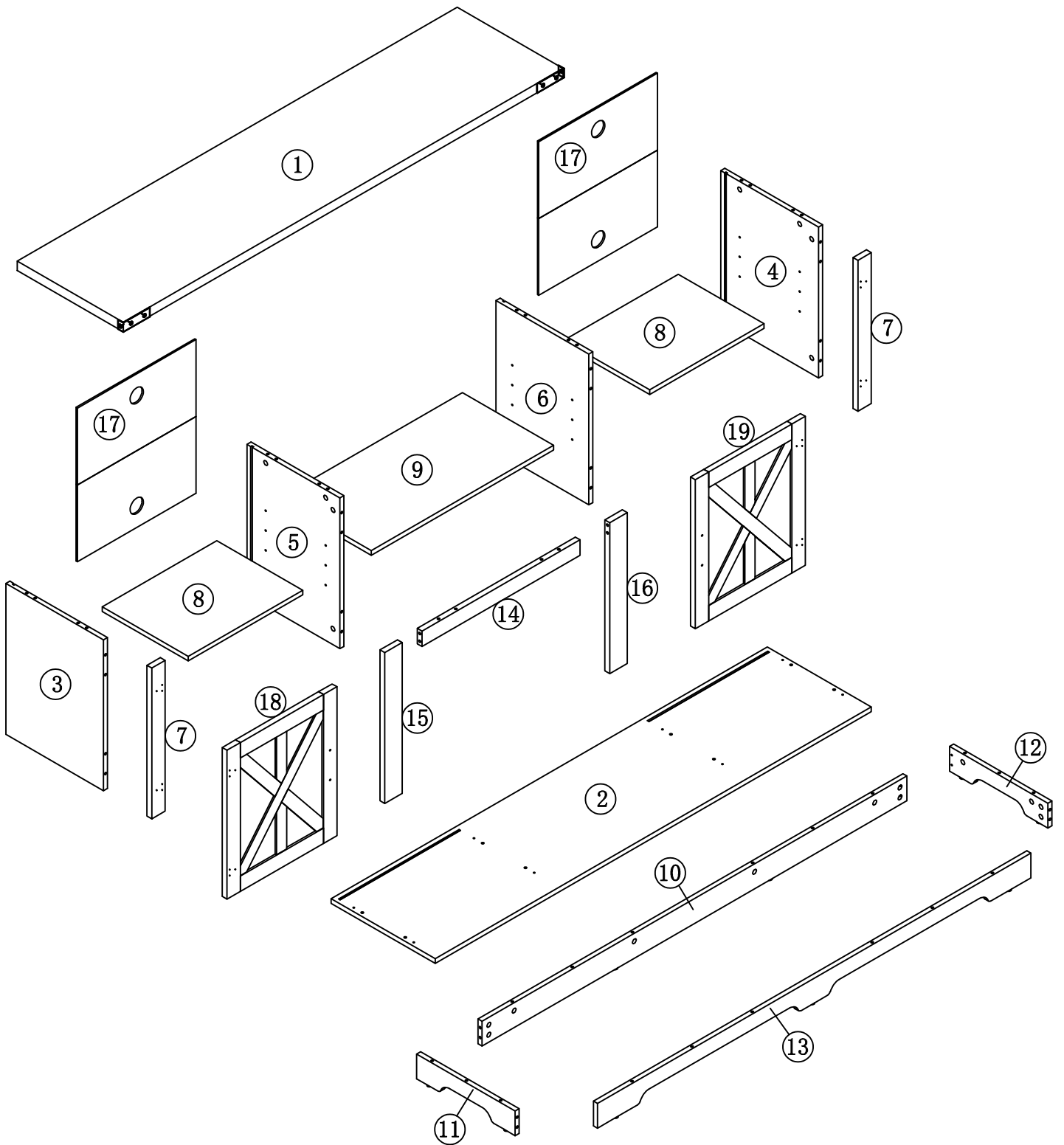


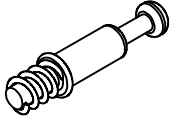

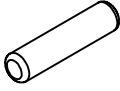
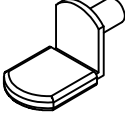
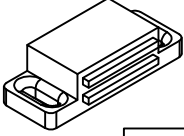
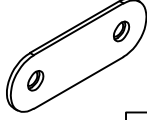
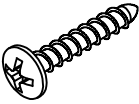
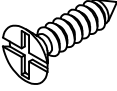
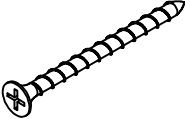
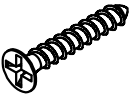
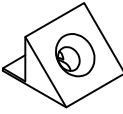

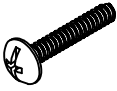

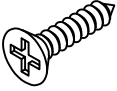
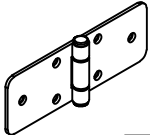
TV Stand

Item: FP-240101

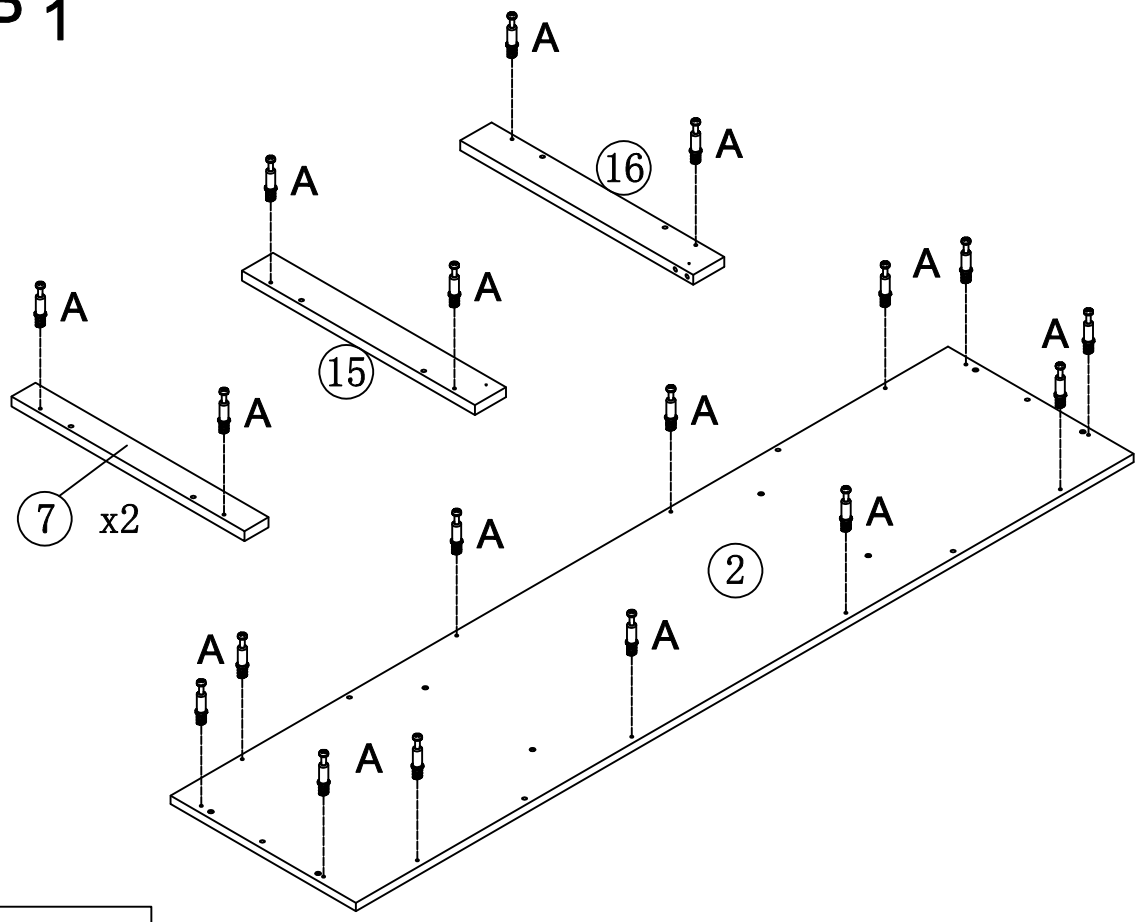
Assembly Instructions

NOTE: This instruction manual contains **IMPORTANT** safety information. Please read carefully before assembling the product



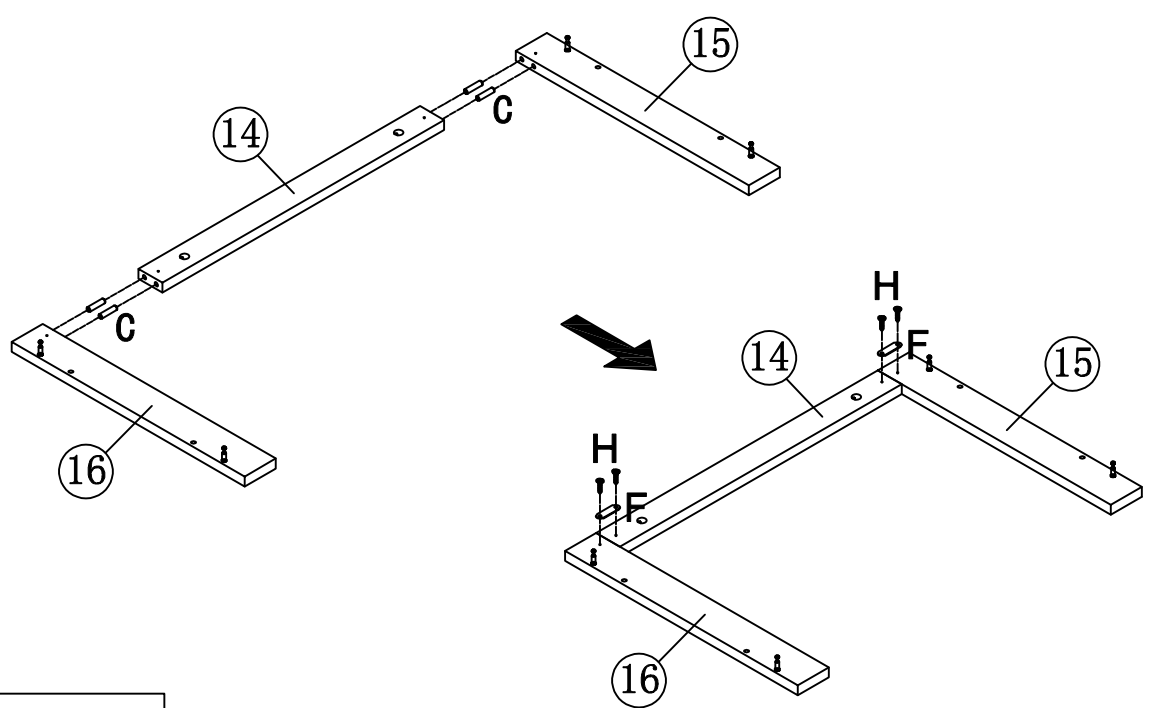
<p>A</p>  <p>M6*33.5mm 38+2pcs</p>	<p>B</p>  <p>∅15*11.5 38+2pcs</p>	<p>C</p>  <p>∅8*30mm 36+2pcs</p>
<p>D</p>  <p>12+1pcs</p>	<p>E</p>  <p>2pcs</p>	<p>F</p>  <p>4pcs</p>
<p>G</p>  <p>M3*15mm 4pcs</p>	<p>H</p>  <p>M3*12mm 8+1pcs</p>	<p>I</p>  <p>M4*50mm 8+1pcs</p>
<p>J</p>  <p>∅3*17mm 8+1pcs</p>	<p>K</p>  <p>8+1pcs</p>	<p>L</p>  <p>2pcs</p>
<p>M</p>  <p>M4*19mm 4pcs</p>	<p>N</p>  <p>1pcs</p>	<p>O</p>  <p>M3.5*14mm 24+2pcs</p>
<p>P</p>  <p>4pcs</p>		




STEP 1



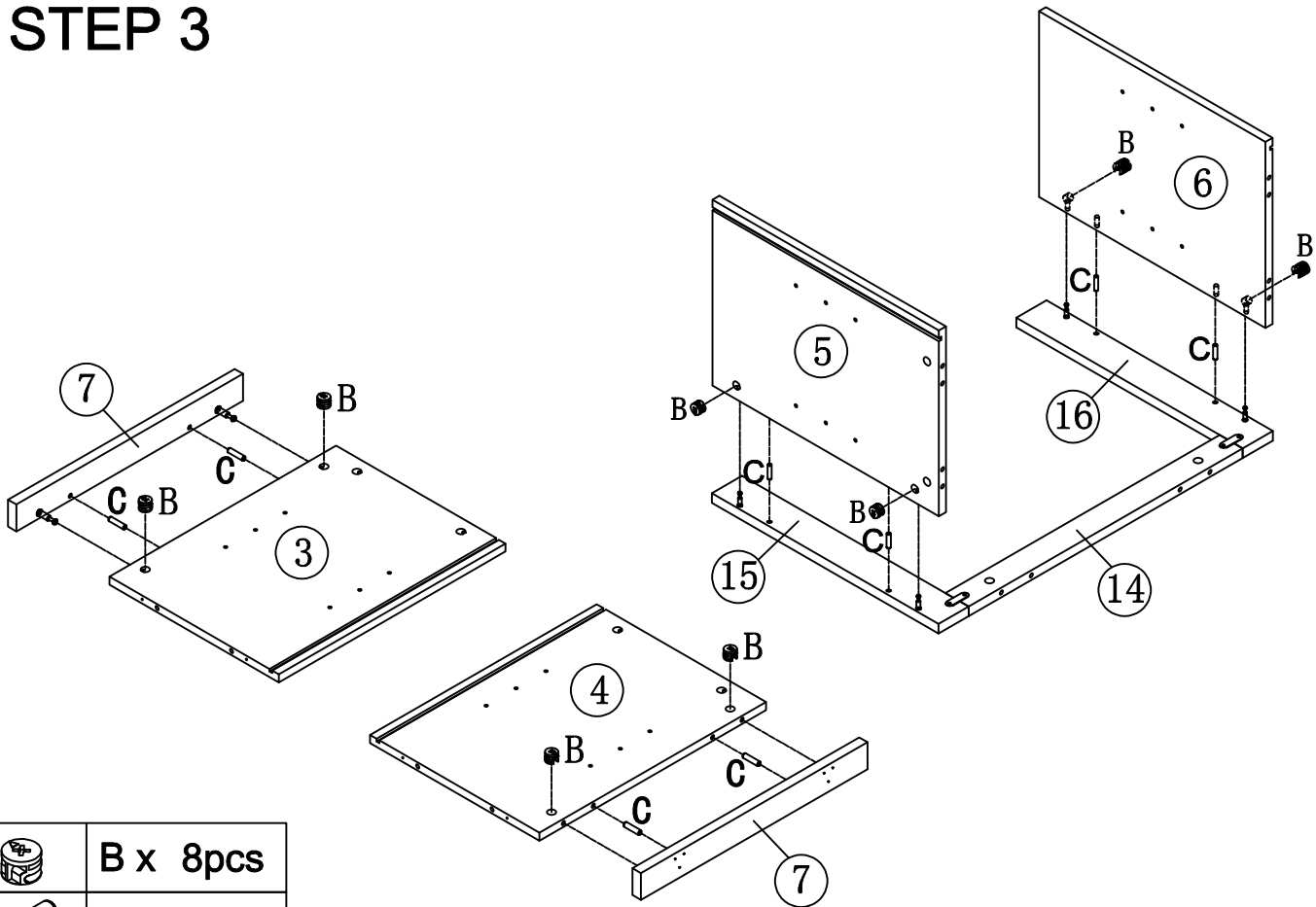
	A x 20pcs
--	-----------



STEP 2



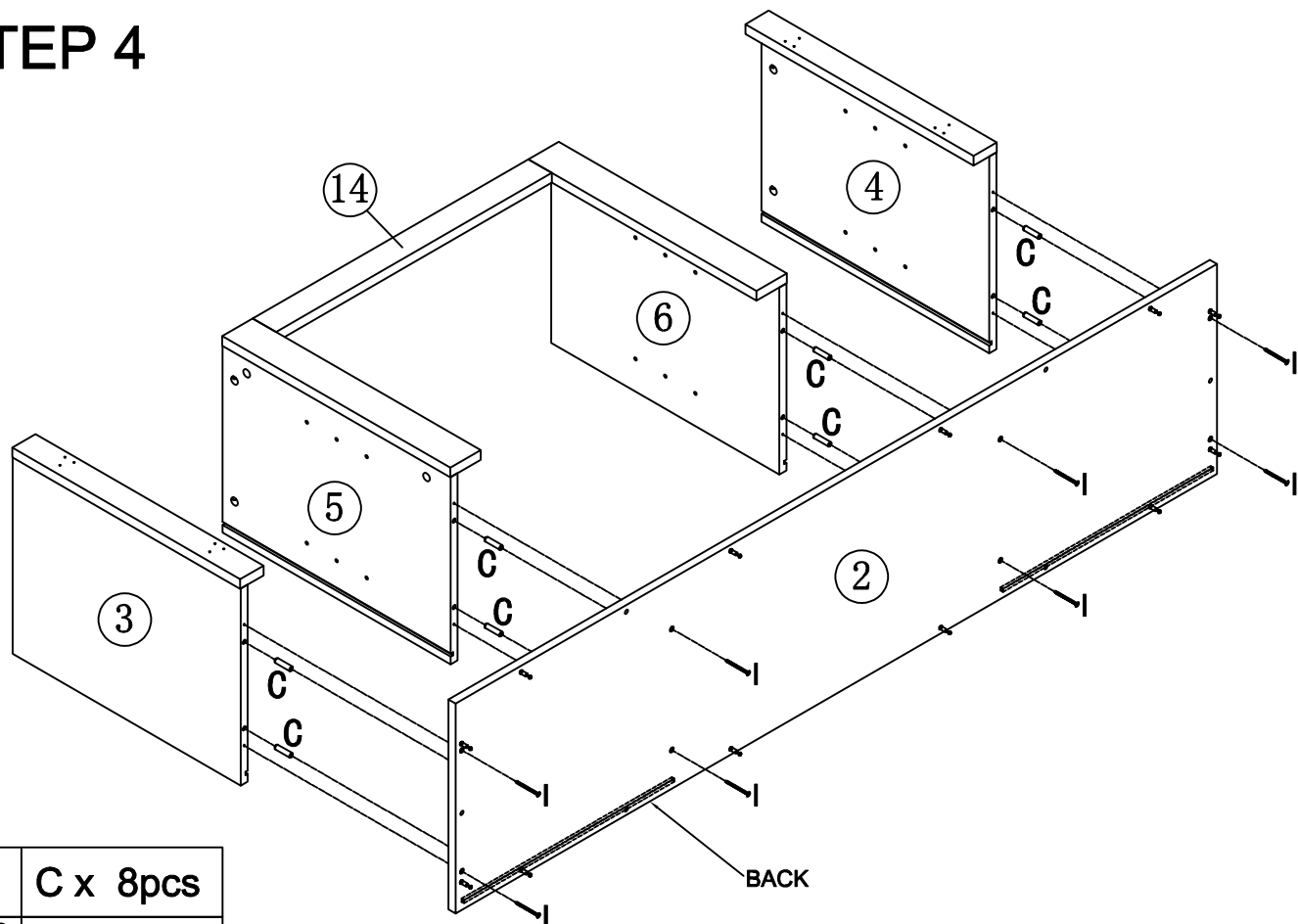
	C x 4pcs
	F x 2pcs
	H x 4pcs



STEP 3



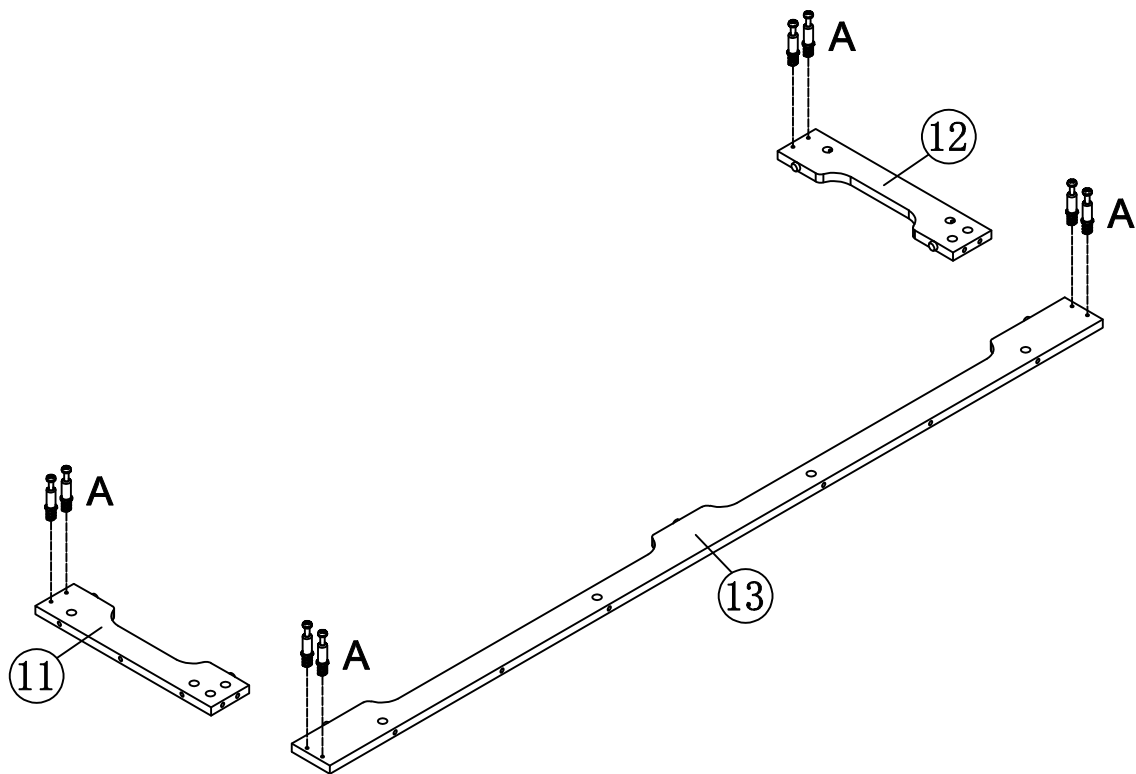
	B x 8pcs
	C x 8pcs

STEP 4



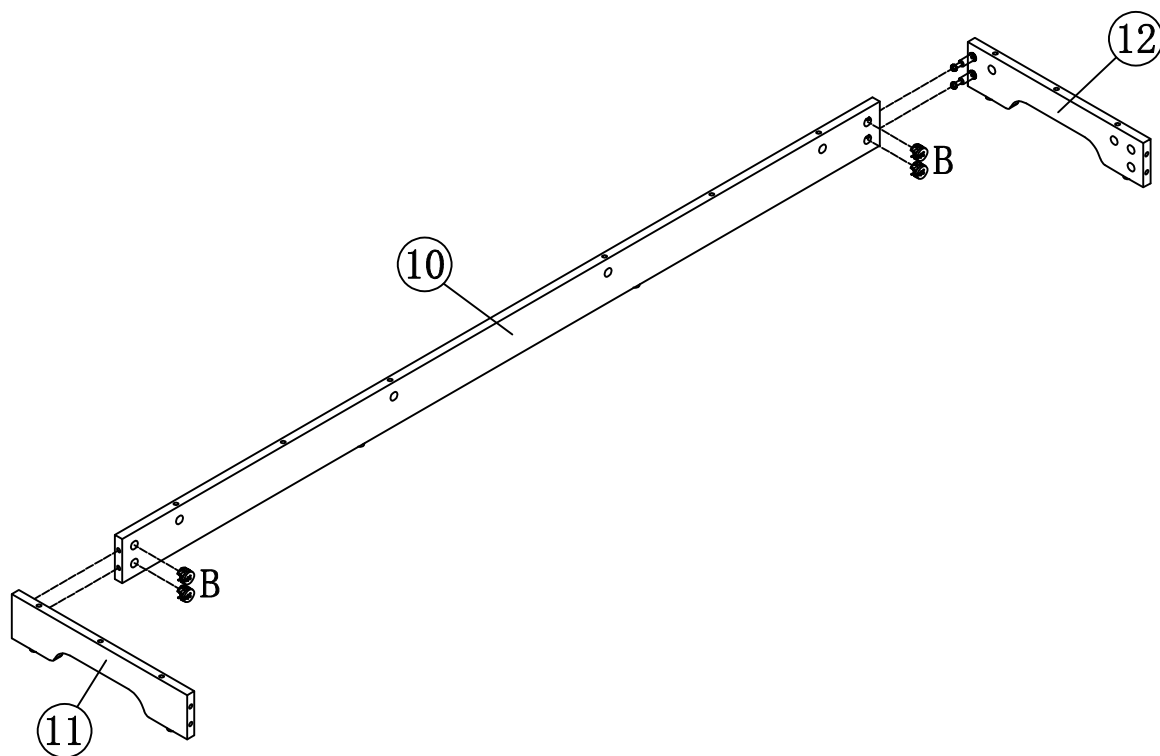
	C x 8pcs
	I x 8pcs

STEP 5



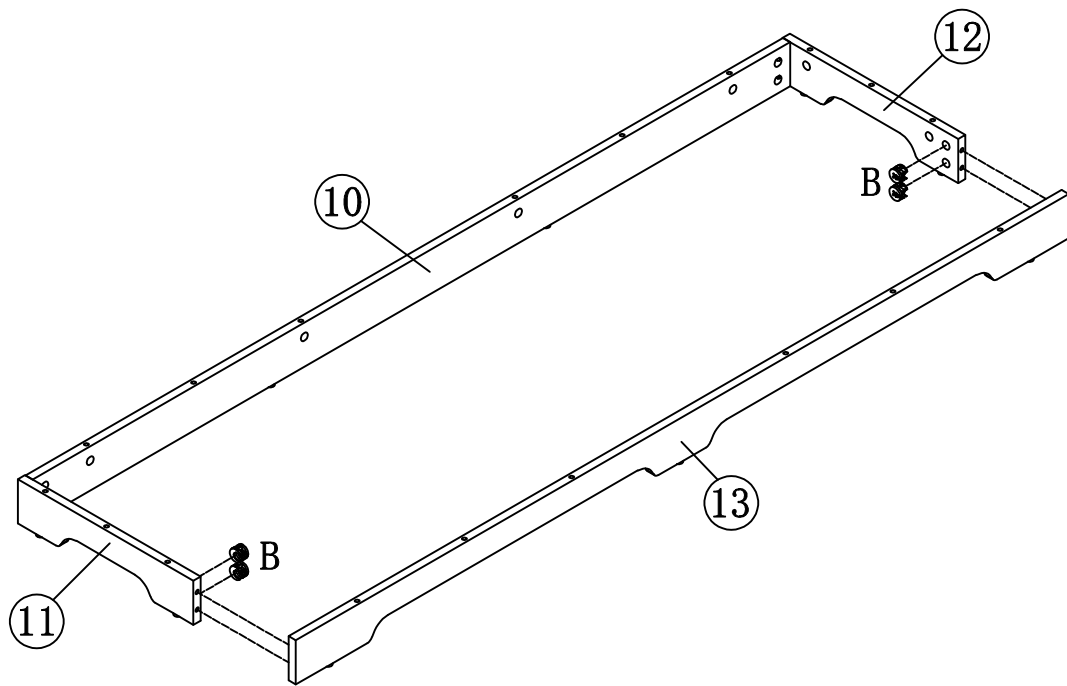
A x 8pcs

STEP 6



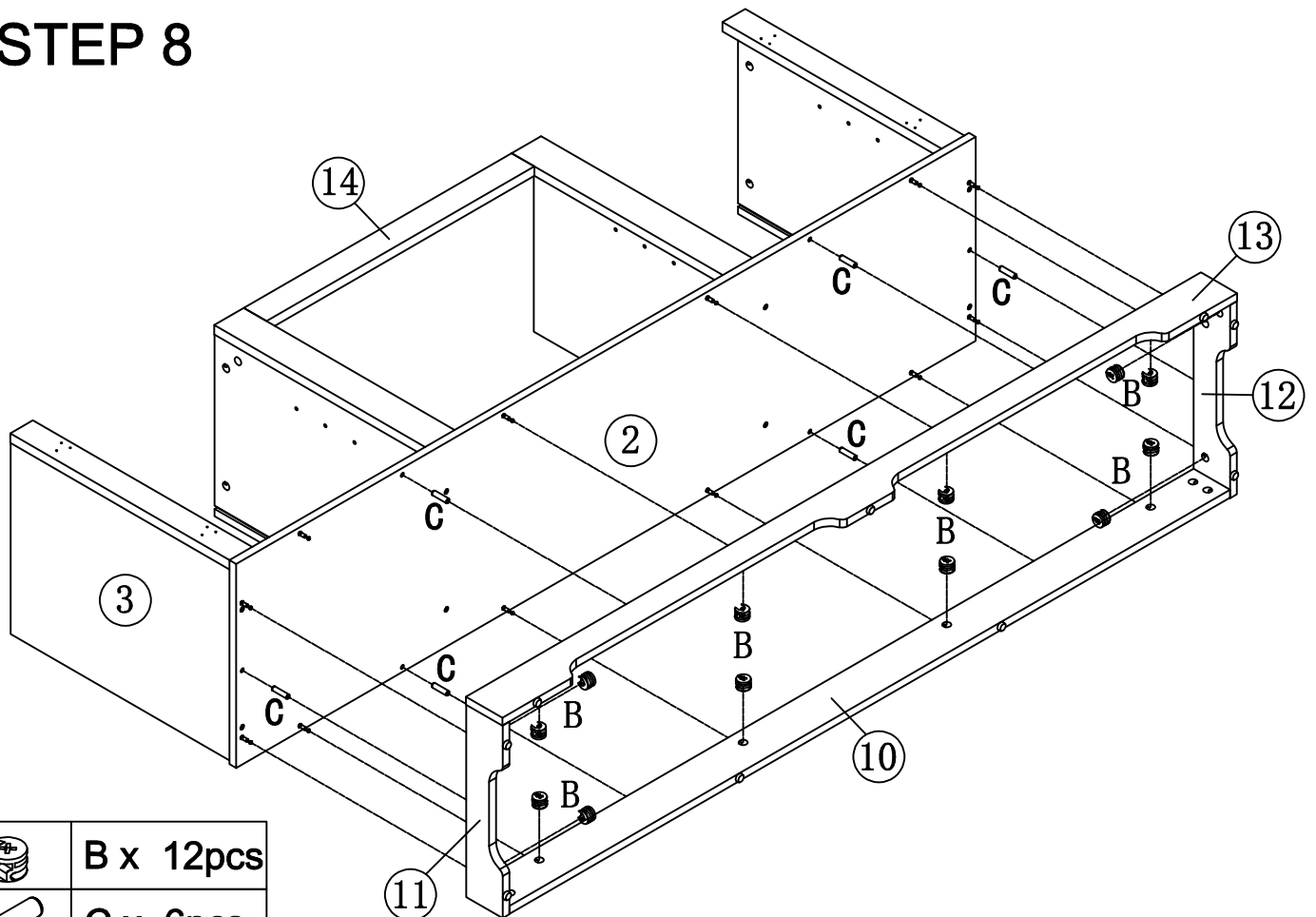
B x 4pcs

STEP 7



B x 4pcs

STEP 8

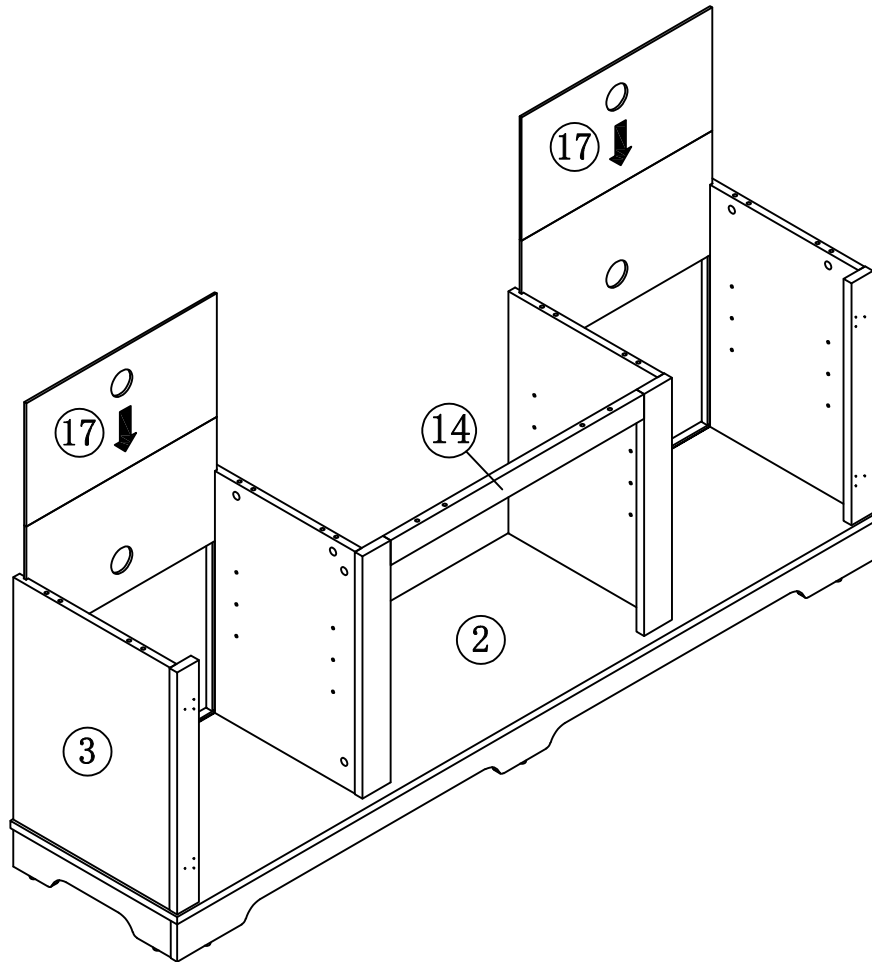


B x 12pcs

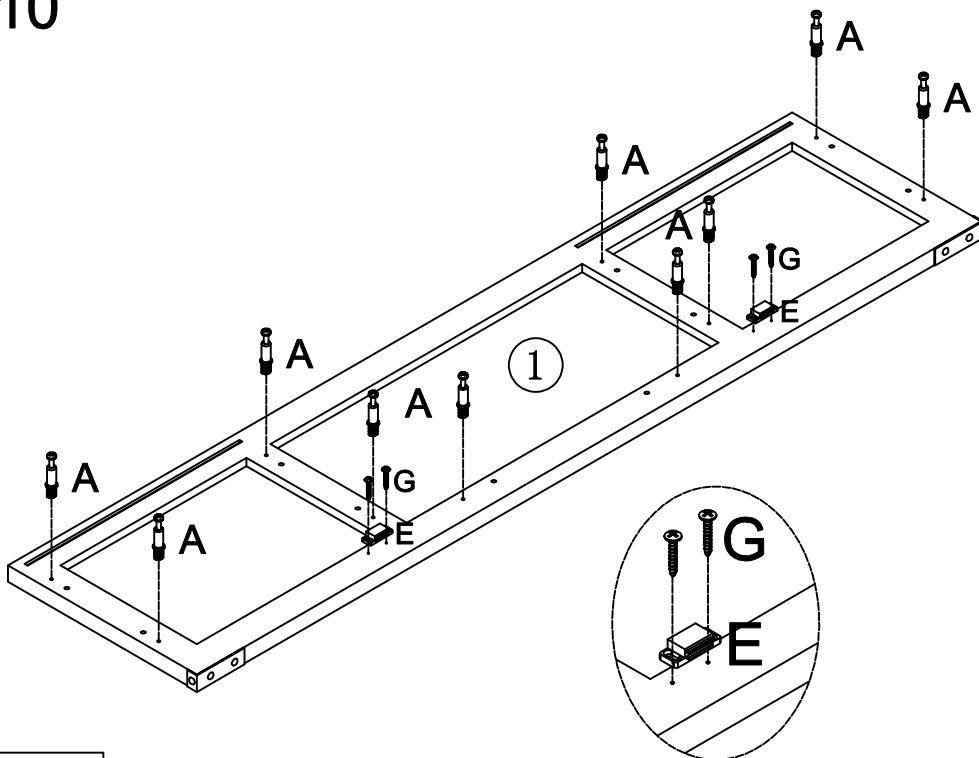





C x 6pcs

STEP 9

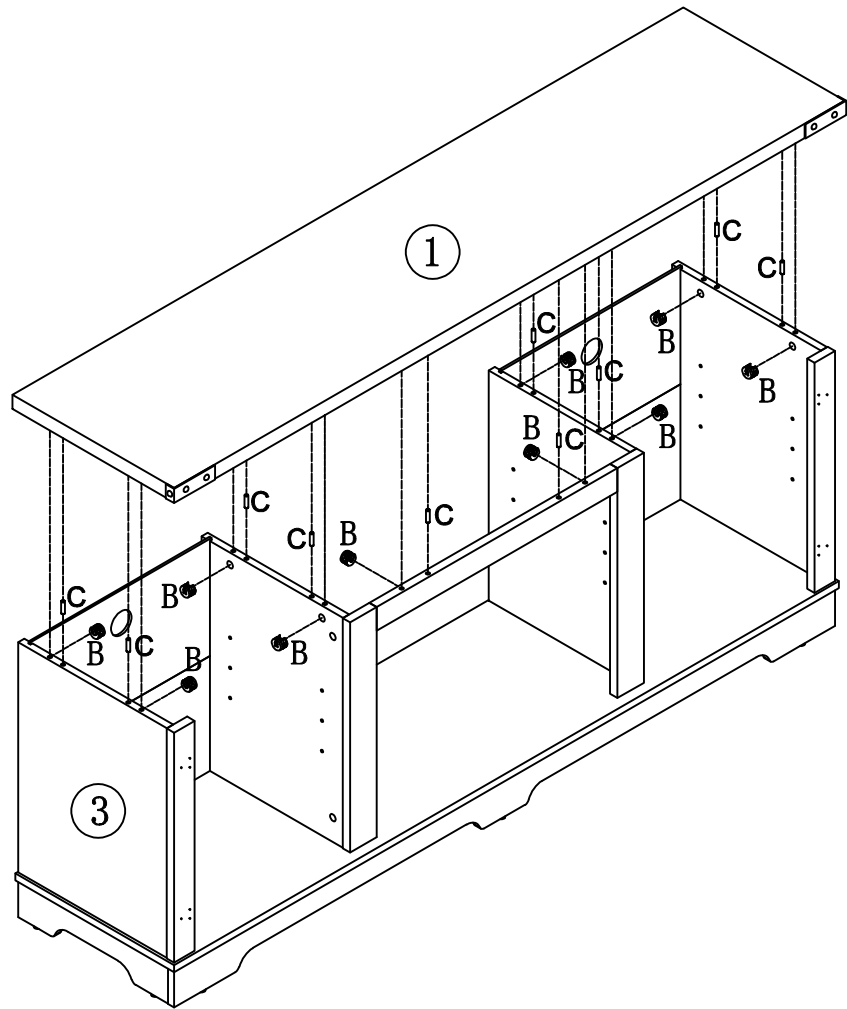




STEP 10



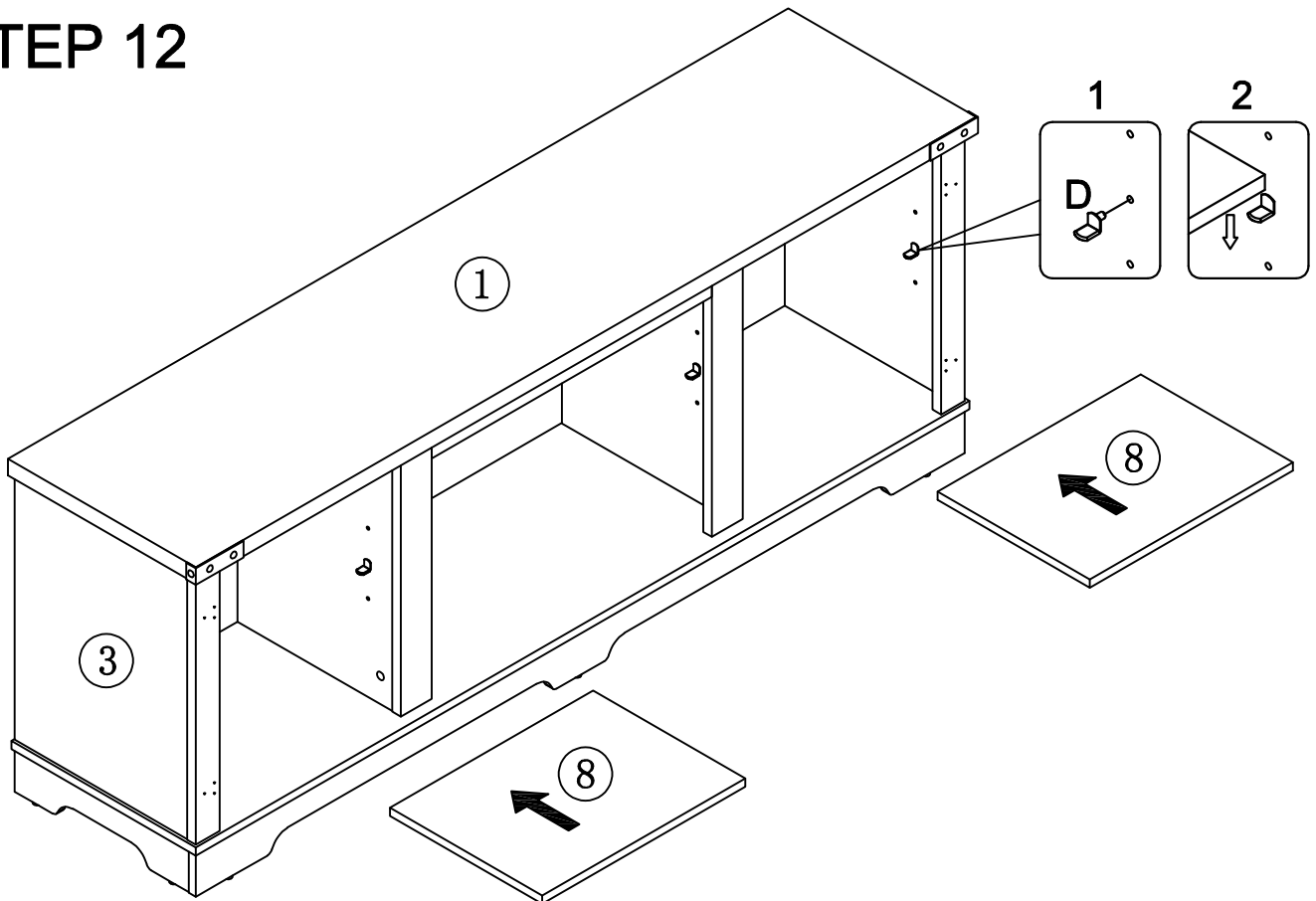
	A x 10pcs
	E x 2pcs
	G x 4pcs

STEP 11



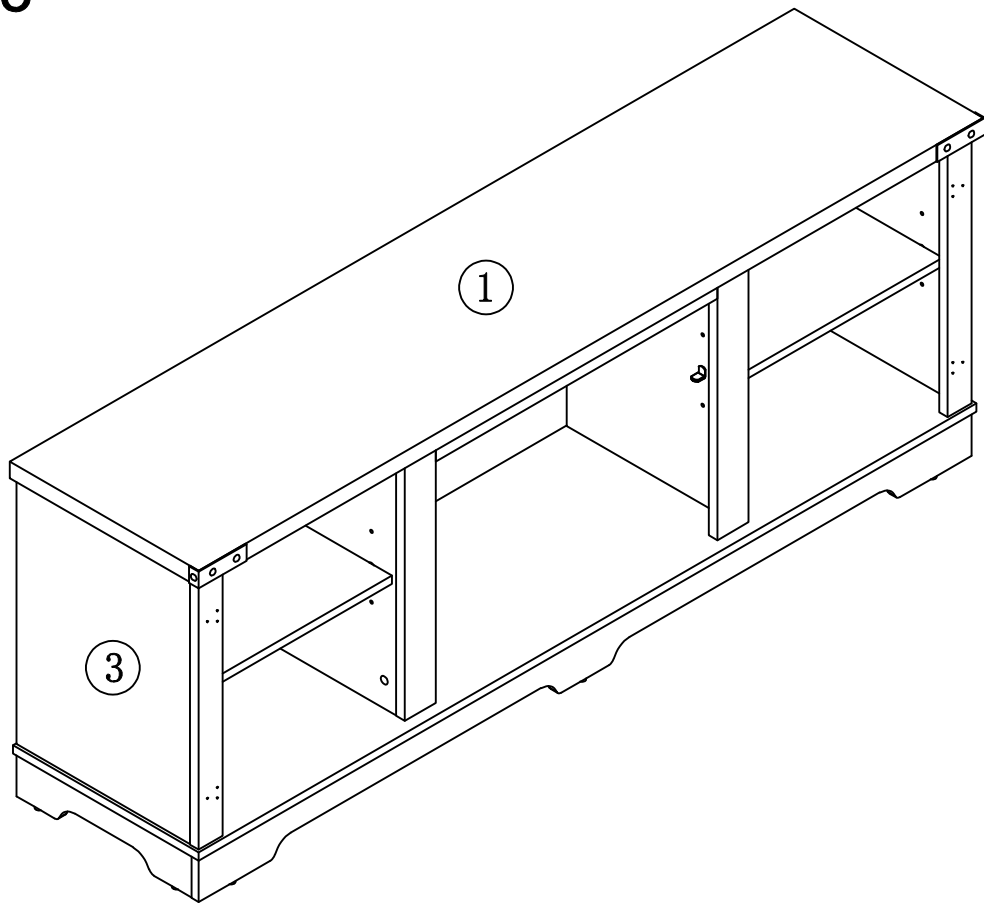
	B x 10pcs
	C x 10pcs

STEP 12

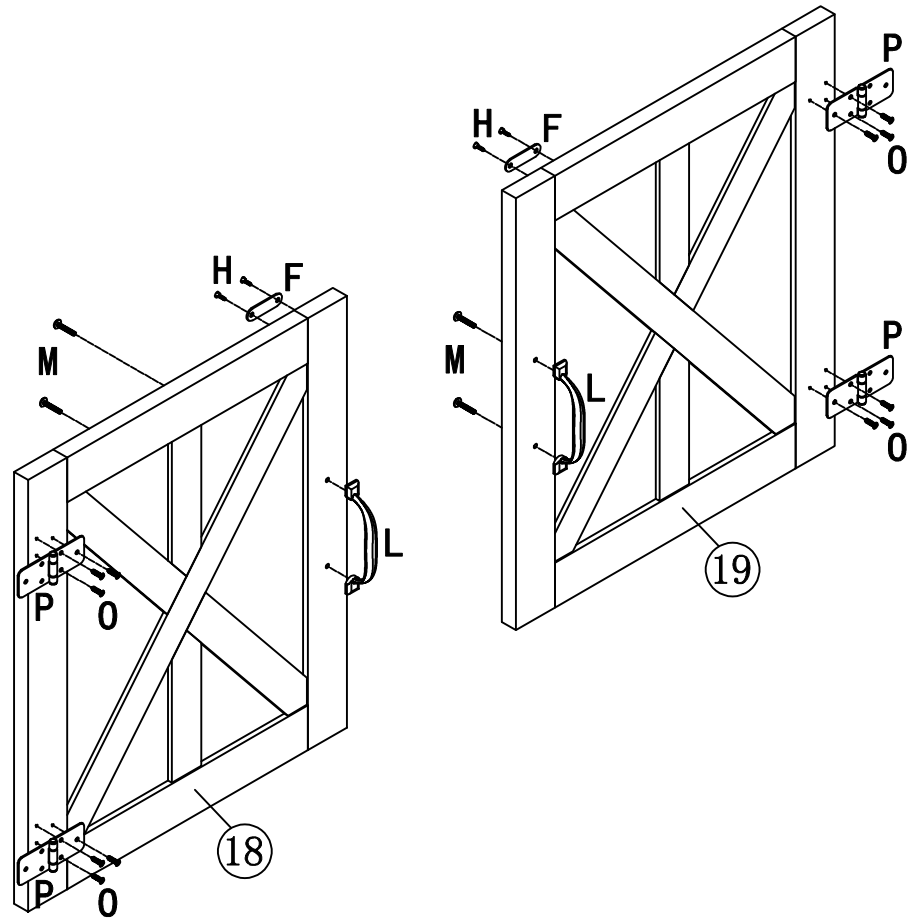






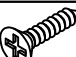

	D x 12pcs
--	-----------

STEP 13

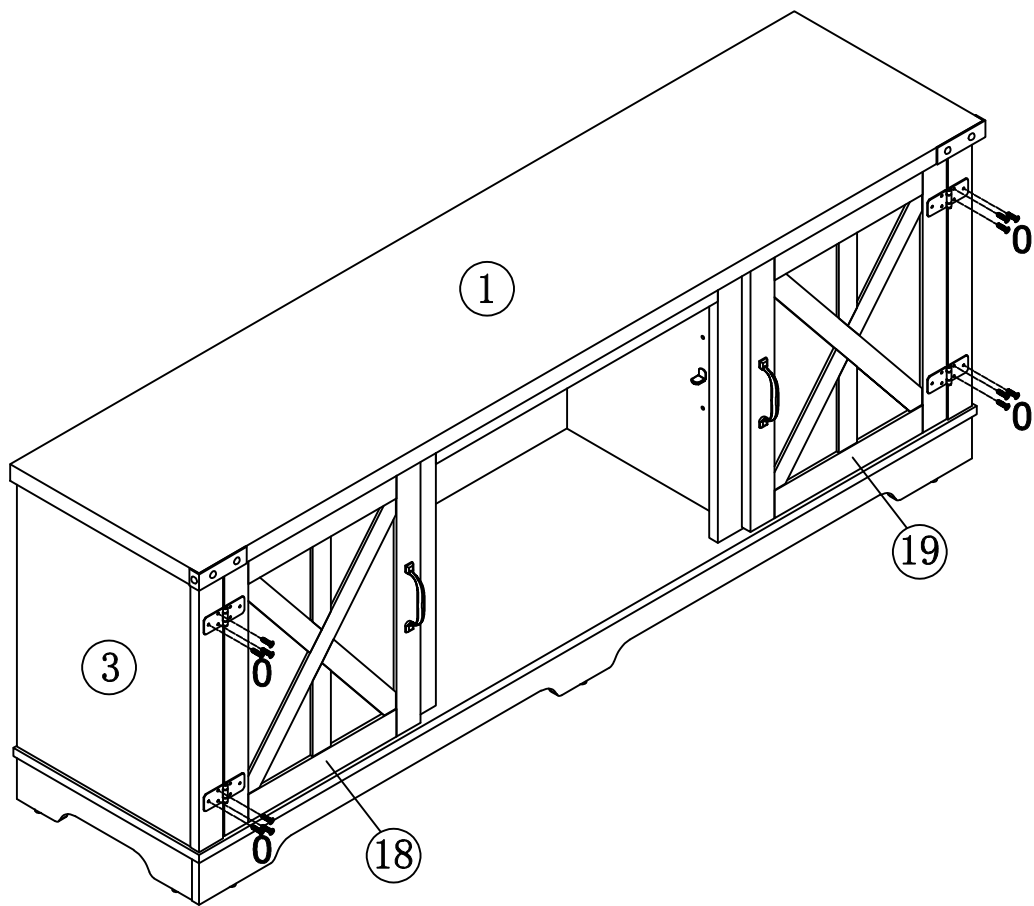


STEP 14



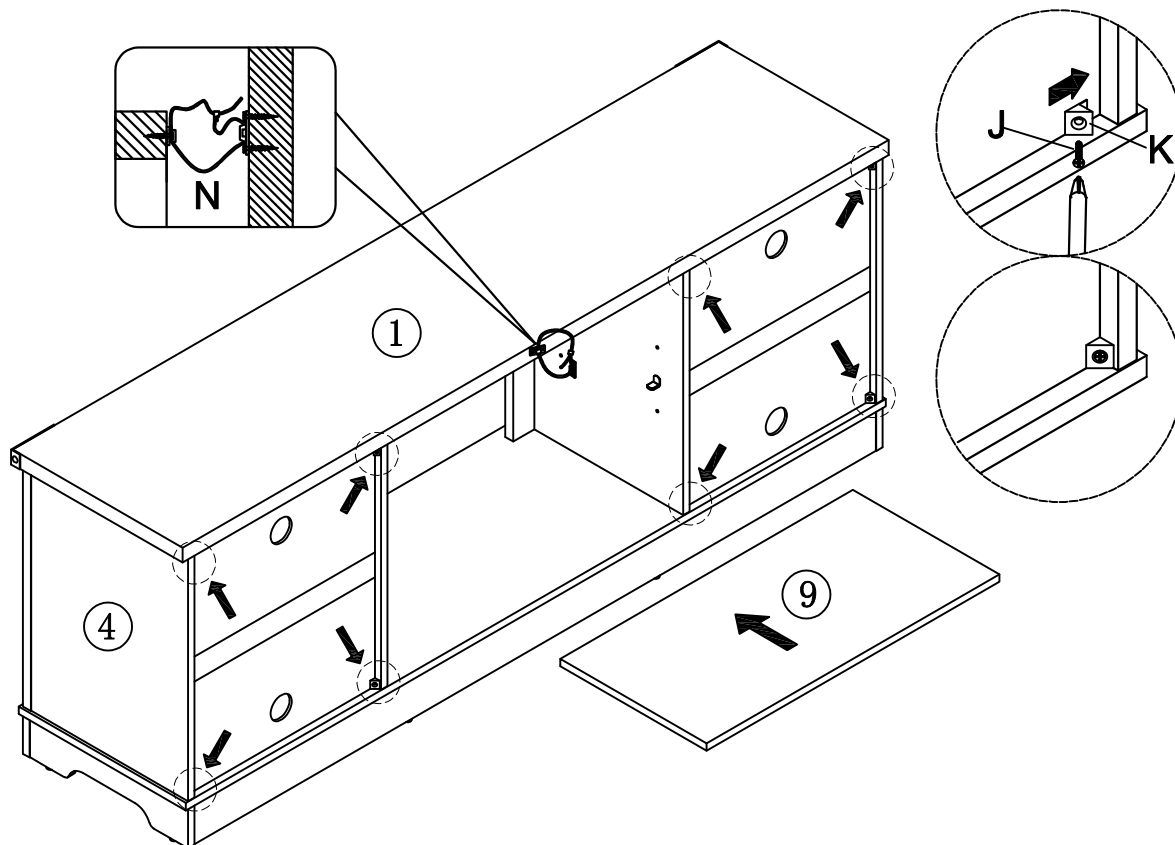
	F x 2pcs
	H x 4pcs
	L x 2pcs
	M x 4pcs
	O x 12pcs
	P x 4pcs

STEP 15






0 x 12pcs

STEP 16



If you purchased an optional fireplace, please follow step 17 on the next page.

	J x 8pcs
	K x 8pcs
	N x 1pcs

STEP 17

FIREPLACE INSTALLATION

If you decide to install the fireplace into the mantel, carefully set the unit from the back of the mantel and center it in the opening.

Check the alignment and attach the unit to the mantel by inserting screws through the drilled holes on the trim to the mantel.

NOTE: Do not attempt to install the unit from the front of the mantel. It will not fit.

