

TV Stand w/ Fireplace

Item: FP-230504

Assembly Instructions

NOTE: This instruction manual contains **IMPORTANT** safety information. Please read carefully before assembling the product



Estimated Time for Assembly

60 mins



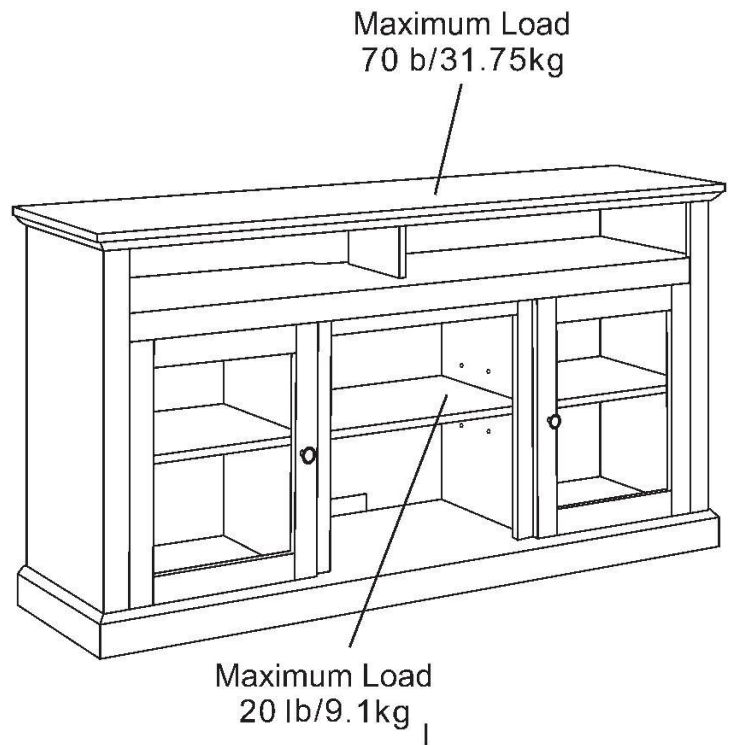
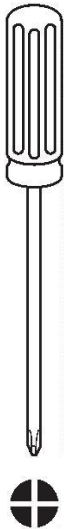
Weight Limitation

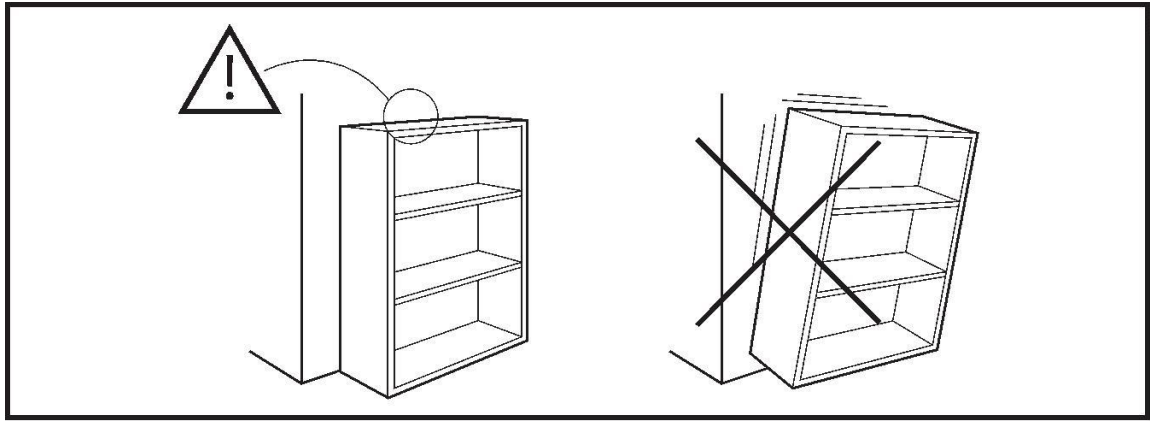
LB

20 lb Shelf

70 lb Top

Tools Needed (Not included)

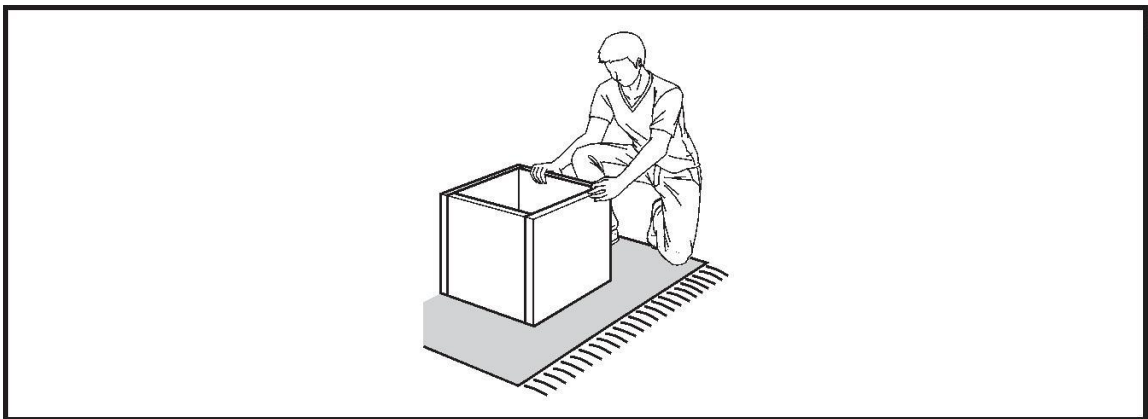




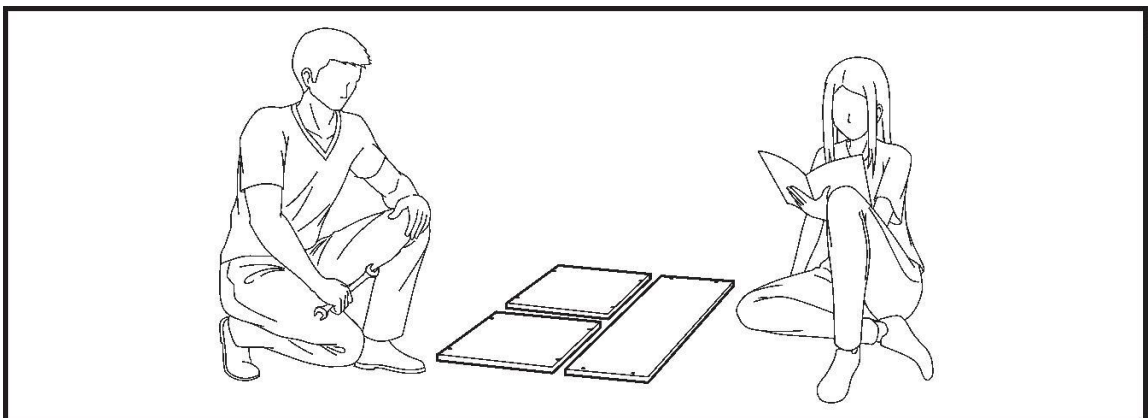
Warning

Serious or fatal crushing injuries may occur if the furniture tip-over. Furniture must permanently fixed to the wall with included anti-tipping device to prevent the furniture from tipping over.

Different wall materials requires different types of fixing device, Use suitable fixing device to secure the stability and load bearing capacity of the furniture. If you are uncertain about which type of fixing device to use, please contact your local hardware store.



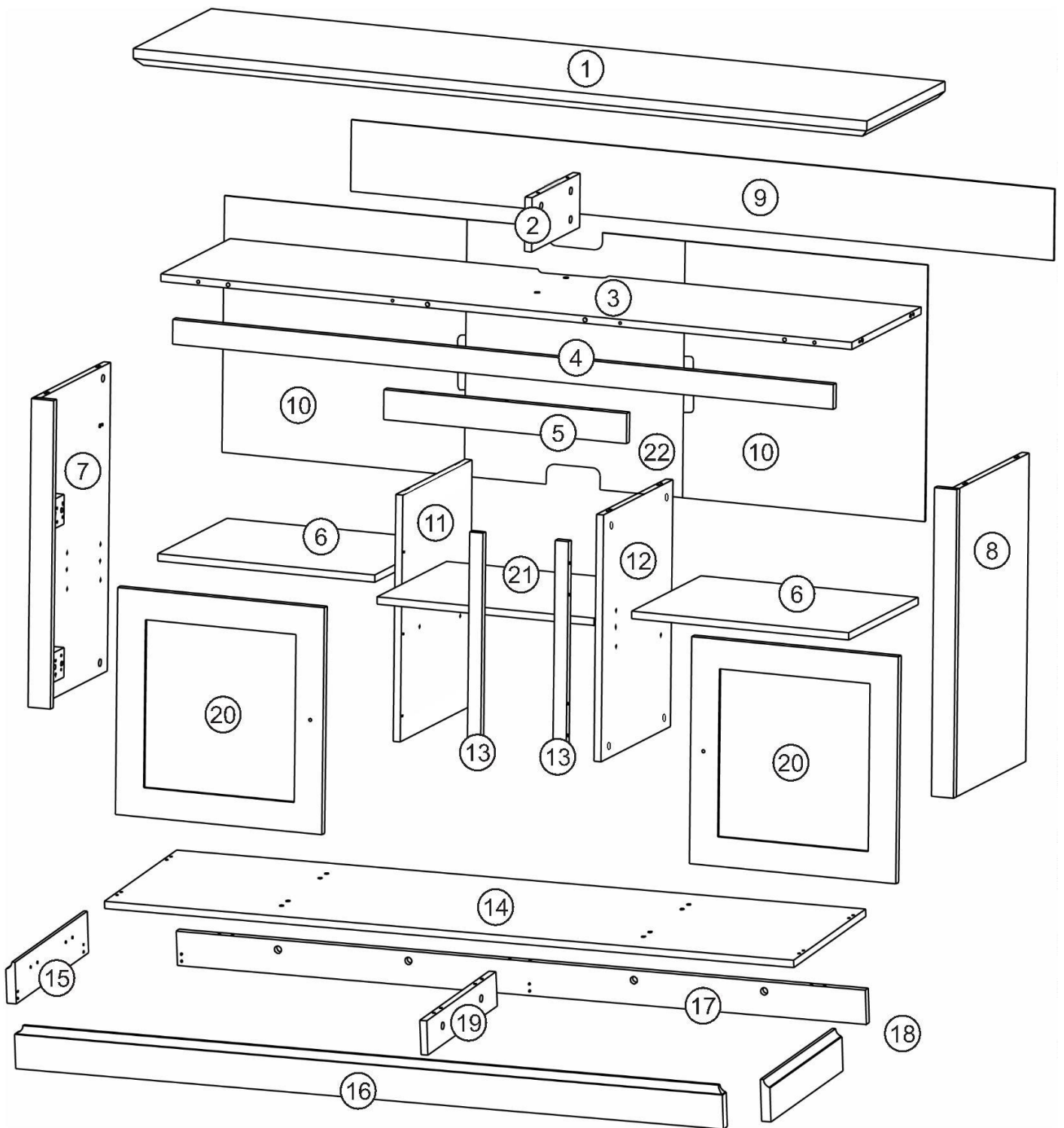
Assembly the furniture on empty carton, carpet, or rug to prevent scratches or damage.



This furniture requires 2 people to assembly.

Make sure no parts are missing or damaged before assembly.

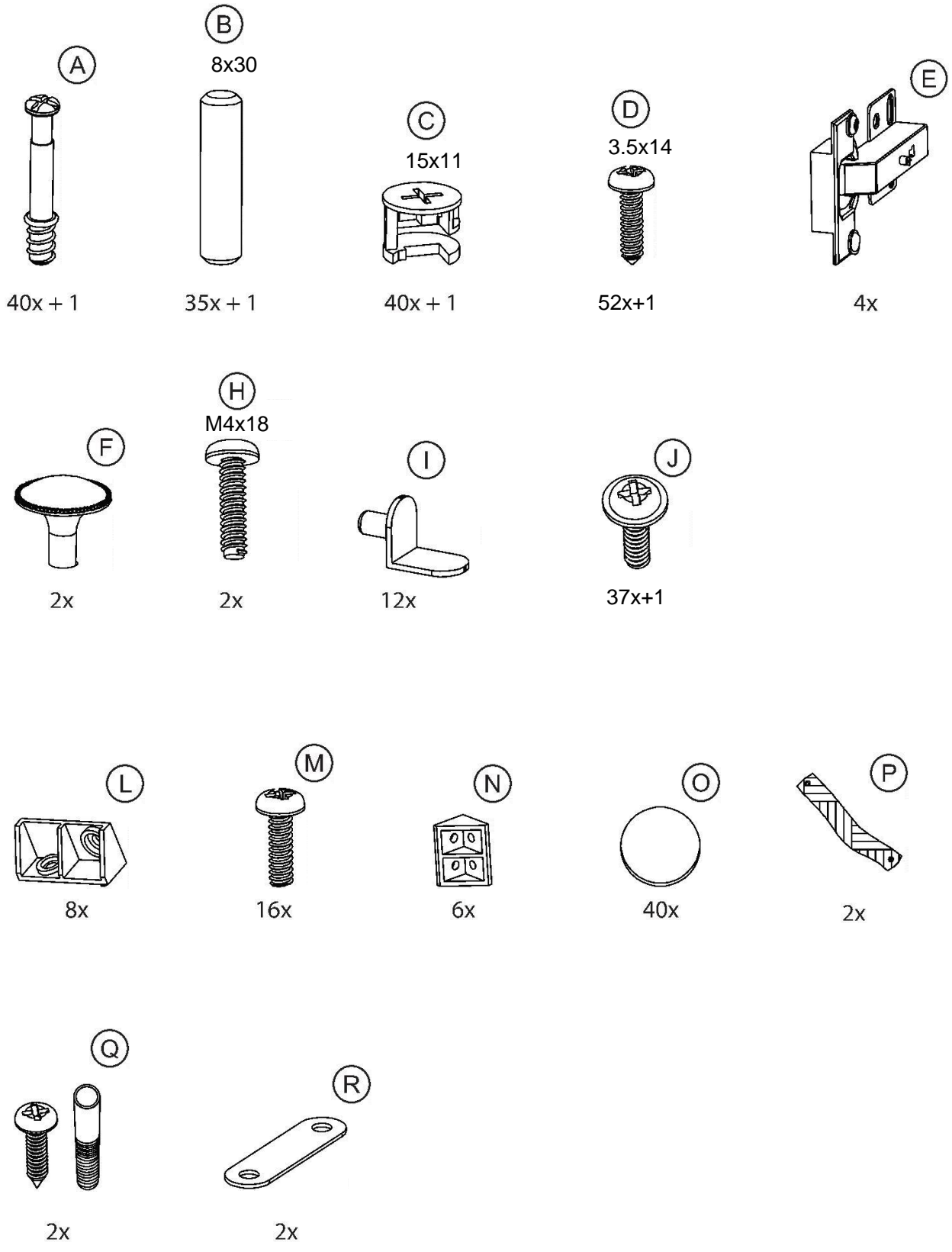
PACKAGE CONTENT



PACKAGE CONTENT

CODE	DESCRIPTION	QTY
1	Countertop Board	1
2	Middle Partition	1
3	Laminates	1
4	Front Lintel	1
5	Middle Cross	1
6	Storage Shelves	2
7	Left Side Plate	1
8	Right Side Plate	1
9	Upper Back Panel	1
10	Lower Back Panel	2
11	Left Medial Plate	1
12	Right Medial Plate	1
13	Center Riser	2
14	Bottom Plate	1
15	Left Leg	1
16	Forefoot Strip	1
17	Back Leg	1
18	Right Leg	1
19	Middle Leg	1
20	Cabinet Door	2
21	Middle Storage Shelf	1
22	Middle Back Panel	1

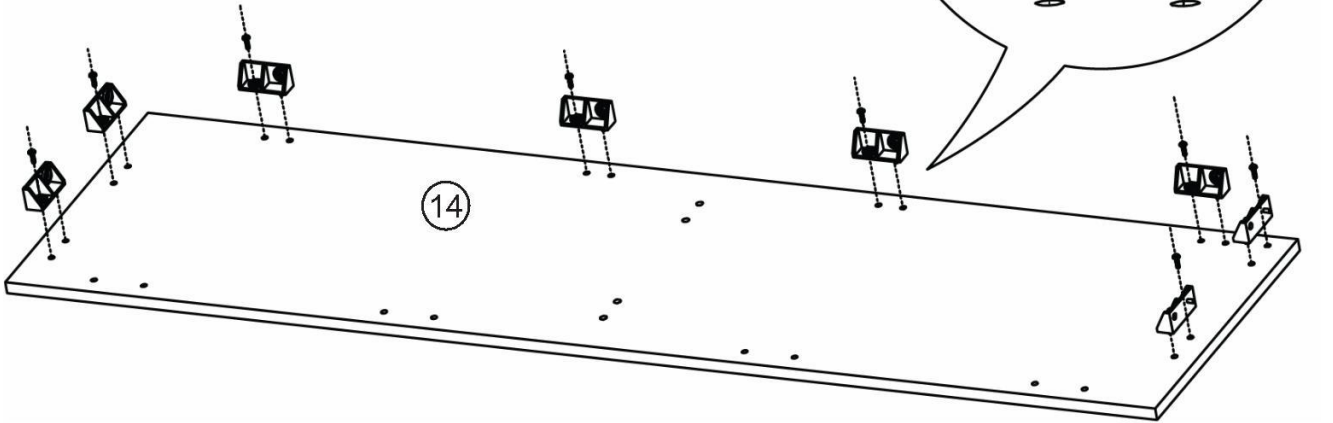
PACKAGE CONTENT



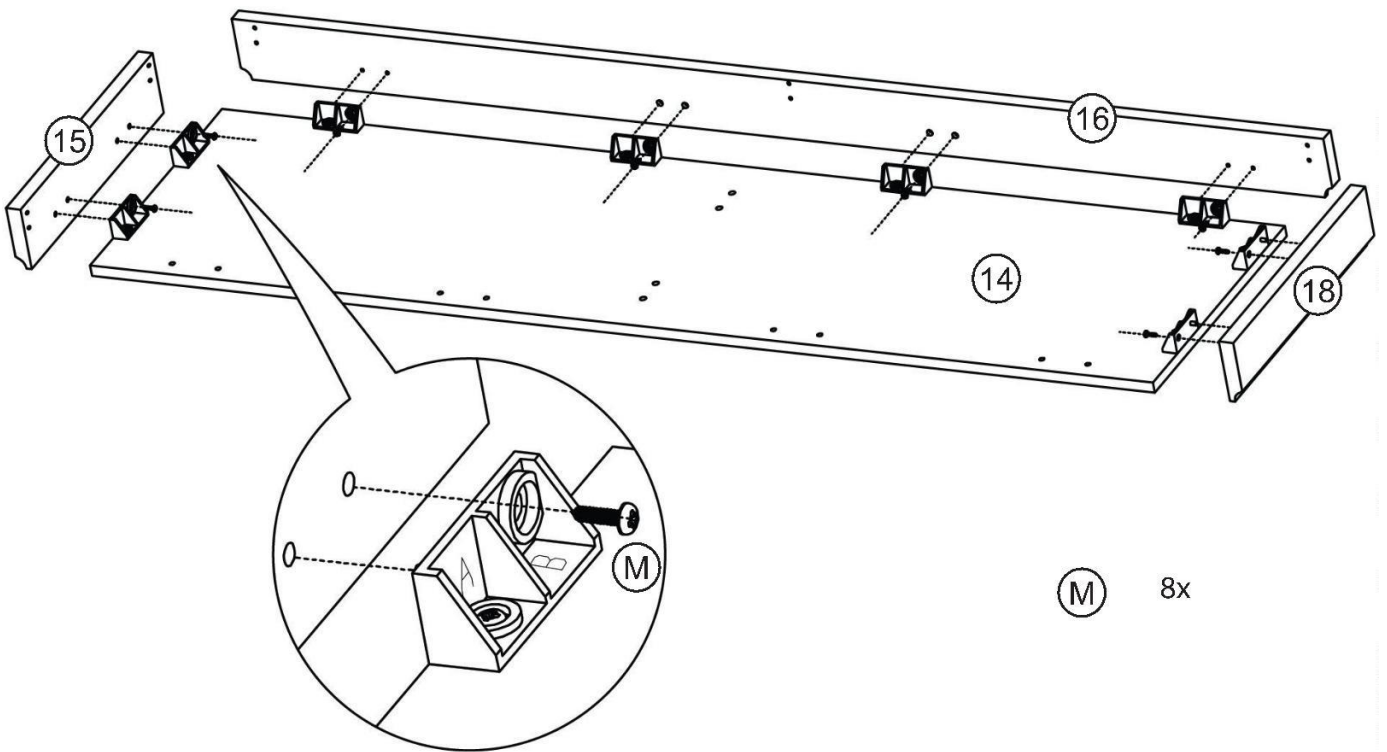
1

(L) 8x

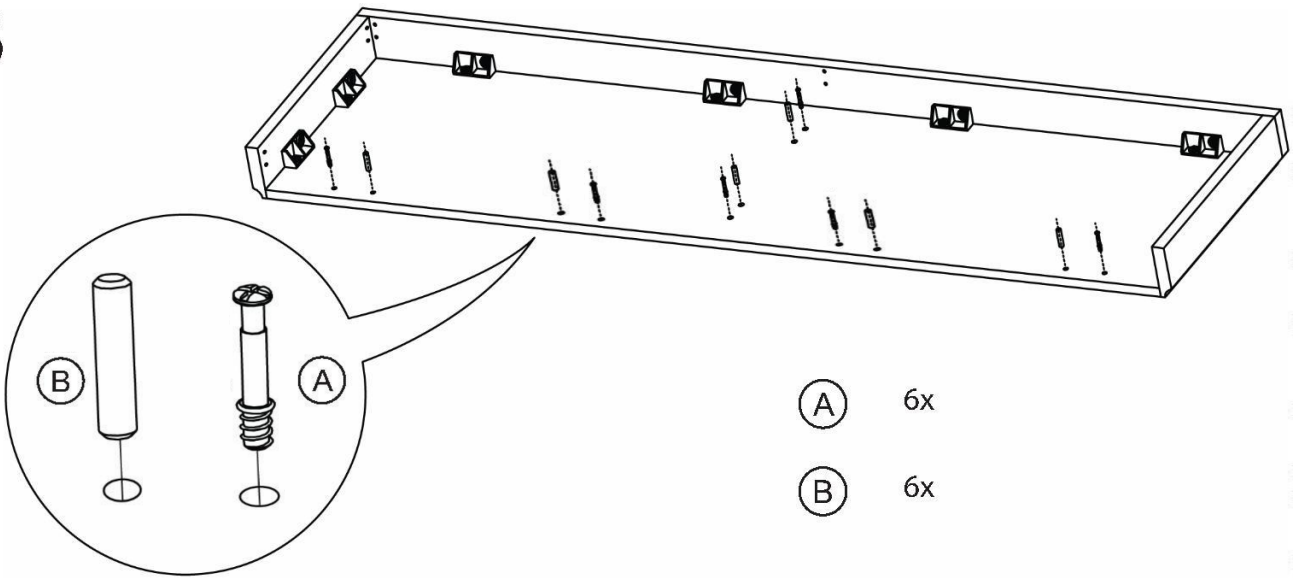
(M) 8x



2



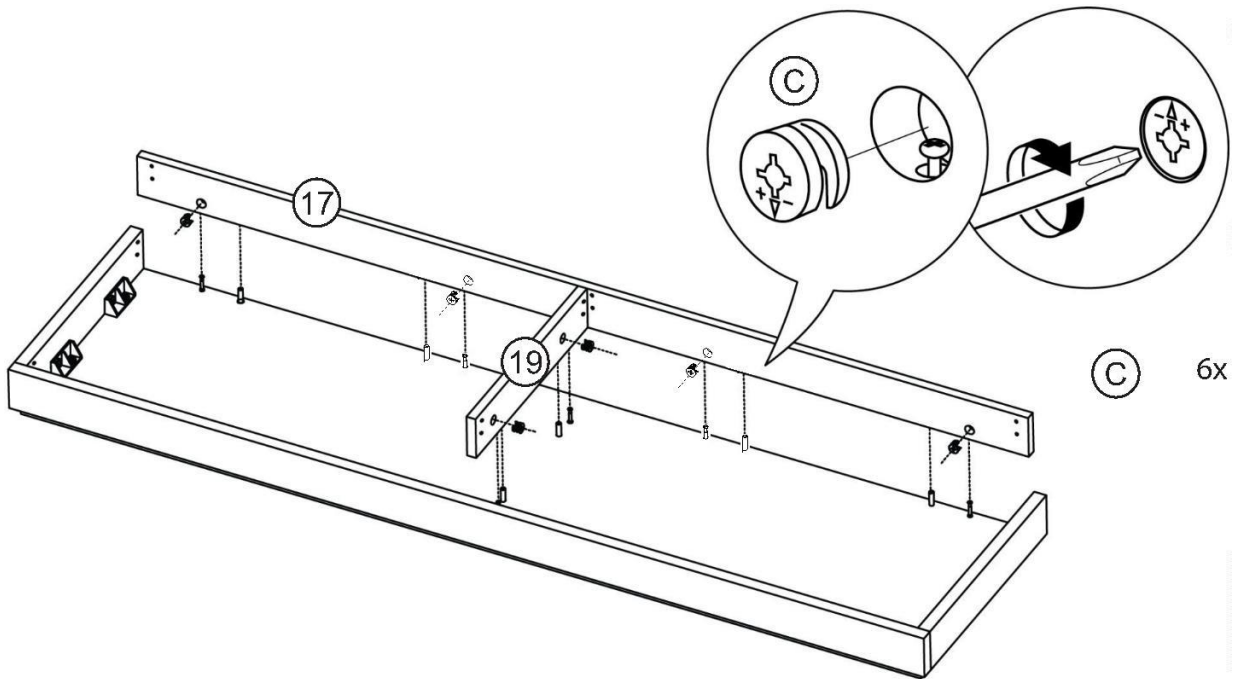
3



(A) 6x

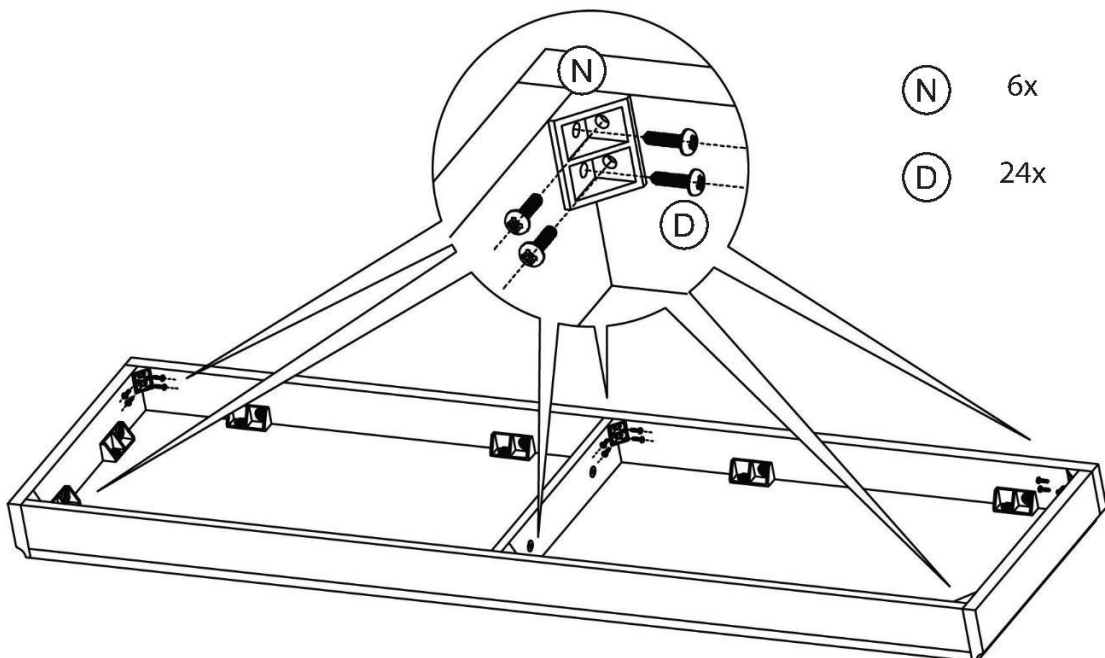
(B) 6x

4



(C) 6x

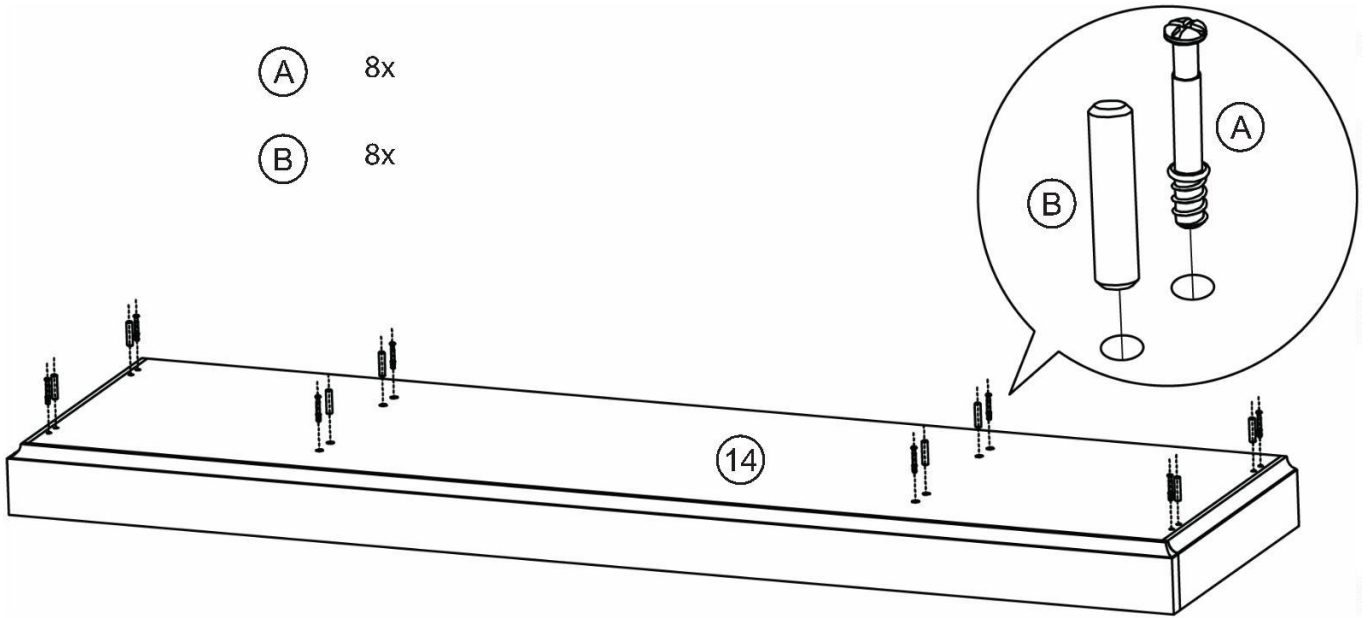
5



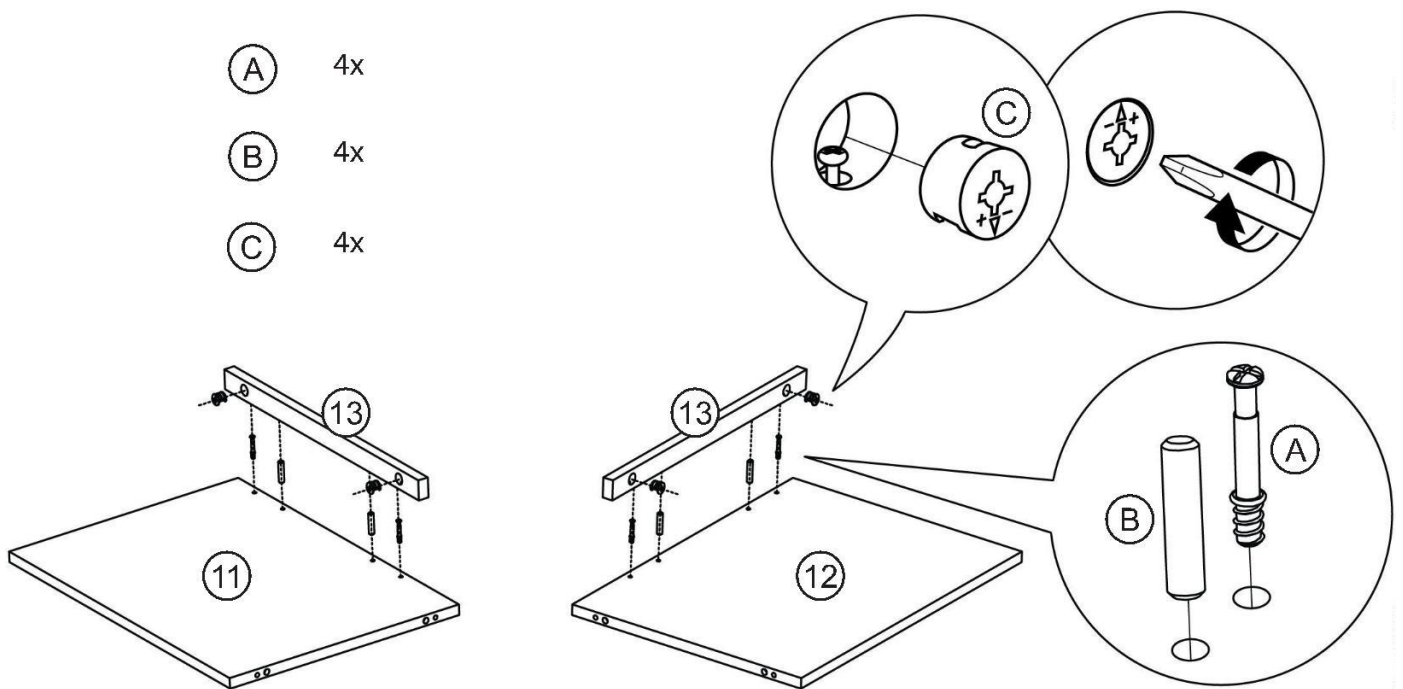
(N) 6x

(D) 24x

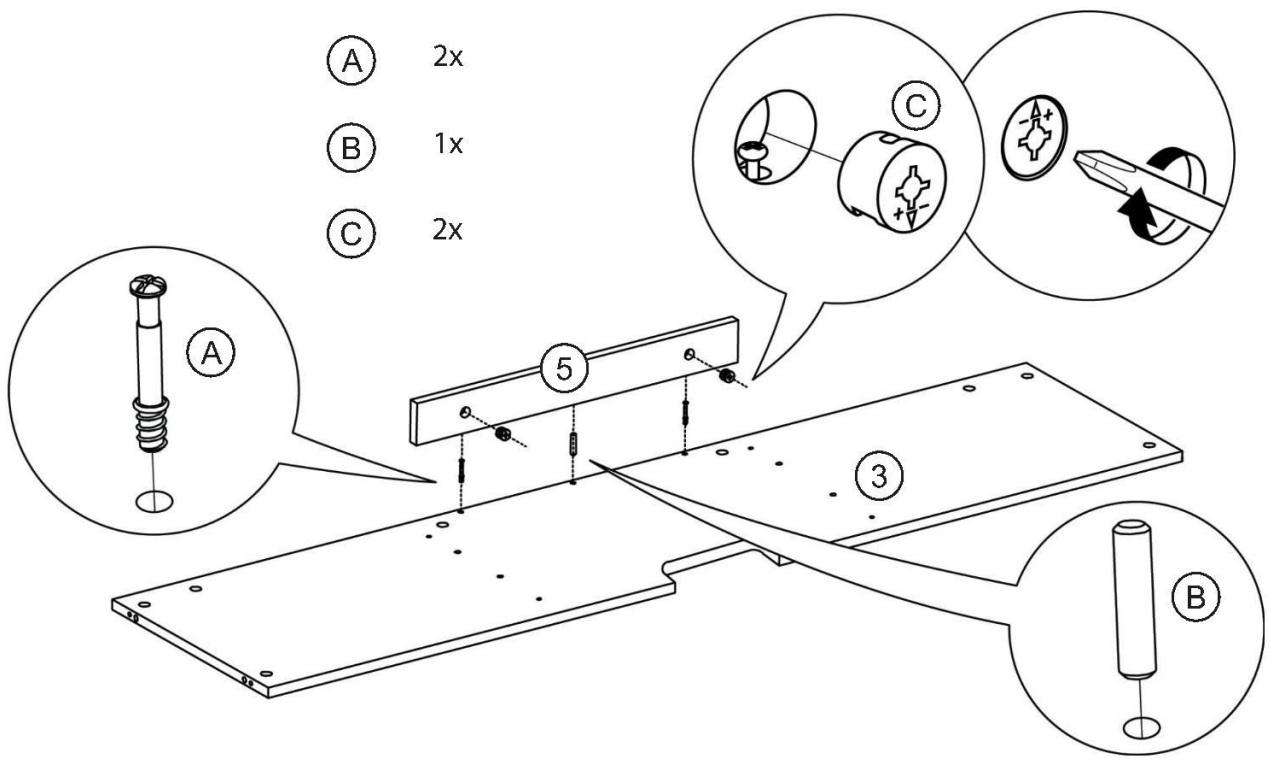
6



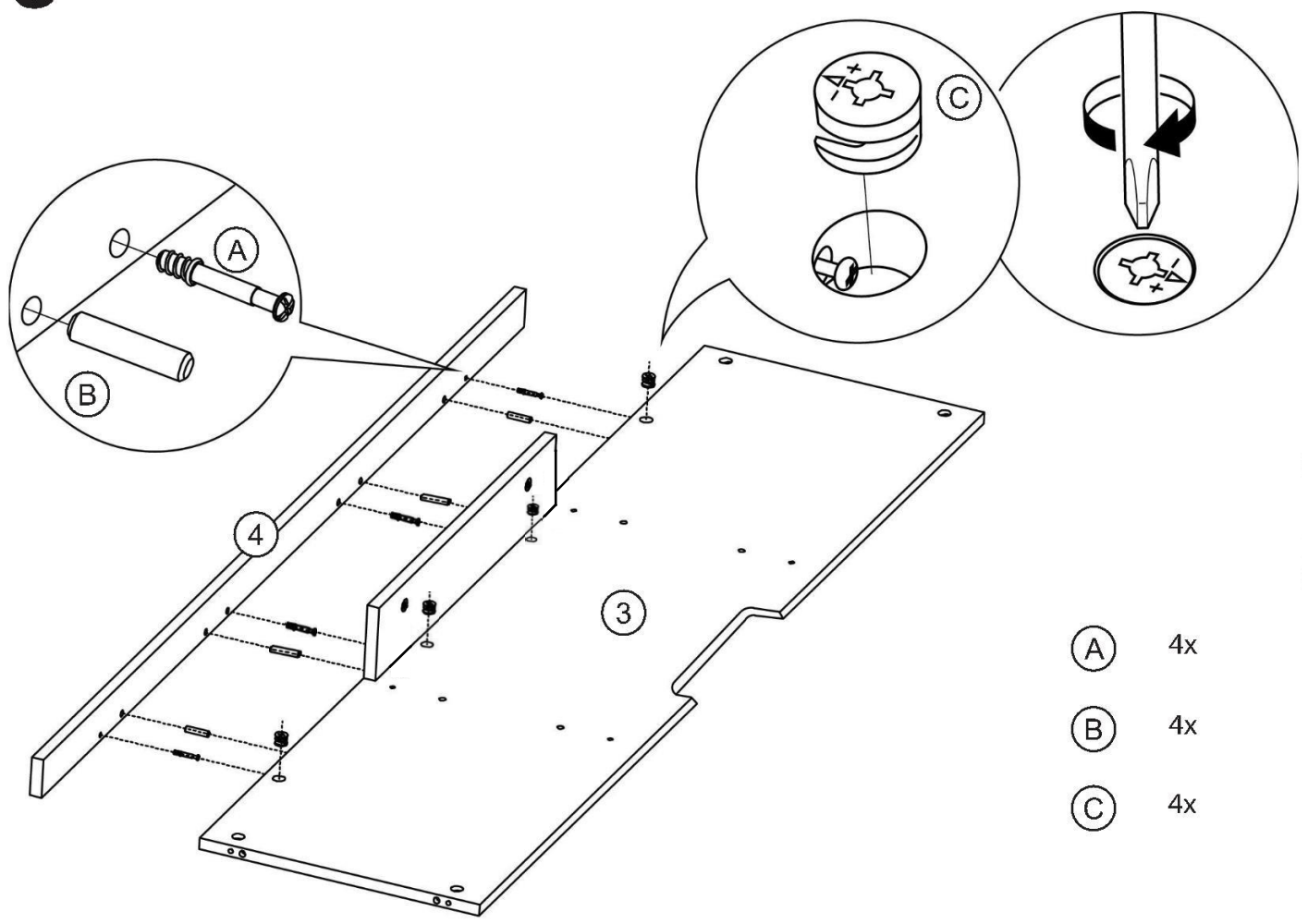
7



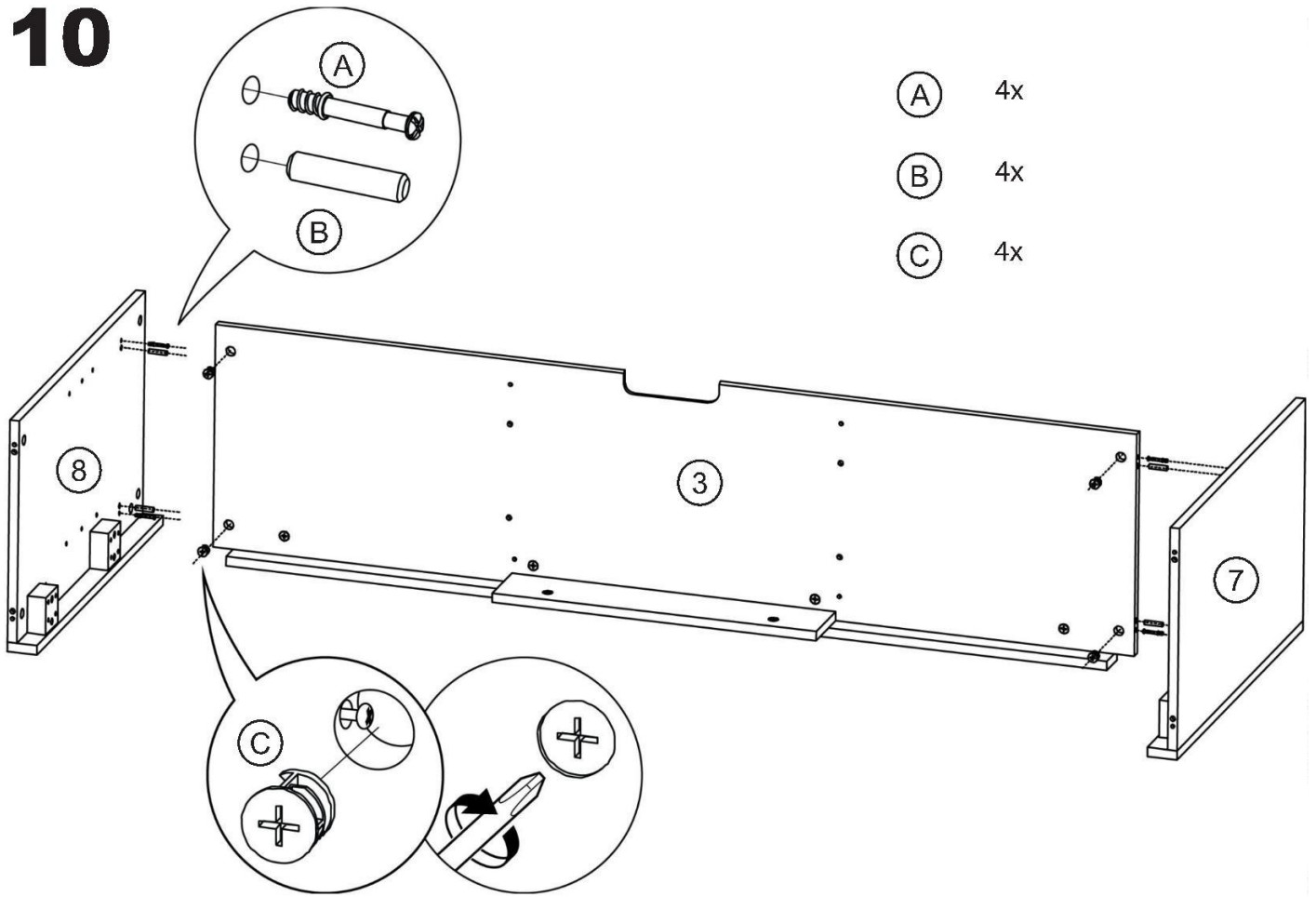
8



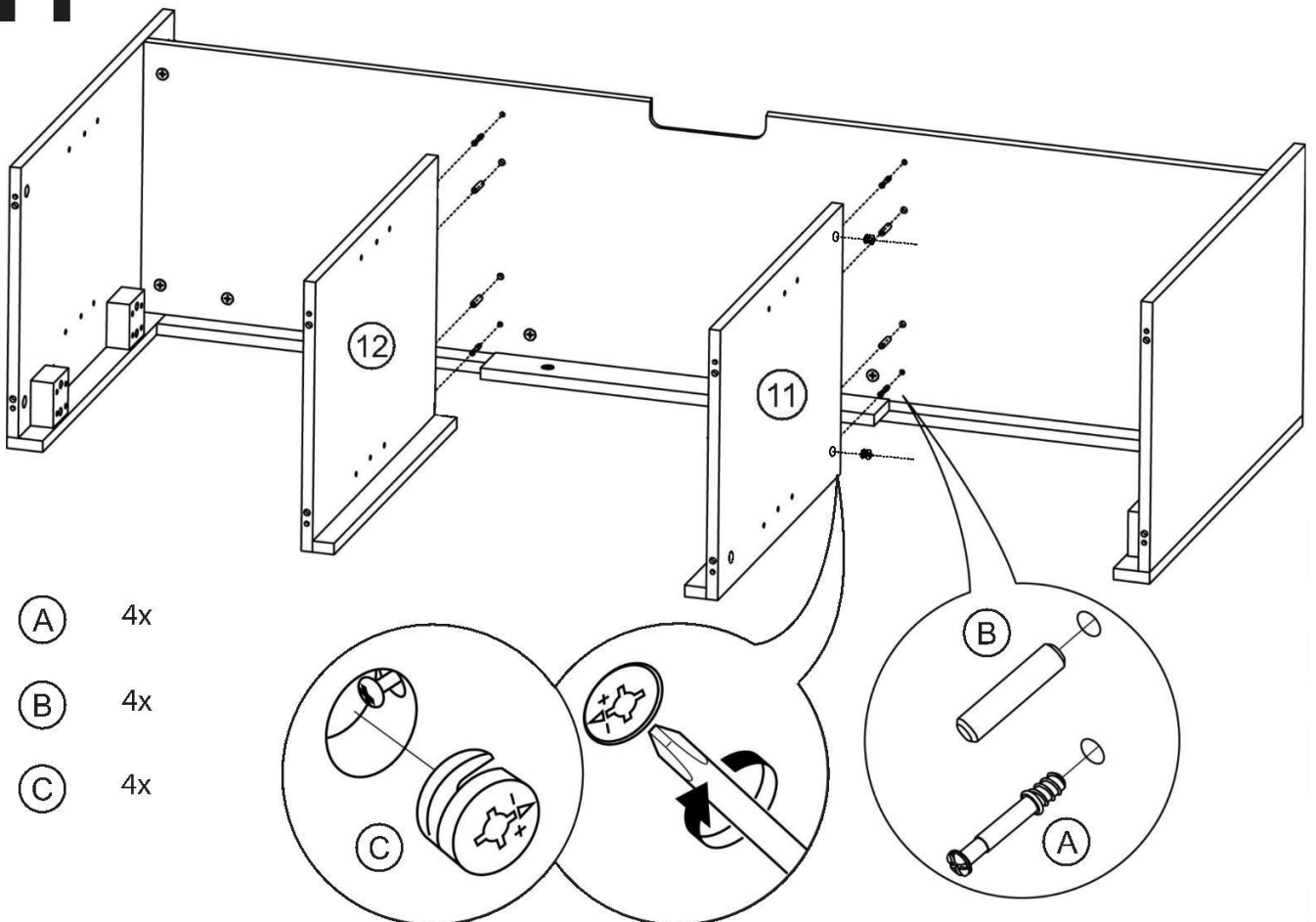
9



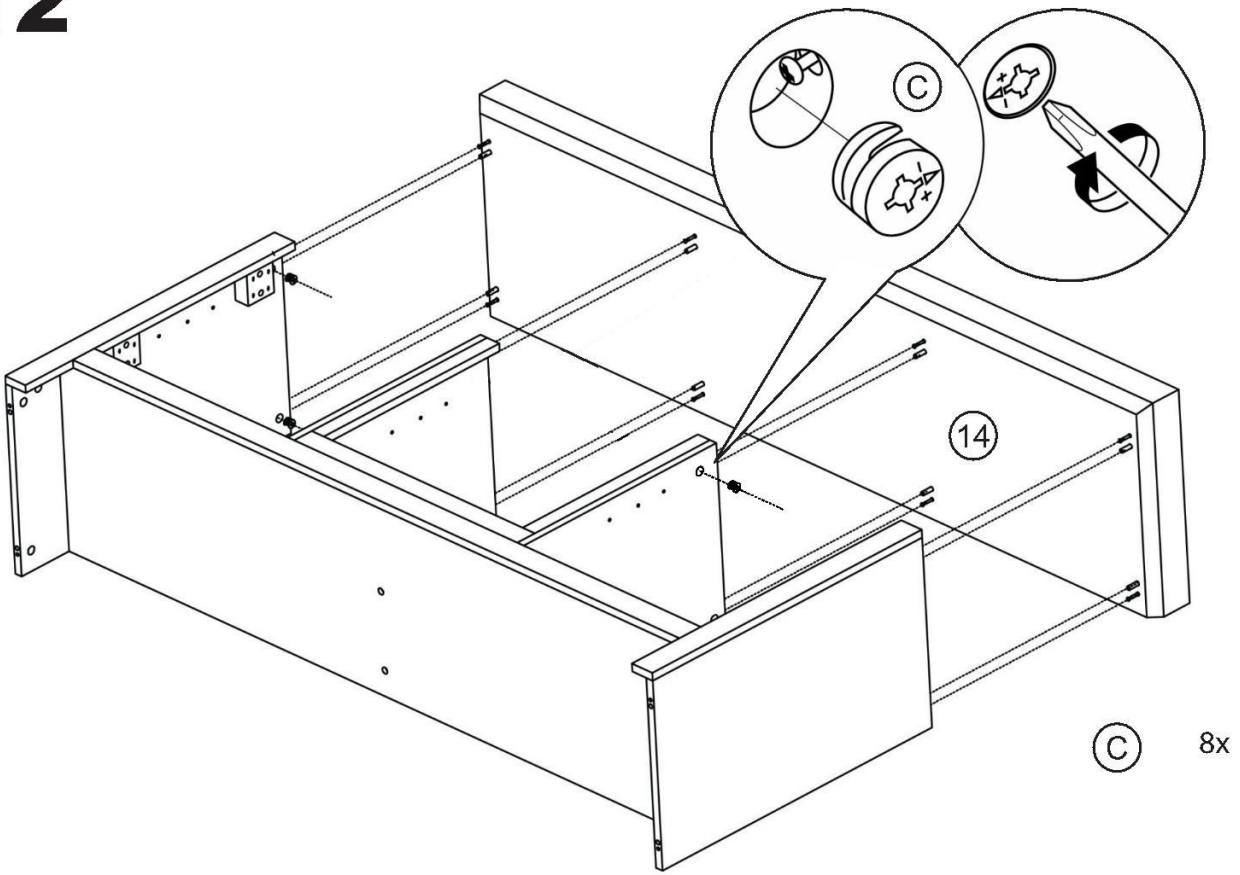
10



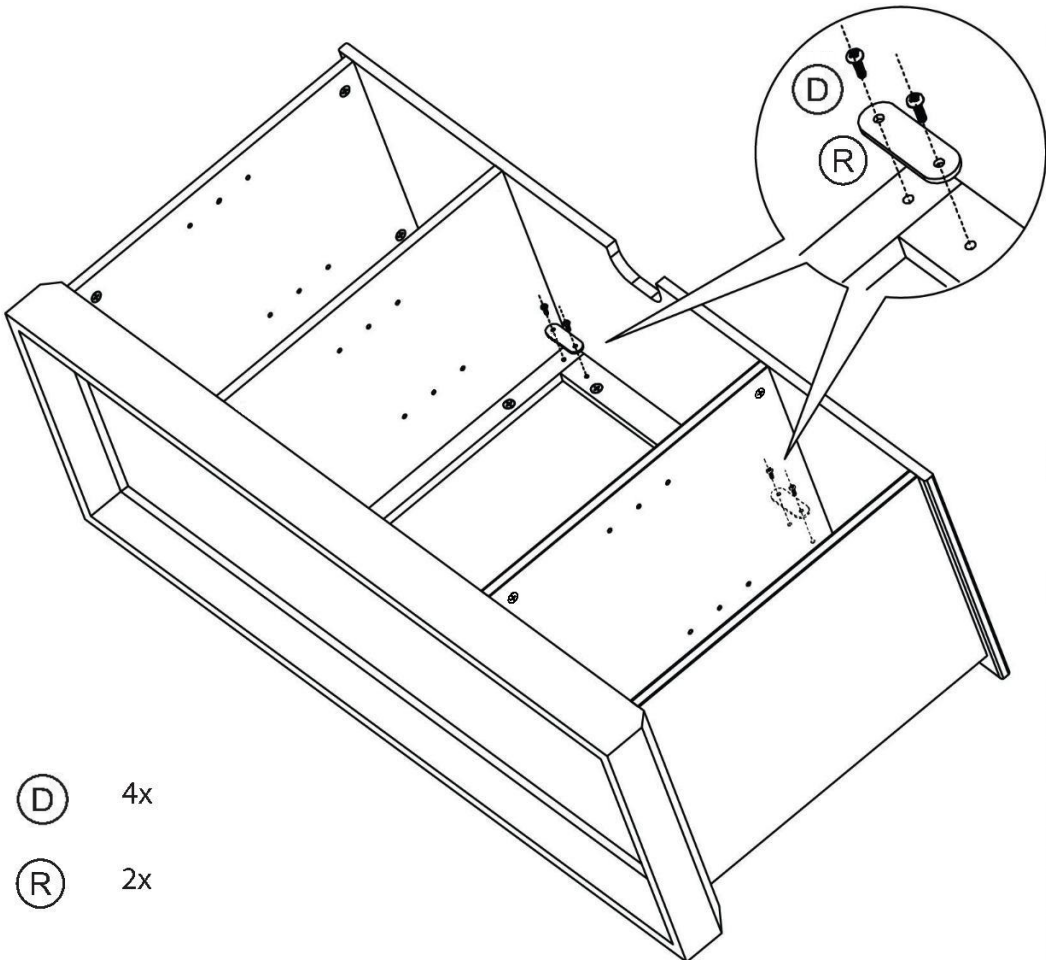
11



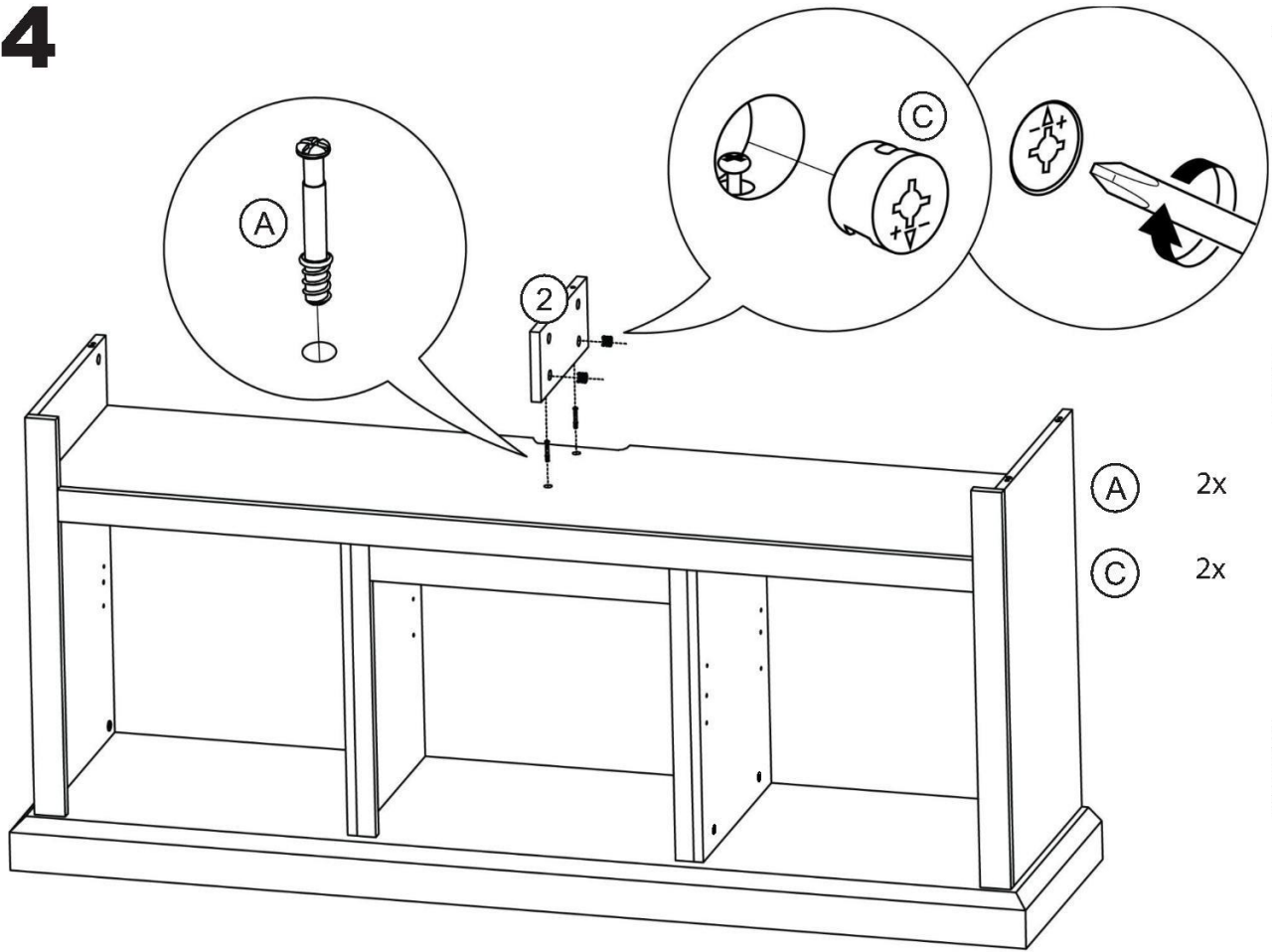
12



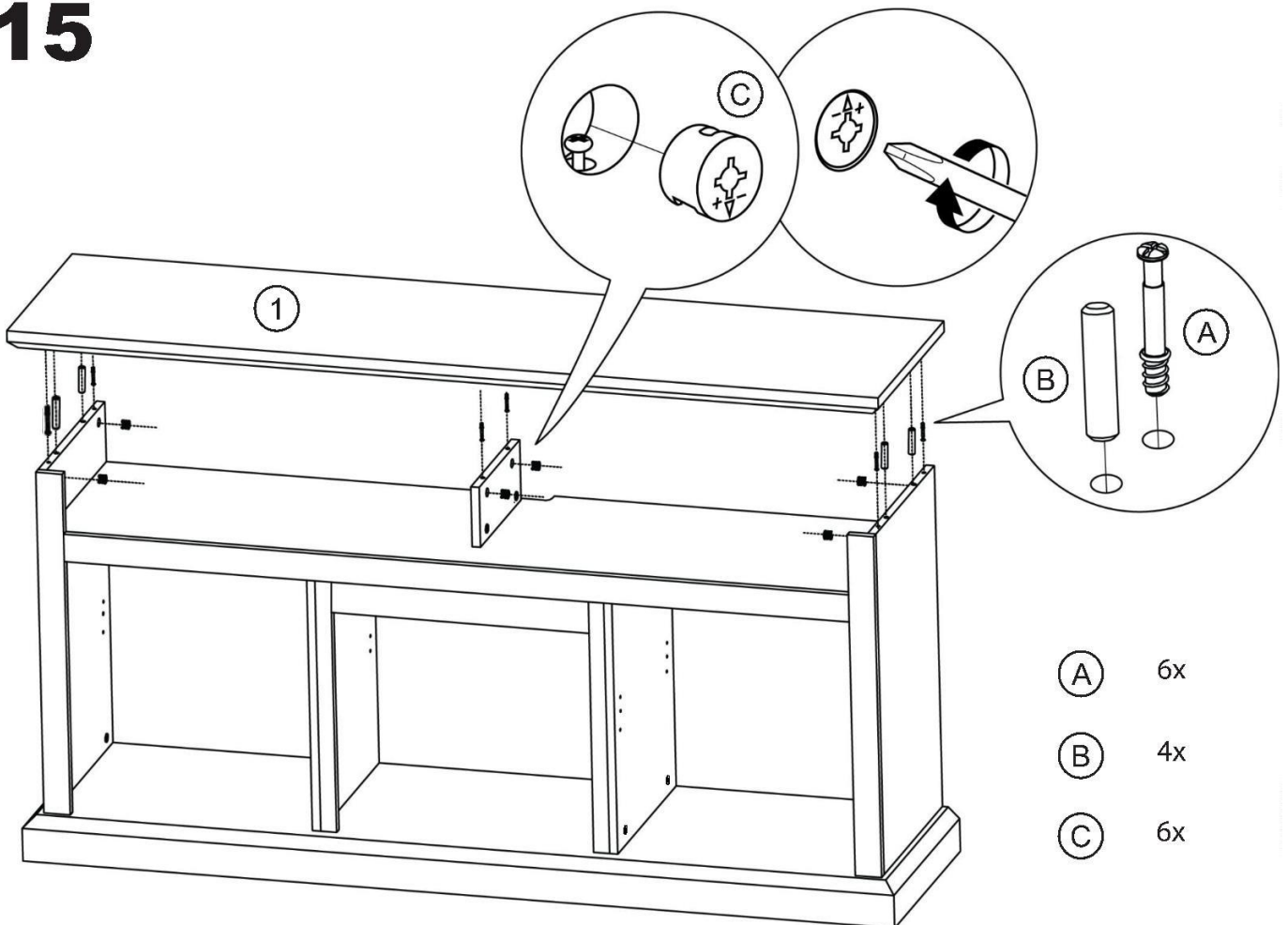
13



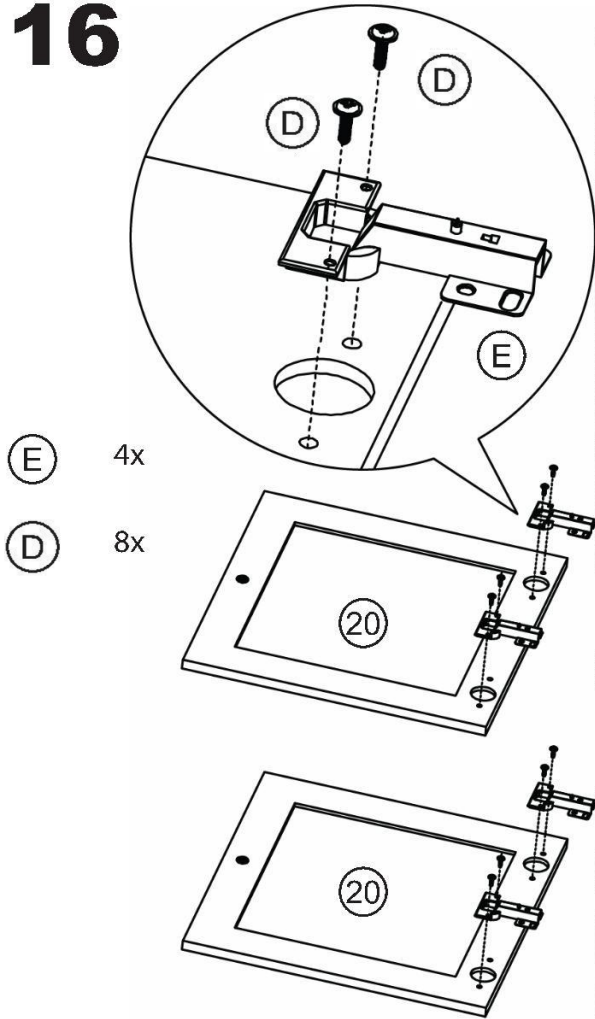
14



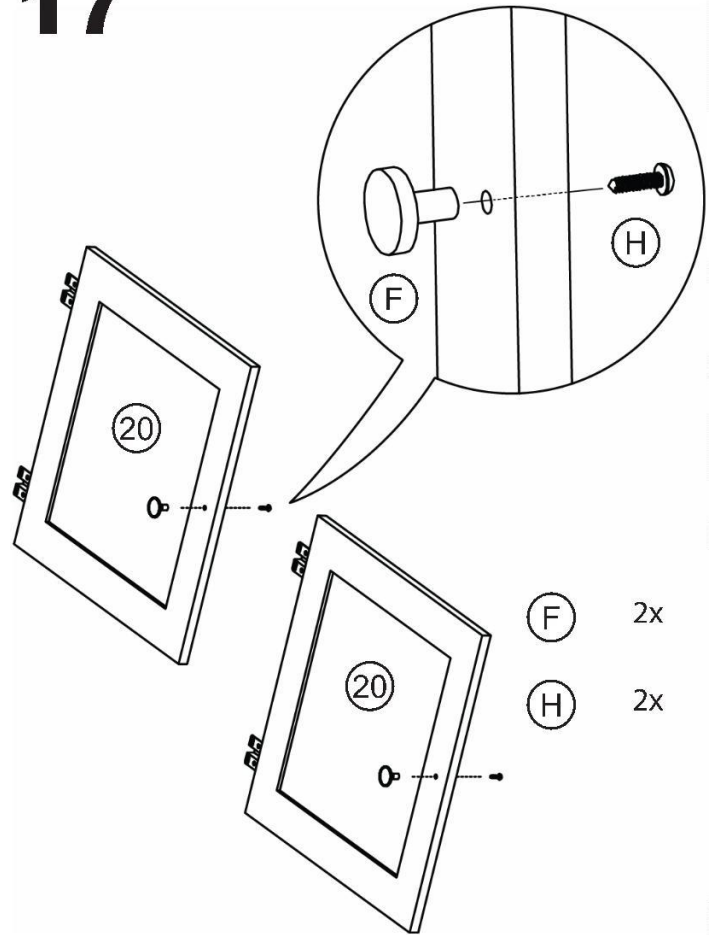
15



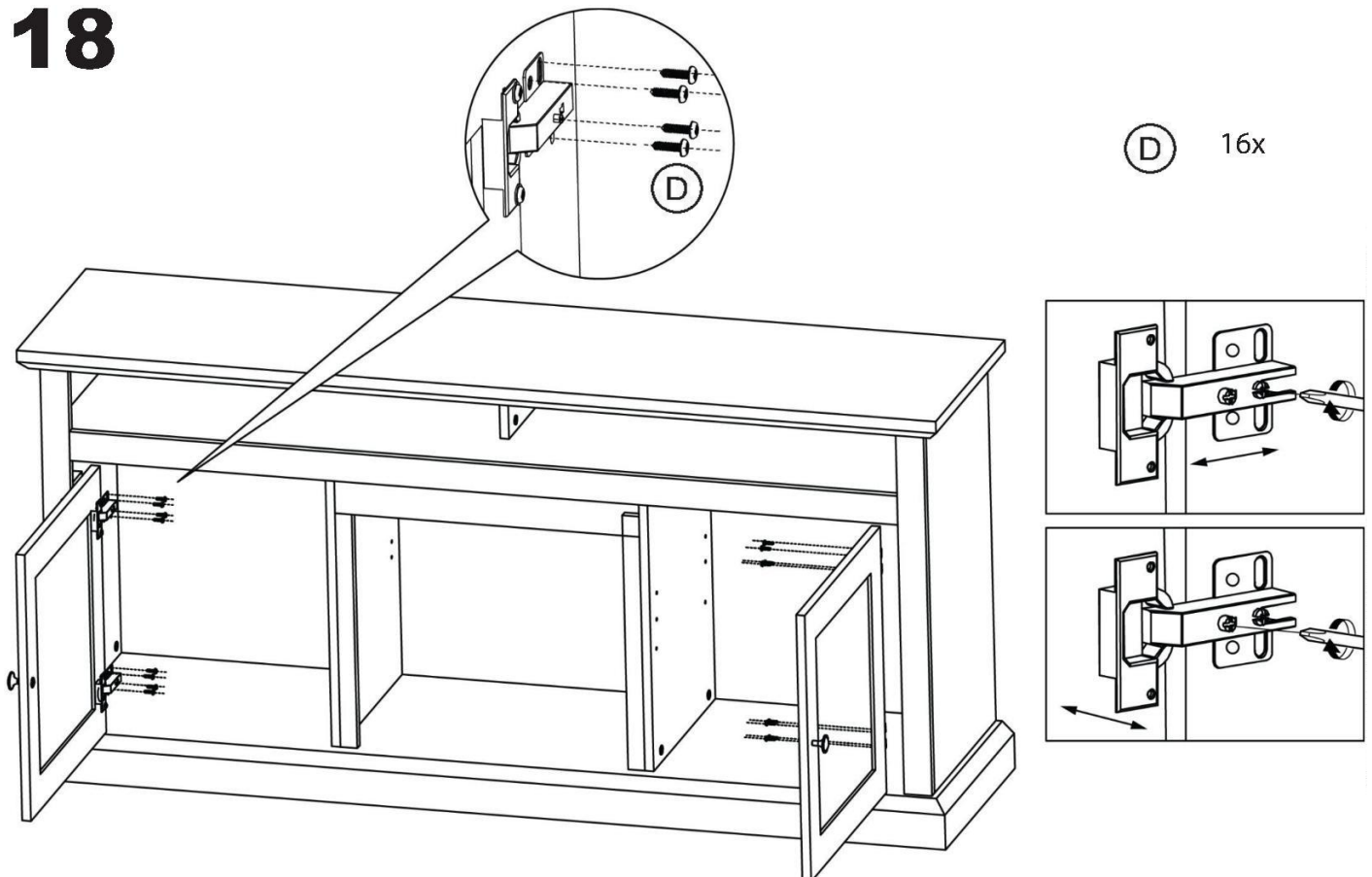
16



17



18

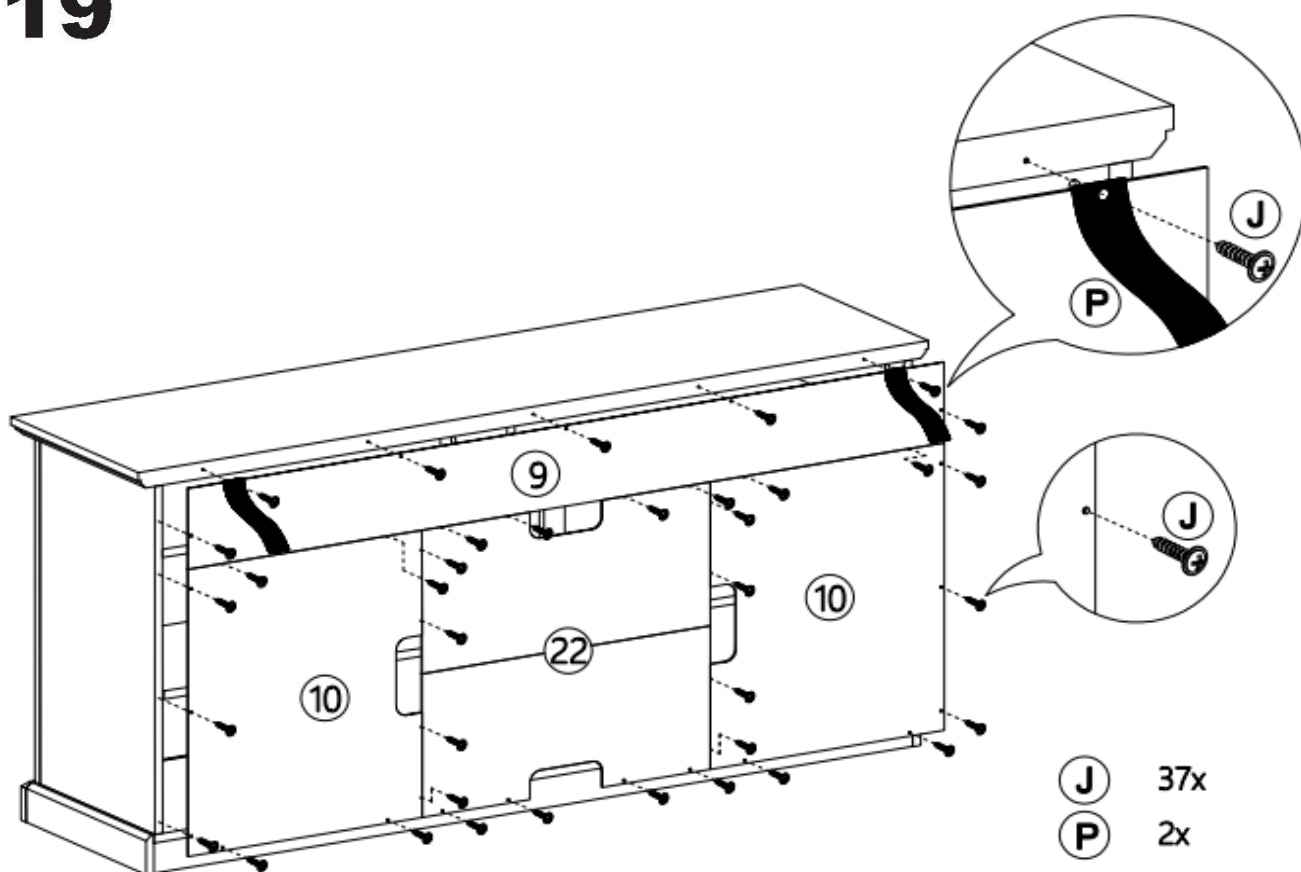


If you intended to use this product as a TV stand, continue the assembly instruction on page 15.

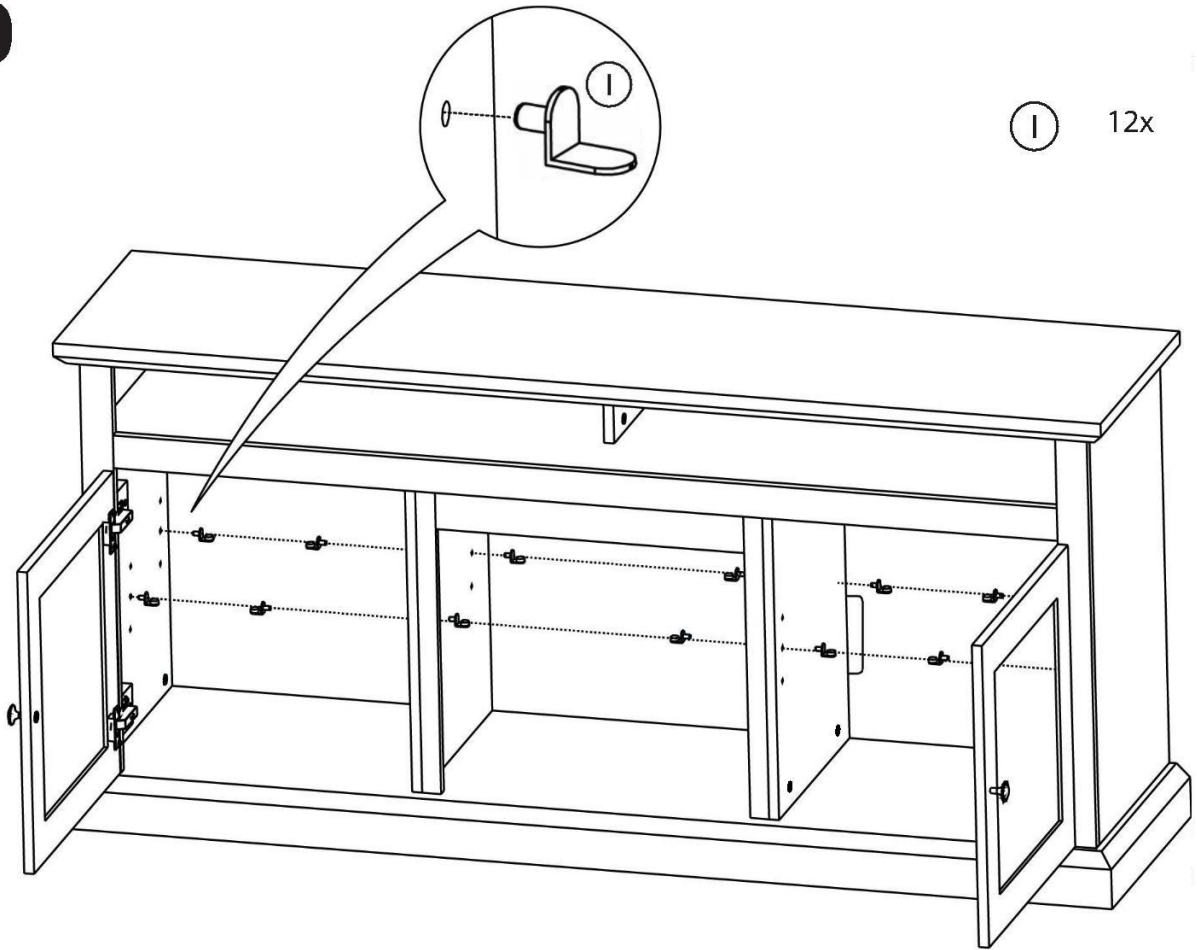
If you intended to use this product as a fireplace mantel, continue the assembly instruction on page 18.

TV STAND ASSEMBLY

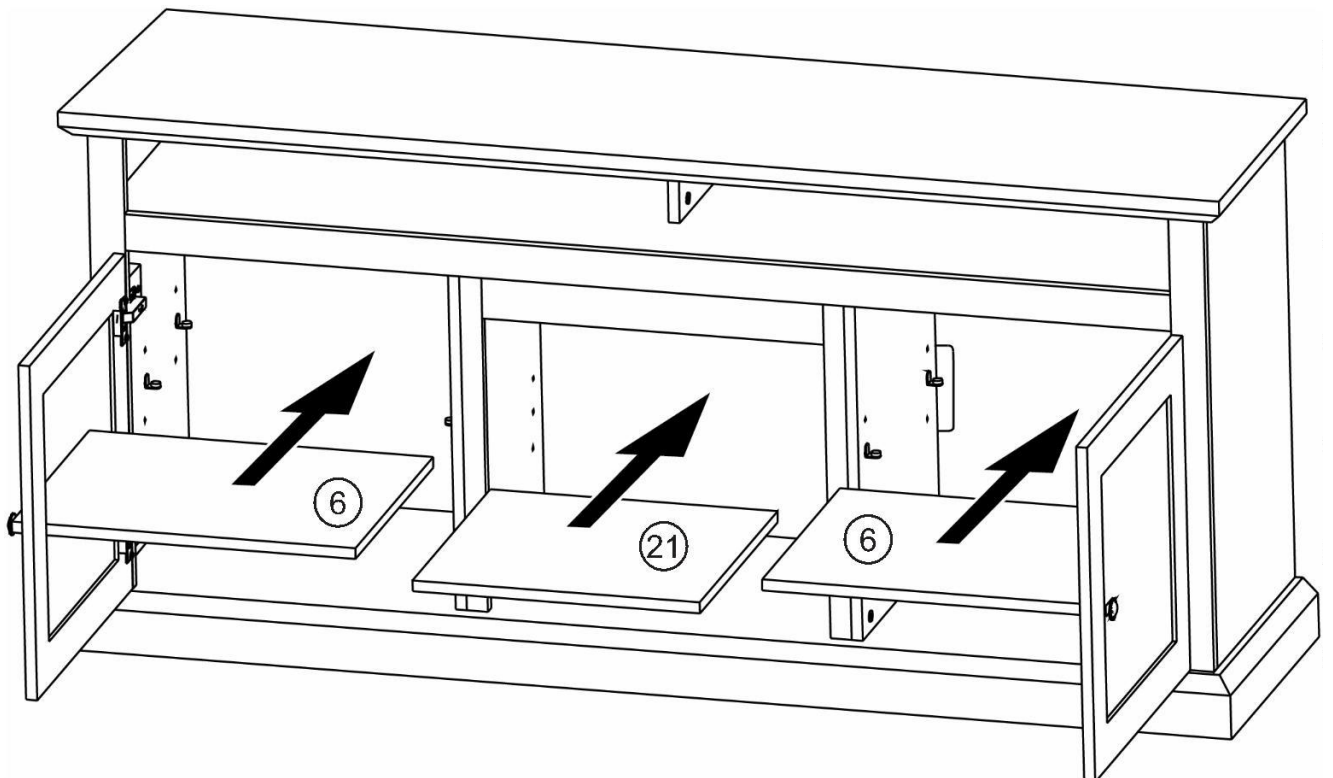
19



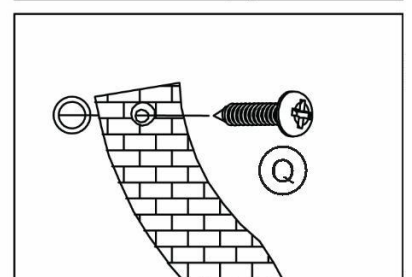
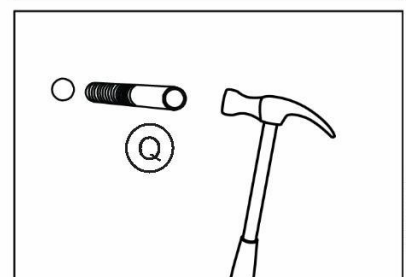
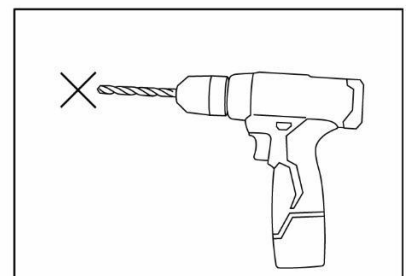
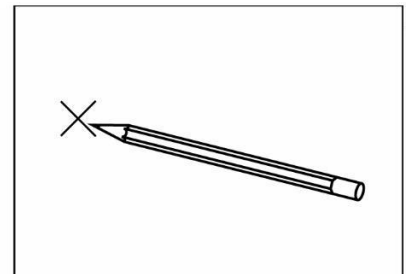
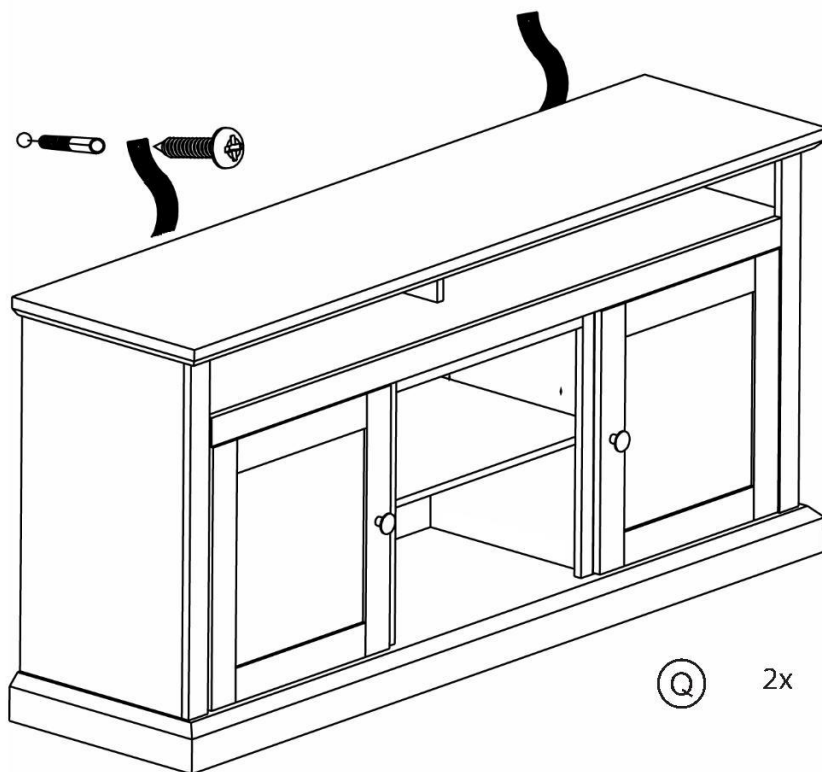
20



21



22

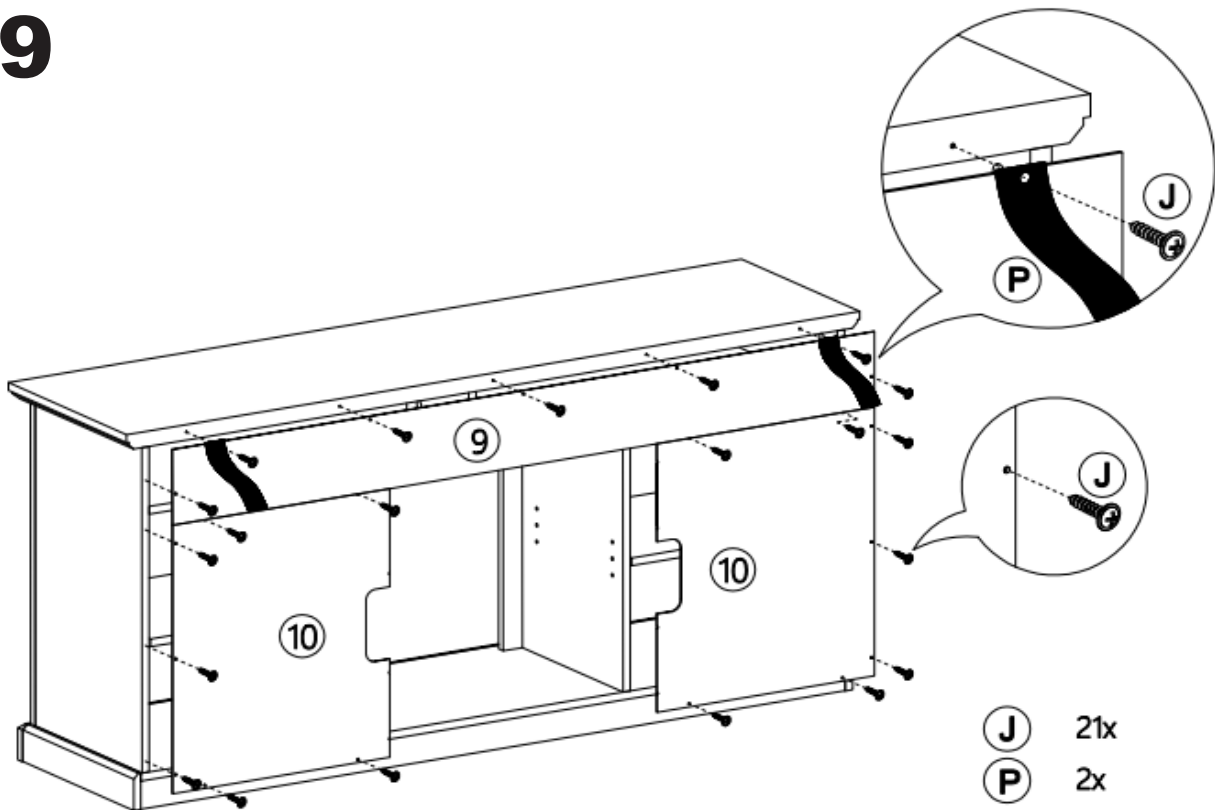


Furniture must permanently fixed to the wall stud with included anti-tipping device to prevent the furniture from tipping over.

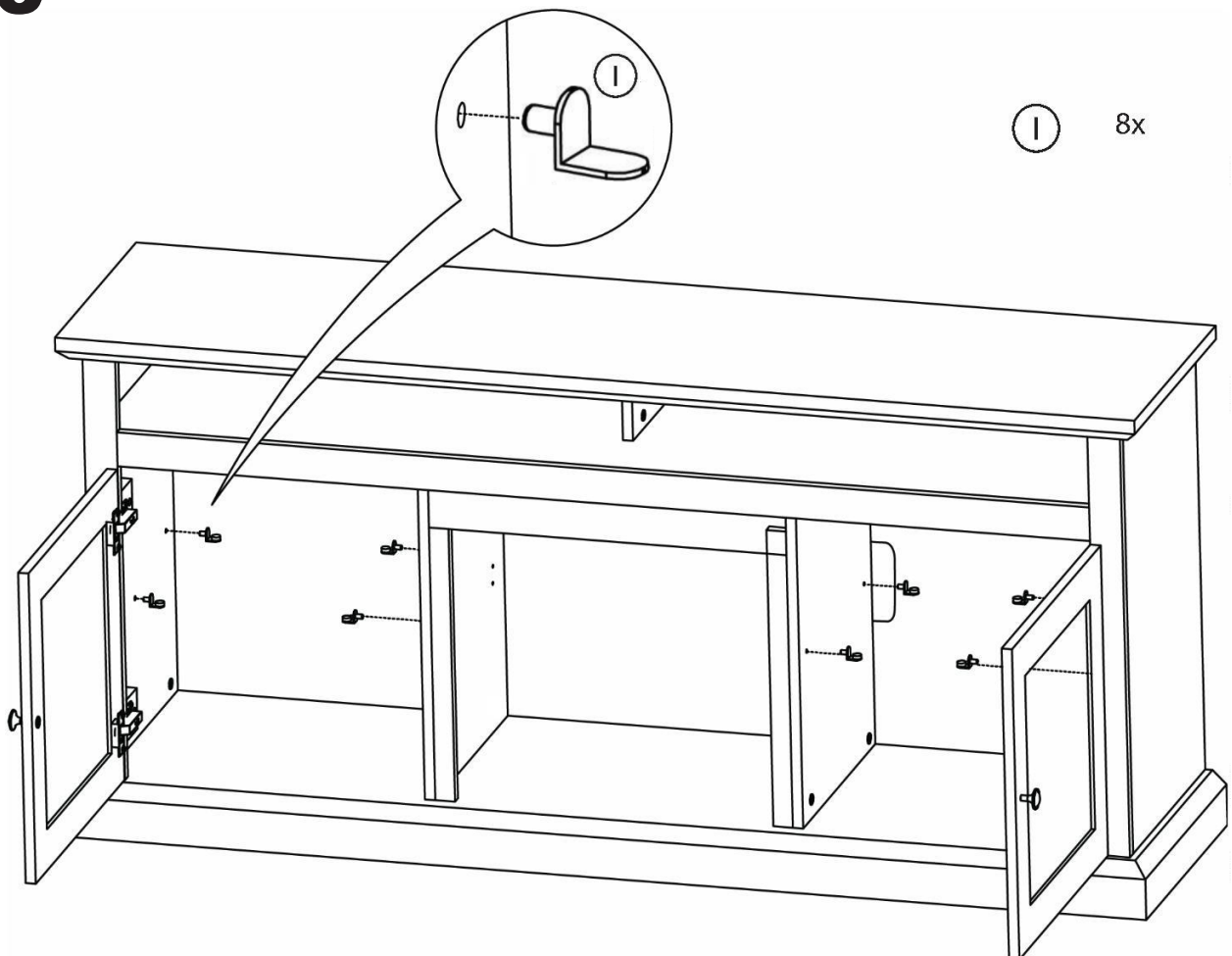
- Mark the drill position on the wall with a pencil.
- Drill a small hole on the marked position.
- Insert a wall anchor into the drilled hole.
- Fixed the anti tipping strap to the wall with provided screws.

FIREPLACE MANTEL ASSEMBLY

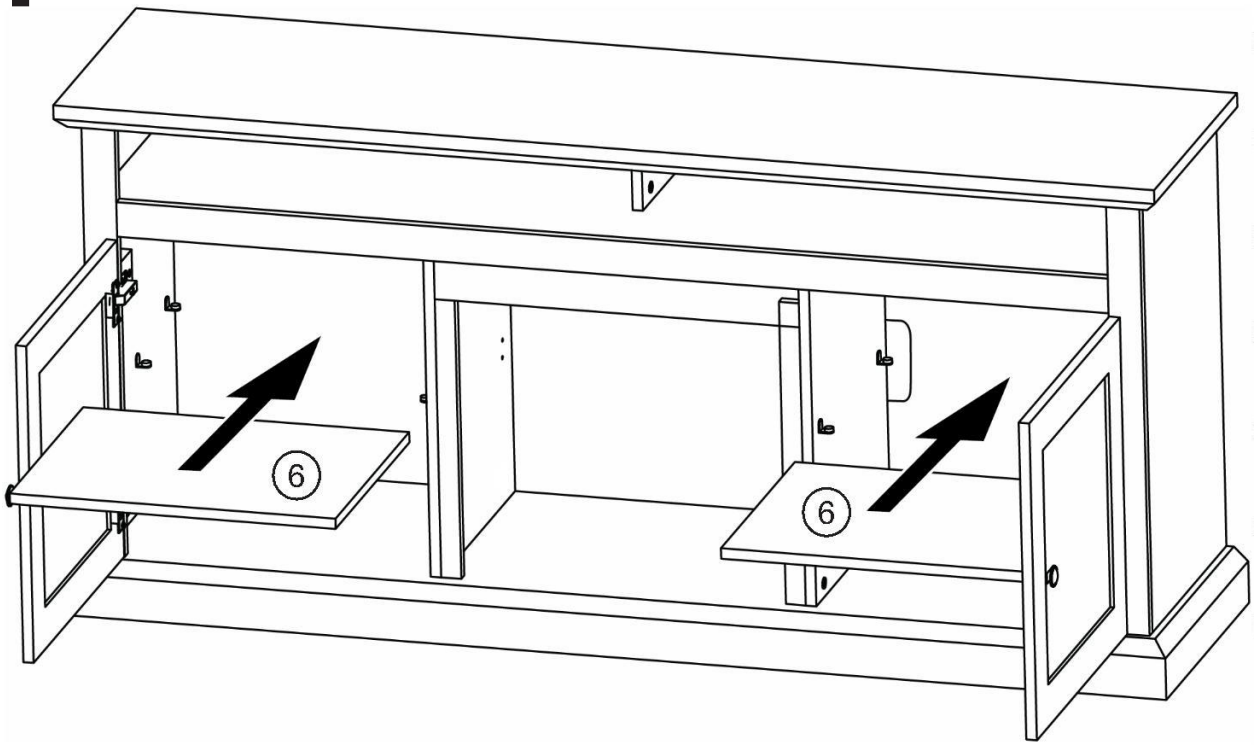
19



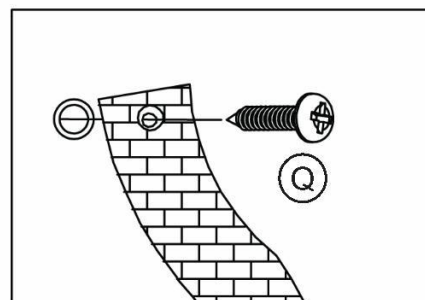
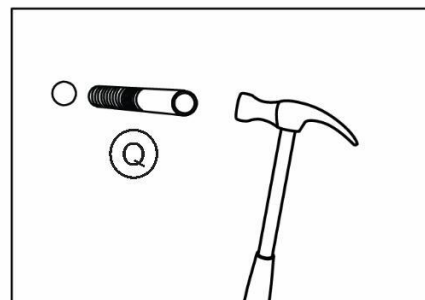
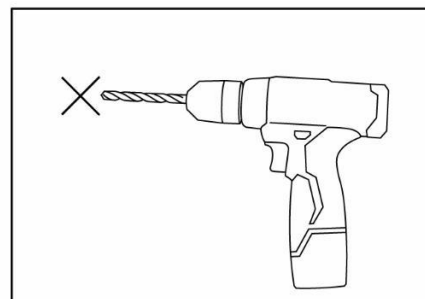
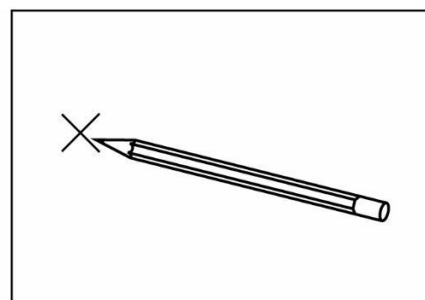
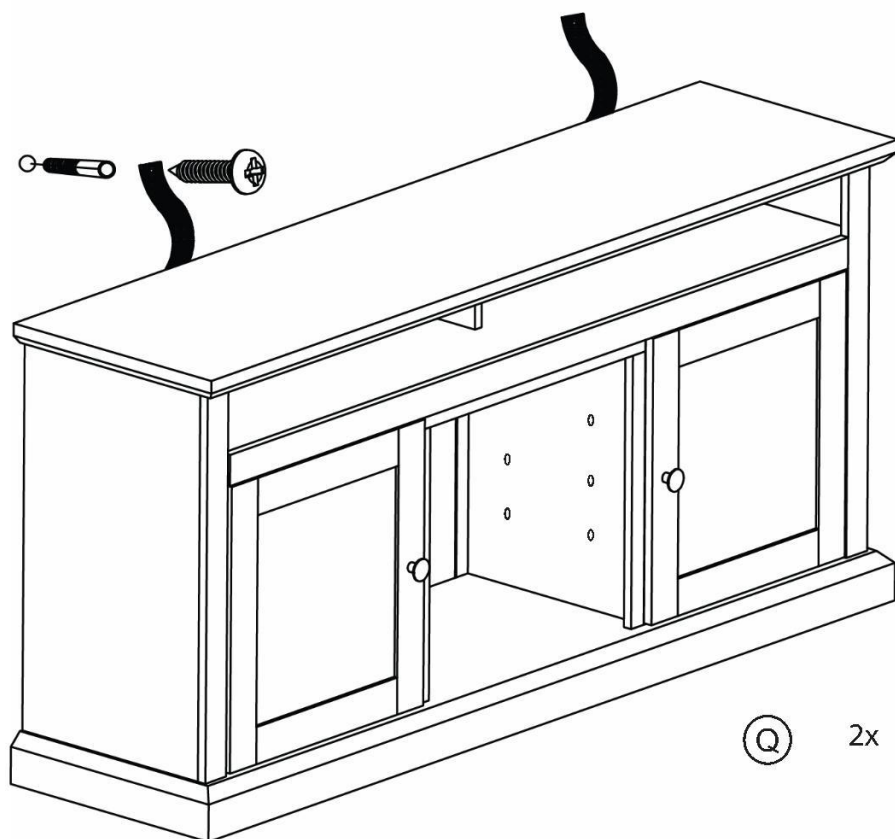
20



21

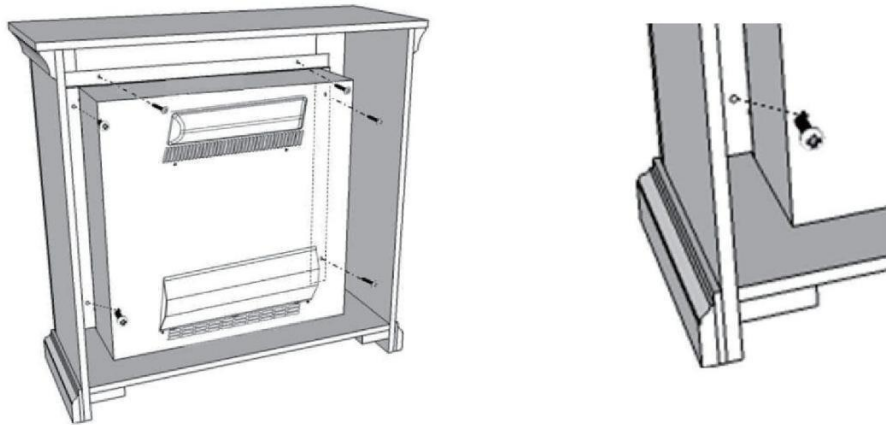


22



Furniture must permanently fixed to the wall stud with included anti-tipping device to prevent the furniture from tipping over.

- Mark the drill position on the wall with a pencil.
- Drill a small hole on the marked position.
- Insert a wall anchor into the drilled hole.
- Fixed the anti tipping strap to the wall with provided screws.



FIREPLACE INSTALLATION

If you decide to install the fireplace into the mantel, carefully set the unit from the back of the mantel and center it in the opening.

Check the alignment and attach the unit to the mantel by inserting screws through the drilled holes on the trim to the mantel.

NOTE: Do not attempt to install the unit from the front of the mantel. It will not fit.

FURNITURE CARE AND MAINTENANCE

Medium - Density Fiberboard

Thank you for your purchase. We want your item to last as long as possible. To ensure the product gives you years of service, please refer to this care and maintenance guide.



MAINTENANCE

- Tighten all bolts and screws again within the first 2 weeks of assembly.
- Check the tightness of all bolts every 2 months, tighten them if necessary.



CLEANING

- Clean the surface of the MDF (medium - density fiberboard) with a lightly dampened cloth.
- Small amount of mild soap can be used if necessary.
- Dry the surface immediately after cleaning.

- ⚠ DO NOT use bleach or alcohol detergent to clean the surface.
- ⚠ DO NOT apply wood treatment on parts made with MDF.

Medium - density fiberboard will swell and distort when suffer from water damage. Make sure to dry the furniture immediately after cleaning.