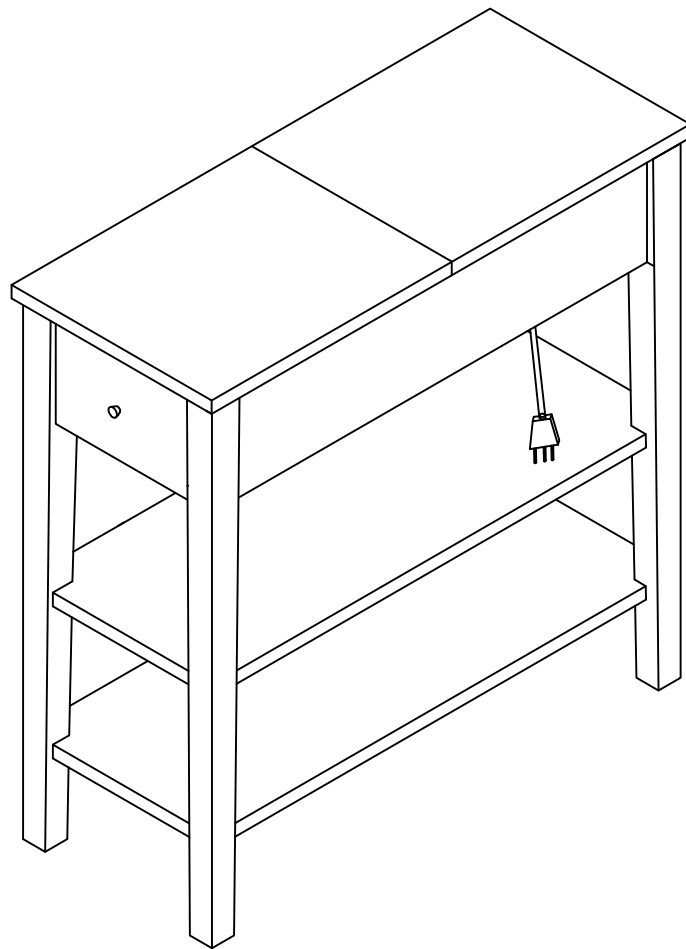
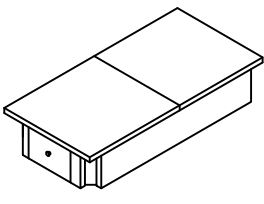
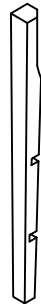




# End Table

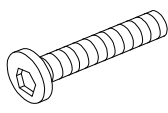
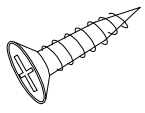


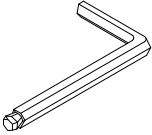
ET-230701



# PART LIST

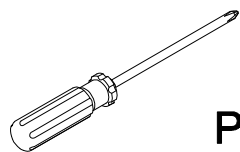
			
<p><b>Top Panel</b> 1 PC</p>	<p><b>Column Foot</b> 4 PCS</p>	<p><b>Up Middle Shelf</b> 1 PC</p>	<p><b>Under Middle Shelf</b> 1 PC</p>

# HARDWARE LIST

				
<p><b>Ø1/4"*1-3/4"</b>  Bolt 8 PCS(Extra 1)</p>	<p><b>Ø3mm*5/8"</b>  Flat Head Screw 8 PCS(Extra 1)</p>	<p><b>Ø1/4"*11mm</b>  Spring Washer 8 PCS(Extra 1)</p>	<p><b>Ø1/4"*13mm</b>  Flat Washer 8 PCS(Extra 1)</p>	<p><b>4mm</b>  Allen Key 1 PC</p>

## ADDITIONAL TOOLS(Not Provided)

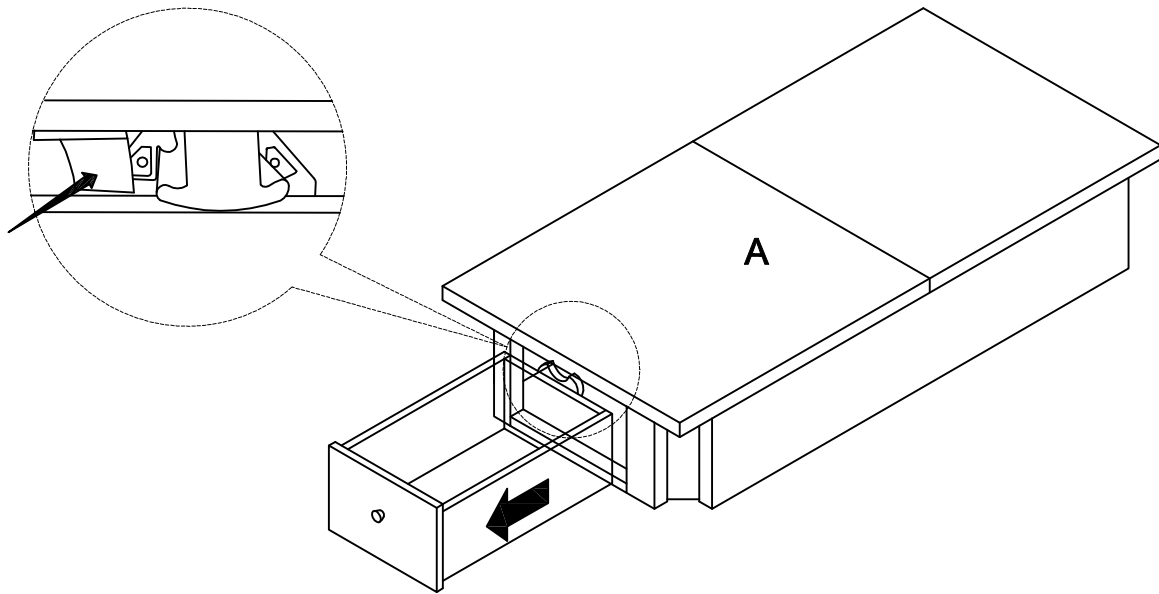
Note:It is not recommended to use power tools during assembly



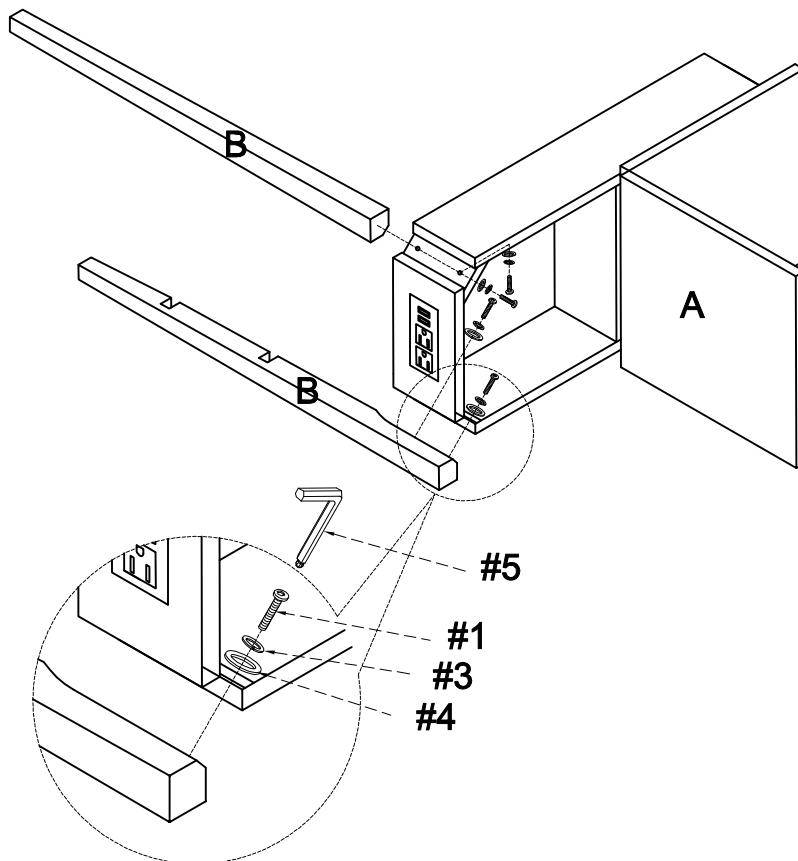
**Phillips Head Screwdriver**




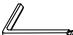
Note:Wood dowels are Intended for alignment, Additional clearance between wood dowel and pre-drilled hole is intentional for ease of assembly.

Step 1. Please fully push out the drawer.

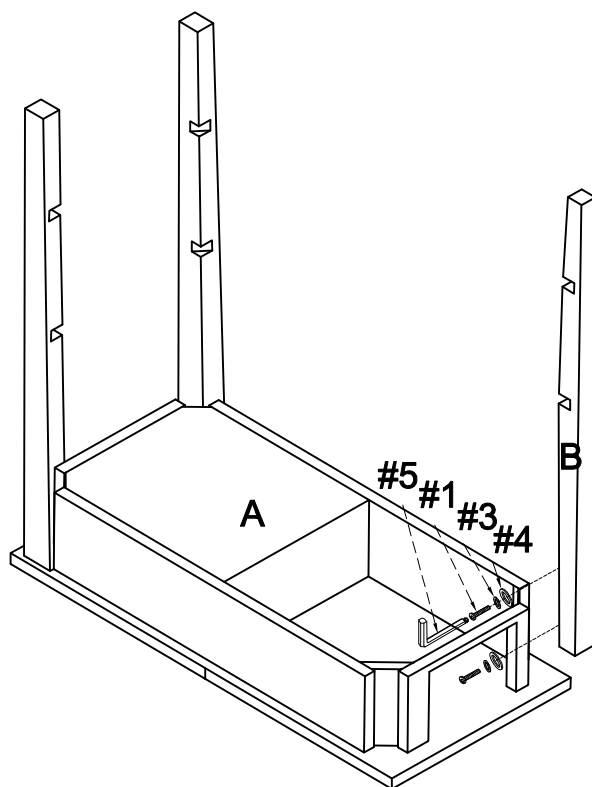


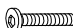



Step 2.



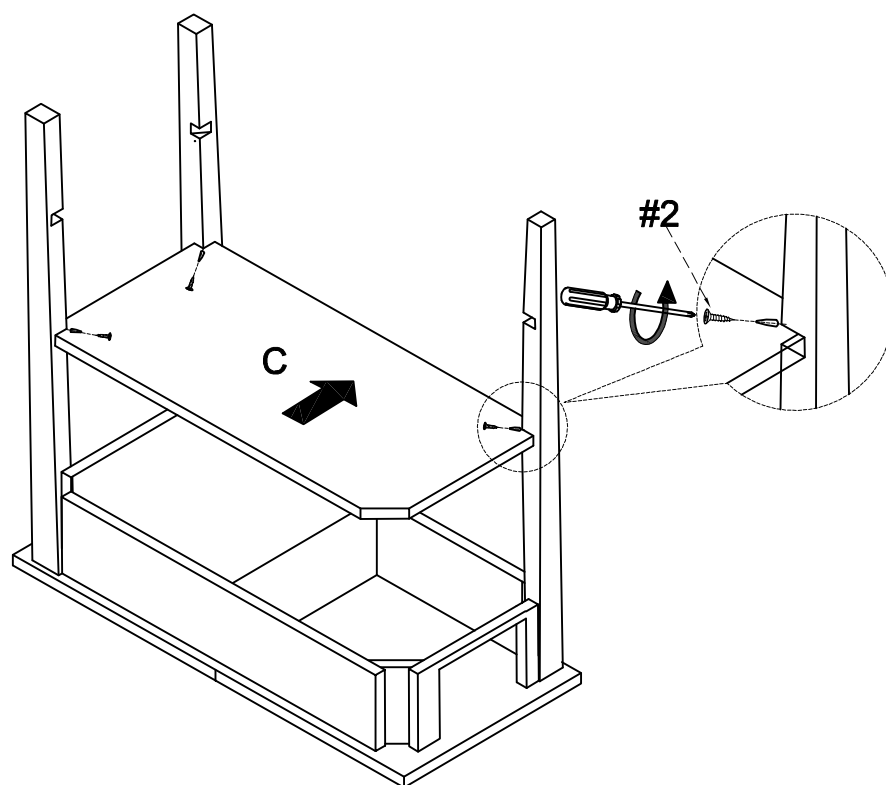
- |    |   |     |
|----|---|-----|
| #1 |  | x 4 |
| #3 |  | x 4 |
| #4 |  | x 4 |
| #5 |  | x 1 |

### Step 3.



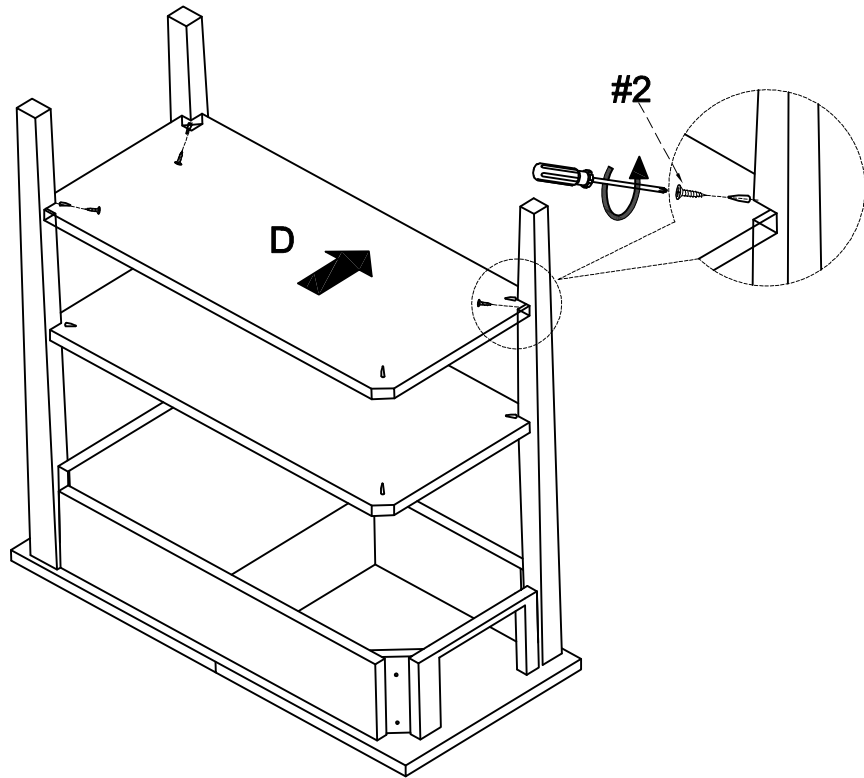
- #1  x 2
- #3  x 2
- #4  x 2
- #5  x 1

### Step 4.



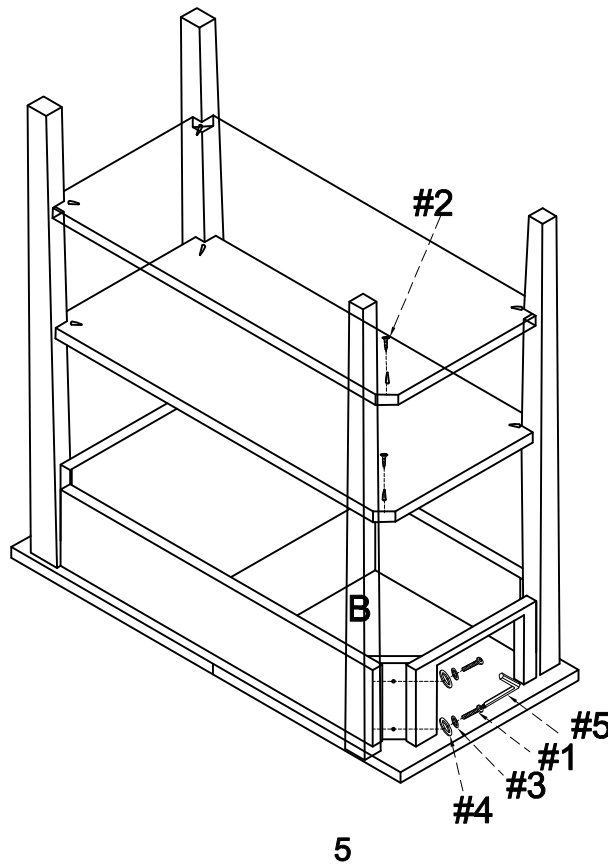
- #2  x 3






Step 5.



#2  x 3

Step 6.



#1  x 2  
 #2  x 2  
 #3  x 2  
 #4  x 2  
 #5  x 1

**Step 7.** Please push the drawer in as shown.

