

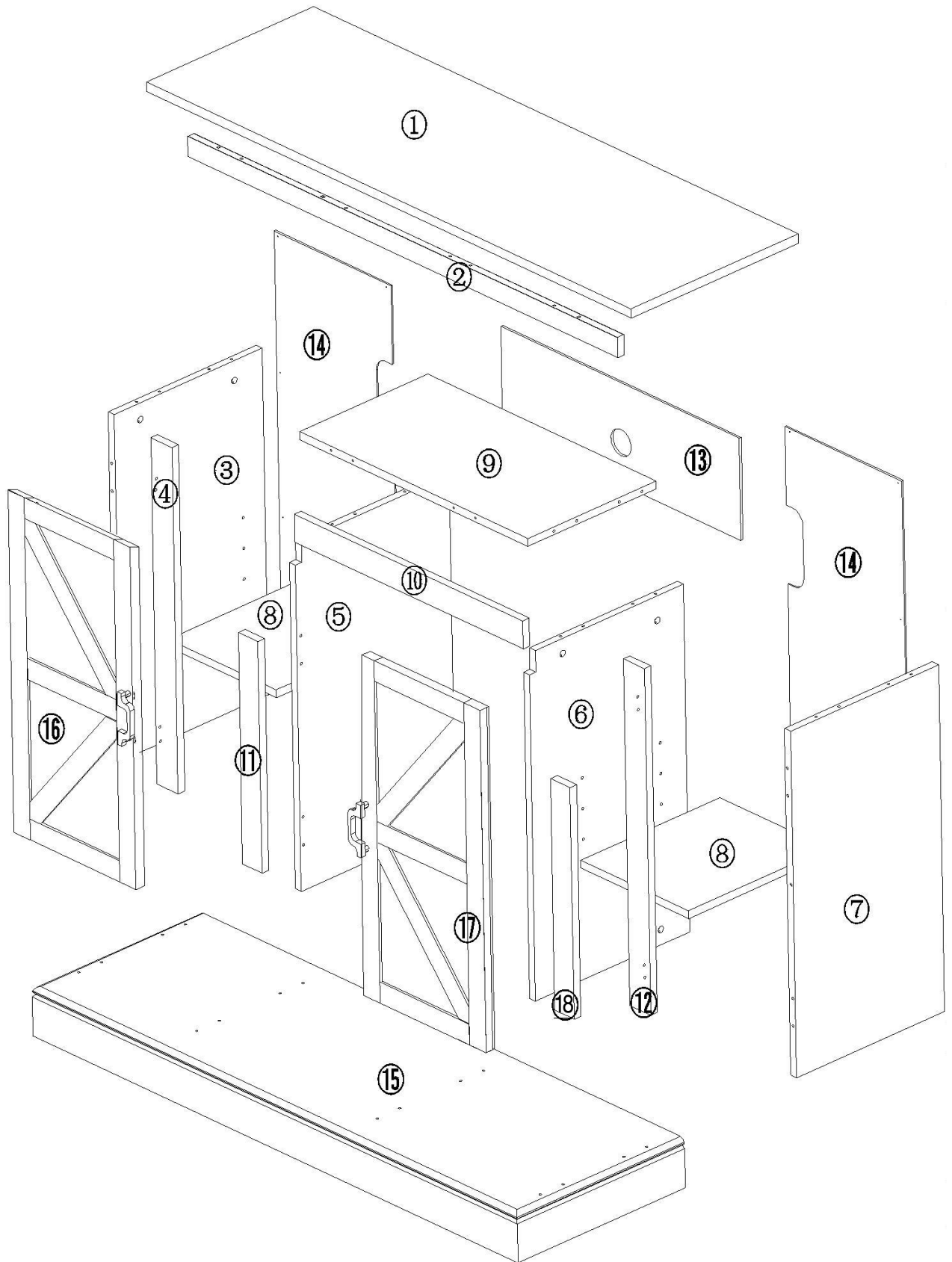
47" TV Stand w/ Fireplace

Item: FP-230501

Assembly Instructions

NOTE: This instruction manual contains **IMPORTANT** safety information. Please read carefully before assembling the product

PACKAGE CONTENT



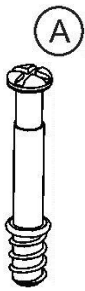
PACKAGE CONTENT

CODE	DESCRIPTION	QTY
1	Countertop Board	1
2	Lintel	1
13	Upper Back Panel	1
14	Lower Back Panel	2
15	Base Plate	1

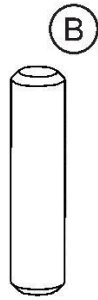
PACKAGE CONTENT

CODE	DESCRIPTION	QTY
3	Left Side Plate	1
4	Left Side Bar	1
5	Left Middle	1
6	Right Middle	1
7	Right Side Plate	1
8	Storage Board	2
9	Laminates	1
10	Center Bar	1
11	Left Lower Back	1
12	Right Side Bar	1
16	Cabinet Door	1
17	Right Lower Back	1

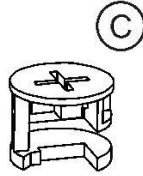
PACKAGE CONTENT



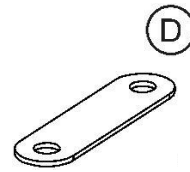
36x + 1



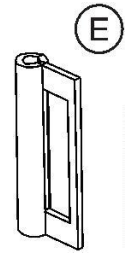
34x + 1



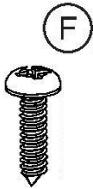
36x + 1



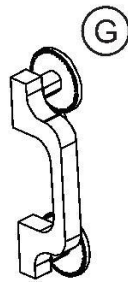
2x



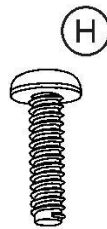
4x



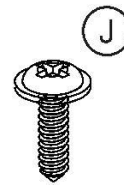
28x



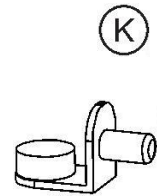
2x



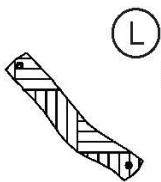
4x



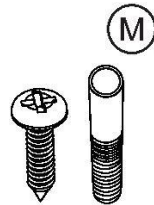
22x



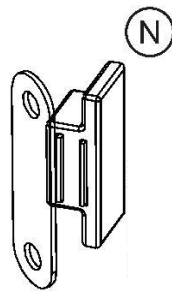
8x



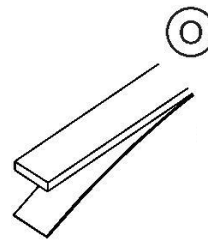
2x



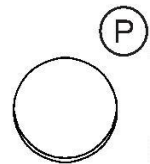
2x



2x

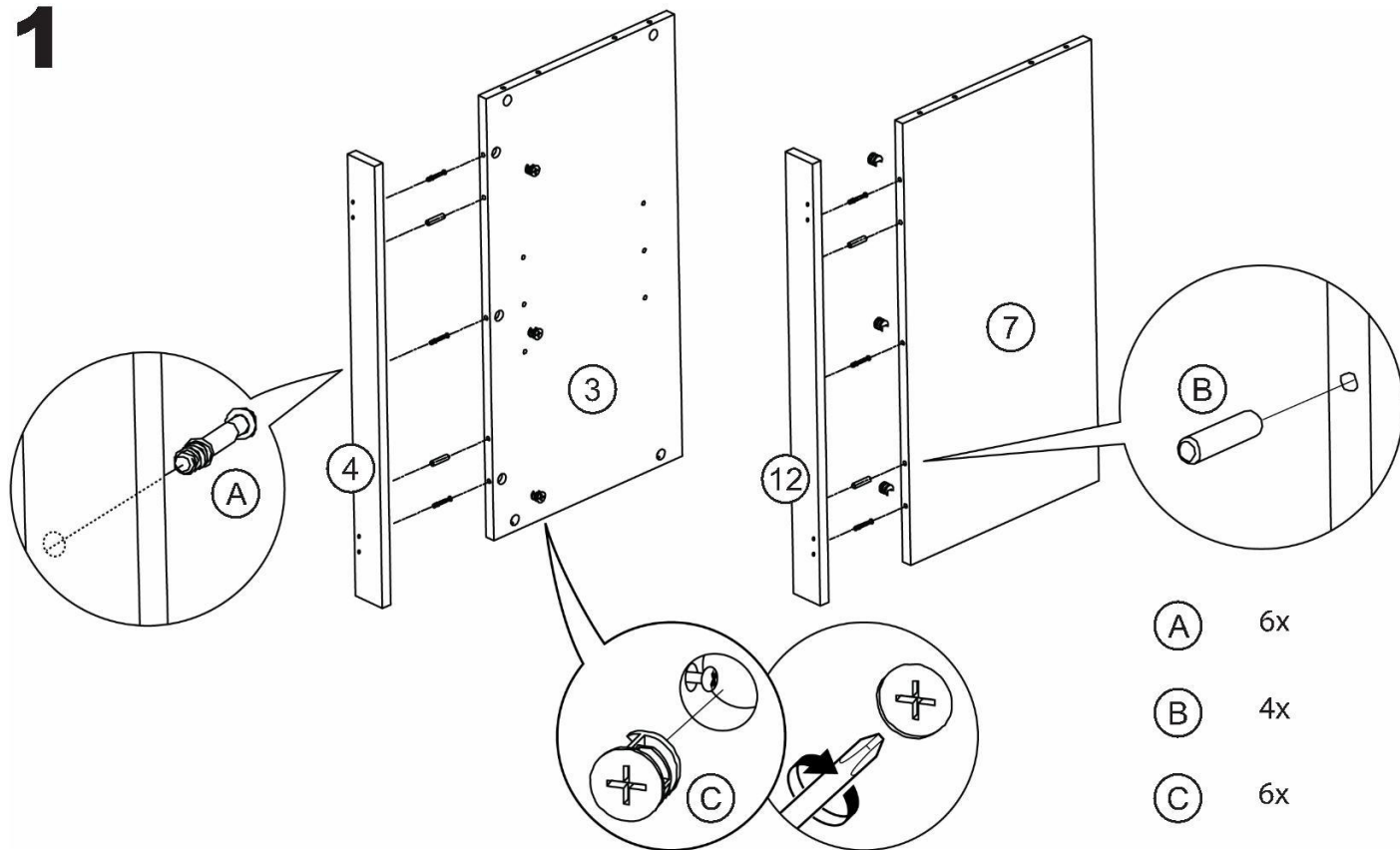


1x

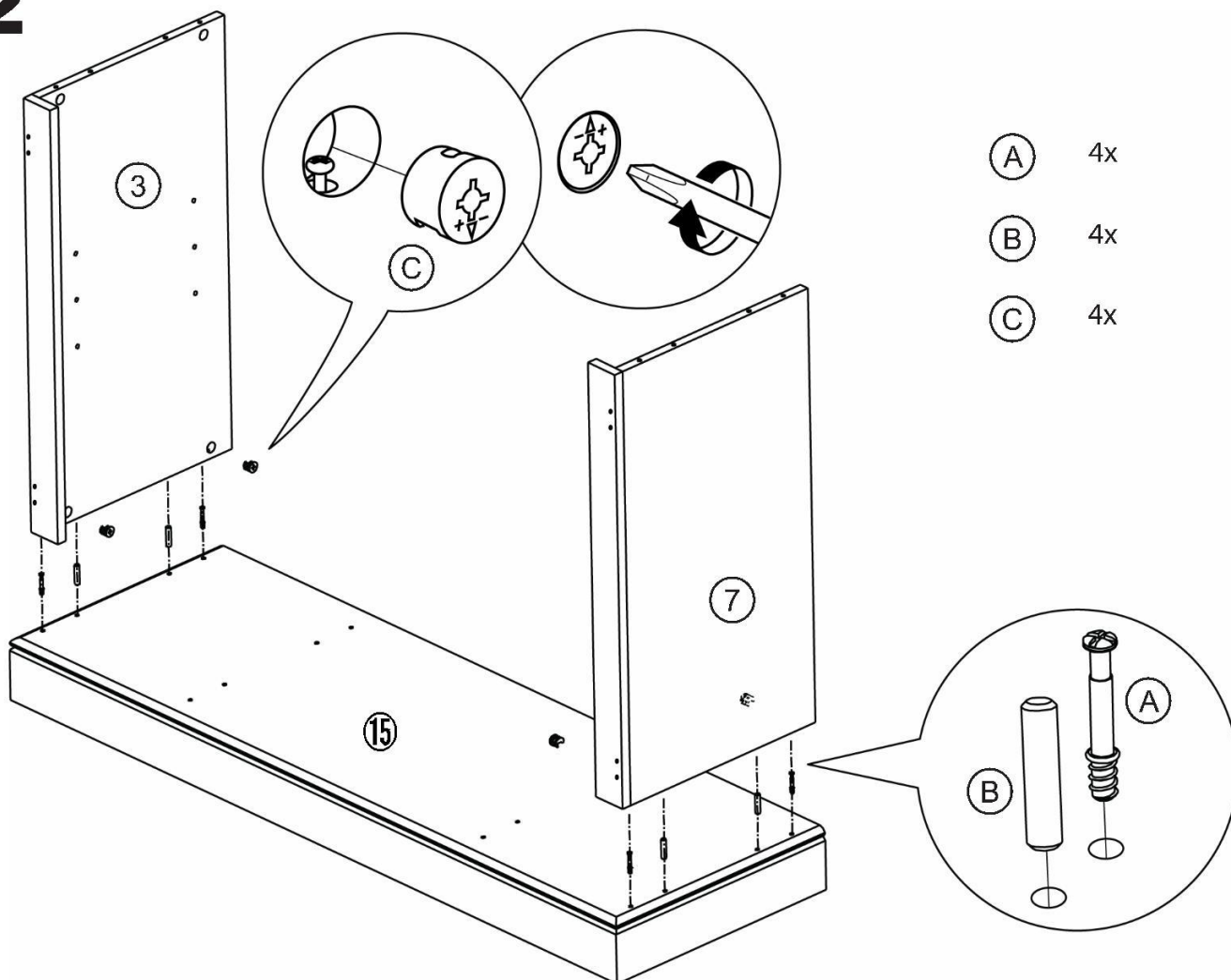


34x

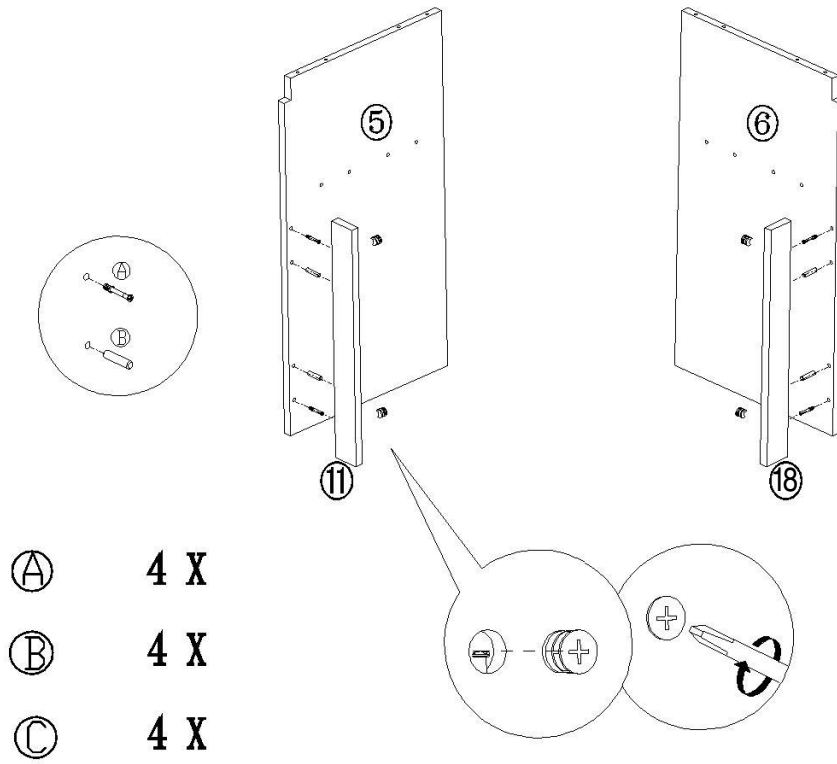
1



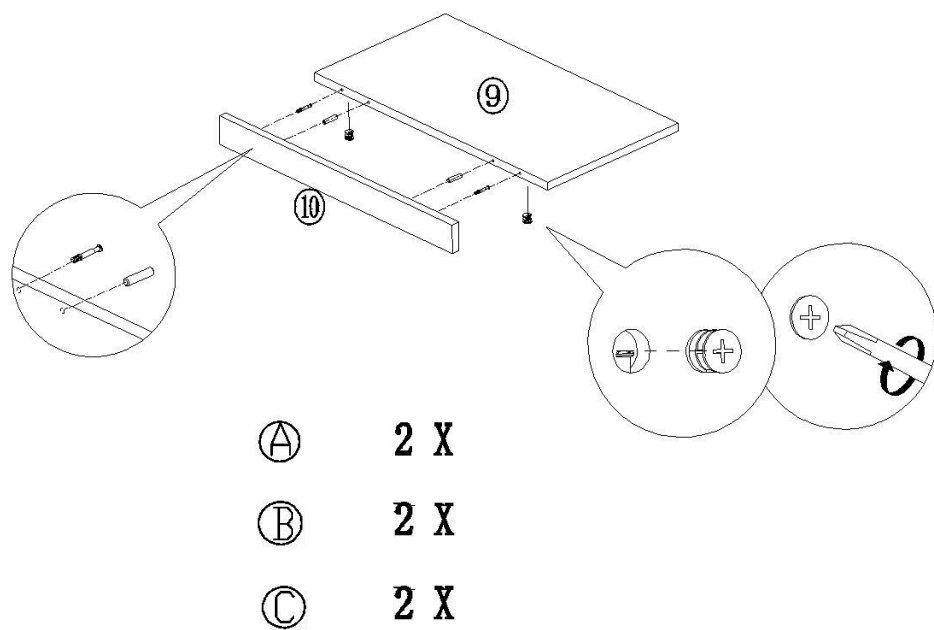
2



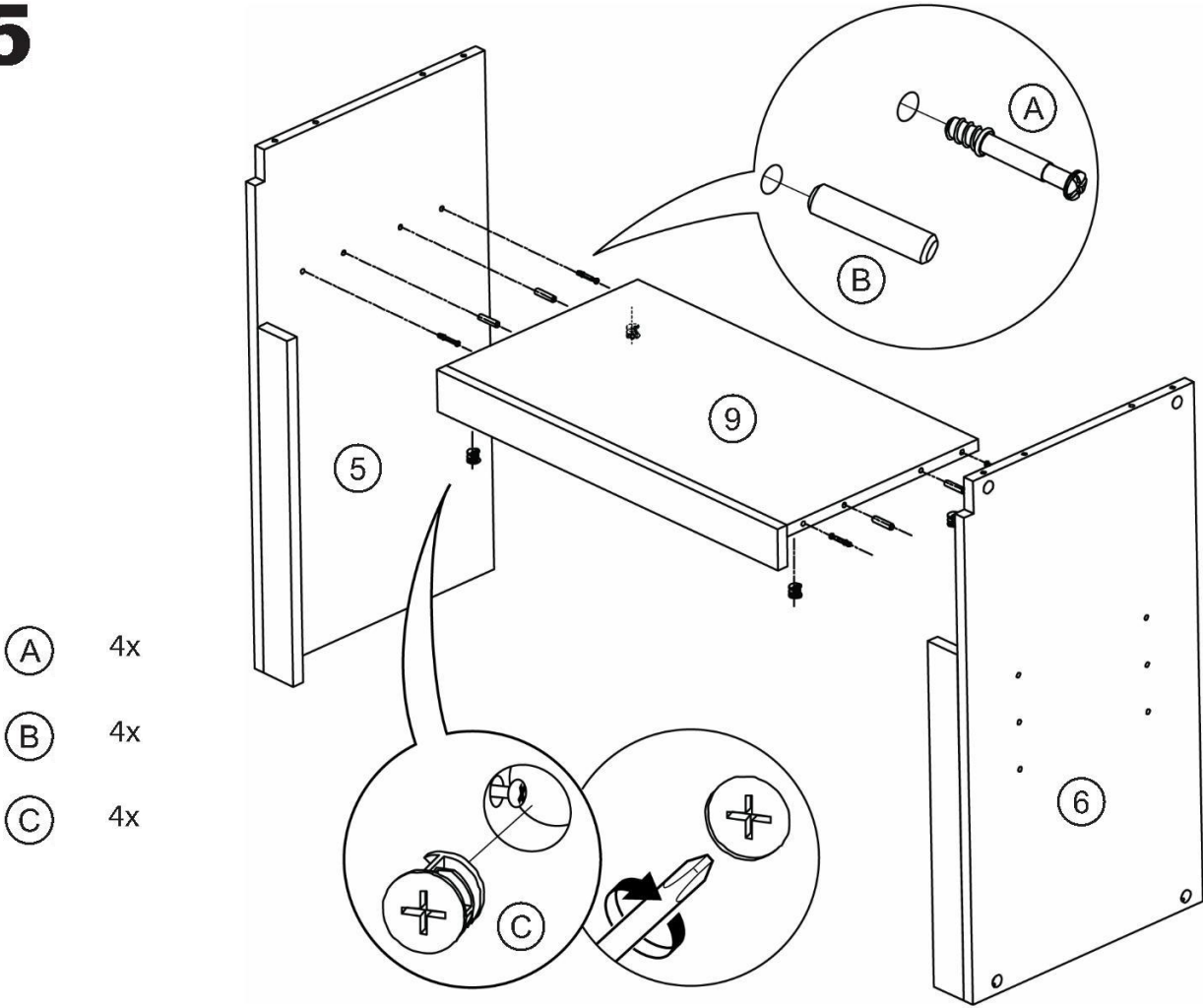
3



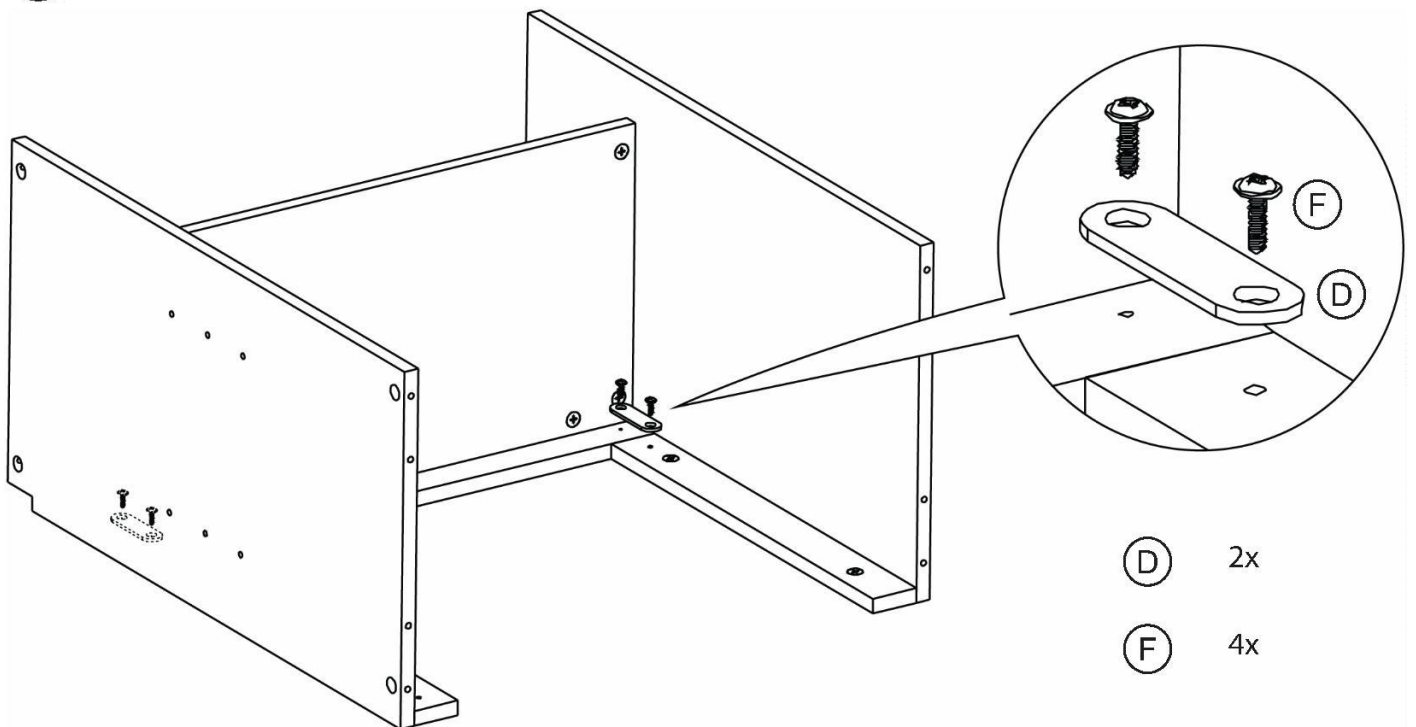
4



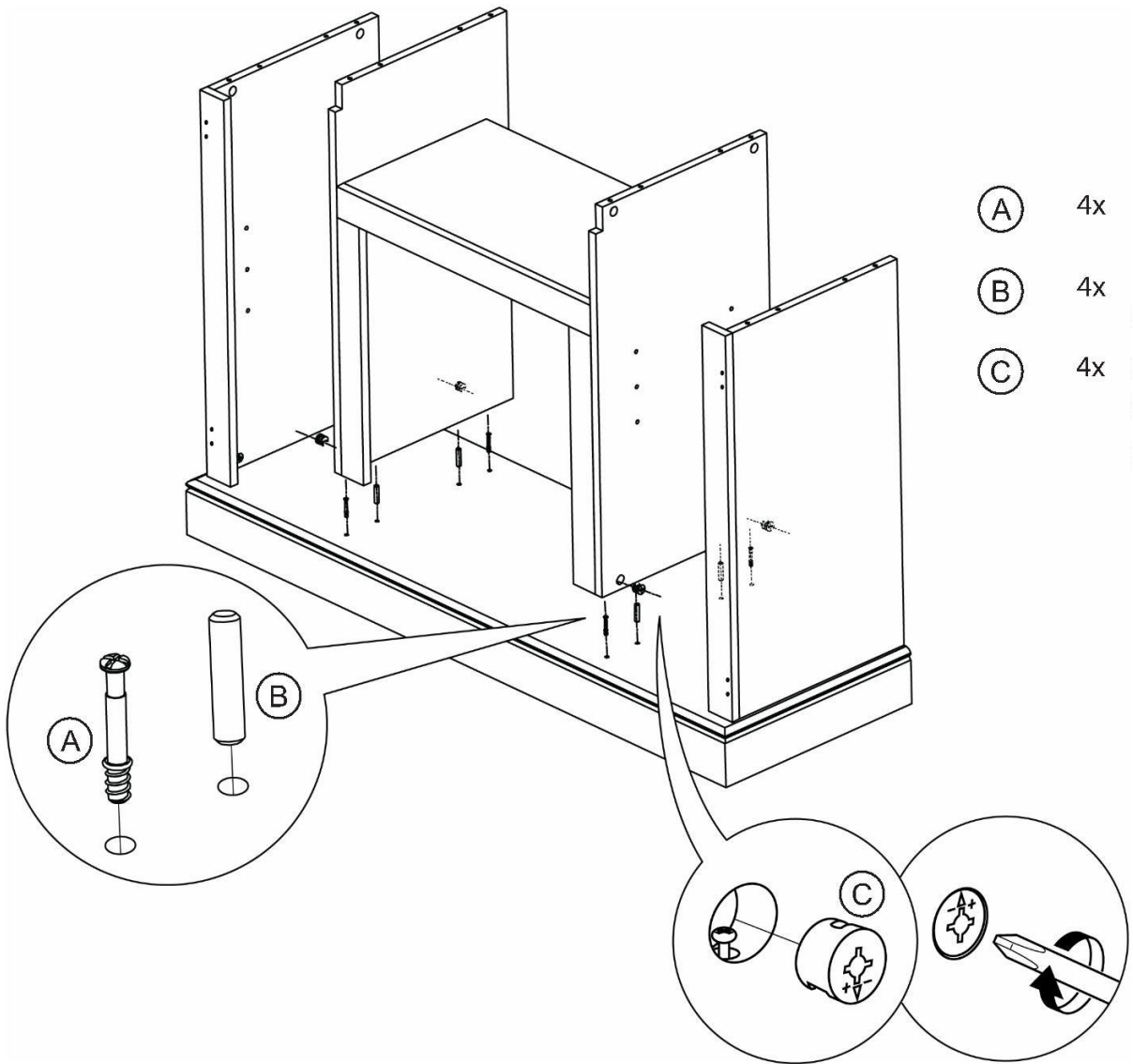
5



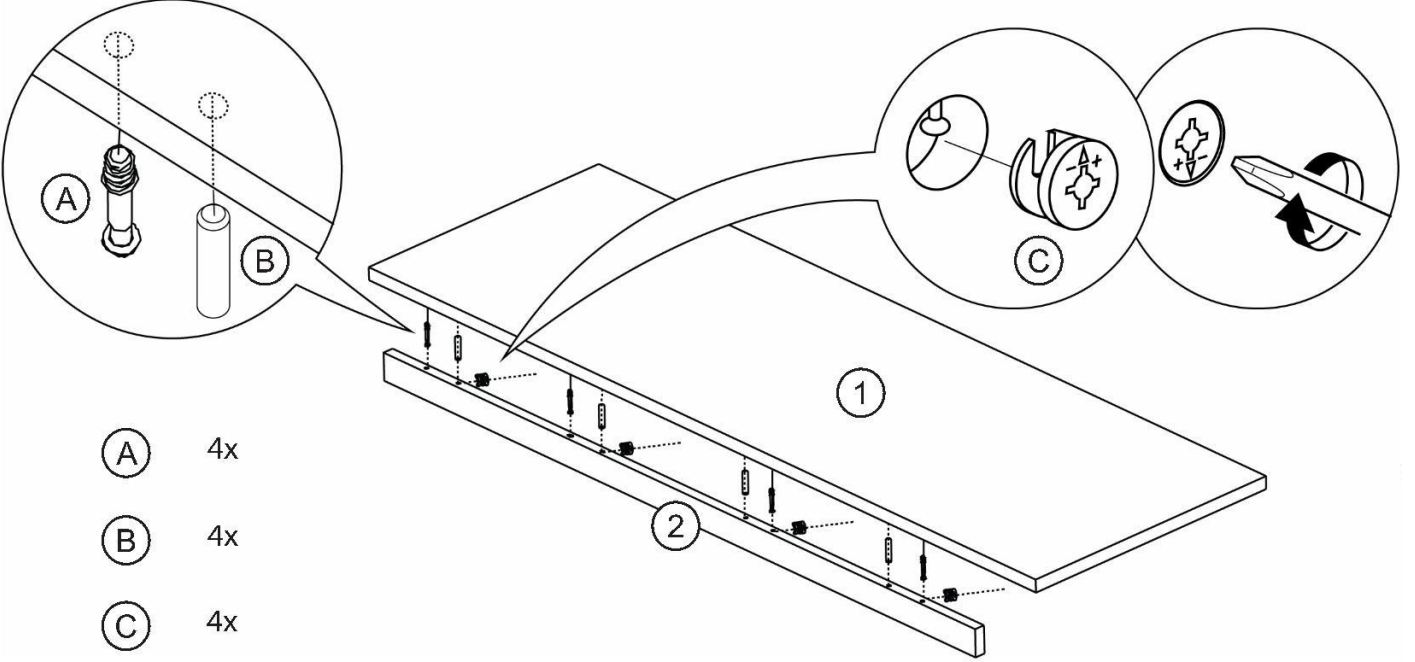
6



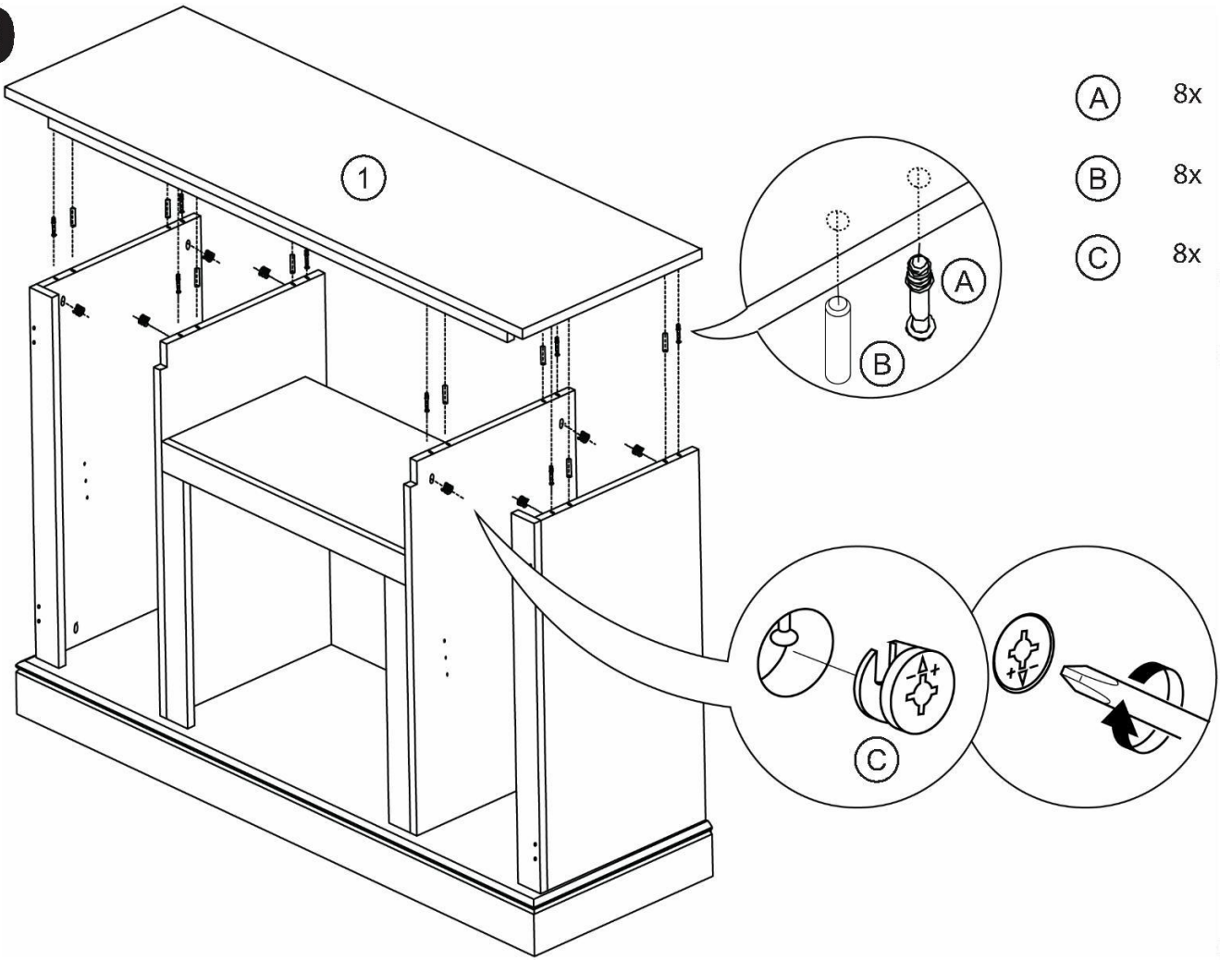
7



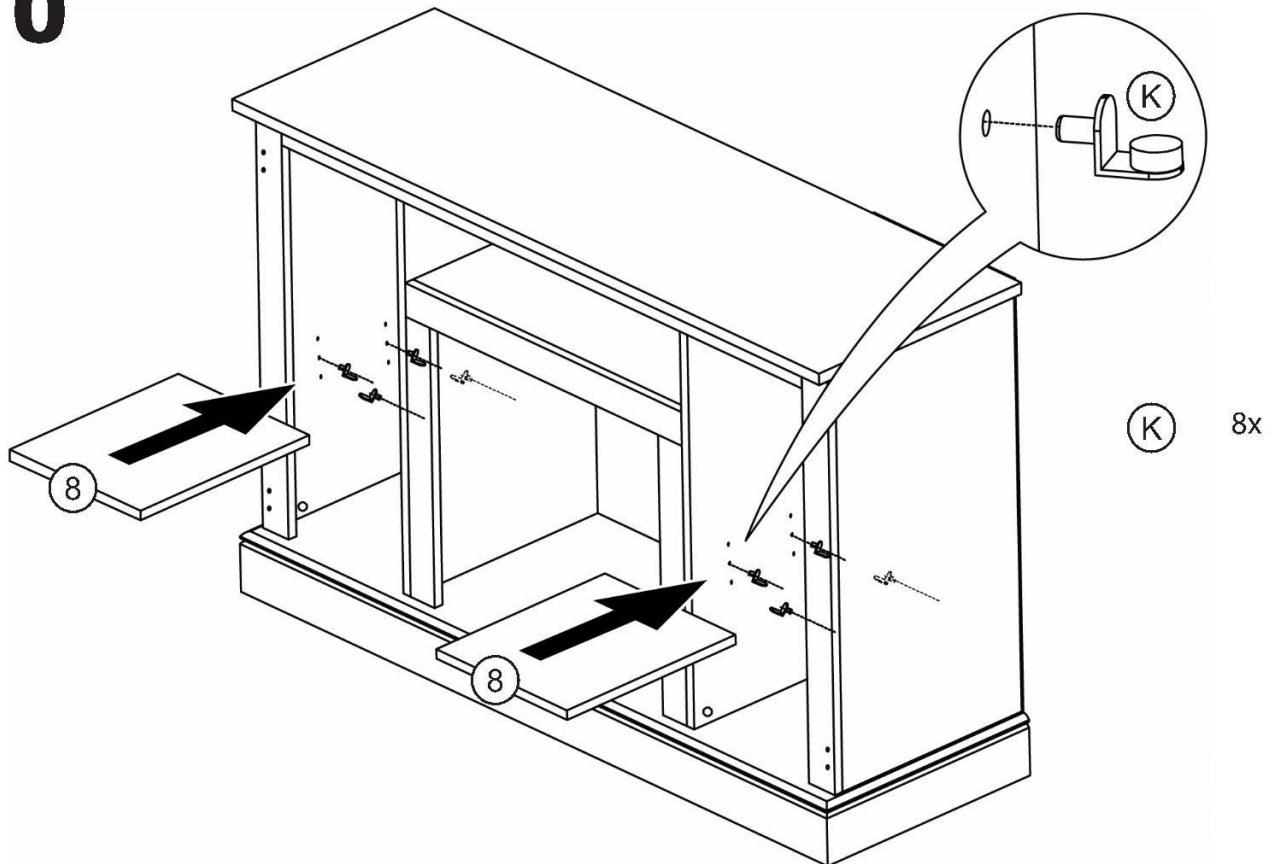
8



9



10



11

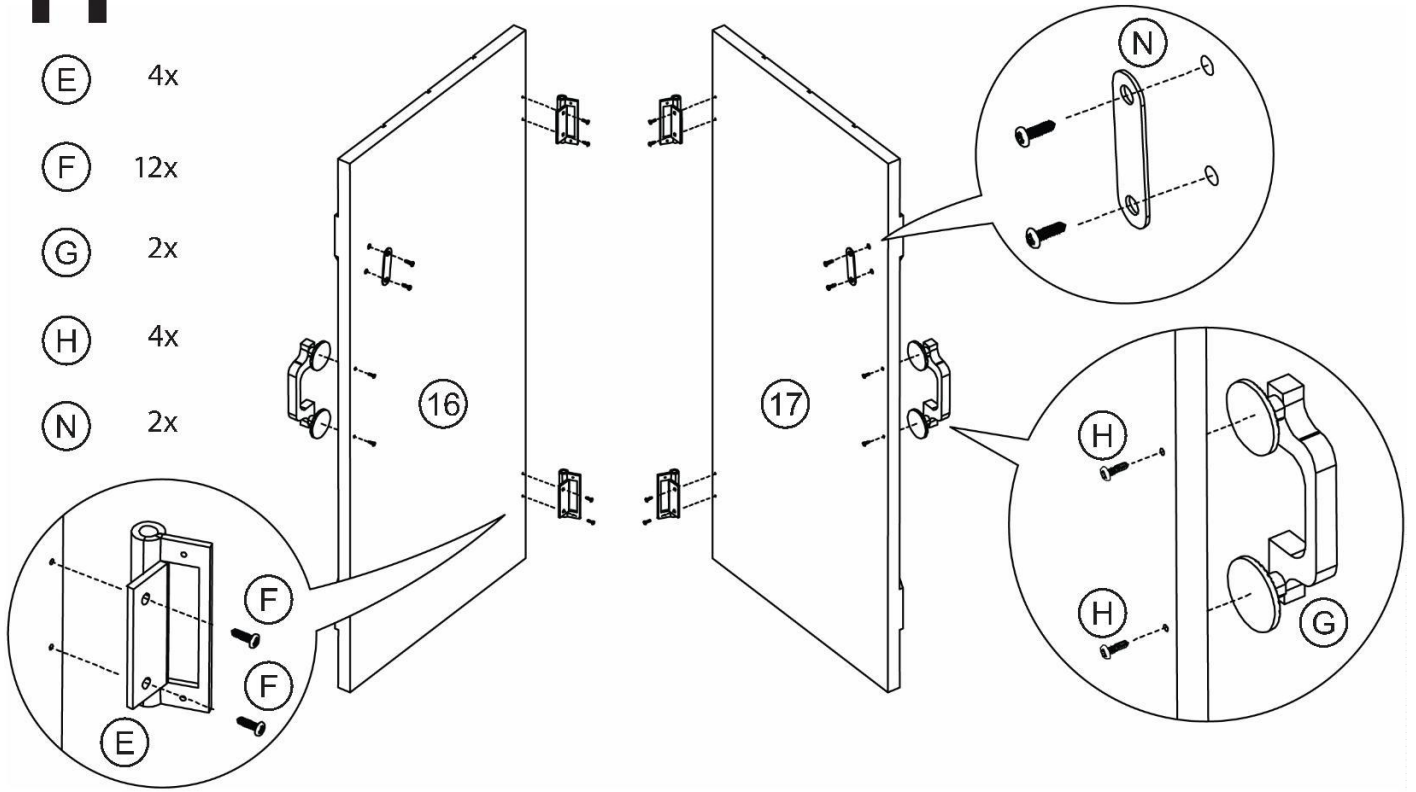
(E) 4x

(F) 12x

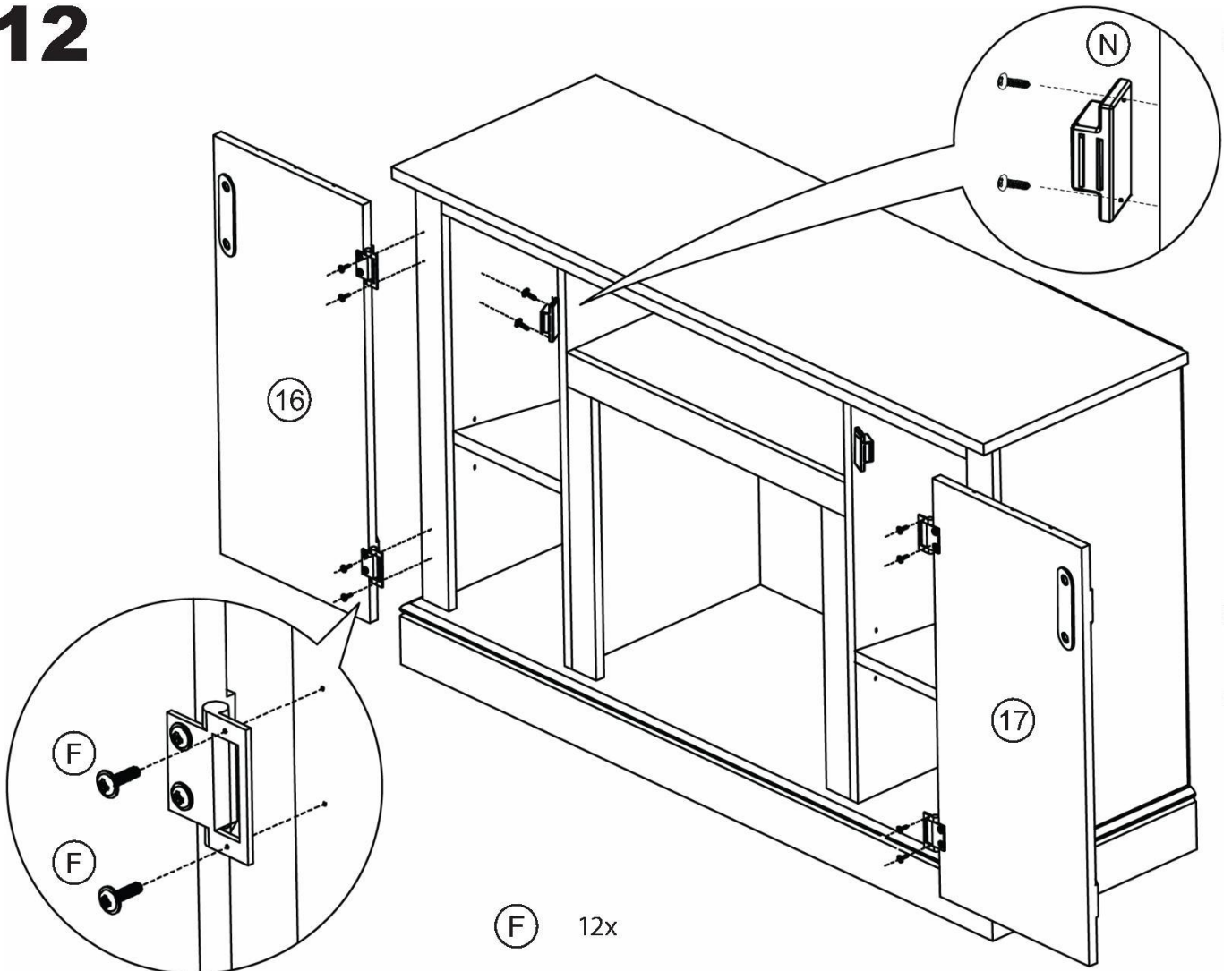
(G) 2x

(H) 4x

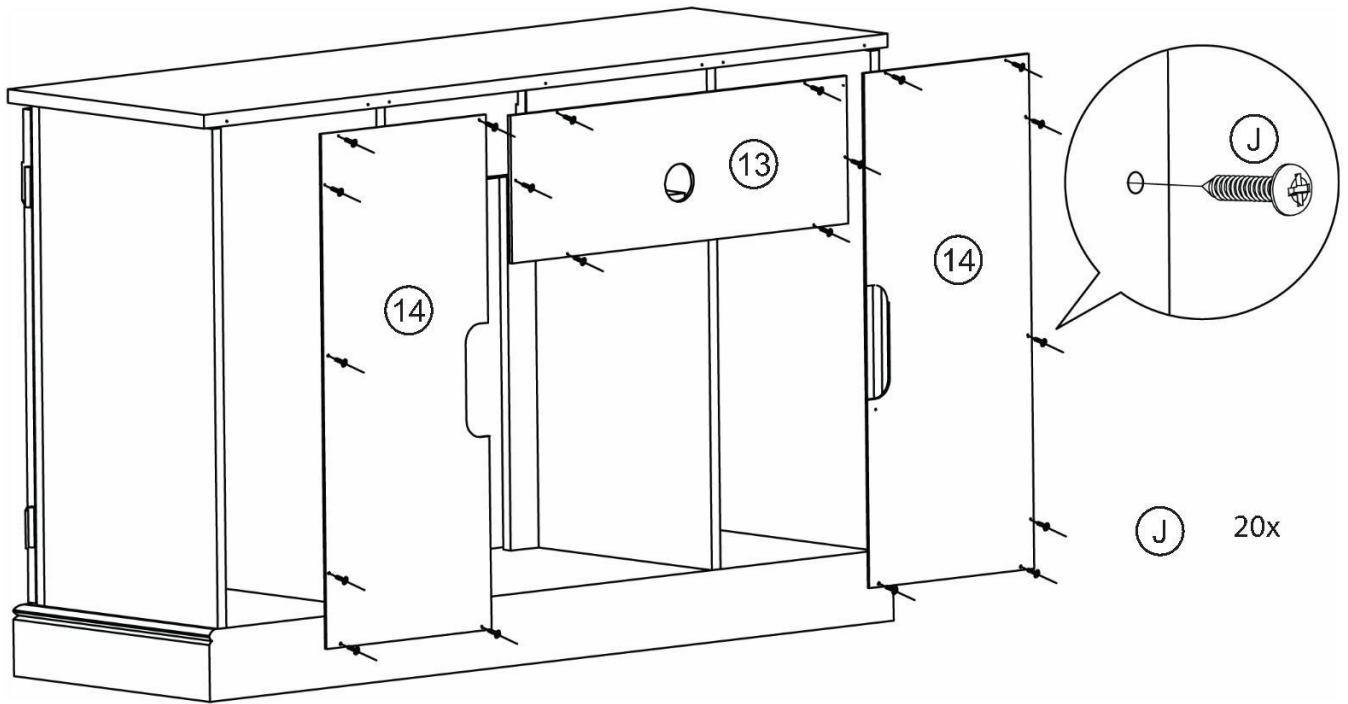
(N) 2x



12

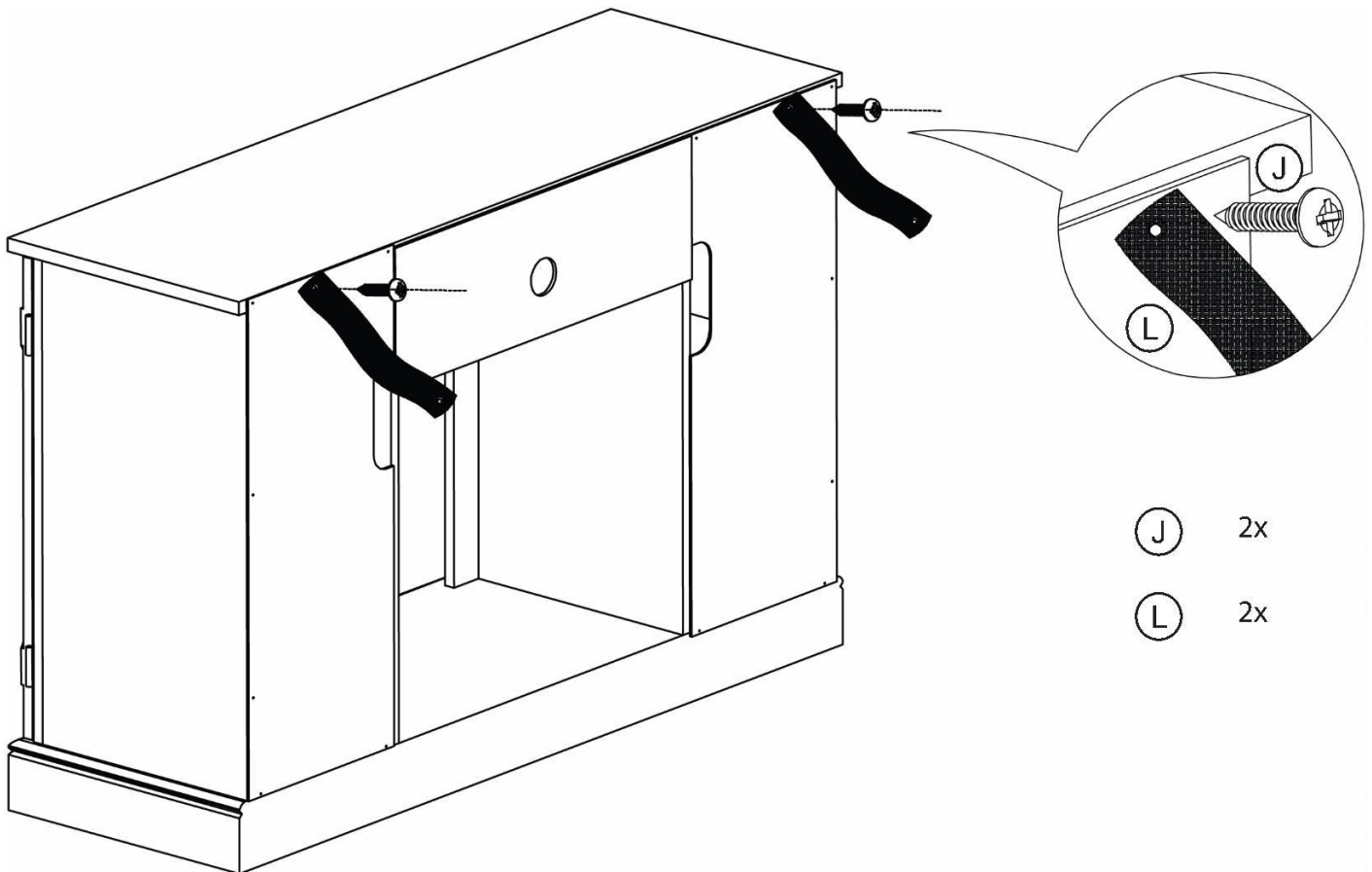


13



ⓐ 20x

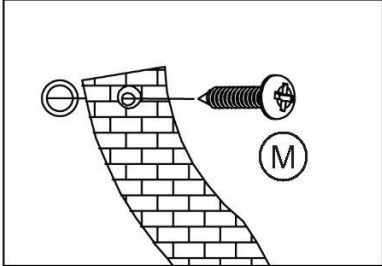
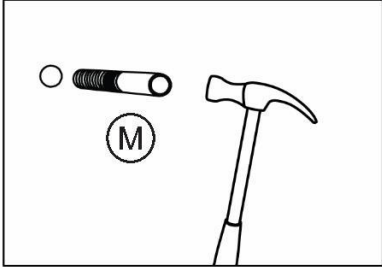
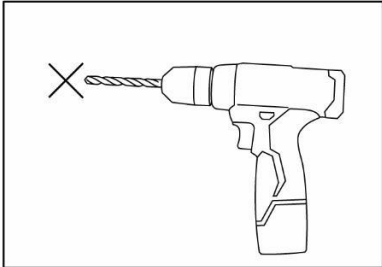
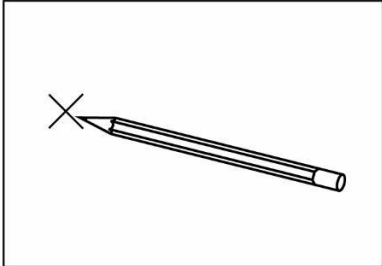
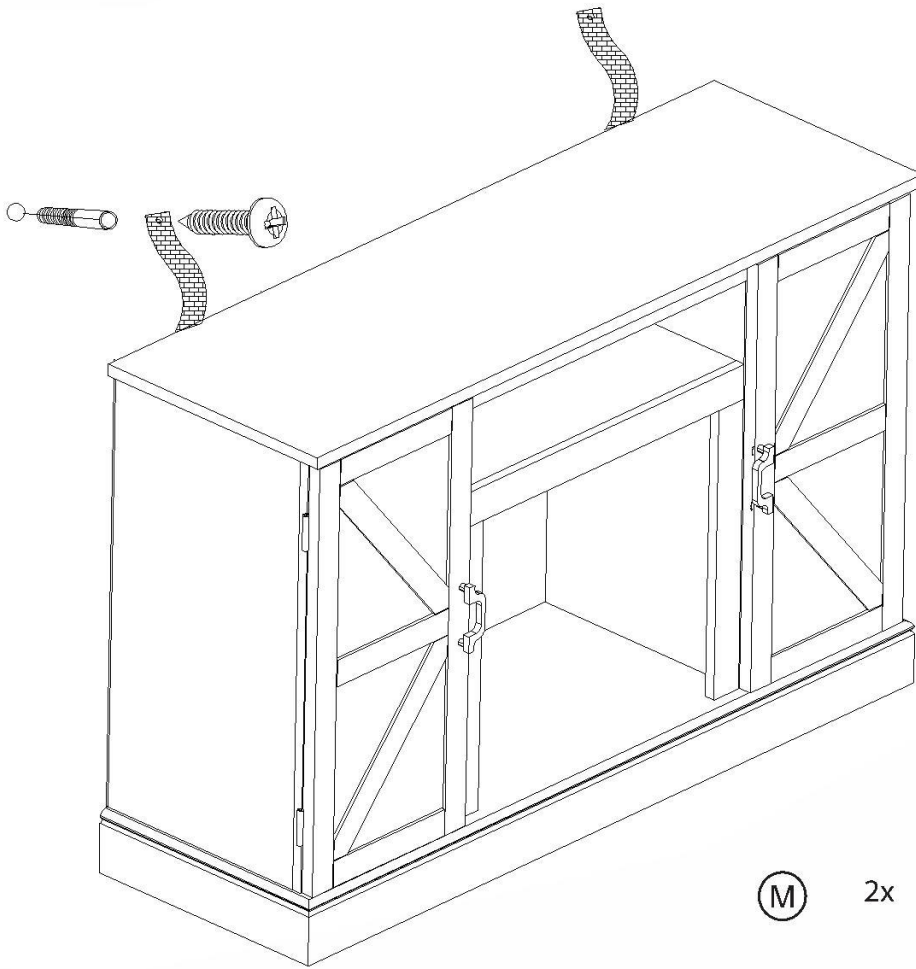
14



ⓐ 2x

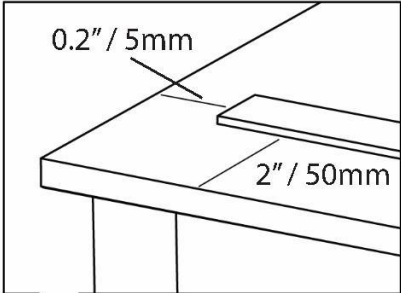
Ⓛ 2x

15

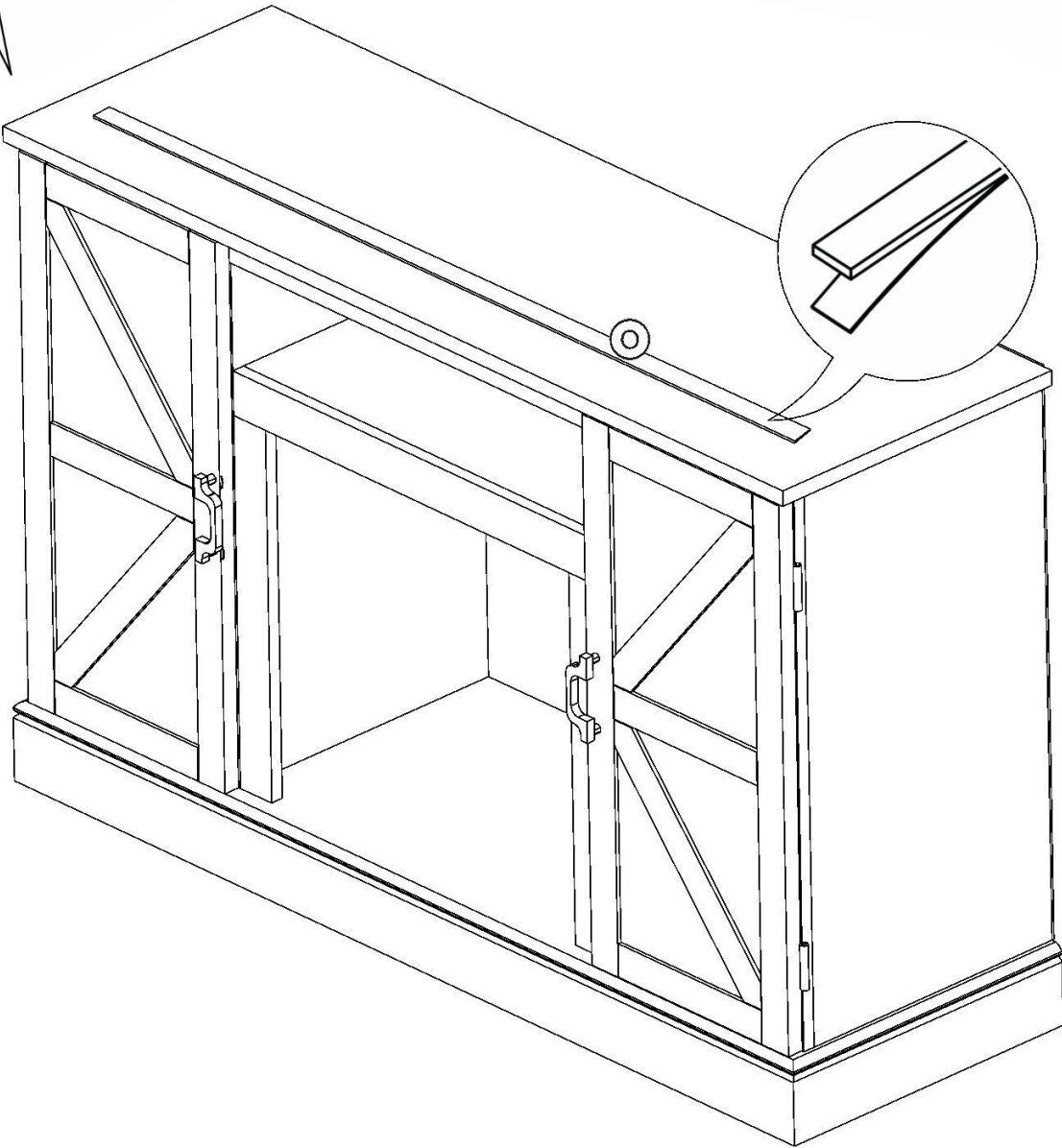


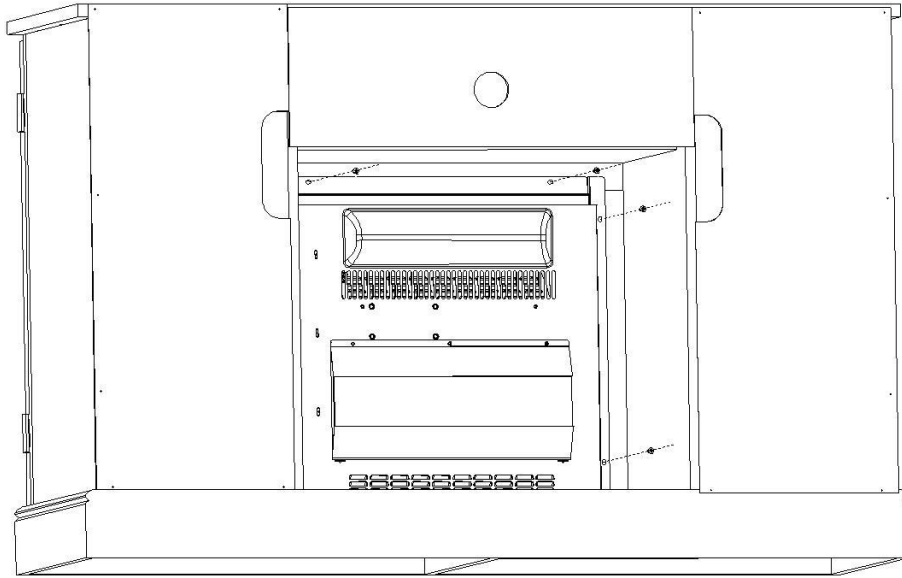
16

OPTIONAL ASSEMBLY



⊙ 1x





FIREPLACE INSTALLATION

If you decide to install the fireplace into the mantel, carefully set the unit from the back of the mantel and center it in the opening.

Check the alignment and attach the unit to the mantel by inserting screws through the drilled holes on the trim to the mantel.

NOTE: Do not attempt to install the unit from the front of the mantel. It will not fit.