

47" TV Stand w/ Fireplace

Item: FP-230502

Assembly Instructions

NOTE: This instruction manual contains **IMPORTANT** safety information. Please read carefully before assembling the product



Estimated Time for Assembly

60 mins

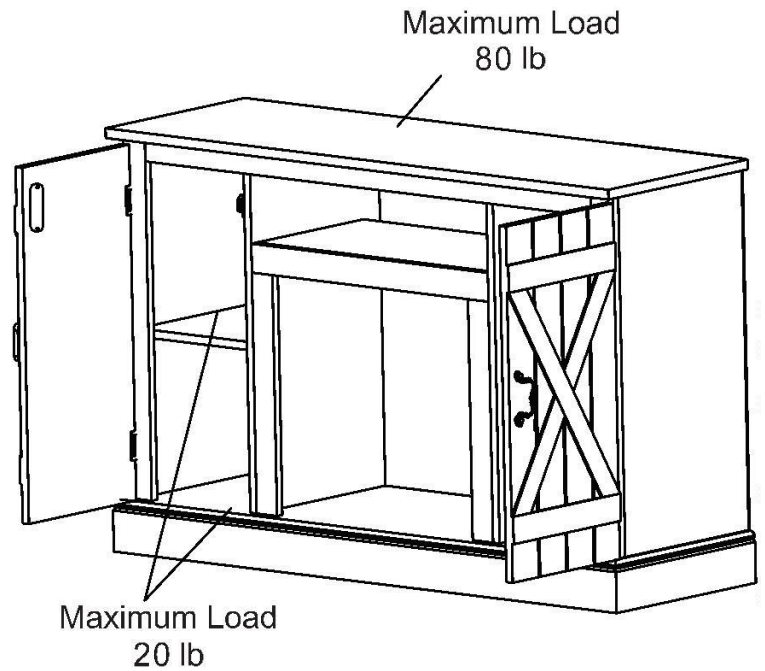


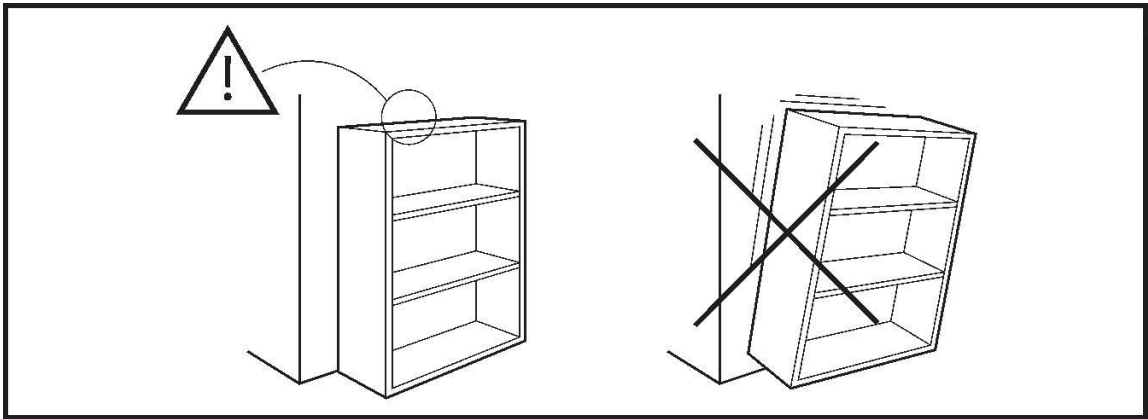
Weight Limitation

20 lb Shelf

80 lb Top

Tools Needed (Not included)

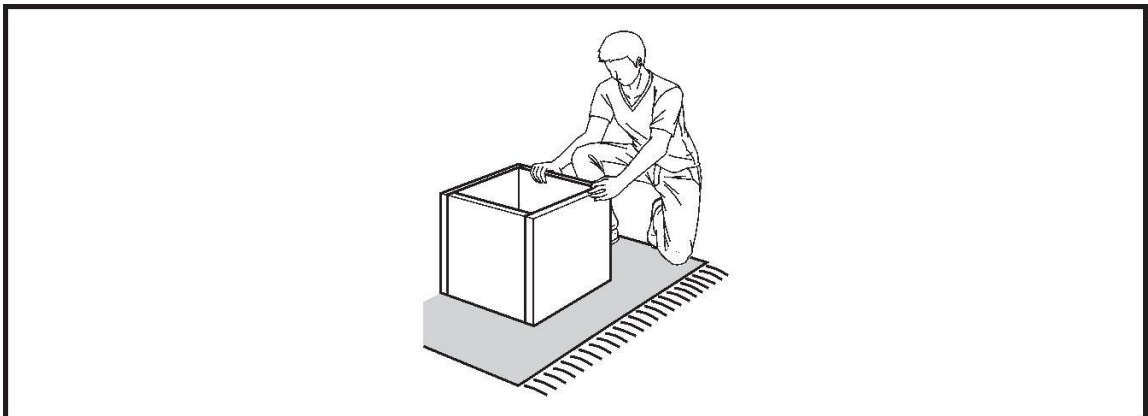




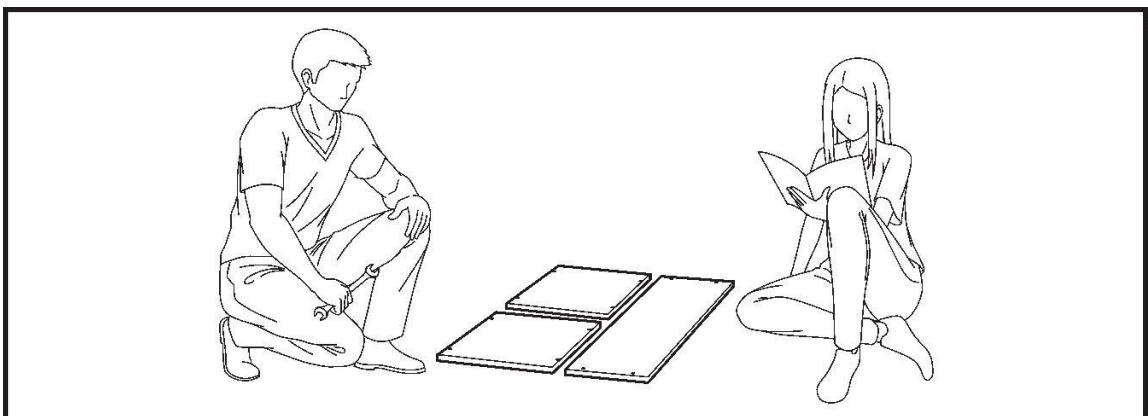
Warning

Serious or fatal crushing injuries may occur if the furniture tip-over. Furniture must permanently fixed to the wall with included anti-tipping device to prevent the furniture from tipping over.

Different wall materials requires different types of fixing device, Use suitable fixing device to secure the stability and load bearing capacity of the furniture. If you are uncertain about which type of fixing device to use, please contact your local hardware store.



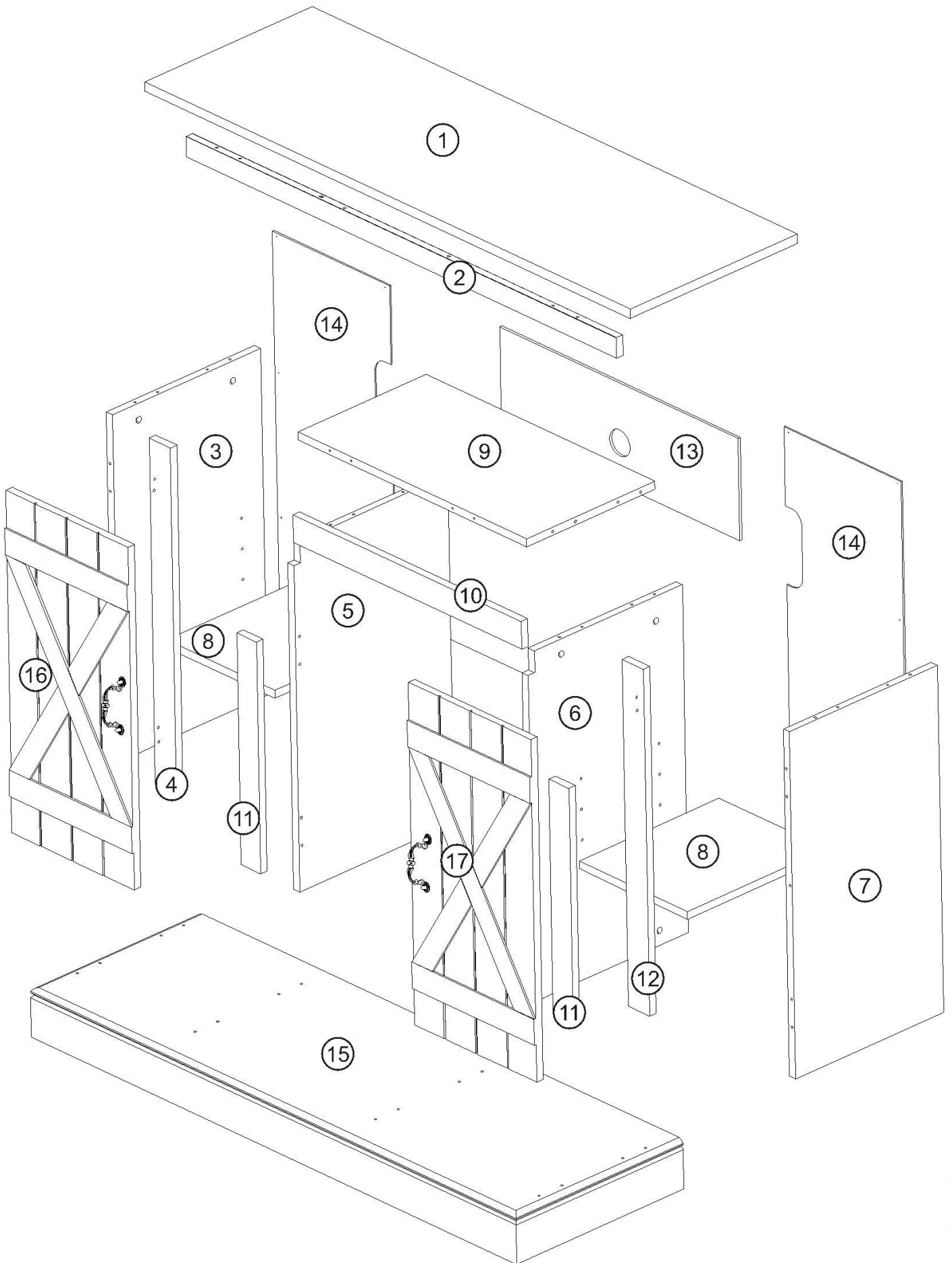
Assemble the furniture on empty carton, carpet, or rug to prevent scratches or damage.



This furniture requires 2 people to assembly.

Make sure no parts are missing or damaged before assembly.

PACKAGE CONTENT



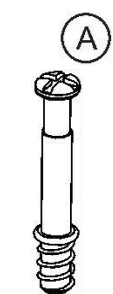
PACKAGE CONTENT

CODE	DESCRIPTION	QTY
1	Countertop Board	1
2	Lintel	1
13	Upper Back Panel	1
14	Lower Back Panel	2
15	Base Plate	1

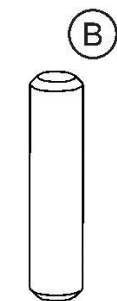
PACKAGE CONTENT

CODE	DESCRIPTION	QTY
3	Left Side Plate	1
4	Left Side Bar	1
5	Left Middle	1
6	Right Middle	1
7	Right Side Plate	1
8	Storage Board	2
9	Laminates	1
10	Center Bar	1
11	Lower Back Panel	2
12	Right Side Bar	1
16	Cabinet Door	1
17	Cabinet Door	1

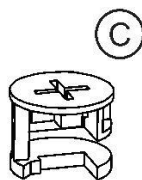
PACKAGE CONTENT



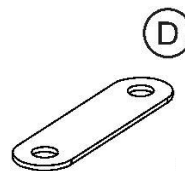
36x + 1



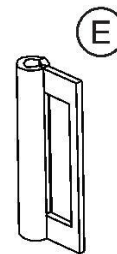
34x + 1



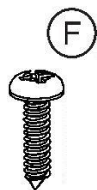
36x + 1



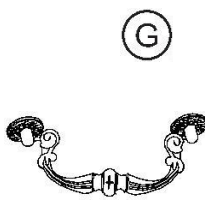
2x



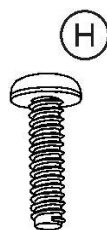
4x



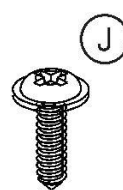
30x



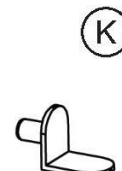
2x



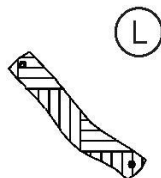
4x



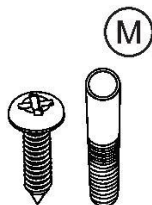
20x + 1



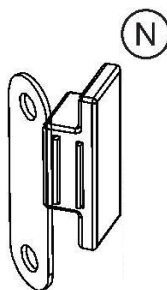
8x



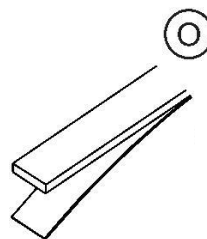
2x



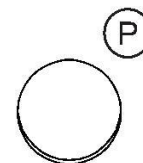
2x



2x

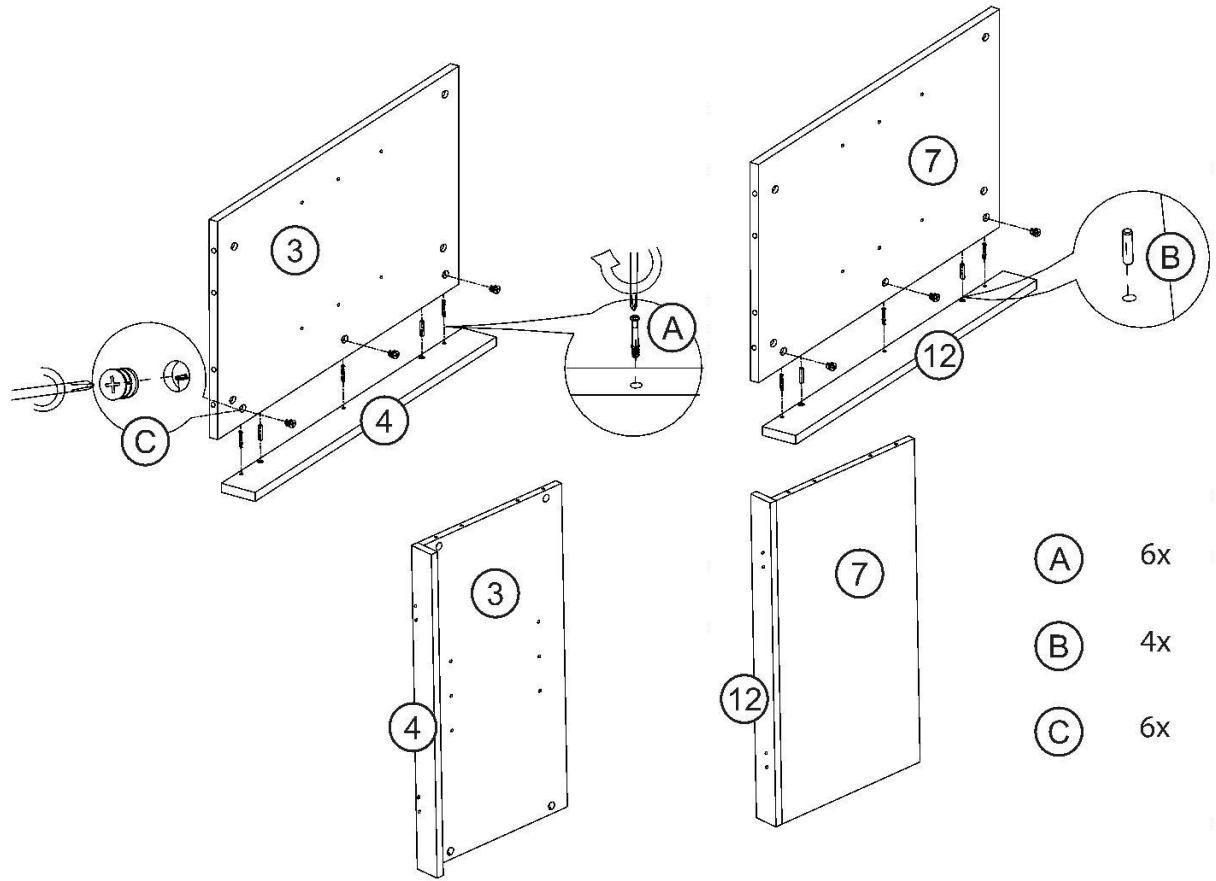


1x

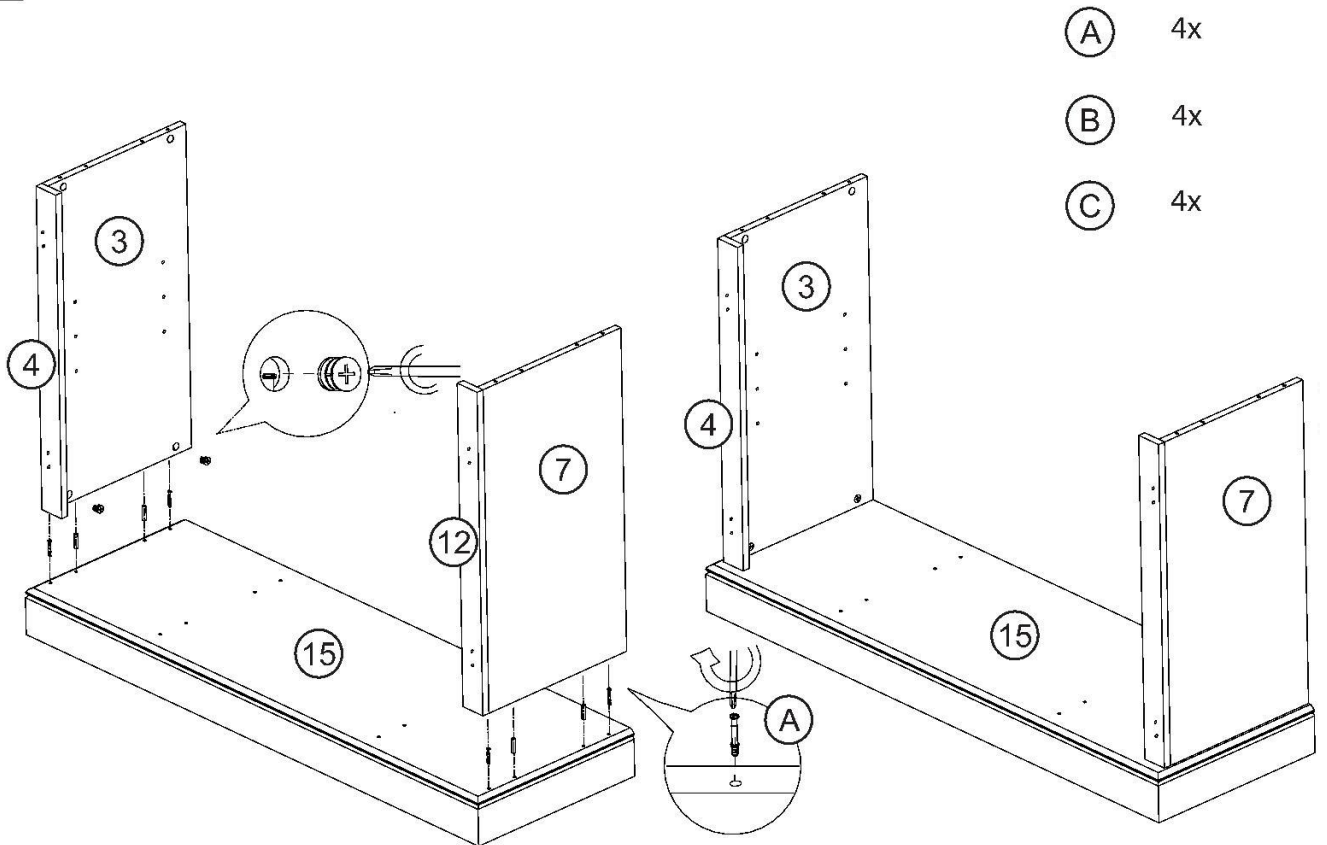


36x

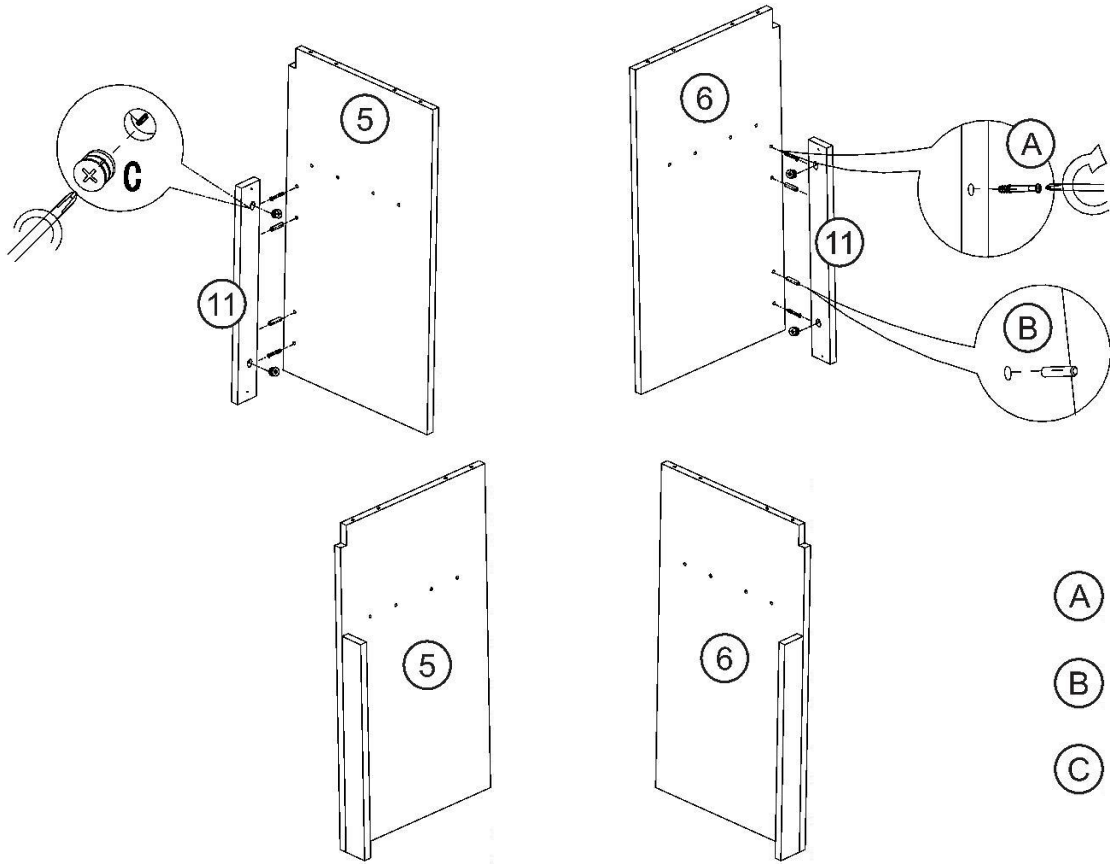
1



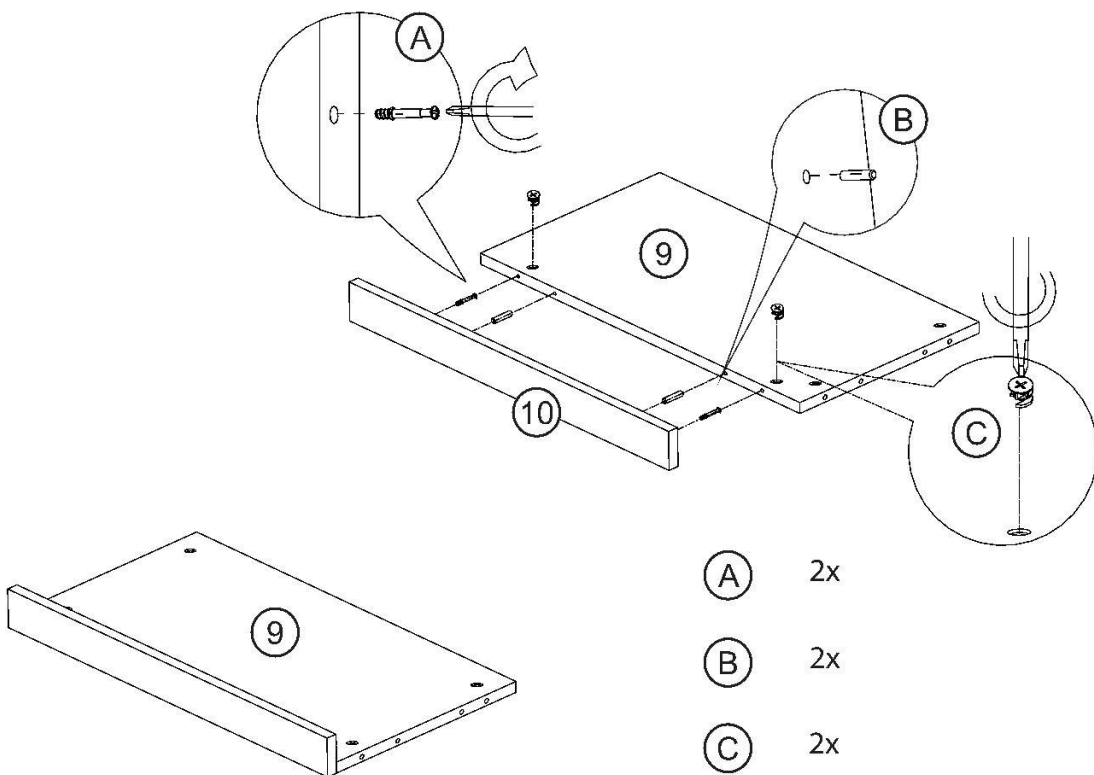
2



3



4

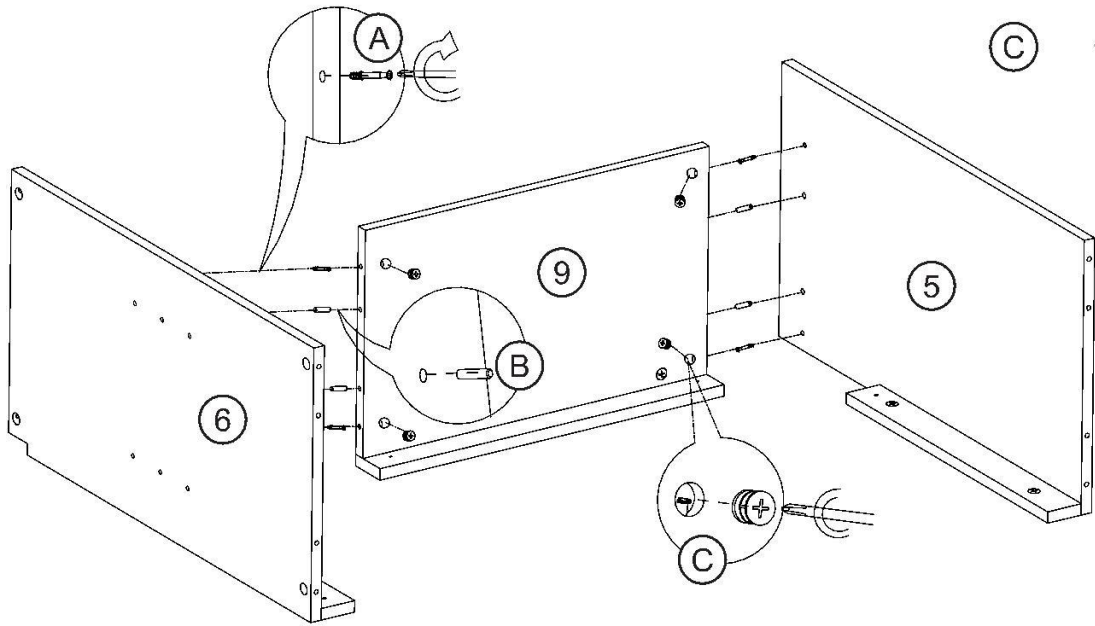


5

Ⓐ 4x

Ⓑ 4x

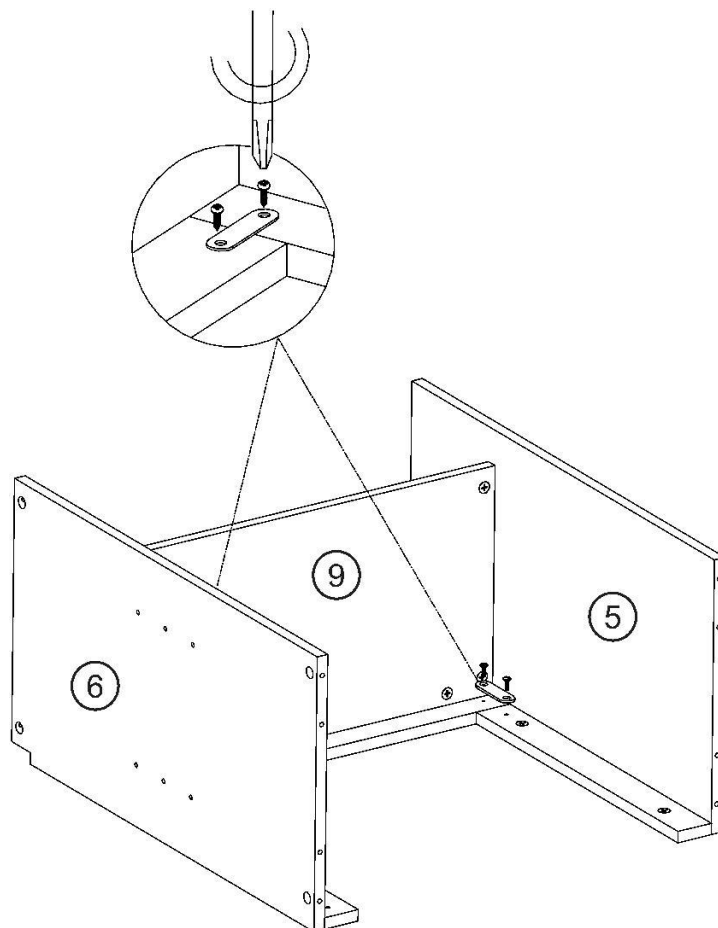
Ⓒ 4x



6

Ⓓ 2x

Ⓕ 4x

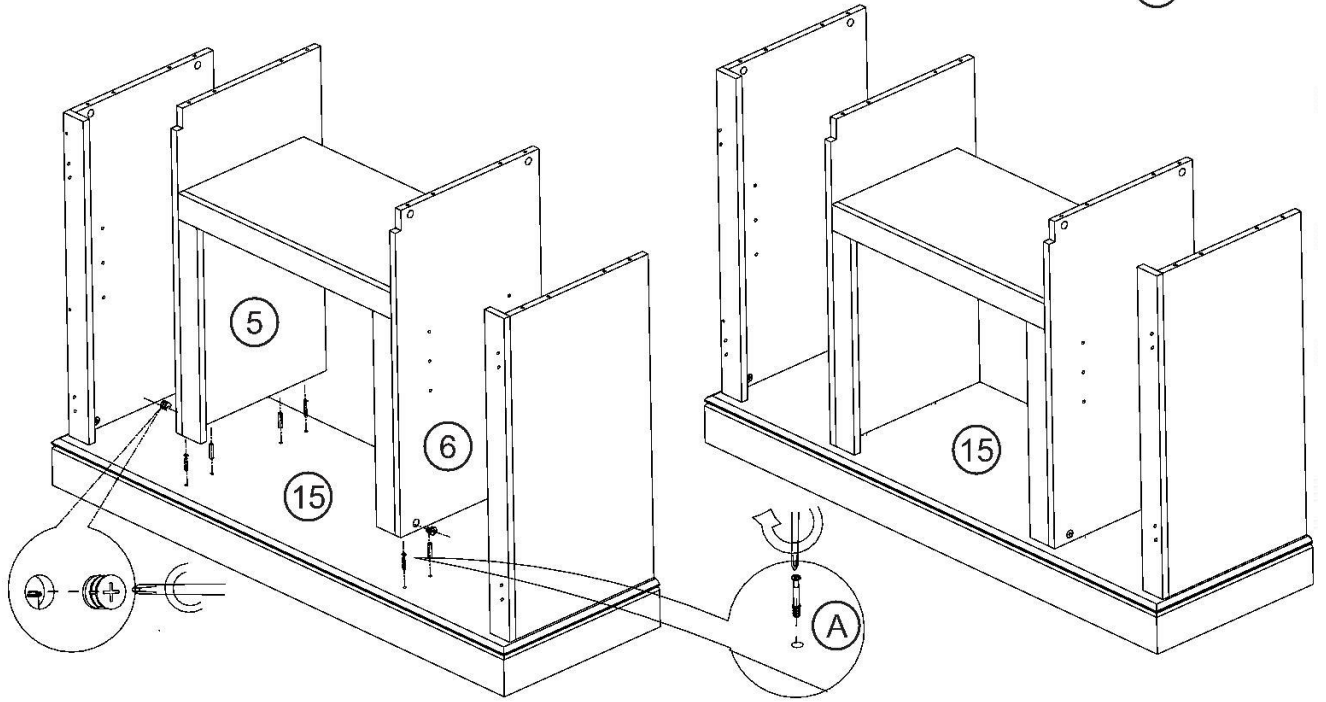


7

(A) 4x

(B) 4x

(C) 4x

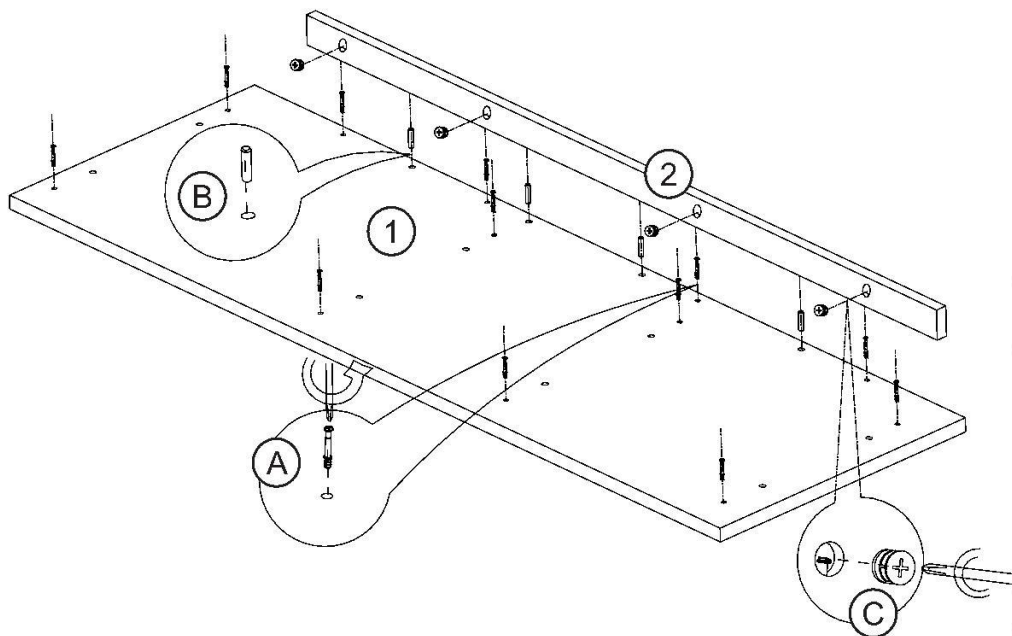


8

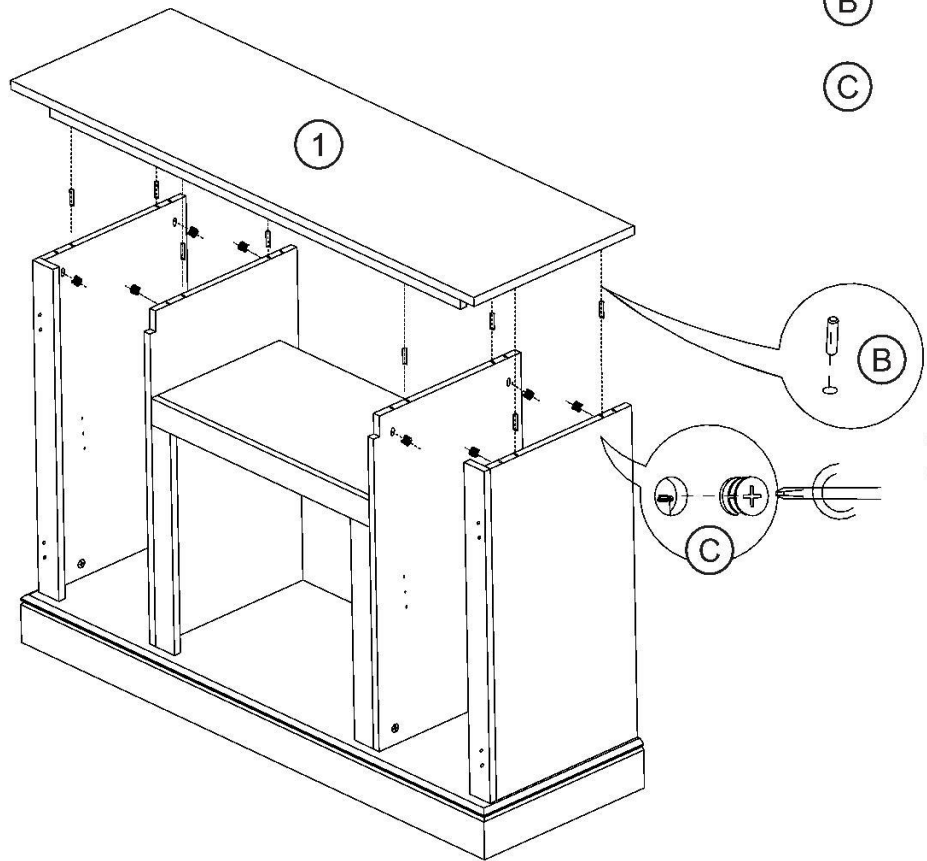
(A) 12x

(B) 4x

(C) 4x



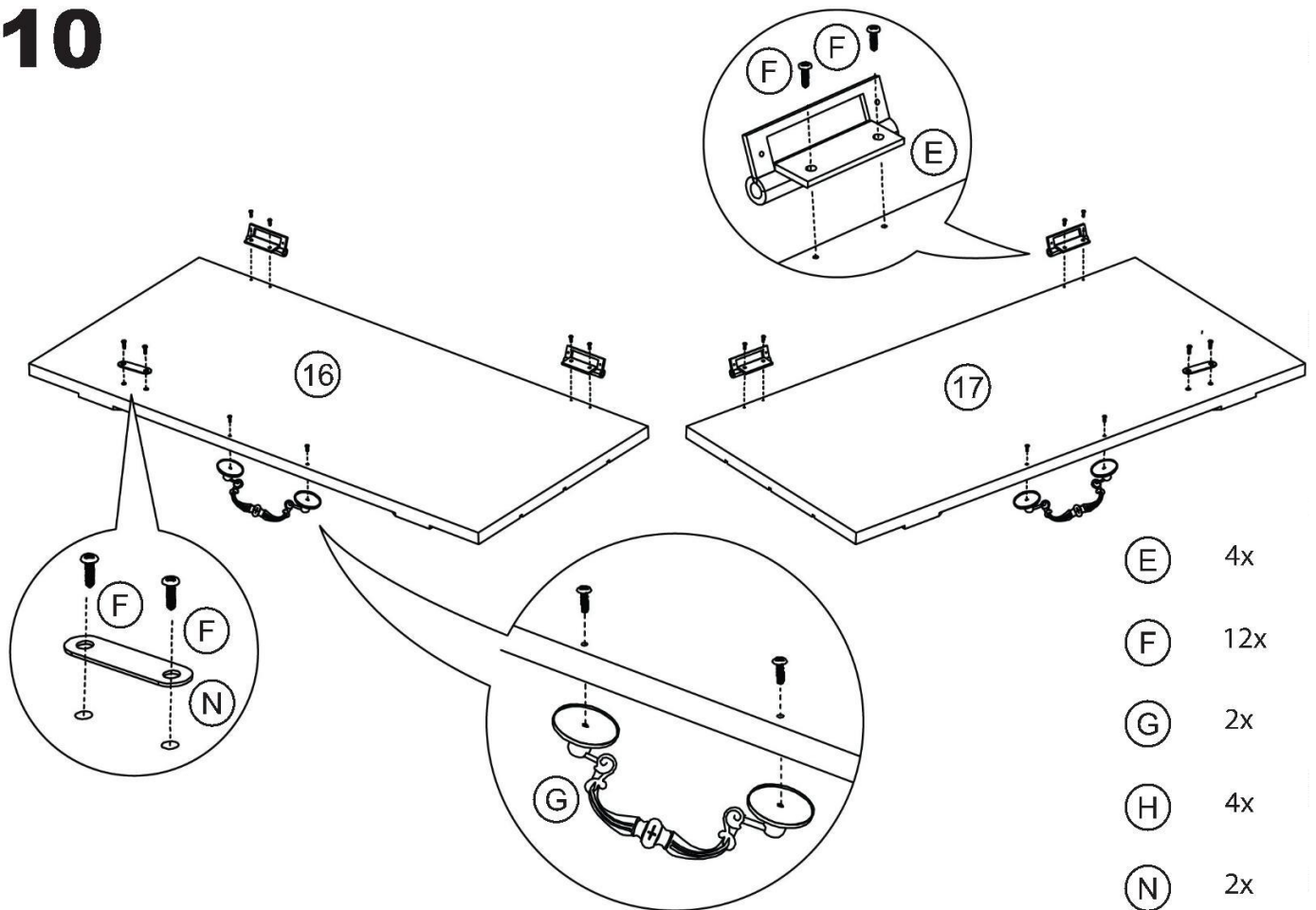
9



(B) 8x

(C) 8x

10



(E) 4x

(F) 12x

(G) 2x

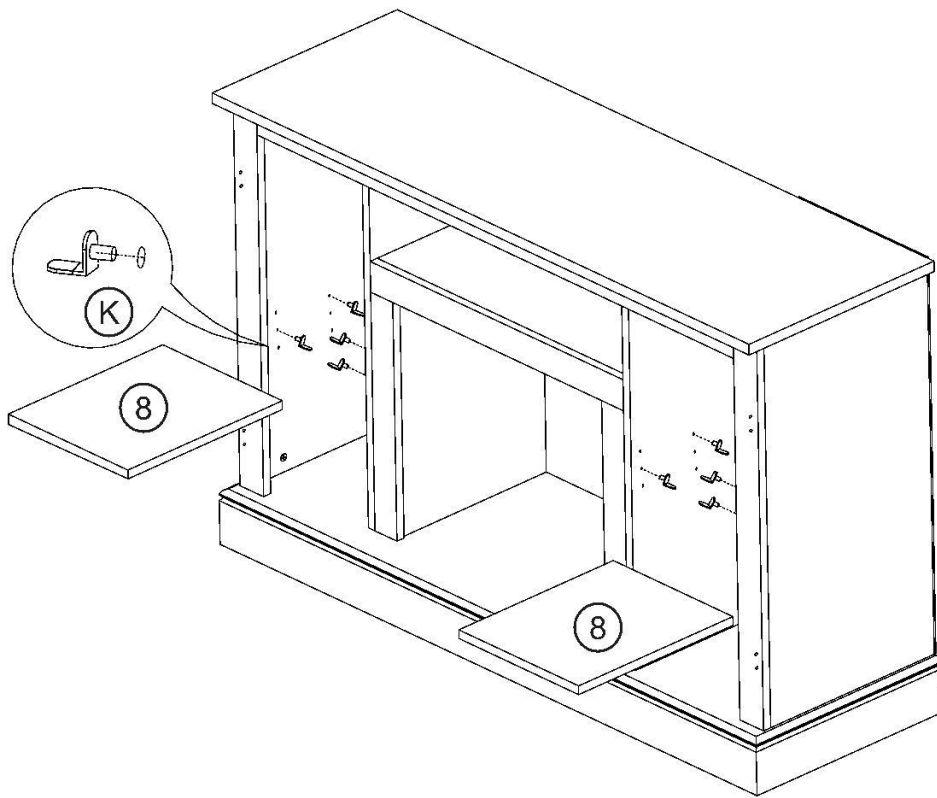
(H) 4x

(N) 2x

FIREPLACE MANTEL ASSEMBLY

11

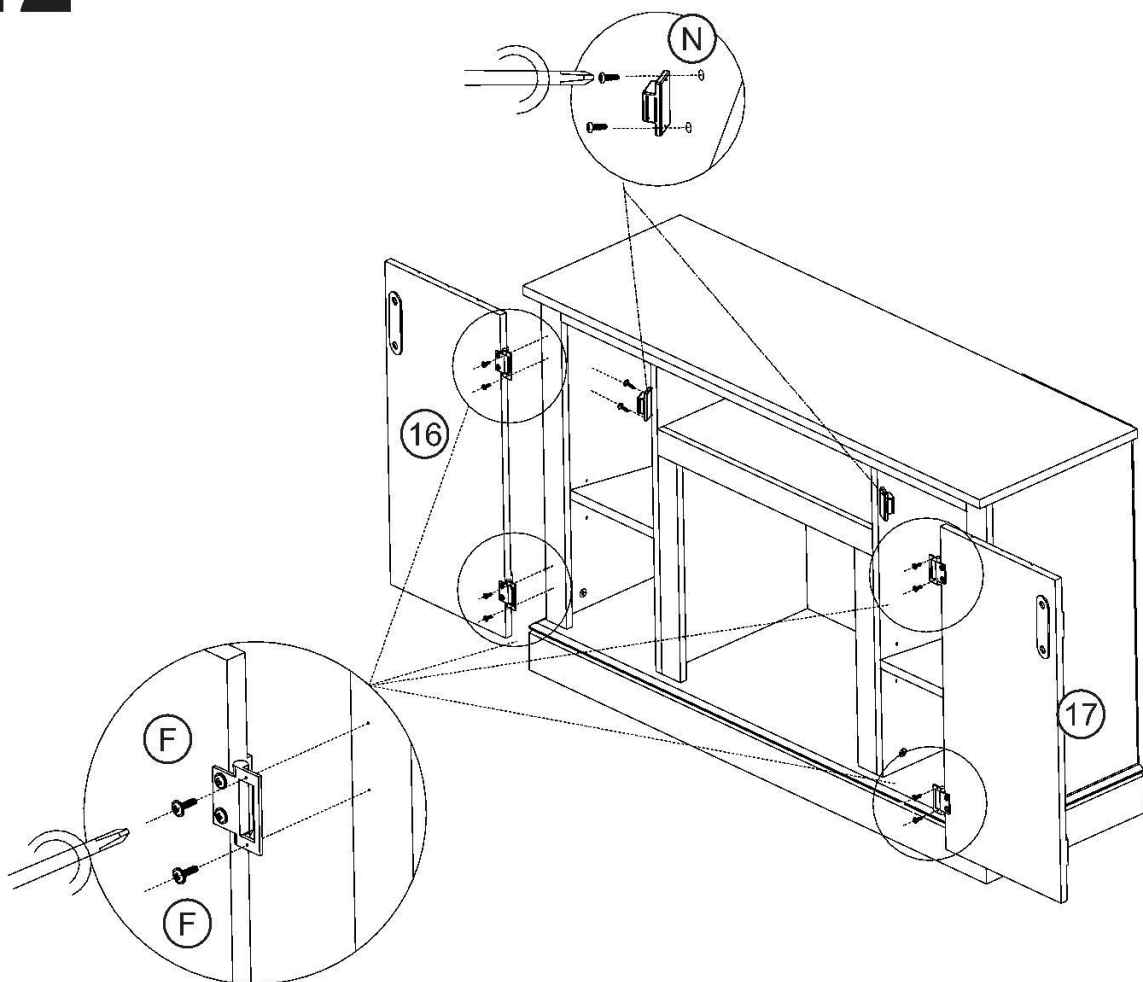
(K) 8x



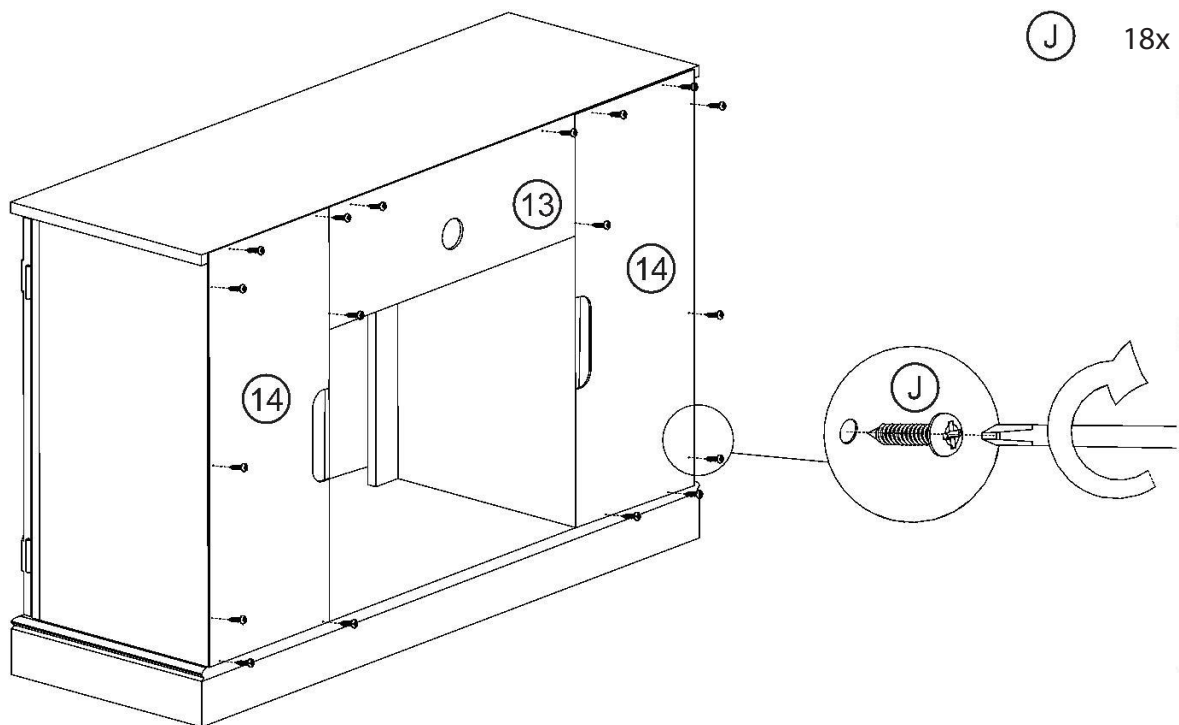
12

(F) 12x

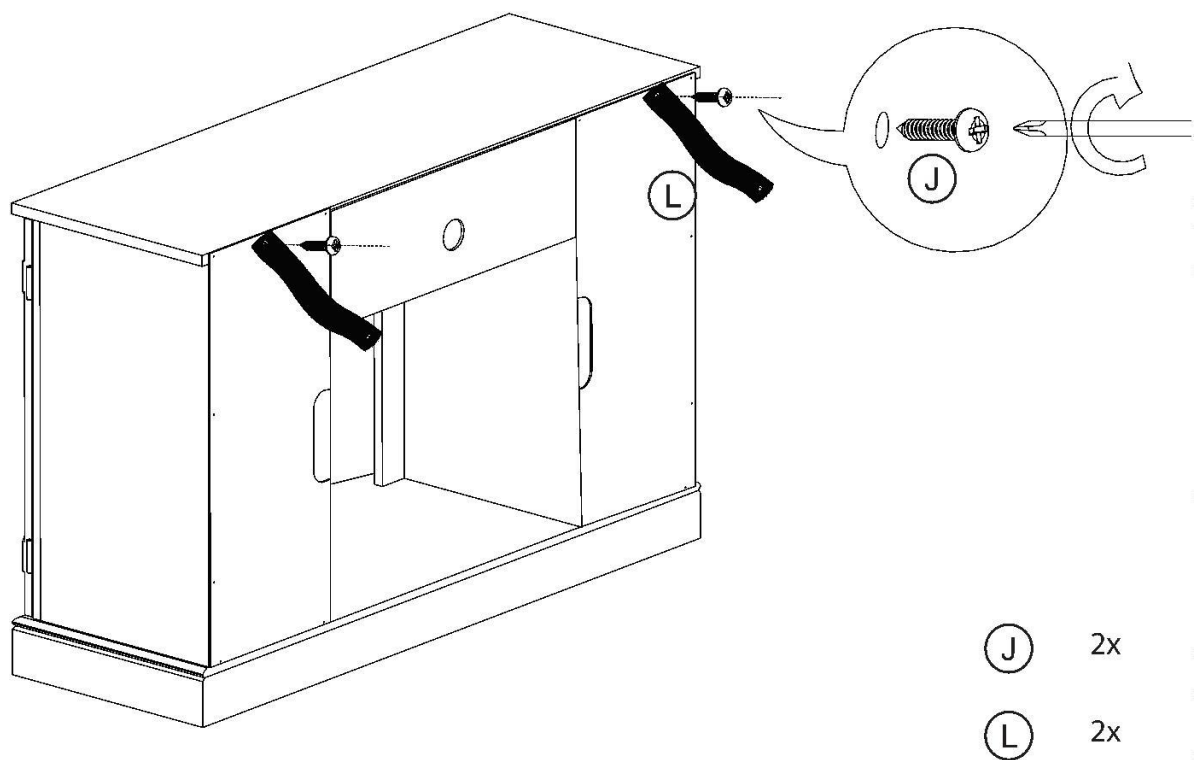
(N) 2x



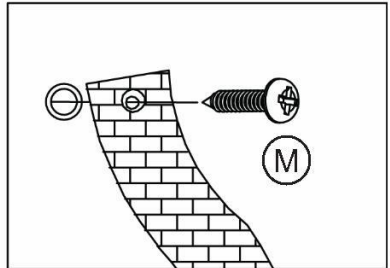
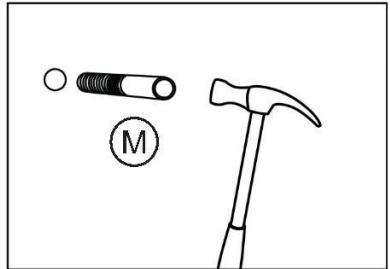
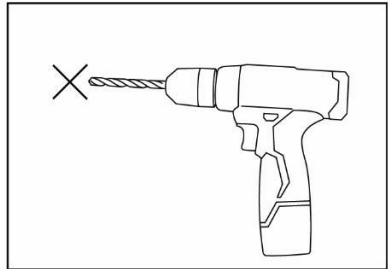
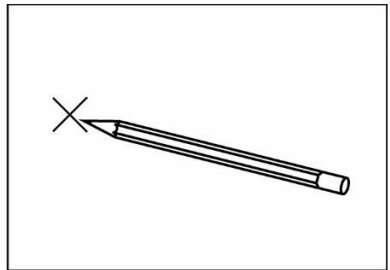
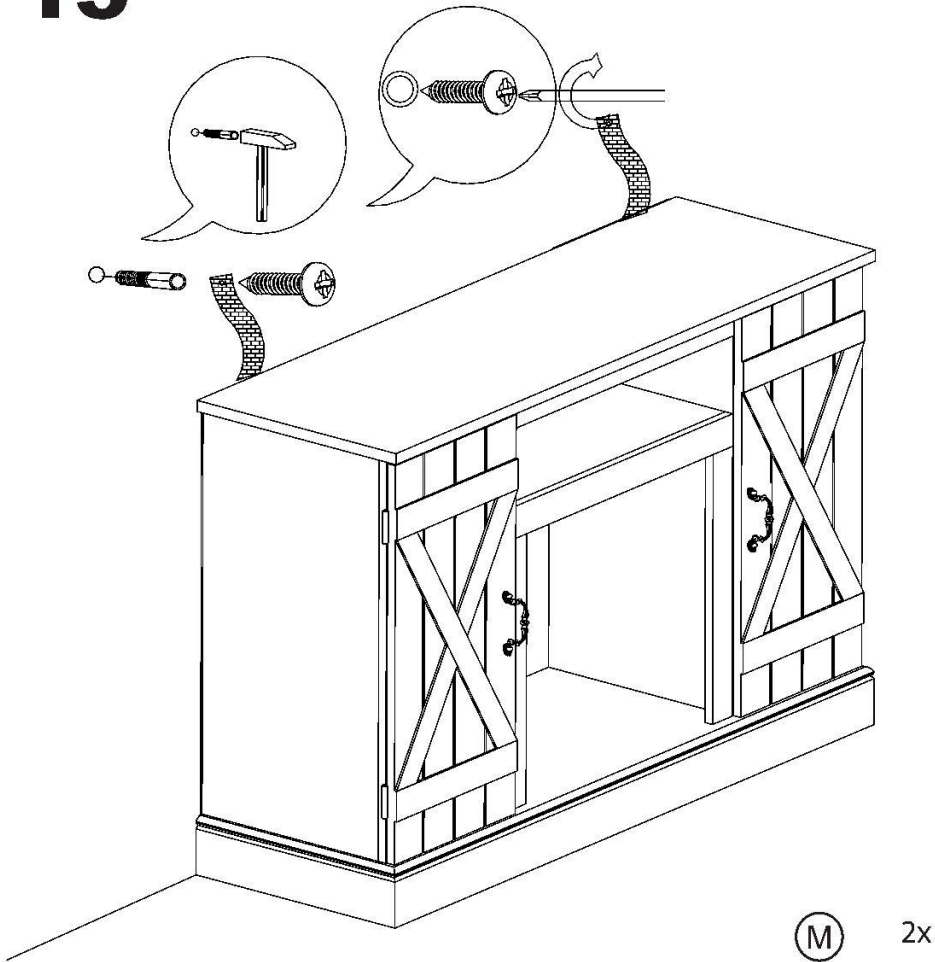
13



14



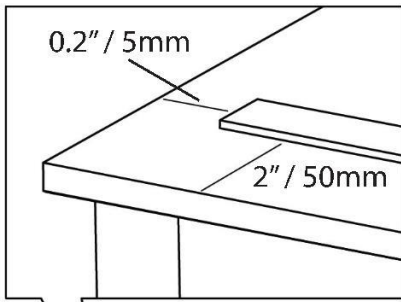
15



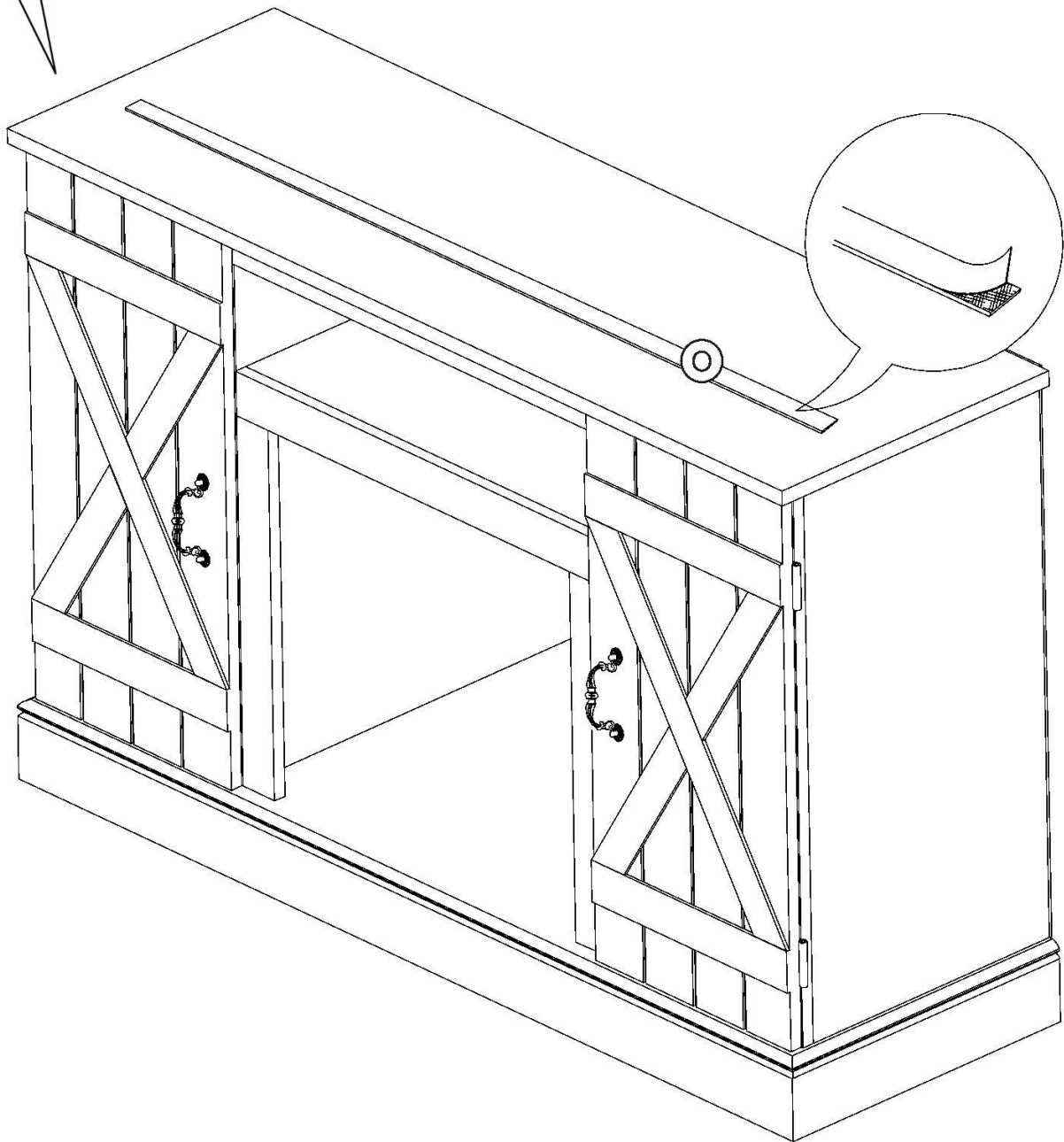
Furniture must permanently fixed to the wall stud with included anti-tipping device to prevent the furniture from tipping over.

- Mark the drill position on the wall with a pencil.
- Drill a small hole on the marked position.
- Insert a wall anchor into the drilled hole.
- Fixed the anti tipping strap to the wall with provided screws.

16

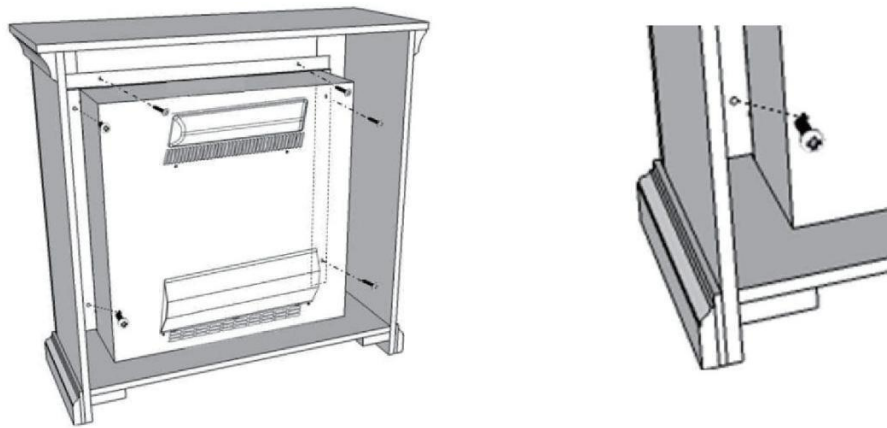


⊙ 1x



NOTE: put the TV behind to the wood trim to prevent fall off.

FINISH!



FIREPLACE INSTALLATION

If you decide to install the fireplace into the mantel, carefully set the unit from the back of the mantel and center it in the opening.

Check the alignment and attach the unit to the mantel by inserting screws through the drilled holes on the trim to the mantel.

NOTE: Do not attempt to install the unit from the front of the mantel. It will not fit.

FURNITURE CARE AND MAINTENANCE

Medium - Density Fiberboard

Thank you for your purchase. We want your item to last as long as possible. To ensure the product gives you years of service, please refer to this care and maintenance guide.



MAINTENANCE

- Tighten all bolts and screws again within the first 2 weeks of assembly.
- Check the tightness of all bolts every 2 months, tighten them if necessary.



CLEANING

- Clean the surface of the MDF (medium - density fiberboard) with a lightly dampened cloth.
- Small amount of mild soap can be used if necessary.
- Dry the surface immediately after cleaning.

- ⚠ DO NOT use bleach or alcohol detergent to clean the surface.
- ⚠ DO NOT apply wood treatment on parts made with MDF.

Medium - density fiberboard will swell and distort when suffer from water damage. Make sure to dry the furniture immediately after cleaning.

⚠ WARNING

Manufacturer and seller expressly disclaim any and all liability for personal injury, property damage or loss, whether direct, indirect, or incidental, resulting from the incorrect attachment, improper use, inadequate maintenance, unapproved modification, or neglect of this product.

Warranty

Belleze products come with a 1 year warranty from the date of purchase.

In any event that the product arrives damaged or missing parts,
we are more than happy to provide you with replacement part(s).

Register your product on our website to enjoy extended warranty!!

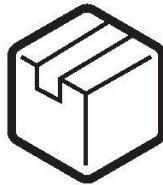


Easy Return

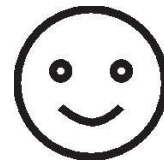
We work hard to make sure order arrives safe and secure, but rest assured we will take care of it if it is not up to standard. If you need replacement parts, Contact us at **1-800-682-6376** or email us at **support@bellezefurniture.com** we will send you replacements with no hassle.



Contact Us



Replacement



You

You don't have to worry about re-packaging / schedule pick-up.

We hope you enjoy your new Belleze furniture!
Share your photos on Instagram and tag us @bellezefurniture.

FOLLOW US:



@bellezefurniture

CONTACT INFO:

support@bellezefurniture.com
1-800-682-6376

BELLEZE[®]
ELEGANTLY MODERN AT HOME