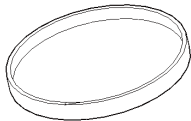

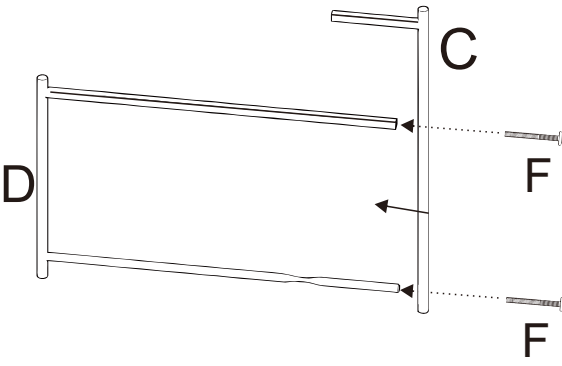


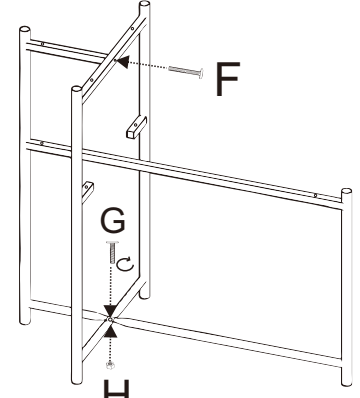










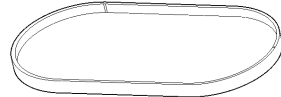

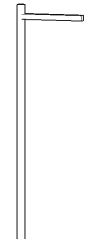

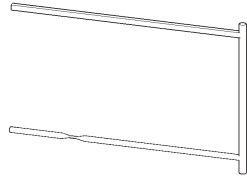

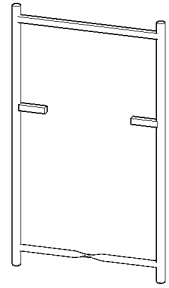
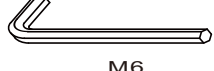
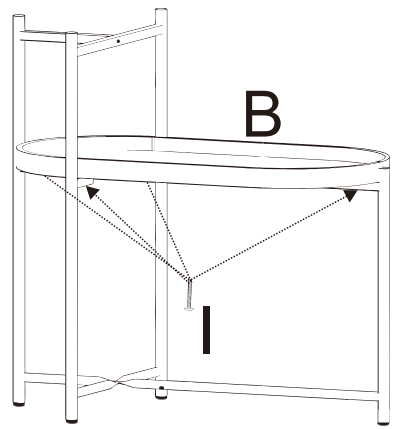


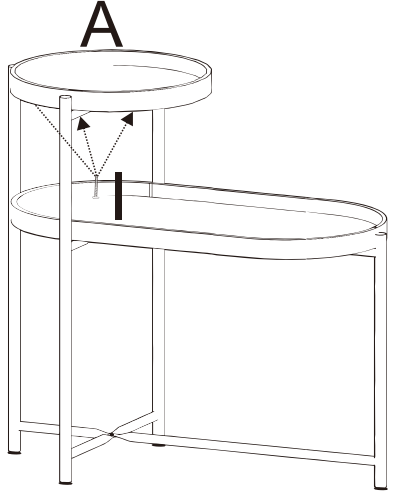


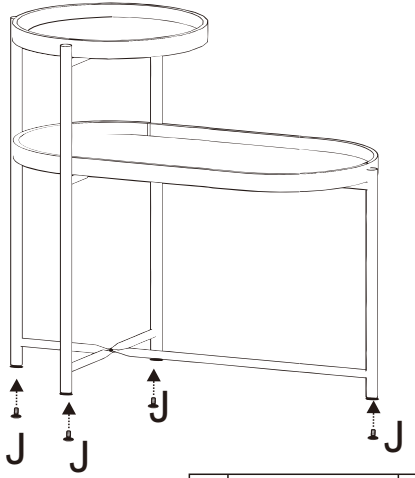







ASSEMBLY INSTRUCTION

A		x 1	F	 M6X30mm	x 3	<div style="background-color: #cccccc; padding: 5px; text-align: center; font-weight: bold; font-size: 2em;">1</div>  <div style="display: flex; justify-content: flex-end; align-items: center; margin-top: 10px;"> <table border="1" style="border-collapse: collapse;"> <tr> <td style="padding: 2px 5px;">F</td> <td style="padding: 2px 5px;"></td> <td style="padding: 2px 5px;">2</td> </tr> </table> </div>	F		2	<div style="background-color: #cccccc; padding: 5px; text-align: center; font-weight: bold; font-size: 2em;">2</div>  <div style="display: flex; justify-content: flex-end; align-items: center; margin-top: 10px;"> <table border="1" style="border-collapse: collapse;"> <tr> <td style="padding: 2px 5px;">F</td> <td style="padding: 2px 5px;"></td> <td style="padding: 2px 5px;">1</td> </tr> <tr> <td style="padding: 2px 5px;">G</td> <td style="padding: 2px 5px;"></td> <td style="padding: 2px 5px;">1</td> </tr> <tr> <td style="padding: 2px 5px;">H</td> <td style="padding: 2px 5px;"></td> <td style="padding: 2px 5px;">1</td> </tr> </table> </div>	F		1	G		1	H		1
F		2																	
F		1																	
G		1																	
H		1																	
B		x 1	H	 M6	x 1														
C		x 1	I	 M6X25mm	x 7														
D		x 1	J	 M6X15mm	x 4														
E		x 1	K	 M6	x 1														
<div style="background-color: #cccccc; padding: 5px; text-align: center; font-weight: bold; font-size: 2em;">3</div>  <div style="display: flex; justify-content: flex-end; align-items: center; margin-top: 10px;"> <table border="1" style="border-collapse: collapse;"> <tr> <td style="padding: 2px 5px;">I</td> <td style="padding: 2px 5px;"></td> <td style="padding: 2px 5px;">4</td> </tr> </table> </div>			I		4	<div style="background-color: #cccccc; padding: 5px; text-align: center; font-weight: bold; font-size: 2em;">4</div>  <div style="display: flex; justify-content: flex-end; align-items: center; margin-top: 10px;"> <table border="1" style="border-collapse: collapse;"> <tr> <td style="padding: 2px 5px;">I</td> <td style="padding: 2px 5px;"></td> <td style="padding: 2px 5px;">3</td> </tr> </table> </div>			I		3	<div style="background-color: #cccccc; padding: 5px; text-align: center; font-weight: bold; font-size: 2em;">5</div>  <div style="display: flex; justify-content: flex-end; align-items: center; margin-top: 10px;"> <table border="1" style="border-collapse: collapse;"> <tr> <td style="padding: 2px 5px;">J</td> <td style="padding: 2px 5px;"></td> <td style="padding: 2px 5px;">4</td> </tr> </table> </div>			J		4		
I		4																	
I		3																	
J		4																	