
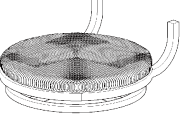
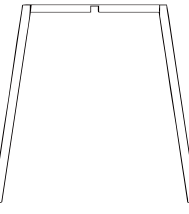
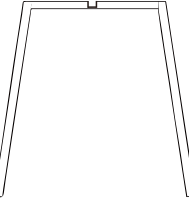
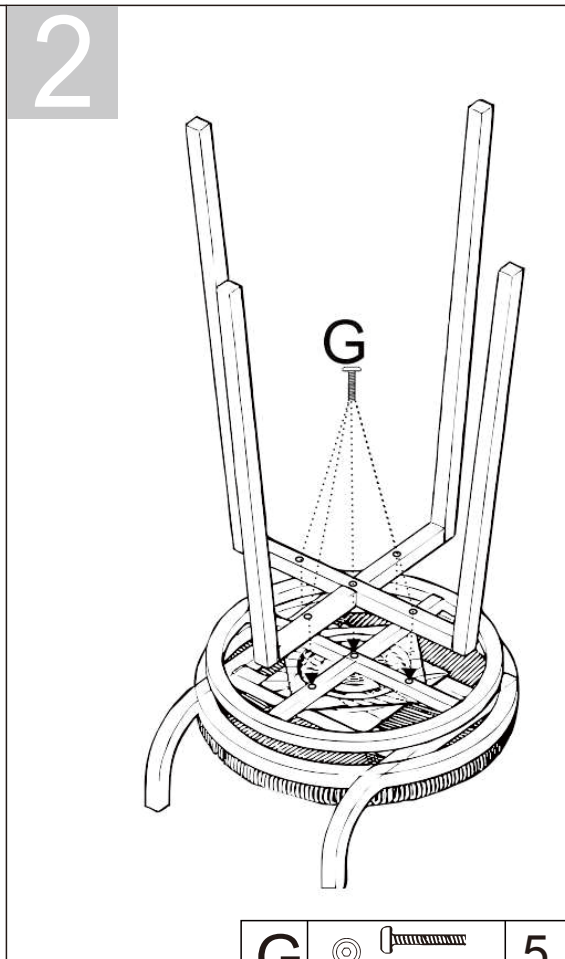
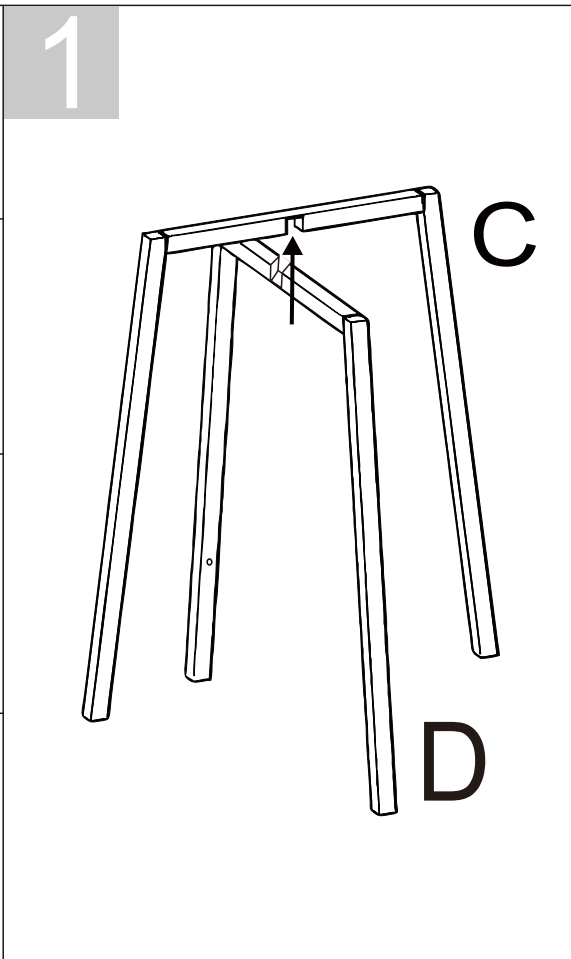

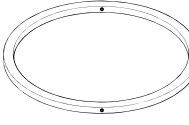










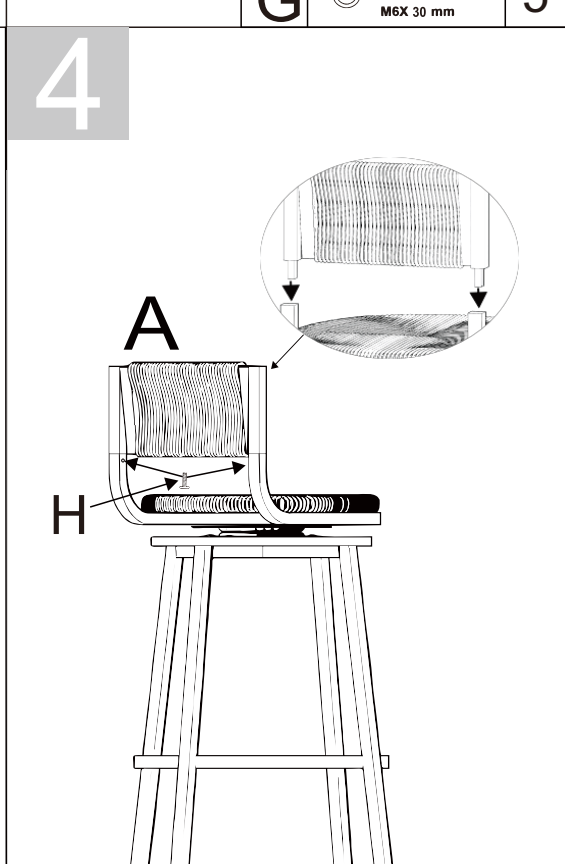
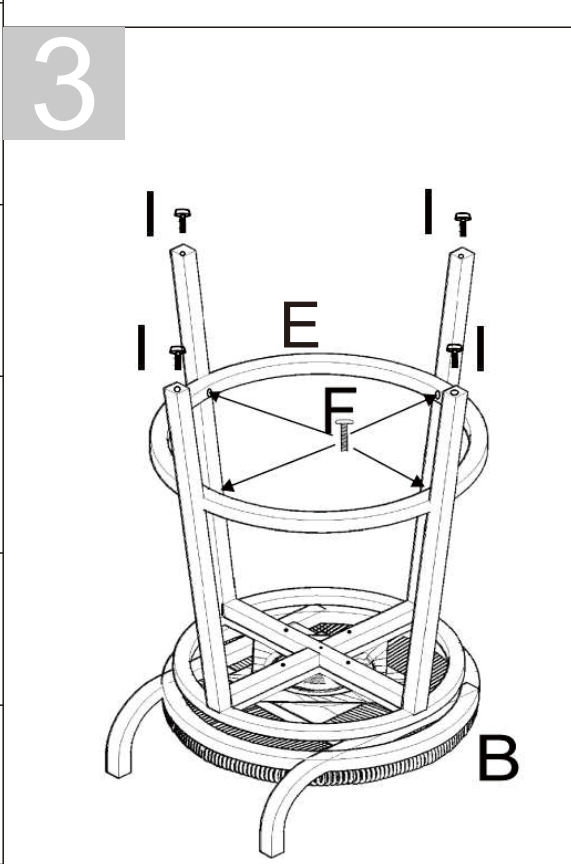
ASSEMBLY INSTRUCTION




A		X1
B		X1
C		X1
D		X1




G		M6X 30 mm	5
---	---------------------------------------------------------------------------------------	-----------	---

E		X1	
F	 	M6X 35 mm	X4
G	 	M6X 30 mm	X5
H	 	M6X 16 mm	X2
I	 	M6X 18 mm	X4



F		M6X 35mm	4
I	 	M6X 18mm	4

H		M6X 16 mm	2
---	---------------------------------------------------------------------------------------	-----------	---

J		M6	X1
---	-------------------------------------------------------------------------------------	----	----