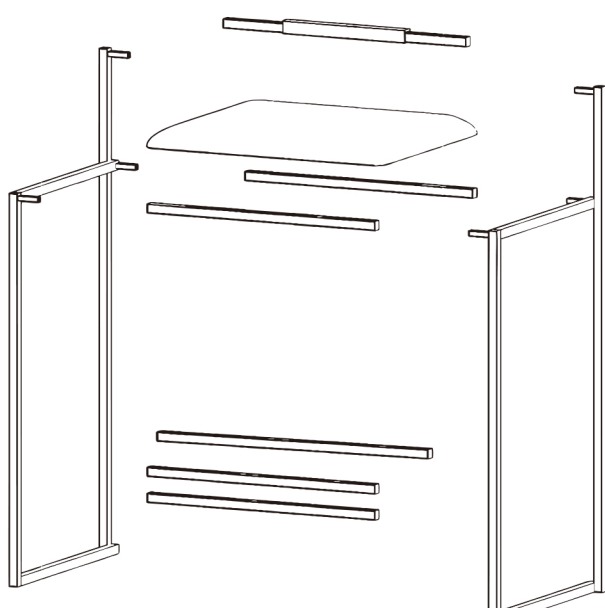
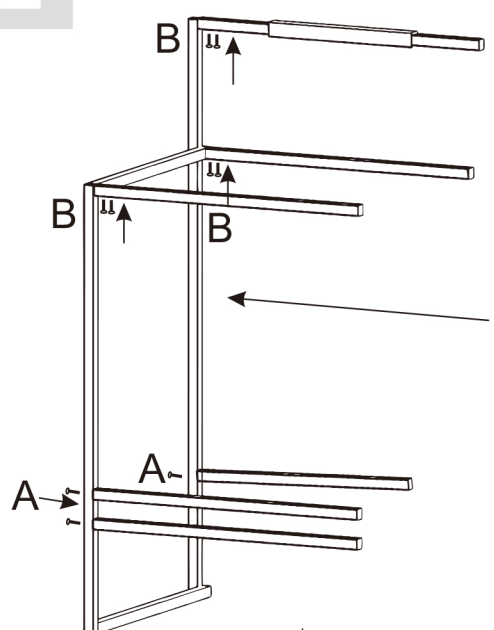


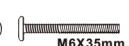

ASSEMBLY INSTRUCTION

1

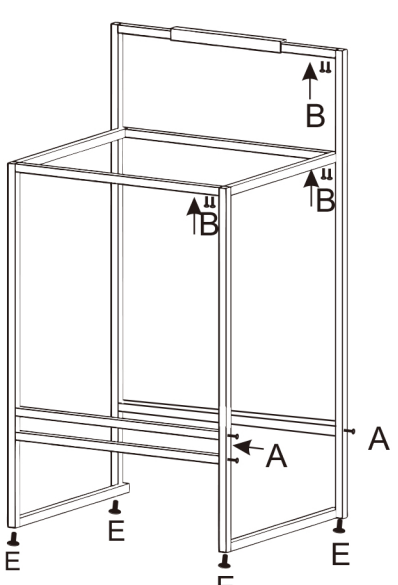




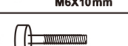
2



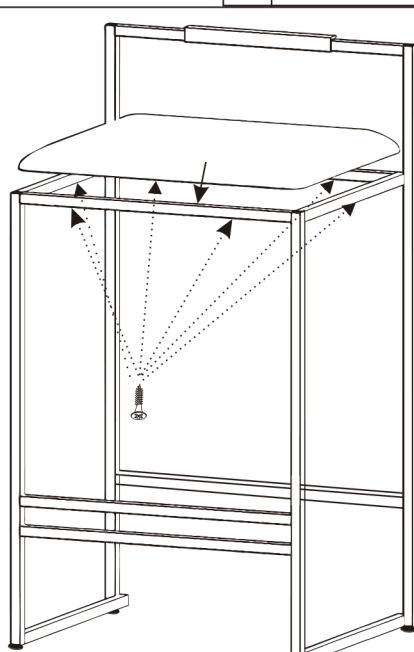
A		3
B		6


3



A		3
B		6
E		4

4



C		6
----------	---	----------