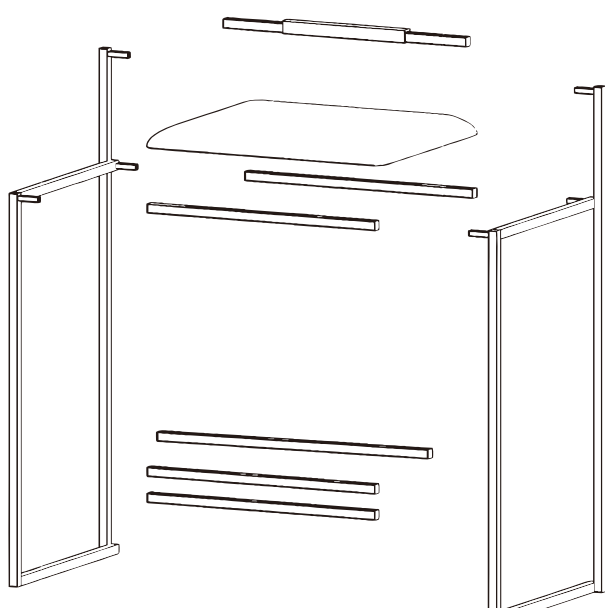
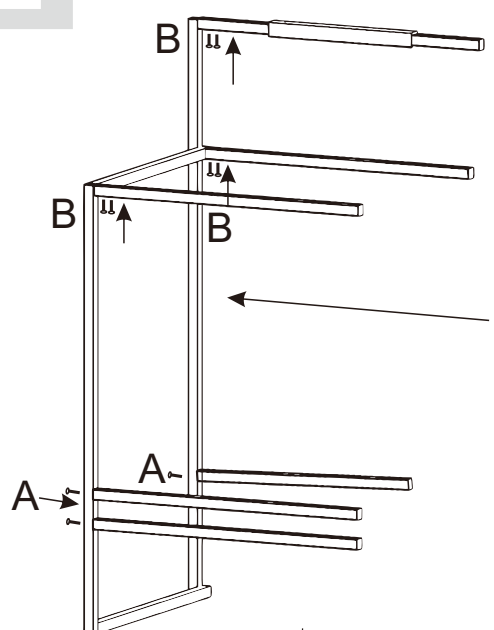


# ASSEMBLY INSTRUCTION

**1**

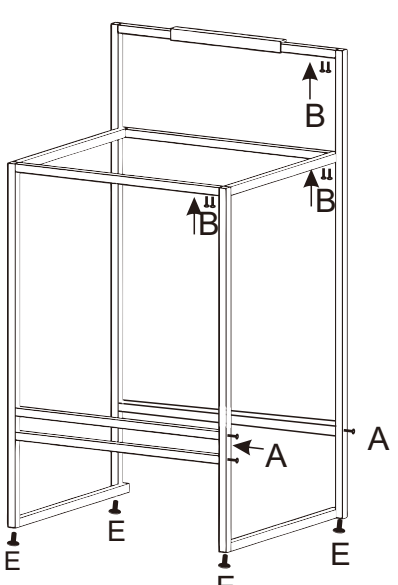


**2**



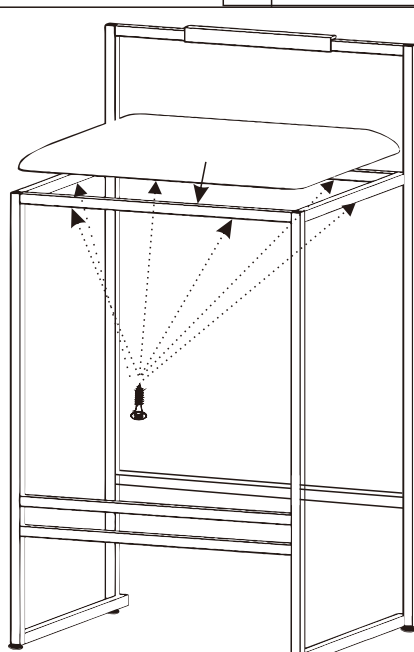
<b>A</b>		M6X35mm	3
<b>B</b>		M6X10mm	6

**3**



<b>A</b>		M6X35mm	3
<b>B</b>		M6X10mm	6
<b>E</b>		M6X20MM	4

**4**



<b>C</b>		M4 x35mm	6
----------	--	----------	---

# ASSEMBLY INSTRUCTION

**1**

**2**

<b>A</b>	 M6X35mm	<b>3</b>
<b>B</b>	 M6X10mm	<b>6</b>

**3**

<b>A</b>	 M6X35mm	<b>3</b>
<b>B</b>	 M6X10mm	<b>6</b>
<b>E</b>	 M6X20MM	<b>4</b>

**4**

<b>C</b>	 M4 x40mm	<b>6</b>
----------	--------------	----------