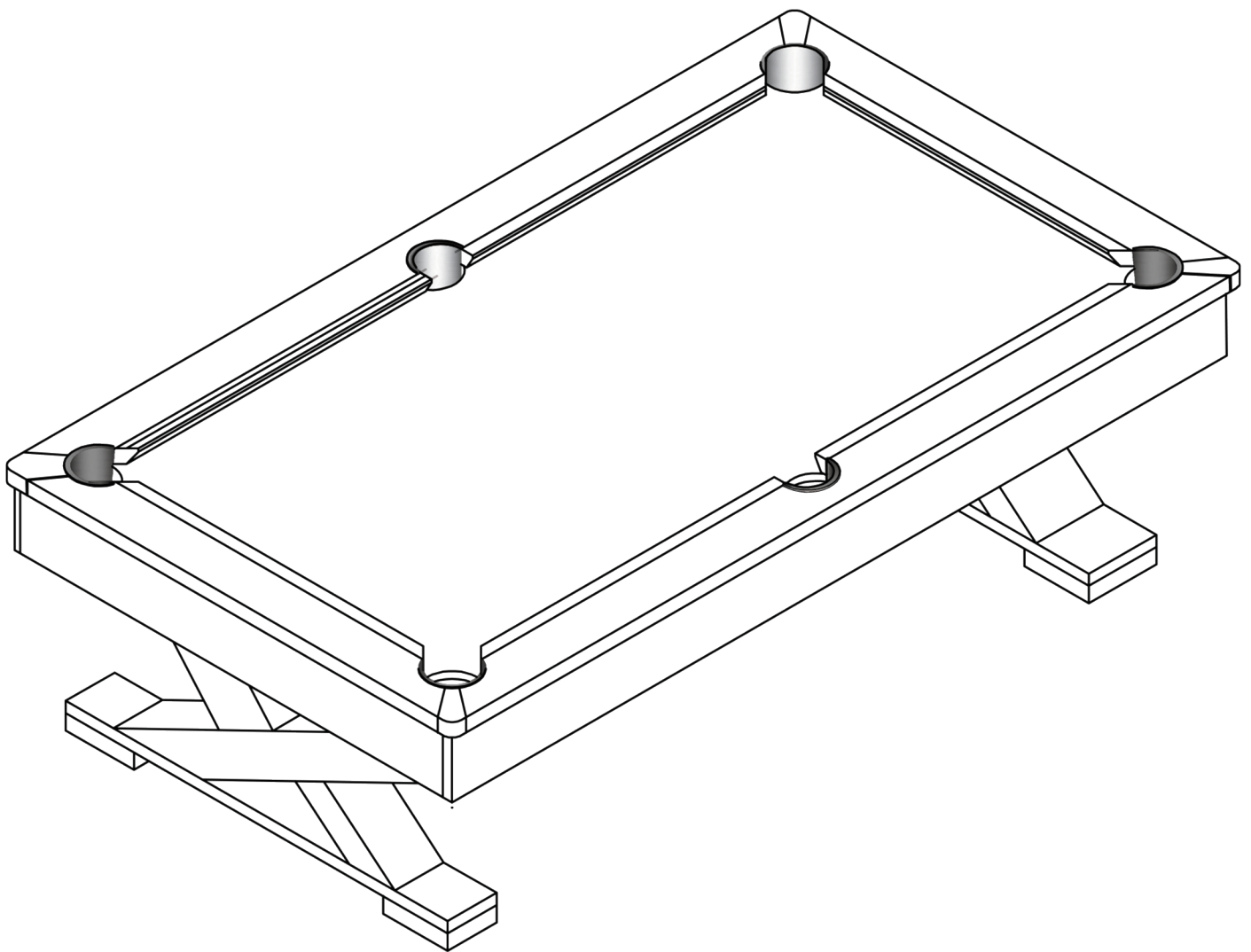


POOL TABLE

ASSEMBLY INSTRUCTIONS

WP736



PARTS IDENTIFIER

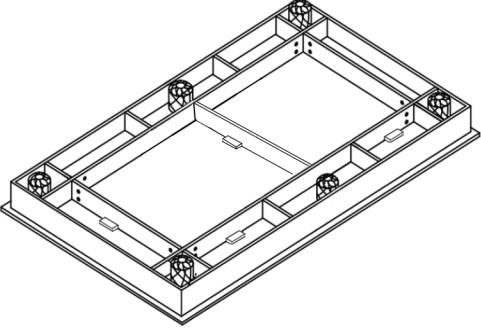
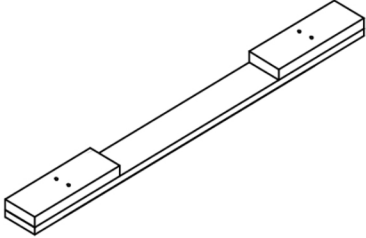
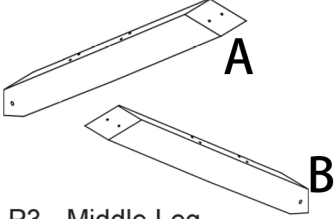
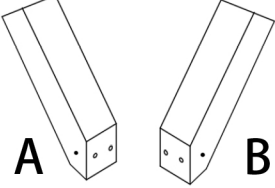
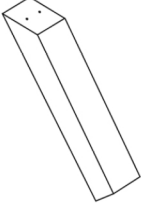
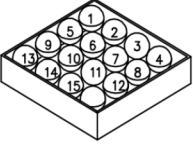
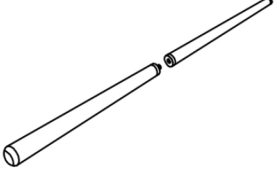


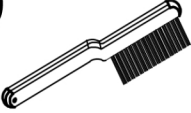
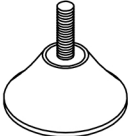

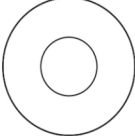
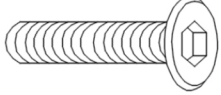
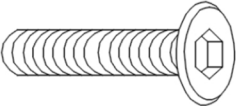
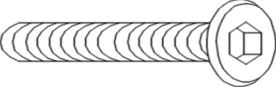
<p>P1</p>  <p>P1 - Main Cabinet (1 pc)</p>	<p>P2</p>  <p>P2 - Leg Base (2 pcs)</p>	
<p>P3 (A/B)</p>  <p>P3 - Middle Leg (2 pcs)</p>	<p>P4 (A/B)</p>  <p>P4 - Upper Leg (2 pcs)</p>	<p>P5</p>  <p>P5 - Bottom Leg (2 pcs)</p>
<p>P6</p>  <p>P6 - Billiard Ball Set (1 pc)</p>	<p>P7</p>  <p>P7 - Pool Cue (2 pcs)</p>	<p>P8</p>  <p>P8 - Triangle (1 pc)</p>
<p>P9</p>  <p>P9 - Cue Chalk (2 pcs)</p>	<p>P10</p>  <p>P10 - Playfield Brush (1 pc)</p>	<p>P11</p>  <p>P11 - Footplate (∅5/16x35) (4 pcs)</p>
<p>H1</p>  <p>Tool (1pc)</p>	<p>H2</p>  <p>Flat Washer (28 pcs)</p>	<p>H3</p>  <p>Bolt (12 pcs)</p>
<p>H4</p>  <p>Bolt (8 pcs)</p>	<p>H5</p>  <p>Bolt (8pcs)</p>	

FIGURE 1

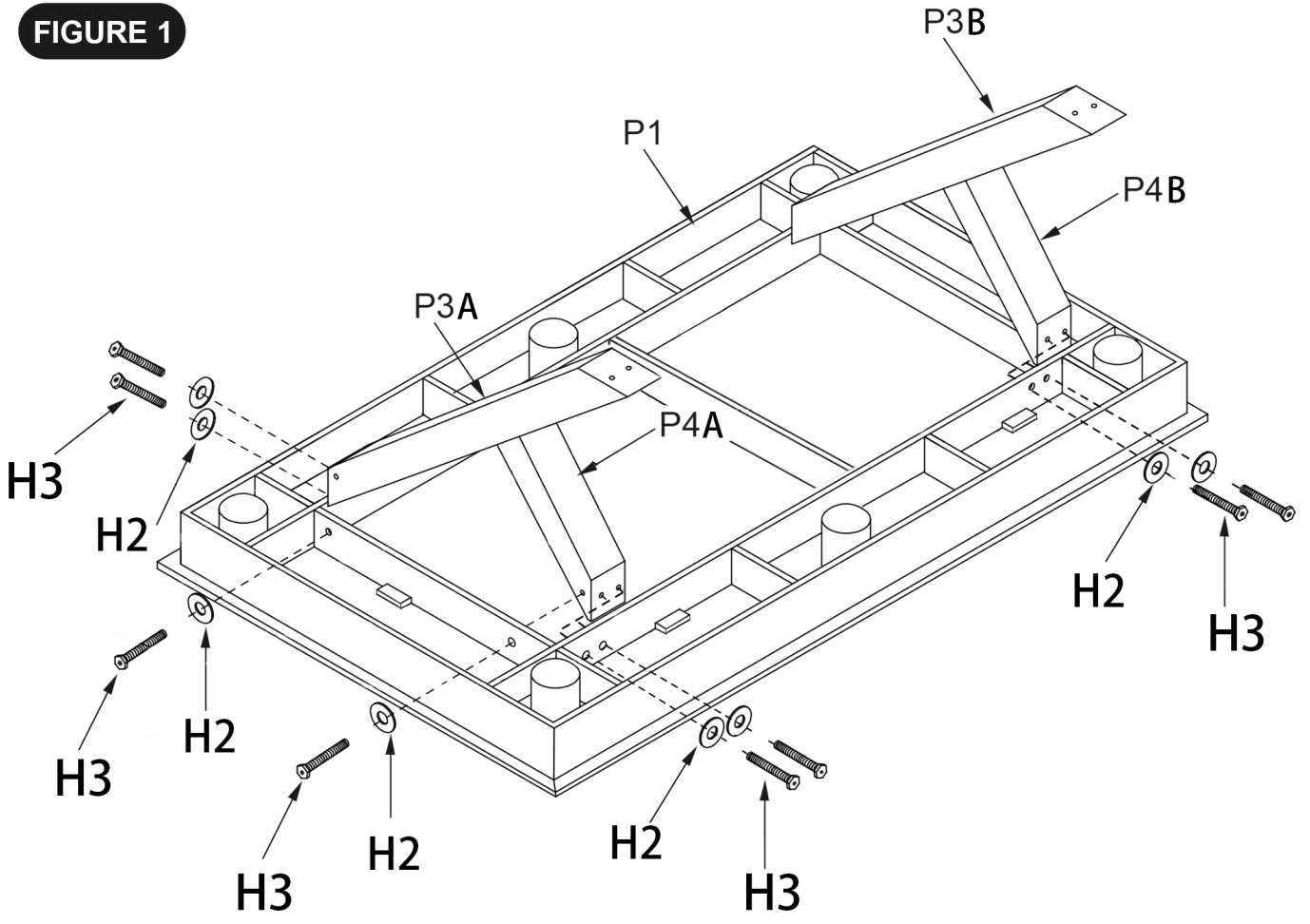


FIGURE 2

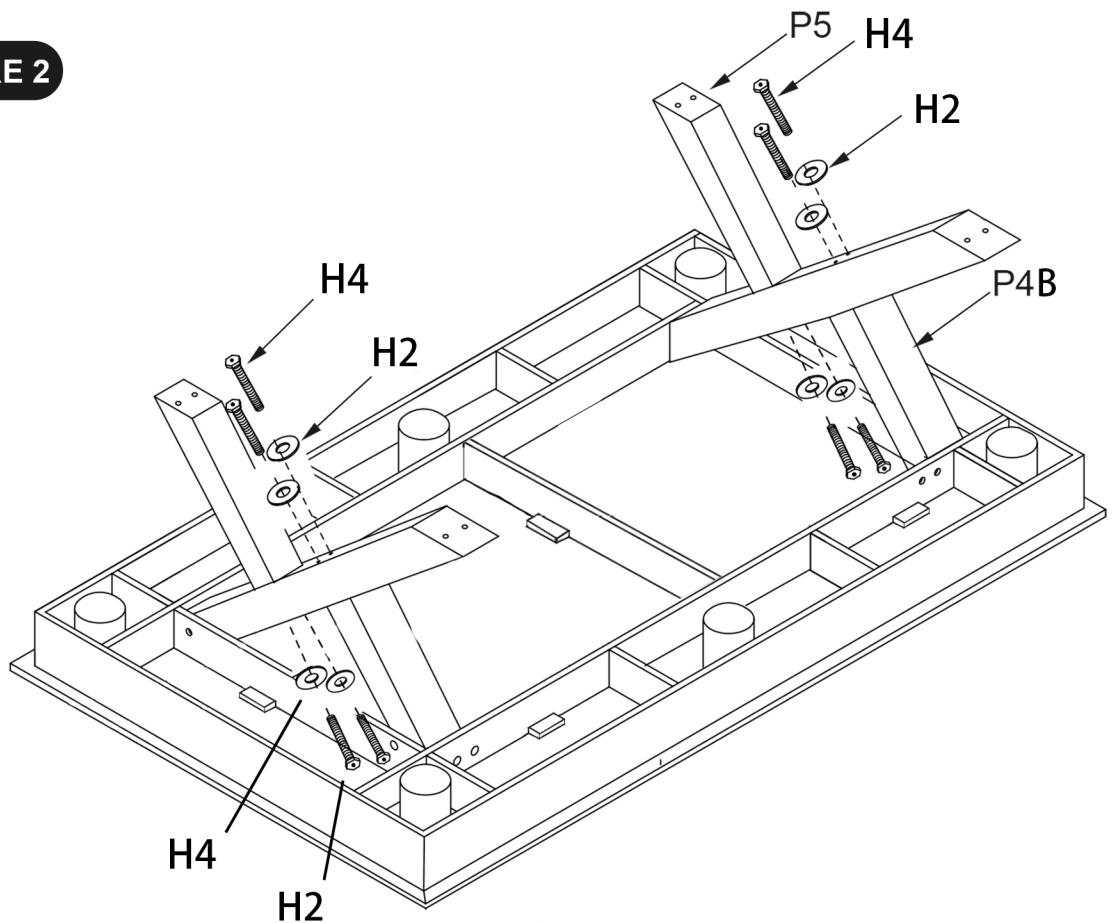
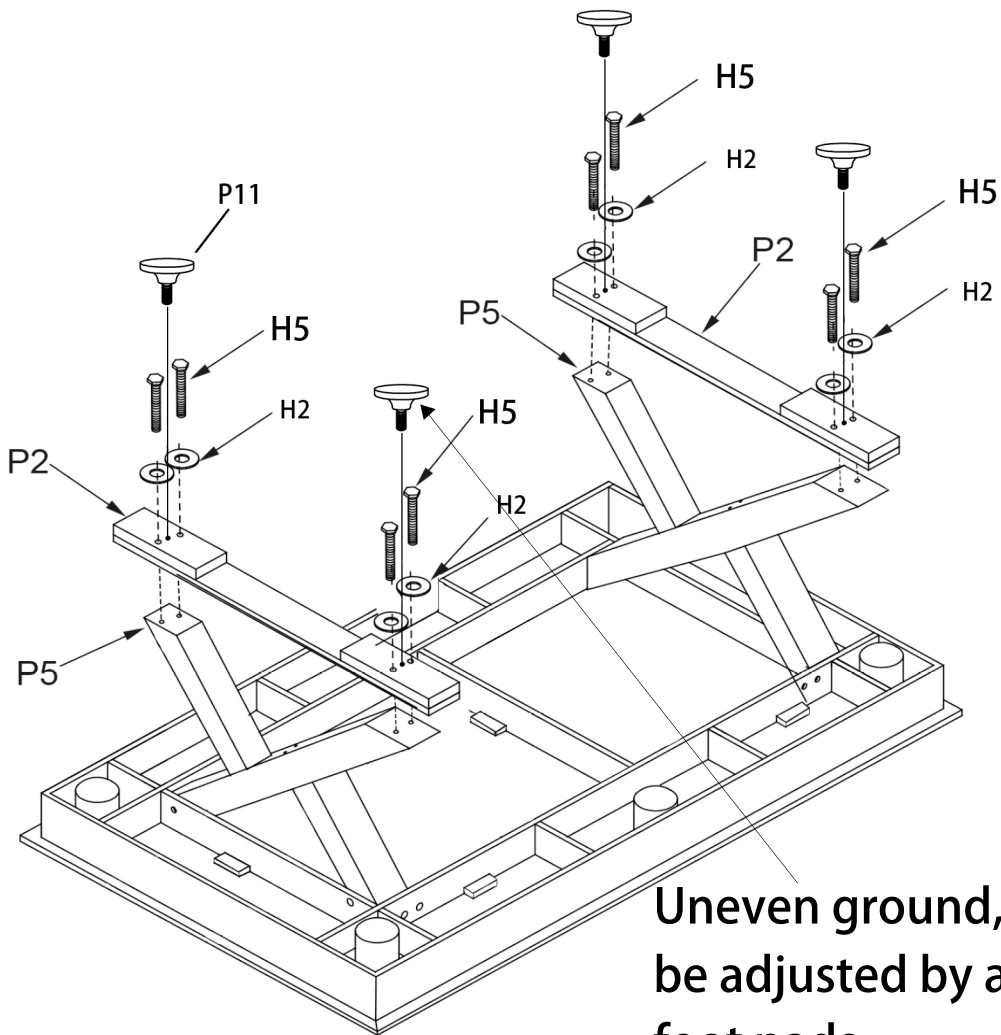


FIGURE 3



WARNING:

THIS STEP REQUIRES FOUR OR MORE ADULTS.

WHILE FLIPPING THE TABLE OVER, DO NOT ALLOW TABLE TO REST ON THE SIDE OF LEGS AS THIS COULD DAMAGE THEM.

VERY CAREFULLY TURN THE TABLE OVER AND SET IT ON ITS LEGS. BE CAREFUL. THE TABLE IS VERY HEAVY.

