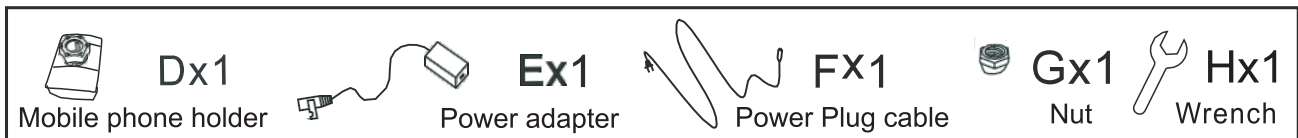
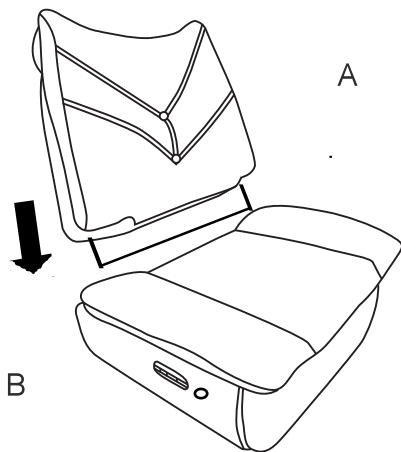


ASSEMBLY INSTRUCTION

 Please note: Part C, D, E, F, G, H are all stored in the storage compartment under the seat cushion armrest.

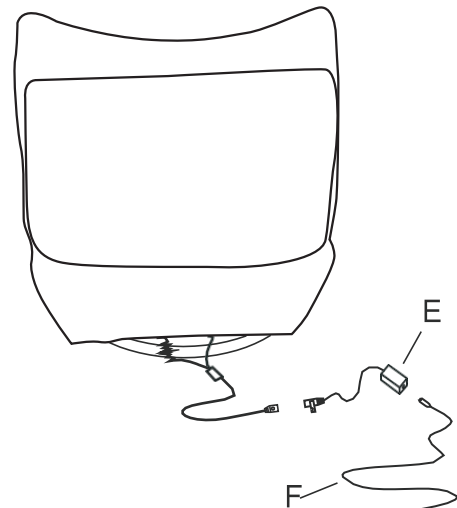


STEP 1



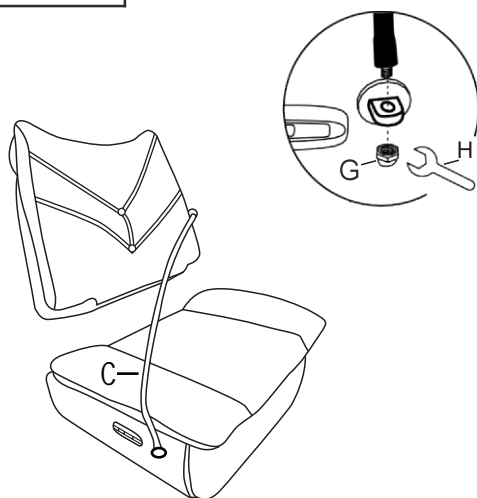
Take the seat (Part A) and align it with the slot on the backrest (Part B).

STEP 2



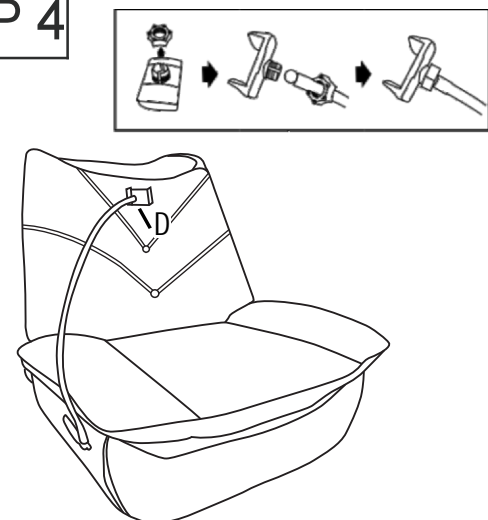
Connect the Power adapter (Part E) to the Seat and the Part F.

STEP 3

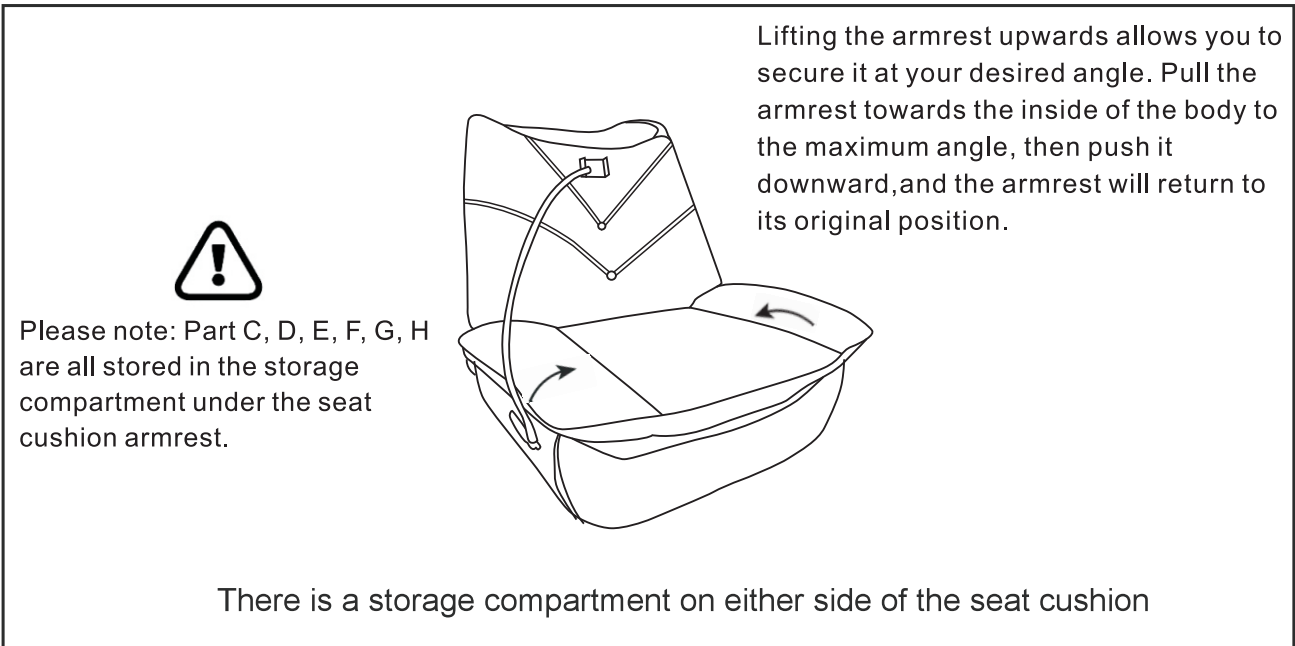
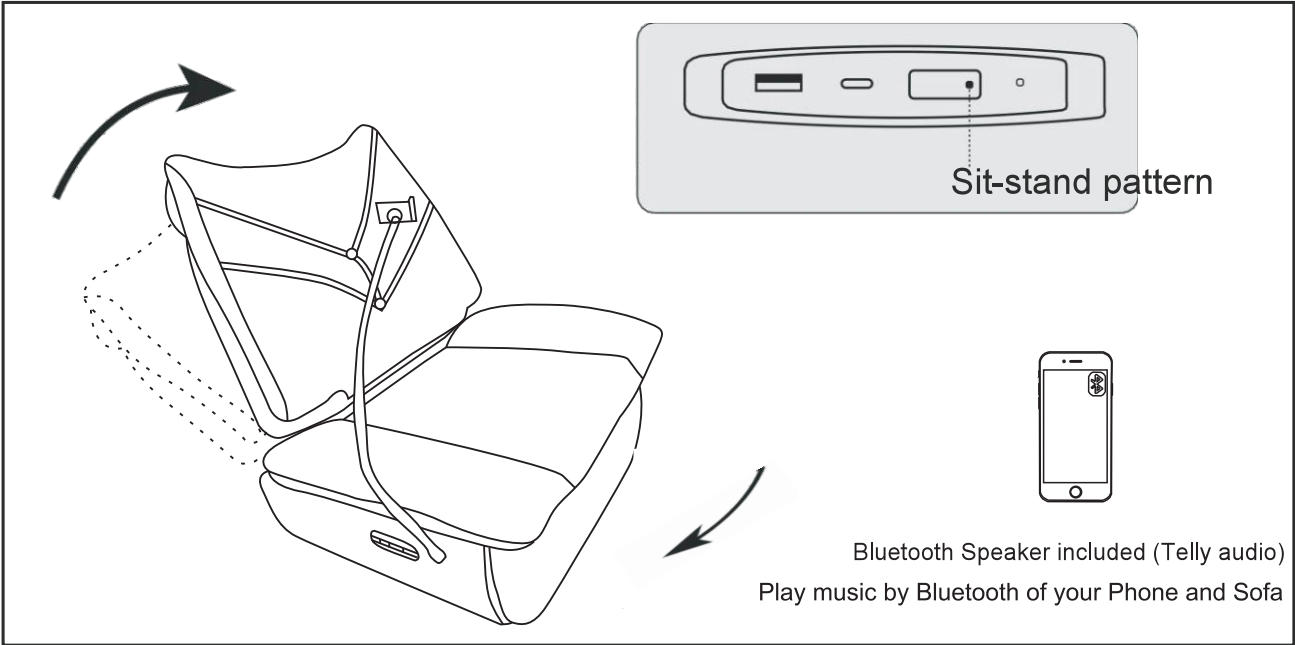
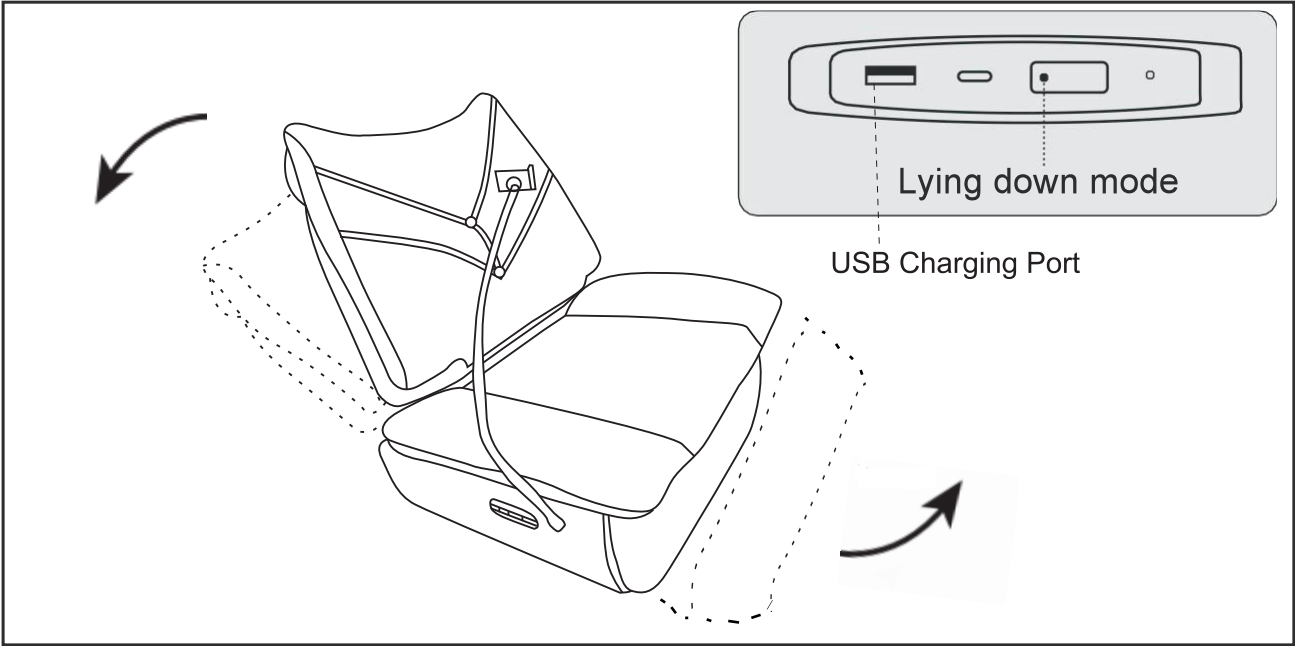


Insert the threaded end of the phone support bar (Part C) into the metal hole on the right side of the seat (Part B), then tighten it with the nut (Part G) under the hole.

STEP 4



Screw down the Plastic nut from the Mobile phone holder (Part D), cross the Plastic nut to the Phone support bar (Part C), then insert the Phone holder (Part D) to the support bar (Part C), tighten screw the plastic nut.



Voice (Telly- wake word) multi-function command and control

Welcome to use the voice assistant, pls call me Telly

| Voice Command | voice response |
|------------------|------------------------------------|
| Hi Telly | Telly is on line |
| Open the sofa | Sofa is Opened |
| Close the sofa | Sofa is Closed |
| Pause the sofa | Sofa is Paused |
| Volume Up | Volume is UP |
| Volume Down | Volume is Down |
| Working Model | Switched to Working model |
| Sleep Model | Switched to Sleep model |
| Game Model | Switched to Game model |
| Leisure Model | Switched to Leisure model |
| Open the light | Sofa light is opened |
| Close the light | Sofa light is closed |
| (when keep 20S) | At your service at any time thanks |