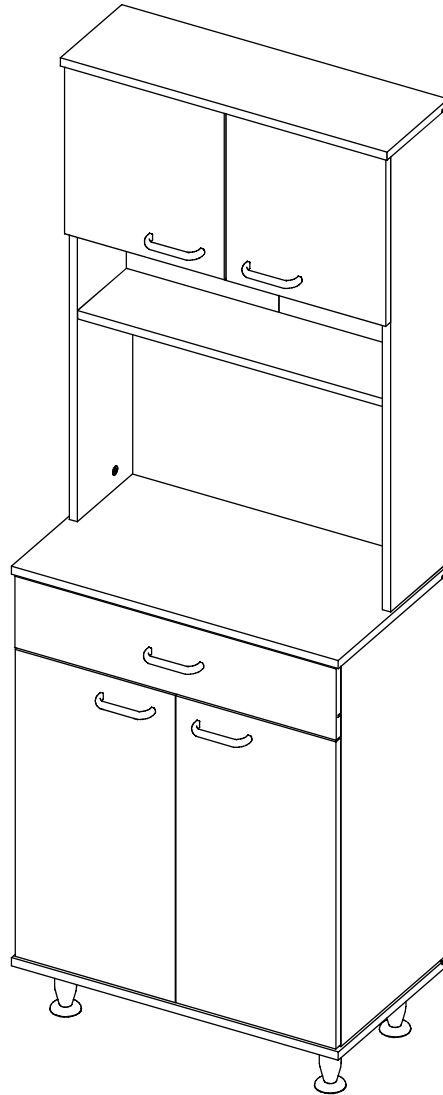


ASSEMBLY INSTRUCTIONS

INSTRUCCIONES DE ENSAMBLE



Height: 66,5 in
Width: 23,62 in
Depth: 13,77 in

Alto: 169 cm
Ancho: 60 cm
Fondo: 35 cm

LOT N°

**IF ANY PARTS ARE BROKEN OR
MISSING PLEASE CONTACT US**

AT: 1-888-391-01-66 /

customerservicetuhome@rta.com.co

**OUR CUSTOMER SERVICE TEAM WILL PROVIDE
YOU HELP TO RESOLVE ANY ISSUES IMMEDIATELY**

DELLA 60 PANTRY CABINET
Mueble Alacena Della 60



IMPORTANT RECOMMENDATIONS

Do not paint the cabinet.

The cabinet **MUST** be used exclusively indoors, do not expose to direct sun.

Clean metallic hardware with a dry cloth.

Do **NOT** overload the cabinet (see suggested loads).

Do not hit or hammer the cabinet (just when indicated).

Clean with a slightly damp cloth, use gentle soaps.

Do not drag, lift and move between two people.

Avoid direct contact with water, fire or exposure to heat sources.

RECOMENDACIONES IMPORTANTES

No pintar el mueble.

El mueble debe ser usado únicamente en interiores, no exponer al sol directo.

Limpiar los herrajes metálicos con un paño seco.

NO sobrecargar el mueble (ver las cargas sugeridas).

No golpear ni martillar el mueble (solo cuando se indique).

Limpiar con un paño ligeramente húmedo, usar jabones suaves.

No arrastre el mueble, levántelo entre dos personas.

Evite el contacto directo con el agua, el fuego o la exposición a fuentes de calor.



WARNING

Never allow children to climb or manipulate the cabinet, furniture tip over can cause serious injuries or death.



ADVERTENCIA

Nunca permita que los niños escalen o manipulen el mueble, la caída de este puede provocar lesiones graves o la muerte.

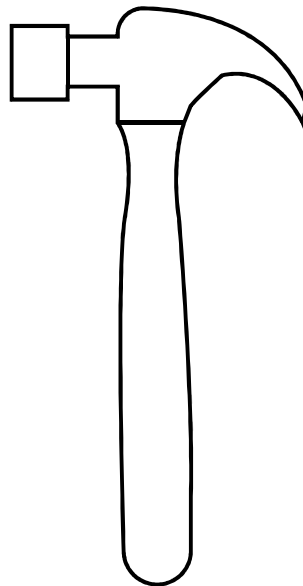
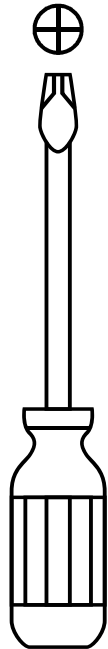
INDEX

ÍNDICE

Assembly Hardware	4	Herrajes para Armado.....	4
Assembly Parts	5	Piezas de Armado.....	5
Suggested Loads.....	6	Cargas Sugeridas.....	6
Assembly Recommendations.....	6	Recomendaciones de Ensamble.....	6
Assembly Steps	7-23	Pasos de Armado.....	7-23
Warranty.....	24	Garantía	24

REQUIRED TOOLS*

HERRAMIENTAS NECESARIAS*



*Not included, and not shown actual size.

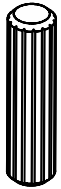
*No incluidas y no se muestran en tamaño real.

ASSEMBLY HARDWARE

HERRAJES PARA ARMADO

Please check that the hardware content is correct. If any item is missing, please call to our customer service line.

Compruebe que el contenido de los herrajes sea el correcto. En caso de que falte alguna pieza, por favor llame a nuestra línea de atención al cliente.



x34

Wood Dowel
Tarugo



x22

Spreading Bolt
Perno Minifix



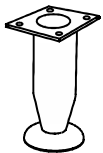
x22

Minifix Cams
Minifix



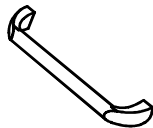
x22

Cover Caps
Tapa Adhesiva
Minifix



x4

Leg Plated
Pata Acero



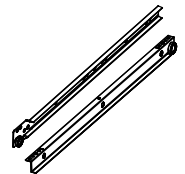
x5

Handle
(Screws Included)
Manija
(Incluye Tornillos)



x4

Drywall Screw 2"
Tornillo de Ensamble



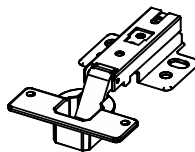
x1

Drawer Slide
(Screws Included)
Riel
(Incluye Tornillos)



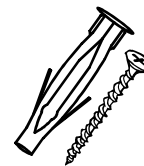
x16

Sheet Screw
Tornillo Lámina
6X9/16"



x8

Full Overlay Hinge
(Screws Included)
Bisagra Parche
(Incluye Tornillos)



x2

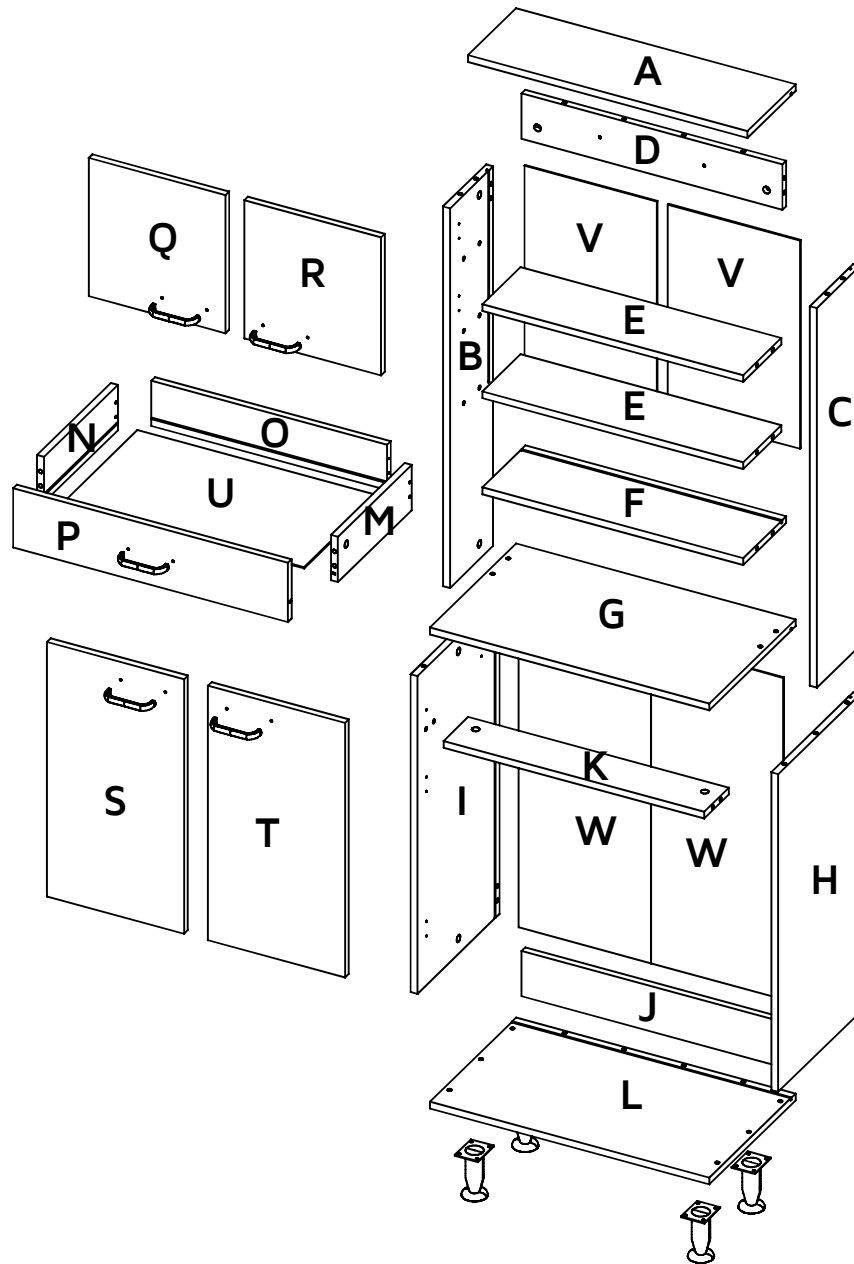
Wall Anchor +
Drywall Screw
Chazo Mariposa +
Tornillo de Ensamble

Hardware items are NOT shown actual size.

Los herrajes no se muestran en el tamaño real.

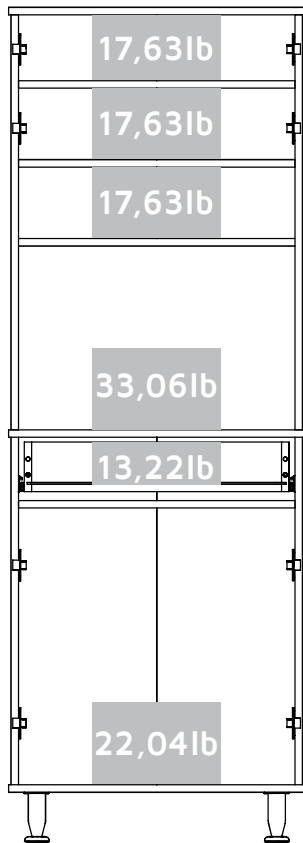
ASSEMBLY PARTS

PIEZAS DE ARMADO



A - x1	G - x1	M - x1	S - x1
B - x1	H - x1	N - x1	T - x1
C - x1	I - x1	O - x1	U - X1
D - x1	J - x1	P - x1	V - X2
E - x2	K - x1	Q - x1	W - X2
F - x1	L - x1	R - x1	

MAX SUGGESTED LOADS



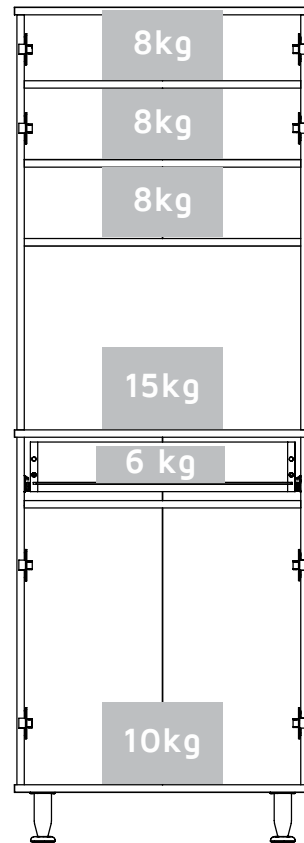
ASSEMBLY RECOMMENDATIONS

Two people are recommended to assemble the product.

Assemble the cabinet on a flat, smooth surface, preferably on a carpeted floor or the carton box of the product.

Carefully read the assembly instructions and identify every wood and hardware part before start assembling the cabinet.

CARGAS MÁXIMAS SUGERIDAS



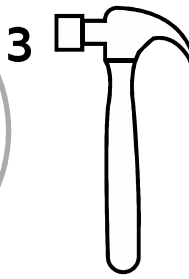
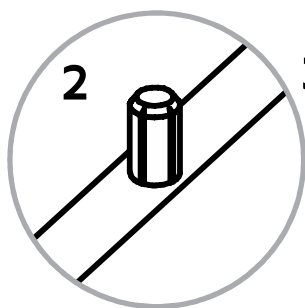
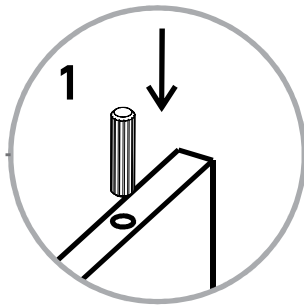
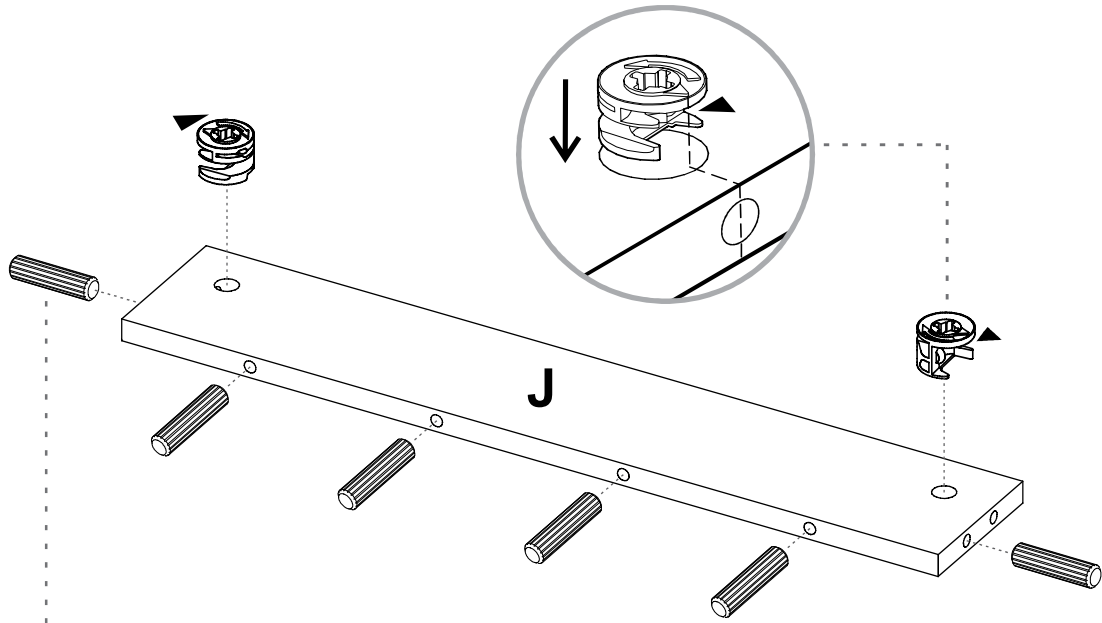
RECOMENDACIONES DE ENSAMBLE

Ensamble el mueble entre dos personas.

Ensamble el mueble sobre una superficie plana y lisa, preferiblemente sobre un tapete o el cartón de la caja

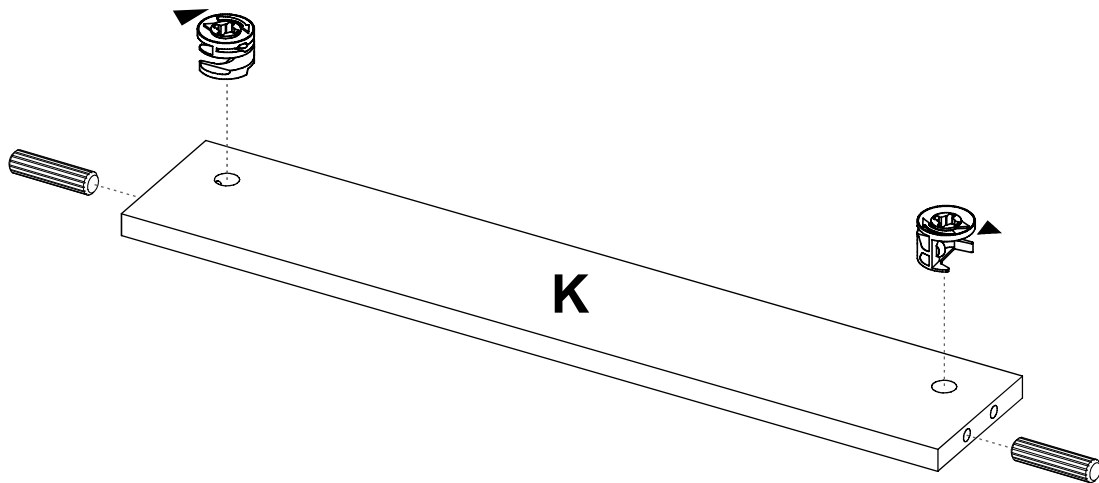
Lea cuidadosamente las instrucciones e identifique todas las piezas y herrajes antes de empezar a armar el mueble.

1

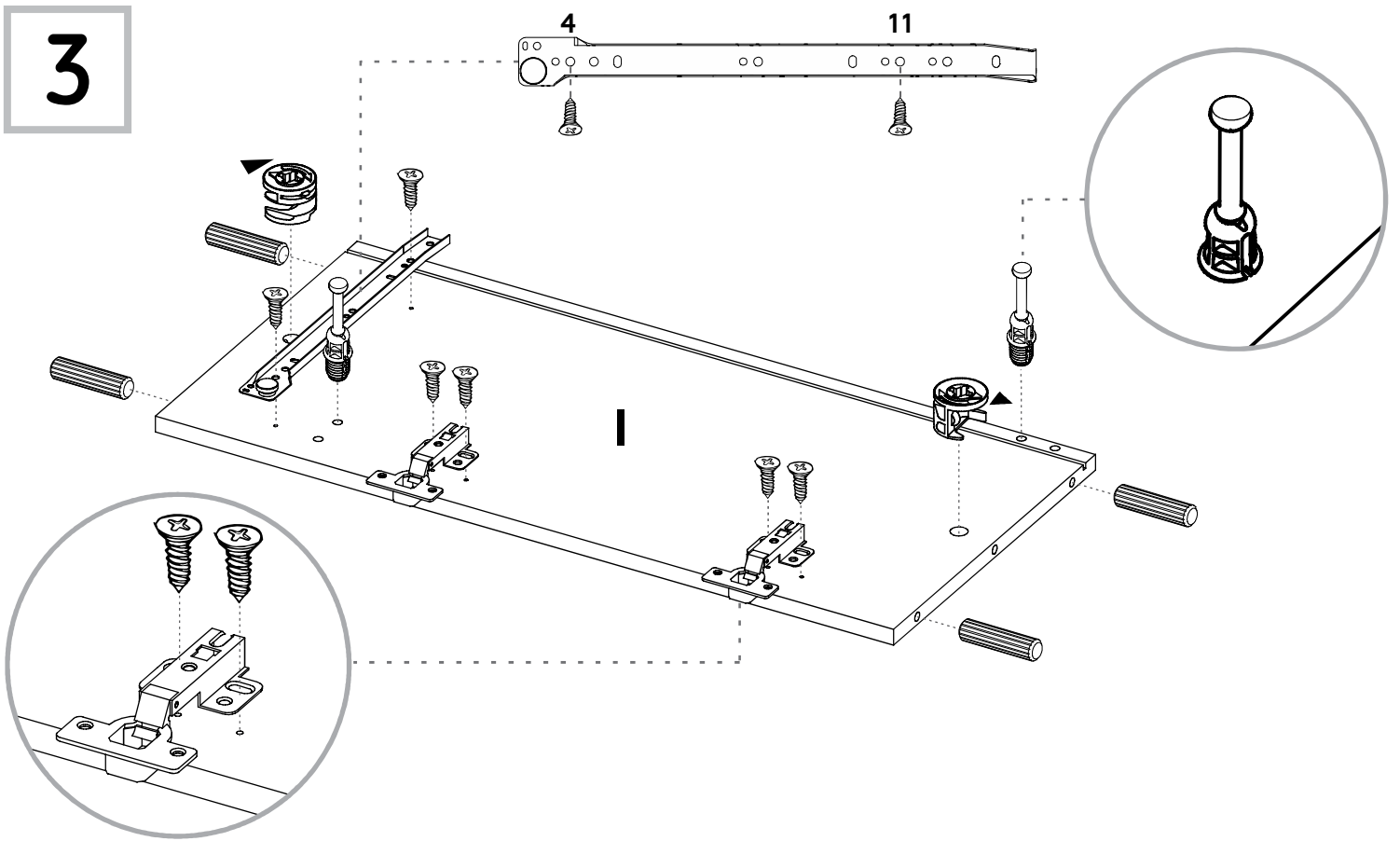


2

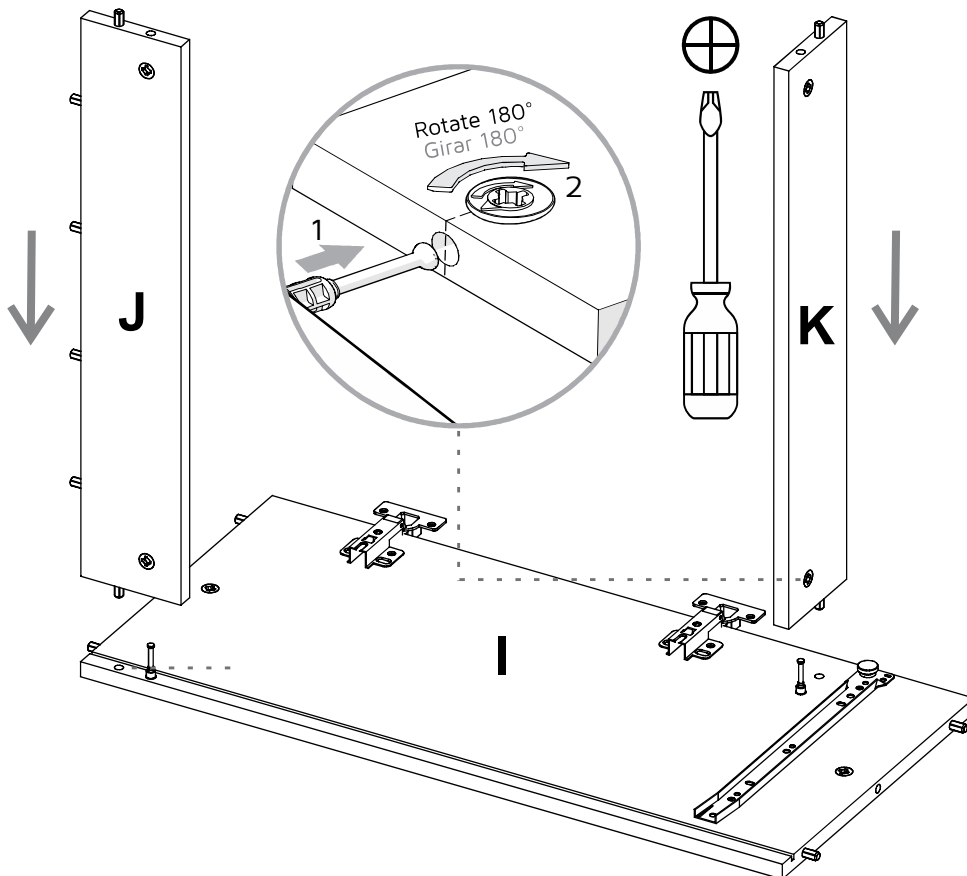
Repeat this in the following steps.
Repita esto en todos los ensambles



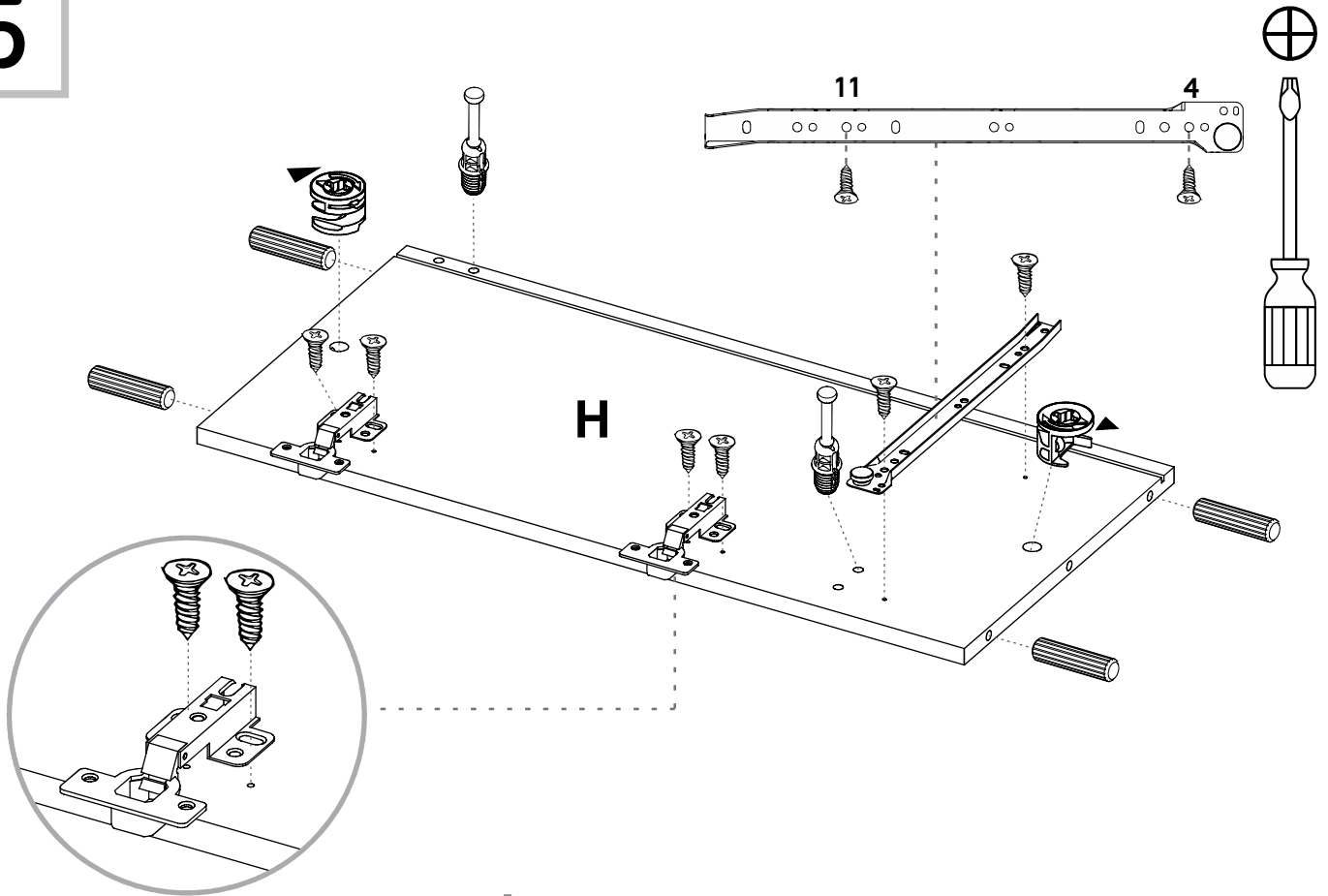
3



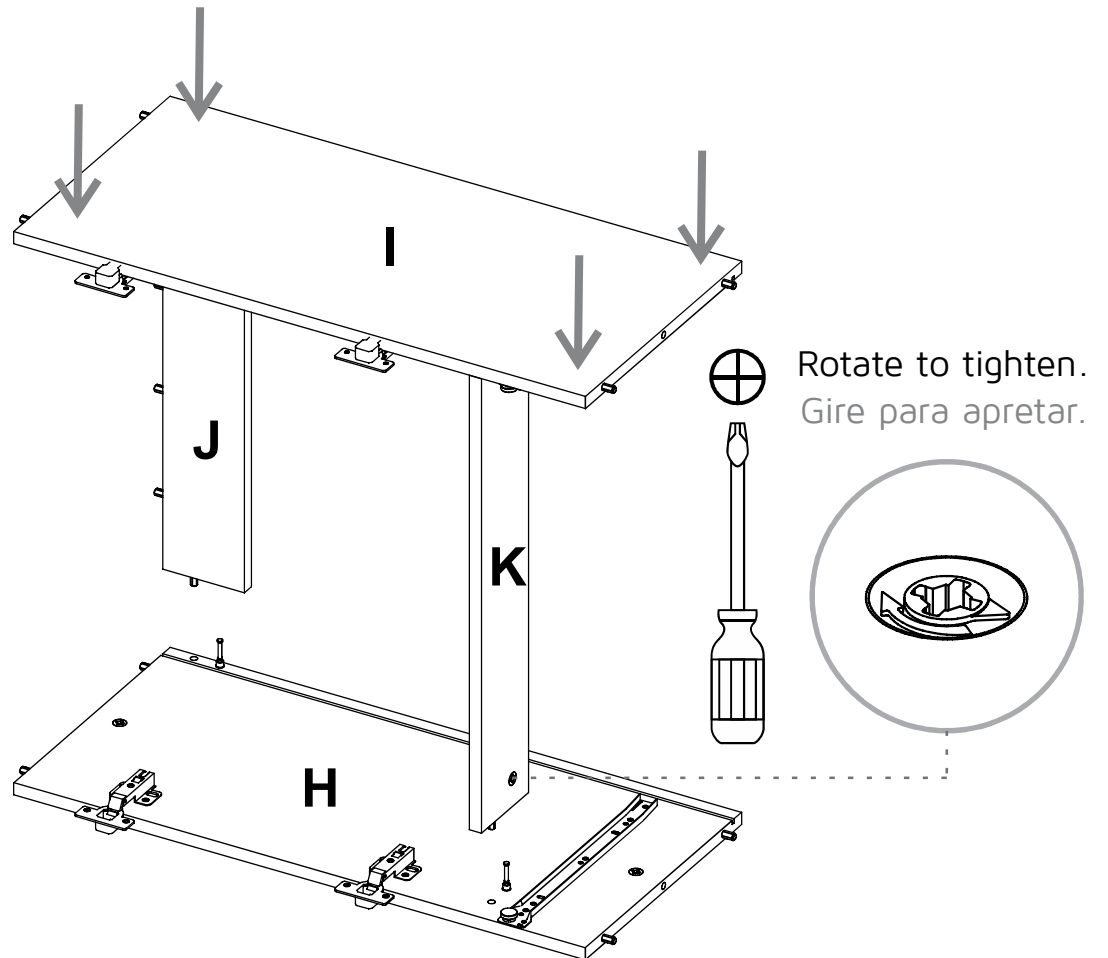
4



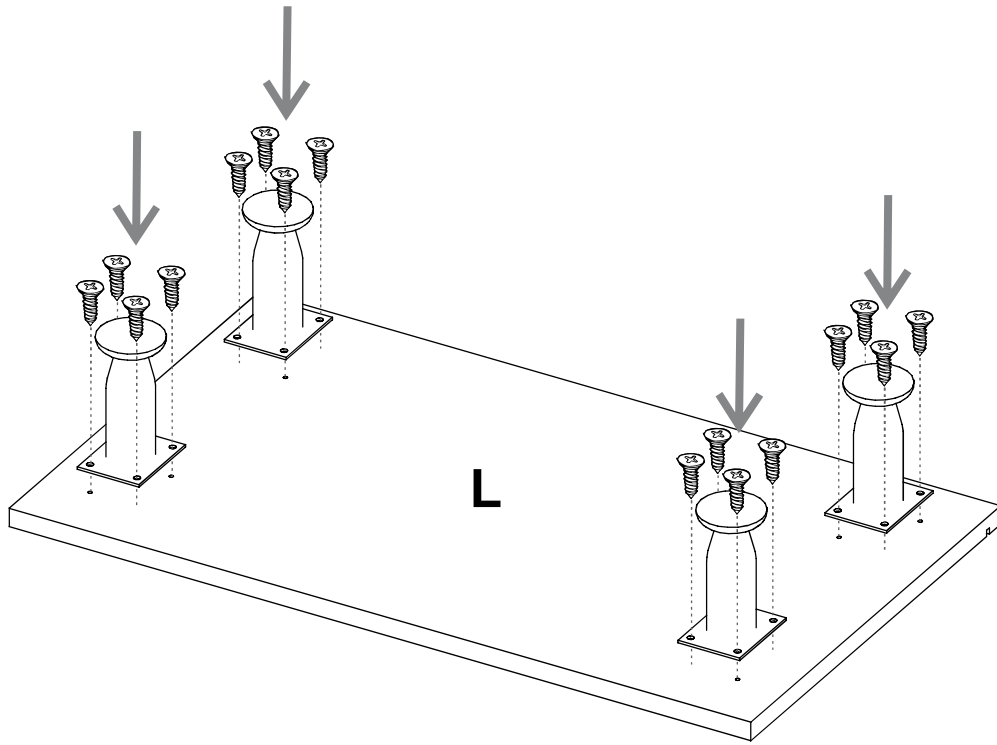
5



6

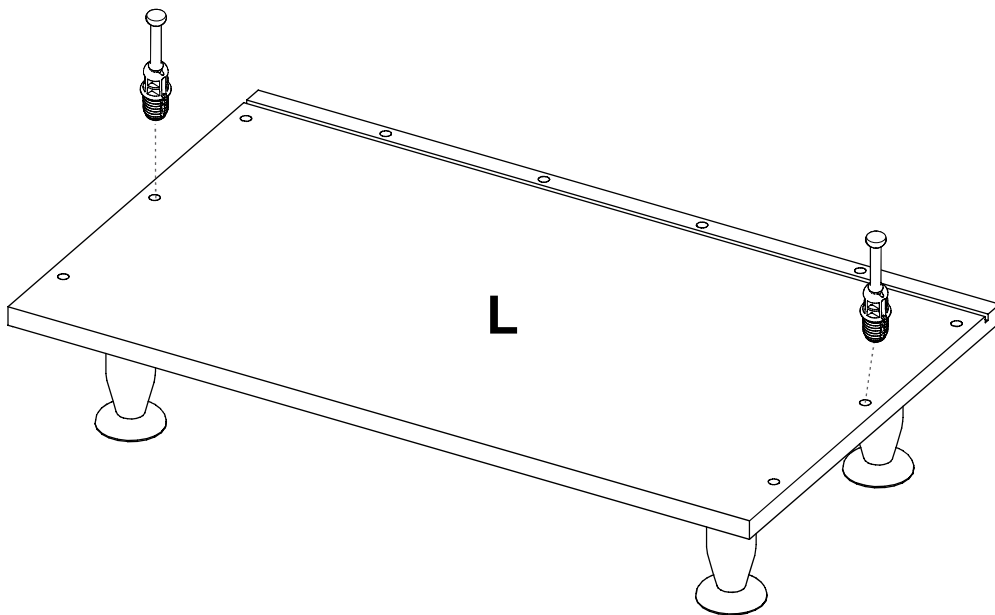


7

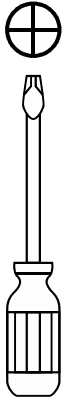


8

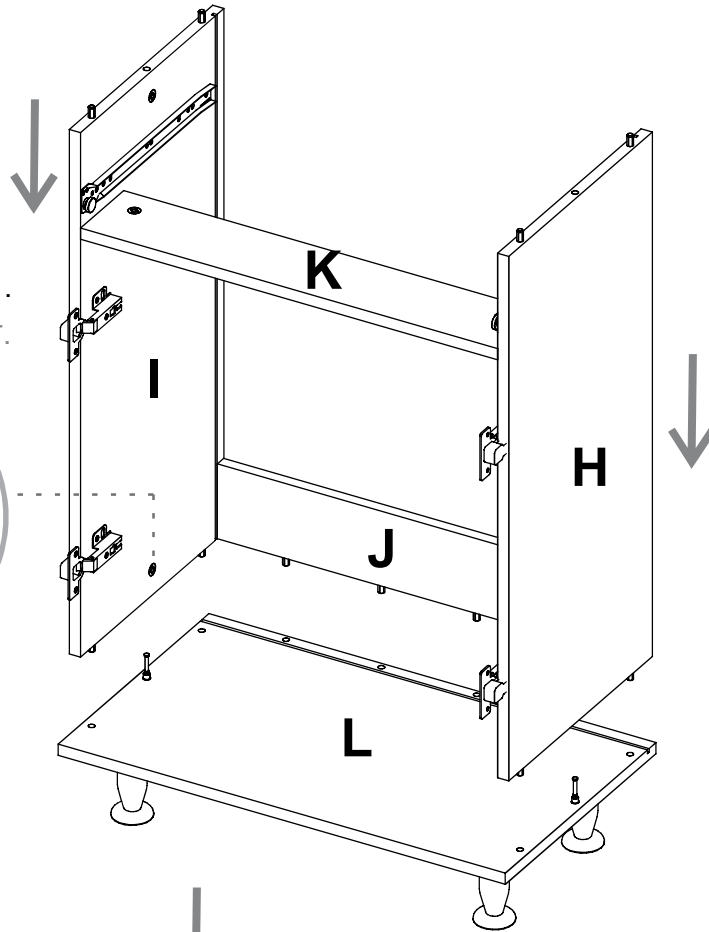
Turn Over
Voltear



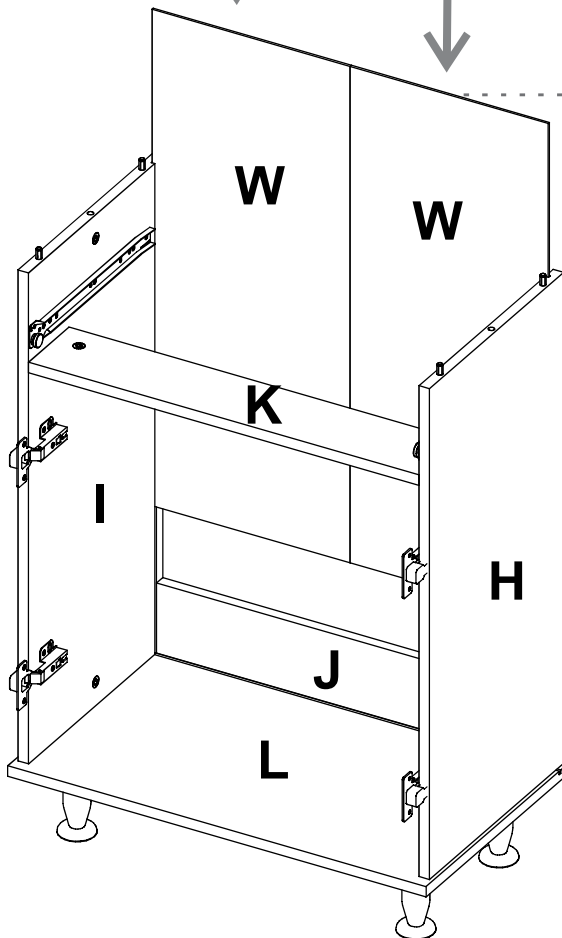
9



Rotate to tighten.
Gire para apretar.

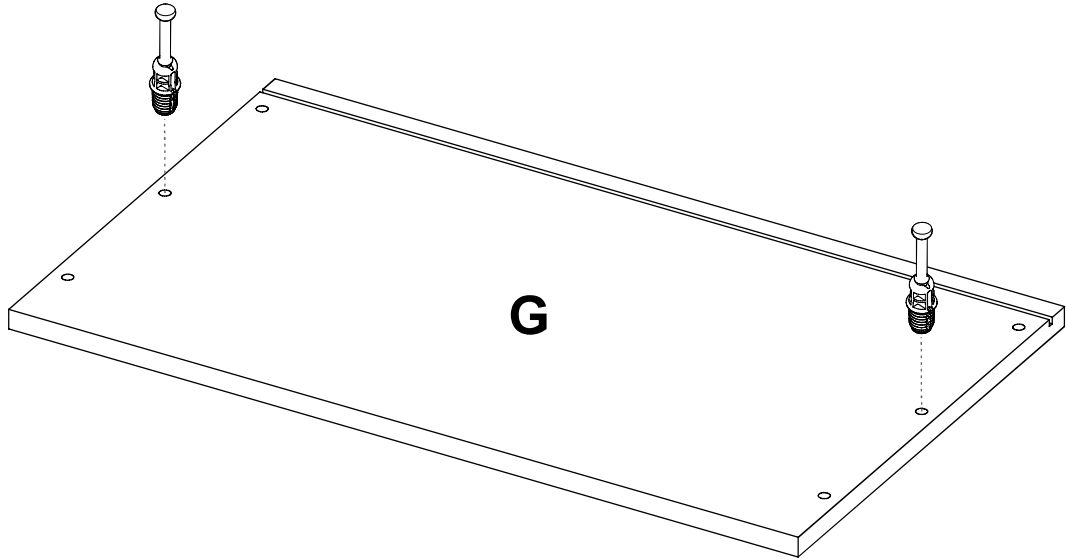


10



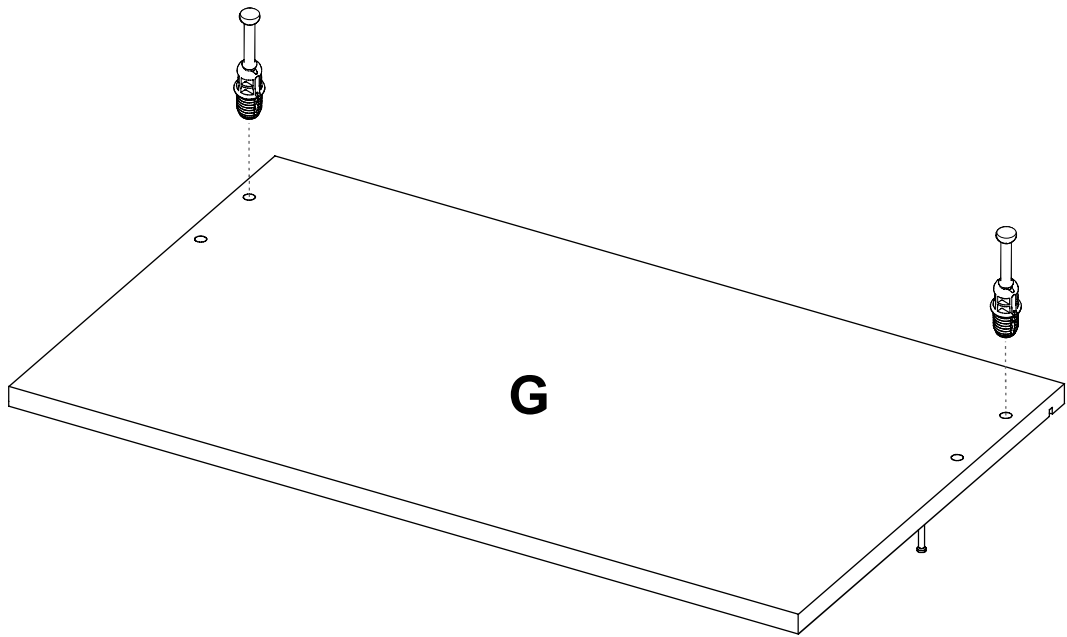
Slide the back panels
inside the cabinet
Deslice los fondos
dentro del mueble

11



Turn Over
Voltear

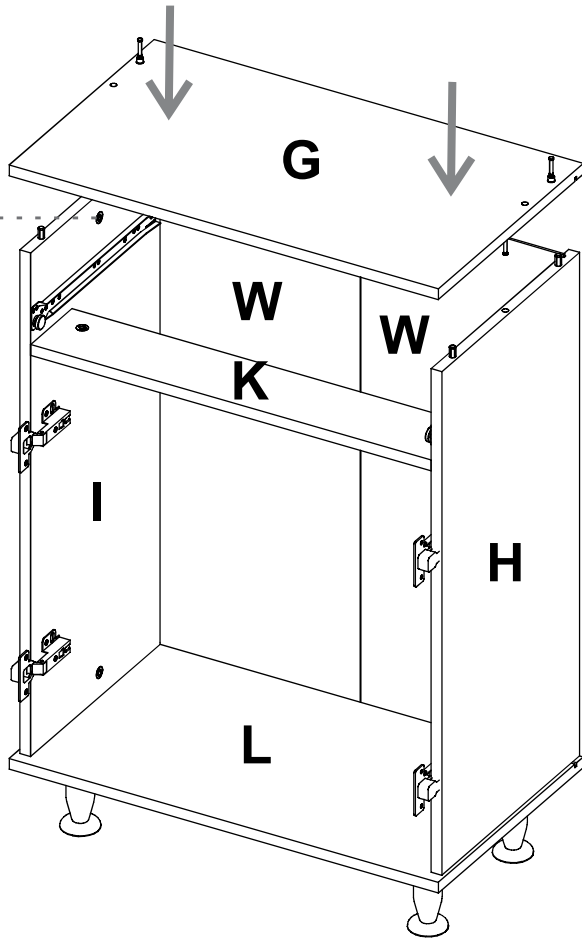
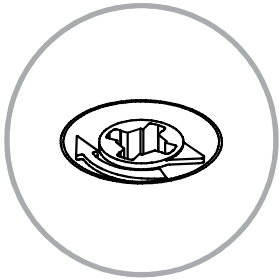
12



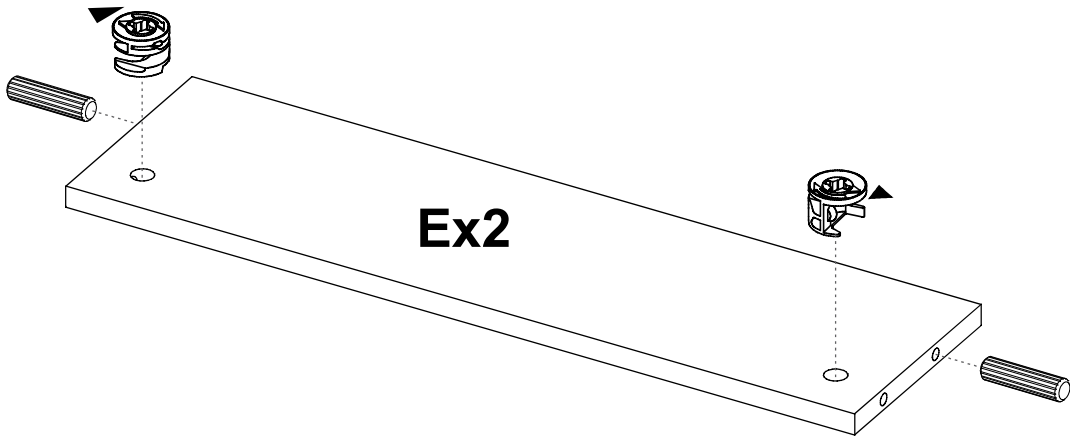
13



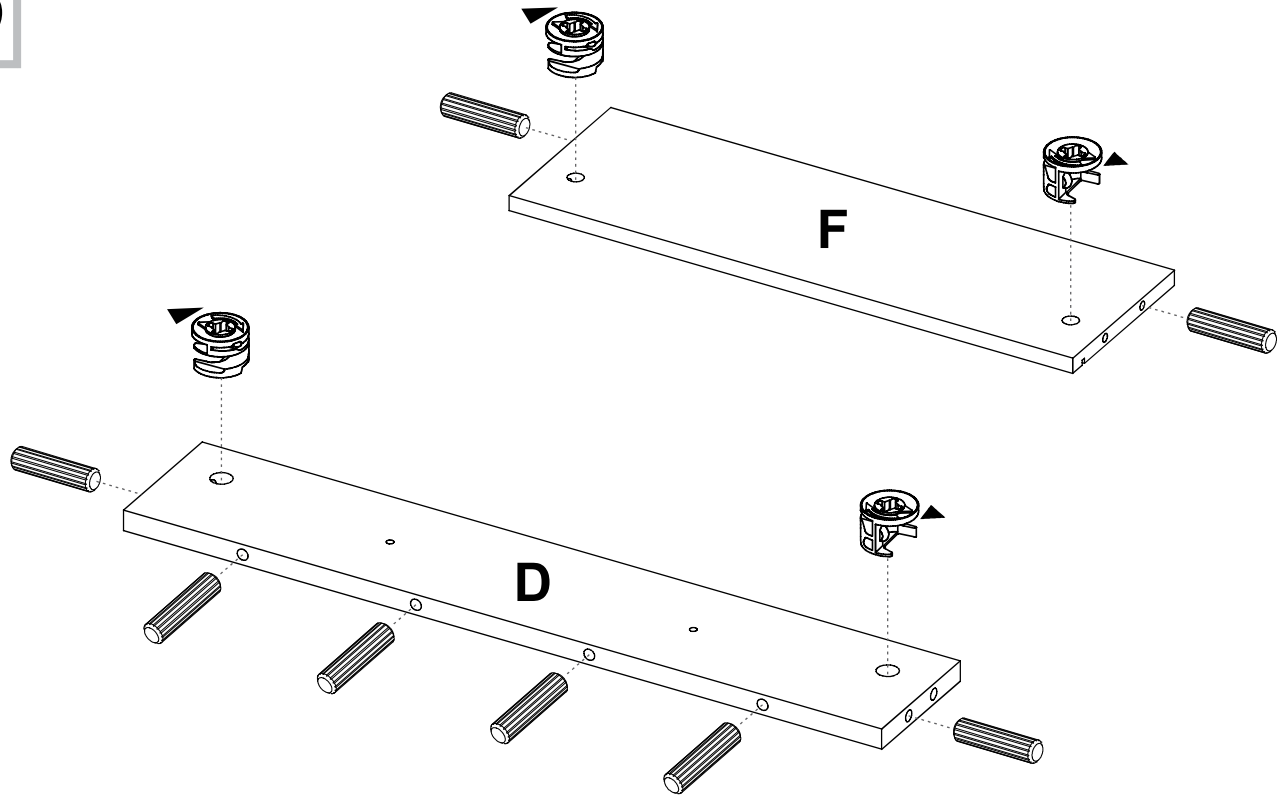
Rotate to tighten.
Gire para apretar.



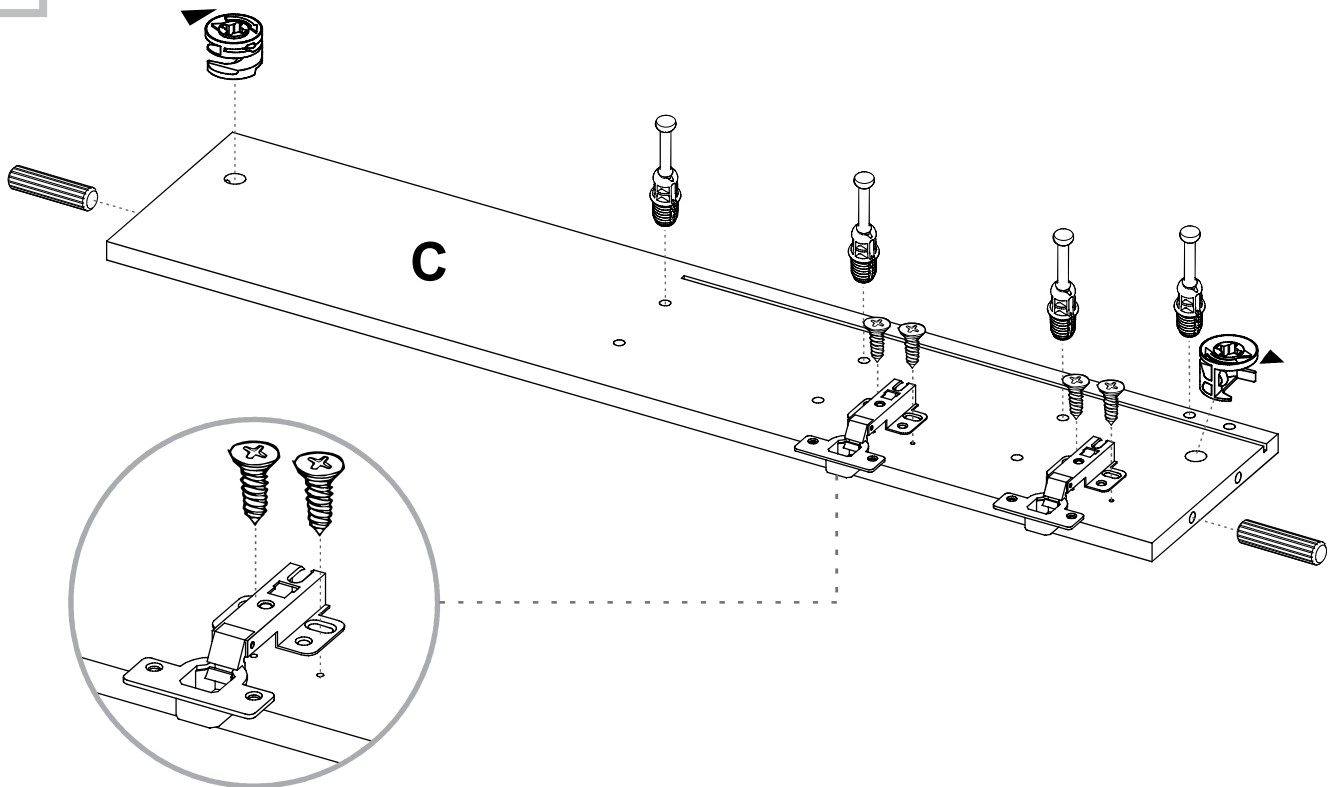
14



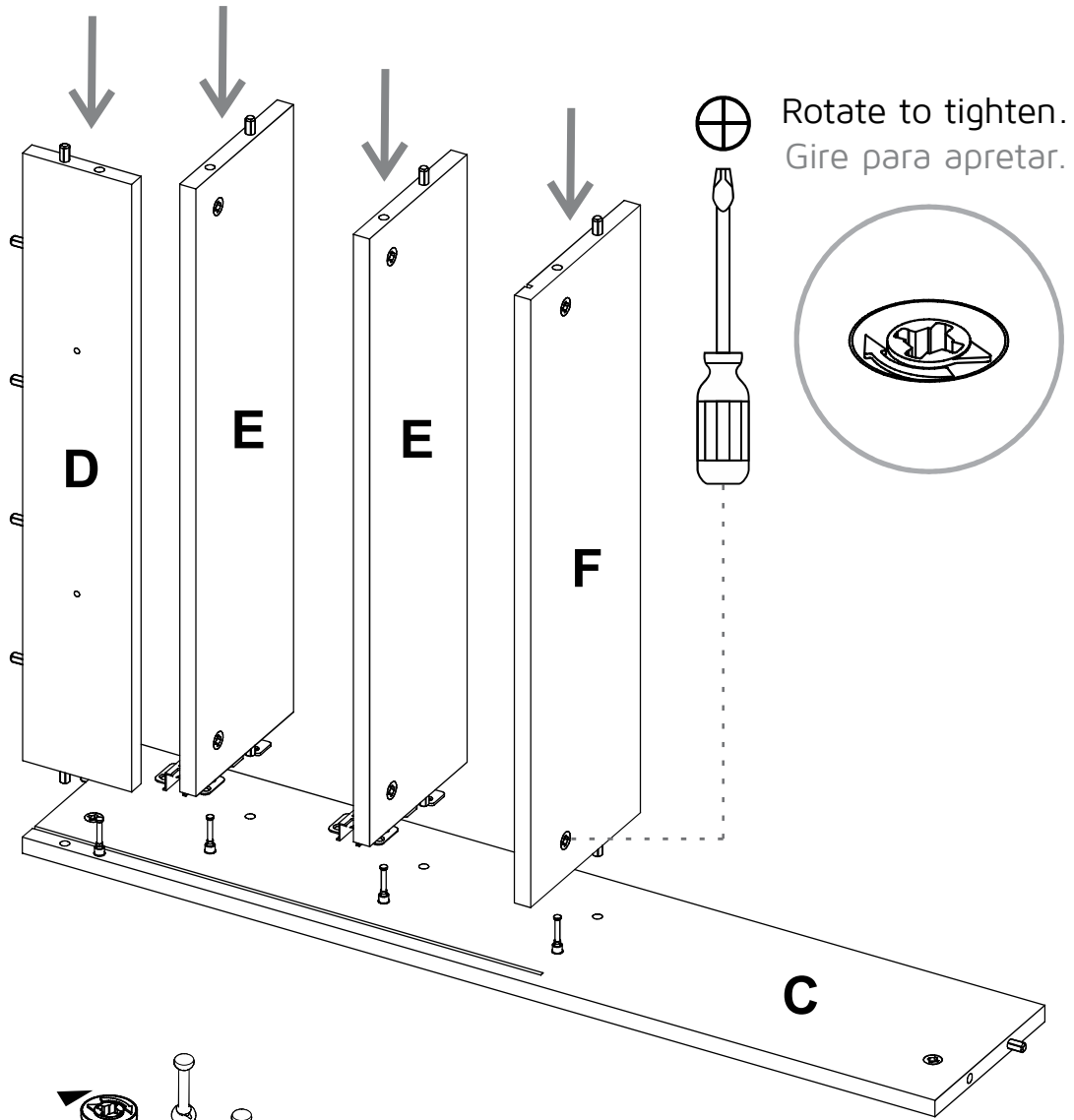
15



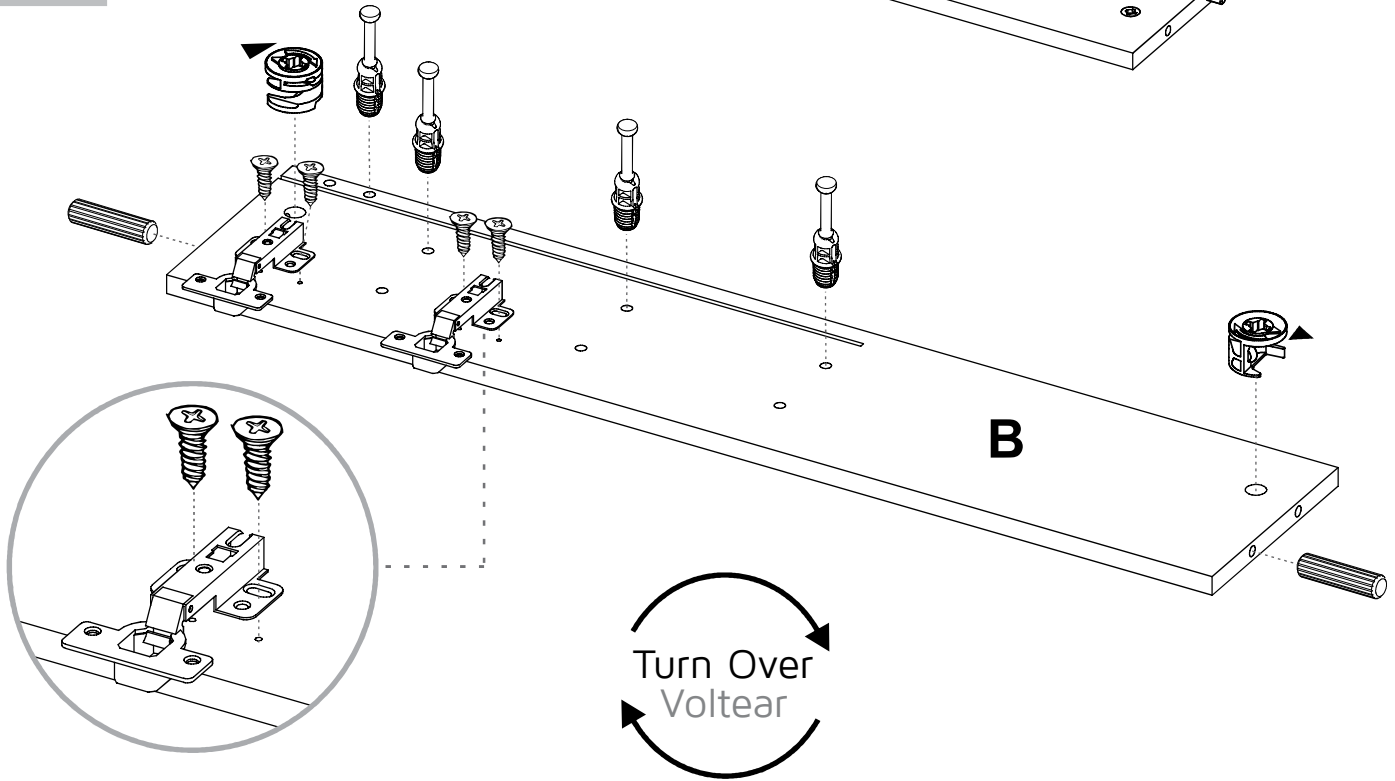
16



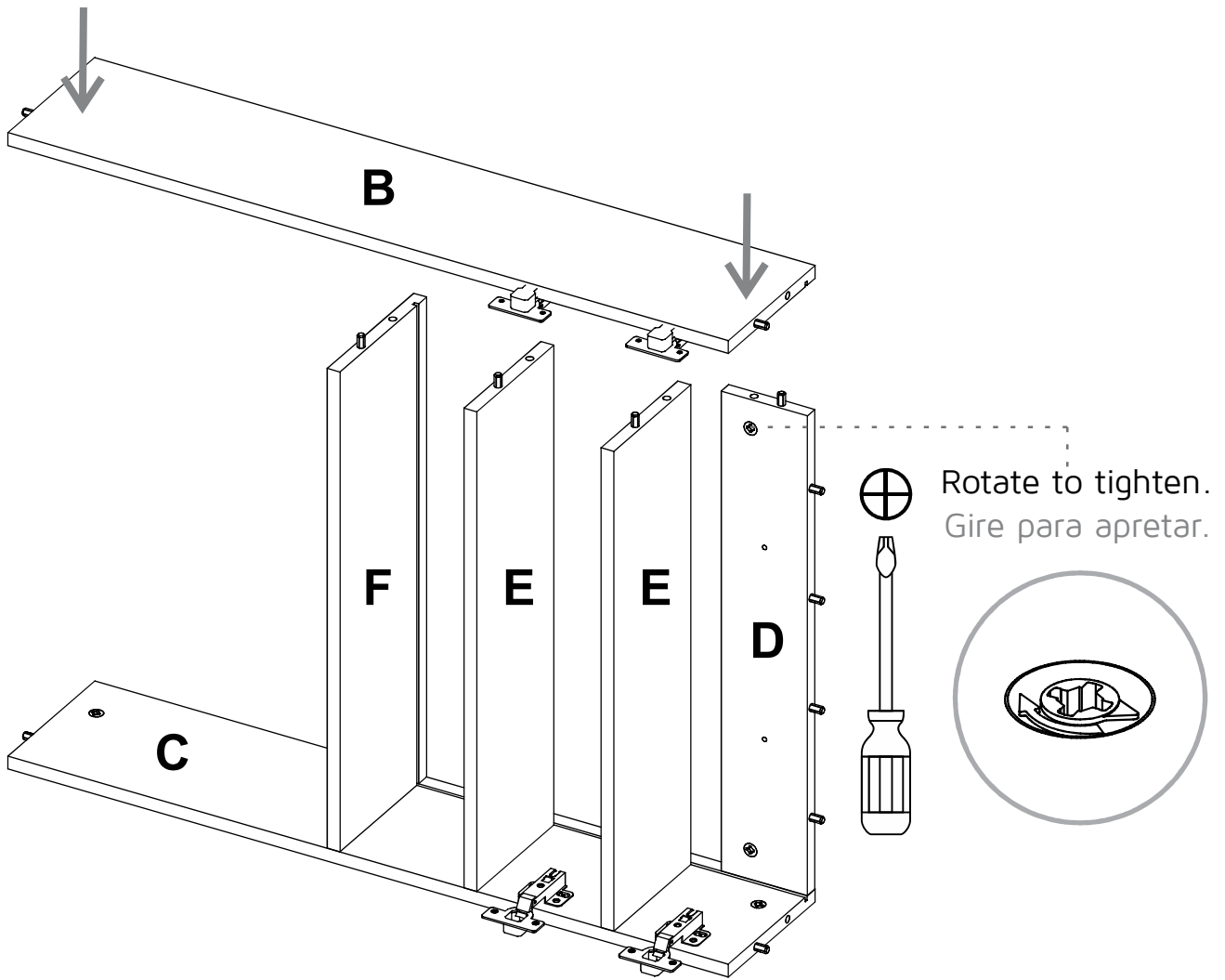
17



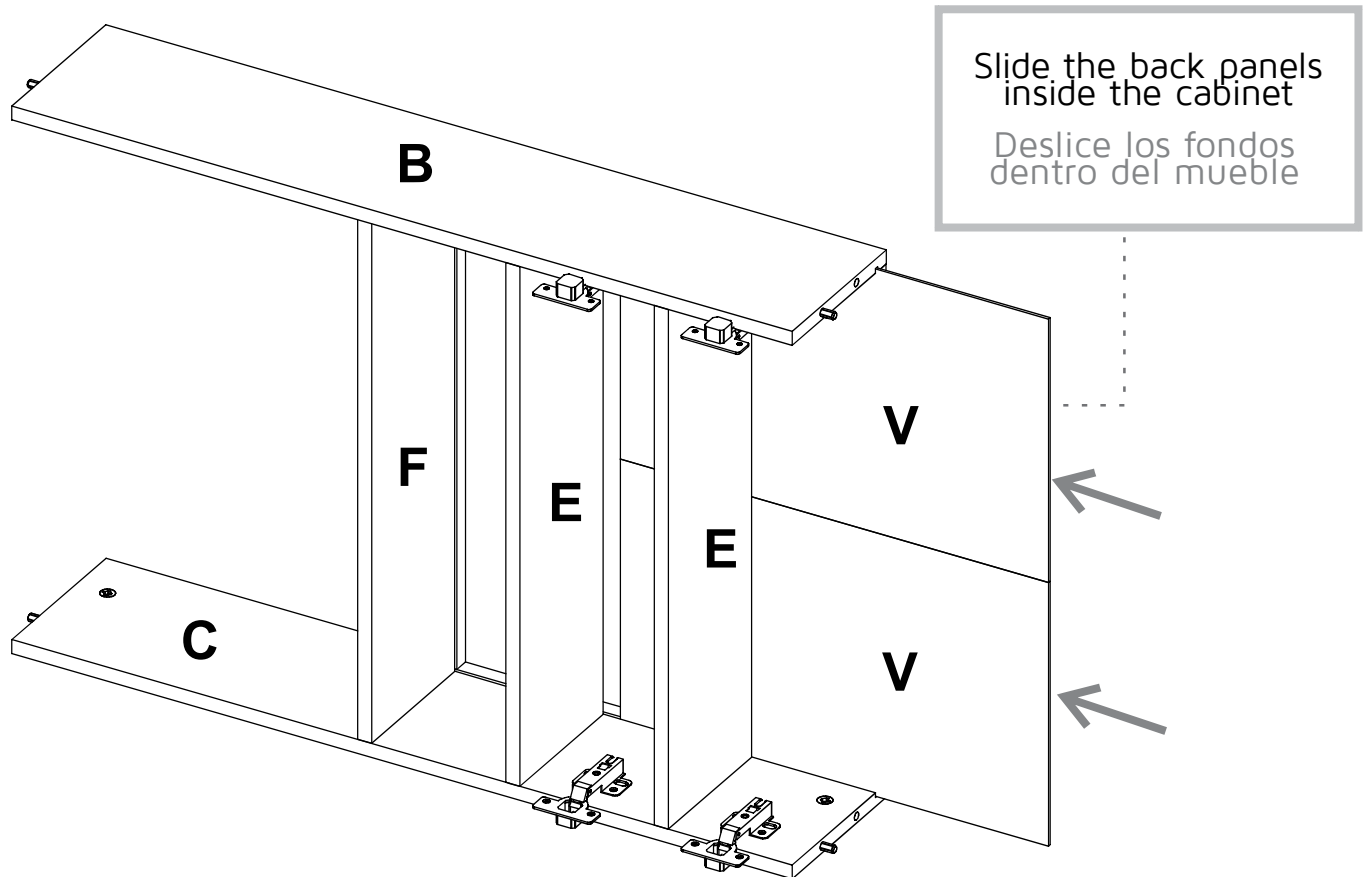
18



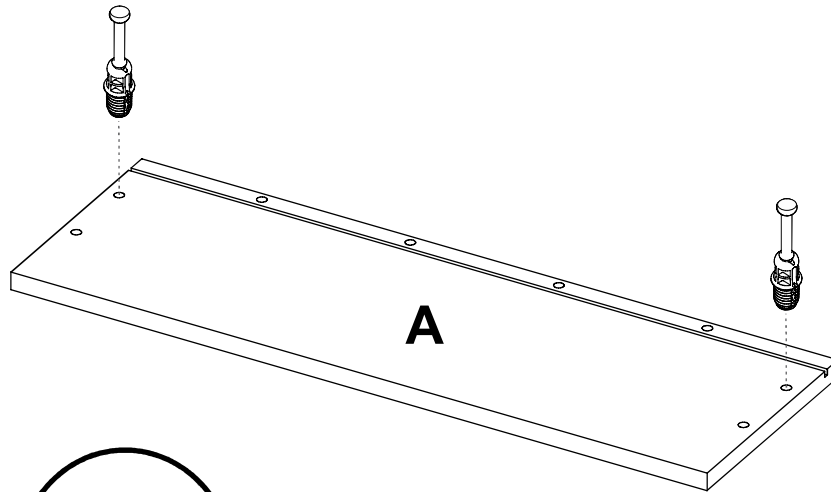
19



20



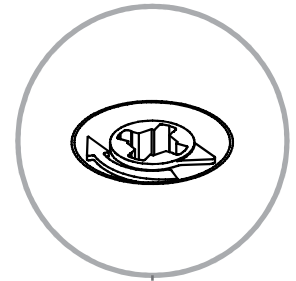
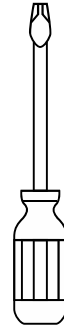
21



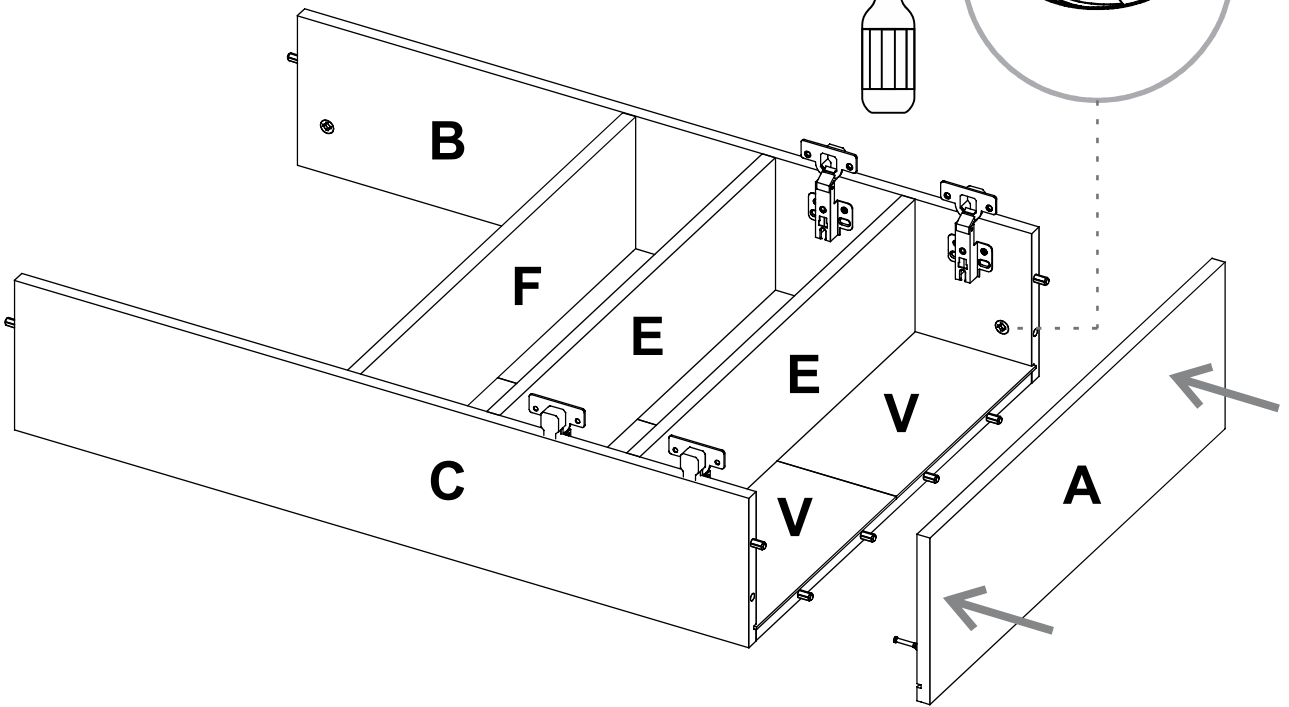
Turn Over
Voltrear

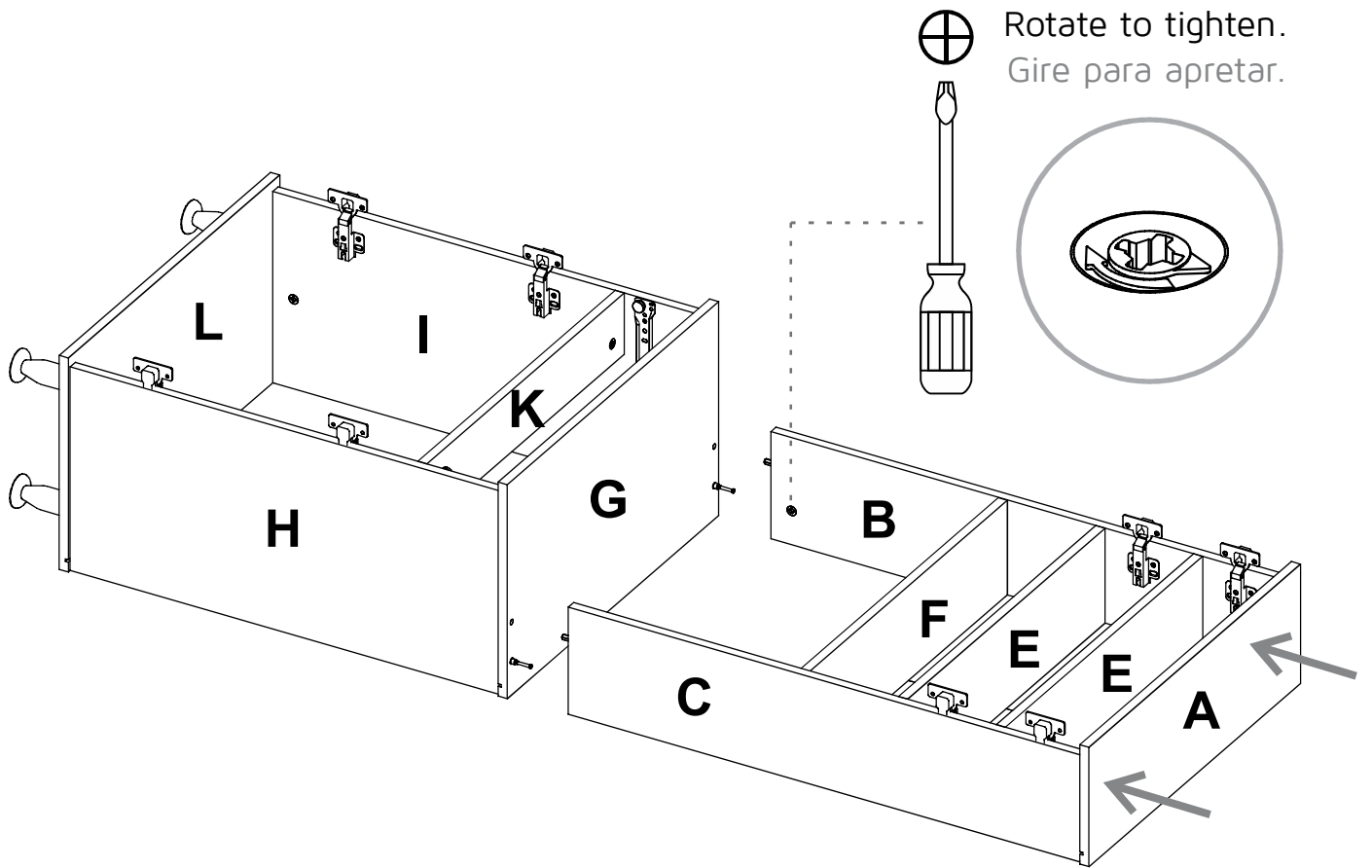


Rotate to tighten.
Gire para apretar.

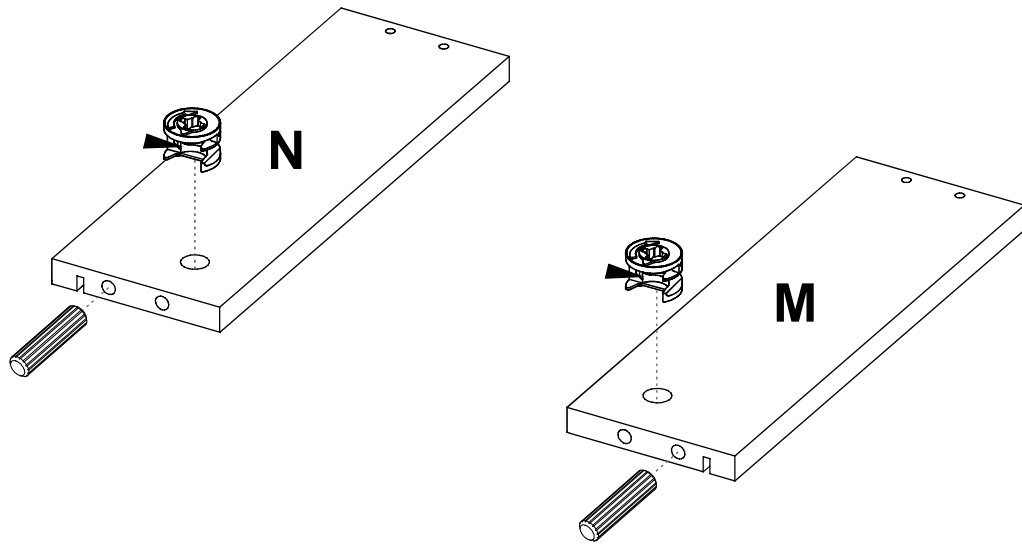


22

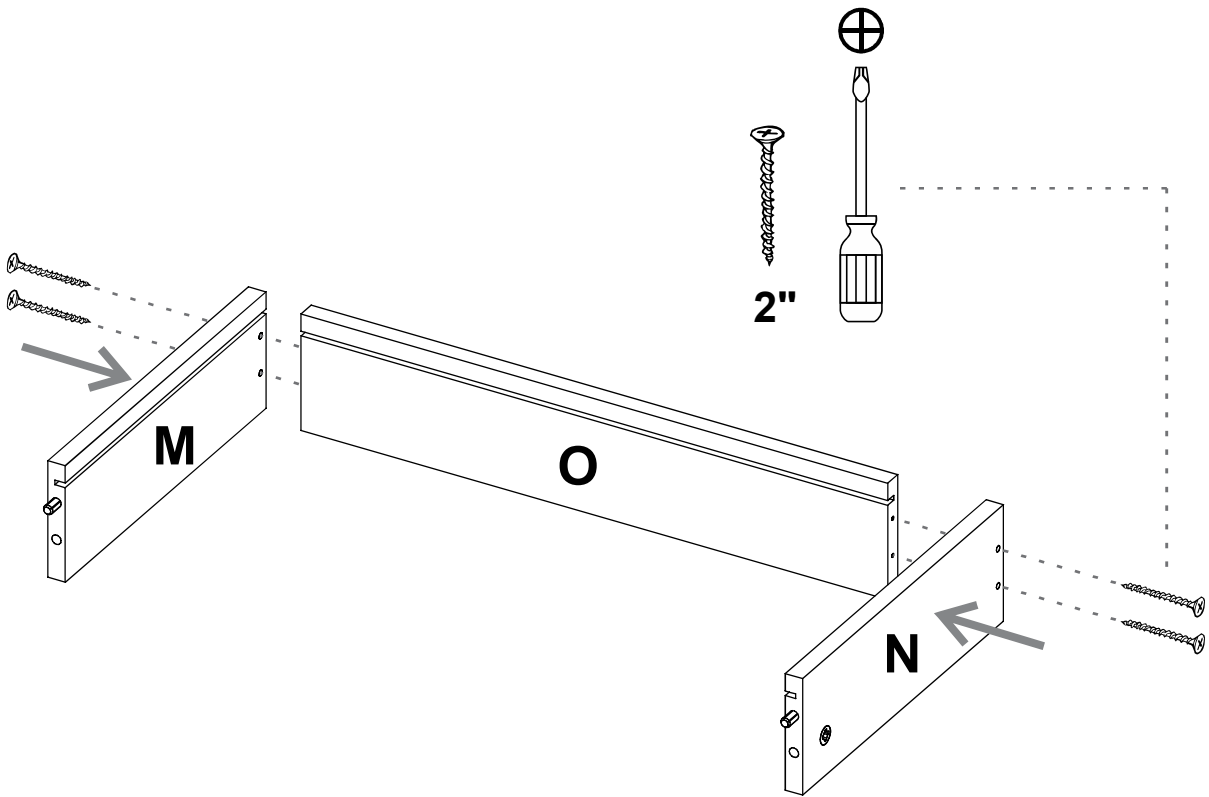




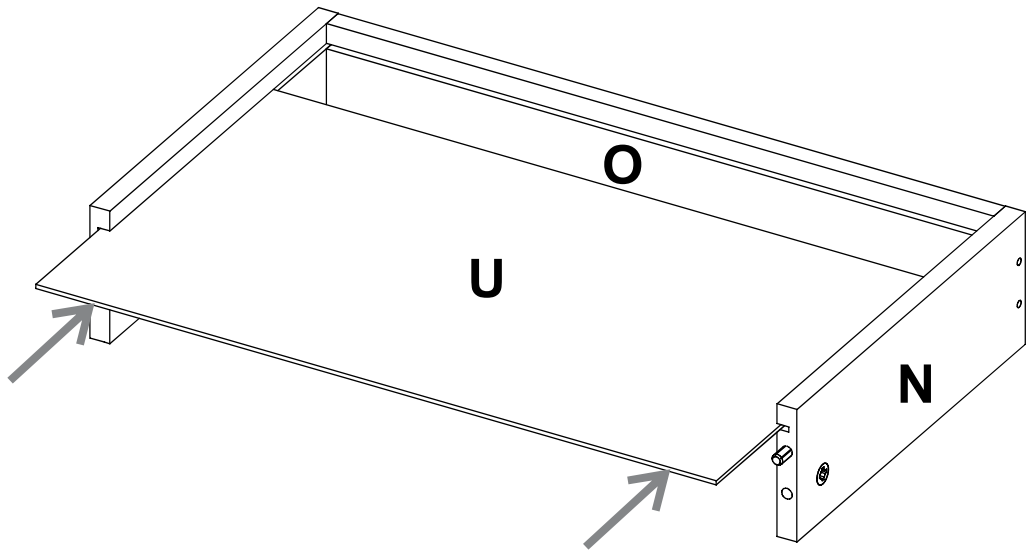
24



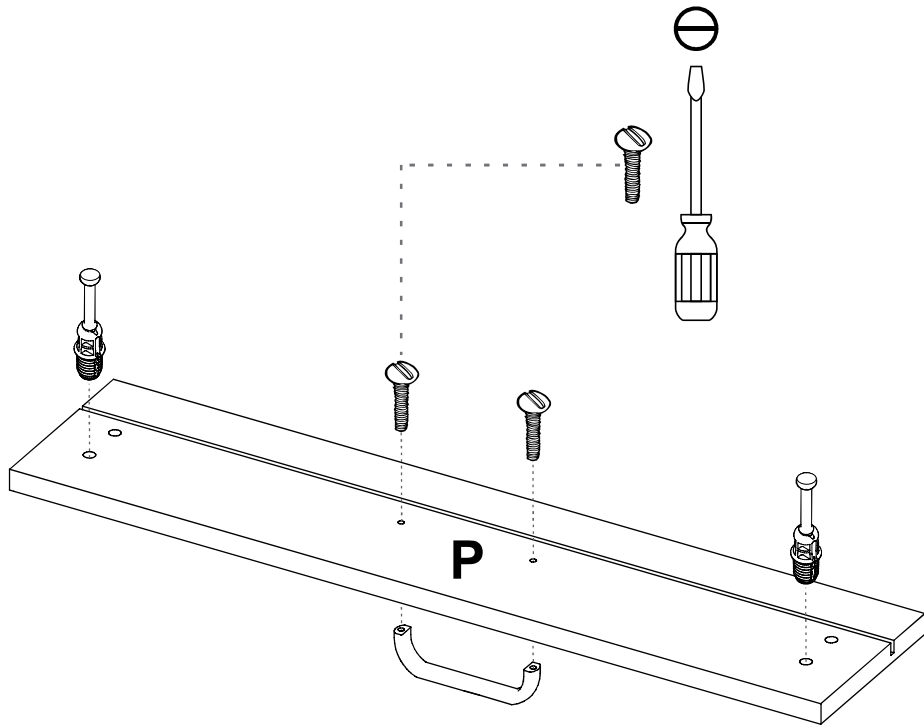
25



26



27

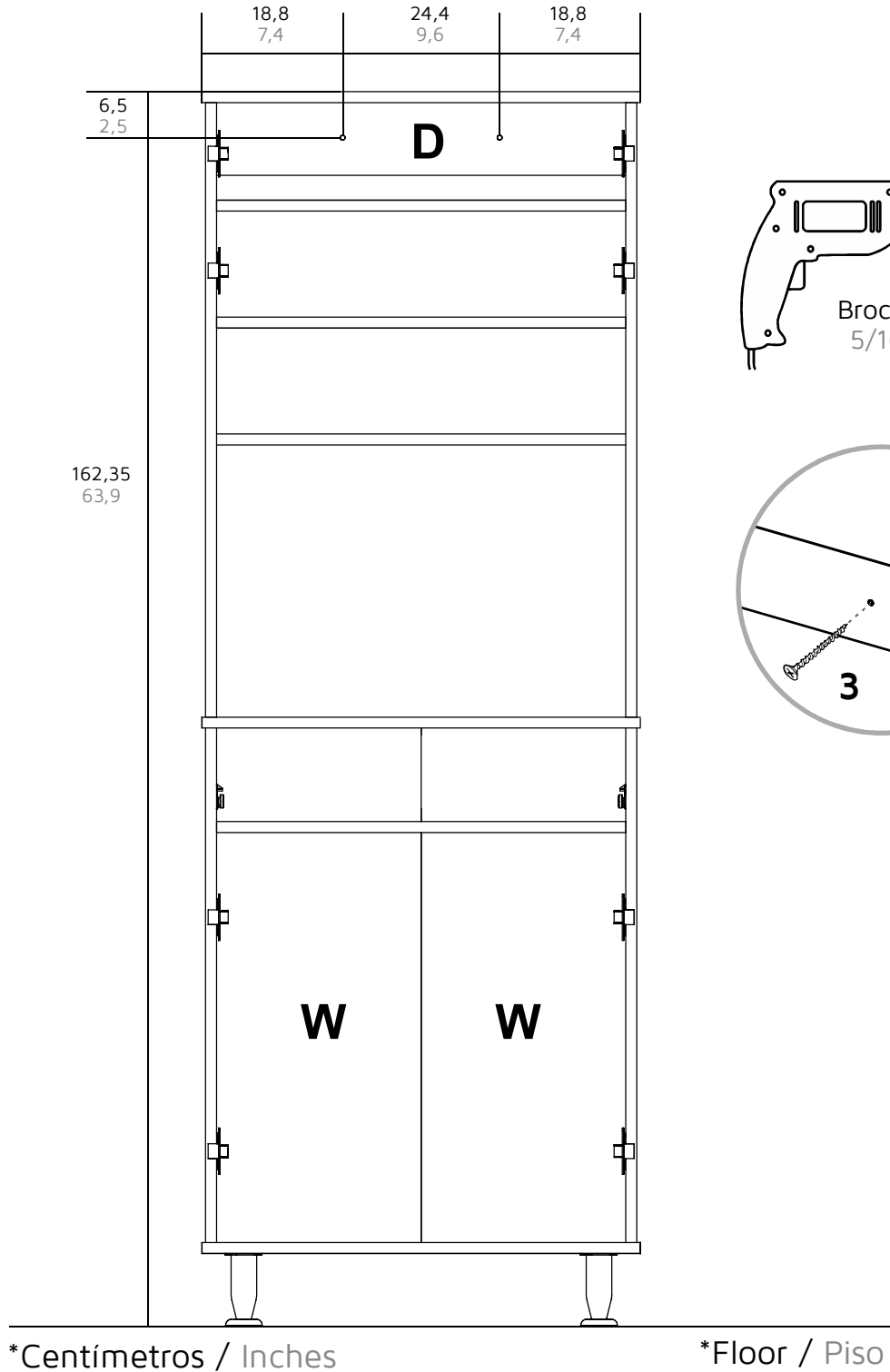


28

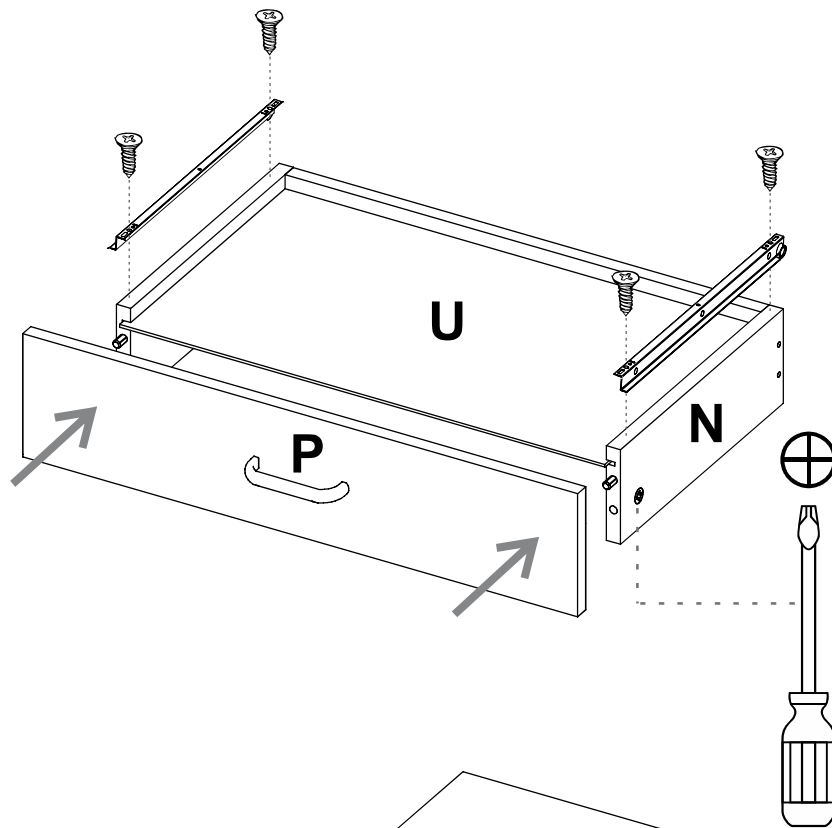
Be careful turning over the cabinet.
Tenga cuidado al voltear el mueble.



Fixing the cabinet to the wall
Instalación del mueble a la pared



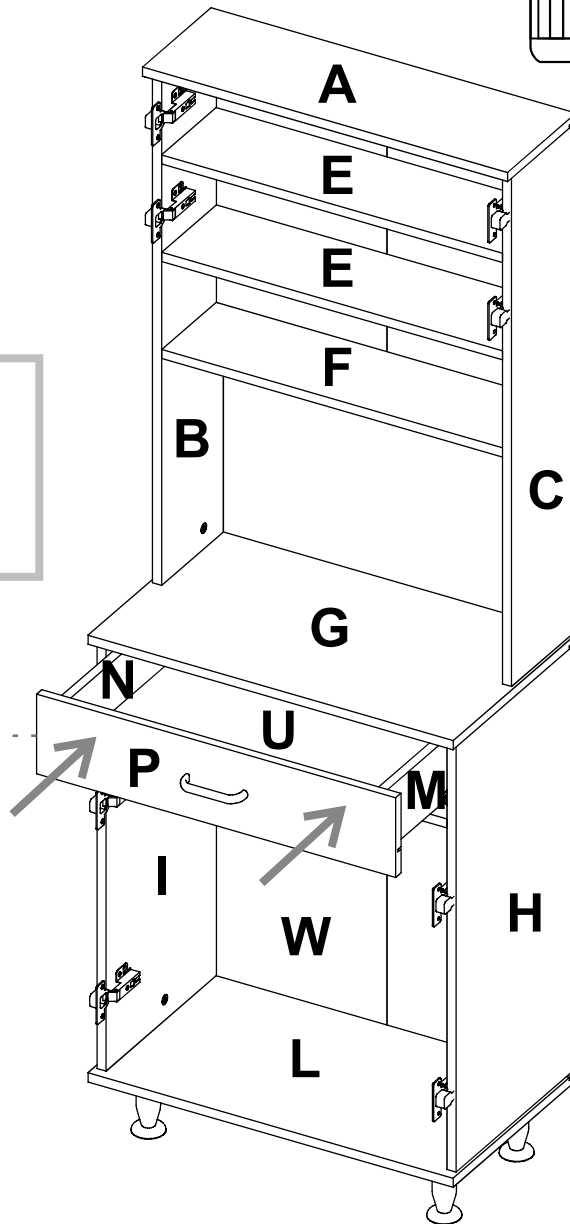
29

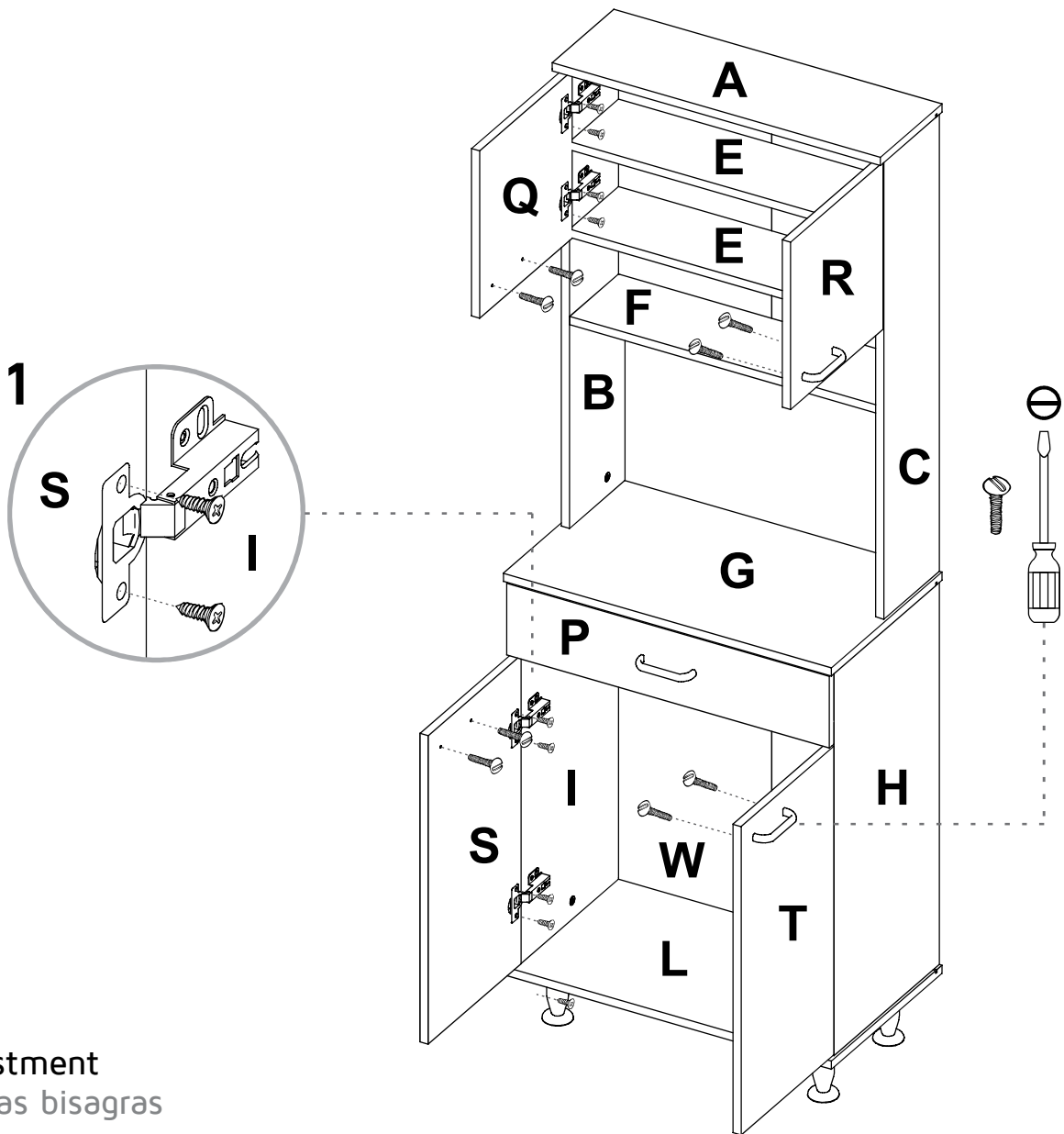


Rotate to tighten.
Gire para apretar.

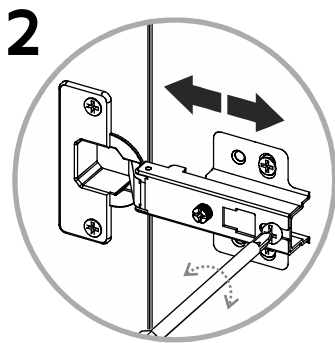
30

Slide the drawer
inside the cabinet
Deslice el cajón
dentro del mueble

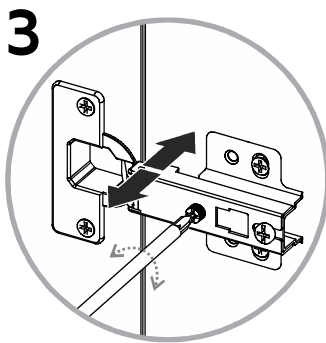




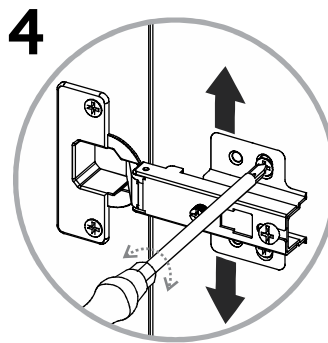
Hinge adjustment
Ajuste de las bisagras



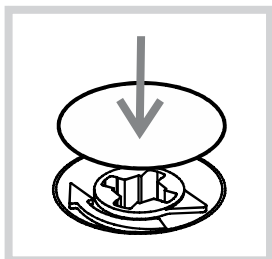
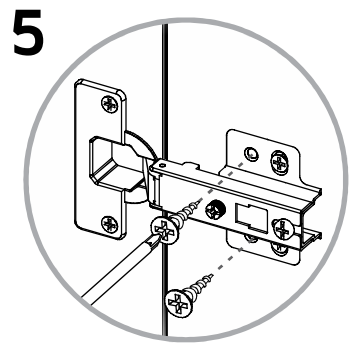
2
Depth adjustment
Ajuste de profundidad



3
Side adjustment
Ajuste lateral

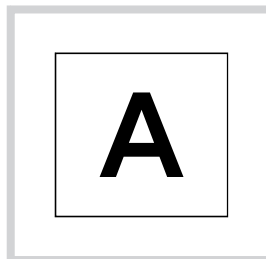


4
Height adjustment
Ajuste de altura



After you finish the adjustment of the cams, cover them with the cover caps.

Después de ajustar todas las cajas minifix, cúbralas con las tapas adhesivas.



After you finish assembling the cabinet, take off the adhesive letters.

Al terminar de armar, desprenda las letras adhesivas.

WARRANTY POLICY

PÓLIZA DE GARANTÍA

Furniture has a 3 year warranty coverage in wooden parts and 1 year warranty coverage in hardware pieces since its manufacturing date, which you can see in the lot number printed on the product box and the assembly instructions leaflet.

Warranty covers materials and workmanship imperfections which impair the assembly or correct functioning of the cabinet.

This warranty is not valid if the defects or imperfections are caused by the incorrect following of the assembly instructions, warnings and recommendations, misuse, intentional damage, fire or flood, or after modifications or any kind of alteration, or repaired by someone not authorized, when it's been assembled 3 months after the date of purchase. These defects **MUST** be reported before the warranty coverage period ends. Once the product has been assembled, the company will not be responsible for defective and/or damaged parts.

This warranty is **ONLY** valid for the **ORIGINAL PURCHASER**, it doesn't apply if the product has been resold, rented, etc.

Furniture will take no liability for incidental or consequential damages caused to or by the product (This may not apply in your state).

To make this warranty valid you must write to our customer service email describing the product defect, lot number and submitting your sales receipt or proof of purchase, or contact us at our customer service line. Replaced parts will be under the product's original warranty coverage period. Damaged parts will become property of the company.

There are no other warranties applicable to this product.

**IF ANY PARTS ARE BROKEN OR
MISSING PLEASE CONTACT US**
AT: 1-888-391-01-66 /
customerservicetuhome@rta.com.co
**OUR CUSTOMER SERVICE TEAM WILL PROVIDE
YOU HELP TO RESOLVE ANY ISSUES IMMEDIATELY**