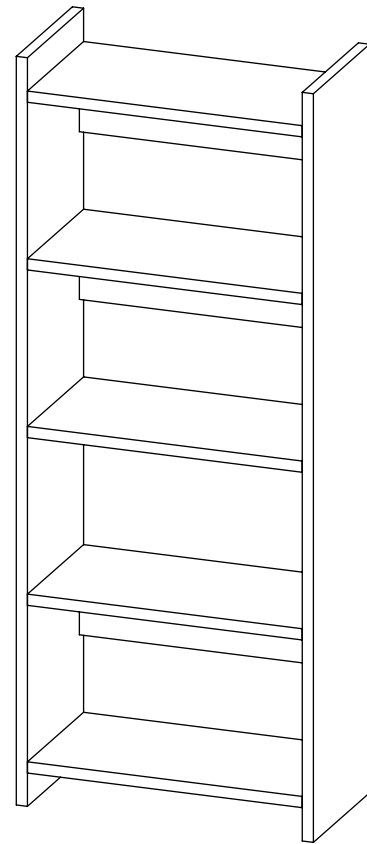




ESCRITORIO / DESK

Height: 29,80 in Alto: 75,7 cm
Width: 31,50 in Ancho: 80 cm
Depth: 15,87 in Fondo: 40,3 cm



BILBIOTECA / BOOKCASE

Height: 39,65 in Alto: 100,7 cm
Width: 15,75 in Ancho: 40 cm
Depth: 7,87 in Fondo: 20 cm

LOT N°

REF./SKU. CLW5593

IF ANY PARTS ARE BROKEN OR MISSING PLEASE
CONTACT US AT: 1-888-391-01-66 /
customerservicetuhome@rtā.com.co
OUR CUSTOMER SERVICE TEAM WILL PROVIDE
YOU HELP TO RESOLVE ANY ISSUES IMMEDIATELY

VIZCAYA HOME OFFICE SET
Combo de Oficina en Casa Vizcaya



IMPORTANT RECOMMENDATIONS

Do not paint the cabinet.

The cabinet **MUST** be used exclusively indoors, do not expose to direct sun.

Clean metallic hardware with a dry cloth.

Do **NOT** overload the cabinet (see suggested loads).

Do not hit or hammer the cabinet (just when indicated).

Clean with a slightly damp cloth, use gentle soaps.

Do not drag, lift and move between two people.

Avoid direct contact with water, fire or exposure to heat sources.

RECOMENDACIONES IMPORTANTES

No pintar el mueble.

El mueble debe ser usado únicamente en interiores, no exponer al sol directo.

Limpiar los herrajes metálicos con un paño seco.

NO sobrecargar el mueble (ver las cargas sugeridas).

No golpear ni martillar el mueble (solo cuando se indique).

Limpiar con un paño ligeramente húmedo, usar jabones suaves.

No arrastre el mueble, levántelo entre dos personas.

Evite el contacto directo con el agua, el fuego o la exposición a fuentes de calor.



WARNING

Never allow children to climb or manipulate the cabinet, furniture tip over can cause serious injuries or death.



ADVERTENCIA

Nunca permita que los niños escalen o manipulen el mueble, la caída de este puede provocar lesiones graves o la muerte.

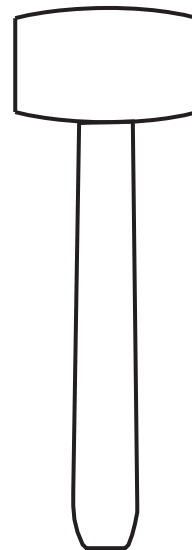
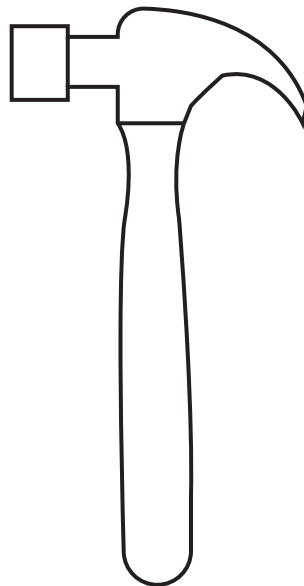
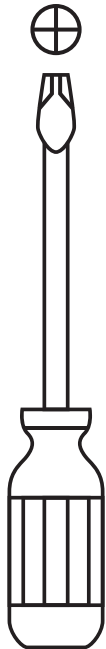
INDEX

ÍNDICE

Assembly Hardware	4	Herrajes para Armado.....	4
Assembly Parts	5	Piezas de Armado.....	5
Suggested Loads.....	6	Cargas Sugeridas.....	6
Assembly Recommendations.....	6	Recomendaciones de Ensamble.....	6
Assembly Steps	7-19	Pasos de Armado.....	7-19
Warranty.....	20	Garantía	20

REQUIRED TOOLS*

HERRAMIENTAS NECESARIAS*



*Not included, and not shown actual size.

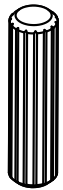
*No incluidas y no se muestran en tamaño real.

ASSEMBLY HARDWARE

HERRAJES PARA ARMADO

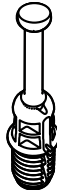
Please check that the hardware content is correct. If any item is missing, please call to our customer service line.

Compruebe que el contenido de los herrajes sea el correcto. En caso de que falte alguna pieza, por favor llame a nuestra línea de atención al cliente.



x43

Wood Dowel
Tarugo



x39

Spreading Bolt
Perno Minifix



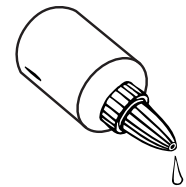
x39

Minifix Cams
Minifix



x41

Cover Caps
Tapa Adhesiva
Minifix



x2

Glue
Pegante



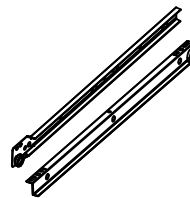
x1

Handle
Manija



x2

Handle Screw
Tornillo Manija



x1

Drawer Slides
Riel



x8

Sheet Screw
Tornillo Lámina



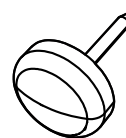
x3

1 1/8" Drywall Screw
Tornillo de
Ensamble 1 1/8"



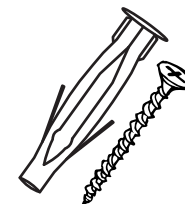
x4

2" Drywall Screw
Tornillo de
Ensamble 2"



x10

Nail-On Glide
Deslizador Puntilla



x2

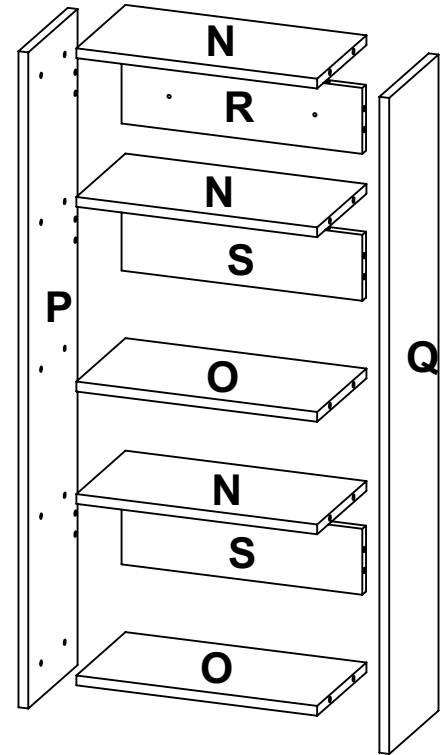
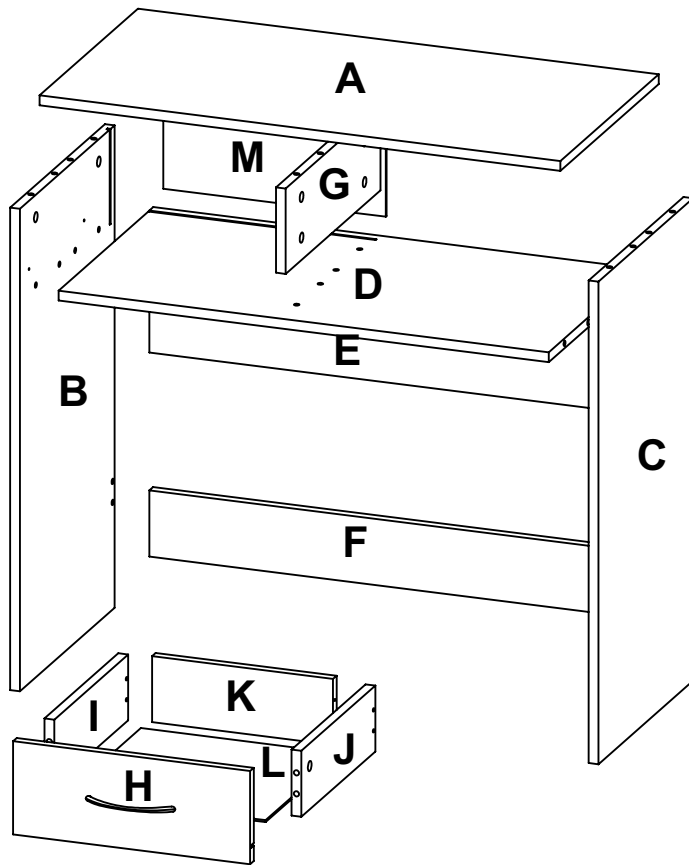
Wall Anchor +
2 1/2" Screw
Chazo Nylon +
Tornillo 2 1/2"

Hardware items are NOT shown actual size.

Los herrajes no se muestran en el tamaño real.

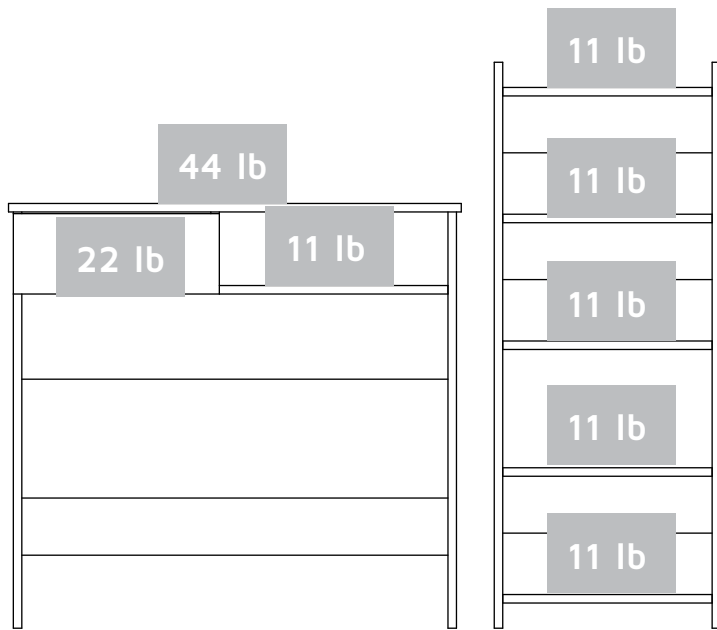
ASSEMBLY PARTS

PIEZAS DE ARMADO

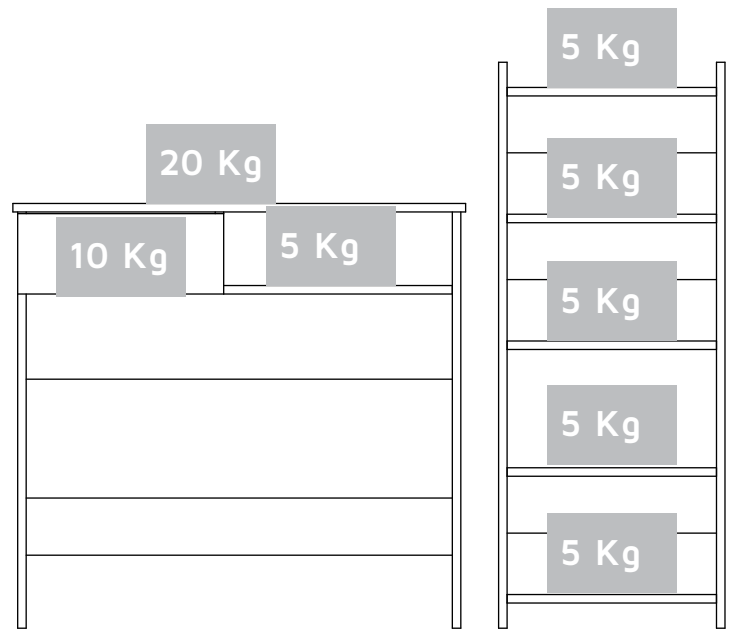


A - x1	G - x1	M - x1
B - x1	H - x1	N - x3
C - x1	I - x1	O - x2
D - x1	J - x1	P - x1
E - x1	K - x1	Q - x1
F - x1	L - x1	S - x2

MAX SUGGESTED LOADS



CARGAS MÁXIMAS SUGERIDAS



ASSEMBLY RECOMMENDATIONS

Two people are recommended to assemble the product.

Assemble the cabinet on a flat, smooth surface, preferably on a carpeted floor or the carton box of the product.

Carefully read the assembly instructions and identify every wood and hardware part before start assembling the cabinet.

RECOMENDACIONES DE ENSAMBLE

Ensamble el mueble entre dos personas.

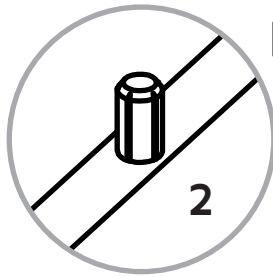
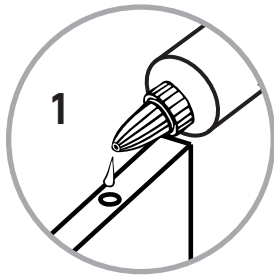
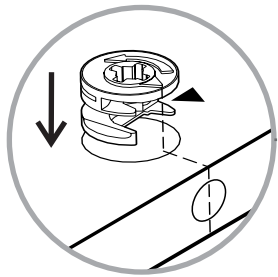
Ensamble el mueble sobre una superficie plana y lisa, preferiblemente sobre un tapete o el cartón de la caja

Lea cuidadosamente las instrucciones e identifique todas las piezas y herrajes antes de empezar a armar el mueble.

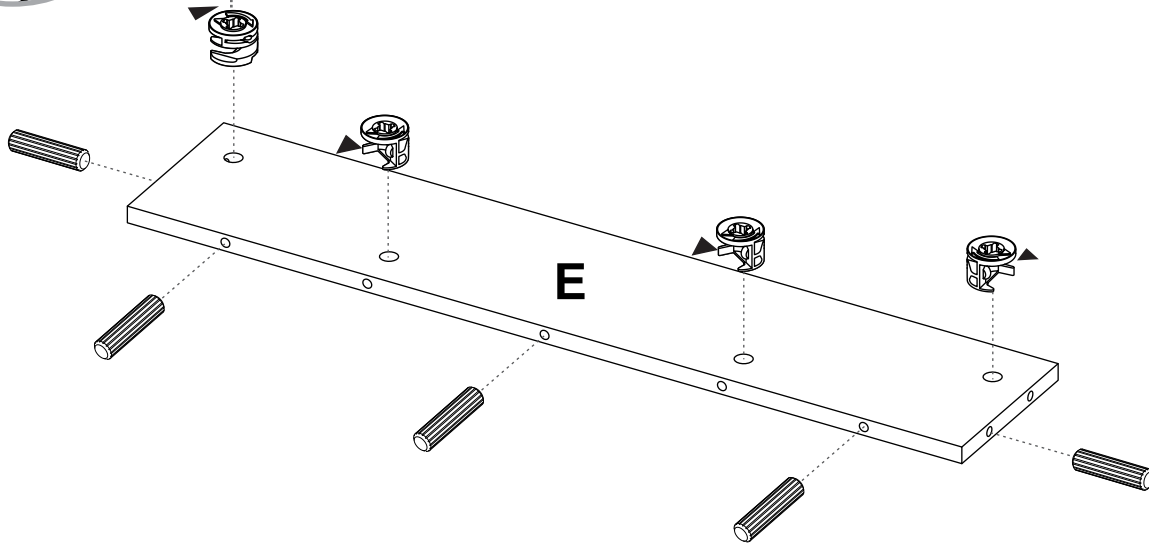
1



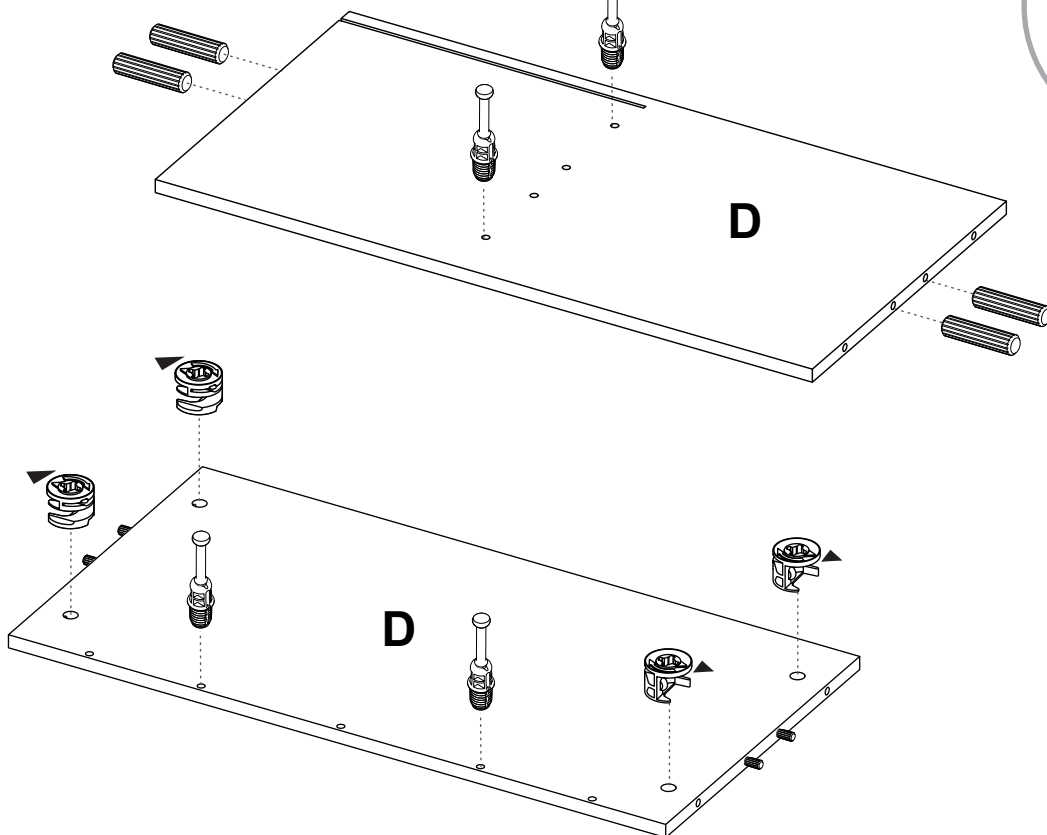
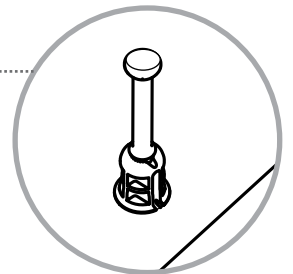
IT IS RECOMMENDED TO ASSEMBLE THE PRODUCT BETWEEN TWO PEOPLE / SE RECOMIENDA ARMAR EL MUEBLE ENTRE DOS PERSONAS



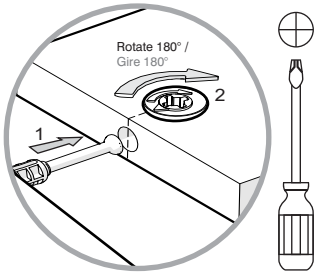
Gently hit to adjust. Repeat this process in the following steps
Golpee suavemente para ajustar. Repita este proceso en los pasos siguientes.



2

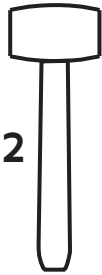
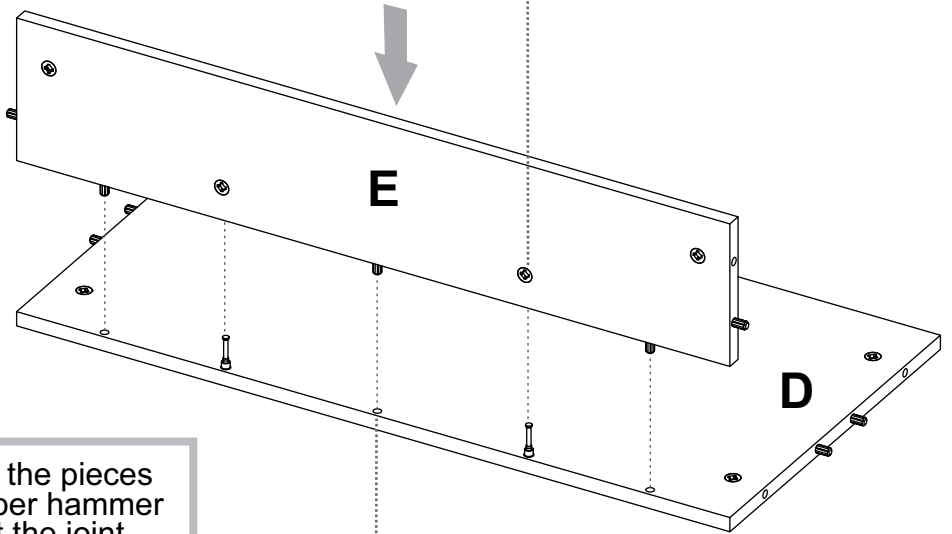


3



Turn minifix cams to
the right to tighten.

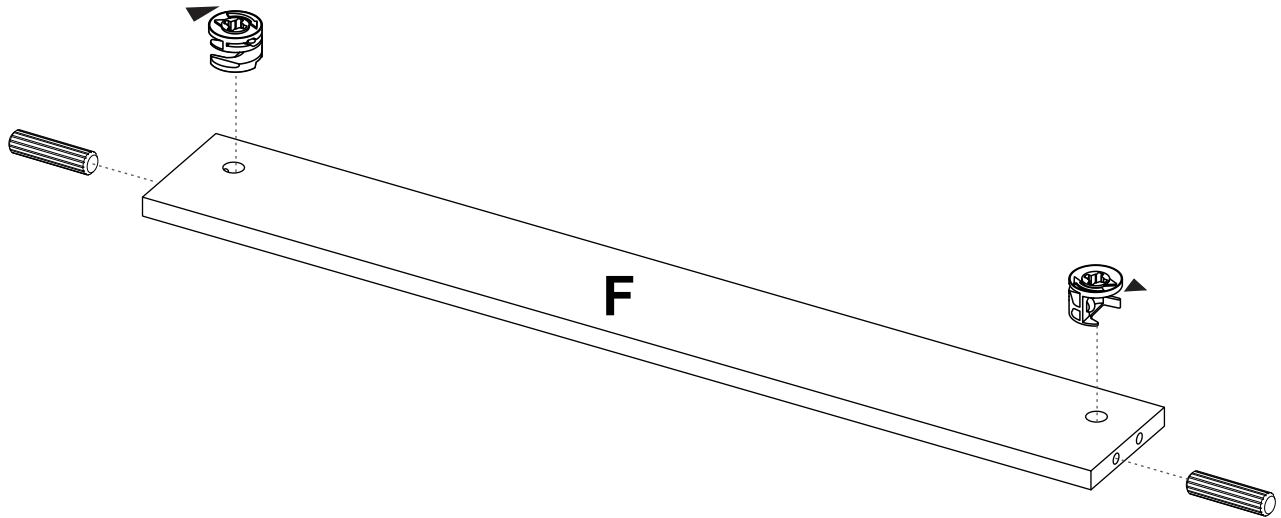
Gire las cajas minifix
hacia la derecha para
apretar las piezas.



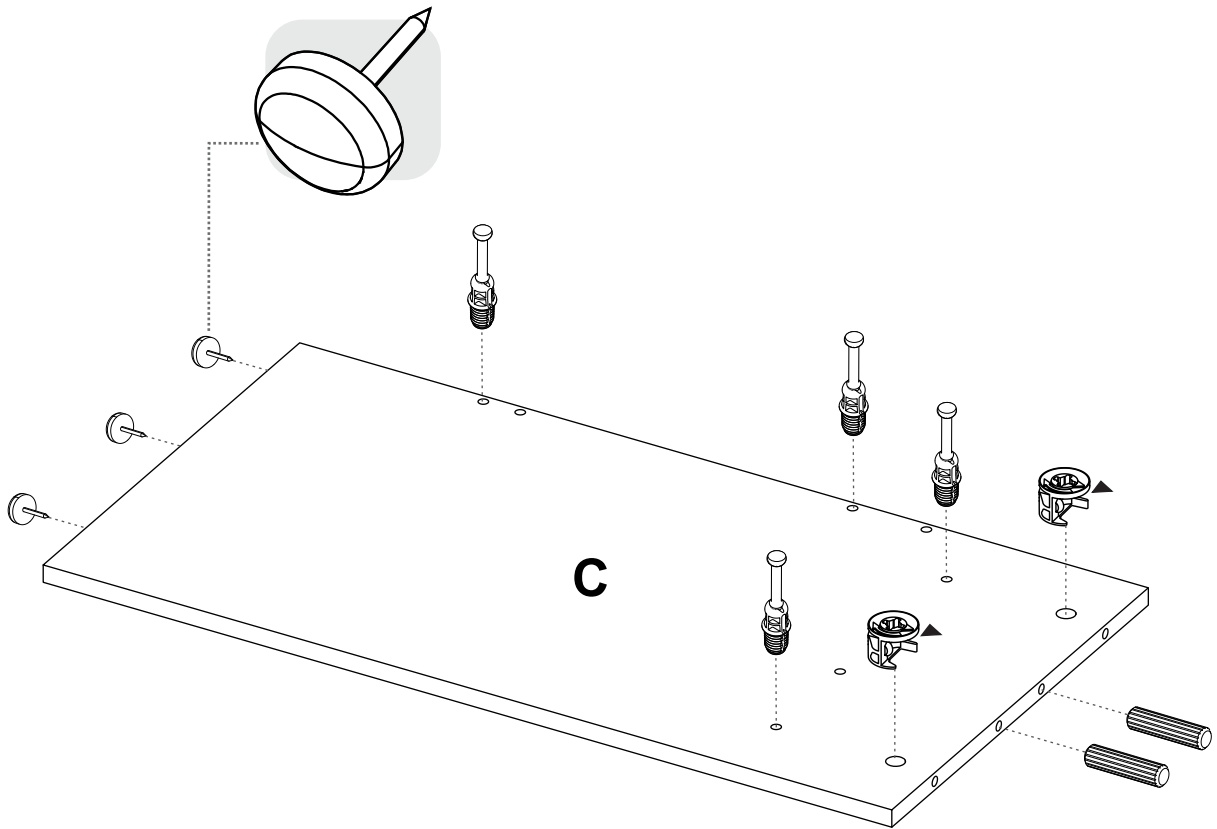
Gently hit the pieces
with a rubber hammer
to adjust the joint.

Golpee suavemente la
pieza con un martillo
de goma para ajustar
el ensamble.

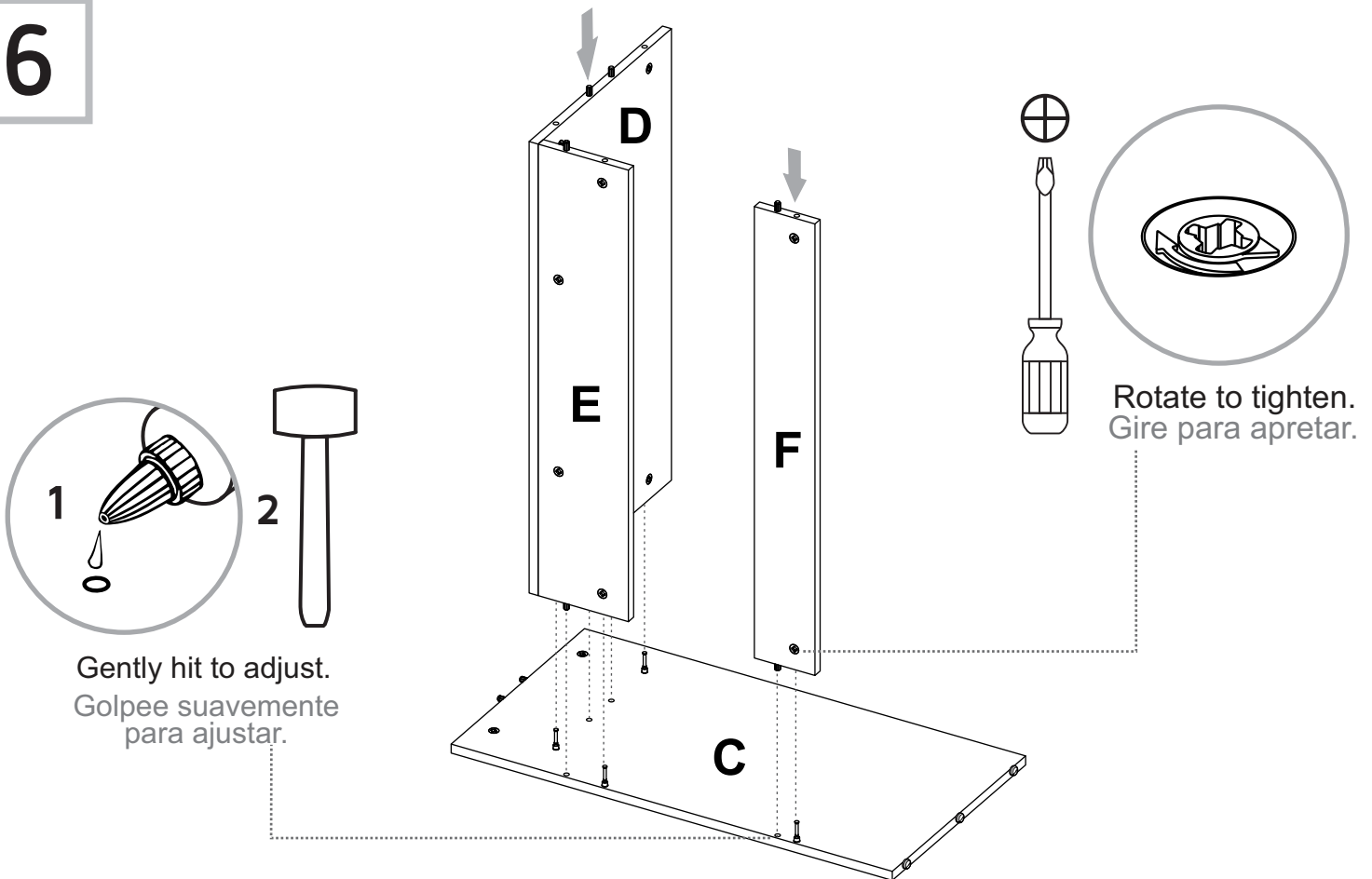
4



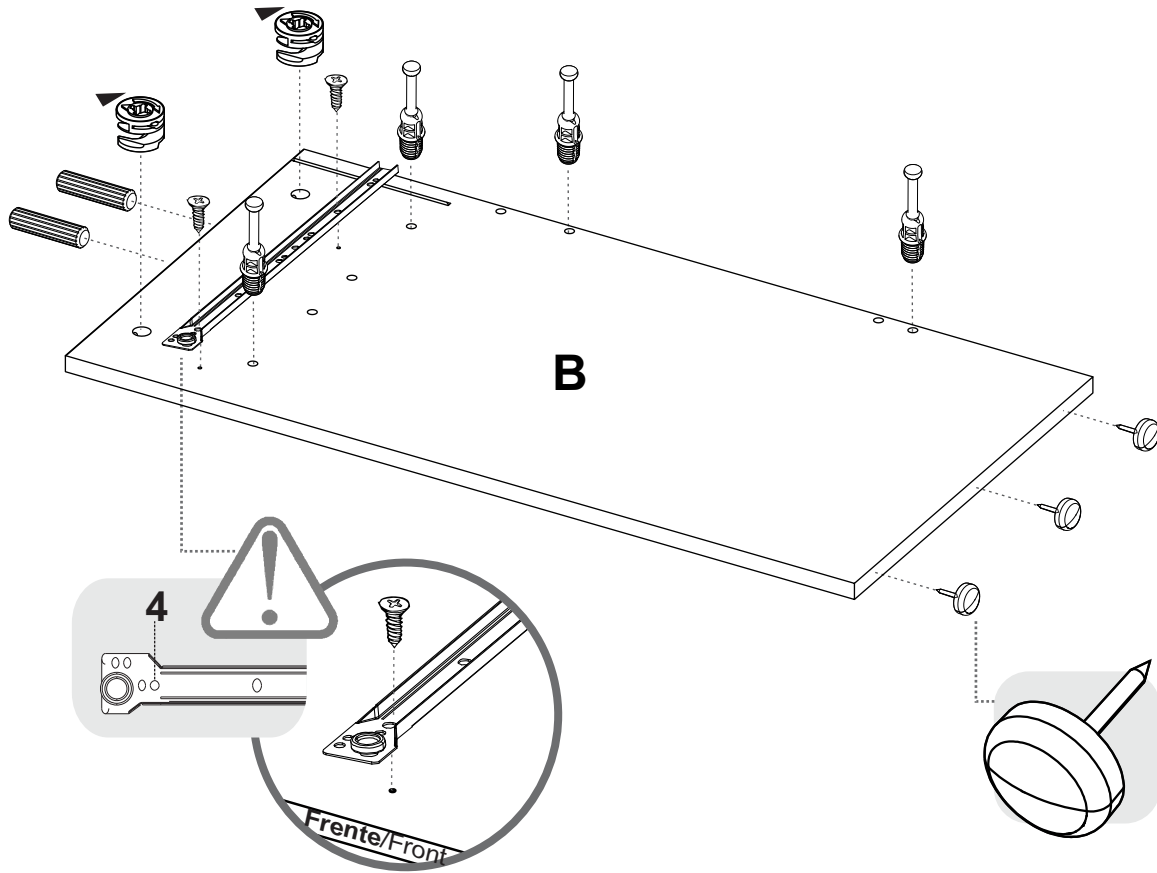
5



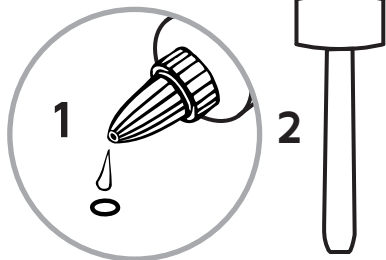
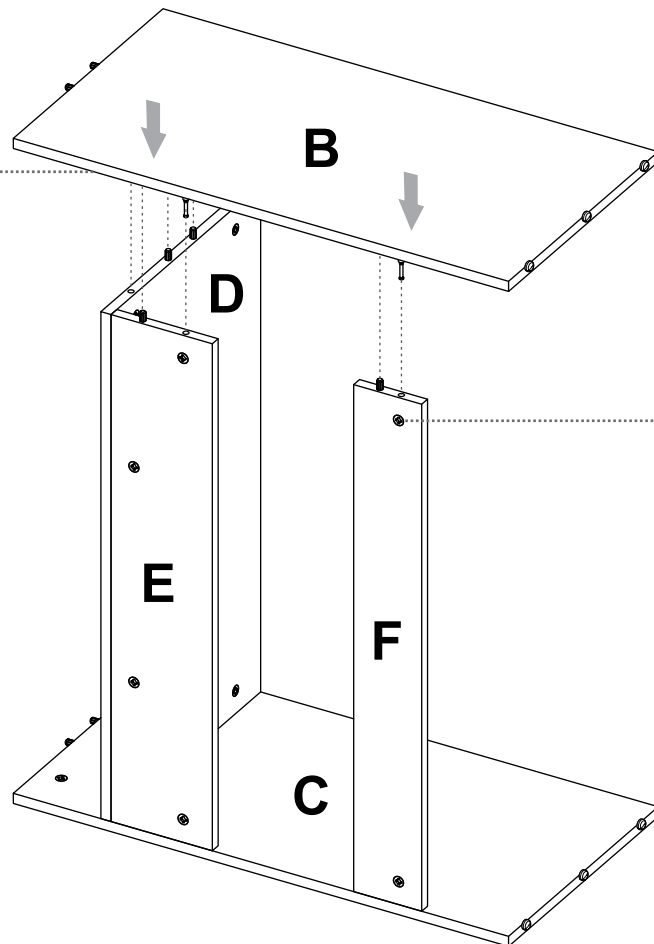
6



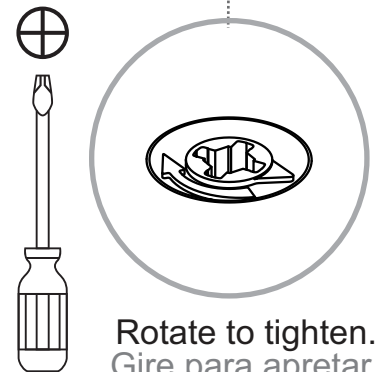
7



8



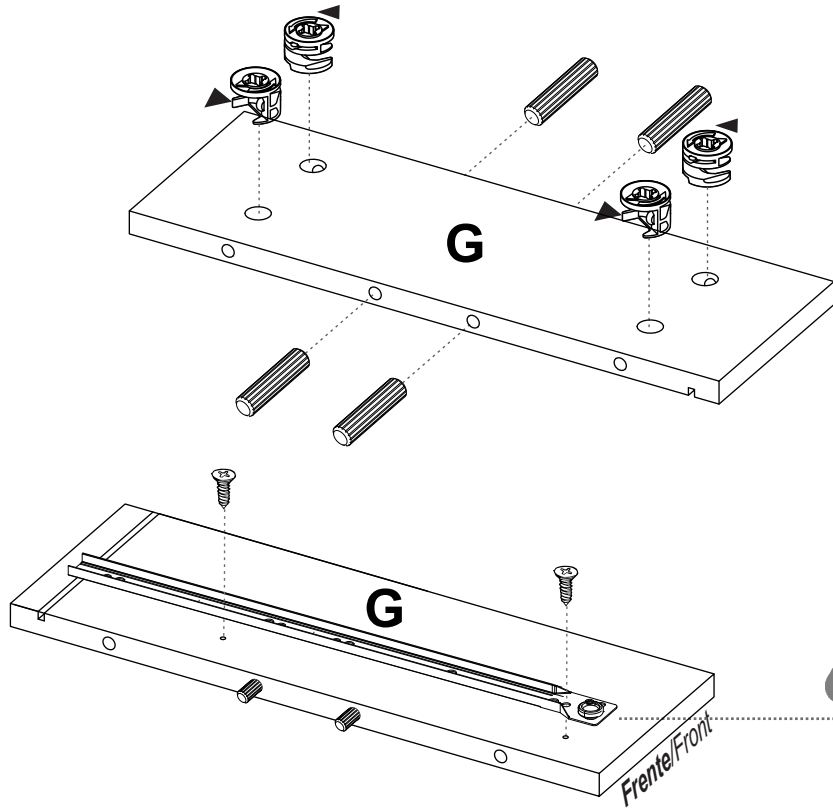
1 Gently hit to adjust.
Golpee suavemente
para ajustar.



2 Rotate to tighten.
Gire para apretar.

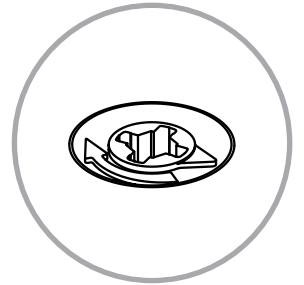
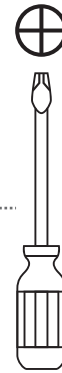
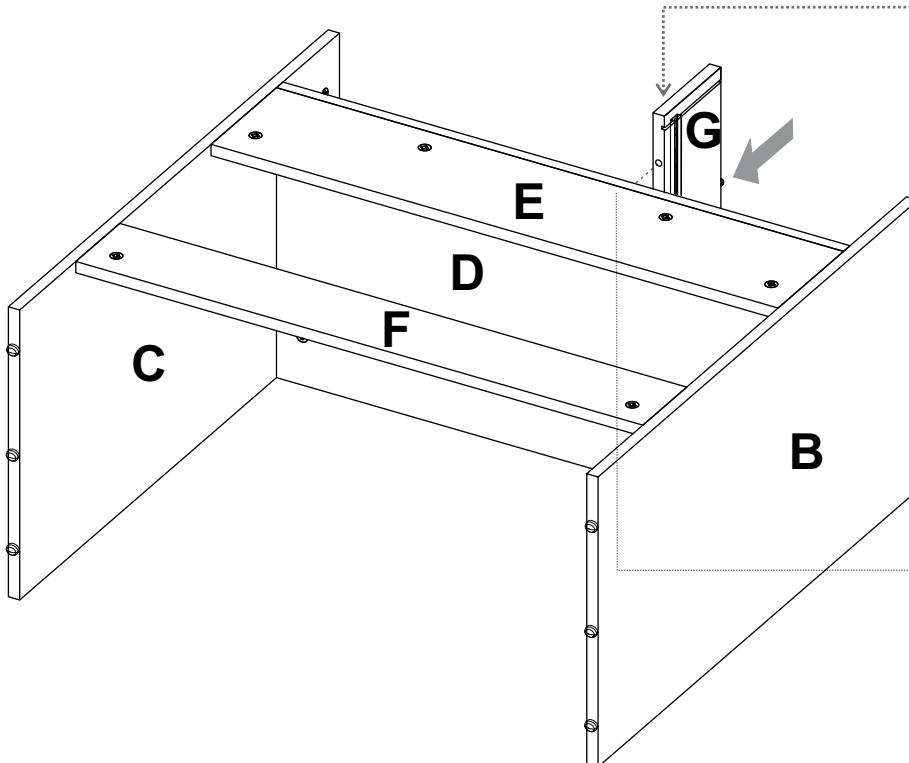
9

Rotate
Voltear

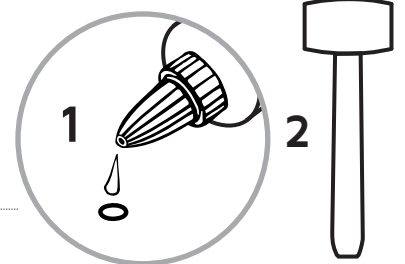


10

CAREFULLY FLIP THE FURNITURE /
VOLTEAR EL MUEBLE CUIDADOSAMENTE

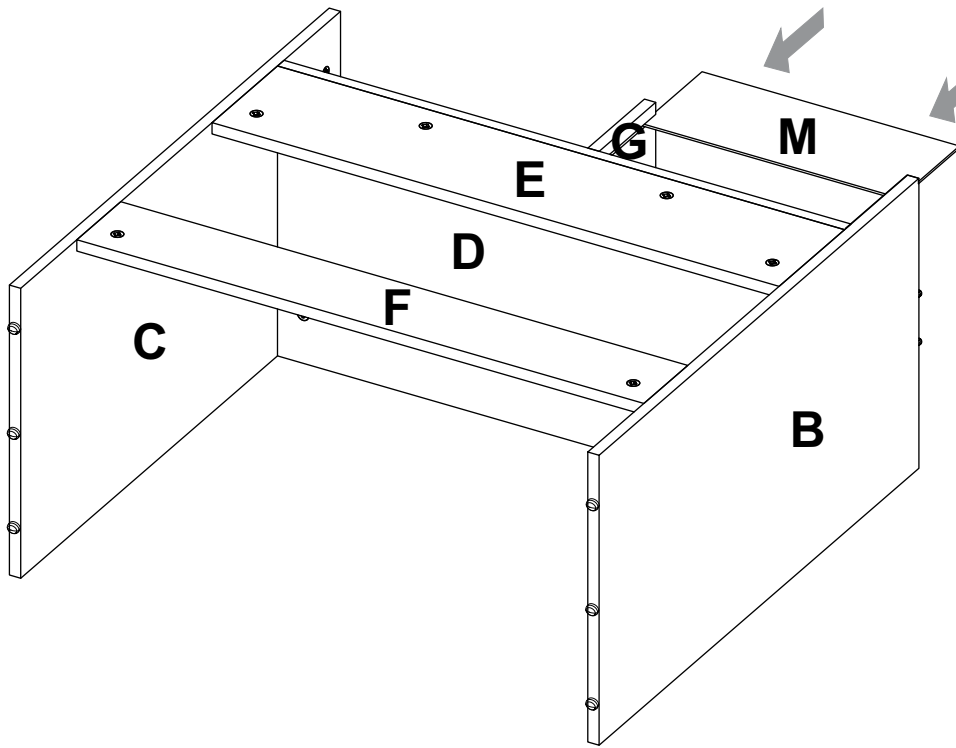


Rotate to tighten.
Gire para apretar.



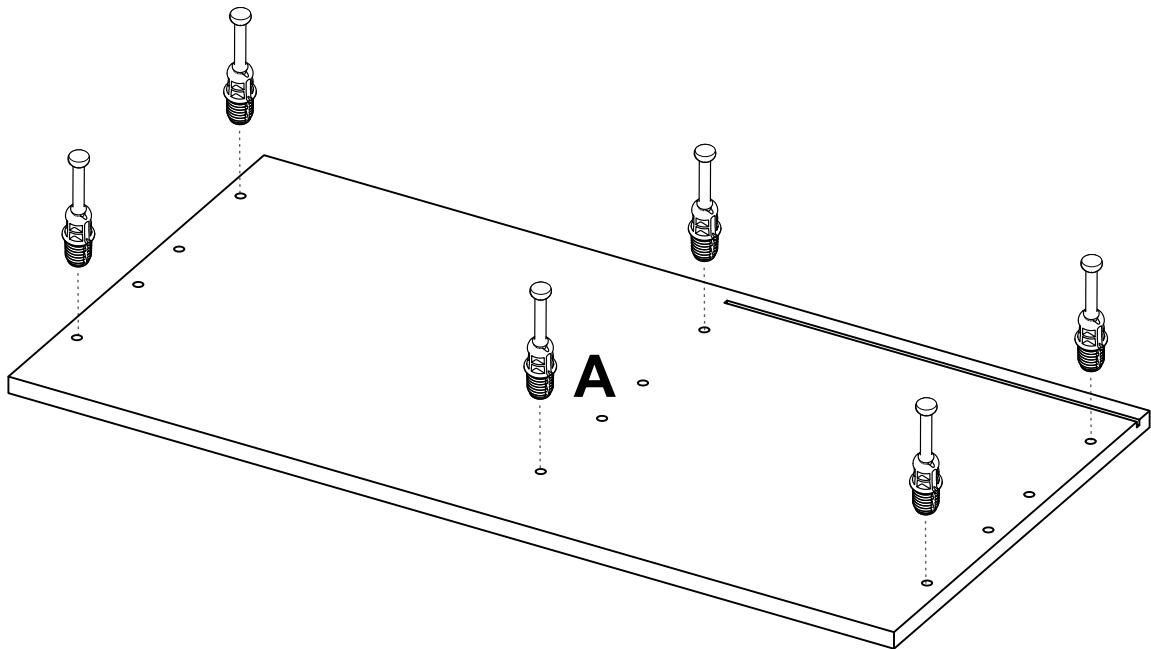
Gently hit to adjust.
Golpee suavemente
para ajustar.

11

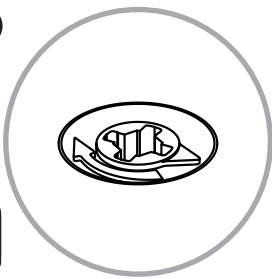


Slide the backpanels
inside the cabinet.
Deslice los fondos
dentro del mueble.

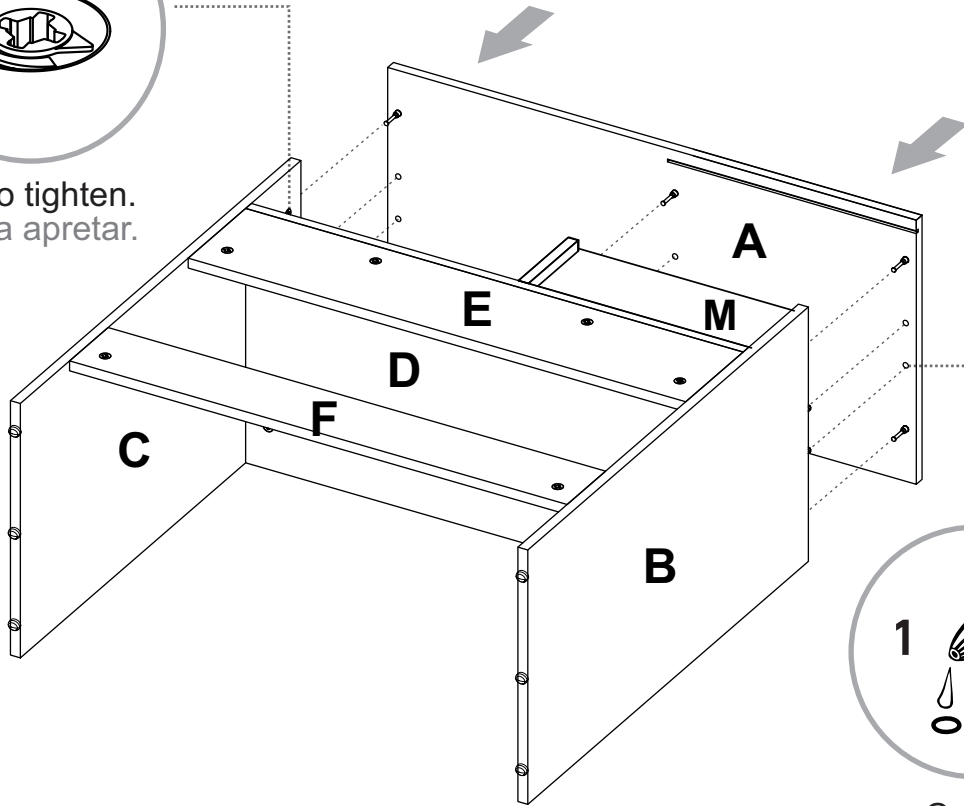
12



13

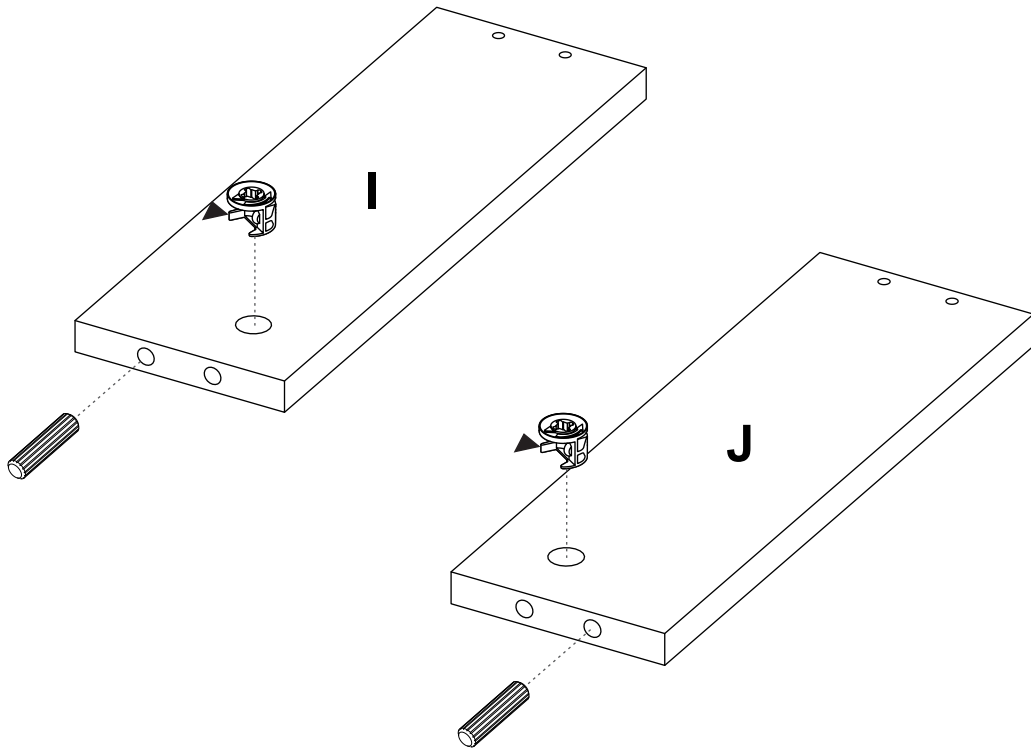


Rotate to tighten.
Gire para apretar.

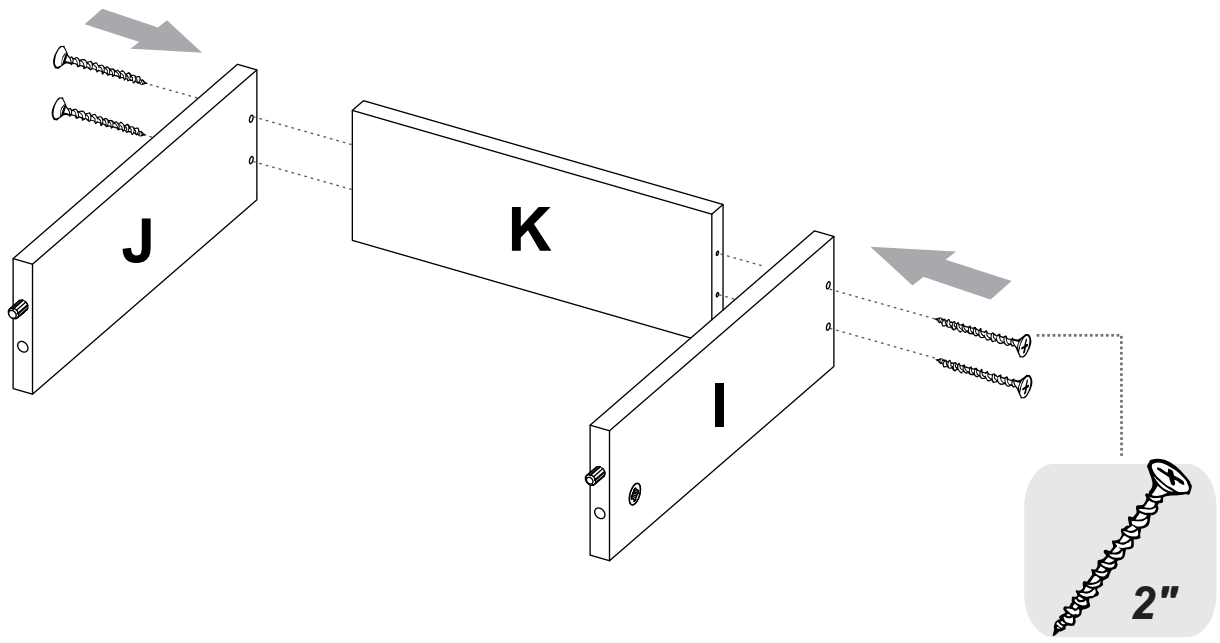


Gently hit to adjust.
Golpee suavemente para ajustar.

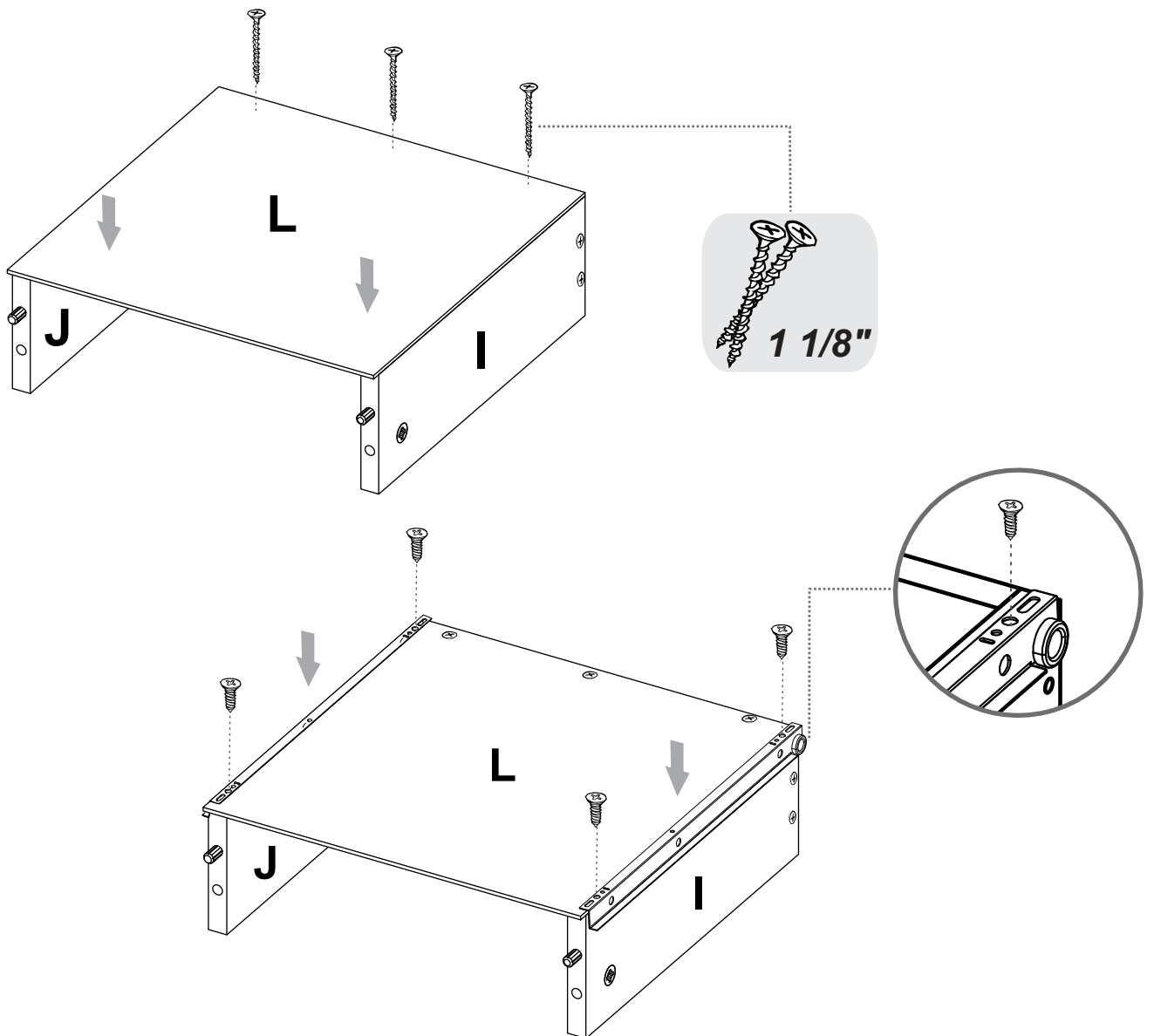
14



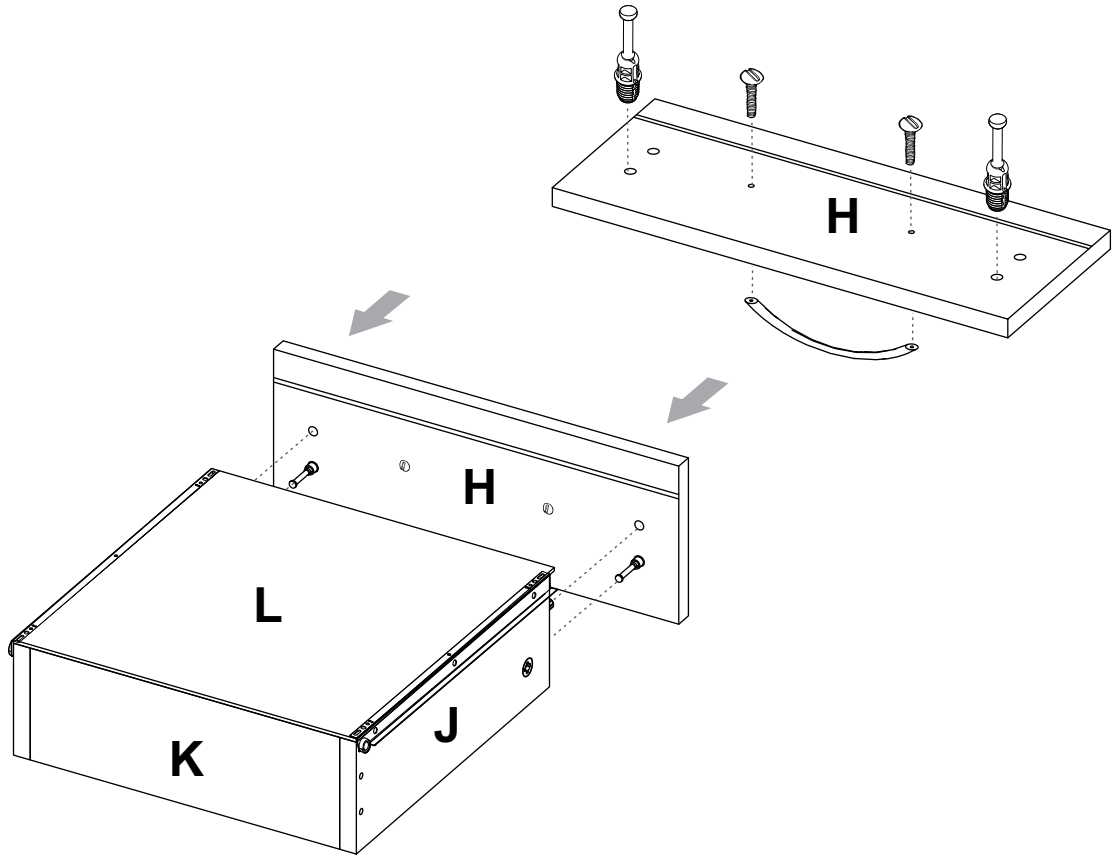
15



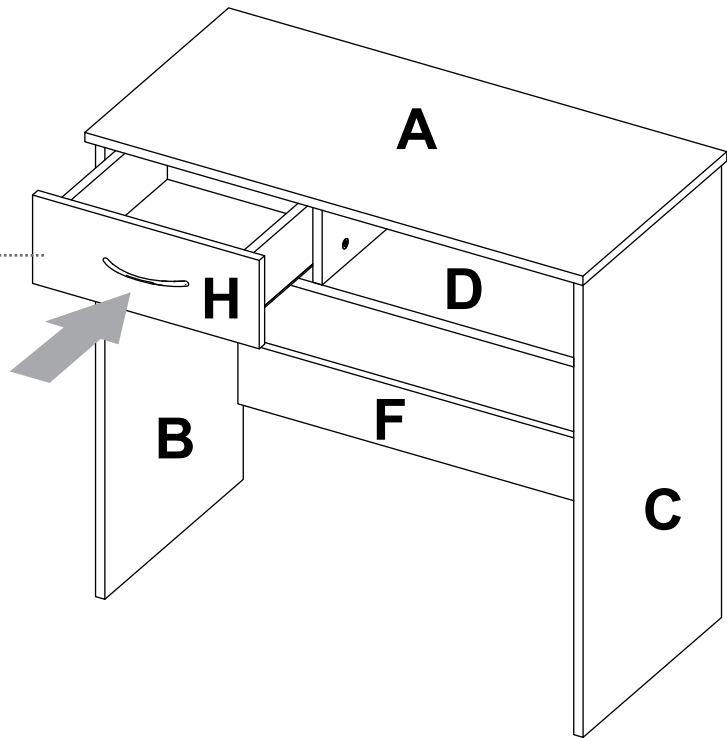
16



17

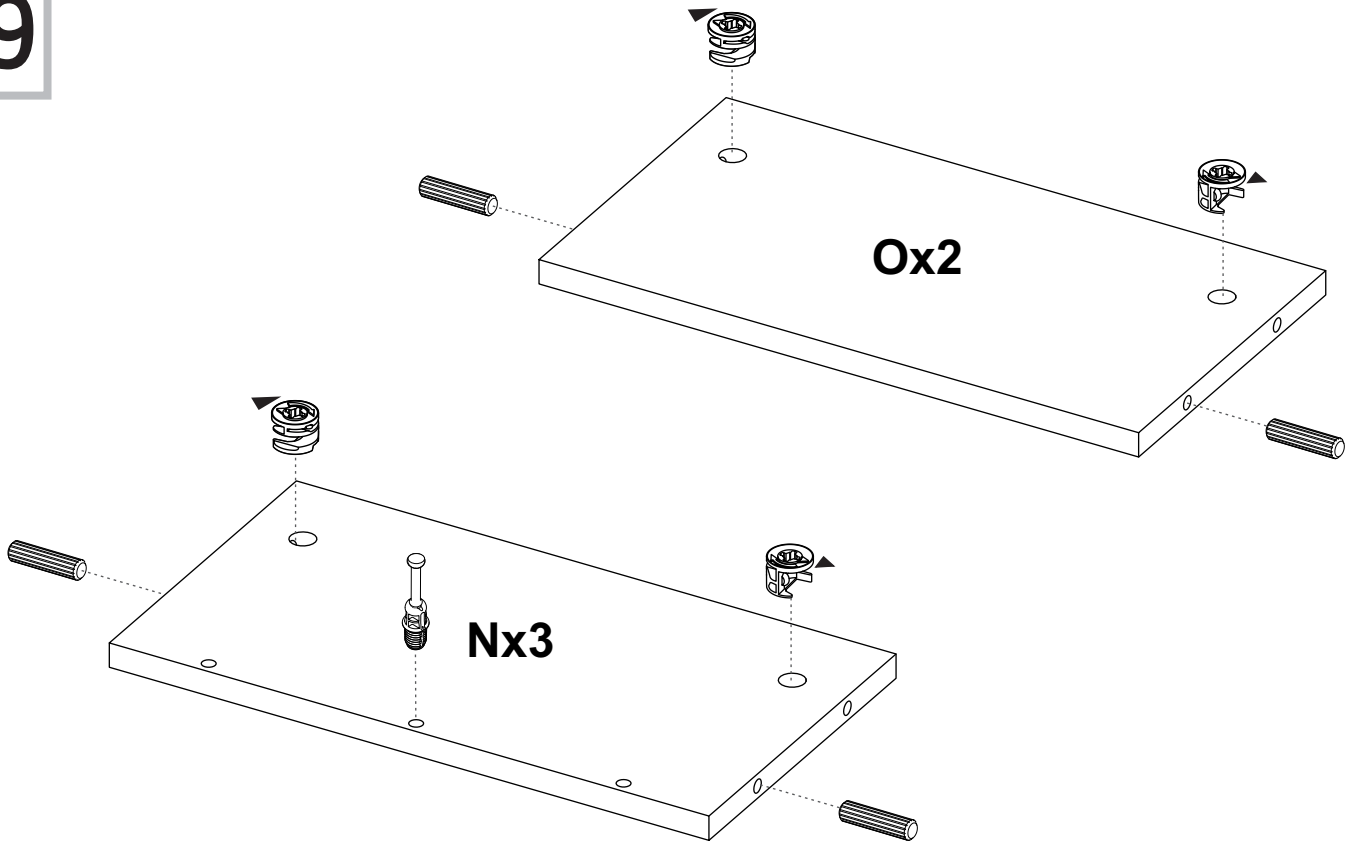


18

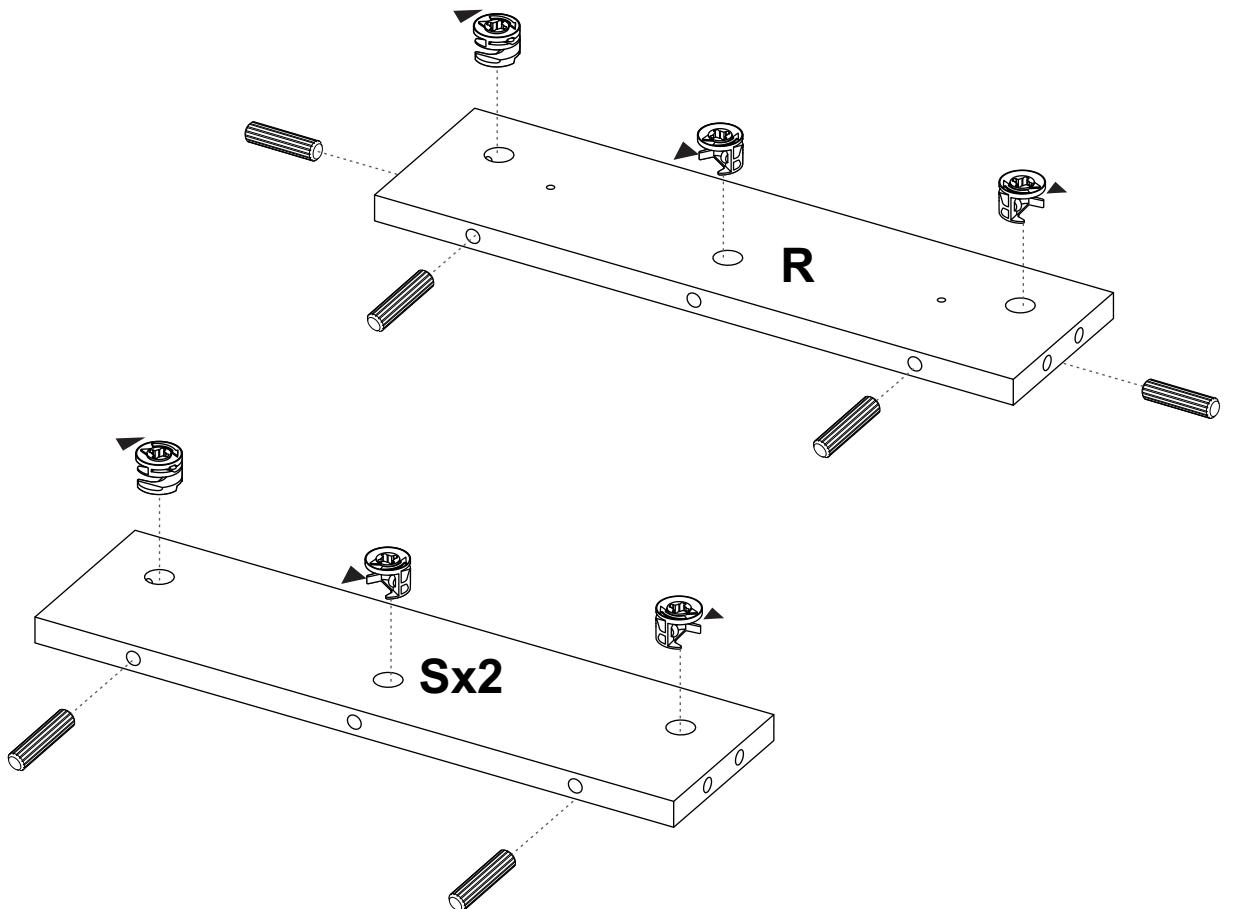


Slide the drawers
inside the cabinet.
Deslice los cajones
dentro del mueble.

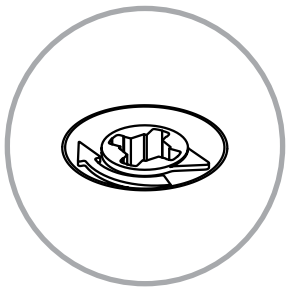
19



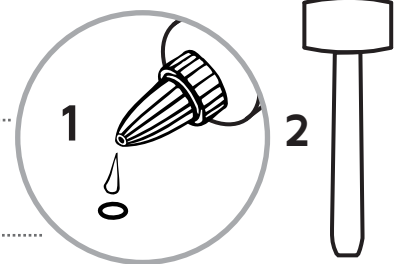
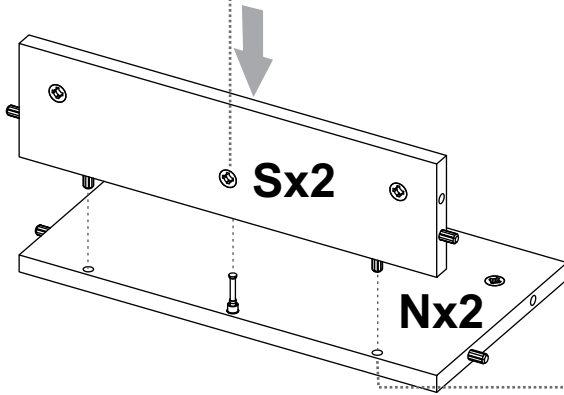
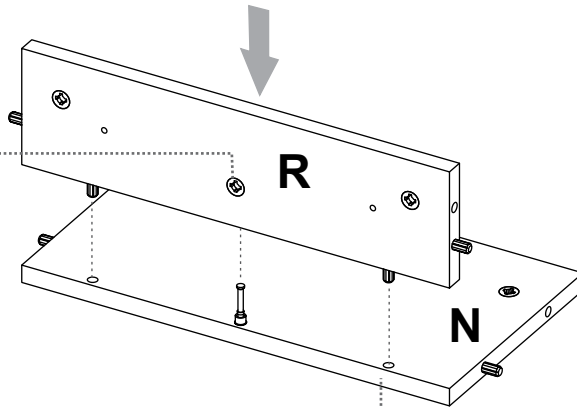
20



21

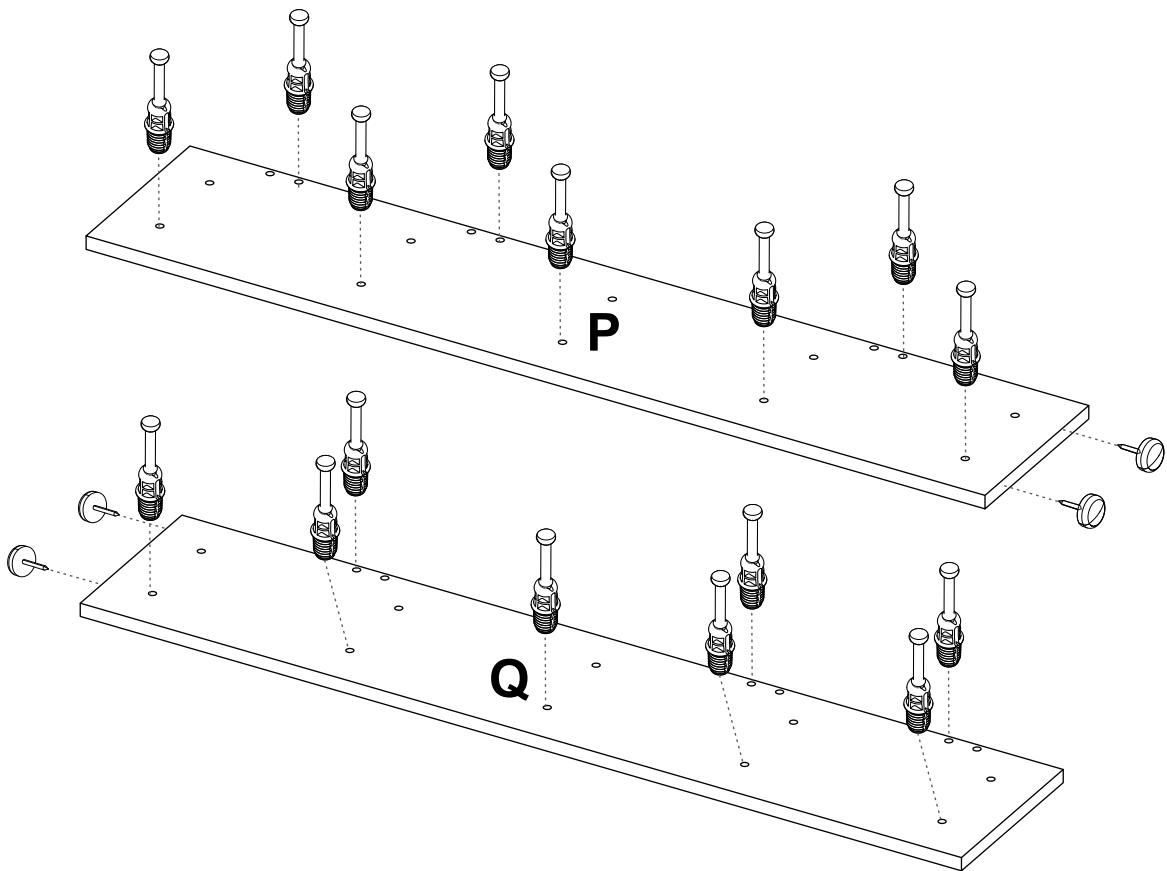


Rotate to tighten.
Gire para apretar.

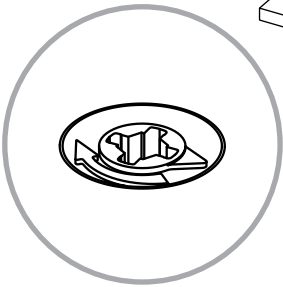
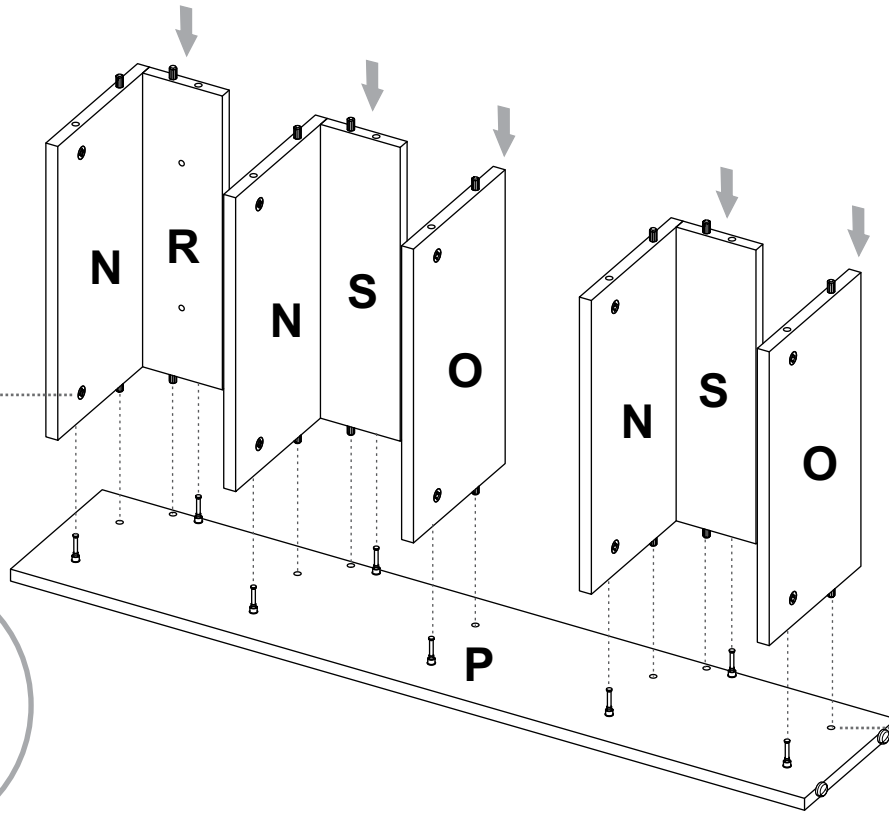


Gently hit to adjust.
Golpee suavemente
para ajustar.

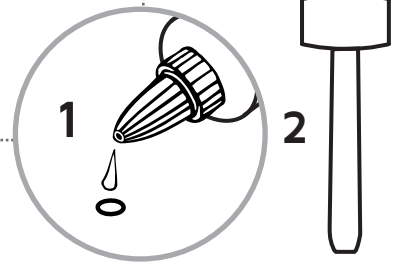
22



23

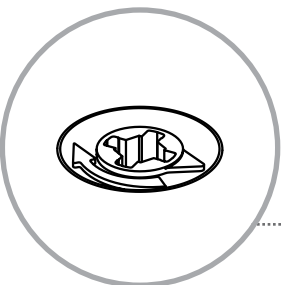
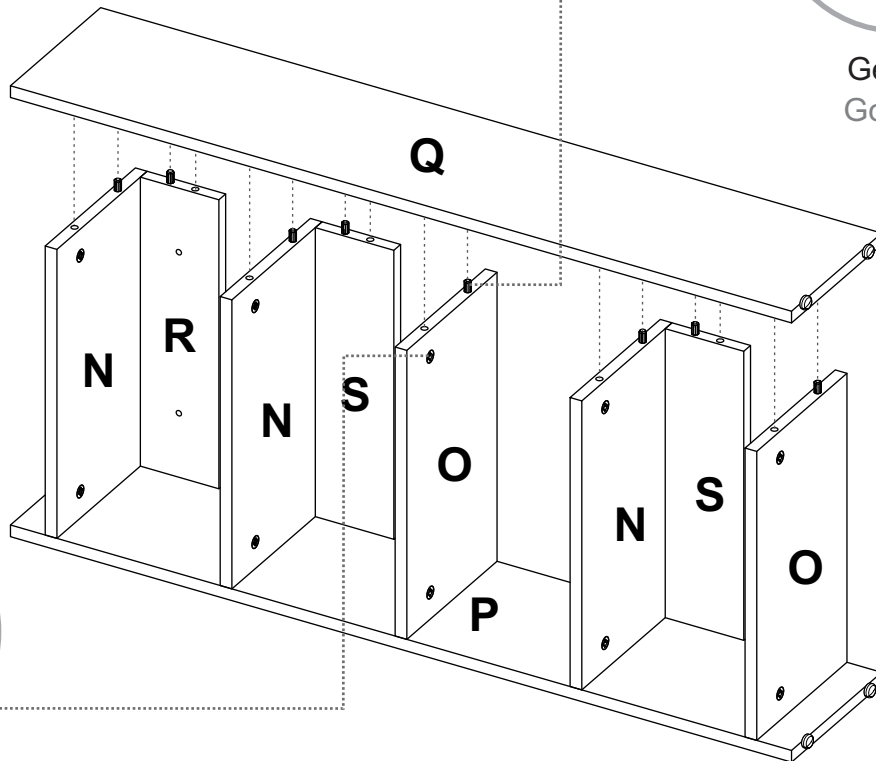


Rotate to tighten.
Gire para apretar.



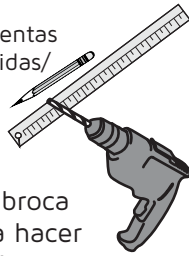
Gently hit to adjust.
Golpee suavemente para ajustar.

24



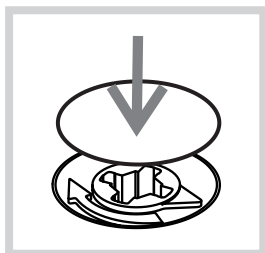
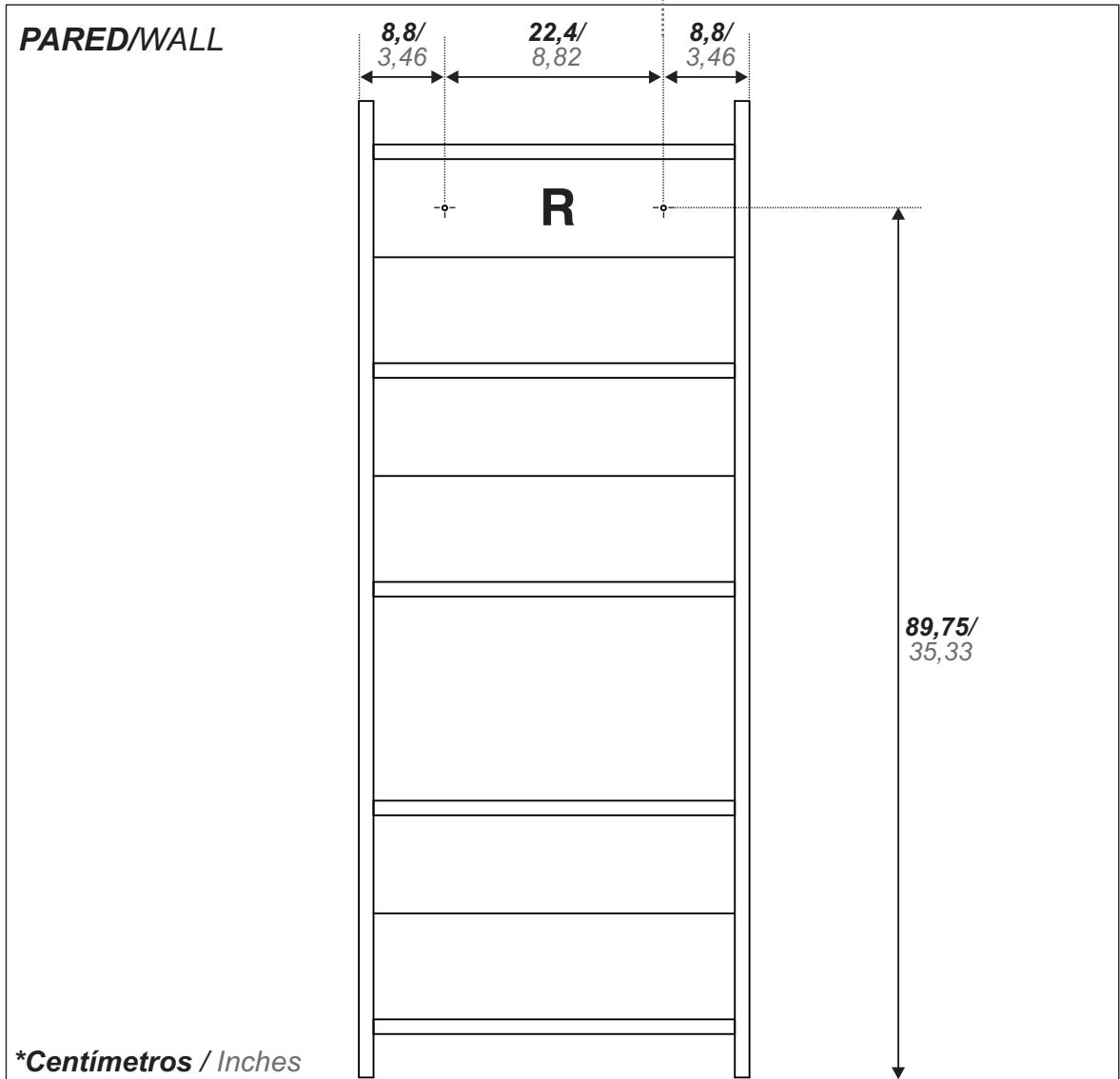
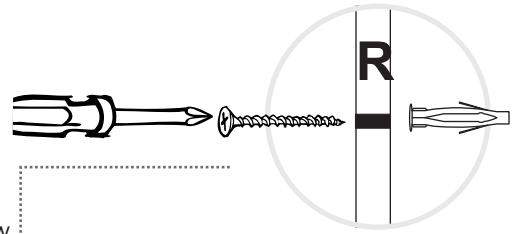
Rotate to tighten.
Gire para apretar.

* Herramientas
NO incluidas/
Tools not
included



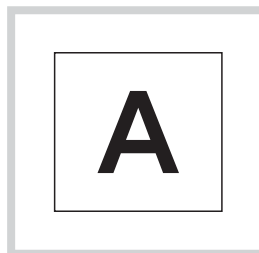
Utilizar una broca
de 5/16" para hacer
las perforaciones
en el muro/
Use a 5/16" drill bit
to drill the wall.

Tornillo 2 1/2" +
Chazo Mariposa/
Wall Anchor + screw



After you finish the
adjustment of the cams,
cover them with the
cover caps.

Después de ajustar todas
las cajas minifix, cúbralas
con las tapas adhesivas.



After you finish
assembling the cabinet,
take off the adhesive
letters.

Al terminar de armar,
desprenda las letras
adhesivas.

TUHOME Furniture has a 3 year warranty coverage in wooden parts and 1 year warranty coverage in hardware pieces since its manufacturing date, which you can see in the lot number printed on the product box and the assembly instructions leaflet.

Warranty covers materials and workmanship imperfections which impair the assembly or correct functioning of the cabinet.

This warranty is not valid if the defects or imperfections are caused by the incorrect following of the assembly instructions, warnings and recommendations, misuse, intentional damage, fire or flood, or after modifications or any kind of alteration, or repaired by someone not authorized by TUHOME Furniture, when it's been assembled 3 months after the date of purchase. These defects MUST be reported before the warranty coverage period ends. Once the product has been assembled, the company will not be responsible for defective and/or damaged parts.

This warranty is ONLY valid for the ORIGINAL PURCHASER, it doesn't apply if the product has been resold, rented, etc.

TUHOME Furniture will take no liability for incidental or consequential damages caused to or by the product (This may not apply in your state).

To make this warranty valid you must write to our customer service email describing the product defect, lot number and submitting your sales receipt or proof of purchase, or contact us at our customer service line. Replaced parts will be under the product's original warranty coverage period. Damaged parts will become property of the company.

There are no other warranties applicable to this product.

**IF ANY PARTS ARE BROKEN OR MISSING PLEASE
CONTACT US AT: 1-888-391-01-66 /
customerservicetuhome@rta.com.co
OUR CUSTOMER SERVICE TEAM WILL PROVIDE
YOU HELP TO RESOLVE ANY ISSUES IMMEDIATELY**