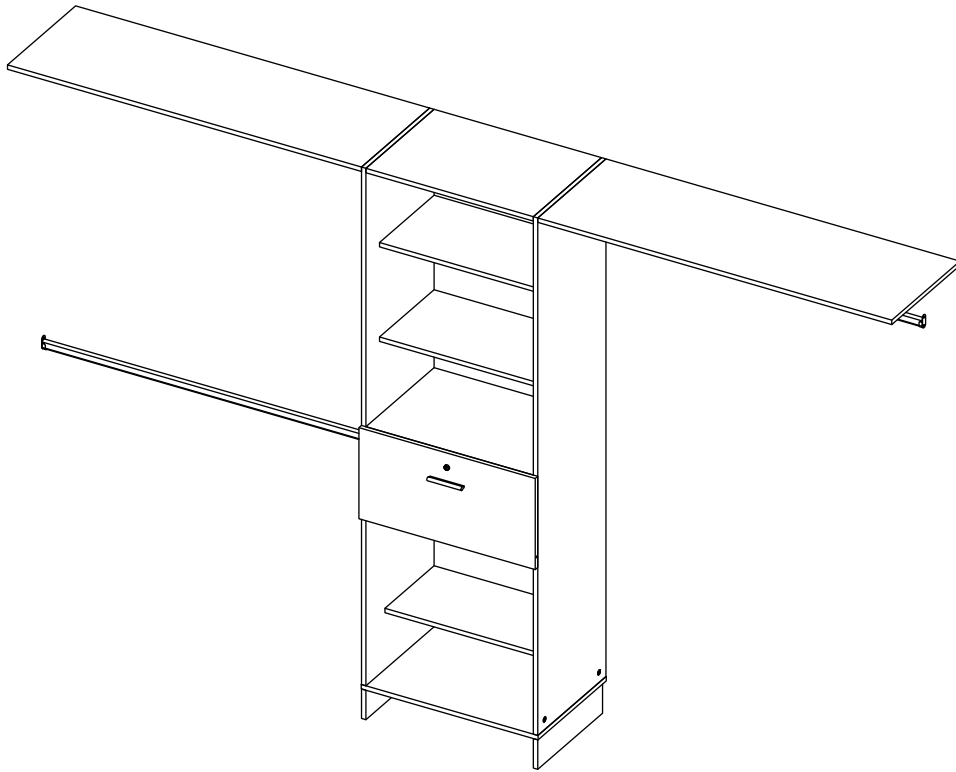


ASSEMBLY INSTRUCTIONS

1 DRAWER CLOSET SYSTEM (WALK-IN CLOSET)



THIS FURNITURE MUST BE FIXED TO THE WALL

⚠ WARNING			
<p>Children have died from furniture tip over. To reduce the risk of tip over:</p> <ul style="list-style-type: none">• ALWAYS secure this furniture to the wall using a wall anchor.• NEVER allow children to stand, climb, or hang on drawers, doors or shelves.• Do not defeat or remove the drawer interlock system.• Place heaviest items in the lowest drawers.• NEVER put a TV on this furniture.			

To ensure the safety of those using this cabinet, it is crucial to properly secure it to the wall using a wall anchor. This product includes the necessary items for fixing the furniture to the wall. However, it is important to note that incorrect installation or failure to use the tip-over device can result in serious injury or even death.

For this reason, we highly recommend that a professional installer handle the installation of the cabinet to the wall.



IMPORTANT RECOMMENDATIONS

Do not paint the cabinet.

The cabinet **MUST** be used exclusively indoors, do not expose to direct sun.

Clean metallic hardware with a dry cloth.

Do **NOT** overload the cabinet (see suggested loads).

Do not hit or hammer the cabinet (just when indicated).

Clean with a slightly damp cloth, use gentle soaps.

Do not drag, lift and move between two people.

Avoid direct contact with water, fire or exposure to heat sources.

RECOMENDACIONES IMPORTANTES

No pintar el mueble.

El mueble debe ser usado únicamente en interiores, no exponer al sol directo.

Limpiar los herrajes metálicos con un paño seco.

NO sobrecargar el mueble (ver las cargas sugeridas).

No golpear ni martillar el mueble (solo cuando se indique).

Limpiar con un paño ligeramente húmedo, usar jabones suaves.

No arrastre el mueble, levántelo entre dos personas.

Evite el contacto directo con el agua, el fuego o la exposición a fuentes de calor.



WARNING

Never allow children to climb or manipulate the cabinet, furniture tip over can cause serious injuries or death.



ADVERTENCIA

Nunca permita que los niños escalen o manipulen el mueble, la caída de este puede provocar lesiones graves o la muerte.

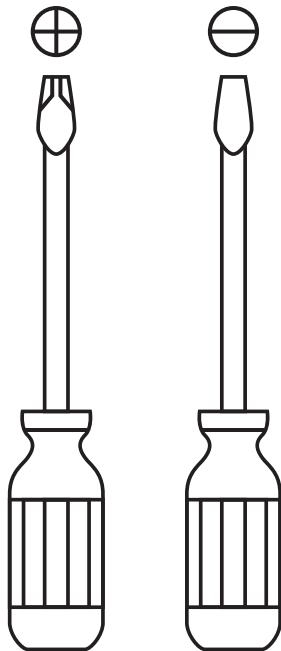
INDEX

Assembly Hardware.....	4
Assembly Parts.....	5
Suggested Loads.....	6
Assembly Recommendations.....	6
Assembly Steps.....	7-26
Warranty.....	27

ÍNDICE

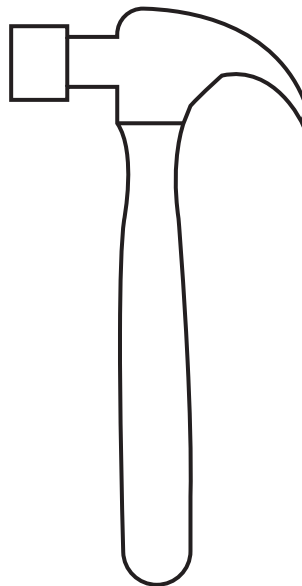
Herrajes para Armado.....	4
Piezas de Armado.....	5
Cargas Sugeridas.....	6
Recomendaciones de Ensamble.....	6
Pasos de Armado.....	7-26
Garantía.....	27

REQUIRED TOOLS*



*Not included, and not shown actual size.

HERRAMIENTAS NECESARIAS*



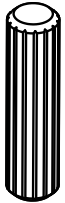
*No incluidas y no se muestran en tamaño real.

ASSEMBLY HARDWARE

HERRAJES PARA ARMADO

Please check that the hardware content is correct. If any item is missing, please call to our customer service line.

Compruebe que el contenido de los herrajes sea el correcto. En caso de que falte alguna pieza, por favor llame a nuestra línea de atención al cliente.



x46

Wood Dowel
Tarugo



x33

Spreading Bolt
Perno Minifix



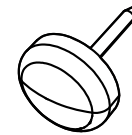
x33

Minifix Cams
Minifix



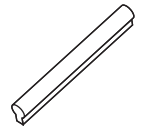
x40

Cover Caps
Color 1
Tapa Adhesiva
Minifix Color 1



x6

Nail-on Glide
Deslizador Puntilla



x1

Handle
(screws included)
Manija
(incluye tornillos)



x32

Sheet Metal Screw
Tornillo Lamina



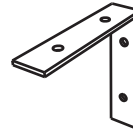
x4

Drywall Screw
Tornillo de
Ensamble 2"



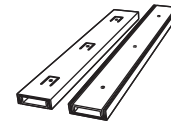
x6

Drywall Screw
Tornillo de
Ensamble 1 1/8"



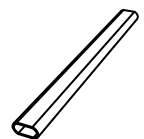
x12

Wide Brace
Platina en ángulo L



x1

Drawer Slides
(Screws included)
Riel
(Incluye tornillos)



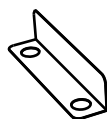
x3

Closet Rod
Tubo Ovalado



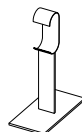
x6

Rod Support
Soporte Tubo



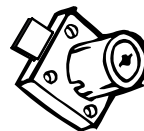
x1

Platinum Lock
Platina Cerradura



x2

Roof Rod Support
+ Screws
Soporte Tubo
Ovalado para Techo
+ Tornillos



x1

Lock with Key
Cerradura de
Incrustar
(incluye llaves)



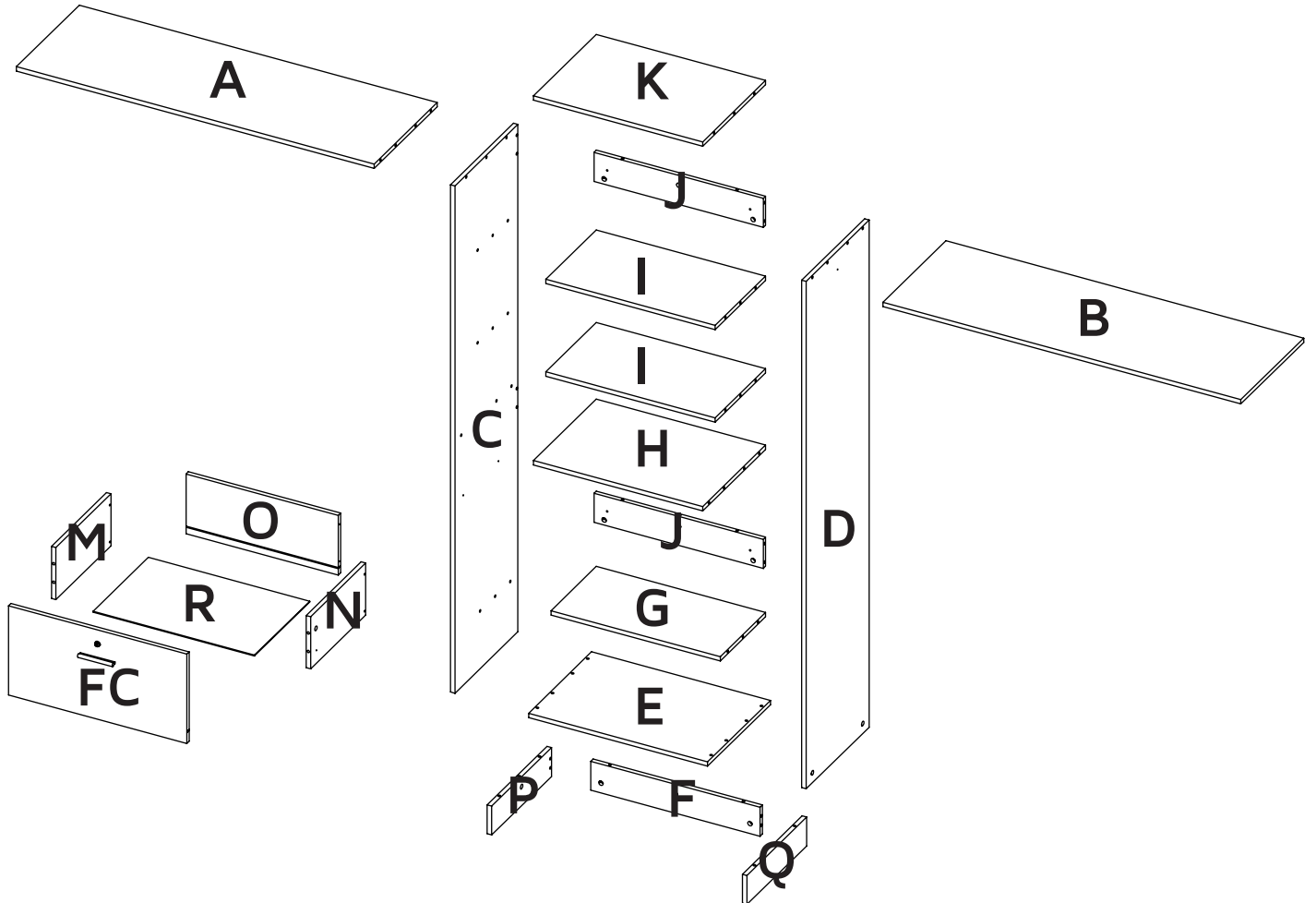
x34

Drywall Screw +
Wall Anchor
Chazo Mariposa +
Tornillo Ensamble

Hardware items are NOT shown actual size.
Los herrajes no se muestran el tamaño real.

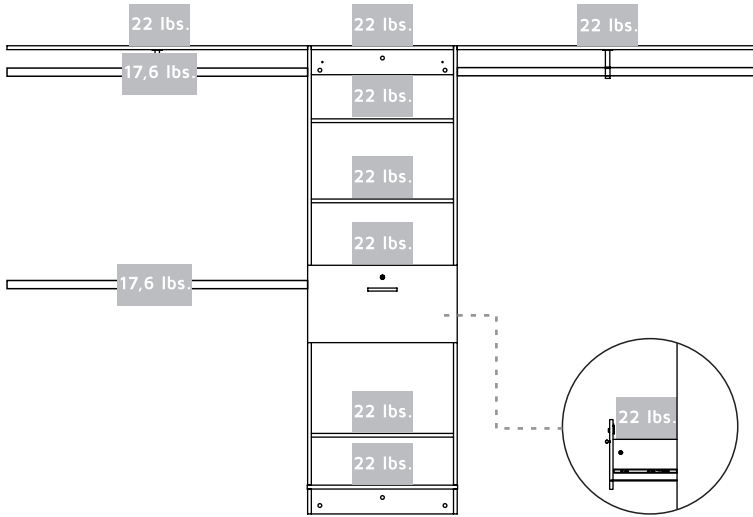
ASSEMBLY PARTS

PIEZAS DE ARMADO

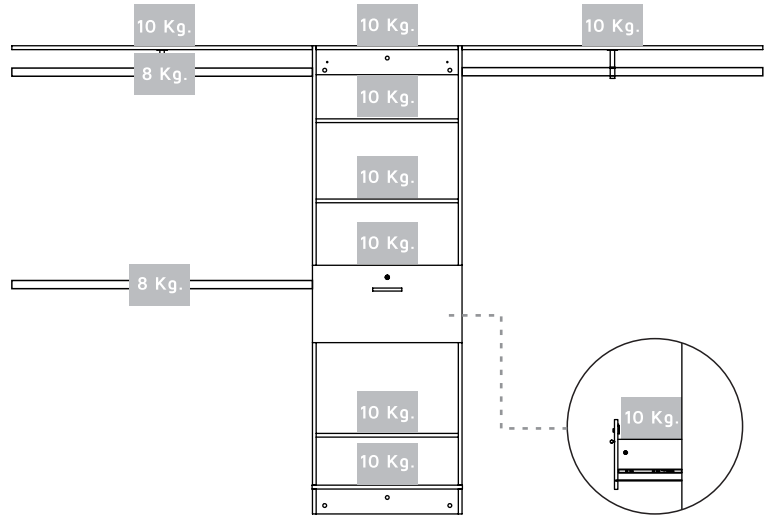


A - x1	G - x1	M - x1
B - x1	H - x1	N - x1
C - x1	I - x2	O - x1
D - x1	J - x2	P - x1
E - x1	K - x1	Q - x1
F - x1	FC - x1	R - x1

MAX SUGGESTED LOADS



CARGAS MÁXIMAS SUGERIDAS



ASSEMBLY RECOMMENDATIONS

Two people are recommended to assemble the product.

Assemble the cabinet on a flat, smooth surface, preferably on a carpeted floor or the carton box of the product.

Carefully read the assembly instructions and identify every wood and hardware part before start assembling the cabinet.

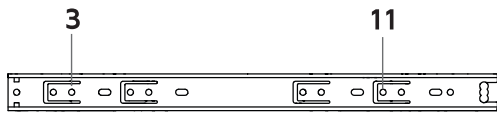
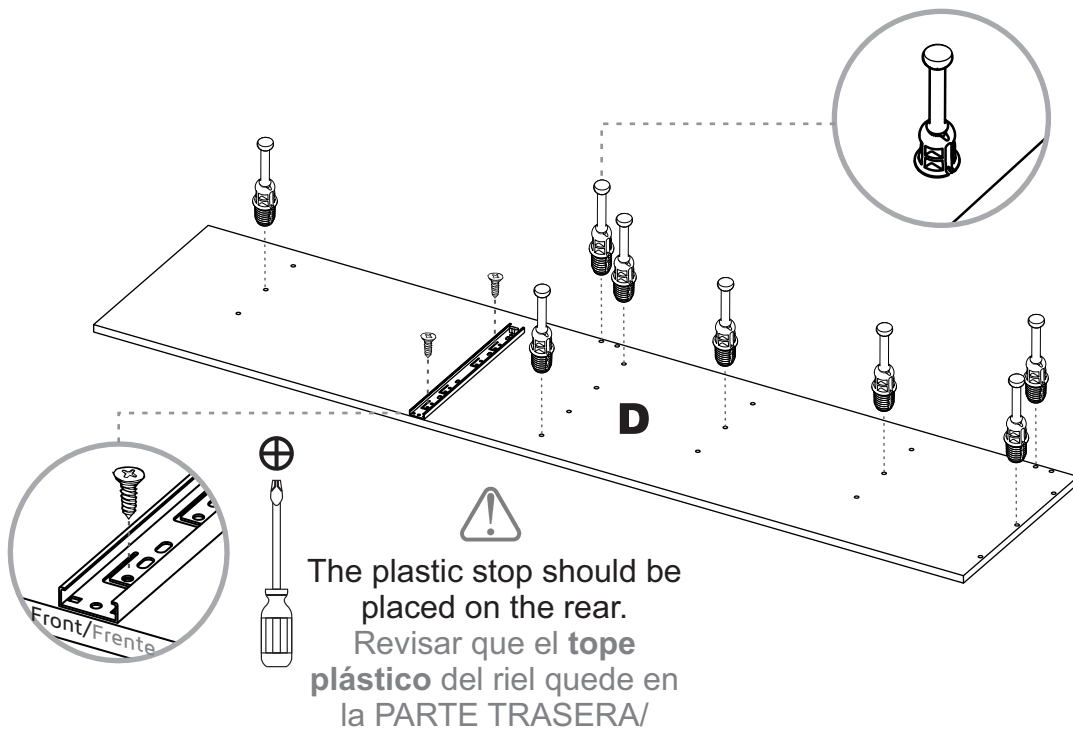
RECOMENDACIONES DE ENSAMBLE

Ensamble el mueble entre dos personas.

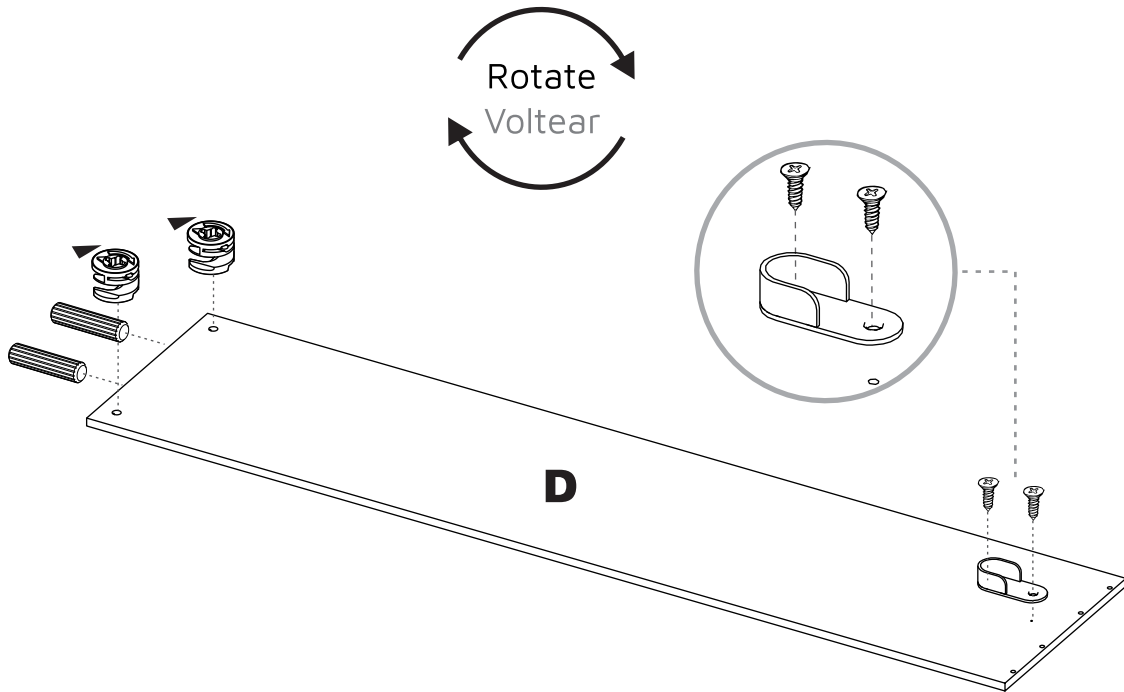
Ensamble el mueble sobre una superficie plana y lisa, preferiblemente sobre un tapete o el cartón de la caja

Lea cuidadosamente las instrucciones e identifique todas las piezas y herrajes antes de empezar a armar el mueble.

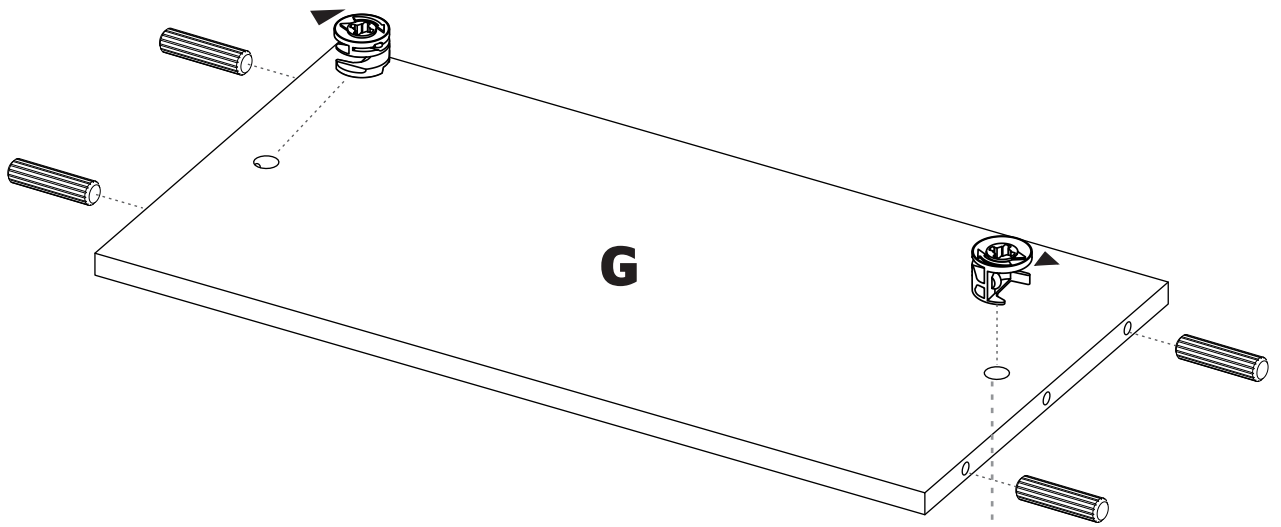
1



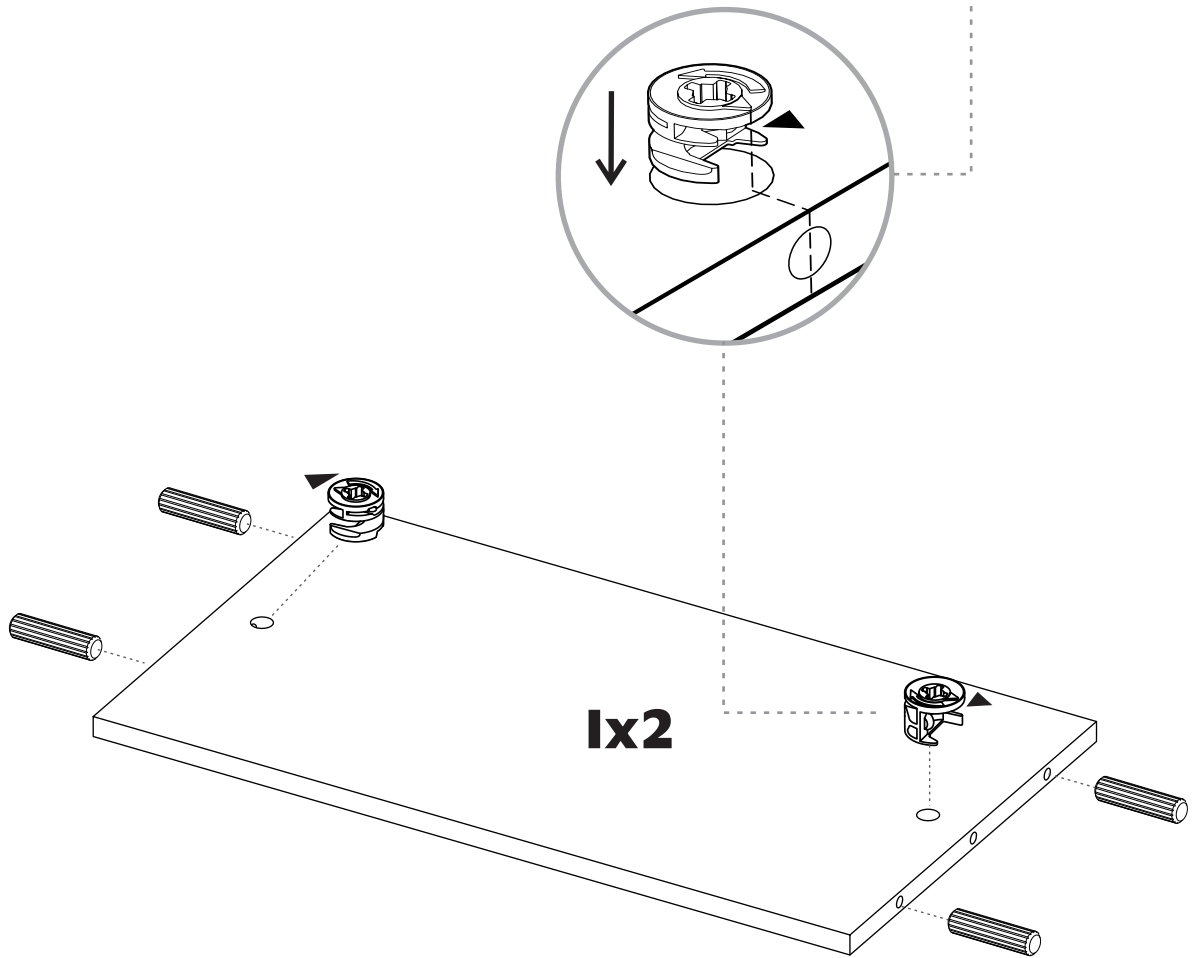
2



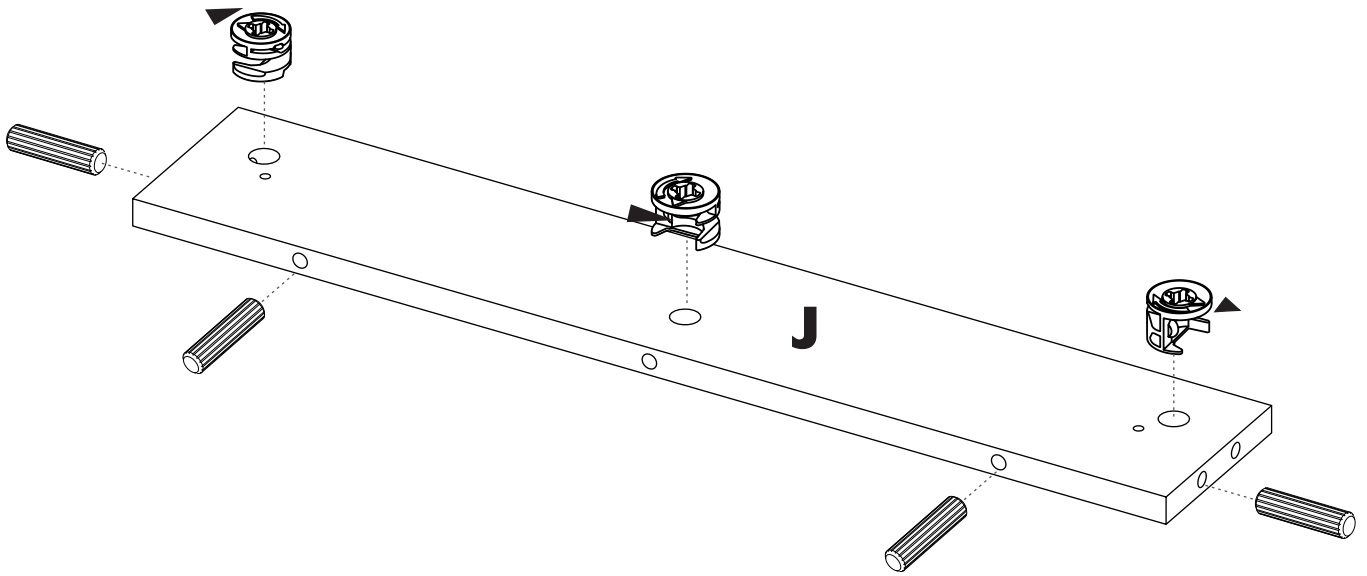
3



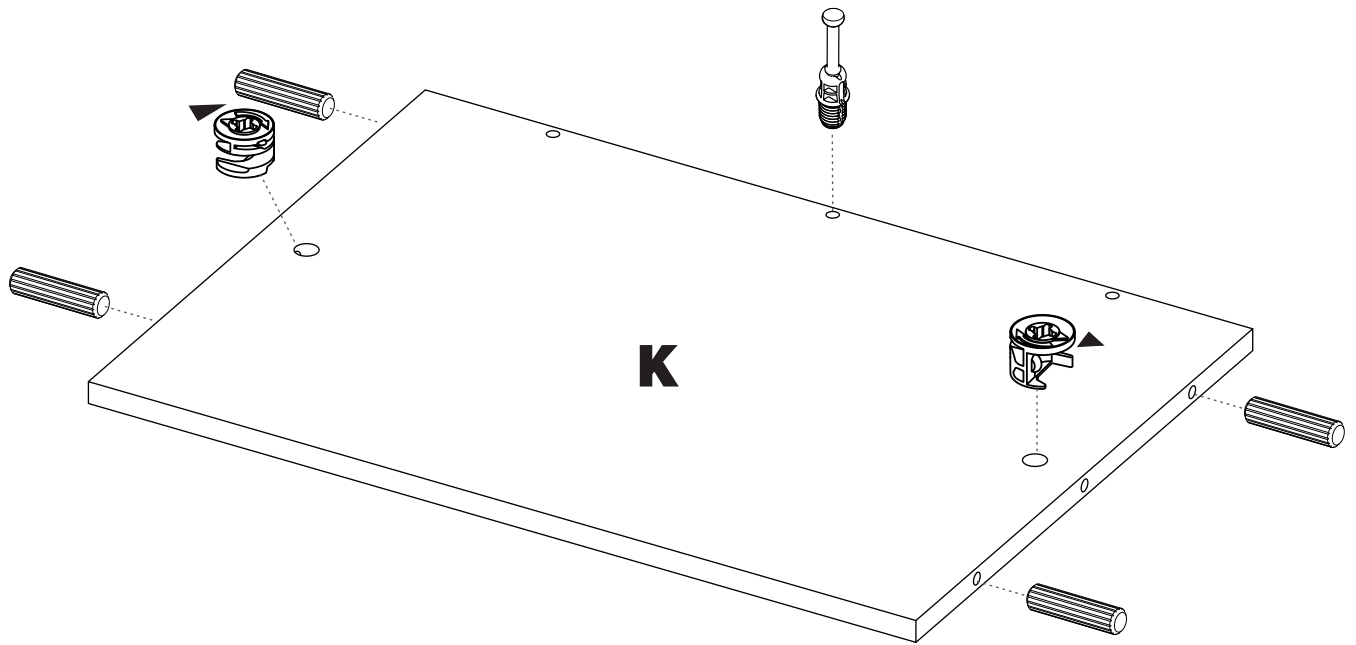
4



5

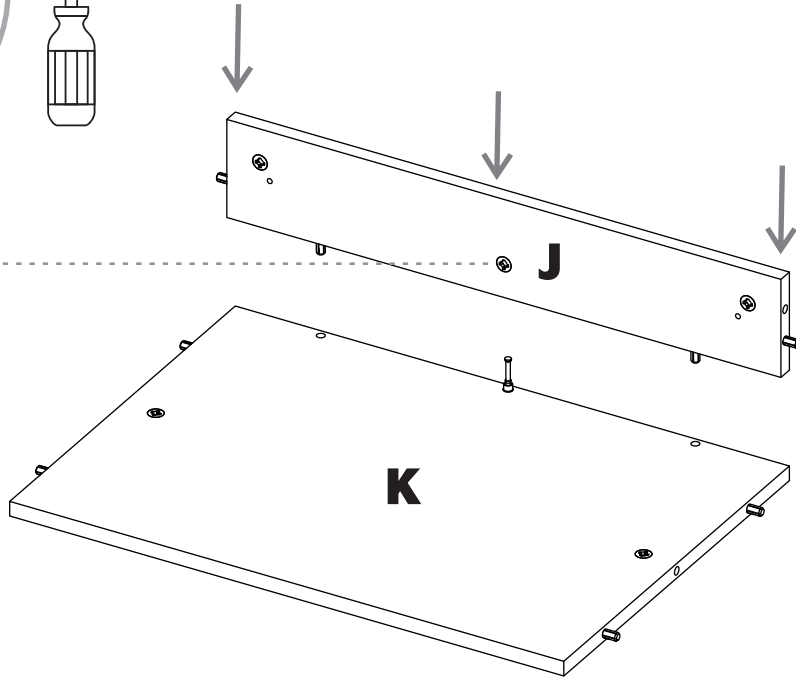
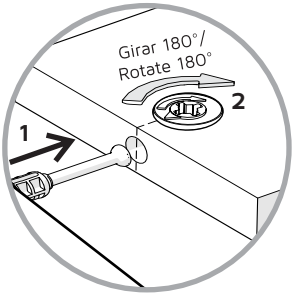


6

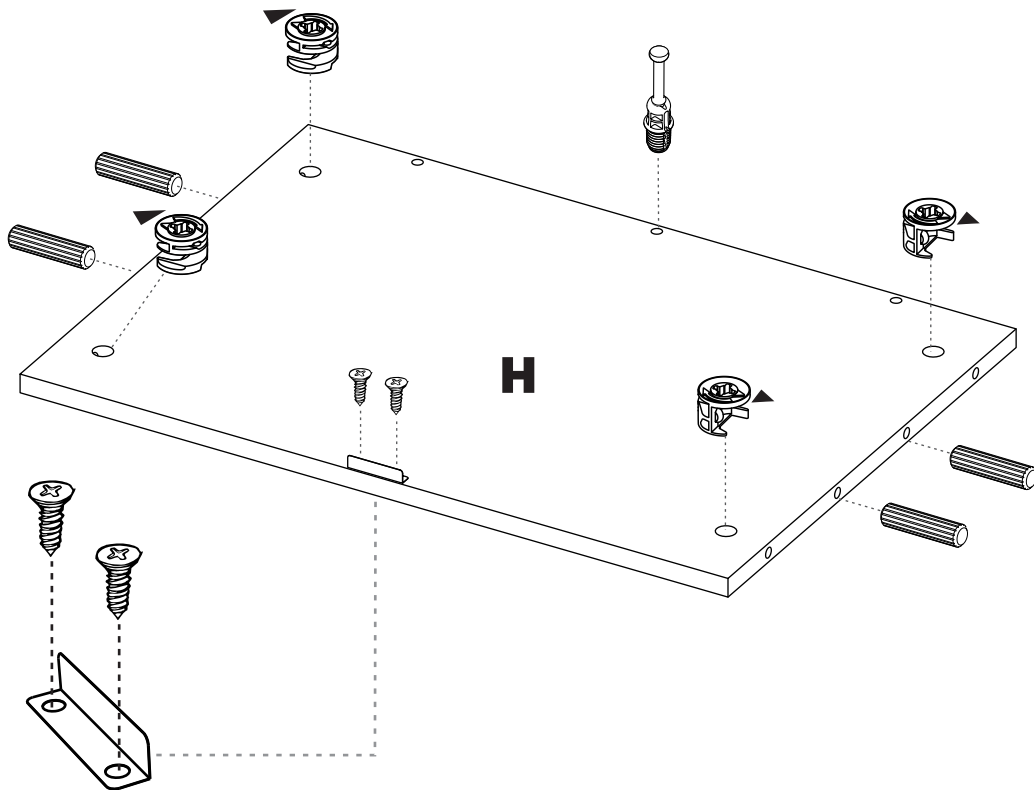


7

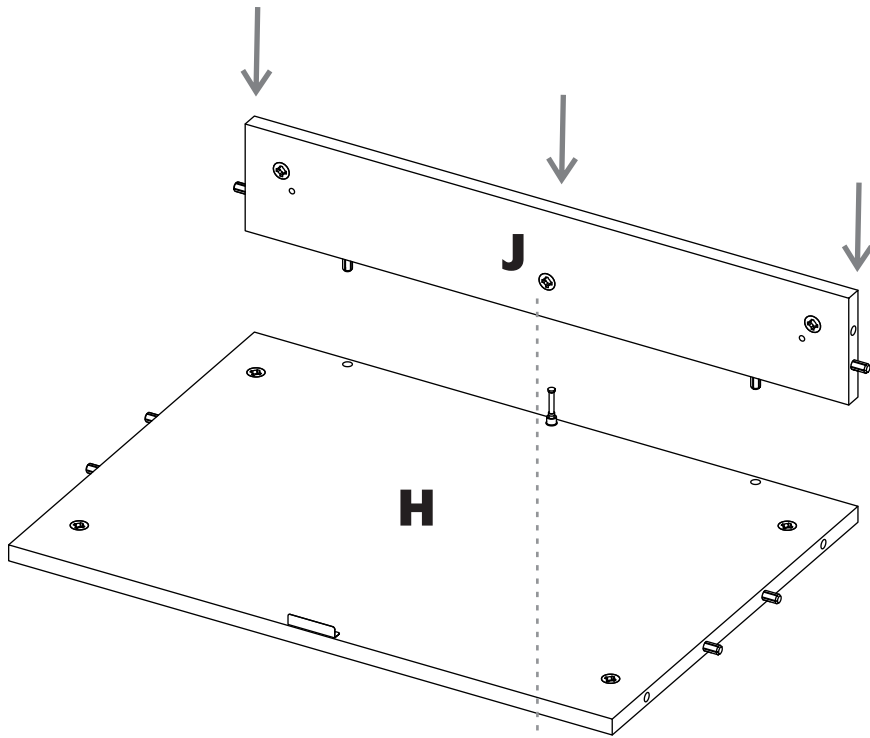
Rotate to tighten.
Gire para apretar.



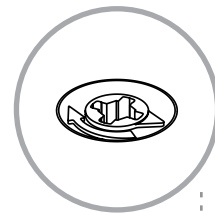
8



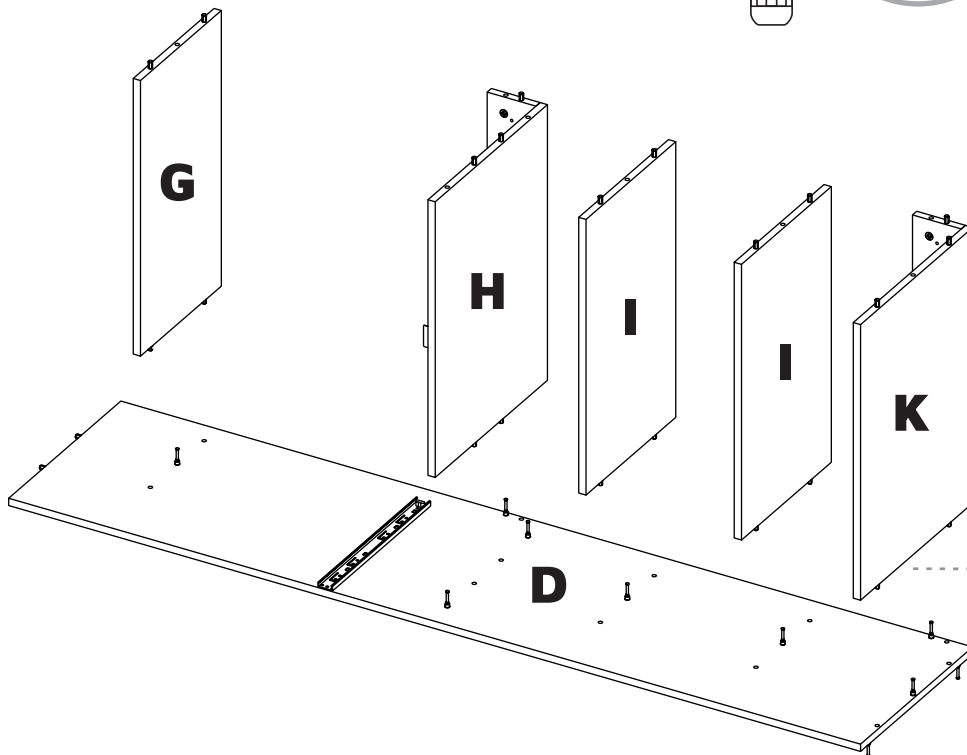
9



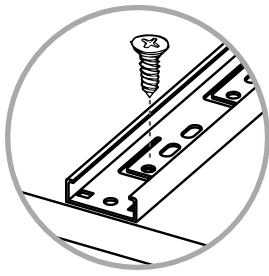
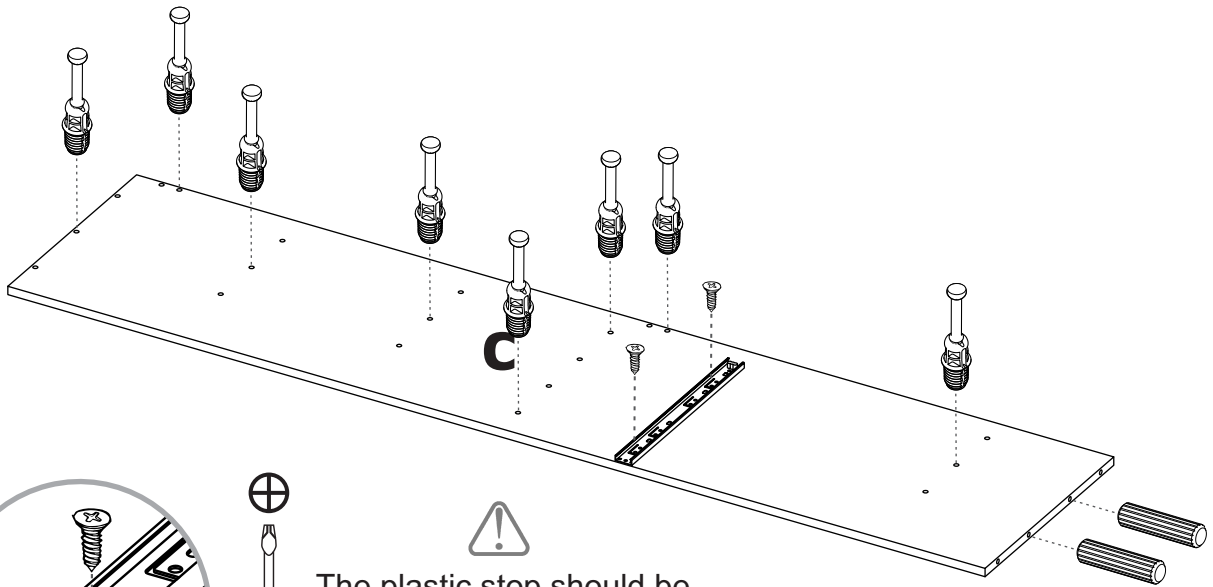
⊕ Rotate to tighten.
Gire para apretar.



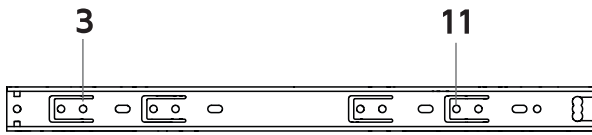
10



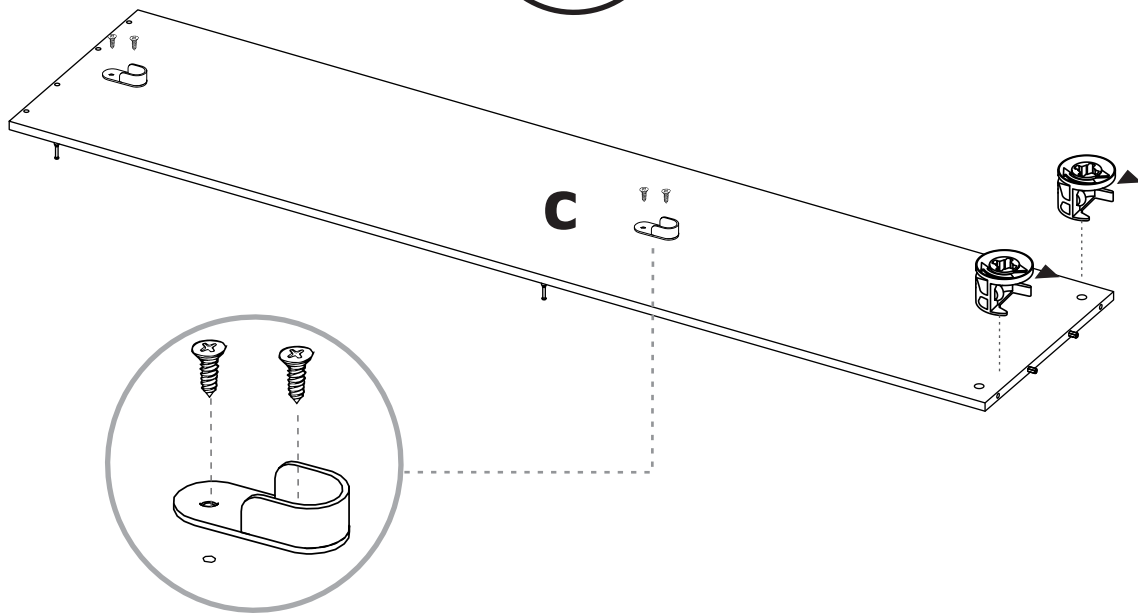
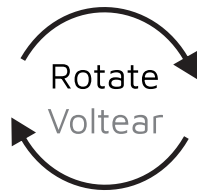
11



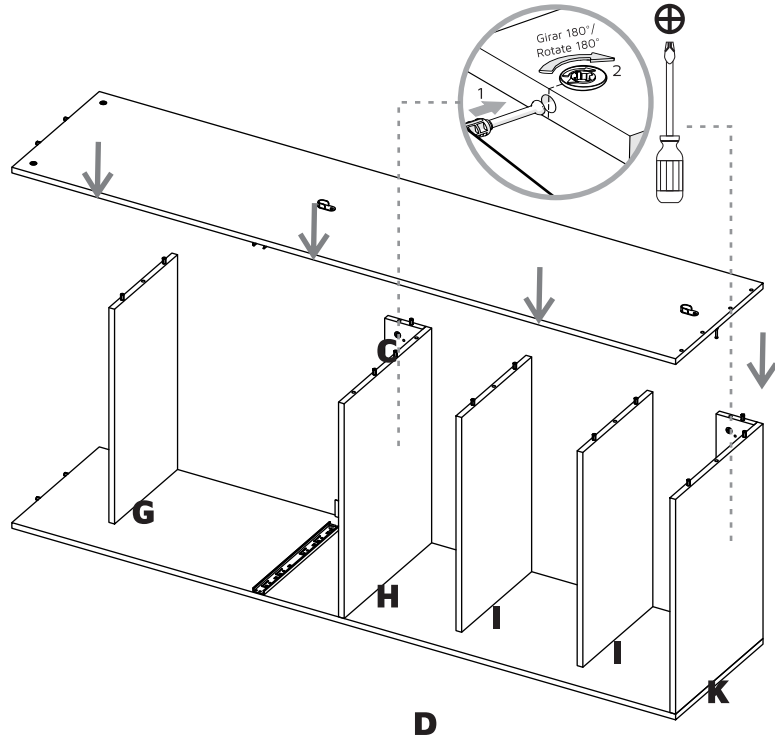
The plastic stop should be placed on the rear.
Revisar que el tope plástico del riel quede en la PARTE TRASERA/



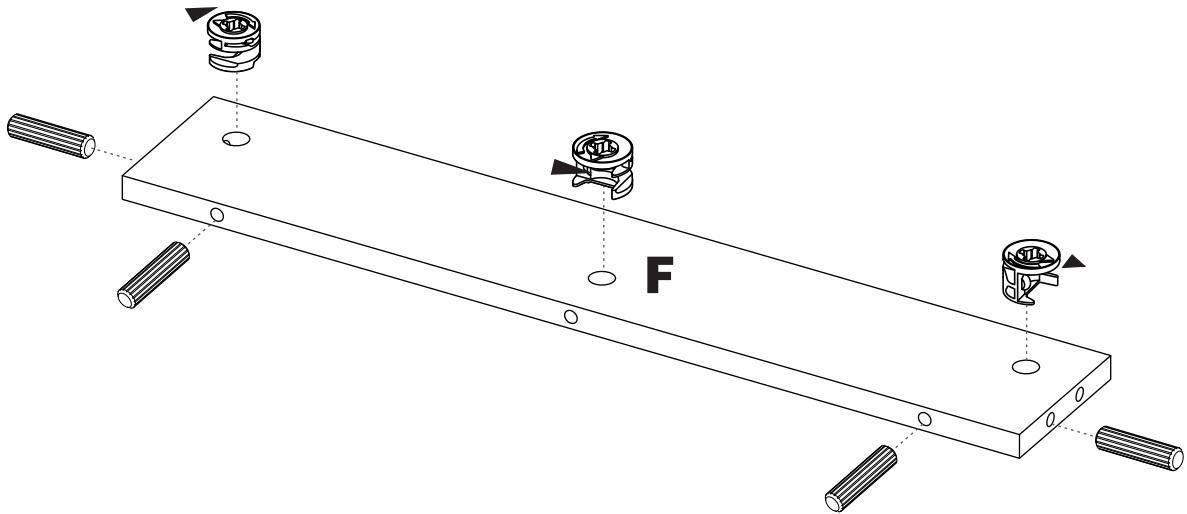
12



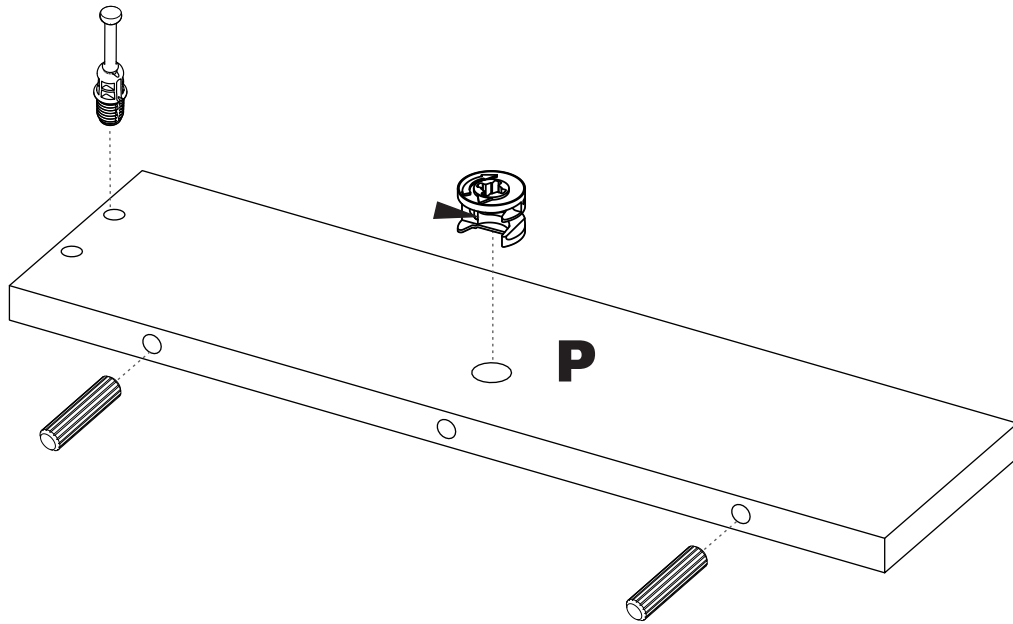
13



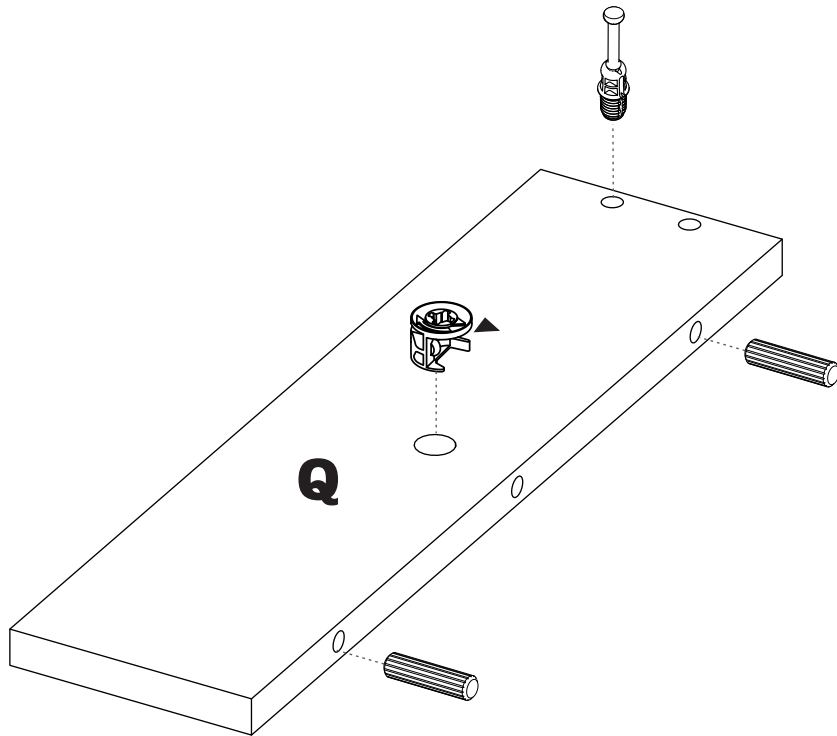
14



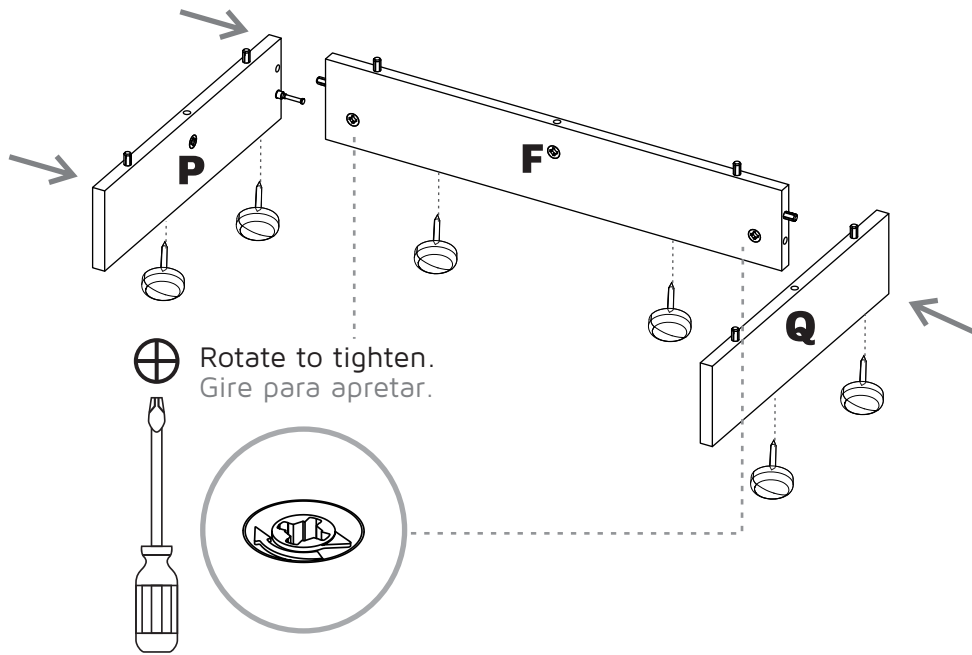
15



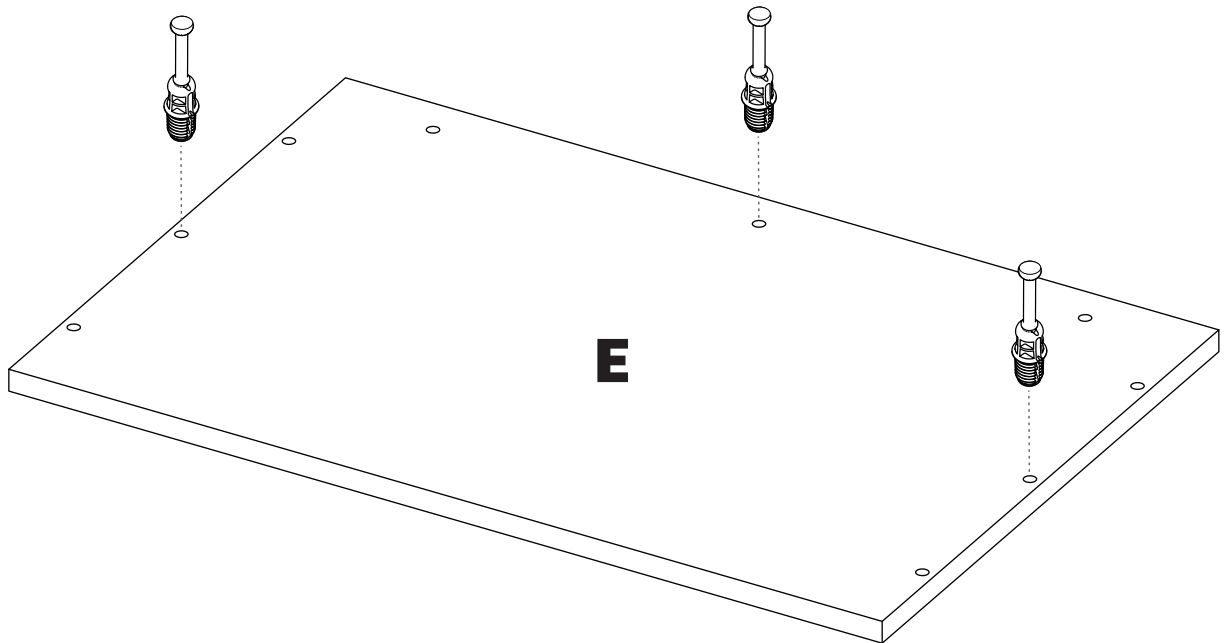
16



17

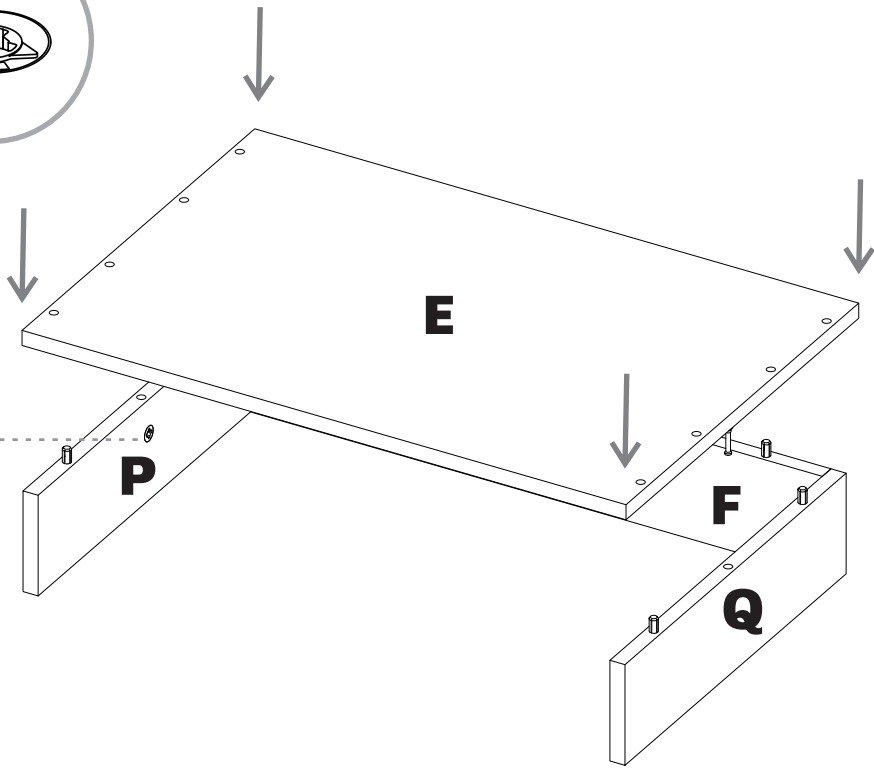
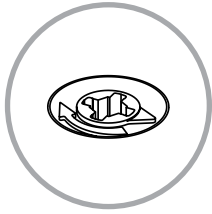


18

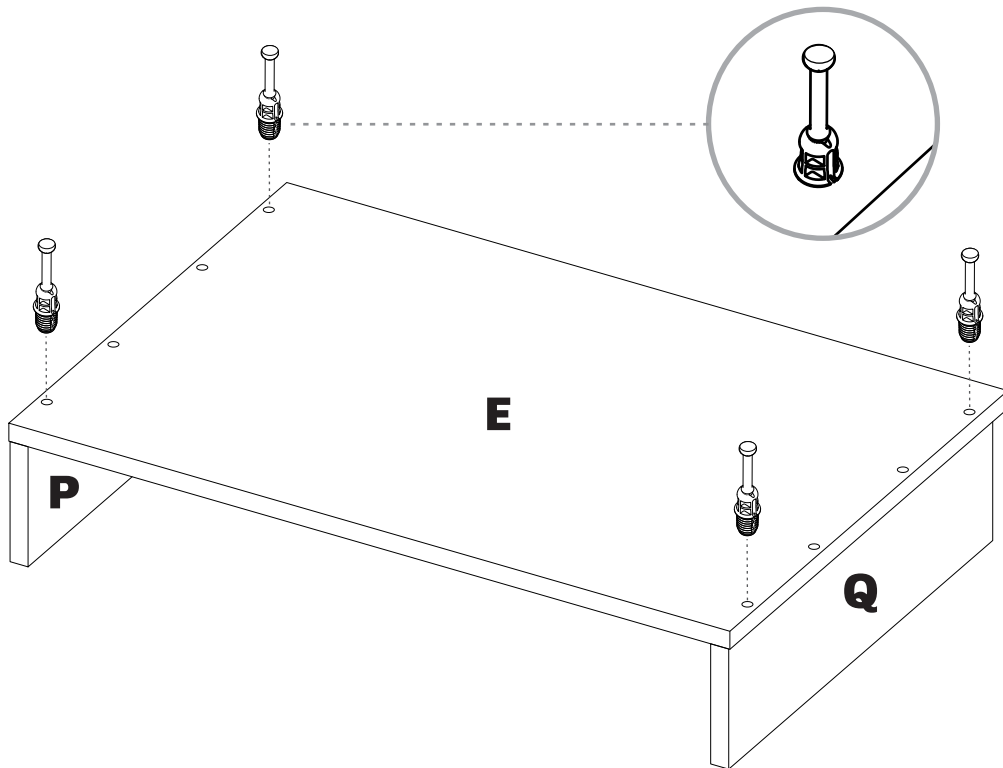


19

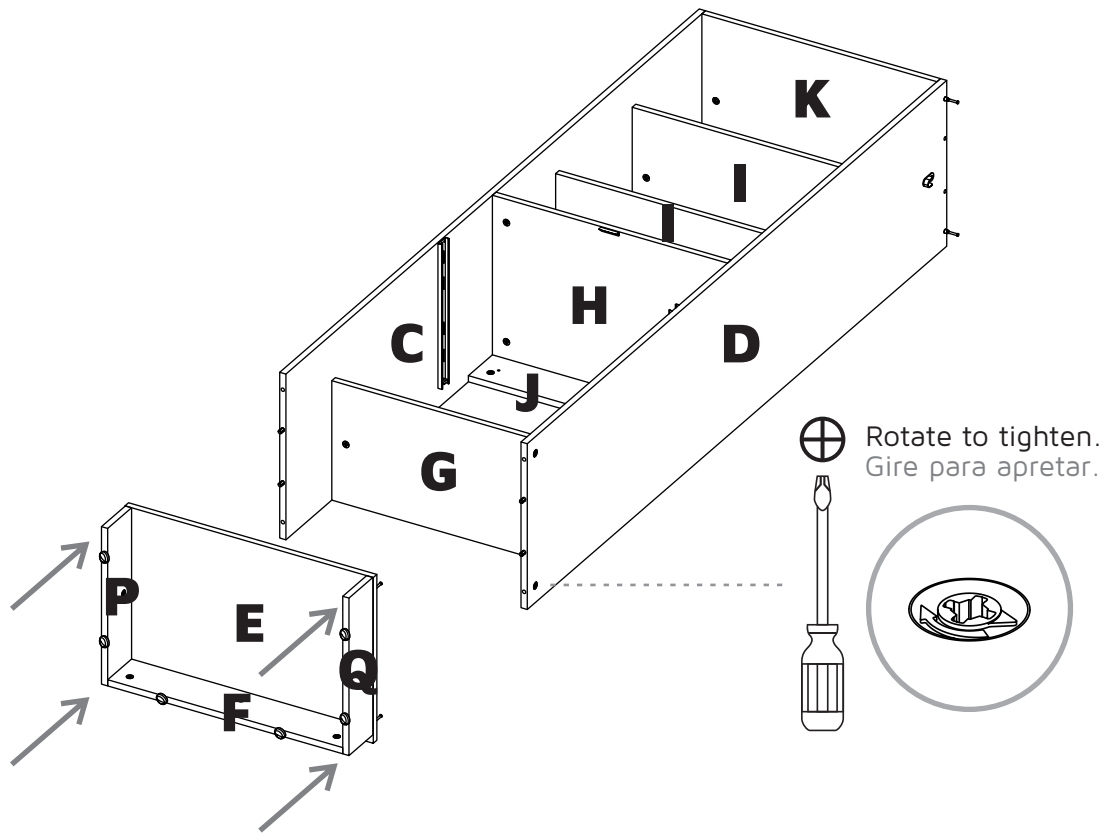
⊕ Rotate to tighten.
Gire para apretar.



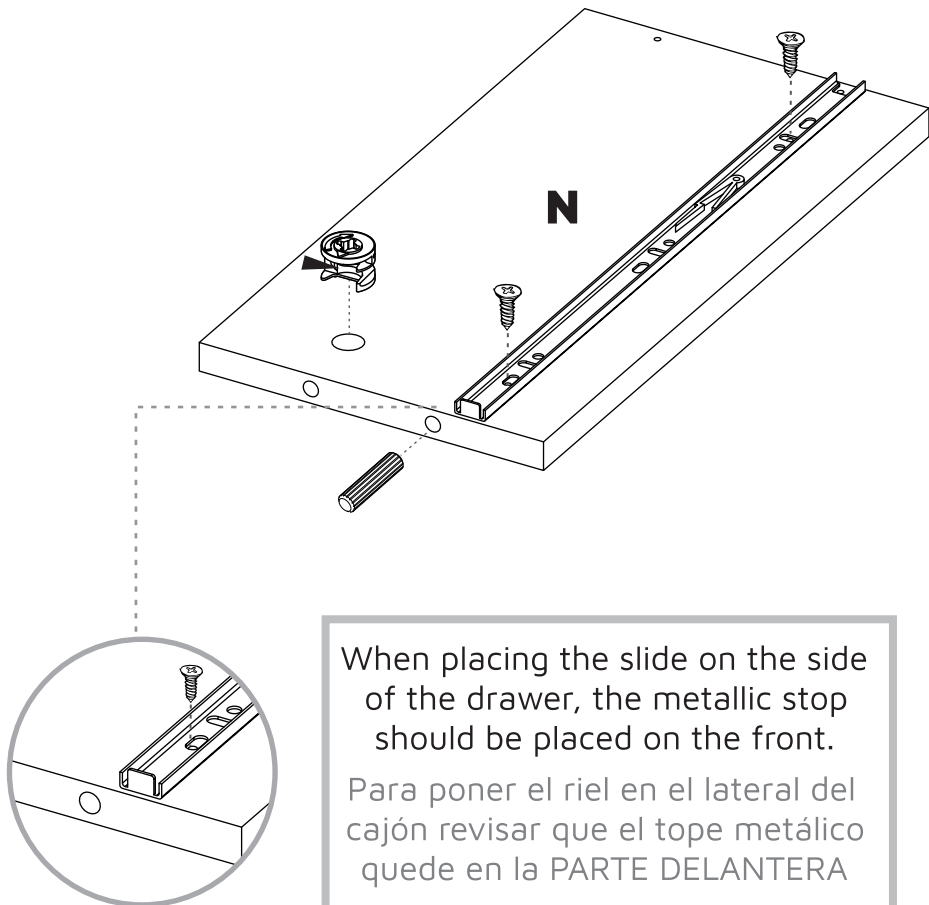
20



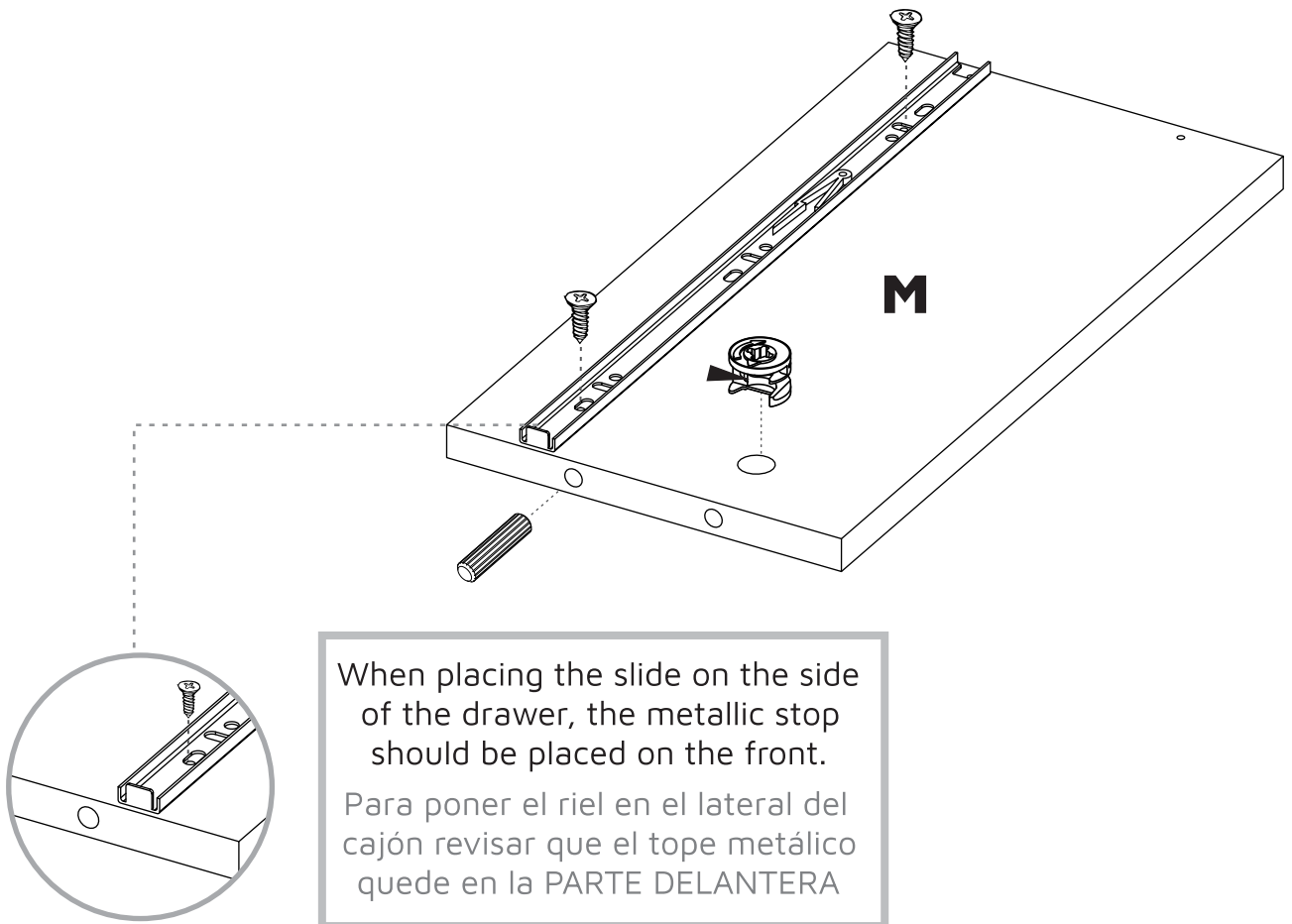
21



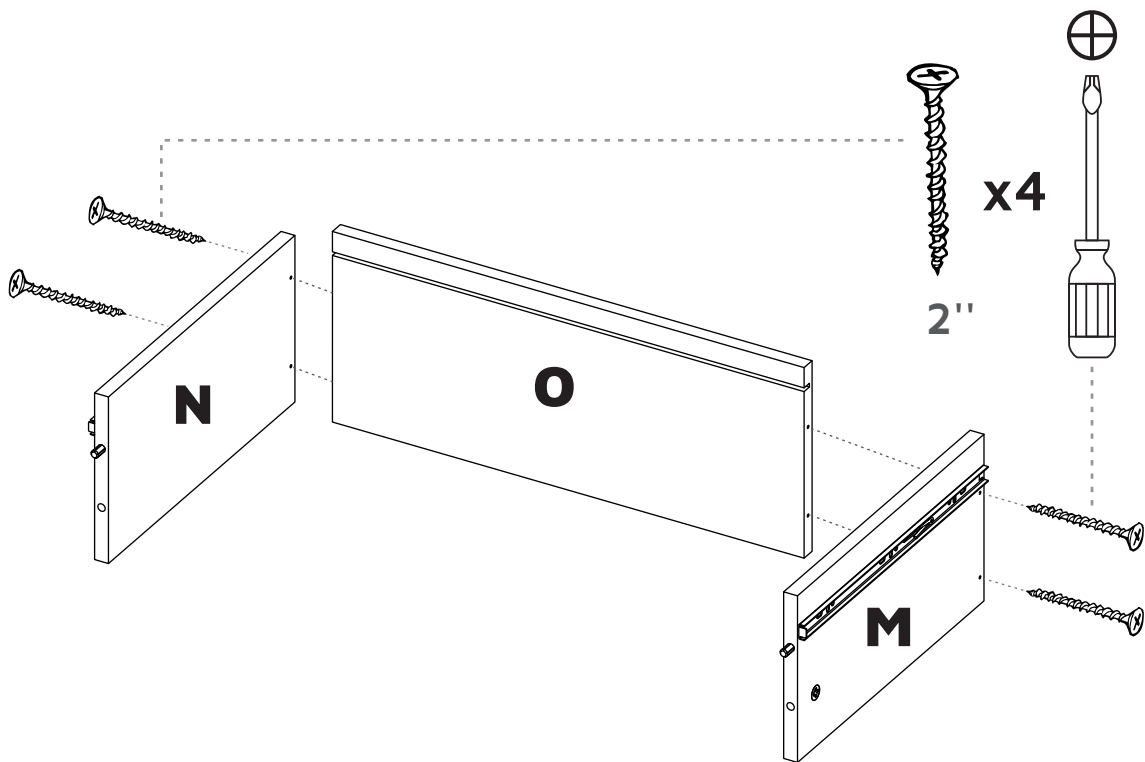
22



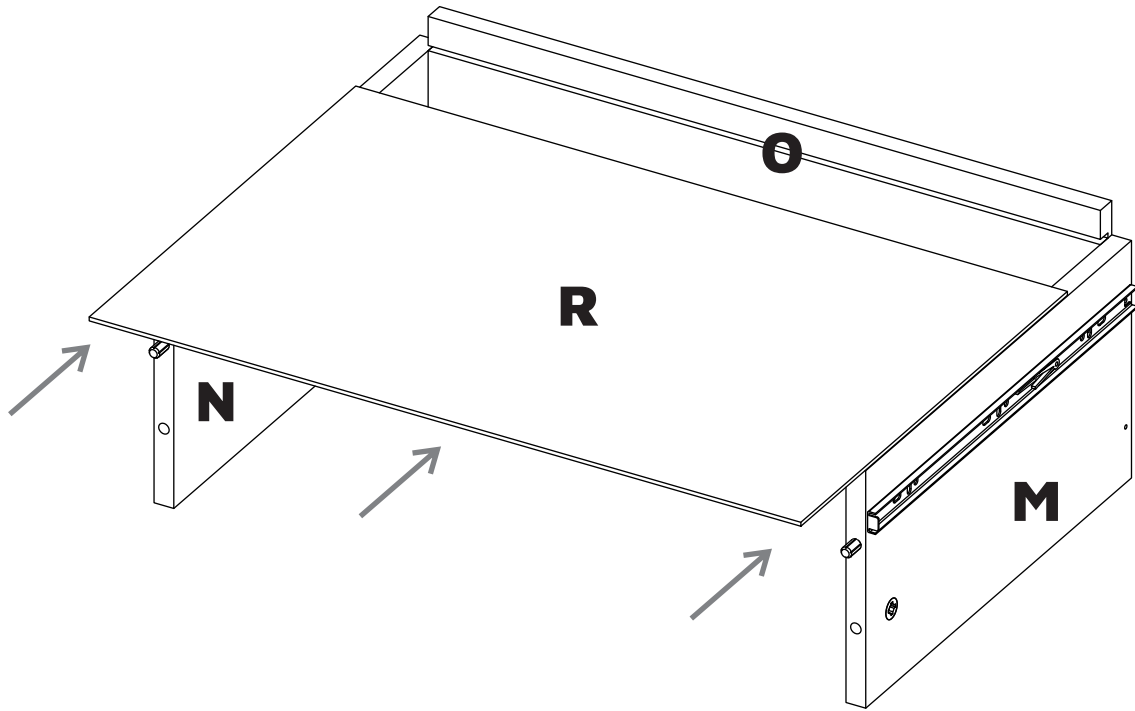
23



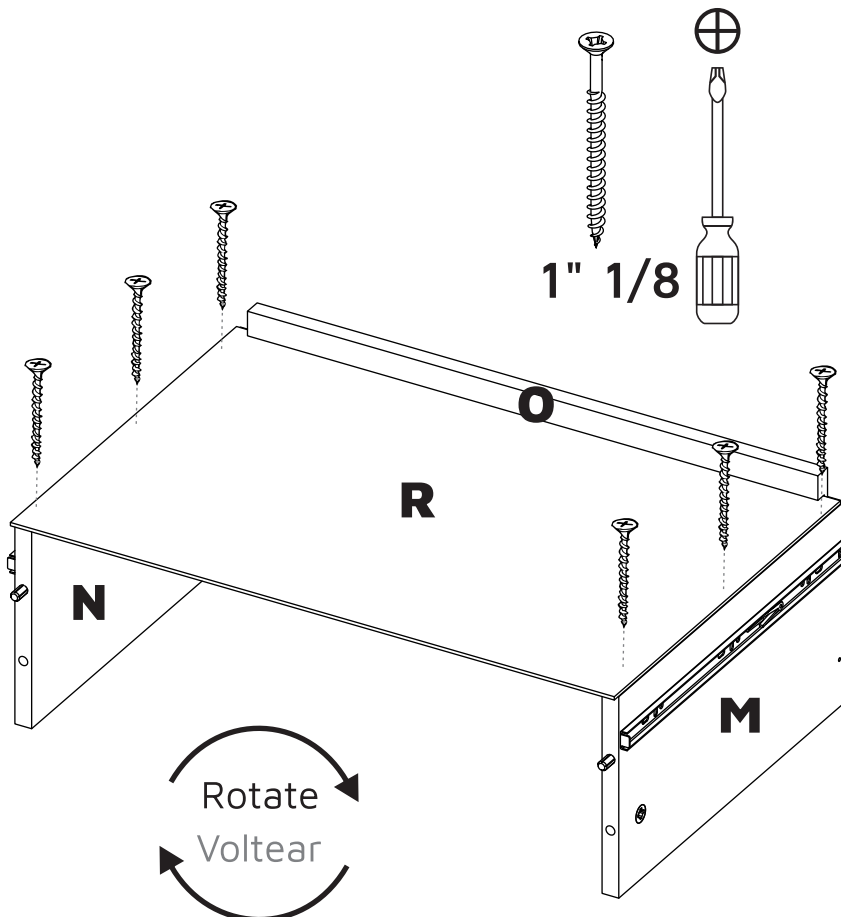
24



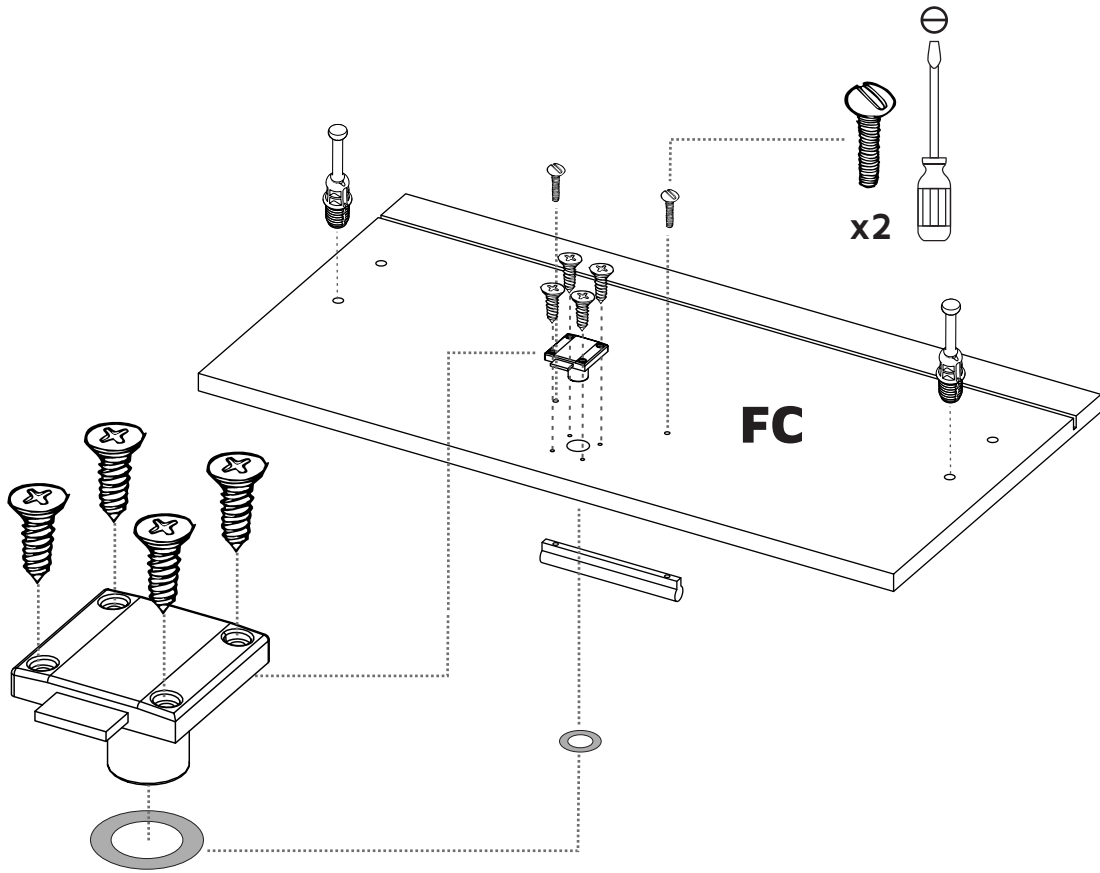
25



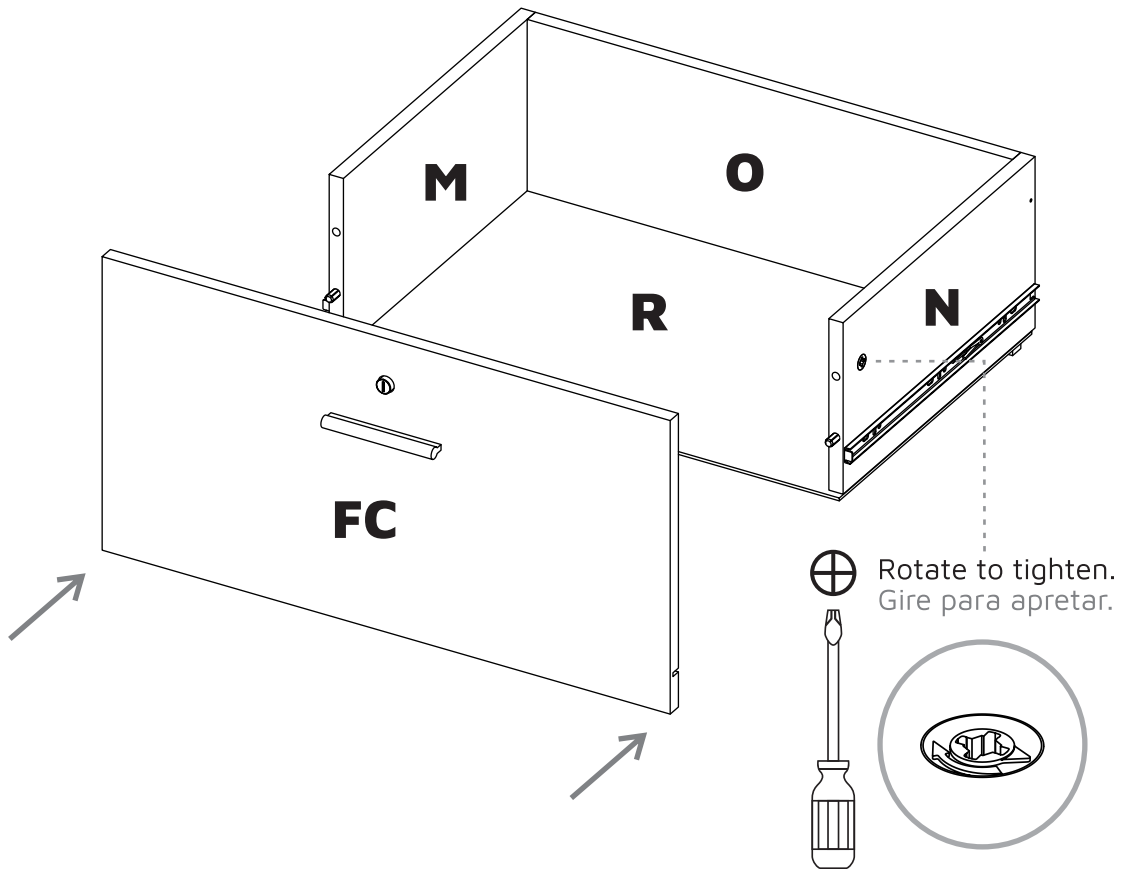
26



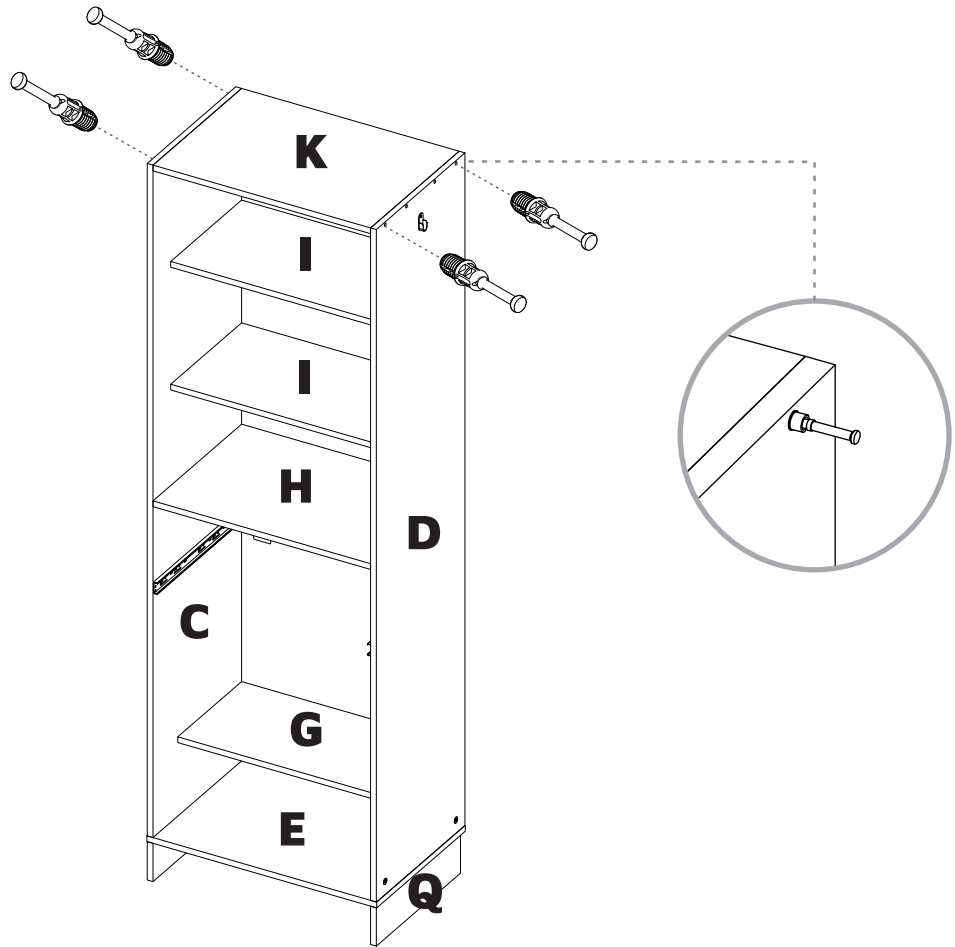
27



28



29

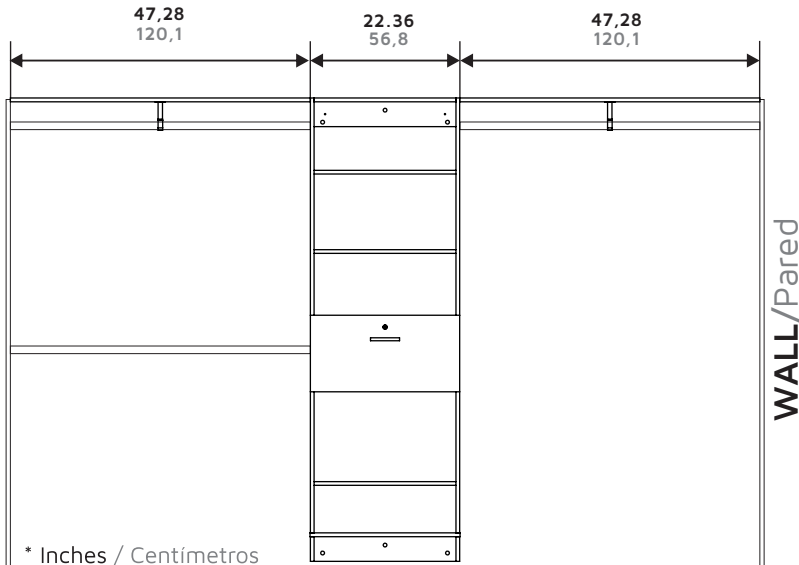


30

BEFORE YOU CONTINUE THE ASSEMBLY, MEASURE THE SPACE WHERE YOU ARE GOING TO PUT THE CLOSET AND CUT PIECES A AND B, AND OVAL TUBES IF NECESSARY, FOR THIS TAKE AS A GUIDE THE FIGURE BELOW
ANTES DE CONTINUAR CON EL ENSAMBLE, MIDA EL ESPACIO DONDE VA A PONER EL CLOSET Y CORTE LAS PIEZAS A Y B, Y LOS TUBOS OVALADOS SI ES NECESARIO, PARA ESTO TOMA COMO GUIA LA FIGURA DE ABAJO/

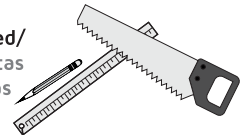


* Total Measures/ Medidas Totales



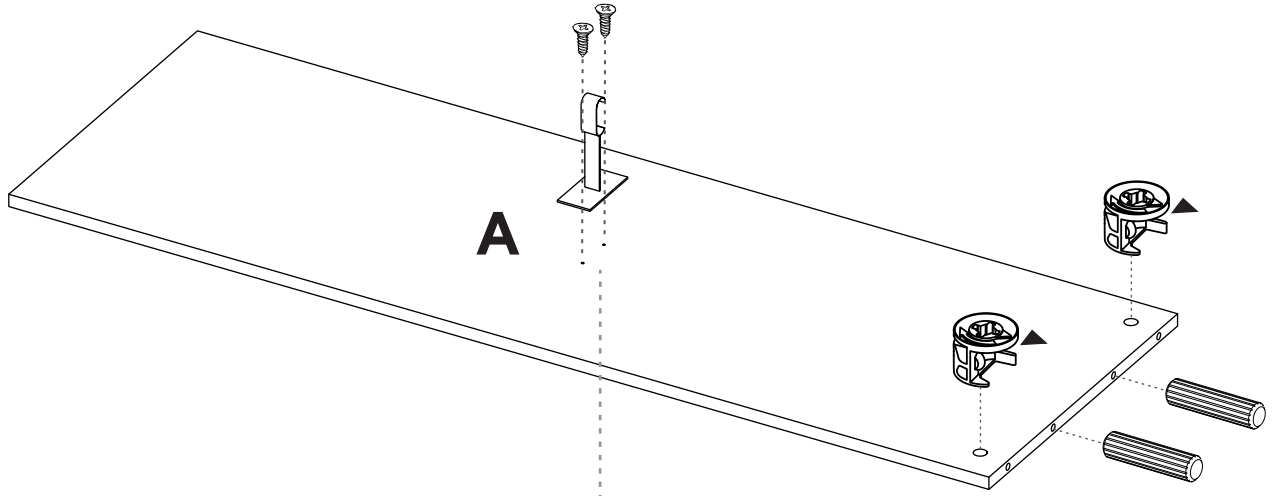
* Inches / Centímetros

* Tools not included/
Herramientas no incluidas

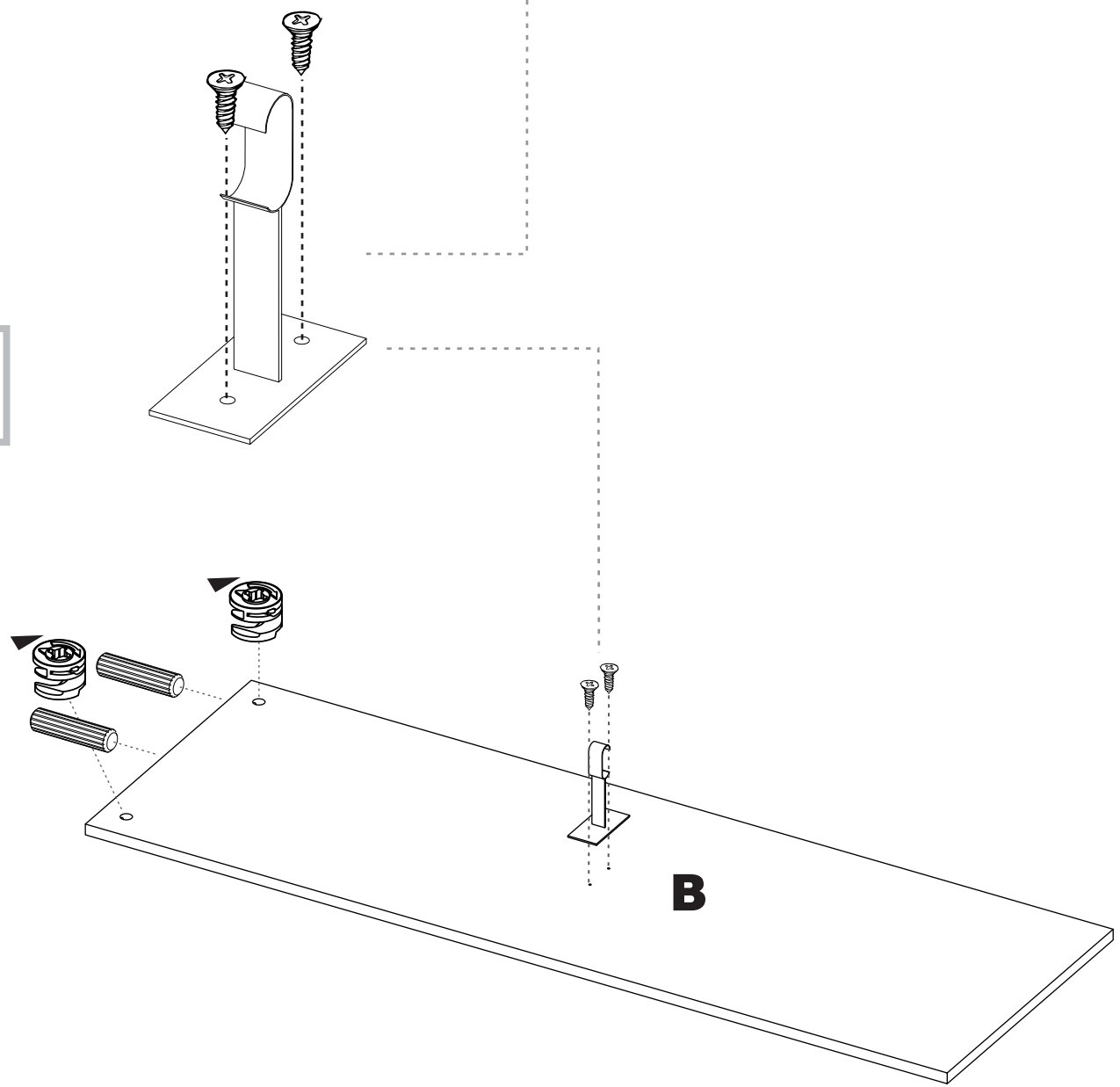


Use a pencil to mark the cutting of pieces A and B, then use the appropriate tools for cutting
 / Utilizar lapiz para marcar el corte de las piezas A y B, luego utilizar herramientas apropiadas para realizar el corte.

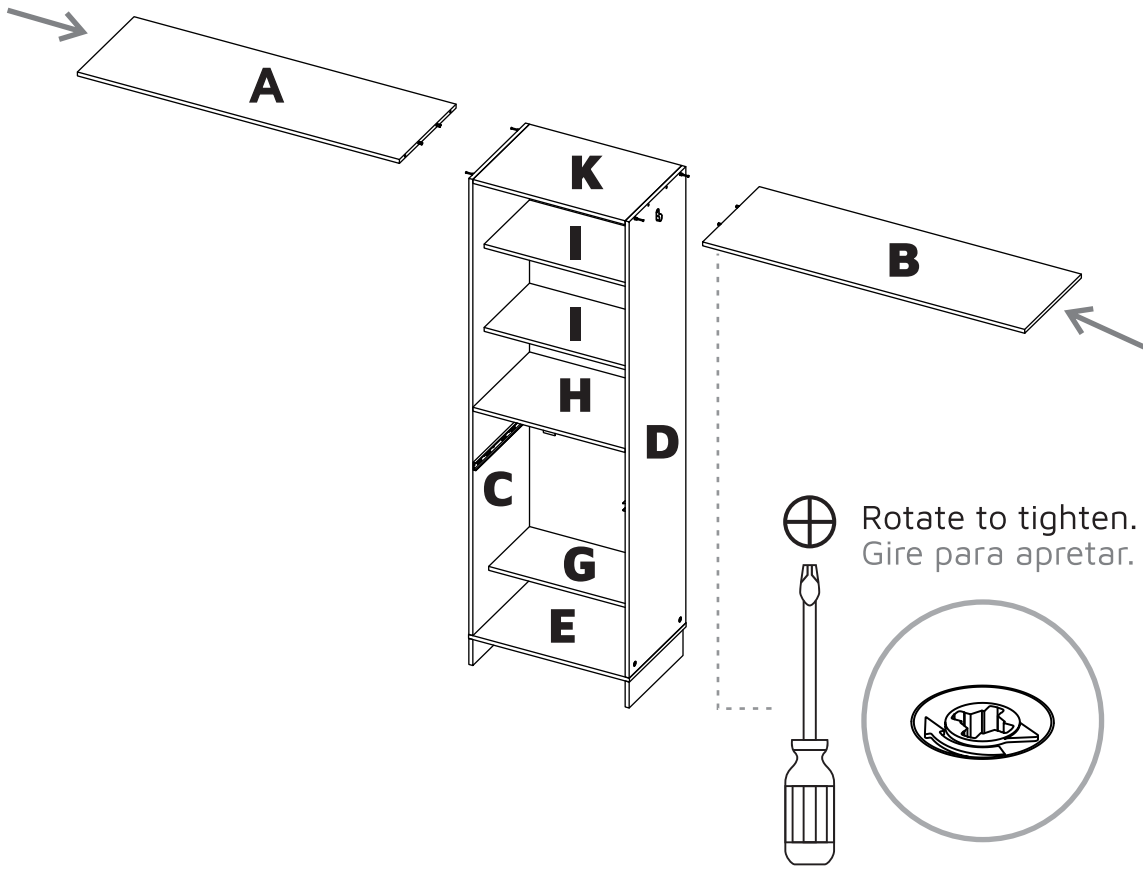
31



32

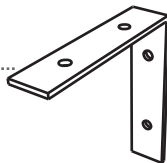
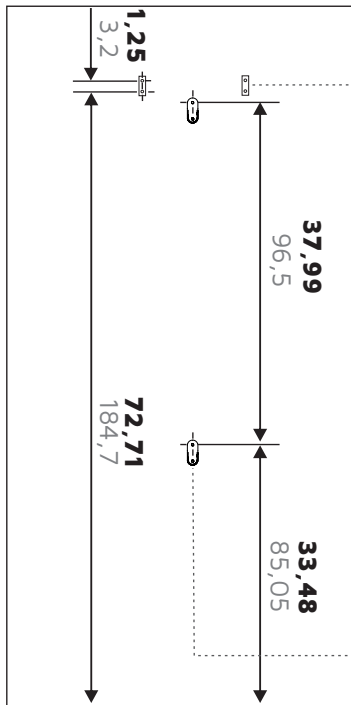


33








34

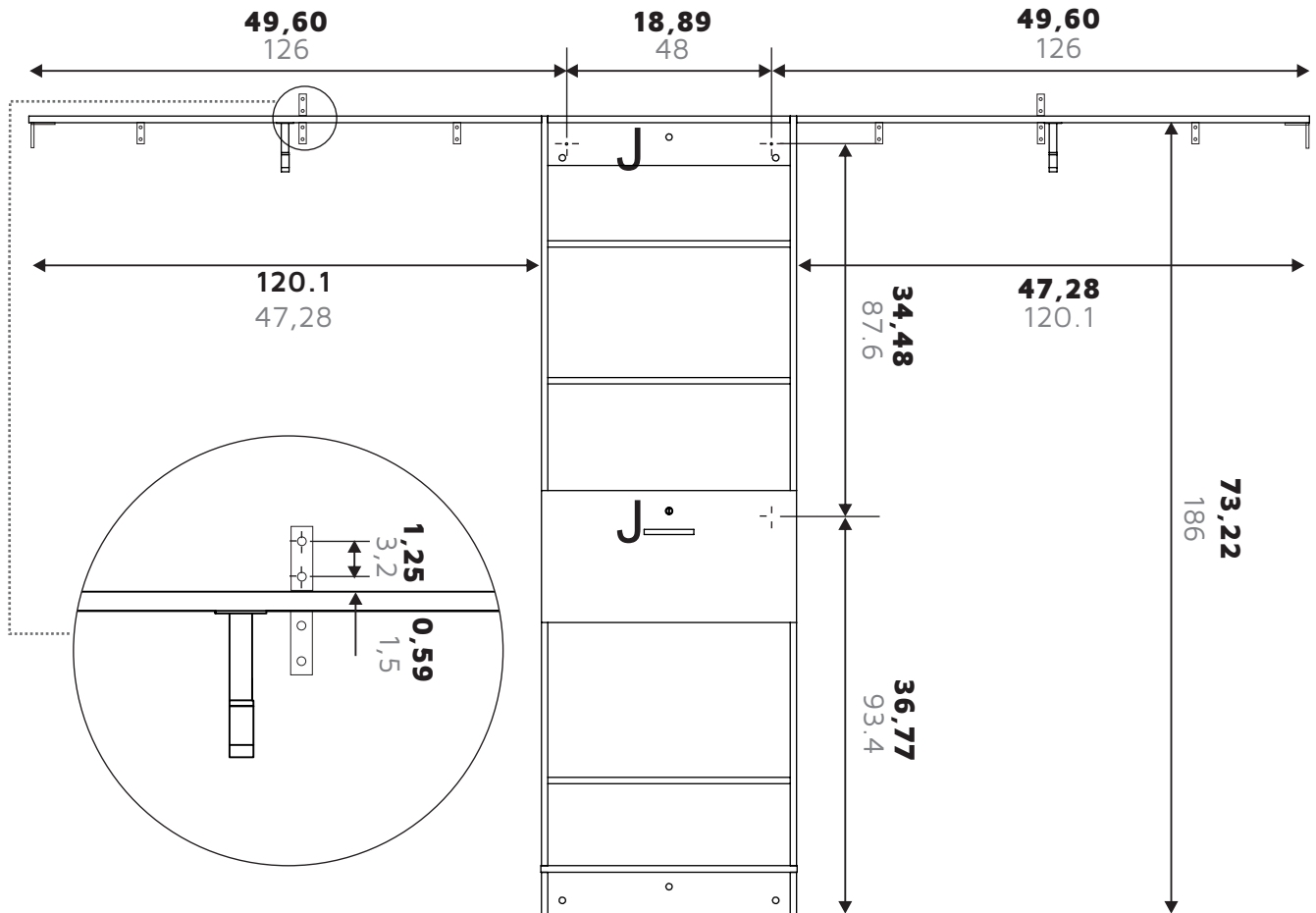
SIDE WALL
Pared Lateral



**DRILL HOLES
ON THE WALL TO
ANCHOR THE
ROD SUPPORTS
AND THE
WIDE BRACES/
TALADRE LOS
AGUJEROS EN
LA PARED PARA
ANCLAR EL SOPORTE
DEL TUBO Y LAS
CANTONERAS**

Fix your cabinet to the wall / Fija el mueble a la pared

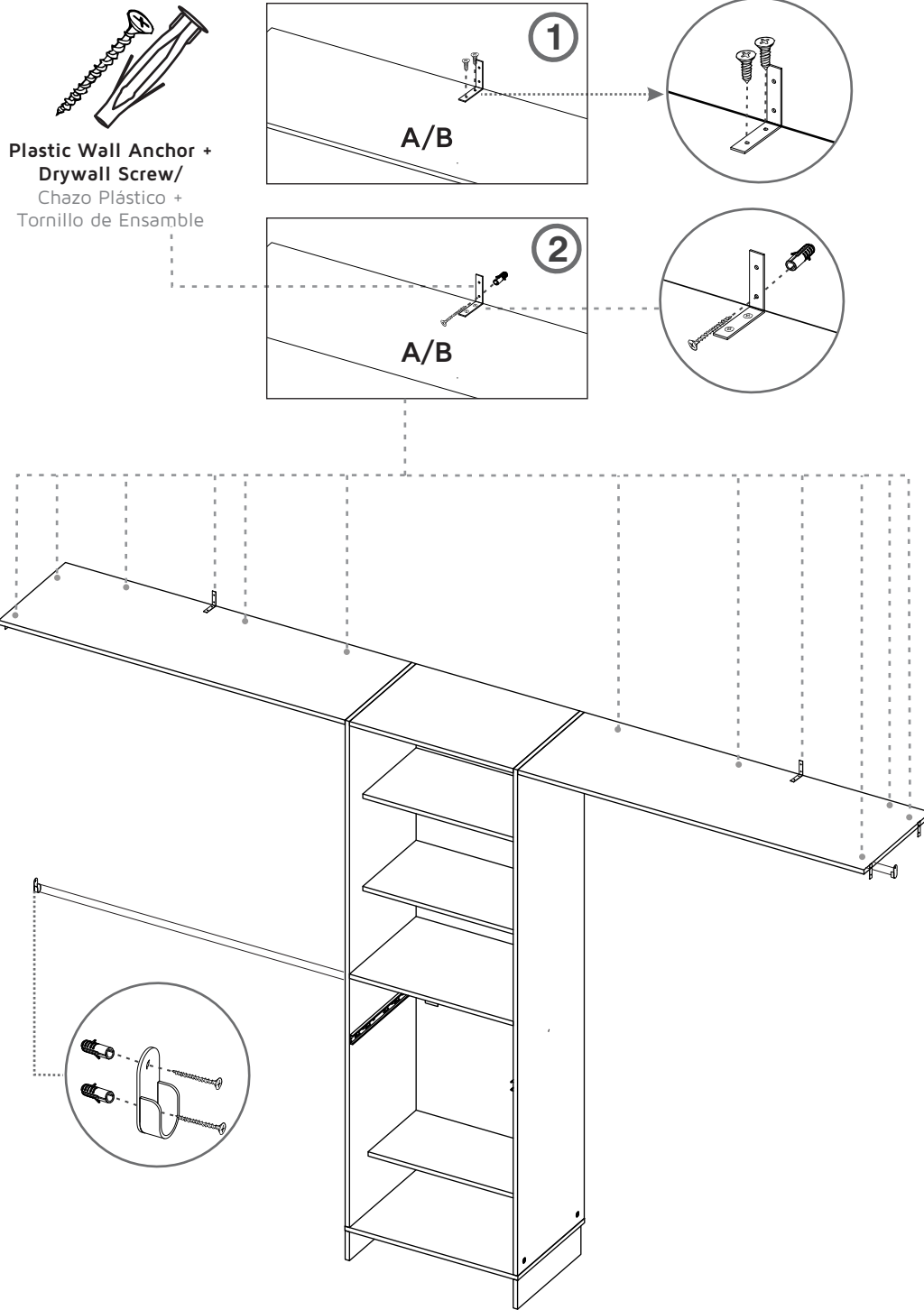
- 1 You must drill the bottoms guided by the holes in the structures with a 3/16" drill bit. 
Debes perforar los fondos guiandote de las perforaciones de las estructuras con una broca 3/16"
- 2 On the wall, measure and mark the points shown below. 
En la pared, mide y marca los puntos que te indicamos abajo.
- 3 Drill on the markings with a 5/16" drill bit. 
Debes perforar en los puntos con taladro y una broca de 5/16".
- 4 Insert the wall anchors inside the drillings. 
Inserta los chazos plásticos en las perforaciones.
- 5 Place the cabinet and secure it with the screws. 
Ubica el mueble y asegúralo con los tornillos.

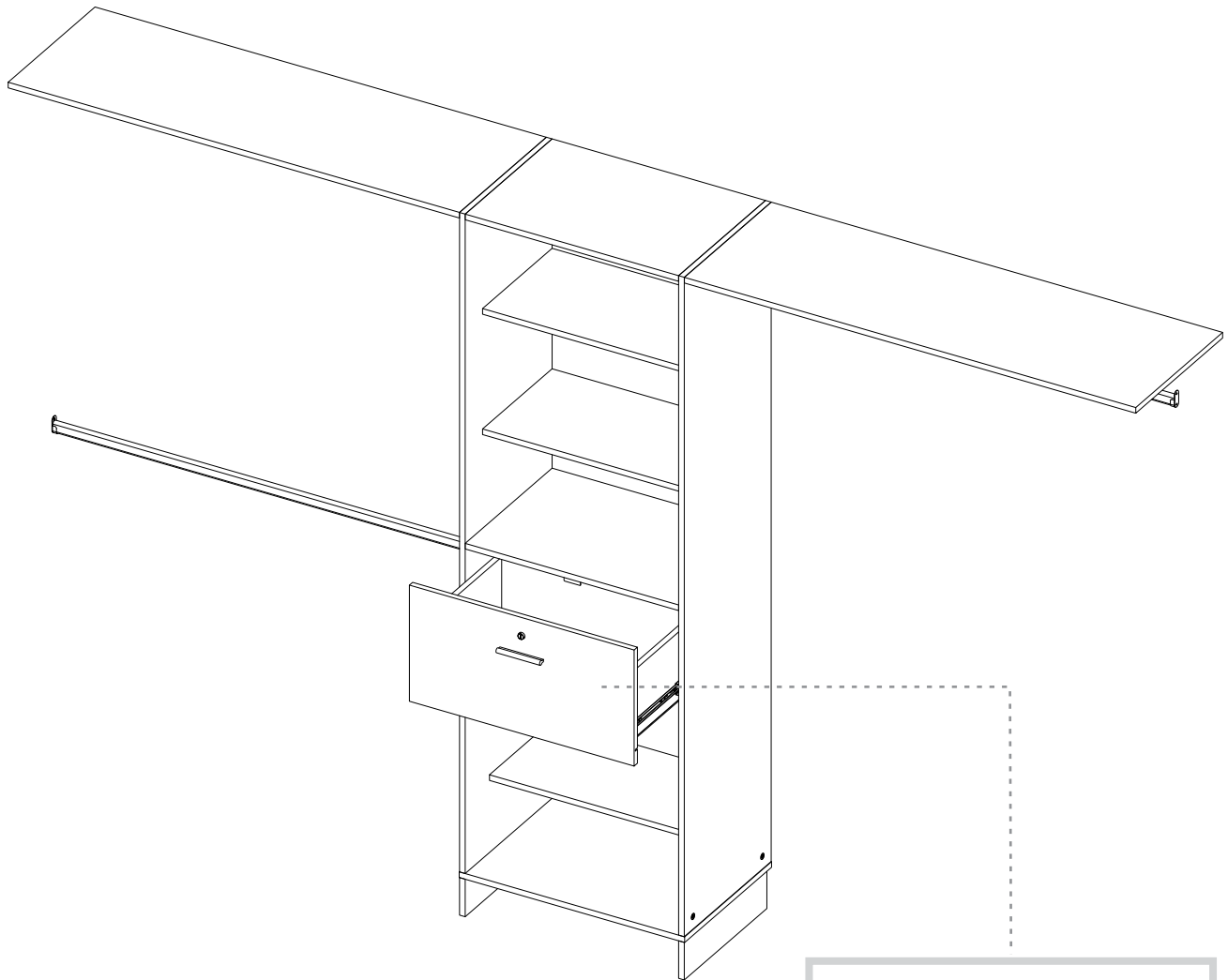


* Inches / Centímetros

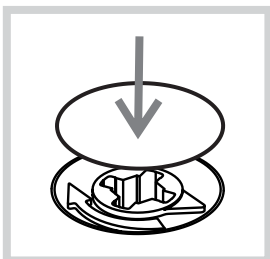
Seguir con el paso de anclaje a la pared en la siguiente pagina

Wall Anchoring / Anclaje a la pared





**Slide the drawer into
the cabinet** / Deslice el
cajón dentro del mueble



After you finish the adjustment
of the cams, cover them with
the cover caps.

Después de ajustar todas las
cajas minifix, cúbralas con las
tapas adhesivas.

A

After you finish assembling the
cabinet, take off the adhesive
letters.

Al terminar de armar, desprenda
las letras adhesivas.

WARRANTY POLICY

Furniture has a 1 year warranty coverage in wooden parts and hardware pieces since its manufacturing date, which you can see in the lot number printed on the product box and the assembly instructions leaflet.

Warranty covers materials and workmanship imperfections which impair the assembly or correct functioning of the cabinet.

This warranty is not valid if the defects or imperfections are caused by the incorrect following of the assembly instructions, warnings and recommendations, misuse, intentional damage, fire or flood, or after modifications or any kind of alteration, or repaired by someone not authorized, when it's been assembled 3 months after the date of purchase. These defects **MUST** be reported before the warranty coverage period ends. Once the product has been assembled, the company will not be responsible for defective and/or damaged parts.

This warranty is **ONLY** valid for the **ORIGINAL PURCHASER**, it doesn't apply if the product has been resold, rented, etc.

Furniture will take no liability for incidental or consequential damages caused to or by the product (This may not apply in your state).

To make this warranty valid you must write to our customer service email describing the product defect, lot number and submitting your sales receipt or proof of purchase, or contact us at our customer service line. Replaced parts will be under the product's original warranty coverage period. Damaged parts will become property of the company.

There are no other warranties applicable to this product.